

FRONT

LT10-C

V-504-C & VT-504-C

6BT5.9

USE ONLY CHAMPION ROAD MACHINERY APPROVED PARTS

EFFECTIVE SERIAL NUMBERS) 16224, 16245 TO 16805  
 NUMEROS) DE SERIE EFFECTIFS)  
 NUMEROS) DE SERIE EFFECTIVOS)

700 SERIES  
 SERIE 700

SECTION 8 PAGE 1  
 SECCION 8 PAGINA 1

ISSUE No. 1  
 N° D'ÉMISSION 1  
 N° DE EDICION 1 REVISION A

ENGINE MOUNTS, HOOD & PANELS

SEPTEMBER 1985

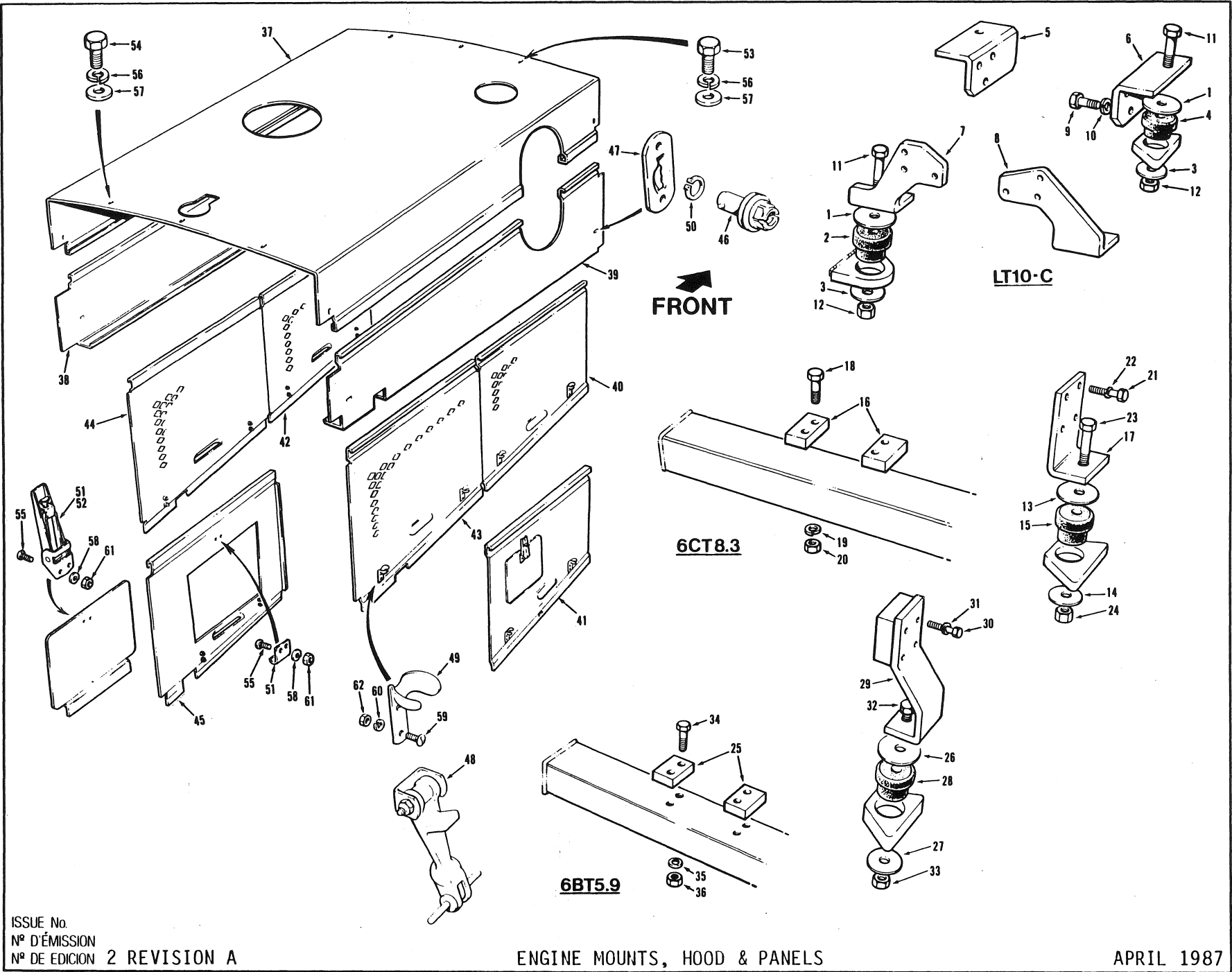
FOR LIST OF PARTS - TURN THIS PAGE

POUR LA LISTE DES PIÈCES - VOIR AU VERSO

PARA LA LISTA DE LAS PIEZAS - VER AL VERSO

SECTION SECCION	8	PAGE PAGINA	2	ISSUE No. N° D'ÉMISSION N° DE EDICION	1 REVISION A	ENGINE MOUNTS, HOOD & PANELS			SEPTEMBER 1985
No. N° N°	PART No. N° DE PIÈCE N° DE PIEZA	DESCRIPTION DESCRIPTION DESCRIPCION	No. REQ N° REQ. N° REQ.	REMARKS REMARQUES NOTAS	No. N° N°	PART No. N° DE PIECE N° DE PIEZA	DESCRIPTION DESCRIPTION DESCRIPCION	No. REQ N° REQ. N° REQ.	REMARKS REMARQUES NOTAS
<u>LT-10-C INSTALLATION</u>									
1	11968	WASHER	4			40070	HOOD	1	740 & 760
2	11970	RUBBER MOUNT - REAR	2			40232	HOOD	1	730
3	30075	WASHER	4		42	40674	HOOD	1	720
4	30081	RUBBER MOUNT - FRONT	2			40276	HOOD	1	710
5	41253	SUPPORT - FRONT L.H.	1			41021	HOOD	1	720
	41254	SUPPORT - FRONT R.H.	1			41022	HOOD A.W.D.	1	730
6	40837	SUPPORT - REAR - L.H.	1			41020	HOOD	1	710
7	40838	SUPPORT - REAR - R.H.	1		43	17829	INTERMEDIATE PANEL - L.H.	1	
8	50D-1012	BOLT	6		44	40071	INTERMEDIATE PANEL - R.H.	1	
9	14A-10	LOCKWASHER	6			41033	INTERMEDIATE PANEL - R.H.	1	A.W.D.
10	50A-1232	BOLT	4						
11	36C-12	LOCKNUT	4						
<u>V-504-C &amp; VT-504-C INSTALLATION</u>									
12	11968	WASHER	4			17962	LOWER PANEL - FRONT - R.H.	1	730, 740, 76
13	11970	RUBBER MOUNT	2			35229	LOWER PANEL - FRONT - R.H.	1	710 & 720
14	30075	WASHER	4		45	36341	LOWER PANEL - FRONT - R.H.	1	730 A.W.D.
15	30081	RUBBER MOUNT	2			30765	LOWER PANEL - FRONT - R.H.	1	710 A.W.D.
16	40174	SUPPORT - FRONT	2						720 A.W.D.
17	40175	SUPPORT - REAR	1		46	17963	LOWER PANEL - FRONT - L.H.	1	730, 740, 76
18	50A-0714	BOLT	4			35230	LOWER PANEL - FRONT - L.H.	1	710 & 720
19	14A-07	LOCKWASHER	4			36342	LOWER PANEL - FRONT - L.H.	1	730 A.W.D.
20	30A-07	NUT	4			30766	LOWER PANEL - FRONT - L.H.	1	710 A.W.D.
21	50D-0820	BOLT	8		47	17964	LOWER PANEL - REAR - R.H.	1	730, 740, 76
22	14A-08	LOCKWASHER	8			35231	LOWER PANEL - REAR - R.H.	1	710 & 720
23	51A-1228	BOLT	4			36343	LOWER PANEL - REAR - R.H.	1	730 A.W.D.
24	37C-12	LOCKNUT	4			30769	LOWER PANEL - REAR - R.H.	1	710 A.W.D.
<u>6BT5.9 INSTALLATION</u>									
25	11968	WASHER	4			19100	LOWER PANEL - REAR - R.H.	1	720 A.W.D.
26	30075	WASHER	4						RIPPER
27	30081	RUBBER MOUNT	4		48	17965	LOWER PANEL - REAR - L.H.	1	730, 740, 76
28	40252	SUPPORT - FRONT	2			35232	LOWER PANEL - REAR - L.H.	1	710 & 720
29	40527	SUPPORT - REAR - L.H.	1			36344	LOWER PANEL - REAR - L.H.	1	730 A.W.D.
30	40528	SUPPORT - REAR - R.H.	1			30770	LOWER PANEL - REAR - L.H.	1	710 A.W.D.
31	40538	SPACER	2						720 A.W.D.
32	350A-12075	BOLT	8		49	11161	GROMMET	A.R.	
33	350A-12100	BOLT	6		50	17042	FASTENER	2	
34	14A-08	LOCKWASHER	14		51	17044	CLIP	A.R.	
35	50A-0722	BOLT	A.R.		52	18288	FASTENER	2	
36	14A-07	LOCKWASHER	A.R.		53	18289	BRACKET	2	
37	30A-07	NUT	A.R.		54	18799	GRIP RING	2	
38	50A-1232	BOLT	2		55	50A-0506	BOLT	A.R.	
39	36C-12	LOCKNUT	2		56	14A-05	LOCKWASHER	A.R.	
40	51A-1232	BOLT	4		57	14C-05	FLATWASHER	A.R.	
41	37C-12	LOCKNUT	4		58	53L-1004	MACHINE SCREW	4	
					59	14F-10	LOCKWASHER	4	
					60	33A-10	NUT	4	

CHAMPION ROAD MACHINERY



EFFECTIVE SERIAL NUMBERS) 16806 & UP  
 NUMÉRO(S) DE SÉRIE EFFECTIF(S)  
 NUMERO(S) DE SERIE EFFECTIVO(S)  
 U.S. 2419-2 & UP

700 SERIES  
 SERIE 700

SECTION 8 PAGE 1  
 SECCION 8 PAGINA 1

ISSUE No.  
 N° D'ÉMISSION  
 N° DE EDICION 2 REVISION A

ENGINE MOUNTS, HOOD & PANELS

APRIL 1987

FOR LIST OF PARTS - TURN THIS PAGE

POUR LA LISTE DES PIÈCES - VOIR AU VERSO

PARA LA LISTA DE LAS PIEZAS - VER AL VERSO

USE ONLY CHAMPION ROAD MACHINERY APPROVED PARTS

SECTION SECCION	PAGE PAGINA	ISSUE No. N° D'ÉMISSION N° DE EDICION	ENGINE MOUNTS, HOOD & PANELS		APRIL 1987					
8	2	2 REVISION A								
No. N° N°	PART No. N° DE PIECE N° DE PIEZA	DESCRIPTION DÉSCRIPTION DESCRIPCION	No. REQ. N° REQ. N° REQ.	REMARKS REMARQUES NOTAS	No. N° N°	PART No. N° DE PIECE N° DE PIEZA	DESCRIPTION DÉSCRIPTION DESCRIPCION	No. REQ. N° REQ. N° REQ.	REMARKS REMARQUES NOTAS	
<u>L-10-C INSTALLATION</u>					<u>HOODS AND PANELS</u>					
1	11968	WASHER	4		37	40276	HOOD	1	6BT5.9	
2	11970	RUBBER MOUNT - REAR	2			41806	HOOD	1	6CT8.3	
3	30075	WASHER	4			42372	HOOD	1	L-10-C	
4	30081	RUBBER MOUNT - FRONT	2		38	17829	INTERMEDIATE PANEL - L.H.	1		
5	41253	SUPPORT - FRONT - L.H.	1			39	40071	INTERMEDIATE PANEL - R.H.	1	710, 720, 730
6	41254	SUPPORT - FRONT - R.H.	1				41033	INTERMEDIATE PANEL - R.H.	1	A.W.D.
7	40837	SUPPORT - REAR - L.H.	1				42373	INTERMEDIATE PANEL - R.H.	1	740 & 780
8	40838	SUPPORT - REAR - R.H.	1		40	17962	LOWER PANEL - FRONT - R.H.	1	740 & 780	
9	50D-1012	BOLT	6			41	*45152	LOWER ACCESS PANEL - FRONT - R.H.	1	730
10	14A-10	LOCKWASHER	6		*45141		LOWER ACCESS PANEL - FRONT - R.H.	1	710 & 720	
11	50A-1232	BOLT	4		*45153		LOWER ACCESS PANEL - FRONT - R.H.	1	730 A.W.D.	
12	*36N-12	LOCKNUT	4		*45142		LOWER ACCESS PANEL - FRONT - R.H.	1	710 A.W.D. 720 A.W.D.	
<u>6CT8.3 INSTALLATION</u>					42	17963	LOWER PANEL - FRONT - L.H.	1	730, 740, 780	
13	11968	WASHER	2			35230	LOWER PANEL - FRONT - L.H.	1	710 & 720	
14	30075	WASHER	2			41416	LOWER PANEL - FRONT - L.H.	1	730 A.W.D.	
15	30081	RUBBER MOUNT - FRONT	2			30766	LOWER PANEL - FRONT - L.H.	1	710 A.W.D. 720 A.W.D.	
16	42861	PAD	2		43	*45785	LOWER PANEL - REAR - R.H.	1	780	
17	*45110	SUPPORT - FRONT	2			17964	LOWER PANEL - REAR - R.H.	1	730 & 740	
18	50A-0722	BOLT	4			35231	LOWER PANEL - REAR - R.H.	1	710 & 720	
19	14A-07	LOCKWASHER	4			41417	LOWER PANEL - REAR - R.H.	1	730 A.W.D.	
20	30A-07	LOCKNUT	4		30769	LOWER PANEL - REAR - R.H.	1	710 A.W.D. 720 A.W.D.		
21	350A-12040	BOLT	4		44	19100	LOWER PANEL - REAR - R.H.	1	720 A.W.D. RIPPER	
22	*314A-12	LOCKWASHER	4			45	17965	LOWER PANEL - REAR - L.H.	1	730
23	50A-1232	BOLT	4		35232		LOWER PANEL - REAR - L.H.	1	710 & 720	
24	*36N-12	LOCKNUT	4		41418		LOWER PANEL - REAR - L.H.	1	730 A.W.D.	
					30770		LOWER PANEL - REAR - L.H.	1	710 A.W.D. 720 A.W.D.	
<u>6BT5.9 INSTALLATION</u>					46	19101	LOWER PANEL - REAR - L.H.	1	720 A.W.D. RIPPER	
25	42861	PAD	2			47	*45143	LOWER ACCESS PANEL - REAR - L.H.	1	740
26	11968	WASHER	2		*45782		LOWER ACCESS PANEL - REAR - L.H.	1	780	
27	30075	WASHER	2		48	17042	FASTENER	2		
28	30081	RUBBER MOUNT	2			17044	CLIP	A.R.	REPAIR PART	
29	40252	SUPPORT - FRONT	2			18288	FASTENER	2		
						18289	BRACKET	2		
30	350A-12075	BOLT	8		18799	GRIP RING	2			
31	*314A-12	LOCKWASHER	8		51	*19278	STRIKE-CAMLOCK	1		
32	50A-1232	BOLT	2		52	*19279	LATCH	1		
33	*36N-12	LOCKNUT	2		53	50A-0506	BOLT	7		
34	*50A-0718	BOLT	4		54	*50A-0508	BOLT	7		
35	14A-07	LOCKWASHER	4		55	*52L-0604	SCREW	4		
36	30A-07	NUT	4		56	14A-05	LOCKWASHER	14		
					57	14C-05	FLATWASHER	14		
					58	*14F-06	LOCKWASHER	4		
					59	53L-1004	SCREW	4		
					60	14F-10	LOCKWASHER	4		
					61	*32A-06	NUT	4		
					62	33A-10	NUT	4		

EFFECTIVE SERIAL NUMBER(S) 18916 TO 18918, 18923  
 NUMEROS(S) DE SÉRIE EFFECTIFS(T) TO 18930, 18970 & UP  
 NUMEROS(S) DE SERIE EFECTIVOS(I)S

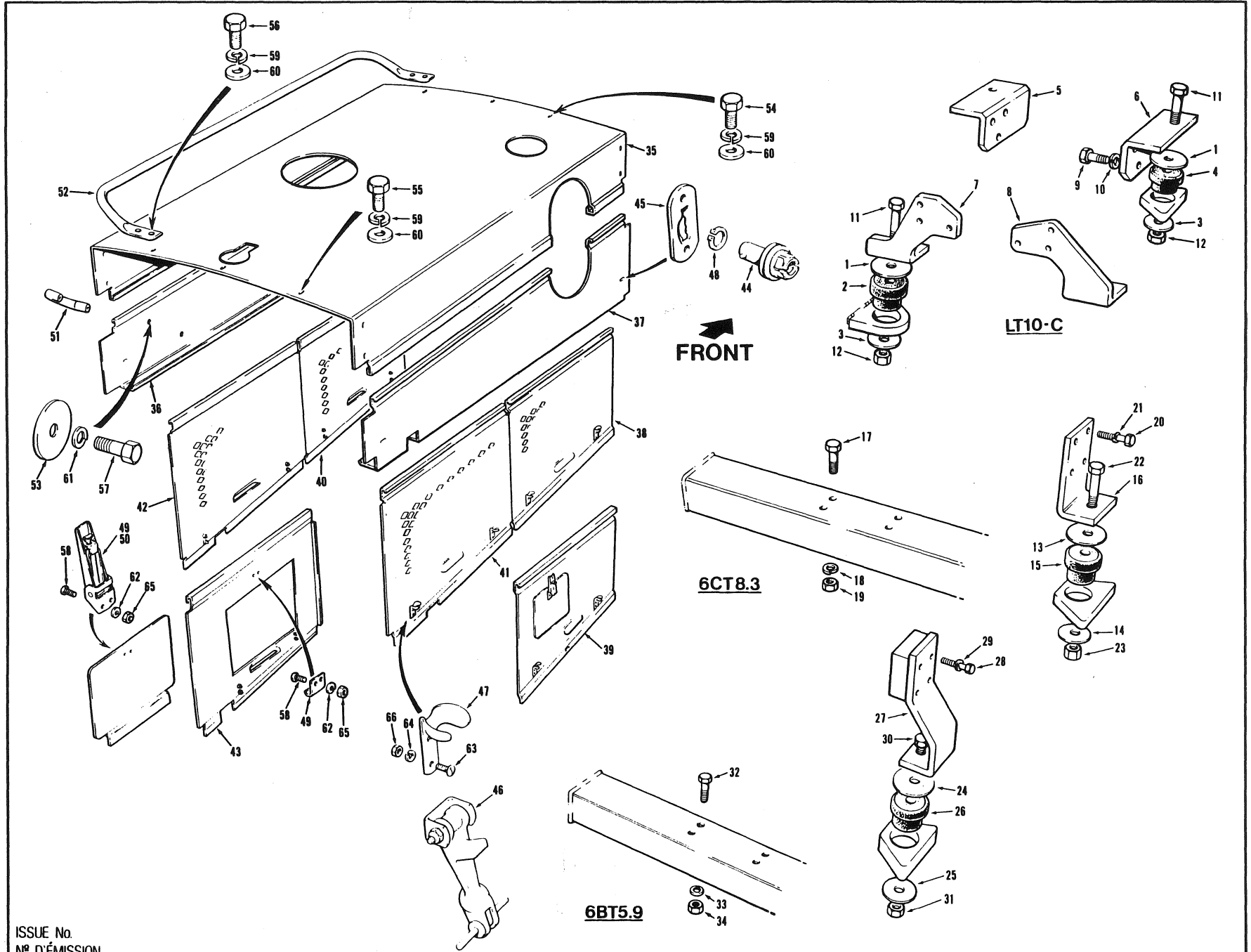
700 SERIES  
 SERIE 700

SECTION 8  
 SECTION

PAGE 1  
 PAGINA

1

ISSUE No.  
 N° D'ÉMISSION  
 N° DE EDICION 3



ENGINE MOUNTS, HOOD & PANELS

SEPTEMBER 1988

FOR LIST OF PARTS - TURN THIS PAGE

POUR LA LISTE DES PIÈCES - VOIR AU VERSO

PARA LA LISTA DE LAS PIEZAS - VER AL VERSO

USE ONLY CHAMPION ROAD MACHINERY APPROVED PARTS

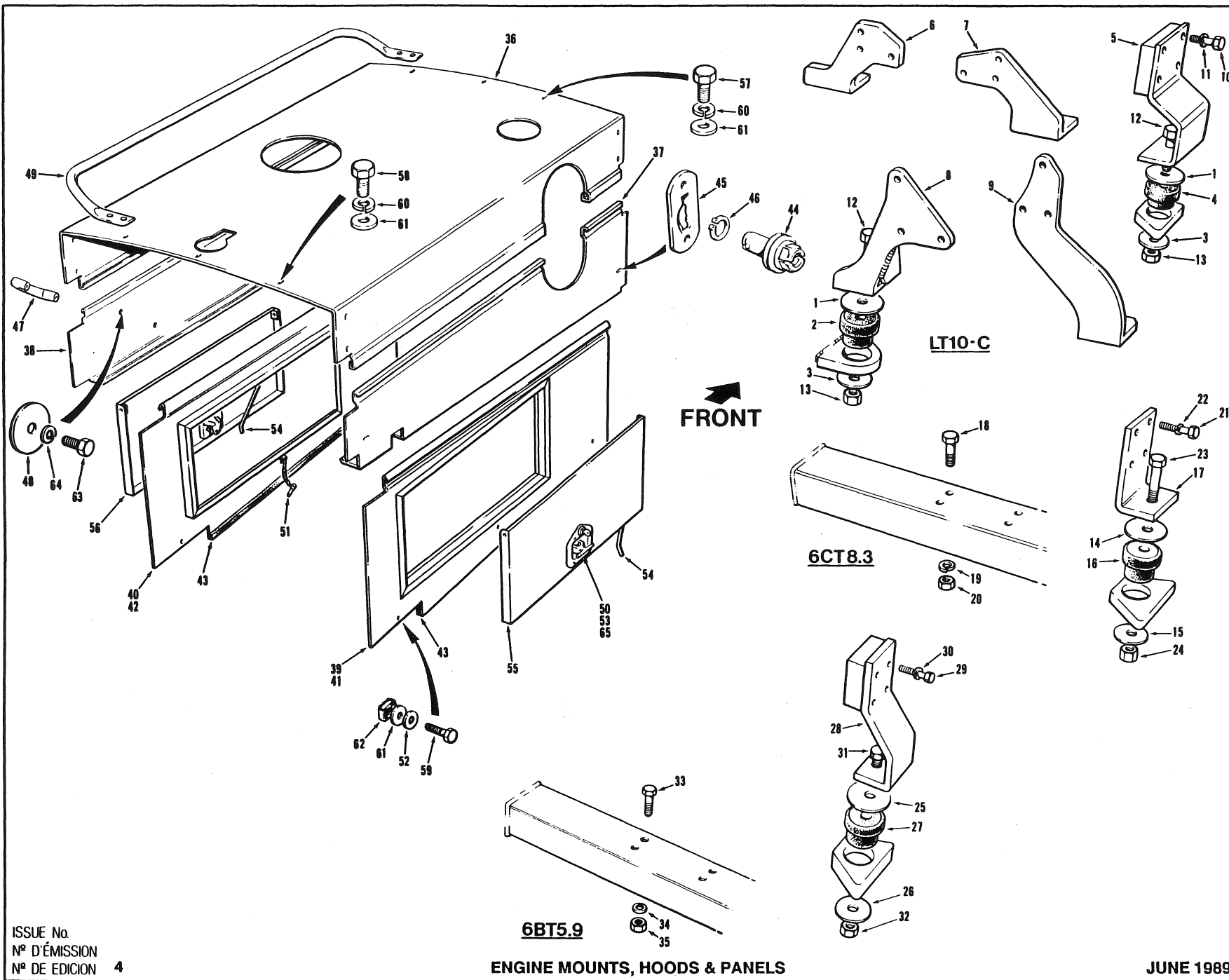
SECTION SECCION	PAGE PAGINA	ISSUE No. N° D'ÉMISSION N° DE EDICION	ENGINE MOUNTS, HOOD & PANELS				SEPTEMBER 1988		
No. N° N°	PART No. N° DE PIÈCE N° DE PIEZA	DESCRIPTION DÉSCRIPTION DESCRIPCION	No. REQ. N° REQ. N° REQ.	REMARKS REMARQUES NOTAS	No. N° N°	PART No. N° DE PIECE N° DE PIEZA	DESCRIPTION DÉSCRIPTION DESCRIPCION	No. REQ. N° REQ. N° REQ.	REMARKS REMARQUES NOTAS
<u>L-10-C INSTALLATION</u>									
1	11968	WASHER	4		36	*48654	INTERMEDIATE PANEL - L.H.	1	
2	11970	RUBBER MOUNT - REAR	2		37	40071	INTERMEDIATE PANEL - R.H.	1	710, 720, 730
3	30075	WASHER	4			41033	INTERMEDIATE PANEL - R.H.	1	A.W.D.
4	30081	RUBBER MOUNT - FRONT	2			42373	INTERMEDIATE PANEL - R.H.	1	740, 750, 780
5	41253	SUPPORT - FRONT - L.H.	1		38	17962	LOWER PANEL - FRONT - R.H.	1	740, 750, 780
6	41254	SUPPORT - FRONT - R.H.	1			39	45152	LOWER ACCESS PANEL - FRONT - R.H.	1
7	40837	SUPPORT - REAR - L.H.	1		45141		LOWER ACCESS PANEL - FRONT - R.H.	1	710 & 720
8	40838	SUPPORT - REAR - R.H.	1		45153		LOWER ACCESS PANEL - FRONT - R.H.	1	730 A.W.D.
9	50D-1012	BOLT	6		45142		LOWER ACCESS PANEL - FRONT - R.H.	1	710 A.W.D.
10	14A-10	LOCKWASHER	6		40	17963	LOWER PANEL - FRONT - L.H.	1	720 A.W.D.
11	50A-1232	BOLT	4			35230	LOWER PANEL - FRONT - L.H.	1	750, 780
12	36N-12	LOCKNUT	4		41416	LOWER PANEL - FRONT - L.H.	1	710 & 720	
<u>6CT8.3 INSTALLATION</u>									
13	11968	WASHER	2		41	30766	LOWER PANEL - FRONT - L.H.	1	730 A.W.D.
14	30075	WASHER	2			45785	LOWER PANEL - REAR - R.H.	1	720 A.W.D.
15	30081	RUBBER MOUNT - FRONT	2			17964	LOWER PANEL - REAR - R.H.	1	780
16	45110	SUPPORT - FRONT	2		35231	LOWER PANEL - REAR - R.H.	1	730 & 740	
17	50A-0722	BOLT	4		42	41417	LOWER PANEL - REAR - R.H.	1	710 & 720
18	14A-07	LOCKWASHER	4			30769	LOWER PANEL - REAR - R.H.	1	730 A.W.D.
19	30A-07	LOCKNUT	4			19100	LOWER PANEL - REAR - R.H.	1	710 A.W.D.
20	350A-12040	BOLT	4				17965	LOWER PANEL - REAR - L.H.	1
21	314A-12	LOCKWASHER	4		43	35232	LOWER PANEL - REAR - L.H.	1	730
22	50A-1232	BOLT	4			41418	LOWER PANEL - REAR - L.H.	1	710 & 720
23	36N-12	LOCKNUT	4			30770	LOWER PANEL - REAR - L.H.	1	730 A.W.D.
<u>6BT5.9 INSTALLATION</u>									
24	11968	WASHER	2		44	19101	LOWER PANEL - REAR - L.H.	1	710 A.W.D.
25	30075	WASHER	2			45143	LOWER ACCESS PANEL - REAR - L.H.	1	720 A.W.D.
26	30081	RUBBER MOUNT	2		45	45782	LOWER ACCESS PANEL - REAR - L.H.	1	RIPPER
27	40252	SUPPORT - FRONT	2			17042	FASTENER	2	740, 750
28	350A-12075	BOLT	8		17044	CLIP	A.R.	780	
29	314A-12	LOCKWASHER	8		18288	FASTENER	2	REPAIR PART	
30	50A-1232	BOLT	2		18289	BRACKET	2		
31	36N-12	LOCKNUT	2		18799	GRIP RING	2		
32	50A-0718	BOLT	4		19278	STRIKE-CAMLOCK	1		
33	14A-07	LOCKWASHER	4		19279	LATCH	1		
34	30A-07	NUT	4		51	*48653	GRAB HANDLE - INTERMEDIATE PANEL - L.H.	1	
<u>HOODS AND PANELS</u>									
35	*48681	HOOD	1	6BT5.9		52	*48679	GRAB HANDLE - HOOD	1
	*48682	HOOD	1	6CT8.3		53	*48656	BACK UP WASHER	2
	*48683	HOOD	1	L-10-C		54	50A-0506	BOLT	6
						55	50A-0508	BOLT	6
						56	*50A-0512	BOLT	2
						57	*50A-0608	BOLT	2
						58	52L-0604	SCREW	4
						59	14A-05	LOCKWASHER	14
						60	14C-05	FLATWASHER	14
						61	*14A-06	LOCKWASHER	2
						62	14F-06	LOCKWASHER	4
						63	53L-1004	SCREW	4
						64	14F-10	LOCKWASHER	4
						65	32A-06	NUT	4
				66	33A-10	NUT	4		
					*48910	GRAB HANDLE KIT	A.R.		

CHAMPION ROAD MACHINERY

EFFECTIVE SERIAL NUMBER(S)  
 NUMEROS DE SERIE EFFECTIFS(S)  
 NUMEROS DE SERIE EFFECTIVOIS(S)

700 SERIES  
 SERIE 700

SECTION 8  
 SECTION 8  
 PAGE 1  
 PAGINA 1



ISSUE No.  
 N° D'ÉMISSION  
 N° DE EDICION 4

ENGINE MOUNTS, HOODS & PANELS

JUNE 1989

COU LIST DE PARTS - THOM THIS PAGE      DOUD LA LISTE DES PIÈCES - VOIR AU VERSO      PARA LA LISTA DE LAS PIEZAS - VER AL VERSO

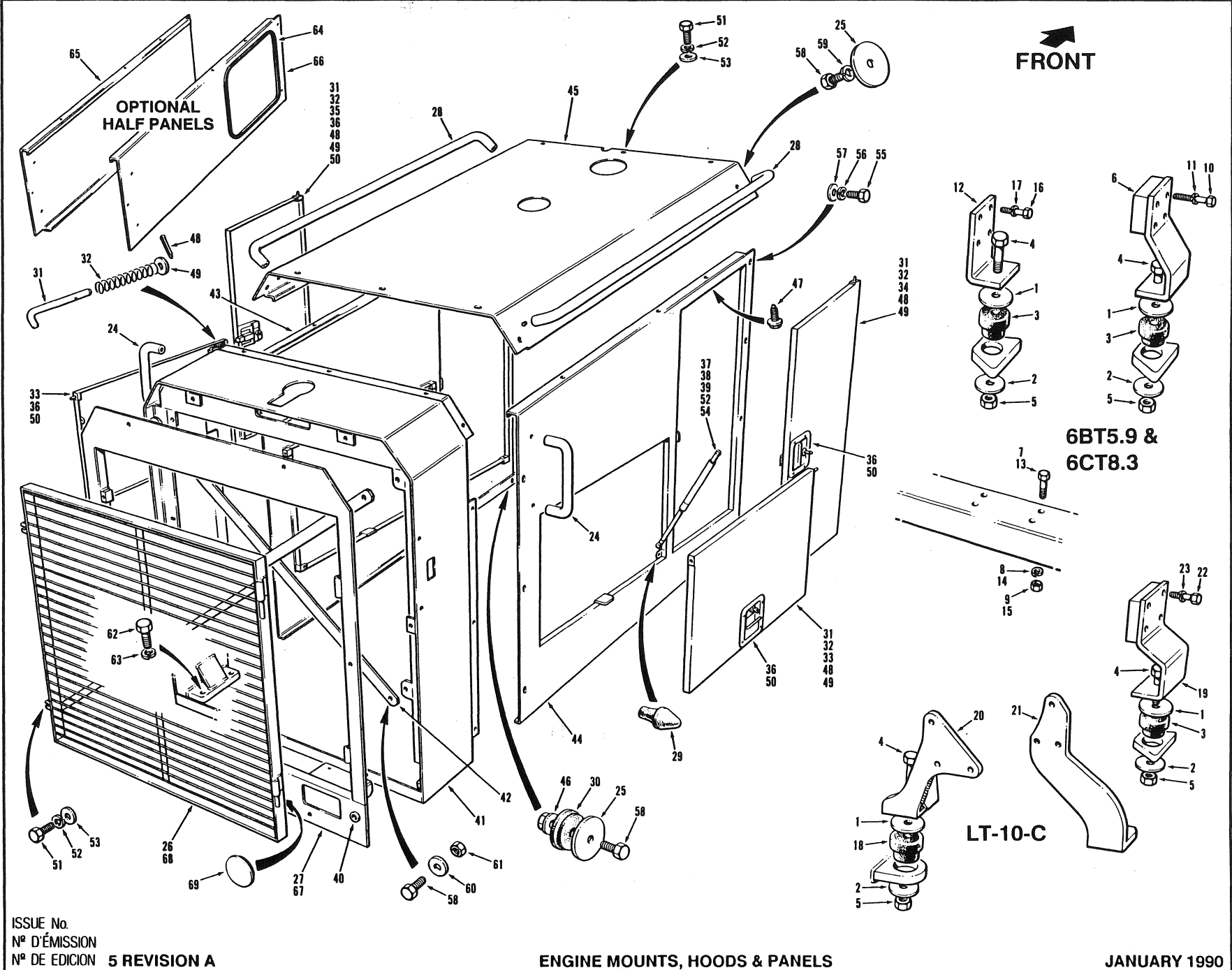
USE ONLY CHAMPION ROAD MACHINERY APPROVED PARTS

SECTION 8		PAGE 2		ISSUE No. 4		ENGINE MOUNTS, HOOD & PANELS			JUNE 1989	
No. N° N°	PART No. N° DE PIÈCE N° DE PIEZA	DESCRIPTION DÉSCRIPTION DESCRIPCION	No. REQ. N° REQ. N° REQ.	REMARKS REMARQUES NOTAS	No. N° N°	PART No. N° DE PIÈCE N° DE PIEZA	DESCRIPTION DÉSCRIPTION DESCRIPCION	No. REQ. N° REQ. N° REQ.	REMARKS REMARQUES NOTAS	
<b>L-10-C INSTALLATION</b>										
1	11968	WASHER	4							
2	11970	RUBBER MOUNT - REAR	2		36	48681	HOOD	1	6BT5.9	
3	30075	WASHER	4			48682	HOOD	1	6CT8.3	
4	30081	RUBBER MOUNT - FRONT	2			48683	HOOD	1	L-10-C 1.5	
5	*48614	SUPPORT - FRONT	2							
6	40837	SUPPORT - L.H.	1	UP TO	37	40071	INTERMEDIATE PANEL - R.H.	1	710 thru 730A	
7	40838	SUPPORT - R.H.	1	S/N 19884		41033	INTERMEDIATE PANEL - R.H.	1	A.W.D.	
8	*53694	SUPPORT - L.H.	1	S/N 19885		42373	INTERMEDIATE PANEL - R.H.	1	740 thru 780A	
9	*53760	SUPPORT - R.H.	1	& UP		48654	INTERMEDIATE PANEL - L.H.	1		
10	50A-1024	BOLT	8		39	*52052	LOWER PANEL - R.H.	1		
11	14A-10	LOCKWASHER	8		40	*52053	LOWER PANEL - L.H.	1		
12	50A-1232	BOLT	2		41	*52074	LOWER PANEL - R.H.	1	A.W.D.	
13	36N-12	LOCKNUT	2		42	*52076	LOWER PANEL - L.H.	1	A.W.D.	
<b>6CT8.3 INSTALLATION</b>										
14	11968	WASHER	2		43	*12736x49.12	STRIP - RUBBER	2		
15	30075	WASHER	2		44	17042	FASTENER	2		
16	30081	RUBBER MOUNT - FRONT	2		45	17044	CLIP	2		
17	45110	SUPPORT - FRONT	2		46	18799	CLIP RING	2		
18	50A-0722	BOLT	4		47	48653	GRAB HANDLE - INTERMEDIATE PANEL - L.H.	1		
19	14A-07	LOCKWASHER	4		48	48656	BACK-UP WASHER	2		
20	30A-07	NUT	4		49	48679	GRAB HANDLE - HOOD	1		
21	350A-12040	BOLT	4		50	*51079	GASKET	1		
22	314A-12	LOCKWASHER	4		51	*51097	LOCK PIN & CHAIN	2		
23	50A-1232	BOLT	4		52	*51117	RETAINER	1		
24	36N-12	LOCKNUT	2		53	*51537	DOOR HANDLE - C/W KEY	2		
<b>6BT5.9 INSTALLATION</b>										
25	11968	WASHER	2		54	*52032	LATCH	2		
26	30075	WASHER	2		55	*52036	DOOR - R.H. - C/W ITEM 50, 53, 54 & 65	1		
27	30081	RUBBER MOUNT	2		56	*52037	DOOR - L.H. - C/W ITEM 50, 53, 54 & 65	1		
28	40252	SUPPORT - FRONT	2		57	50A-0506ZI	BOLT	7		
29	350A-12075	BOLT	8		58	50A-0508ZI	BOLT	7		
30	314A-12	LOCKWASHER	8		59	*50A-0518ZI	BOLT	6		
31	50A-1232	BOLT	2		60	14A-05ZI	LOCKWASHER	20		
32	36N-12	LOCKNUT	2		61	14C-05ZI	FLATWASHER	20		
33	50A-0718	BOLT	4		62	*38A-0503	CAGE NUT	6	REPAIR PART	
34	14A-07	LOCKWASHER	4		63	50A-0608	BOLT	2		
35	30A-07	NUT	4		64	14A-06	LOCKWASHER	2		
					65	*76A-064	RIVET	8		



CHAMPION ROAD MACHINERY

FRONT



ISSUE No.  
 N° D'ÉMISSION  
 N° DE EDICION **5 REVISION A**

ENGINE MOUNTS, HOODS & PANELS

JANUARY 1990

FOR LIST OF PARTS - TURN THIS PAGE      POUR LA LISTE DES PIÈCES - VOIR AU VERSO      PARA LA LISTA DE LAS PIEZAS - VER AL VERSO

EFFECTIVE SERIAL NUMBER(S)    19982, 19984, 19985, 19996,  
 NUMEROS(D) DE SERIE EFFECTIF(S)    20005, 20227 to 20232,  
 NUMEROS(D) DE SERIE EFFECTIVO(S)    20265 to 20375, 20383 & UP

700 SERIES  
 SERIE 700

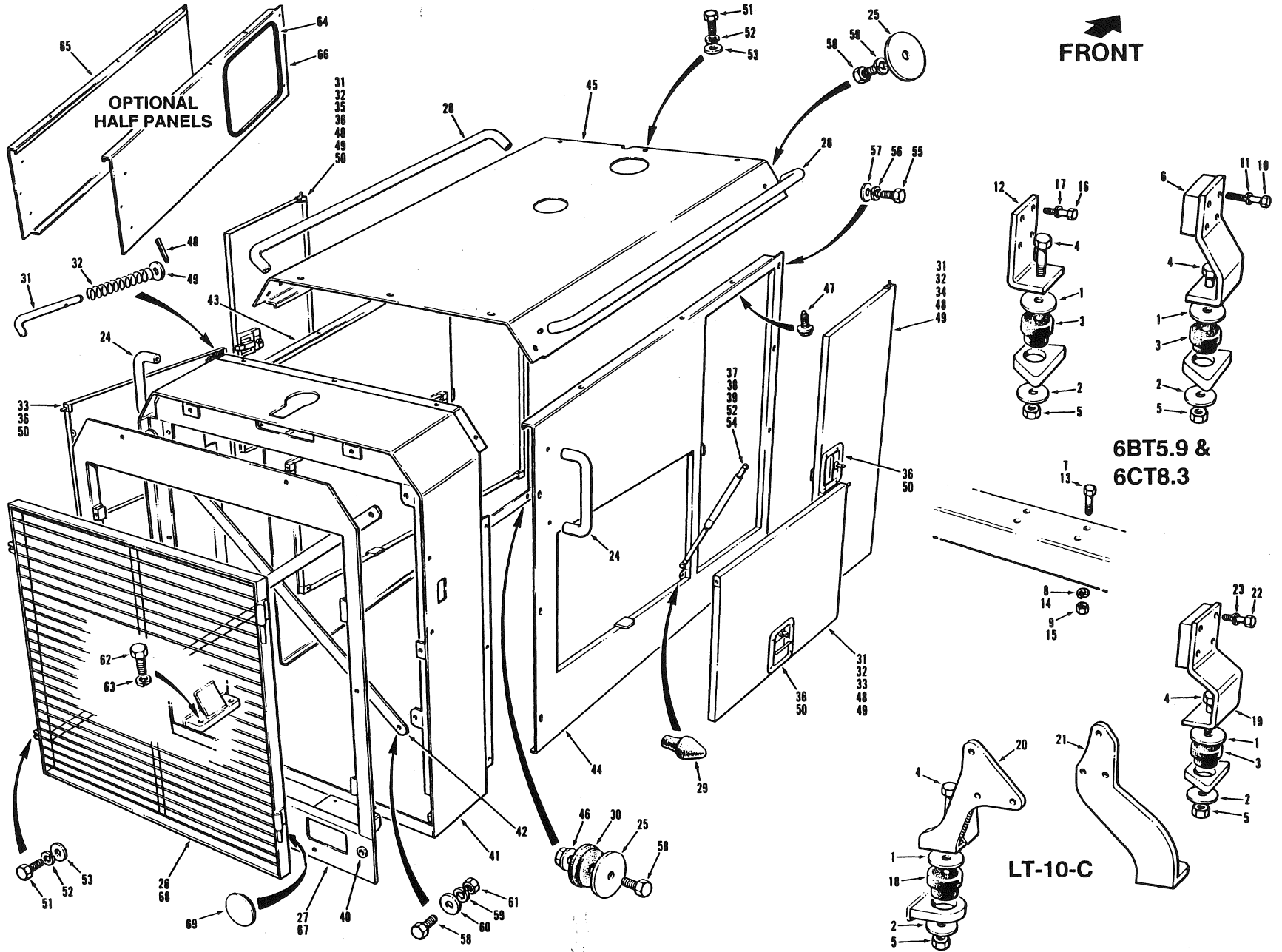
SECTION 8  
 SECCION 8  
 PAGE 1  
 PAGINA 1

USE ONLY CHAMPION ROAD MACHINERY APPROVED PARTS

SECTION SECCION	8	PAGE PAGINA	2	ISSUE No. N° D'ÉMISSION N° DE EDICION	5 REVISION A	ENGINE MOUNTS, HOODS & PANELS			JANUARY 1990
No. N° N°	PART No. N° DE PIÈCE N° DE PIEZA	DESCRIPTION DESCRIPTION DESCRIPCION	No. REQ. N° REQ. N° REQ.	REMARKS REMARQUES NOTAS	No. N° N°	PART No. N° DE PIÈCE N° DE PIEZA	DESCRIPTION DESCRIPTION DESCRIPCION	No. REQ. N° REQ. N° REQ.	REMARKS REMARQUES NOTAS
		<b>ENGINE MOUNTS</b>							
1	11968	WASHER	2 or 4		37	52867	CYLINDER ASSEMBLY	2	
2	30075	WASHER	2 or 4		38	52868	SWIVEL	4	
3	30081	RUBBER MOUNT - FRONT	2		39	52869	CLIP	4	
4	50A-1232	BOLT	2 or 4		40	52885	GROMMET	1	
5	36N-12	LOCKNUT	2 or 4		41	52991	RADIATOR FRAME	1	
6	40252	SUPPORT - FRONT	2 or 4		42	52992	STABILIZER BAR	2	
7	50A-0718	BOLT	2		43	54563	SIDE PANEL - L.H.	1	
8	14A-07	LOCKWASHER	4		44	54564	SIDE PANEL - R.H.	1	
9	30A-07	NUT	4	6BT5.9		54568	HOOD	1	6BT5.9
10	350A-12075	BOLT	4		45	54569	HOOD	1	6CT8.3
11	314A-12	LOCKWASHER	4			54570	HOOD	1	L-10-C
12	45110	SUPPORT - FRONT	8		46	54657	LOCKNUT	4	
13	50A-0722	BOLT	8		47	54658	SCREW	6	
14	14A-07	LOCKWASHER	2		48	13A-0212	COTTER PIN	4	
15	30A-07	NUT	4	6CT8.3	49	14D-05	FLATWASHER	4	
16	350A-12040	BOLT	4		50	75A-053	RIVET	16	
17	314A-12	LOCKWASHER	8		51	50A-0508	BOLT	18	
18	11970	RUBBER MOUNT - REAR	8		52	14A-05	LOCKWASHER	22	
19	48614	SUPPORT - FRONT	2		53	14C-05	FLATWASHER	18	
20	53694	SUPPORT - REAR - L.H.	2		54	30A-05	NUT	4	
21	53760	SUPPORT - REAR - R.H.	1	L-10-C	55	50A-0508zl	BOLT	12	
22	50A-1024	BOLT	1		56	14A-05zl	LOCKWASHER	12	
23	14A-10	LOCKWASHER	8		57	14C-05zl	FLATWASHER	12	
		<b>HOODS &amp; PANELS</b>			58	50A-0608	BOLT	16	
24	48653	GRAB HANDLE - SIDE PANEL	2		59	14A-06	LOCKWASHER	8	
25	*14C-06Zl	BACK-UP WASHER	12		60	14C-06	FLATWASHER	4	
26	52774	GRILLE DOOR	1		61	30A-06	NUT	4	
27	52780	GRILLE FRAME	1		62	50A-0812	BOLT	4	
28	52792	GRAB HANDLE - HOOD	2		63	14A-08	LOCKWASHER	4	
29	52811	BUMPER	8				<b>HALF PANELS INSTALLATION - OPTIONAL</b>		
30	52812	GROMMET	4		64	40839 x 63	TRIM	1	
31	52855	HINGE PIN	4		65	54706	SIDE PANEL - L.H.	1	
32	52857	SPRING	4		66	54707	SIDE PANEL - R.H.	1	
33	52860	DOOR ASSEMBLY - REAR - C/W ITEMS 31, 32, 36, 48, 49 & 50	2		67	*56126	GRILLE FRAME	1	
34	52861	DOOR ASSEMBLY - FRONT - R.H. C/W ITEMS 31, 32, 36, 48, 49 & 50	1		68	*56129	GRILLE DOOR	1	A.W.D.
35	52862	DOOR ASSEMBLY - FRONT - L.H. C/W ITEMS 31, 32, 36, 48, 49 & 50	1		69	*56172	PLUG	1	
36	52863	DOOR HANDLE - C/W KEY	4						

CHAMPION ROAD MACHINERY

FRONT



EFFECTIVE SERIAL NUMBERS) 20719 & UP  
 NUMEROSI DE SÉRIE EFFECTIFS) EXCLUDING 20731  
 NUMEROSI DE SERIE EFECTIVOS)

700 SERIES  
 SERIE 700

SECTION 8  
 SECCION 8  
 PAGE 1  
 PAGINA 1

ISSUE No.  
 N° D'ÉMISSION  
 N° DE EDICION 6

ENGINE MOUNTS, HOODS & PANELS

JULY 1990

FOR LIST OF PARTS - TURN THIS PAGE

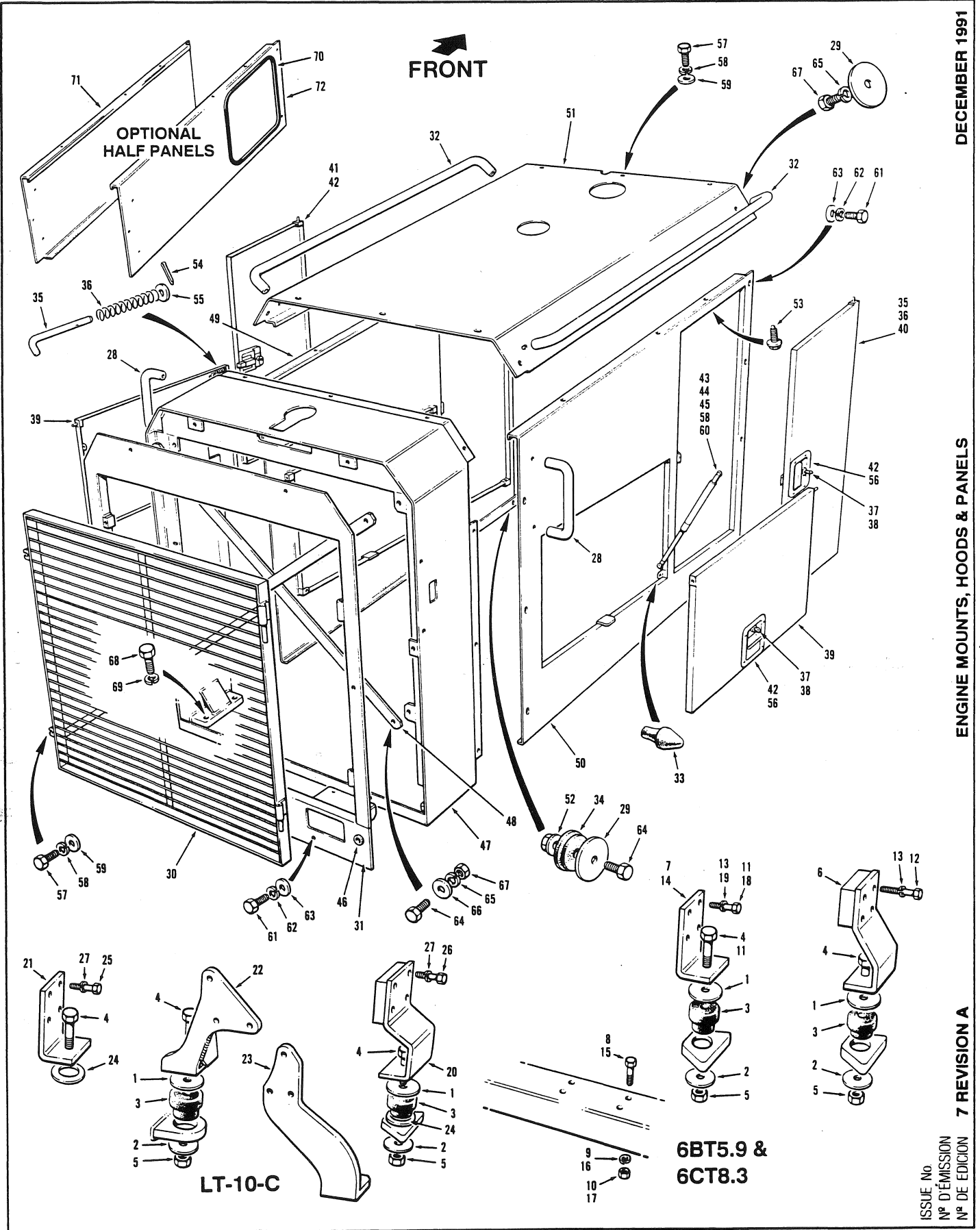
POUR LA LISTE DES PIÈCES - VOIR AU VERSO

PARA LA LISTA DE LAS PIEZAS - VER AL VERSO

USE ONLY CHAMPION ROAD MACHINERY APPROVED PARTS

SECTION SECCION		PAGE PAGINA		ISSUE No. N° D'ÉMISSION N° DE EDICION		ENGINE MOUNTS, HOODS & PANELS			JULY 1990		
No. N° N°	PART No. N° DE PIÈCE N° DE PIEZA	DESCRIPTION DÉSCRIPTION DESCRIPCION	No. REQ N° REQ. N° REQ.	REMARKS REMARQUES NOTAS	No. N° N°	PART No. N° DE PIECE N° DE PIEZA	DESCRIPTION DÉSCRIPTION DESCRIPCION	No. REQ N° REQ. N° REQ.	REMARKS REMARQUES NOTAS		
<b>ENGINE MOUNTS</b>											
1	11968	WASHER	2 or 4		37	*56033	CYLINDER ASSEMBLY	2			
2	30075	WASHER	2 or 4		38	52868	SWIVEL	4			
3	30081	RUBBER MOUNT - FRONT	2		39	52869	CLIP	4			
4	50A-1232	BOLT	2 or 4		40	52885	GROMMET	1			
5	36N-12	LOCKNUT	2 or 4		41	*56004	RADIATOR FRAME	1			
6	40252	SUPPORT - FRONT	2		42	52992	STABILIZER BAR	2			
7	50A-0718	BOLT	4	6BT5.9	43	54563	SIDE PANEL - L.H.	1	6BT/6CT		
8	14A-07	LOCKWASHER	4		44	*57052	SIDE PANEL - L.H.	1	L-10-C		
9	30A-07	NUT	4		45	54564	SIDE PANEL - R.H.	1			
10	350A-12075	BOLT	8		46	54568	HOOD	1	6BT5.9		
11	314A-12	LOCKWASHER	8		47	54569	HOOD	1	6CT8.3		
12	45110	SUPPORT - FRONT	2		48	54570	HOOD	1	L-10-C		
13	50A-0722	BOLT	4		49	54657	LOCKNUT	4			
14	14A-07	LOCKWASHER	4		47	54658	SCREW	6			
15	30A-07	NUT	4		48	13A-0212	COTTER PIN	4			
16	350A-12040	BOLT	8		49	14D-05	FLATWASHER	4			
17	314A-12	LOCKWASHER	8	6CT8.3	50	75A-053	RIVET	16			
18	11970	RUBBER MOUNT - REAR	2		51	50A-0508	BOLT	18			
19	48614	SUPPORT - FRONT	2		52	14A-05	LOCKWASHER	22			
20	53694	SUPPORT - REAR - L.H.	1		53	14C-05	FLATWASHER	18			
21	53760	SUPPORT - REAR - R.H.	1		54	30A-05	NUT	4			
22	50A-1024	BOLT	8		55	50A-0508zi	BOLT	12			
23	14A-10	LOCKWASHER	8		56	14A-05zi	LOCKWASHER	12			
<b>HOODS &amp; PANELS</b>											
24	48653	GRAB HANDLE - SIDE PANEL	2			57	14C-05zi	FLATWASHER	12		
25	14C-06zi	BACK-UP WASHER	12			58	50A-0608	BOLT	16		
26	52774	GRILLE DOOR	1		59	14A-06	LOCKWASHER	8			
27	*56009	GRILLE FRAME	1		60	14C-06	FLATWASHER	4			
28	52792	GRAB HANDLE - HOOD	2		61	30A-06	NUT	4			
29	52811	BUMPER	8		62	50A-0812	BOLT	4			
30	52812	GROMMET	4		63	14A-08	LOCKWASHER	4			
31	52855	HINGE PIN	4		<b>HALF PANELS INSTALLATION - OPTIONAL</b>						
32	52857	SPRING	4		64	40839 x 63	TRIM	1			
33	52860	DOOR ASSEMBLY - REAR	2	6BT/6CT	65	54706	SIDE PANEL - L.H.	1			
		- C/W ITEMS 31, 32, 36, 48, 49 & 50	1	L-10-C R.H.	66	54707	SIDE PANEL - R.H.	1			
		DOOR ASSEMBLY - REAR - L.H.	1	L-10-C	67	56126	GRILLE FRAME	1	A.W.D.		
34	52861	DOOR ASSEMBLY - FRONT - R.H.	1	68	56129	GRILLE DOOR	1				
- C/W ITEMS 31, 32, 36, 48, 49 & 50		1		69	56172	PLUG	1				
35	52862	DOOR ASSEMBLY - FRONT - L.H.	1	6BT/6CT							
		- C/W ITEMS 31, 32, 36, 48, 49 & 50	1	L-10-C							
36	52863	DOOR ASSEMBLY - FRONT - L.H.	1	L-10-C							
		- C/W ITEMS 31, 32, 36, 48, 49 & 50	4								

CHAMPION ROAD MACHINERY



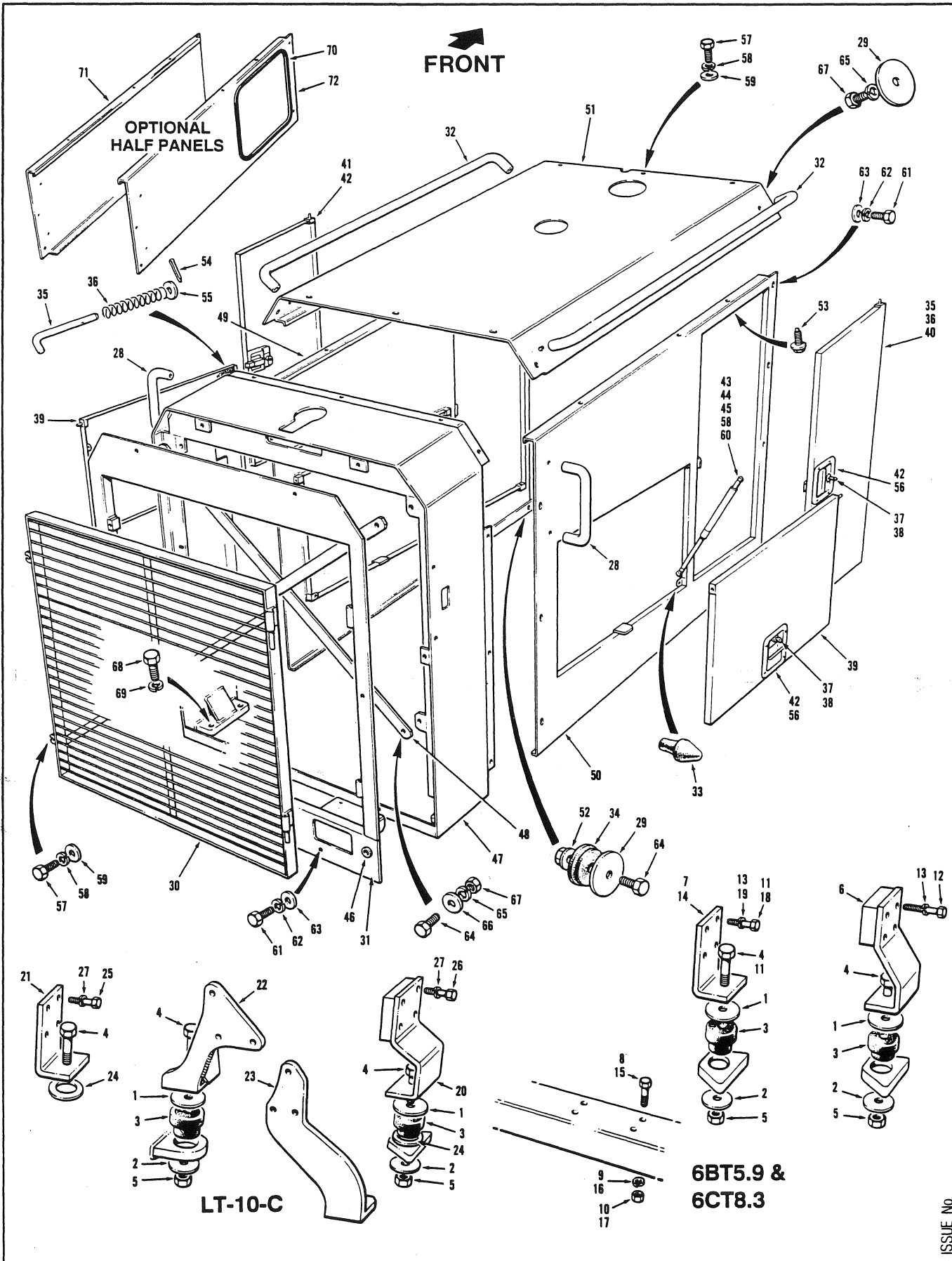
EFFECTIVE SERIAL NUMBER(S) 21283 TO 21646, 21649,  
 NUMERO(S) DE SERIE EFFECTIF(S) 21687 & 21688  
 NUMERO(S) DE SERIE EFECTIVO(S)

700 SERIES  
 SERIE 700

SECTION 8 PAGE 1  
 SECCION 8 PAGINA 1

SECTION SECCION		PAGE PAGINA		ISSUE No. N° D'ÉMISSION N° DE EDICION		7 REVISION A		ENGINE MOUNTS, HOODS & PANELS			DECEMBER 1991	
No. N° N°	PART No. N° DE PIÉCE N° DE PIEZA	DESCRIPTION DÉSCRIPTION DESCRIPCION	No. REQ. N° REQ. N° REQ.	REMARKS REMARQUES NOTAS	No. N° N°	PART No. N° DE PIECE N° DE PIEZA	DESCRIPTION DÉSCRIPTION DESCRIPCION	No. REQ. N° REQ. N° REQ.	REMARKS REMARQUES NOTAS			
<b>ENGINE MOUNTS</b>												
1	11968	WASHER	2 or 4		39	57125	DOOR ASSEMBLY - REAR	2	6BT/6CT			
2	30075	WASHER	2 or 4		}	57468	- C/W ITEMS 35 TO 38, 42, 54, 55, 56	1	L-10-CR.H.			
3	30081	RUBBER MOUNT	2 or 4				DOOR ASSEMBLY - REAR - L.H.	1	L-10-C			
4	50A-1232	BOLT	2 or 4		40	57122	DOOR ASSEMBLY - FRONT - R.H.	1				
5	36N-12	LOCKNUT	2 or 4		}	57119	- C/W ITEMS 35 TO 38, 42, 54, 55, 56	1	6BT/6CT			
		<b>6BT5.9</b>					DOOR ASSEMBLY - FRONT - L.H.	1	6BT/6CT			
6	40252	SUPPORT - FRONT	2	Up to S/N 21407	}	57469	DOOR ASSEMBLY - FRONT - L.H.	1	L-10-C			
			1	S/N 21408 & Up			DOOR ASSEMBLY - FRONT - L.H.	1	L-10-C			
7	59593	SUPPORT - FRONT	1	S/N 21408 & Up	42	57116	DOOR HANDLE	1				
8	50A-0718	BOLT	4		43	57728	CYLINDER ASSEMBLY	2				
9	14A-07	LOCKWASHER	4		44	52868	SWIVEL	4				
10	30A-07	NUT	4		45	52869	CLIP	4				
11	350A-12040	BOLT	4		46	52885	GROMMET	1				
12	350A-12075	BOLT	4		47	56004	RADIATOR FRAME	1				
13	314A-12	LOCKWASHER	4		48	52992	STABILIZER BAR	2				
<b>6CT8.3</b>												
14	45110	SUPPORT - FRONT	2		49	57124	SIDE PANEL - L.H.	1	6BT/6CT			
15	50A-0722	BOLT	4		}	57470	SIDE PANEL - L.H.	1	L-10-C			
16	14A-07	LOCKWASHER	4				50	57126	SIDE PANEL - R.H.	1		
17	30A-07	NUT	4		}	54568	HOOD	1	6BT5.9			
18	350A-12040	BOLT	8				51	54569	HOOD	1	6CT8.3	
19	314A-12	LOCKWASHER	8		}	54570	HOOD	1	L-10-C			
							52	54657	LOCKNUT	4		
<b>L-10-C</b>												
20	48614	SUPPORT - FRONT	2	Up to S/N 21420	53	54658	SCREW	6				
21	59594	SUPPORT - FRONT	1	S/N 21421 & Up	54	13A-0212	COTTER PIN	4				
22	53694	SUPPORT - REAR - L.H.	1	S/N 21421 & Up	55	14D-05	FLATWASHER	4				
23	53760	SUPPORT - REAR - R.H.	1		56	76A-063	RIVET	16				
24	59633	WASHER	4		57	50A-0508Zi	BOLT	18				
25	50A-1012	BOLT	4		58	14A-05Zi	LOCKWASHER	22				
26	50A-1024	BOLT	4		59	14C-05Zi	FLATWASHER	18				
27	14A-10	LOCKWASHER	4		60	30A-05	NUT	4				
<b>HOODS &amp; PANELS</b>												
28	48653	GRAB HANDLE - SIDE PANEL	2		61	50A-0508Zi	BOLT	12				
29	14C-06Zi	BACK-UP WASHER	12		62	14A-05Zi	LOCKWASHER	12				
30	57583	GRILLE DOOR	1		63	14C-05Zi	FLATWASHER	12				
31	57297	GRILLE FRAME	1		64	50A-0608	BOLT	16				
32	52792	GRAB HANDLE - HOOD	2		65	14A-06	LOCKWASHER	4				
33	52811	BUMPER	8		66	14C-06	FLATWASHER	4				
34	52812	GROMMET	4		67	30A-06	NUT	4				
35	52855	HINGE PIN	4		68	50A-0812	BOLT	4				
36	52857	SPRING	4		69	14A-08	LOCKWASHER	4				
37	57462	TUMBLER C/W KEYS	1		<b>HALF PANELS INSTALLATION - OPTIONAL</b>							
38	57463	CLIP	1		70	40839 x 63	TRIM	1				
					71	54706	SIDE PANEL - L.H.	1				
					72	54707	SIDE PANEL - R.H.	1				

CHAMPION ROAD MACHINERY



EFFECTIVE SERIAL NUMBER(S)  
NUMERO(S) DE SÉRIE EFFECTIF(S)  
NUMERO(S) DE SERIE EFECTIVO(S)

21647, 21789, 21797, 21801,  
21805, 21809, 21813 & 21818  
EXCLUDING 21649, 21687  
& 21688

700 SERIES  
SERIE 700

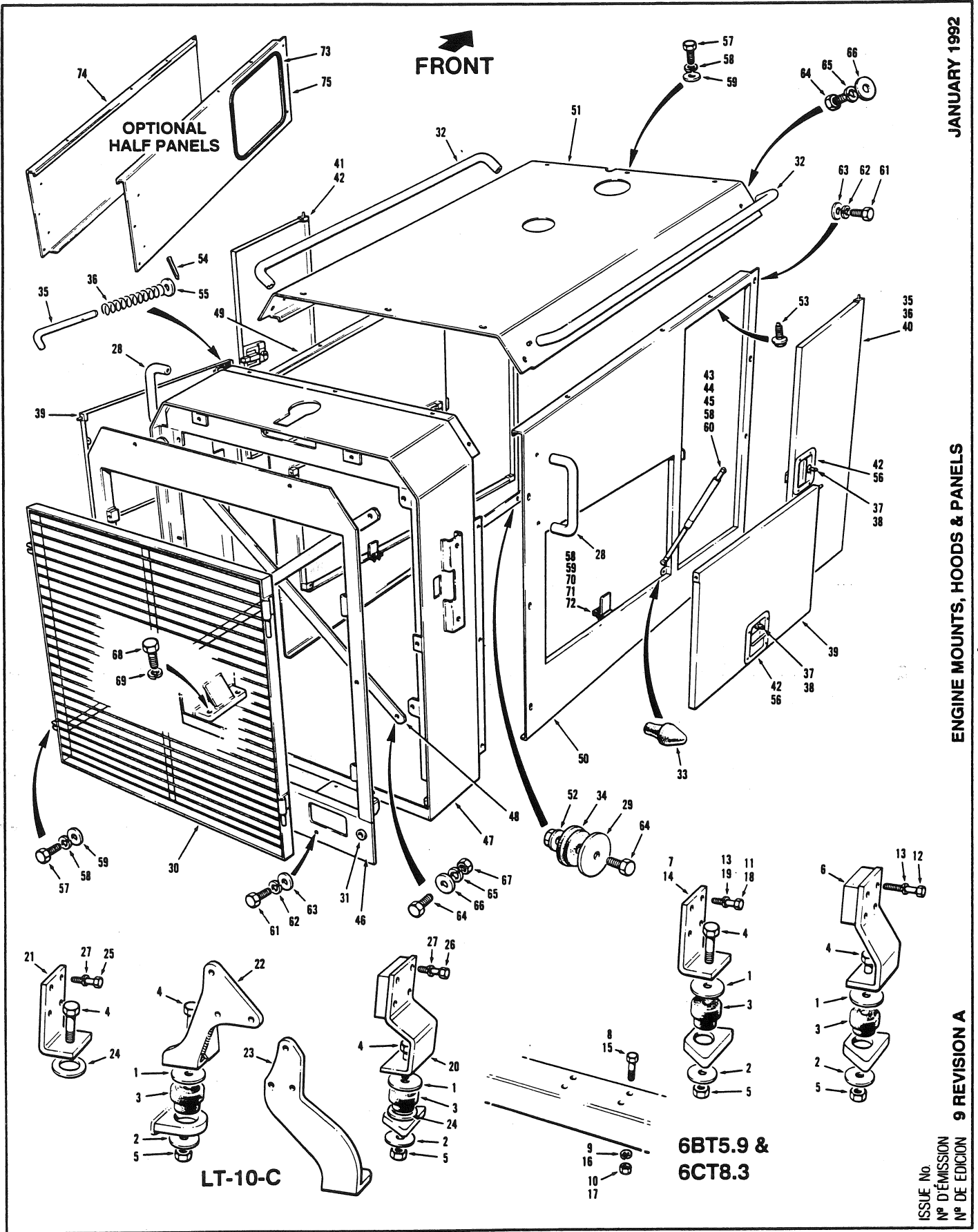
SECTION  
SECCION 8

PAGE  
PAGINA 1

SECTION 8 SECCION 8		PAGE 2 PAGINA 2	ISSUE No. N° D'ÉMISSION N° DE EDICION	8 REVISION A	ENGINE MOUNTS, HOODS & PANELS			DECEMBER 1991	
No. N° N°	PART No. N° DE PIÈCE N° DE PIEZA	DESCRIPTION DÉSCRIPTION DESCRIPCION	No. REQ. N° REQ. N° REQ.	REMARKS REMARQUES NOTAS	No. N° N°	PART No. N° DE PIECE N° DE PIEZA	DESCRIPTION DÉSCRIPTION DESCRIPCION	No. REQ. N° REQ. N° REQ.	REMARKS REMARQUES NOTAS
<b>ENGINE MOUNTS</b>									
1	11968	WASHER	2 or 4		39	65071	DOOR ASSEMBLY - REAR	2	6BT/6CT
2	30075	WASHER	2 or 4		}	65073	- C/W ITEMS 35 TO 38, 42, 54, 55, 56 DOOR ASSEMBLY - REAR - L.H.	1	L-10-C R.H.
3	30081	RUBBER MOUNT	2 or 4			40	65072	- C/W ITEMS 35 TO 38, 42, 54, 55, 56 DOOR ASSEMBLY - FRONT - R.H.	1
4	50A-1232	BOLT	2 or 4		}	65070	- C/W ITEMS 35 TO 38, 42, 54, 55, 56 DOOR ASSEMBLY - FRONT - L.H.	1	6BT/6CT
5	36N-12	LOCKNUT	2 or 4			41	65074	- C/W ITEMS 35 TO 38, 42, 54, 55, 56 DOOR ASSEMBLY - FRONT - L.H.	1
<b>6BT5.9</b>									
6	40252	SUPPORT - FRONT	1		42	65033	DOOR HANDLE	1	
7	59593	SUPPORT - FRONT	1		43	57728	CYLINDER ASSEMBLY	2	
8	50A-0718	BOLT	4		44	52868	SWIVEL	4	
9	14A-07	LOCKWASHER	4		45	52869	CLIP	4	
10	30A-07	NUT	4		46	52885	GROMMET	1	
11	350A-12040	BOLT	4		47	56004	RADIATOR FRAME	1	
12	350A-12075	BOLT	4		48	52992	STABILIZER BAR	2	
13	314A-12	LOCKWASHER	4		49	57124	SIDE PANEL - L.H.	1	6BT/6CT
<b>6CT8.3</b>									
14	45110	SUPPORT - FRONT	2		}	57470	SIDE PANEL - L.H.	1	L-10-C
15	50A-0722	BOLT	4			50	57126	SIDE PANEL -R.H.	1
16	14A-07	LOCKWASHER	4		}	54568	HOOD	1	6BT5.9
17	30A-07	NUT	4			51	54569	HOOD	1
18	350A-12040	BOLT	8			54570	HOOD	1	L-10-C
19	314A-12	LOCKWASHER	8		52	54657	LOCKNUT	4	
<b>L-10-C</b>									
20	48614	SUPPORT - FRONT	1		53	54658	SCREW	6	
21	59594	SUPPORT - FRONT	1		54	13A-0212	COTTER PIN	4	
22	53694	SUPPORT - REAR - L.H.	1		55	14D-05	FLATWASHER	4	
23	53760	SUPPORT - REAR - R.H.	1		56	65034	RIVET	16	
24	59633	WASHER	4		57	50A-0508Zi	BOLT	18	
25	50A-1012	BOLT	4		58	14A-05Zi	LOCKWASHER	22	
26	50A-1024	BOLT	4		59	14C-05Zi	FLATWASHER	18	
27	14A-10	LOCKWASHER	4		60	30A-05	NUT	4	
<b>HOODS &amp; PANELS</b>									
28	48653	GRAB HANDLE - SIDE PANEL	2		61	50A-0508Zi	BOLT	12	
29	14C-06Zi	BACK-UP WASHER	12		62	14A-05Zi	LOCKWASHER	12	
30	57583	GRILLE DOOR	1		63	14C-05Zi	FLATWASHER	12	
31	57297	GRILLE FRAME	1		64	50A-0608	BOLT	16	
32	52792	GRAB HANDLE - HOOD	2		65	14A-06	LOCKWASHER	4	
33	52811	BUMPER	8		66	14C-06	FLATWASHER	4	
34	52812	GROMMET	4		67	30A-06	NUT	4	
35	52855	HINGE PIN	4		68	50A-0812	BOLT	4	
36	52857	SPRING	4		69	14A-08	LOCKWASHER	4	
37	57462	TUMBLER C/W KEYS	1		<b>HALF PANELS INSTALLATION - OPTIONAL</b>				
38	57463	CLIP	1		70	40839 x 63	TRIM	1	
					71	65080	SIDE PANEL - L.H.	1	
					72	65081	SIDE PANEL - R.H.	1	



CHAMPION ROAD MACHINERY



EFFECTIVE SERIAL NUMBER(S) 21754 to 21910  
 NUMERO(S) DE SÉRIE EFFECTIF(S) EXCEPT 21789, 21797, 21801,  
 NUMERO(S) DE SERIE EFFECTIVO(S) 21805, 21809, 21813 & 21818

**700 SERIES**  
**SERIE 700**

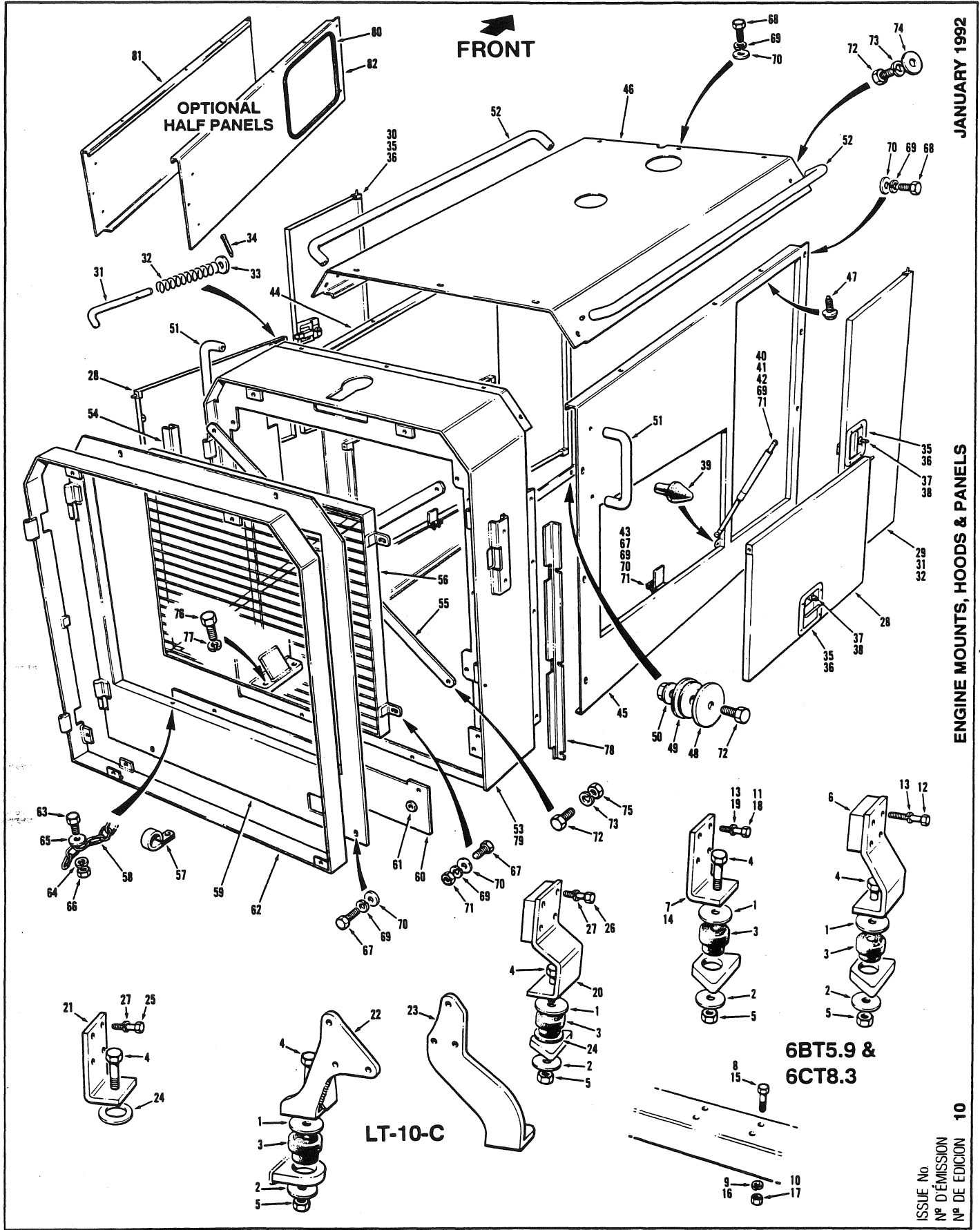
**SECTION 8**

**PAGE 1**  
**PAGINA 1**

SECTION SECCION		PAGE PAGINA		ISSUE No. N° D'ÉMISSION N° DE EDICION		REVISION A		ENGINE MOUNTS, HOODS & PANELS				JANUARY 1992	
No. N° N°	PART No. N° DE PIÈCE N° DE PIEZA	DESCRIPTION DÉSCRIPTION DESCRIPCION	No. REQ. N° REQ. N° REQ.	REMARKS REMARQUES NOTAS	No. N° N°	PART No. N° DE PIECE N° DE PIEZA	DESCRIPTION DÉSCRIPTION DESCRIPCION	No. REQ. N° REQ. N° REQ.	REMARKS REMARQUES NOTAS				
<b>ENGINE MOUNTS</b>													
1	11988	WASHER	2 or 4		39	65071	DOOR ASSEMBLY - REAR - C/W ITEMS 35 TO 38, 42, 54, 55, 56	2	6BT/6CT				
2	30075	WASHER	2 or 4		}	65073	DOOR ASSEMBLY - REAR - L.H. - C/W ITEMS 35 TO 38, 42, 54, 55, 56	1	L-10-C R.H.				
3	30081	RUBBER MOUNT	2 or 4				40	65072	DOOR ASSEMBLY - FRONT - R.H. - C/W ITEMS 35 TO 38, 42, 54, 55, 56	1	L-10-C		
4	50A-1232	BOLT	2 or 4		}	65070	DOOR ASSEMBLY - FRONT - L.H. - C/W ITEMS 35 TO 38, 42, 54, 55, 56	1	6BT/6CT				
5	36N-12	LOCKNUT	2 or 4				41	65074	DOOR ASSEMBLY - FRONT - L.H. - C/W ITEMS 35 TO 38, 42, 54, 55, 56	1	L-10-C		
<b>6BT5.9</b>													
6	40252	SUPPORT - FRONT - R.H.	1		42	65033	DOOR HANDLE	1					
7	59593	SUPPORT - FRONT - L.H.	1		43	57728	CYLINDER ASSEMBLY	2					
8	50A-0718	BOLT	4		44	52868	SWIVEL	4					
9	14A-07	LOCKWASHER	4		45	52869	CLIP	4					
10	30A-07	NUT	4		46	57297	GRILLE FRAME	1					
11	350A-12040	BOLT	4		47	*57910	RADIATOR FRAME	1					
12	350A-12075	BOLT	4		48	52992	STABILIZER BAR	2					
13	314A-12	LOCKWASHER	4		49	57124	SIDE PANEL - L.H.	1	6BT/6CT				
<b>6CT8.3</b>													
14	45110	SUPPORT - FRONT	2		50	57470	SIDE PANEL - L.H.	1	L-10-C				
15	50A-0714	BOLT	4		}	51	SIDE PANEL - R.H.	1					
16	14A-07	LOCKWASHER	4				52	54567	HOOD	1	6BT5.9		
17	30A-07	NUT	4		53	54568	HOOD	1	6CT8.3				
18	350A-12040	BOLT	8		54	54570	HOOD	1	L-10-C				
19	314A-12	LOCKWASHER	8		55	54657	LOCKNUT	4					
<b>L-10-C</b>													
20	48614	SUPPORT - FRONT	1		56	54658	SCREW	6					
21	59594	SUPPORT - FRONT	1		57	13A-0212	COTTER PIN	4					
22	53694	SUPPORT - REAR - L.H.	1		58	14D-05	FLATWASHER	4					
23	53760	SUPPORT - REAR - R.H.	1		59	65034	RIVET	4					
24	59633	WASHER	4		60	50A-0508ZI	BOLT	4					
25	50A-1012	BOLT	4		61	14A-05ZI	LOCKWASHER	30					
26	50A-1024	BOLT	4		62	14C-05ZI	FLATWASHER	26					
27	14A-10	LOCKWASHER	4		63	30A-05	NUT	4					
<b>HOODS &amp; PANELS</b>													
28	48653	GRAB HANDLE - SIDE PANEL	2		64	50A-0508ZI	BOLT	12					
29	*48656	BACK-UP WASHER	12		65	14A-06	LOCKWASHER	12					
30	57583	GRILLE DOOR	1		66	14C-06	FLATWASHER	8					
31	52885	GROMMET	1		67	30A-06	NUT	4					
32	52792	GRAB HANDLE - HOOD	2		68	50A-0812	BOLT	4					
33	52811	BUMPER	8		69	14A-08	LOCKWASHER	4					
34	52812	GROMMET	4		70	*57115	STRIKER PLATE	4					
35	52855	HINGE PIN	4		71	*50A-0506ZI	BOLT	8					
36	52857	SPRING	4		72	*30A-05ZI	NUT	8					
37	57462	TUMBLER - C/W KEYS	1		<b>HALF PANELS INSTALLATION - OPTIONAL</b>								
38	57463	CLIP	1		73	40839 x 63	TRIM	1					
					74	65080	SIDE PANEL - L.H.	1					
					75	65081	SIDE PANEL - R.H.	1					

FRONT

CHAMPION ROAD MACHINERY



FOR LIST OF PARTS - TURN THIS PAGE  
 POUR LA LISTE DES PIÈCES - VOIR AU VERSO  
 PARA LA LISTA DE LAS PIEZAS - VER AL VERSO

ENGINE MOUNTS, HOODS & PANELS

6BT5.9 & 6CT8.3

LT-10-C

ISSUE No.  
 N° D'ÉMISSION  
 N° DE EDICIÓN

10

EFFECTIVE SERIAL NUMBER(S) 21911 & UP  
 NUMERO(S) DE SÉRIE EFFECTIF(S)  
 NUMERO(S) DE SERIE EFECTIVO(S)

700 SERIES  
 SERIE 700

SECTION 8 PAGE 1  
 SECCION 8 PAGINA 1

SECTION SECCION		PAGE PAGINA		ISSUE No. N° D'ÉMISSION N° DE EDICION		ENGINE MOUNTS, HOODS & PANELS			JANUARY 1992	
8		2		10						
No. N° N°	PART No. N° DE PIÈCE N° DE PIEZA	DESCRIPTION DESCRIPTION DESCRIPCION	No. REQ. N° REQ. N° REQ.	REMARKS REMARQUES NOTAS	No. N° N°	PART No. N° DE PIÈCE N° DE PIEZA	DESCRIPTION DESCRIPTION DESCRIPCION	No. REQ. N° REQ. N° REQ.	REMARKS REMARQUES NOTAS	
<b>ENGINE MOUNTS</b>										
1	11068	WASHER	2 or 4		44	57470	SIDE PANEL - L.H.	1		
2	30075	WASHER	2 or 4		45	57126	SIDE PANEL - R.H.	1		
3	30081	RUBBER MOUNT	2 or 4		46	54568	HOOD	1	6BT5.9	
4	50A-1232	BOLT	2 or 4			54569	HOOD	1	6CT8.3	
5	36N-12	LOCKNUT	2 or 4			54570	HOOD	1	L-10-C	
					47	54658	SCREW	6		
		<b>6BT5.9</b>			48	48656	BACK-UP WASHER	4		
6	40252	SUPPORT - FRONT - R.H.	1		49	52812	GROMMET	4		
7	59593	SUPPORT - FRONT - L.H.	1		50	54857	LOCKNUT	4		
8	50A-0718	BOLT	4		51	48653	GRAB HANDLE - SIDE PANEL	2		
9	14A-07	LOCKWASHER	4		52	52792	GRAB HANDLE - HOOD	2		
10	30A-07	NUT	4							
11	350A-12040	BOLT	4			65132	RADIATOR FRAME	1	up to S/N 22094	
12	350A-12075	BOLT	4		53	*65662	RADIATOR FRAME	1	S/N 22095 & up	
13	314A-12	LOCKWASHER	4		54	*65695	SEAL BAR - L.H.	1	air conditioner c/w sucker fan & A.W.D. c/w blower fan	
		<b>6CT8.3</b>								
14	45110	SUPPORT - FRONT	2		55	*57719	STABILIZER BAR	2		
15	50A-0714	BOLT	4		56	*65658	GRILLE DOOR	1		
16	14A-07	LOCKWASHER	4		57	*32316	CLAMP	4		
17	30A-07	NUT	4		58	*65675 x 20.75	CHAIN	1		
18	350A-12040	BOLT	8		59	65680	GRILLE FRAME	1		
19	314A-12	LOCKWASHER	8		60	*65766	COVER PLATE	1		
		<b>L-10-C</b>			61	52885	GROMMET	1		
20	48614	SUPPORT - FRONT	1		62	*65676	GRILLE EXTENSION FRAME	1	air conditioner c/w sucker fan & A.W.D. c/w blower fan	
21	59594	SUPPORT - FRONT	1							
22	53694	SUPPORT - REAR - L.H.	1		63	*50A-0406Zi	BOLT	4		
23	53760	SUPPORT - REAR - R.H.	1		64	*14A-04Zi	LOCKWASHER	4		
24	59633	WASHER	4		65	*14C-04Zi	FLATWASHER	4		
25	50A-1012	BOLT	4		66	*30A-04Zi	NUT	4		
26	50A-1024	BOLT	4		67	*50A-0506Zi	BOLT	16		
27	14A-10	LOCKWASHER	4		68	50A-0508Zi	BOLT	12		
28	65073	DOOR ASSEMBLY - REAR - C/W ITEMS 31 TO 38	2		69	14A-05Zi	LOCKWASHER	34		
29	65072	DOOR ASSEMBLY - FRONT - R.H. - C/W ITEMS 31 TO 38	1		70	14C-05Zi	FLATWASHER	30		
30	65074	DOOR ASSEMBLY - FRONT - L.H. - C/W ITEMS 31 TO 38	1		71	*30A-05Zi	NUT	16		
31	52855	HINGE PIN	4		72	*50A-0608Zi	BOLT	12		
32	52857	SPRING	4		73	*14A-06Zi	LOCKWASHER	12		
33	14D-05	FLATWSHER	4		74	*14C-06Zi	FLATWASHER	8		
34	13A-0212	COTTER PIN	4		75	*30A-06Zi	NUT	4		
35	65033	DOOR HANDLE	1		76	50A-0812	BOLT	4		
36	65034	RIVET	4		77	14A-08	LOCKWASHER	4		
37	57462	TUMBLER - C/W KEYS	1		78	*65700	SEAL BAR - R.H.	1	A.W.D. c/w blower fan	
38	57463	CLIP	1		79	*65701	RADIATOR FRAME	1	A.W.D.	
39	52811	BUMPER	8		<b>HALF PANELS INSTALLATION - OPTIONAL</b>					
40	57728	CYLINDER ASSEMBLY	2		80	40839 x 63	TRIM	1		
41	52868	SWIVEL	4		81	65080	SIDE PANEL - L.H.	1		
42	52869	CLIP	4		82	65081	SIDE PANEL - R.H.	1		
43	57115	STRIKER PLATE	4							

EFFECTIVE SERIAL NUMBERS) 16224, 16245 & UP  
 NUMEROS) DE SÉRIE EFFECTIFS)  
 NUMEROS) DE SÉRIE EFFECTIVOIS)  
 U.S. 2021-2 & UP

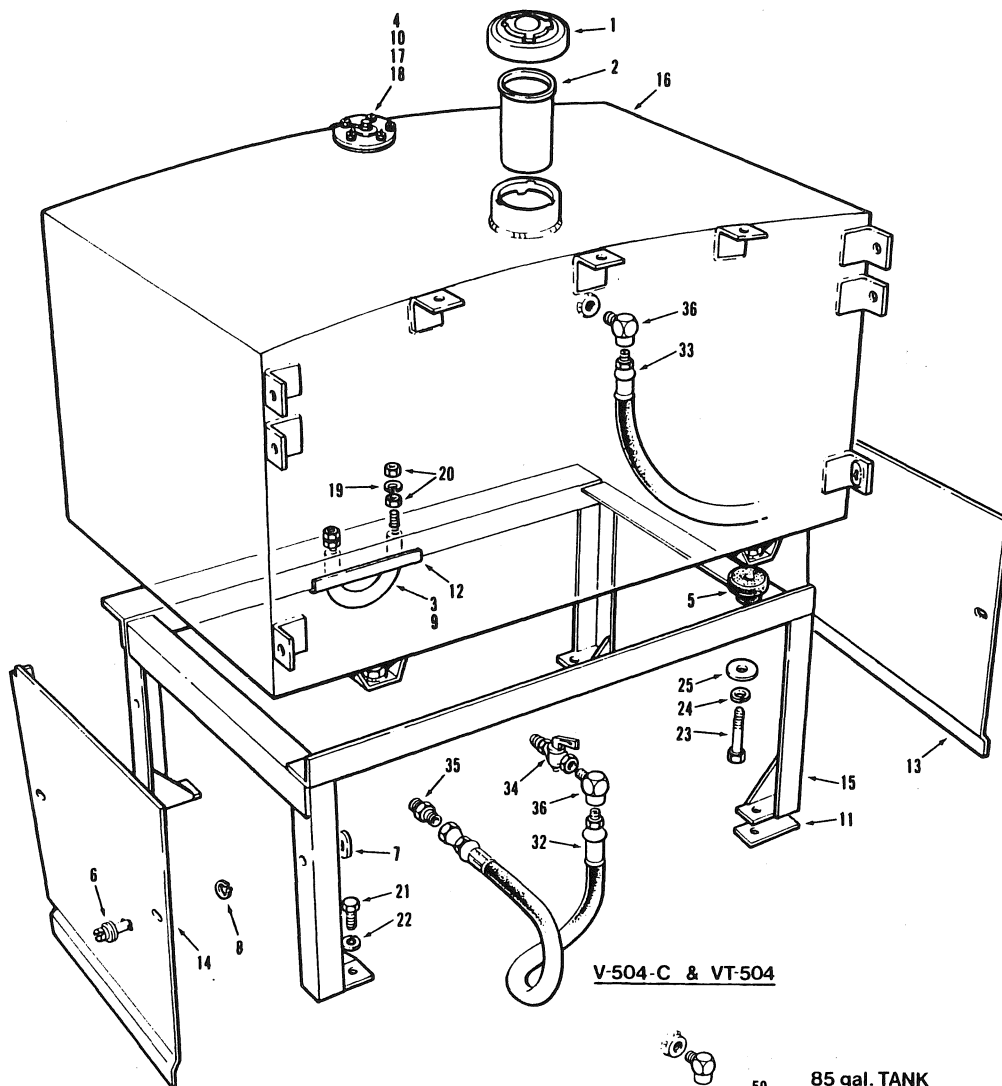
700 SERIES  
 SERIE 700

SECTION  
 SECCION

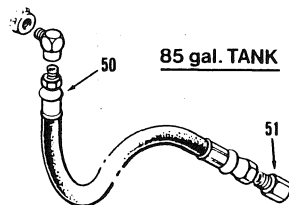
8

PAGE  
 PAGINA

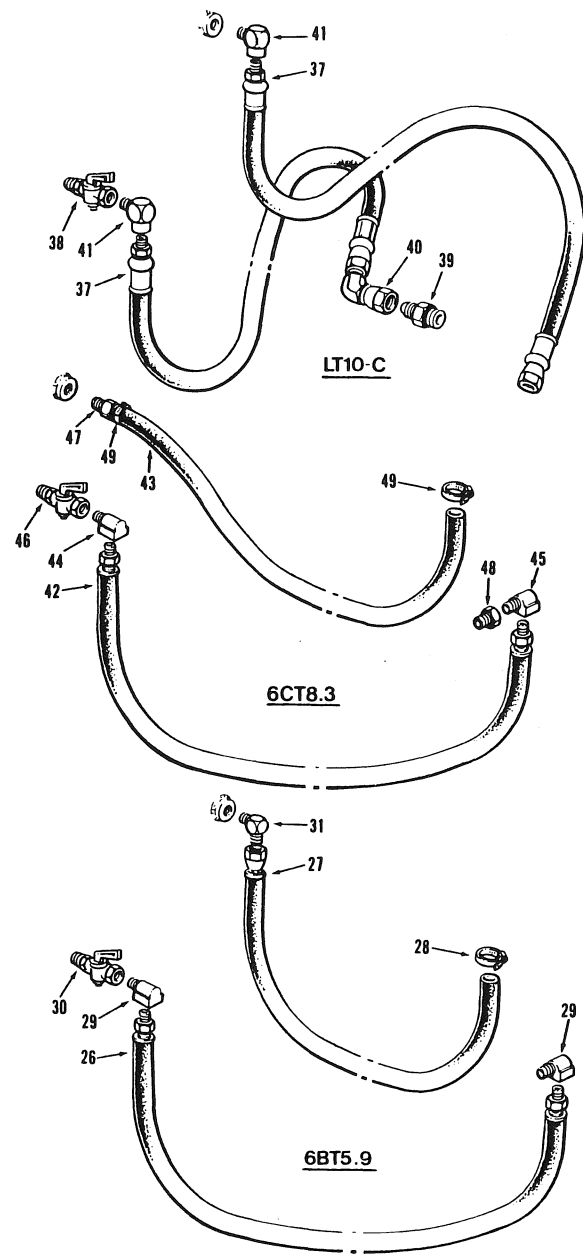
3



V-504-C & VT-504



85 gal. TANK



LT10-C

6CT8.3

6BT5.9

ISSUE No.  
 N° D'ÉMISSION  
 N° DE EDICION 1 REVISION A

FUEL CIRCUIT & FUEL TANK

SEPTEMBER 1985

FOR LIST OF PARTS - TURN THIS PAGE

POUR LA LISTE DES PIÈCES - VOIR AU VERSO

PARA LA LISTA DE LAS PIEZAS - VER AL VERSO

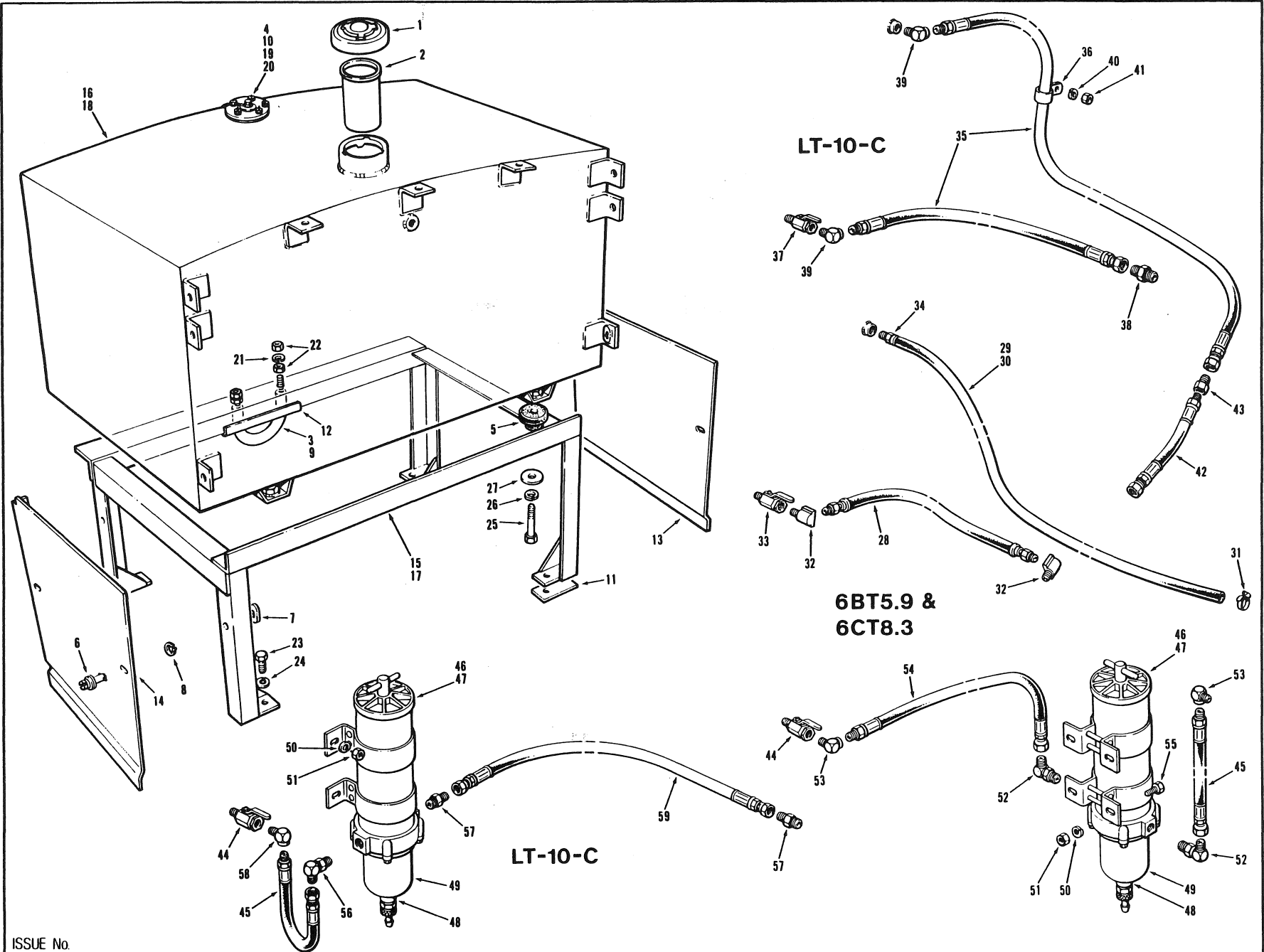
SECTION SECCION 8		PAGE PAGINA 4	ISSUE No. N° D'ÉMISSION N° DE EDICION 1 REVISION A	FUEL CIRCUIT & FUEL TANK			SEPTEMBER 1985		
No. N° N°	PART No. N° DE PIÈCE N° DE PIEZA	DESCRIPTION DÉSCRIPTION DESCRIPCION	No. REQ. N° REQ. N° REQ.	REMARKS REMARQUES NOTAS	No. N° N°	PART No. N° DE PIECE N° DE PIEZA	DESCRIPTION DÉSCRIPTION DESCRIPCION	No. REQ. N° REQ. N° REQ.	REMARKS REMARQUES NOTAS
<u>FUEL TANK &amp; INSTALLATION</u>						<u>FUEL CIRCUIT - 6BT5.9</u>			
1	8380	FILLER CAP	1		26	9318 X 30	HOSE	1	
2	8382	SCREEN	1		27	33212 X 40	HOSE	1	
3	9480 X 12	HOSE	1		28	22B-06	CLAMP	1	
4	11785	GASKET	1		29	100J-0604	ELBOW	2	
5	12375	MOUNT	4		30	104E-04	VALVE	1	
6	17042	FASTENER	4		31	110R-0404	CONNECTOR	1	
7	17044	CLIP	A.R.	REPAIR PART					
8	18799	GRIP RING	4		<u>FUEL CIRCUIT - V 504-C &amp; VT-504-C</u>				
9	19265	U-BOLT	1		32	14373 X 15	HOSE	1	} UP TO SERIAL NO. 16785
10	24589	SENDING UNIT	1		33	14373 X 28	HOSE	1	
11	35556	SHIM	A.R.		34	104E-04	VALVE	1	
12	40839 X 8	TRIMLOK	1		35	111E-0810	CONNECTOR	1	
	28976	PANEL - R.H.	1	MODEL 730 THRU 760 730, 730A A.W.D.	36	115J-0406	ELBOW	2	
13	30686	PANEL - R.H.	1		<u>FUEL CIRCUIT - LT-10-C</u>				
	40948	PANEL - R.H.	1	MODEL 710 THRU 720A 710 THRU 720A A.W.D.	37	14373 X 38	HOSE	2	} SERIAL NO. 16806 & UP
	41229	PANEL - R.H.	1		38	104E-04	VALVE	1	
	28977	PANEL - L.H.	1	MODEL 730 THRU 760 730, 730A A.W.D.	39	111E-0810	CONNECTOR	1	
	30687	PANEL - L.H.	1		40	112A-08	ELBOW	1	
	40949	PANEL - L.H.	1	MODEL 710 THRU 720A 710 THRU 720A A.W.D.	41	115J-0604	ELBOW	2	
14	41230	PANEL - L.H.	1		<u>FUEL CIRCUIT - 6CT8.3</u>				
	30512	STAND - A.W.D.	1		42	9319 X 30	HOSE	1	} SERIAL NO. 16806 & UP
	40281	STAND - STANDARD	1		43	9480 X 70	HOSE	1	
	40089	FUEL TANK - 75 U.S. GAL.(284 LITRES)	1		44	100J-0604	ELBOW	1	
	40411	FUEL TANK - 100 U.S. GAL. (378.5 LITRES)	1	NOT FITTED ON A.W.D.	45	100J-0606	ELBOW	1	
15	40411	FUEL TANK - 100 U.S. GAL. (378.5 LITRES)	1		46	104E-04	VALVE	1	
16	40411	FUEL TANK - 100 U.S. GAL. (378.5 LITRES)	1		47	106A-0604	CONNECTOR	1	
	14F-10	LOCKWASHER	5		48	119A-0414	REDUCER	1	
17	32A-10	NUT	5		49	22B-06	CLAMP	2	
18	14A-04	LOCKWASHER	2		<u>FUEL CIRCUIT - 85 GALLON FUEL TANK</u>				
19	30A-04	NUT	4		50	14373 X 38	HOSE	1	
20	51A-0809	BOLT	4		51	110J-0806	CONNECTOR	1	
21	14A-08	LOCKWASHER	4						
22	50A-1018	BOLT	4						
23	14A-10	LOCKWASHER	4						
24	14C-10	FLATWASHER	4						

EFFECTIVE SERIAL NUMBER(S)  
 NUMEROS(S) DE SERIE EFFECTIFS  
 U.S. 2515-2 & UP

17059 & UP

700 SERIES  
 SERIE 700

SECTION 8  
 SECCION 8  
 PAGE 3  
 PAGINA 3



ISSUE No.  
 N° D'ÉMISSION  
 N° DE EDICION 2

FUEL CIRCUIT, FUEL TANK & TROPICAL PROTECTION PACKAGE

JUNE 1988

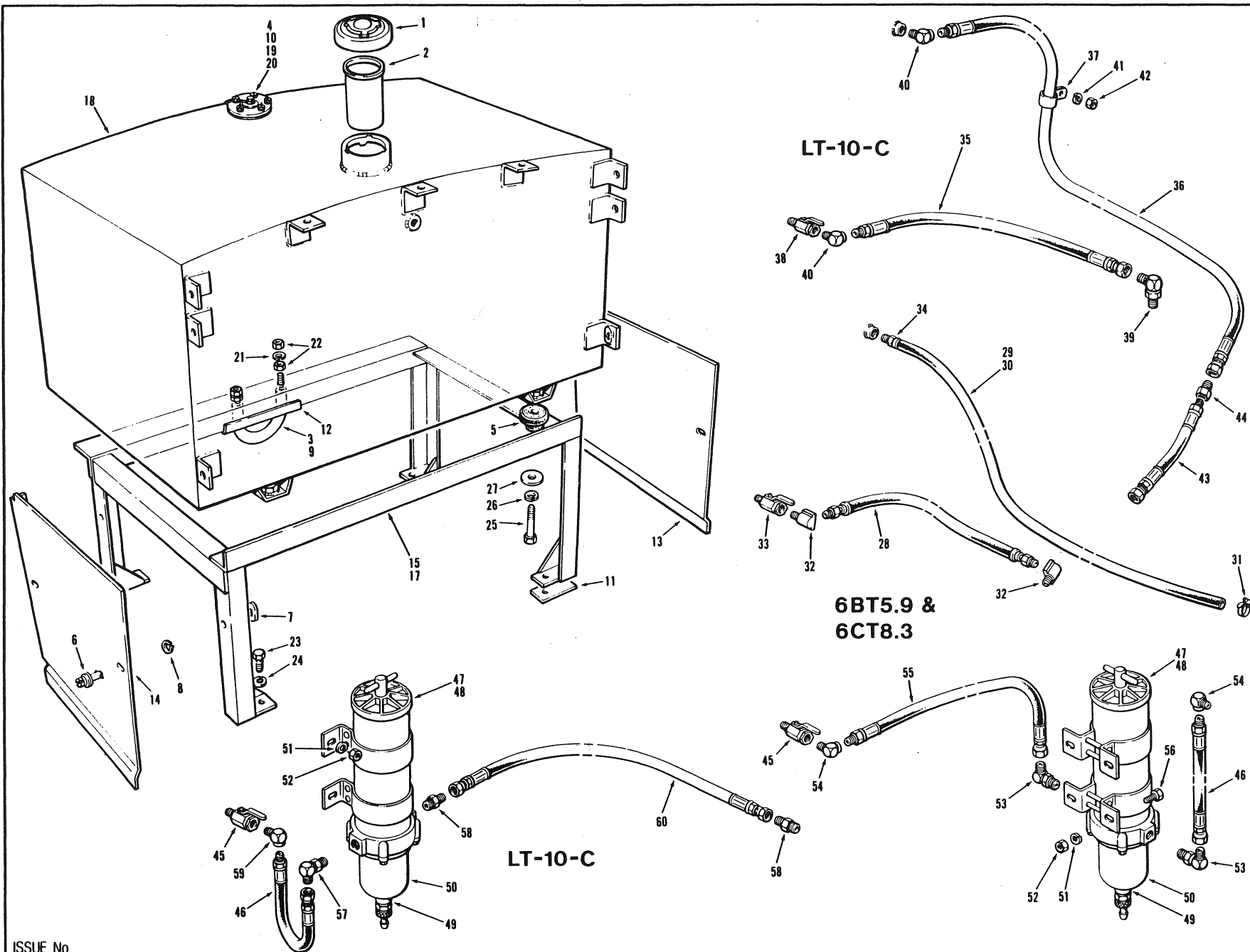
SECTION SECCION 8		PAGE PAGINA 4	ISSUE No. N° D'ÉMISSION N° DE EDICION 2	FUEL CIRCUIT, FUEL TANK & TROPICAL PROTECTION PACKAGE				JUNE 1988	
No. N° N°	PART No. N° DE PIÉCE N° DE PIEZA	DESCRIPTION DÉSCRIPTION DESCRIPCION	No. REQ. N° REQ. N° REQ.	REMARKS REMARQUES NOTAS	No. N° N°	PART No. N° DE PIÉCE N° DE PIEZA	DESCRIPTION DÉSCRIPTION DESCRIPCION	No. REQ. N° REQ. N° REQ.	REMARKS REMARQUES NOTAS
<u>FUEL TANK &amp; INSTALLATION</u>				<u>FUEL CIRCUIT - 6BT5.9 AND 6CT8.3</u>					
1	8380	FILLER CAP	1		28	9318 X 30	HOSE	1	
2	8382	SCREEN	1		29	*16741 X 47	HOSE	1	6BT5.9
3	9480 X 12	HOSE	1		30	*16741 X 70	HOSE	1	6CT8.3
4	11785	GASKET	1		31	22D-06	CLAMP	1	
5	12375	MOUNT	4		32	100J-0604	ELBOW	2	
6	17042	FASTENER	4		33	104E-04	VALVE	1	
7	17044	CLIP	2	REPAIR PART	34	106A-0404	CONNECTOR	1	
8	18799	GRIP RING	4		<u>FUEL CIRCUIT - LT-10-C</u>				
9	19265	U-BOLT	1		35	14373 X 38	HOSE	2	
10	24589	SENDING UNIT	1		36	*32320	CLIP	1	
11	35556	SHIM	A.R.		37	104E-04	VALVE	1	
12	40839 X 8	TRIMLOK	1		38	111E-0810	CONNECTOR	1	
	28976	PANEL - R.H. - STANDARD	1	MODEL 730 THRU 780A	39	*115J-0406	ELBOW	2	
13	30686	PANEL - R.H. - A.W.D.	1	730, 730A	40	*14A-04	LOCKWASHER	1	
	40948	PANEL - R.H. - STANDARD	1	MODEL 710	41	*30A-04	NUT	1	
	41229	PANEL - R.H. - A.W.D.	1	THRU 720A	42	14373 X 10	HOSE - 100 U.S. GALLON TANK	1	
	28977	PANEL - L.H. - STANDARD	1	MODEL 730 THRU 780A	43	110J-0806	CONNECTOR - 100 U.S. GALLON TANK	1	
14	30687	PANEL - L.H. - A.W.D.	1	730, 730A	<u>TROPICAL PROTECTION PACKAGE - OPTIONAL</u>				
	40949	PANEL - L.H. - STANDARD	1	MODEL 710	44	*104E-04	VALVE	1	
	41230	PANEL - L.H. - A.W.D.	1	THRU 720A	45	*14373 X 15	HOSE	1	
15	40281	STAND - STANDARD	1		46	*32546	WATER SEPARATOR ASSY. INCLUDES ITEMS 47, 48 & 49	1	
	30512	STAND - A.W.D.	1	UP TO S/N	47	*36107	ELEMENT	1	
16	40089	FUEL TANK - 75 U.S. GAL.(284 LITRES)	1	18915,18919	48	*49797	O RING - BOWL DRAIN	1	
	40411	FUEL TANK - 100 U.S. GAL.(378.5 LITRES)	1	TO 18922 & 18931 TO 18969	49	*49798	CLEAR BOWL	1	
17	*48569	STAND - A.W.D.	1	S/N 18916	50	*14A-06	LOCKWASHER	4	
18	*48684	FUEL TANK - 75 U.S. GAL.(284 LITRES)	1	TO 18918,	51	*30A-06	NUT	4	
	*48685	FUEL TANK - 100 U.S. GAL.(378.5 LITRES)	1	18923 TO 18930,18970 & UP	52	*111B-0810	ELBOW	2	6BT5.9
					53	*115J-0406	ELBOW	2	6CT8.3
					54	*14373 X 38	HOSE	1	
					55	*50A-0606	BOLT	4	
19	14F-10	LOCKWASHER	5		56	*111B-0810	ELBOW	1	
20	32A-10	NUT	5		57	*111E-0810	CONNECTOR	2	
21	14A-04	LOCKWASHER	2		58	*115J-0406	ELBOW	1	LT-10-C
22	30A-04	NUT	4		59	*9313 X 25	HOSE	1	
23	*50A-0810	BOLT	4						
24	14A-08	LOCKWASHER	4						
25	50A-1018	BOLT	4						
26	14A-10	LOCKWASHER	4						
27	14C-10	FLATWASHER	4						



EFFECTIVE SERIAL NUMBERS) 19565 TO 19568, 19580 TO 19610,  
 NUMEROS) DE SERIE EFFECTIFS) 19612 TO 19614, 19616, 19618  
 NUMEROS) DE SERIE EFFECTIVOS) & UP

700 SERIES  
 SERIE 700

SECTION 8  
 SECCION 8  
 PAGE 3  
 PAGINA 3



ISSUE No.  
 N° D'ÉMISSION  
 N° DE EDICION

3 REVISION A

FUEL CIRCUIT, FUEL TANK & TROPICAL PROTECTION PACKAGE

MAY 1989

FOR LIST OF PARTS - TURN THIS PAGE

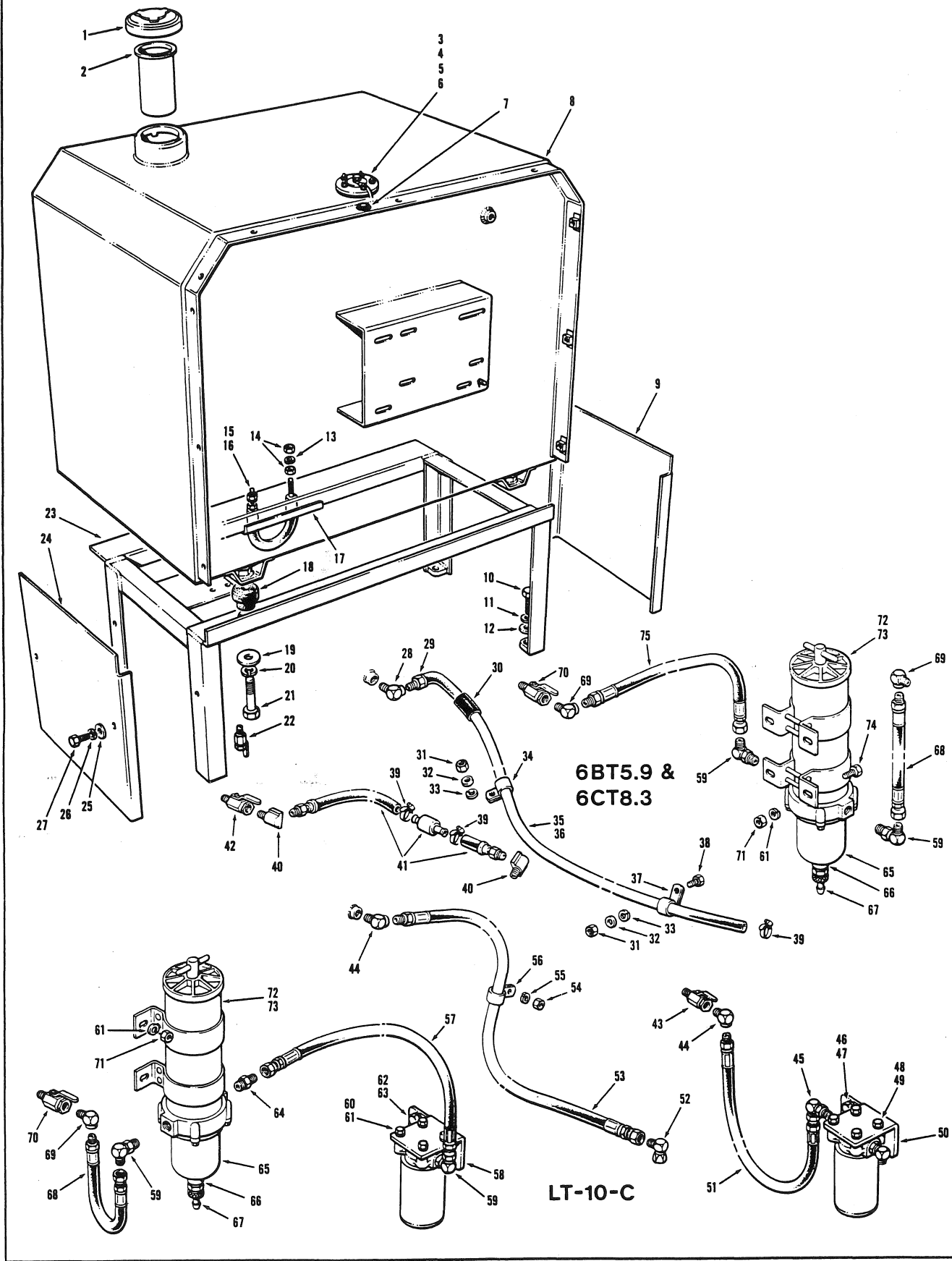
POUR LA LISTE DES PIÈCES - VOIR AU VERSO

PARA LA LISTA DE LAS PIEZAS - VER AL VERSO

USE ONLY CHAMPION ROAD MACHINERY APPROVED PARTS

SECTION 8		PAGE 4	ISSUE No. N° D'ÉMISSION N° DE EDICION	3 REVISION A	FUEL CIRCUIT, FUEL TANK & TROPICAL PROTECTION PACKAGE				MAY 1989
No. N° N°	PART No. N° DE PIÈCE N° DE PIEZA	DESCRIPTION DESCRIPTION DESCRIPCION	No. REQ. N° REQ. N° REQ.	REMARKS REMARQUES NOTAS	No. N° N°	PART No. N° DE PIÈCE N° DE PIEZA	DESCRIPTION DESCRIPTION DESCRIPCION	No. REQ. N° REQ. N° REQ.	REMARKS REMARQUES NOTAS
<u>FUEL TANK &amp; INSTALLATION</u>					<u>FUEL CIRCUIT - 6BT5.9 AND 6CT8.3</u>				
1	8380	FILLER CAP	1		28	9318 X 30	HOSE	1	
2	8382	SCREEN	1		29	16741 X 47	HOSE	1	
3	9480 X 12	HOSE	1		30	16741 X 70	HOSE	1	6BT5.9 6CT8.3
4	11785	GASKET	1		31	22D-06	CLAMP	1	
5	12375	MOUNT	4		32	100J-0604	ELBOW	2	
6	17042	FASTENER	4		33	104E-04	VALVE	1	
7	17044	CLIP	2	REPAIR PART	34	106A-0404	CONNECTOR	1	
8	18799	GRIP RING	4		<u>FUEL CIRCUIT - LT-10-C</u>				
9	19265	U-BOLT	1		35	*14373 X 28	HOSE	1	
10	24589	SENDING UNIT	1		36	*14373 X 58	HOSE	1	
11	35556	SHIM	A.R.		37	32320	CLIP	1	
12	40839 X 8	TRIMLOK	1		38	104E-04	VALVE	1	
13	30686	PANEL - R.H. - A.W.D.	1	710 THRU 730A	39	*111B-0810	CONNECTOR	1	
	40948	PANEL - R.H. - STANDARD	1		40	115J-0406	ELBOW	2	
14	30687	PANEL - L.H. - A.W.D.	1	710 THRU 730A	41	14A-04	LOCKWASHER	1	
	40949	PANEL - L.H. - STANDARD	1		42	30A-04	NUT	1	
15	40281	STAND - STANDARD	1		43	14373 X 10	HOSE - 100 U.S. GALLON TANK	1	
17	48569	STAND - A.W.D.	1		44	110J-0806	CONNECTOR - 100 U.S. GALLON TANK	1	
18	51197	FUEL TANK - 75 U.S. GAL.(284 LITRES)	1		<u>TROPICAL PROTECTION PACKAGE - OPTIONAL</u>				
	51201	FUEL TANK - 100 U.S. GAL.(378.5 LITRES)	1		45	104E-04	VALVE	1	
					46	14373 X 15	HOSE	1	
					47	32546	WATER SEPARATOR ASSY. INCLUDES ITEMS 48, 49 & 50	1	
					48	36107	ELEMENT	1	
					49	49797	O RING - BOWL DRAIN	1	
					50	49798	CLEAR BOWL	1	
19	14F-10	LOCKWASHER	5		51	14A-06	LOCKWASHER	4	
20	32A-10	NUT	5		52	30A-06	NUT	4	
21	14A-04	LOCKWASHER	2		53	111B-0810	ELBOW	2	
22	30A-04	NUT	4		54	115J-0406	ELBOW	2	6BT5.9 6CT8.3
23	50A-0810	BOLT	4		55	14373 X 38	HOSE	1	
24	14A-08	LOCKWASHER	4		56	50A-0606	BOLT	4	
25	50A-1018	BOLT	4		57	111B-0810	ELBOW	1	
26	14A-10	LOCKWASHER	4		58	111E-0810	CONNECTOR	2	
27	14C-10	FLATWASHER	4		59	115J-0406	ELBOW	1	LT-10-C
					60	*9313 X 48	HOSE	1	

CHAMPION ROAD MACHINERY



6BT5.9 &  
6CT8.3

LT-10-C

SEPTEMBER 1990

FUEL CIRCUIT, FUEL TANK & TROPICAL PROTECTION PACKAGE

PARA LA LISTA DE LAS PIEZAS - VER AL VERSO

POUR LA LISTE DES PIÈCES - VOIR AU VERSO

FOR LIST OF PARTS - TURN THIS PAGE

4 REVISION B

ISSUE No.  
N° D'ÉMISSION  
N° DE EDICION

EFFECTIVE SERIAL NUMBER(S)  
NUMERO(S) DE SÉRIE EFFECTIF(S)  
NUMERO(S) DE SERIE EFECTIVO(S)

19982, 19984, 19985, 19996,  
20005, 20227 to 20232,  
20265 & UP

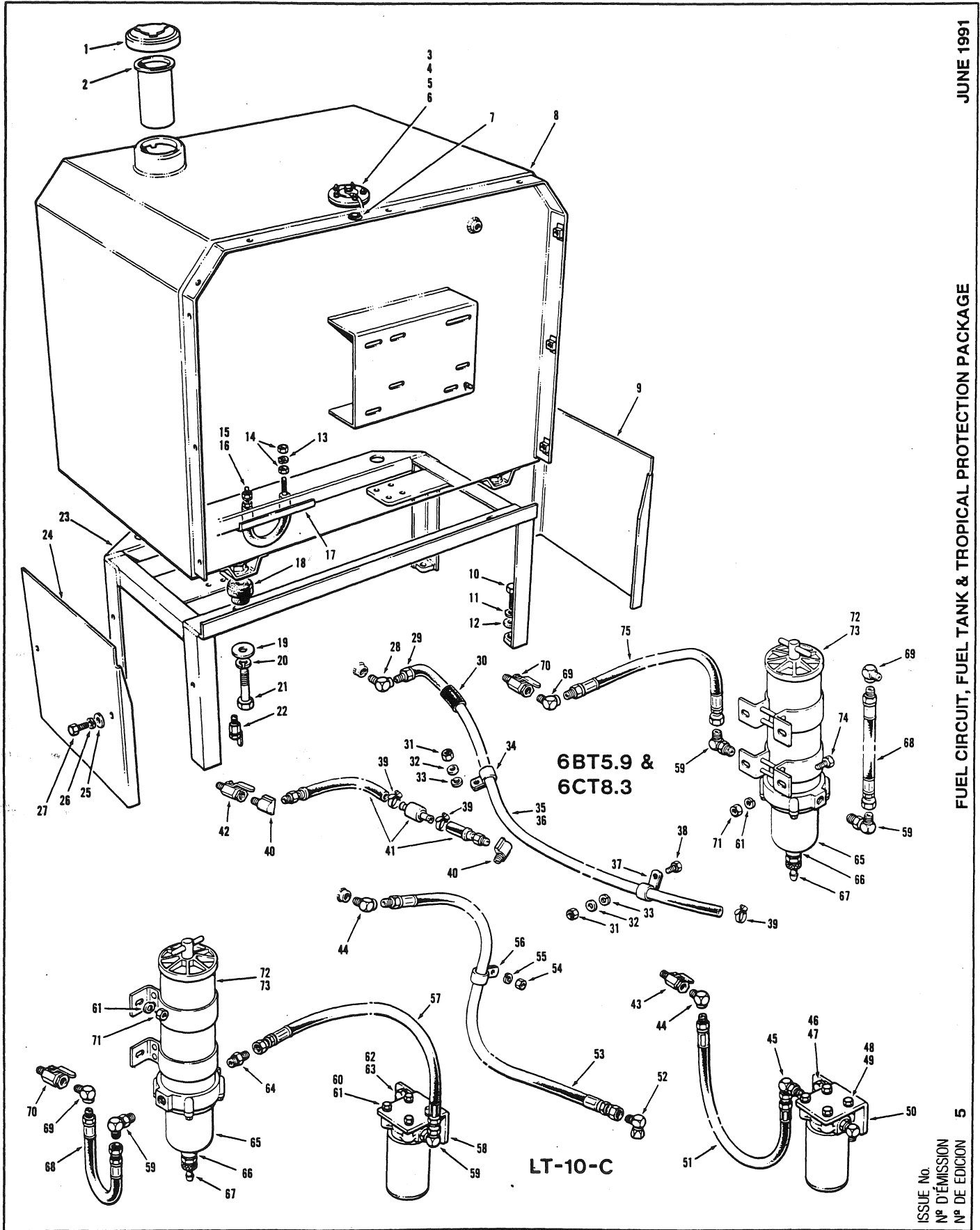
700 SERIES  
SERIE 700

SECTION 8 PAGE 3  
SECCION 8 PAGINA 3

SECTION SECCION		PAGE PAGINA	ISSUE No. N° D'ÉMISSION N° DE EDICION	4 REVISION B	FUEL CIRCUIT, FUEL TANK & TROPICAL PROTECTION PACKAGE			SEPTEMBER 1990	
No. N° N°	PART No. N° DE PIÈCE N° DE PIEZA	DESCRIPTION DESCRIPTION DESCRIPCION	No. REQ. N° REQ. N° REQ.	REMARKS REMARQUES NOTAS	No. N° N°	PART No. N° DE PIÈCE N° DE PIEZA	DESCRIPTION DESCRIPTION DESCRIPCION	No. REQ. N° REQ. N° REQ.	REMARKS REMARQUES NOTAS
<b>FUEL TANK &amp; INSTALLATION</b>					<b>FUEL CIRCUIT - MODELS 740 THRU 780A</b>				
1	8380	FILLER CAP	1		43	104E-04	VALVE	1	L-10-C
2	8382	SCREEN	1		44	115J-0408	ELBOW	2	
3	11785	GASKET	1		45	111B-0810	CONNECTOR	1	
4	52881	SENDING UNIT	1		46	350A-10030	BOLT	4	
5	14F-10	LOCK VALVE	5		47	14A-07	LOCKWASHER	4	
6	32A-10	NUT	5		48	50A-0608	BOLT	4	
7	32437	GROMMET	1		49	14A-06	LOCKWASHER	4	
8	53001	FUEL TANK	1		50	51564	BRACKET	1	
9	52996	PANEL R.H.	1		51	14373 x 28	HOSE	1	
10	50A-0810	BOLT	4		52	112B-08	ELBOW	1	
11	14A-08	LOCKWASHER	4		53	14373 x 38	HOSE	1	
12	14C-08	FLATWASHER	4		54	30A-04	NUT	1	
13	14A-04	NUT	2		55	14A-04	LOCKWASHER	1	
14	30A-04	NUT	4		56	*32319	CLAMP	1	
15	9480 x 12	HOSE PROTECTOR	1		<b>TROPICAL PROTECTION PACKAGE - OPTIONAL</b>				
16	52957	U BOLT	1		57	9313 x 14	HOSE	1	L-10-C
17	40839 x 8	TRIM	1		58	51564	BRACKET	1	L-10-C
18	12375	MOUNT	4		59	111B-0810	CONNECTOR	2	
19	14C-10	FLATWASHER	4		60	50A-0608	BOLT	4	L-10-C
20	14A-10	LOCKWASHER	4		61	14A-06	LOCKWASHER	4 or 8	
21	50A-1018	BOLT	4		62	350A-10030	BOLT	4	
22	104E-04	VALVE	1		63	14A-07	LOCKWASHER	4	L-10-C
23	52978	STAND	1		64	111E-0810	CONNECTOR	1	
24	52997	PANEL L.H.	1		65	49798	CLEAR BOWL	1	
25	14C-05ZI	FLATWASHER	4		66	49797	O RING - BOWL DRAIN	1	
26	14A-05ZI	LOCKWASHER	4		67	54630	DRAIN VALVE	1	
27	50A-0506ZI	BOLT	4		68	14373 x 15	HOSE	1	
<b>FUEL CIRCUIT - MODELS 710 THRU 730A</b>					<b>FUEL CIRCUIT - MODELS 710 THRU 730A</b>				
28	115J-0404	ELBOW	1	6BT5.9 & 6CT8.3	69	115J-0406	ELBOW	1 or 2	
29	106A-0404	CONNECTOR	1		70	104W-04	VALVE	1	
30	55294	HOSE PROTECTOR	3	6CT8.3	71	30A-06	NUT	4	
31	30A-04	NUT	2		72	32546	WATER SEPARATOR ASSEMBLY INCLUDES ITEMS 65, 66, 67 & 73	1	
32	14C-04	FLATWASHER	3		73	36107	ELEMENT	1	
33	14A-04	LOCKWASHER	2		74	50A-0606	BOLT	4	6CT8.3
34	32317	CLAMP	1		75	14373 x 38	HOSE	1	6BT5.9
35	16741 x 47	HOSE	1	6BT5.9					
36	16741 x 70	HOSE	1	6CT8.3					
37	32318	CLAMP	1						
38	50A-0406	BOLT	1						
39	22D-06	CLAMP	1						
40	100J-0604	ELBOW	3						
	*9480 x 2	HOSE	1						
41	*9480 x 25.2	HOSE	1						
	*59115	FILTER	1						
42	100E-04	VALVE	1						

See  
QUICK REFERENCE CHART  
for  
FUEL FILTERS

CHAMPION ROAD MACHINERY



ISSUE No.  
N° D'ÉMISSION  
N° DE EDICIÓN

EFFECTIVE SERIAL NUMBER(S)  
NUMERO(S) DE SÉRIE EFFECTIF(S)  
NUMERO(S) DE SERIE EFECTIVO(S)

21647 & UP  
EXCLUDING 21649,  
21687 & 21688

700 SERIES  
SERIE 700

SECTION  
SECCION

8

PAGE  
PAGINA

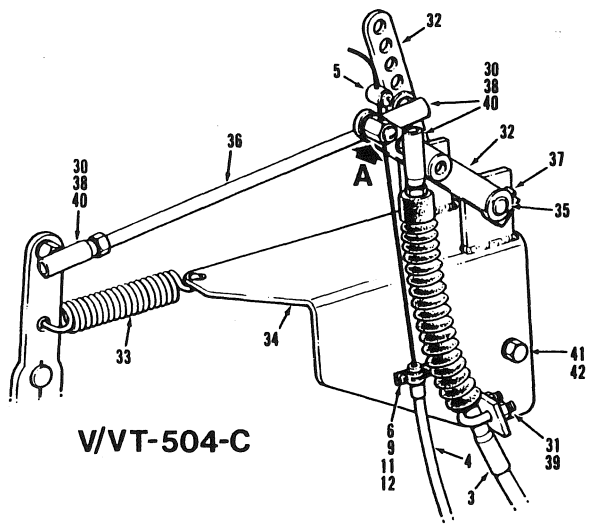
3

SECTION SECCION	8	PAGE PAGINA	4	ISSUE No. N° D'ÉMISSION N° DE EDICION	5	FUEL CIRCUIT, FUEL TANK & TROPICAL PROTECTION PACKAGE				JUNE 1991
No. N° N°	PART No. N° DE PIÈCE N° DE PIEZA	DESCRIPTION DÉSCRIPTION DESCRIPCION	No. REQ. N° REQ. N° REQ.	REMARKS REMARQUES NOTAS	No. N° N°	PART No. N° DE PIECE N° DE PIEZA	DESCRIPTION DÉSCRIPTION DESCRIPCION	No. REQ. N° REQ. N° REQ.	REMARKS REMARQUES NOTAS	
<b>FUEL TANK &amp; INSTALLATION</b>					<b>FUEL CIRCUIT - MODELS 740 THRU 780A</b>				<b>740 thru 780A</b>	
1	8380	FILLER CAP	1		43	104E-04	VALVE	1		
2	8382	SCREEN	1		44	115J-0406	ELBOW	2		
3	11785	GASKET	1		45	111B-0810	CONNECTOR	1		
4	52881	SENDING UNIT	1		46	350A-10030	BOLT	4		
5	14F-10	LOCK VALVE	5		47	14A-07	LOCKWASHER	4		
6	32A-10	NUT	5		48	50A-0608	BOLT	4		
7	32437	GROMMET	1		49	14A-06	LOCKWASHER	4		
8	53001	FUEL TANK	1		50	51564	BRACKET	1		
9	*57978	PANEL - R.H.	1		51	14373 x 28	HOSE	1		
10	50A-0810	BOLT	4		52	112B-08	ELBOW	1		
11	14A-08	LOCKWASHER	4		53	14373 x 38	HOSE	1		
12	14C-08	FLATWASHER	4		54	30A-04	NUT	1		
13	14A-04	NUT	2		55	14A-04	LOCKWASHER	1		
14	30A-04	NUT	4		56	32319	CLAMP	1		
15	*9480 x 10.5	HOSE PROTECTOR	1		<b>TROPICAL PROTECTION PACKAGE - OPTIONAL</b>					
16	*57985	U BOLT	1		57	9313 x 14	HOSE	1	740 thru 780A	
17	40839 x 8	TRIM	1		58	51564	BRACKET	1	740 thru 780A	
18	12375	MOUNT	4		59	111B-0810	CONNECTOR	2		
19	14C-10	FLATWASHER	4		60	50A-0608	BOLT	4	740 thru 780A	
20	14A-10	LOCKWASHER	4		61	14A-06	LOCKWASHER	4 or 8		
21	50A-1018	BOLT	4		62	350A-10030	BOLT	4	} 740 thru 780A	
22	104E-04	VALVE	1		63	14A-07	LOCKWASHER	4		
23	*57973	STAND	1		64	111E-0810	CONNECTOR	1		
24	*57977	PANEL - L.H.	1		65	49798	CLEAR BOWL	1		
25	14C-05Zi	FLATWASHER	4		66	49797	O RING - BOWL DRAIN	1		
26	14A-05Zi	LOCKWASHER	4		67	54630	DRAIN VALVE	1		
27	50A-0506Zi	BOLT	4		68	14373 x 15	HOSE	1		
<b>FUEL CIRCUIT - MODELS 710 THRU 730A</b>				<b>710 thru 730A</b>	69	115J-0406	ELBOW	1 or 2		
28	115J-0404	ELBOW	1		70	104W-04	VALVE	1		
29	106A-0404	CONNECTOR	1		71	30A-08	NUT	4		
30	55294	HOSE PROTECTOR	3	720 thru 730A	72	32546	<b>WATER SEPARATOR ASSEMBLY</b>	1		
31	30A-04	NUT	2		<b>- INCLUDES ITEMS 65, 66, 67 &amp; 73</b>					
32	14C-04	FLATWASHER	3		73	38107	ELEMENT	1		
33	14A-04	LOCKWASHER	2		74	50A-0606	BOLT	4	720 thru 730A	
34	32317	CLAMP	1		75	14373 x 38	HOSE	1	710/710A	
35	*16741 x 44	HOSE	1	710/710A	<div style="border: 2px solid black; padding: 10px; text-align: center;"> <p>See QUICK REFERENCE CHART for FUEL FILTERS</p> </div>					
36	16741 x 70	HOSE	1	720 thru 730A						
37	32318	CLAMP	1							
38	50A-0406	BOLT	1							
39	22D-06	CLAMP	1							
40	100J-0604	ELBOW	3							
41	9480 x 2	HOSE	1							
41	*9480 x 25.5	HOSE	1							
42	59115	FILTER	1							
42	100E-04	VALVE	1							

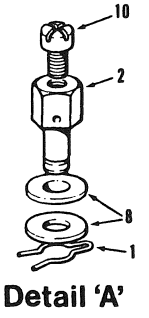
EFFECTIVE SERIAL NUMBER(S) 16224, 16245 TO 16470  
 NUMEROS (S) DE SÉRIE EFFECTIFS (S)  
 NUMEROS (S) DE SERIE EFFECTIVOS (S)  
 U.S. 2021-2 TO 2099-2

700 SERIES  
 SERIE 700

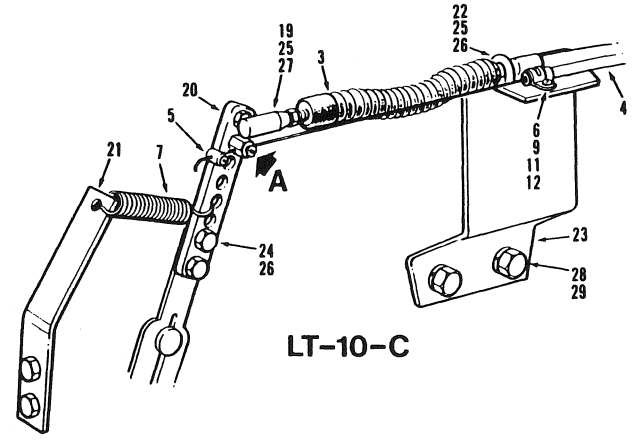
SECTION 8 PAGE 5  
 SECTION 8 PAGINA 5



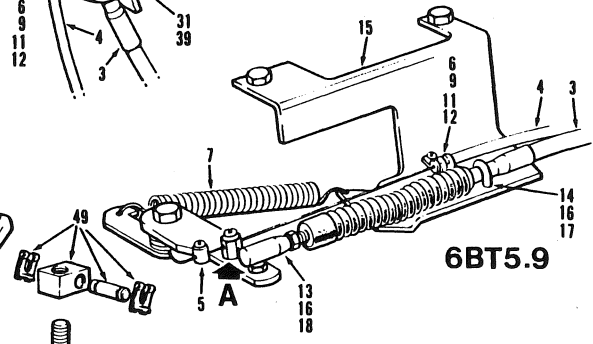
V/VT-504-C



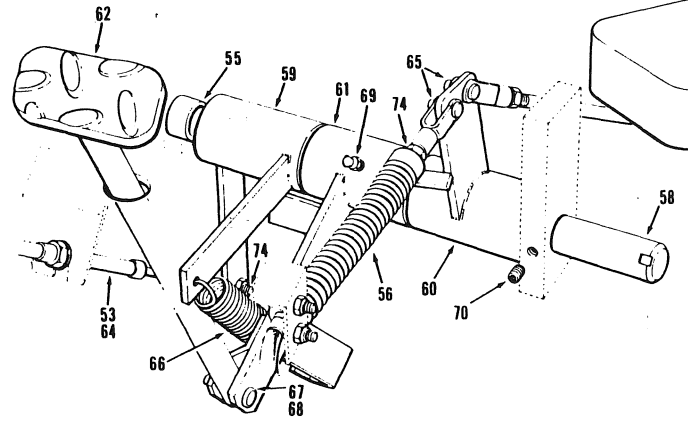
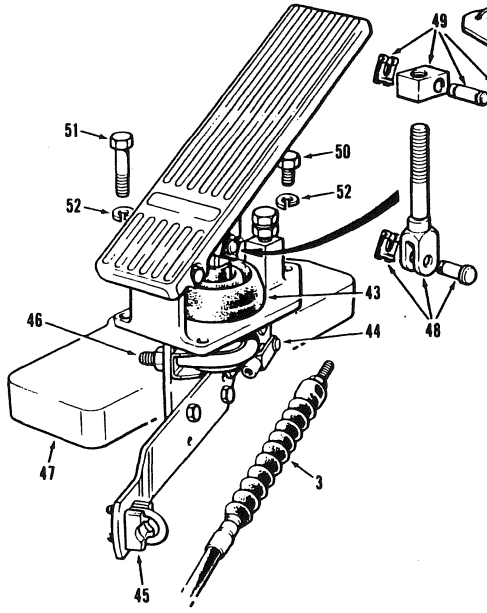
Detail 'A'



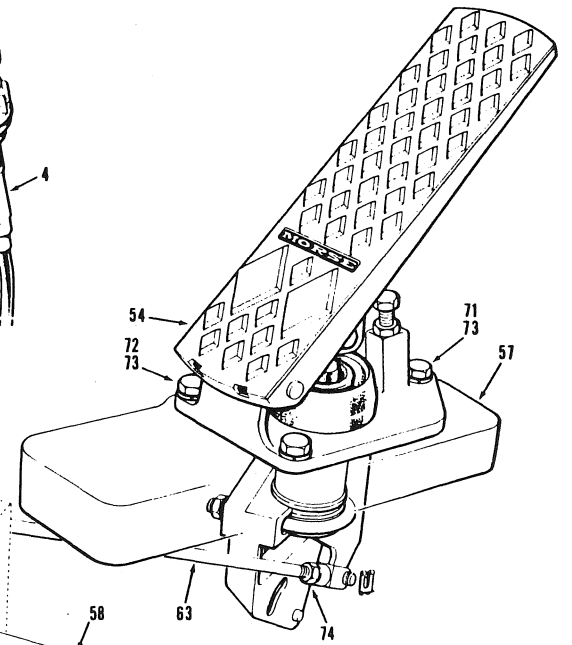
LT-10-C



6BT5.9



THROTTLE CONTROLS



ISSUE No.  
 N° D'ÉMISSION  
 N° DE EDICION 1 REVISION C

FOR LIST OF PARTS - TURN THIS PAGE

POUR LA LISTE DES PIÈCES - VOIR AU VERSO

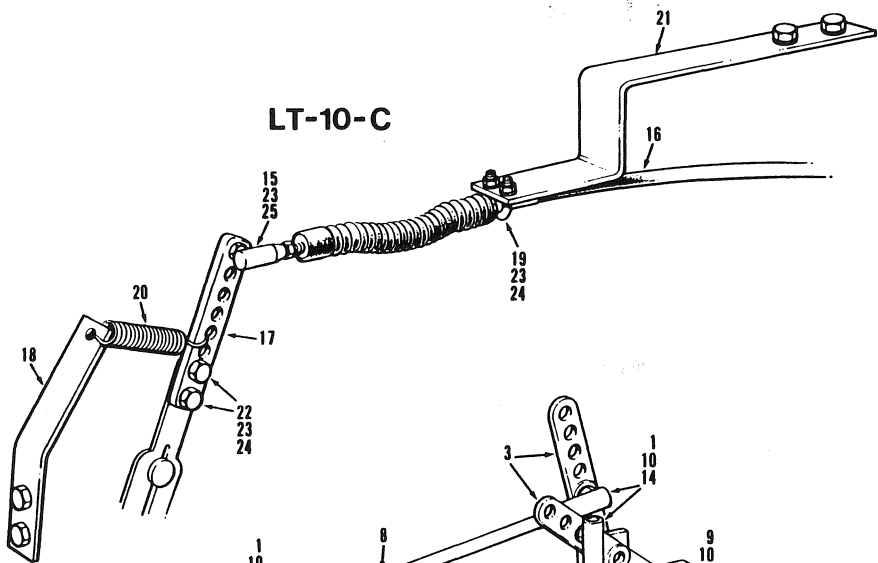
PARA LA LISTA DE LAS PIEZAS - VER AL VERSO

JANUARY 1988

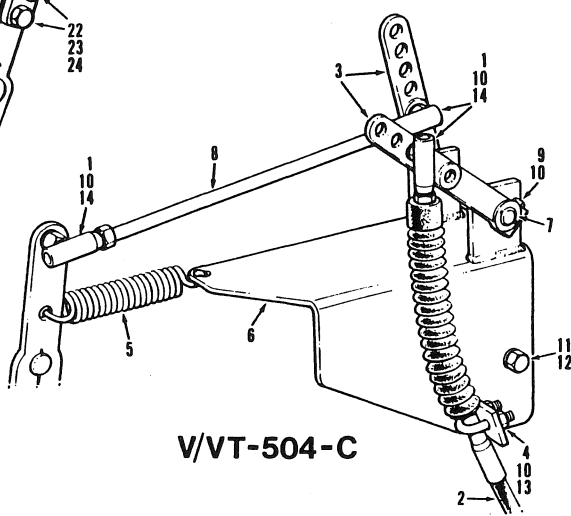
USE ONLY CHAMPION ROAD MACHINERY APPROVED PARTS

SECTION SECCION		PAGE PAGINA		ISSUE No. N° D'ÉMISSION N° DE EDICION		REVISION C		THROTTLE CONTROLS			JANUARY 1988	
No. N° N°	PART No. N° DE PIÈCE N° DE PIEZA	DESCRIPTION DÉSCRIPTION DESCRIPCION	No. REQ. N° REQ. N° REQ.	REMARKS REMARQUES NOTAS	No. N° N°	PART No. N° DE PIÈCE N° DE PIEZA	DESCRIPTION DÉSCRIPTION DESCRIPCION	No. REQ. N° REQ. N° REQ.	REMARKS REMARQUES NOTAS			
1	14214	CLIP	1									
2	23120	PIN	1									
3	19878	CABLE - ACCELERATOR	1									
4	19879	CABLE - HAND THROTTLE	1									
5	23125	END	1			19877	PEDAL ASSY. - INCLUDES ITEMS 43 TO 46 48 & 49	1				
6	23657	CLAMP	1									
7	27206	SPRING	1		43	23542	BELLOWS	1				
8	14C-05	FLATWASHER	2		44	23544	CLEVIS	1				
9	52L-1004	SCREW	2		45	23545	CLAMP	1				
10	53N-1003	SCREW	1		46	26098	U-BOLT	1				
11	14F-10	LOCKWASHER	2		47	34122	MOUNTING PAD	1				
12	32A-10	NUT	2		48	43969	PUSH ROD KIT	1				
		<u>BRACKET &amp; INSTALLATION - 6BT5.9</u>			49	43970	BEARING BLOCK ASSY.	1				
					50	50A-0406	BOLT	1				
					51	50A-0416	BOLT	2				
13	1759	BALL JOINT	1		52	14A-04	LOCKWASHER	3				
14	27051	U BOLT	1									
15	40510	BRACKET	1									
16	14A-04	LOCKWASHER	A.R.									
17	30A-04	NUT	2		53	1759	BALL JOINT	1				
18	31A-04	NUT	2		54	19877	PEDAL ASSY.	1				
		<u>BRACKET &amp; INSTALLATION - LT-10-C</u>			55	28980	BUSHING	6				
19	1759	BALL JOINT	1		56	40884	CABLE - ACCELERATOR	1				
20	23292	ARM	1		57	34122	MOUNTING PAD	1				
21	23293	ANCHOR	1		58	35842	SHAFT	1				
22	27051	U BOLT	1		59	35843	HUB - HAND THROTTLE	1				
23	36130	BRACKET	1		60	35844	HUB - ACCELERATOR	1				
24	50A-0408	BOLT	2		61	35845	HUB - DECELERATOR	1				
25	14A-04	LOCKWASHER	1		62	35847	PEDAL - DECELERATOR	1				
26	30A-04	NUT	4		63	35848	ROD	1				
27	31A-04	NUT	2		64	35851	CABLE - DECELERATOR	1				
28	50A-0606	BOLT	2		65	35852	CLEVIS	2				
29	14A-06	LOCKWASHER	A.R.		66	35853	SPRING	1				
		<u>BRACKET &amp; INSTALLATION - V/VT-504-C</u>			67	10A-0420	CLEVIS PIN	1				
30	1759	BALL JOINT	3		68	13A-0212	COTTER PIN	1				
31	27956	U BOLT ASSY.	1		69	29D-02	GREASE FITTING	3				
32	26904	LEVER	2		70	70A-0404	SETSCREW	2				
33	27206	SPRING	1		71	50A-0406	BOLT	1				
34	40887	BRACKET	1		72	50A-0416	BOLT	2				
35	40888	ROD	1		73	14A-04	LOCKWASHER	4				
36	40889	ROD	1		74	31A-04	NUT	4				
37	50A-0408	BOLT	2									
38	14A-04	LOCKWASHER	7									
39	30A-04	NUT	2									
40	31A-04	NUT	4									
41	50A-0606	BOLT	2									
42	14A-06	LOCKWASHER	2									

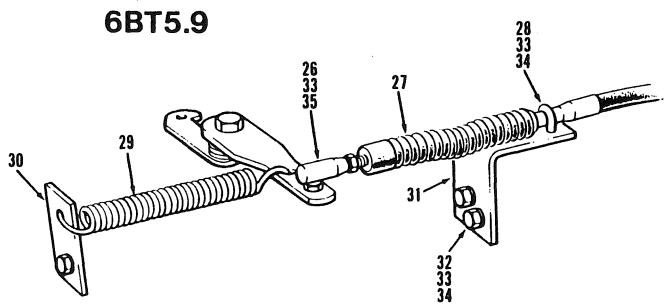




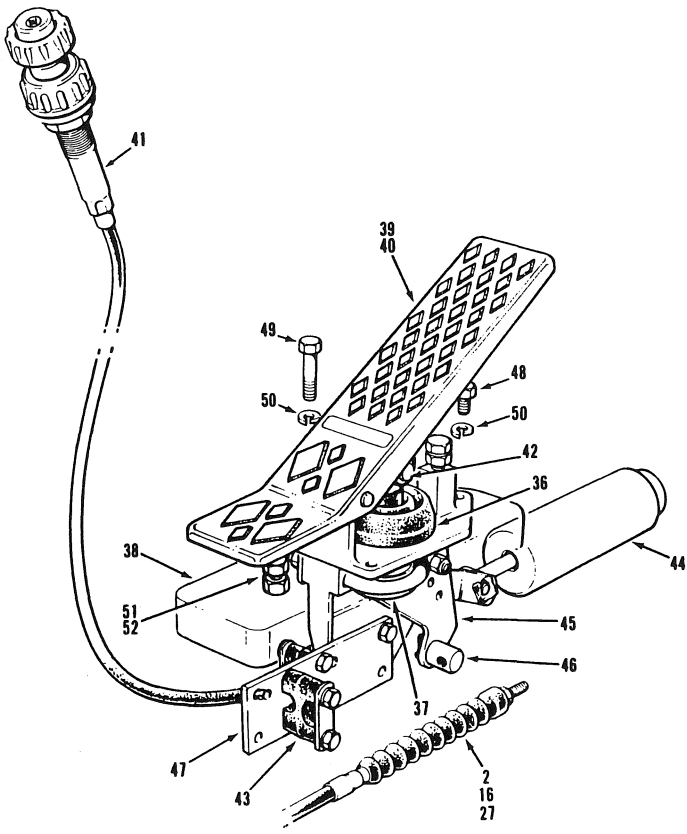
LT-10-C



V/VT-504-C



6BT5.9



ISSUE No.  
N° D'ÉMISSION  
N° DE EDICION 2

THROTTLE CONTROLS

SEPTEMBER 1985

FOR LIST OF PARTS - TURN THIS PAGE

POUR LA LISTE DES PIÈCES - VOIR AU VERSO

PARA LA LISTA DE LAS PIEZAS - VER AL VERSO

EFFECTIVE SERIAL NUMBERS) 16471 TO 16805  
NUMEROS) DE SÉRIE EFFECTIFS)  
NUMEROS) DE SERIE EFFECTIVOS)  
U.S. 2100-2 TO 2418-2

700 SERIES  
SERIE 700

SECTION 8 PAGE 5  
SECCION 8 PAGINA 5

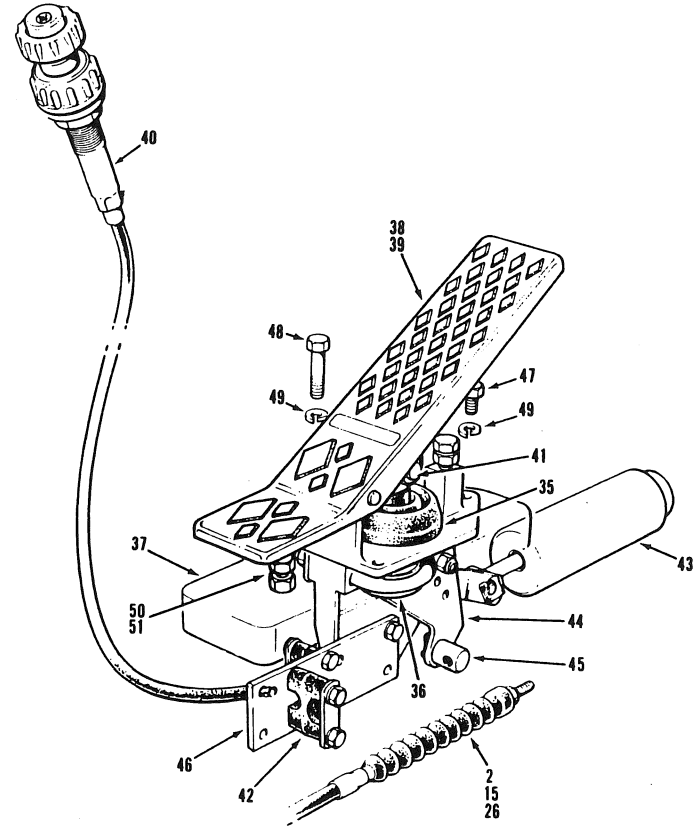
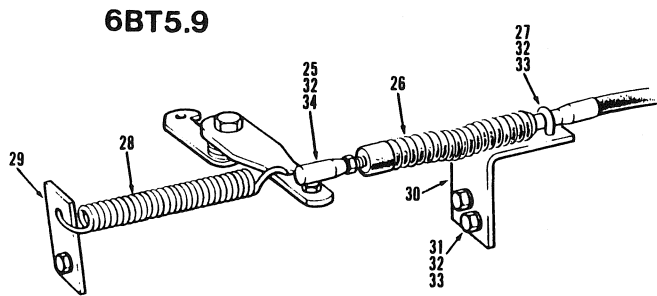
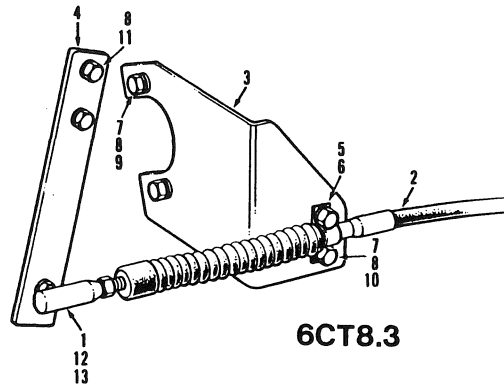
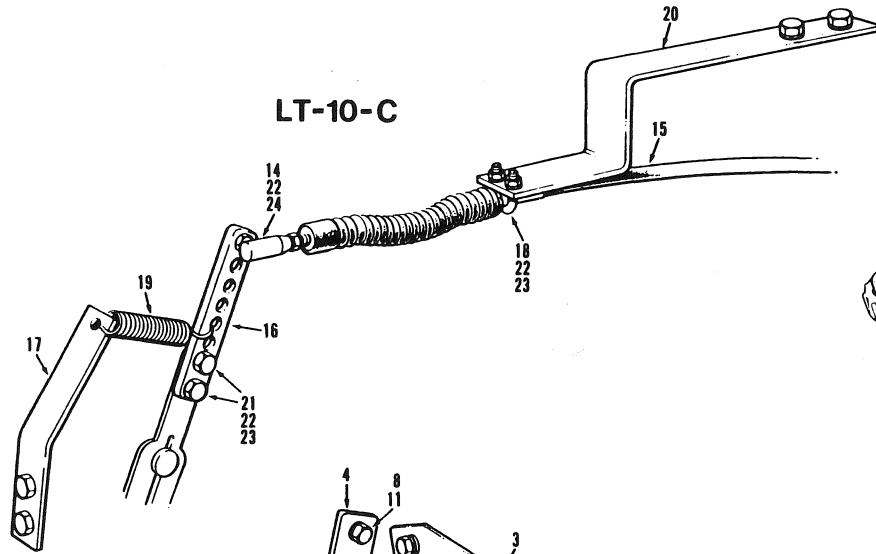
USE ONLY CHAMPION ROAD MACHINERY APPROVED PARTS

SECTION 8		PAGE 6		ISSUE No. N° D'ÉMISSION 2 N° DE EDICION		THROTTLE CONTROLS			SEPTEMBER 1985	
No. N° N°	PART No. N° DE PIÈCE N° DE PIEZA	DESCRIPTION DÉSCRIPTION DESCRIPCION	No. REQ. N° REQ. N° REQ.	REMARKS REMARQUES NOTAS	No. N° N°	PART No. N° DE PIÈCE N° DE PIEZA	DESCRIPTION DÉSCRIPTION DESCRIPCION	No. REQ. N° REQ. N° REQ.	REMARKS REMARQUES NOTAS	
<u>THROTTLE INSTALLATION - V/VT-504-C</u>					<u>ACCELERATOR/DECELERATOR INSTALLATION</u>					
1	1759	JOINT	3		36	23542	BELLOWS	1		
2	19878	CABLE	1		37	26098	U-BOLT	1		
3	26904	LEVER	2		38	341 22	PAD	1		
4	27051	U-BOLT	1		39	36718	PEDAL	1		
5	27206	SPRING	1		40	36748	PEDAL ASSY.-C/W ITEMS 36,37,39 & 42 TO 47	1		
6	40887	BRACKET	1		41	36749	CABLE	1		
7	40888	ROD	1		42	37066	LINKAGE	1		
8	40889	ROD	1		43	37067	ANCHOR ASSY.	1		
9	50A-0408	BOLT	6		44	37068	CANNISTER	1		
10	14A-04	LOCKWASHER	4		45	37069	ROD ASSY.	1		
11	50A-0604	BOLT	2		46	37070	TERMINAL KIT	1		
12	14A-06	LOCKWASHER	2		47	37071	BRACKET	1		
13	30A-04	NUT	2		48	50A-0406	BOLT	1		
14	31A-04	NUT	5		49	50A-0416	BOLT	2		
<u>THROTTLE INSTALLATION - LT-10-C</u>					50	14A-04	LOCKWASHER	4		
15	1759	JOINT	1		51	50A-0410	BOLT	1		
16	19878	CABLE	1		52	30A-04	NUT	1		
17	23292	EXTENSION ARM	1							
18	23293	ANCHOR	1							
19	27051	U-BOLT	1							
20	37034	SPRING	1							
21	41739	BRACKET	1							
22	50A-0408	BOLT	2							
23	14A-04	LOCKWASHER	5							
24	30A-04	NUT	4							
25	31A-04	NUT	1							
<u>THROTTLE INSTALLATION - 6BT5.9</u>										
26	1759	JOINT	1							
27	19878	CABLE	1							
28	27051	U-BOLT	1							
29	27206	SPRING	1							
30	41713	ANCHOR	1							
31	41714	BRACKET	1							
32	50A-0406	BOLT	2							
33	14A-04	LOCKWASHER	5							
34	30A-04	NUT	4							
35	31A-04	NUT	1							

EFFECTIVE SERIAL NUMBERS) 16806 & UP  
NUMEROS) DE SÉRIE EFFECTIFS)  
NUMEROS) DE SÉRIE EFFECTIVOIS)  
U.S. 2419-2 & UP

700 SERIES  
SERIE 700

SECTION 8 PAGE  
SECCION 8 PAGINA 5



ISSUE No.  
N° D'ÉMISSION  
N° DE EDICION 3

THROTTLE CONTROLS

SEPTEMBER 1985

FOR LIST OF PARTS - TURN THIS PAGE

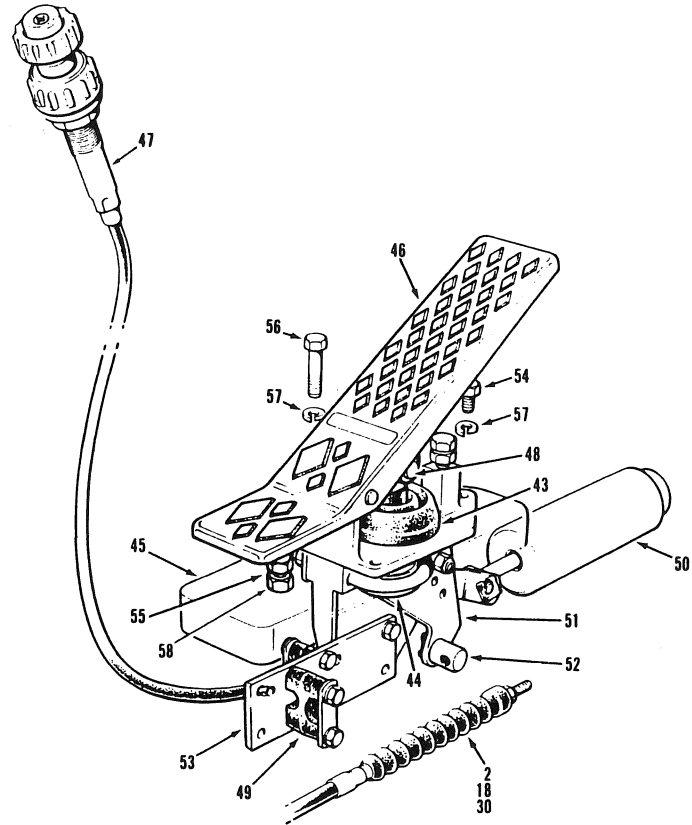
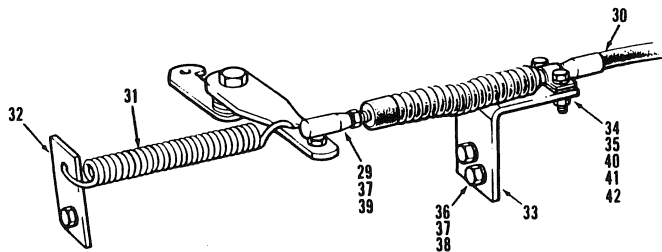
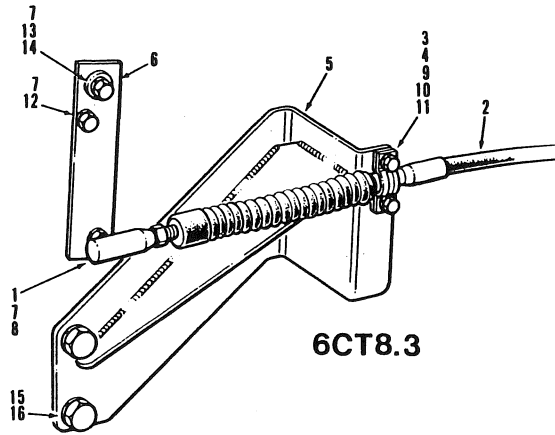
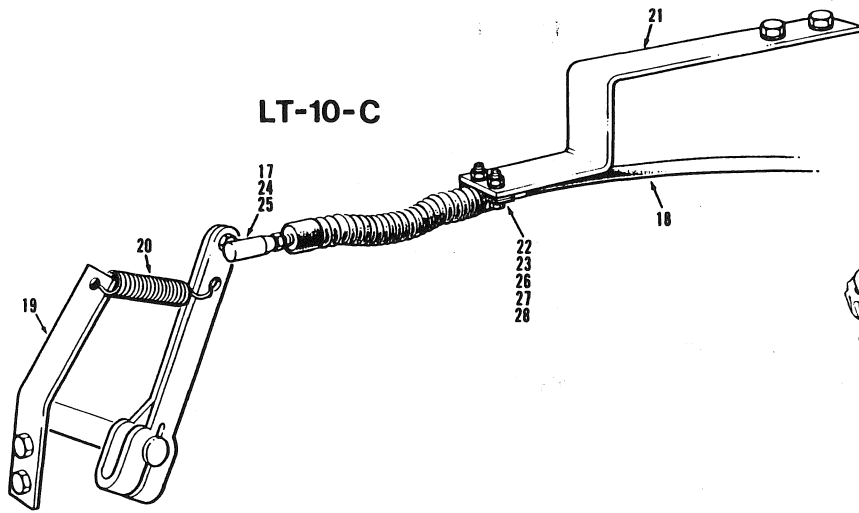
POUR LA LISTE DES PIÈCES - VOIR AU VERSO

PARA LA LISTA DE LAS PIEZAS - VER AL VERSO

USE ONLY CHAMPION ROAD MACHINERY APPROVED PARTS

SECTION SECCION 8		PAGE PAGINA 6	ISSUE No. N° D'ÉMISSION N° DE EDICION 3	THROTTLE CONTROLS			SEPTEMBER 1985		
No. N° N°	PART No. N° DE PIÈCE N° DE PIEZA	DESCRIPTION DESCRIPTION DESCRIPCION	No. REQ. N° REQ. N° REQ.	REMARKS REMARQUES NOTAS	No. N° N°	PART No. N° DE PIÈCE N° DE PIEZA	DESCRIPTION DESCRIPTION DESCRIPCION	No. REQ. N° REQ. N° REQ.	REMARKS REMARQUES NOTAS
<u>THROTTLE INSTALLATION - 6CT8.3</u>									
1	1759	JOINT	1		35	23542	BELLOWS	1	
2	19878	CABLE	1		36	26098	U-BOLT	1	
3	42185	BRACKET	1		37	34122	PAD	1	
4	42186	LEVER	1		38	36718	PEDAL	1	
5	42207	SHIM	2		39	36748	PEDAL ASSY.-C/W ITEMS 35,36,38 & 41 TO 46	1	
6	42208	CLAMP	1		40	36749	CABLE	1	
7	350A-05025	BOLT	4		41	37066	LINKAGE	1	
8	314A-05	LOCKWASHER	2		42	37067	ANCHOR ASSY.	1	
9	314C-05	FLATWASHER	2		43	37068	CANNISTER	1	
10	330A-05	NUT	2		44	37069	ROD ASSY.	1	
11	350A-05012	BOLT	2		45	37070	TERMINAL KIT	1	
12	14A-04	LOCKWASHER	1		46	37071	BRACKET	1	
13	31A-04	NUT	1		47	50A-0406	BOLT	1	
<u>THROTTLE INSTALLATION - LT-10-C</u>					48	50A-0416	BOLT	2	
14	1759	JOINT	1		49	14A-04	LOCKWASHER	4	
15	19878	CABLE	1		50	50A-0410	BOLT	1	
16	23292	EXTENSION	1		51	30A-04	NUT	1	
17	23293	ANCHOR	1						
18	27051	U-BOLT	1						
19	37034	SPRING	1						
20	41739	BRACKET	1						
21	50A-0408	BOLT	2						
22	14A-04	LOCKWASHER	5						
23	30A-04	NUT	4						
24	31A-04	NUT	1						
<u>THROTTLE INSTALLATION - 6BT5.9</u>									
25	1759	JOINT	1						
26	19878	CABLE	1						
27	27051	U-BOLT	1						
28	27206	SPRING	1						
29	41713	ANCHOR	1						
30	41714	BRACKET	1						
31	50A-0406	BOLT	2						
32	14A-04	LOCKWASHER	5						
33	30A-04	NUT	4						
34	31A-04	NUT	1						

CHAMPION ROAD MACHINERY



EFFECTIVE SERIAL NUMBER(S) 16869 & UP  
 NUMERO(S) DE SERIE EFFECTIF(S)  
 NUMERO(S) DE SERIE EFFECTIVO(S)  
 U.S. NOT APPLICABLE

700 SERIES  
 SERIE 700

SECTION 8 PAGE 5  
 SECTION 8 PAGINA 5

ISSUE No.  
 N° D'ÉMISSION  
 N° DE EDICION 4 REVISION A

THROTTLE CONTROLS

JANUARY 1988

FOR LIST OF PARTS - TURN THIS PAGE

POUR LA LISTE DES PIÈCES - VOIR AU VERSO

DADA LA LISTA DE LAS PIEZAS - VEDA AL VERSO

USE ONLY CHAMPION ROAD MACHINERY APPROVED PARTS

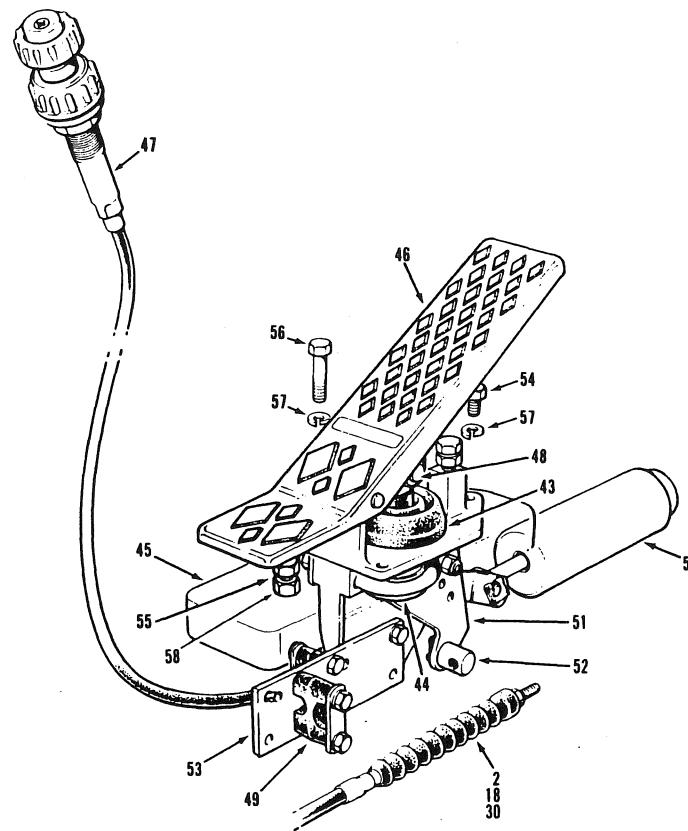
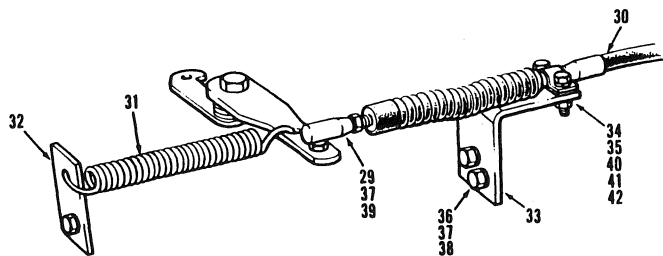
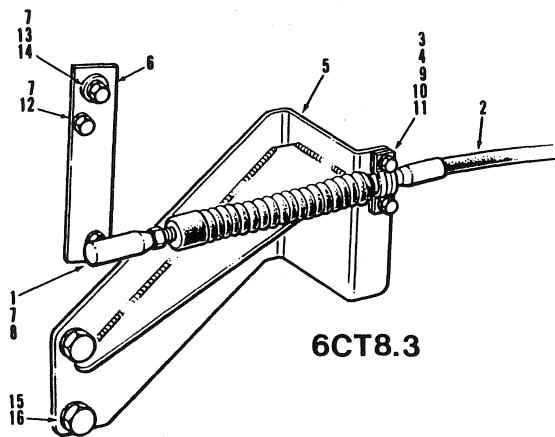
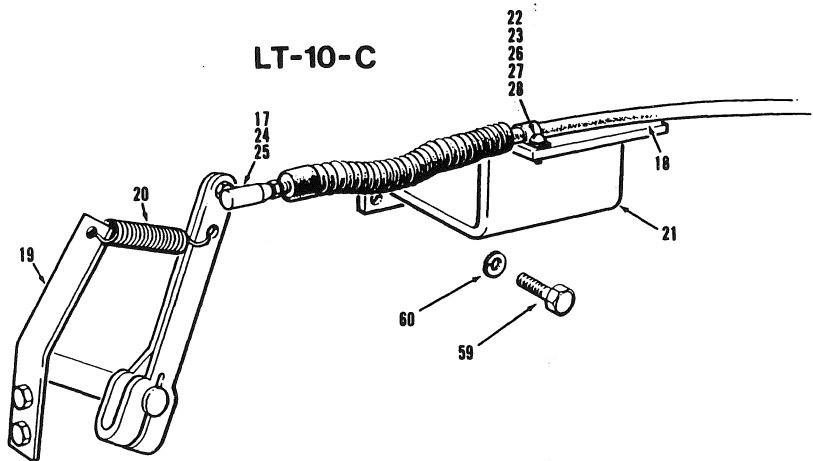
SECTION SECCION	PAGE PAGINA	ISSUE No. N° D'ÉMISSION N° DE EDICION	4 REVISION A	THROTTLE CONTROLS				JANUARY 1988	
No. N° N°	PART No. N° DE PIECE N° DE PIEZA	DESCRIPTION DÉSCRIPTION DESCRIPCION	No. REQ. N° REQ. N° REQ.	REMARKS REMARQUES NOTAS	No. N° N°	PART No. N° DE PIECE N° DE PIEZA	DESCRIPTION DÉSCRIPTION DESCRIPCION	No. REQ. N° REQ. N° REQ.	REMARKS REMARQUES NOTAS
<u>THROTTLE INSTALLATION - 6CT8.3</u>					<u>ACCELERATOR/DECELERATOR INSTALLATION</u>				
1	1759	JOINT	1		43	23542	BELLOWS	1	
2	19878	CABLE	1		44	26098	U-BOLT	1	
3	42207	SHIM	2		45	34122	PAD	1	
4	42208	CLAMP	1		46	36748	PEDAL ASSY.-C/W ITEMS 43,44, & 47 TO 52	1	
5	43080	BRACKET	1		47	36749	CABLE	1	
6	43113	LEVER	1		48	37066	LINKAGE	1	
7	14A-04	LOCKWASHER	3		49	37067	ANCHOR ASSY.	1	
8	31A-04	NUT	1		50	37068	CANNISTER	1	
9	350A-05025	BOLT	2		51	37069	ROD ASSY.	1	
10	314A-05	LOCKWASHER	2		52	37070	TERMINAL KIT	1	
11	330A-05	NUT	2		53	37071	BRACKET	1	
12	*350A-06012	BOLT	1		54	50A-0406	BOLT	1	
13	*350A-06016	BOLT	1		55	50A-0410	BOLT	1	
14	*314C-06	FLATWASHER	1		56	50A-0416	BOLT	2	
15	350A-10025	BOLT	2		57	14A-04	LOCKWASHER	4	
16	*314A-10	LOCKWASHER	2		58	30A-04	NUT	1	
<u>THROTTLE INSTALLATION - LT-10-C</u>									
17	1759	JOINT	1						
18	19878	CABLE	1						
19	23293	ANCHOR	1						
20	37034	SPRING	1						
21	41739	BRACKET	1						
22	42207	SHIM	1						
23	42208	CLAMP	1						
24	14A-04	LOCKWASHER	1						
25	31A-04	NUT	1						
26	350A-05025	BOLT	2						
27	314A-05	LOCKWASHER	2						
28	330A-05	NUT	2						
<u>THROTTLE INSTALLATION - 68T5.9</u>									
29	1759	JOINT	1						
30	19878	CABLE	1						
31	37034	SPRING	1						
32	41713	ANCHOR	1						
33	41714	BRACKET	1						
34	42207	SHIM	1						
35	42208	CLAMP	1						
36	50A-0406	BOLT	2						
37	14A-04	LOCKWASHER	5						
38	30A-04	NUT	4						
39	31A-04	NUT	1						
40	350A-05025	BOLT	2						
41	314A-05	LOCKWASHER	2						
42	330A-05	NUT	2						

EFFECTIVE SERIAL NUMBERS (S)  
 NUMEROS (S) DE SÉRIE EFFECTIFS (S)  
 NUMEROS (S) DE SERIE EFECTIVOS (S)

19247 to 19250, 19252, 19255,  
 19259 & UP

700 SERIES  
 SERIE 700

SECTION 8  
 SECCION 8  
 PAGE 5  
 PAGINA 5



ISSUE No.  
 N° D'ÉMISSION  
 N° DE EDICION

5

THROTTLE CONTROLS

OCTOBER 1989

FOR LIST OF PARTS - TURN THIS PAGE

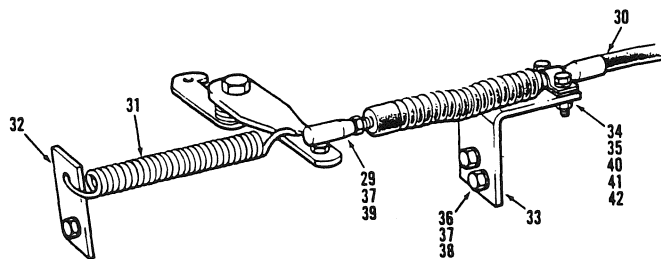
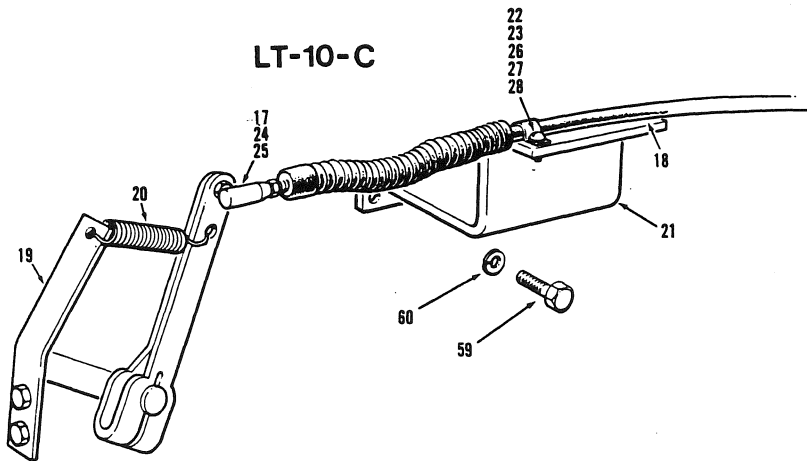
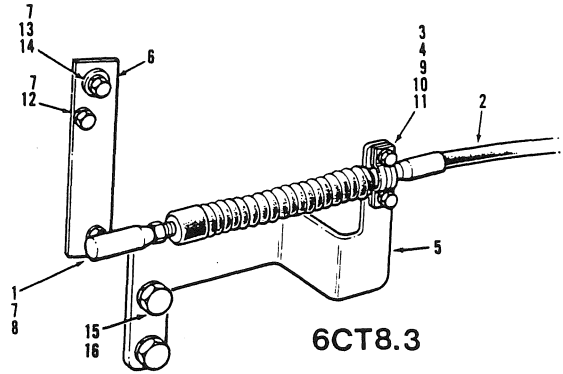
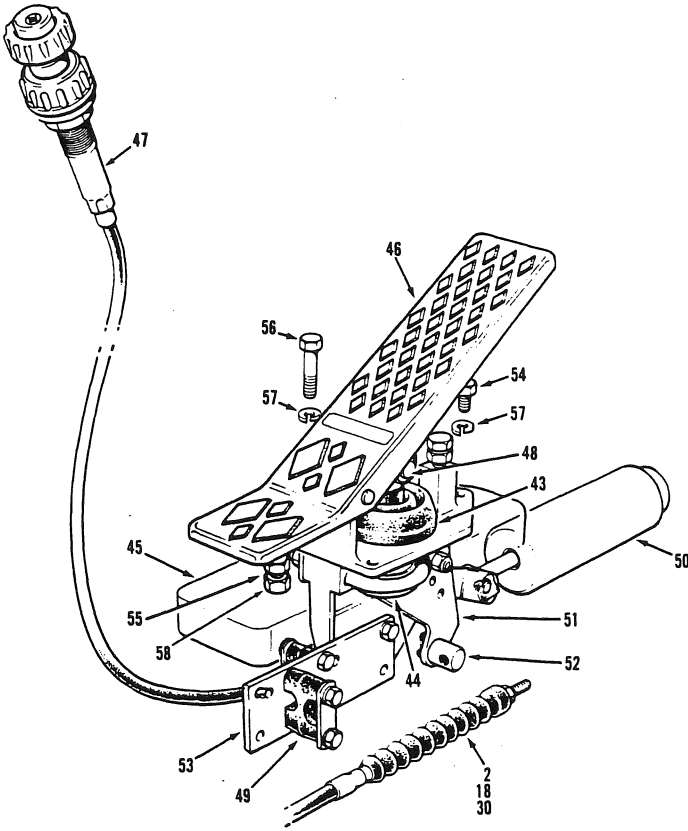
POUR LA LISTE DES PIÈCES - VOIR AU VERSO

PARA LA LISTA DE LAS PIEZAS - VER AL VERSO

USE ONLY CHAMPION ROAD MACHINERY APPROVED PARTS







EFFECTIVE SERIAL NUMBER(S) 21398 & UP  
 NUMERO(S) DE SÉRIE EFFECTIF(S) EXCLUDING 21405, 21406,  
 NUMERO(S) DE SERIE EFECTIVO(S) 21419 & 21420

**700 SERIES**  
**SERIE 700**

**SECTION 8**  
**SECCION 8**

**PAGE 5**  
**PAGINA 5**

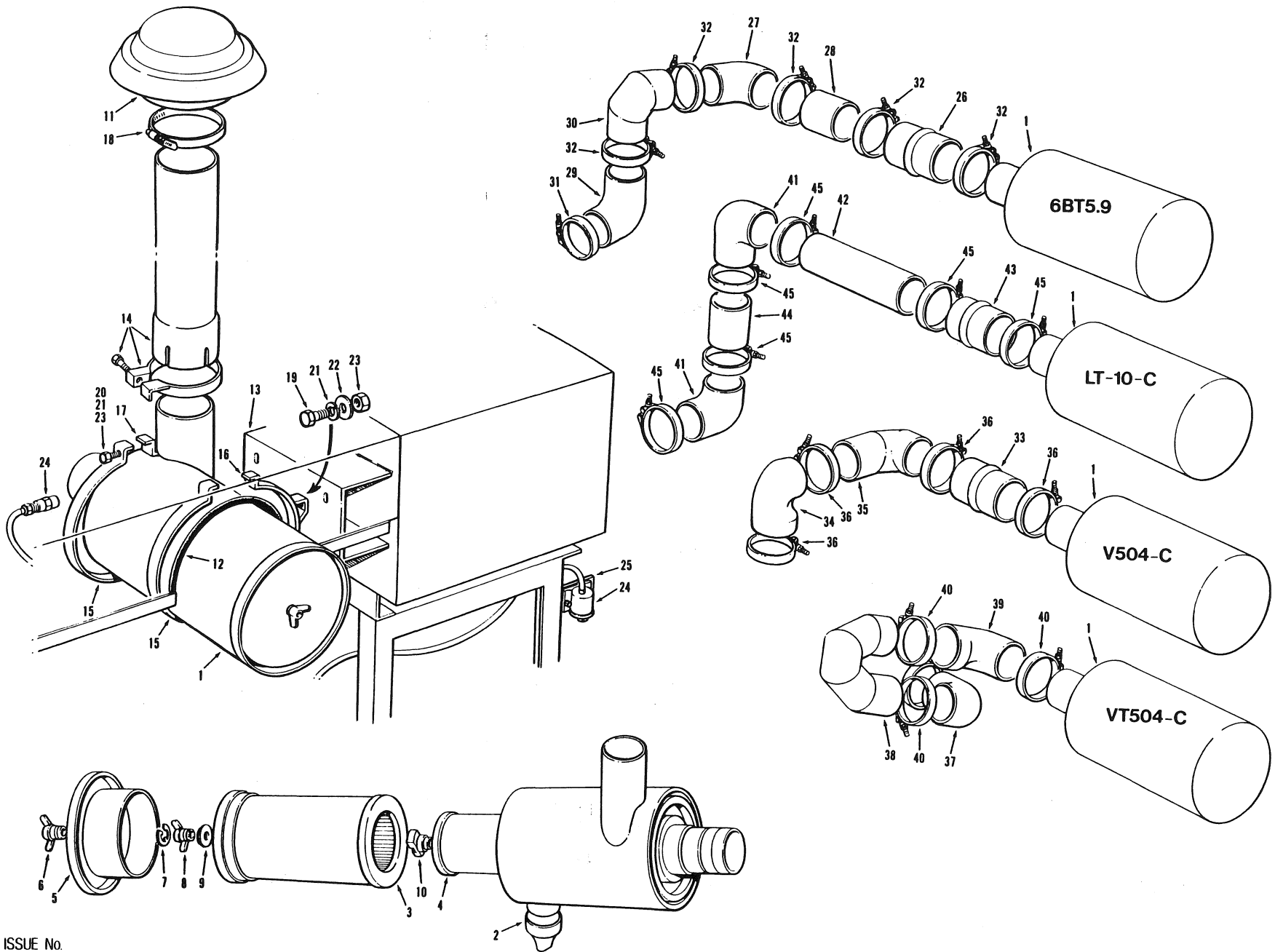
ISSUE No.  
 N° D'ÉMISSION  
 N° DE EDICION

SECTION SECCION		PAGE PAGINA		ISSUE No. N° D'ÉMISSION N° DE EDICION		THROTTLE CONTROLS				JUNE 1991	
No. N° N°	PART No. N° DE PIÈCE N° DE PIEZA	DESCRIPTION DÉSCRIPTION DESCRIPCION	No. REQ. N° REQ. N° REQ.	REMARKS REMARQUES NOTAS	No. N° N°	PART No. N° DE PIÈCE N° DE PIEZA	DESCRIPTION DÉSCRIPTION DESCRIPCION	No. REQ. N° REQ. N° REQ.	REMARKS REMARQUES NOTAS		
<b>THROTTLE INSTALLATION - 6CT9.3</b>					<b>ACCELERATOR/DECELERATOR INSTALLATION</b>						
1	1759	JOINT	1		43	23542	BELLOWS	1			
2	*57641	CABLE	1		44	26098	U-BOLT	1			
3	42207	SHIM	2		45	34122	PAD	1			
4	42208	CLAMP	1		46	36748	PEDAL ASSEMBLY - C/W ITEMS 43, 44, & 47 TO 52	1			
5	*57925	BRACKET	1		47	36749	CALBE	1			
6	43113	LEVER	1		48	37066	LINKAGE	1			
7	14A-04	LOCKWASHER	3		49	37067	ANCHOR ASSEMBLY	1			
8	31A-04	NUT	1		50	37068	CANNISTER	1			
9	350A-05025	BOLT	2		51	37069	ROD ASSEMBLY	1			
10	314A-05	LOCKWASHER	2		52	37070	TERMINAL KIT	1			
11	330A-05	NUT	2		53	37071	BRACKET	1			
12	350A-06012	BOLT	1		54	50A-0406	BOLT	1			
13	350A-06016	BOLT	1		55	50A-0410	BOLT	1			
14	314C-06	FLATWASHER	1		56	50A-0416	BOLT	2			
15	350A-10025	BOLT	2		57	14A-04	LOCKWASHER	4			
16	314A-10	LOCKWASHER	2		58	30A-04	NUT	1			
<b>THROTTLE INSTALLATION - LT-10-C</b>											
17	1759	JOINT	1								
18	*57641	CABLE	1								
19	23293	ANCHOR	1		59	350A-10025	BOLT	2	LT-10-C		
20	37034	SPRING	1		60	314A-10	LOCKWASHER	2	LT-10-C		
21	48808	BRACKET	1								
22	42207	SHIM	1								
23	42208	CLAMP	1								
24	14A-04	LOCKWASHER	1								
25	31A-04	NUT	1								
26	350A-05025	BOLT	2								
27	314A-05	LOCKWASHER	2								
28	330A-05	NUT	2								
<b>THROTTLE INSTALLATION - 6BT5.9</b>											
29	1759	JOINT	1								
30	*57641	CABLE	1								
31	37034	SPRING	1								
32	41713	ANCHOR	1								
33	41714	BRACKET	1								
34	42207	SHIM	1								
35	42208	CLAMP	1								
36	50A-0406	BOLT	2								
37	14A-04	LOCKWASHER	5								
38	30A-04	NUT	4								
39	31A-04	NUT	1								
40	350A-05025	BOLT	2								
41	314A-05	LOCKWASHER	2								
42	330A-05	NUT	2								

EFFECTIVE SERIAL NUMBER(S) 16224, 16245 & UP  
 NUMEROS(S) DE SERIE EFFECTIF(S)  
 NUMEROS(S) DE SERIE EFFECTIVOIS  
 U.S. 2021-2 & UP

700 SERIES  
 SERIE 700

SECTION 8 PAGE 7  
 SECTION 8 PAGINA 7



ISSUE No.  
 N° D'ÉMISSION  
 N° DE EDICION 1

AIR INTAKE INSTALLATION

OCTOBER 1984

FOR LIST OF PARTS - TURN THIS PAGE

POUR LA LISTE DES PIÈCES - VOIR AU VERSO

PARA LA LISTA DE LAS PIEZAS - VER AL VERSO

USE ONLY CHAMPION ROAD MACHINERY APPROVED PARTS

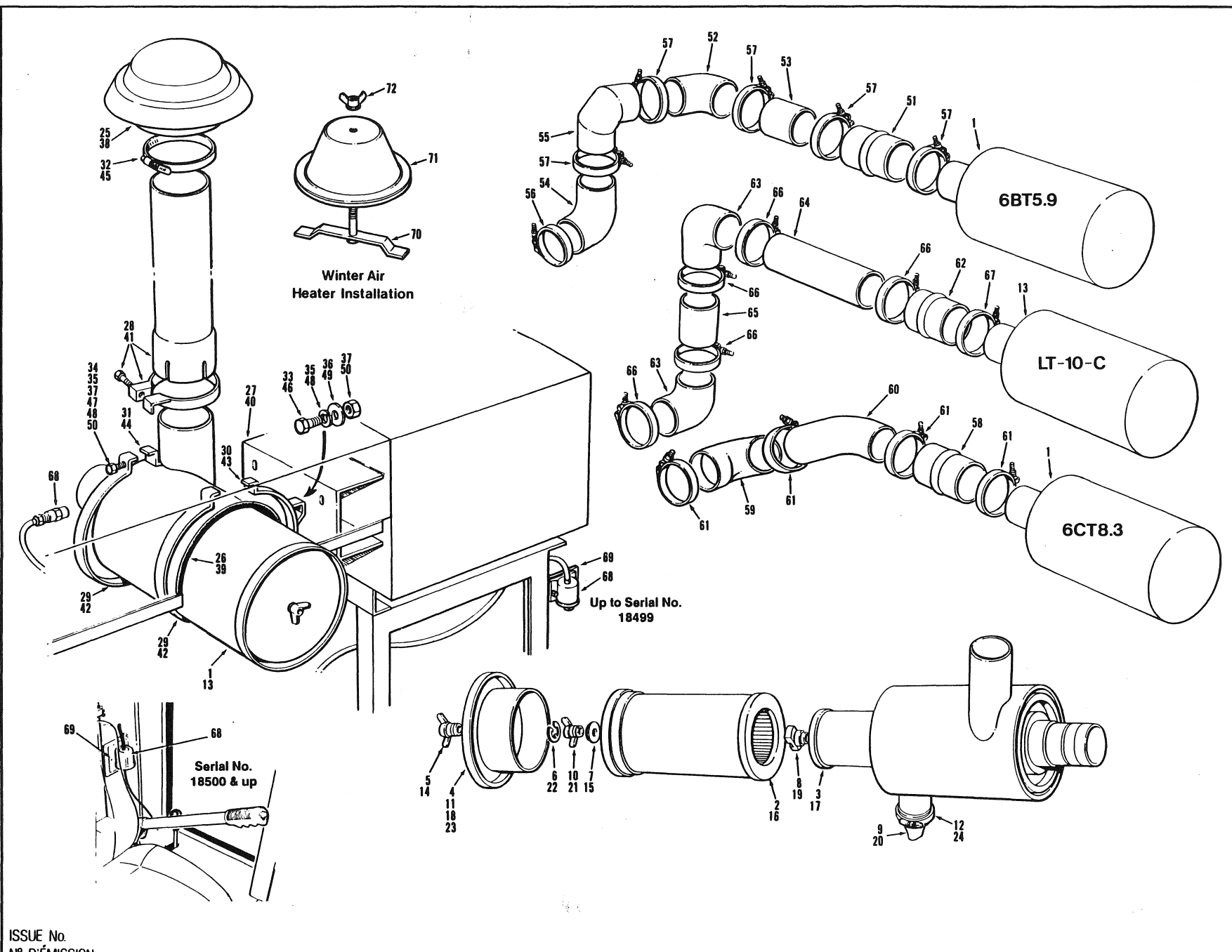
SECTION SECCION 8		PAGE PAGINA 8	ISSUE No. N° D'ÉMISSION N° DE EDICION 1	AIR INTAKE INSTALLATION				OCTOBER 1984	
No. N° N°	PART No. N° DE PIÉCE N° DE PIEZA	DESCRIPTION DÉSCRIPTION DESCRIPCION	No. REQ. N° REQ. N° REQ.	REMARKS REMARQUES NOTAS	No. N° N°	PART No. N° DE PIÉCE N° DE PIEZA	DESCRIPTION DÉSCRIPTION DESCRIPCION	No. REQ. N° REQ. N° REQ.	REMARKS REMARQUES NOTAS
<u>AIR CLEANER ASSEMBLY</u>				ALL MODELS	<u>6BT5.9 INSTALLATION</u>				
1	32688	AIR CLEANER ASSY. - INCLUDES ITEMS 2 TO 10	1		26	28443	HUMP HOSE	1	
2	24154	VACUATOR VALVE	1		27	32990	ELBOW	1	
3	28120	ELEMENT - PRIMARY	1		28	36449	TUBE	1	
4	28121	ELEMENT - SAFETY	1		29	40263	ELBOW	1	
5	28122	COVER	1		30	40273	TUBE	1	
6	28123	WING NUT	1		31	22A-400	CLAMP	1	
7	28124	NUT CLIP	1		32	22A-450	CLAMP	5	
8	34118	WING NUT	1						
9	34119	GASKET	1						
10	34120	SAFETY SIGNAL	1						
<u>AIR CLEANER INSTALLATION</u>				ALL MODELS	<u>V-504-C INSTALLATION</u>				
					33	28443	HUMP HOSE	1	
					34	40192	ELBOW	1	
					35	40429	ELBOW	1	
11	7898	RAIN CAP	1		36	22A-450	CLAMP	4	
12	32576x36	TRIM - LOK	1	6BT5.9 & LT-10-C					
<u>AIR CLEANER INSTALLATION</u>					<u>VT-504-C INSTALLATION</u>				
13	40059	BRACKET	1						
14	40080	EXTENSION - INCLUDES CLAMP AND HARDWARE	1						
15	40209	HALF BRACKET	2		37	16280	ELBOW	1	
16	40210	MOUNTING BAND	1		38	40191	TUBE	1	
17	40212	BRACKET	1		39	40192	ELBOW	1	
18	22B-500	CLAMP	1		40	22A-450	CLAMP	4	
19	50A-0510	BOLT	4						
20	50A-0516	BOLT	4						
21	14A-05	LOCKWASHER	6						
22	14C-05	FLATWASHER	4		41	16280	ELBOW - 90°	2	
23	30A-05	NUT	8		42	28051-2	TUBE	1	
					43	28443	HUMP HOSE	1	
					44	32987	TUBE	1	
					45	22A-450	CLAMP	6	
<u>RESTRICTION INDICATOR INSTALLATION</u>					<u>LT-10-C INSTALLATION</u>				
24	33226	RESTRICTION INDICATOR KIT	1						
25	40229	BRACKET	1	REPAIR PART					

EFFECTIVE SERIAL NUMBERS)  
 NUMEROS) DE SÉRIE EFFECTIFS)  
 NUMEROS) DE SERIE EFFECTIVOS)

16806 TO 19564

700 SERIES  
 SERIE 700

SECTION 8  
 SECCION 8  
 PAGE 7  
 PAGINA 7



USE ONLY CHAMPION ROAD MACHINERY APPROVED PARTS

ISSUE No.  
 N° D'ÉMISSION  
 N° DE EDICION 2 REVISION D

AIR INTAKE INSTALLATION

APRIL 1989

FOR LIST OF PARTS - TURN THIS PAGE      POUR LA LISTE DES PIÈCES - VOIR AU VERSO      PARA LA LISTA DE LAS PIEZAS - VER AL VERSO

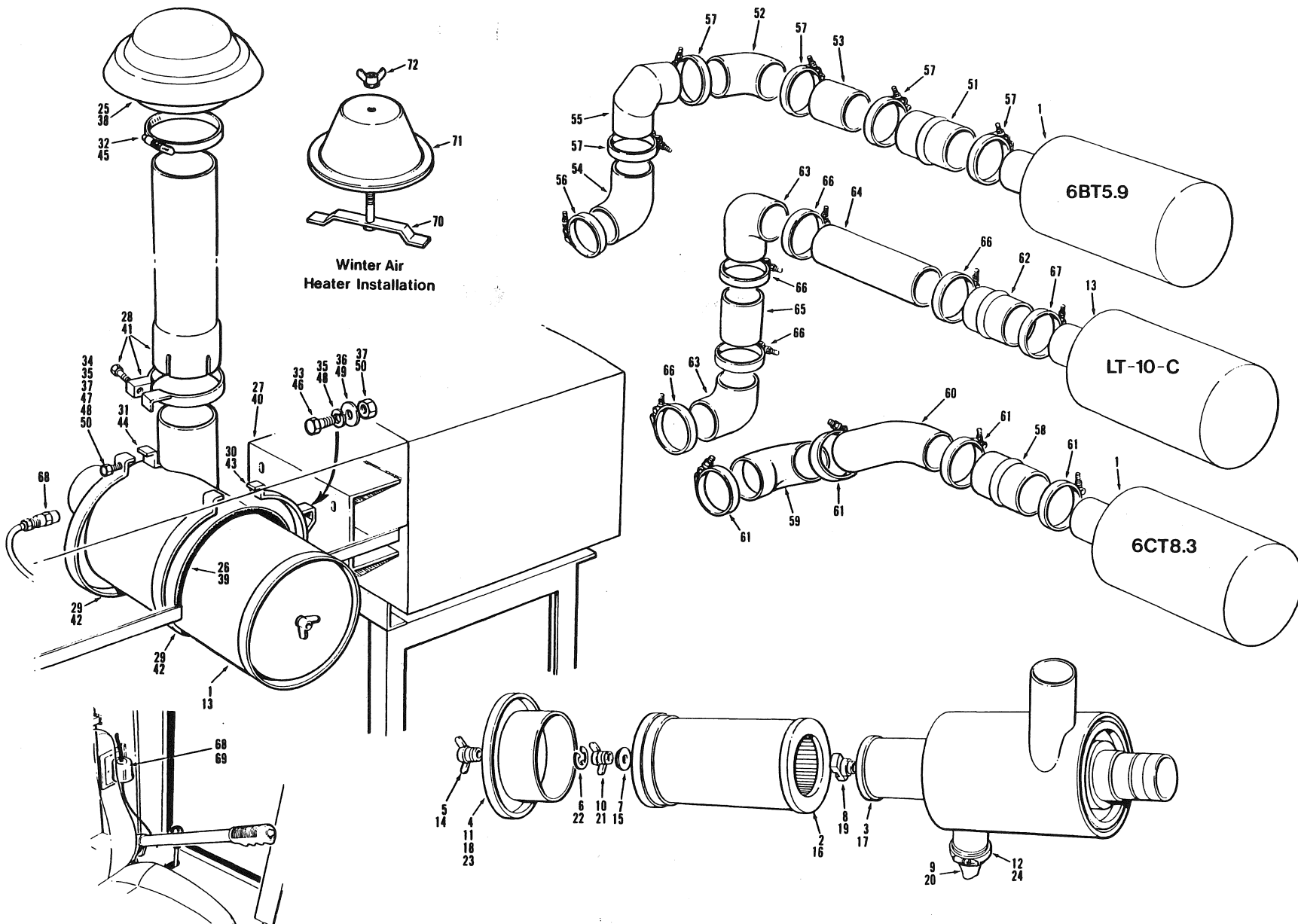


CHAMPION ROAD MACHINERY

EFFECTIVE SERIAL NUMBERS) 19565, 19566, 19568 TO 19578,  
 NUMEROS) DE SERIE EFFECTIFS) 19580 TO 19610, 19612 TO 19614,  
 NUMEROS) DE SERIE EFFECTIVOS) 19616, 19618 & UP

700 SERIES  
 SERIE 700

SECTION 8 PAGE 7  
 SECTION 8 PAGE 7  
 SECTION 8 PAGE 7



ISSUE No.  
 N° D'ÉMISSION  
 N° DE EDICION 3 REVISION A

AIR INTAKE INSTALLATION

APRIL 1989

FOR LIST OF PARTS - TURN THIS PAGE

POUR LA LISTE DES PIÈCES - VOIR AU VERSO

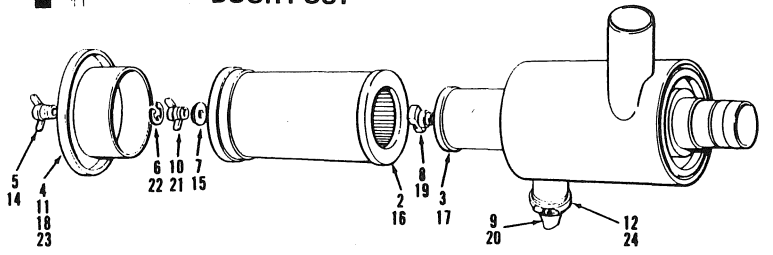
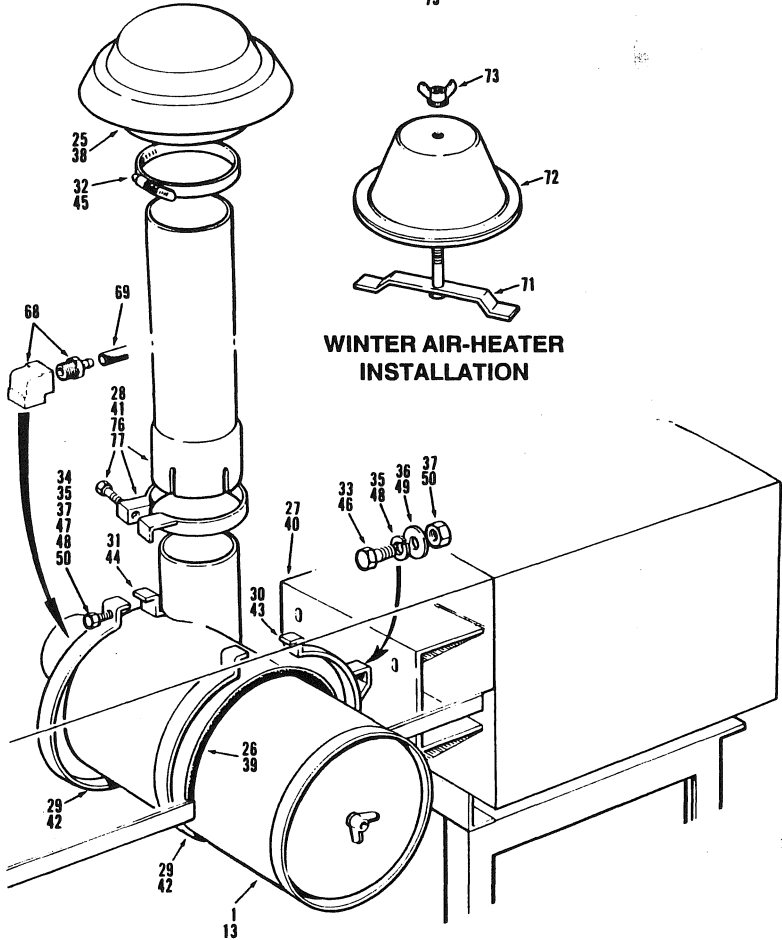
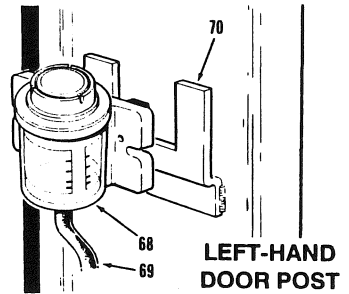
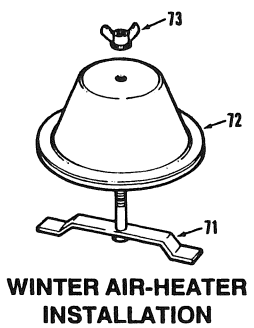
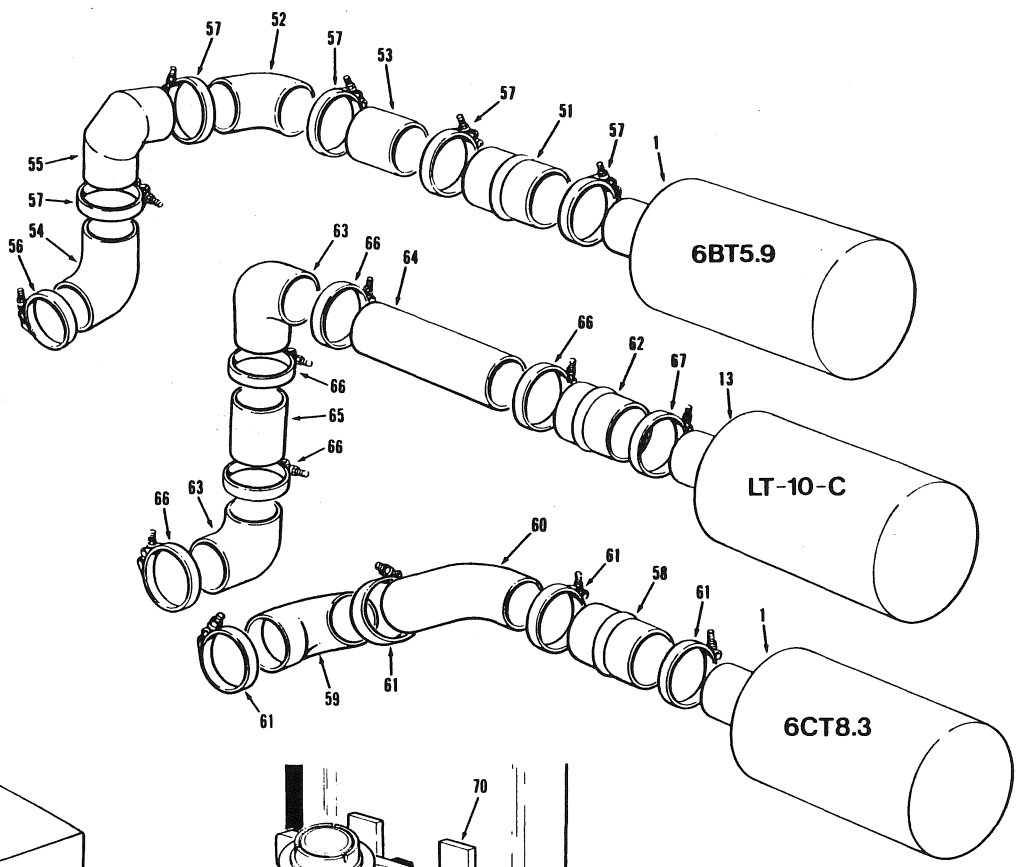
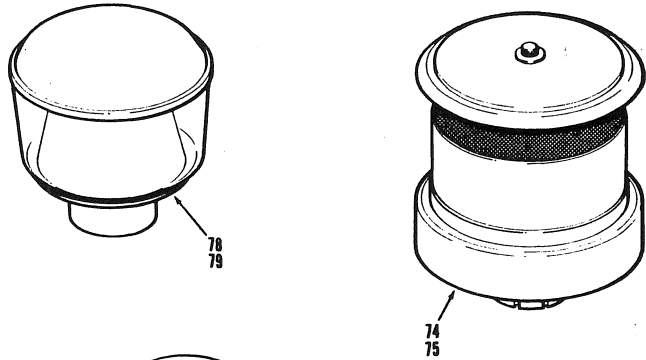
PARA LA LISTA DE LAS PIEZAS - VER AL VERSO

USE ONLY CHAMPION ROAD MACHINERY APPROVED PARTS

SECTION SECCION 8		PAGE PAGINA 8	ISSUE No. N° D'ÉMISSION N° DE EDICION 3 REVISION A	AIR INTAKE INSTALLATION			APRIL 1989		
No. N° N°	PART No. N° DE PIÈCE N° DE PIEZA	DESCRIPTION DÉSCRIPTION DESCRIPCION	No. REQ. N° REQ. N° REQ.	REMARKS REMARQUES NOTAS	No. N° N°	PART No. N° DE PIECE N° DE PIEZA	DESCRIPTION DÉSCRIPTION DESCRIPCION	No. REQ. N° REQ. N° REQ.	REMARKS REMARQUES NOTAS
<u>AIR CLEANER ASSEMBLY</u>				6BT5.9 & 6CT8.3	<u>AIR CLEANER INSTALLATION</u>				L-10-C
1	32688	AIR CLEANER ASSY.-INCLUDES ITEMS 2 TO 11	1		38	10886	RAIN CAP	1	
2	28120	ELEMENT - PRIMARY	1		39	32576 X 40	TRIM LOK	1	
3	28121	ELEMENT - SAFETY	1		40	51154	BRACKET	1	
4	28122	COVER	1		41	42371	EXTENSION - INCLUDES CLAMP & HARDWARE	1	
5	28123	WING NUT	1		42	42406	HALF BRACKET	2	
6	28124	NUT CLIP	1		43	51144	MOUNTING BAND	1	
7	34119	GASKET	1		44	51147	MOUNTING BAND	1	
8	34120	NUT ASSEMBLY	1		45	22B-104	CLAMP	1	
9	37402	VACUATOR VALVE	1						
10	37403	WING NUT	1		46	50A-0510	BOLT	4	
11	45476	GASKET	1		47	50A-0516	BOLT	4	
12	22B-48	CLAMP	1		48	14A-05	LOCKWASHER	6	
<u>AIR CLEANER ASSEMBLY</u>				L-10-C	49	14C-05	FLATWASHER	4	
13	33940	AIR CLEANER ASSY.-INCLUDES ITEMS 14 TO 23	1		50	30A-05	NUT	8	
14	28123	WING NUT	1		<u>6BT5.9 INTAKE INSTALLATION</u>				
15	34119	GASKET	1		51	28443	HUMP HOSE	1	
16	37398	ELEMENT - PRIMARY	1		52	32990	ELBOW	1	
17	37399	ELEMENT - SAFETY	1		53	36449	TUBE	1	
18	37400	COVER	1		54	40263	ELBOW	1	
19	37401	NUT ASSEMBLY	1		55	40429	TUBE	1	
20	37402	VACUATOR VALVE	1		56	22A-375	CLAMP	1	
21	37403	WING NUT	1		57	22A-450	CLAMP	5	
22	37405	NUT CLIP	1		<u>6CT8.3 INTAKE INSTALLATION</u>				
23	37406	GASKET	1		58	28443	HUMP HOSE	1	
24	22B-48	CLAMP	1		59	40192	ELBOW	1	
<u>AIR CLEANER INSTALLATION</u>				6 BT5.9 & 6 CT8.3	60	41798	CONNECTING PIPE	1	
25	7898	RAIN CAP	1		61	22A-450	CLAMP	4	
26	32576 X 36	TRIM LOK	1		<u>LT-10-C INTAKE INSTALLATION</u>				
27	51154	BRACKET	2		62	9246	HUMP HOSE	1	
28	40080	EXTENSION - INCLUDES CLAMP & HARDWARE	1		63	16280	ELBOW	2	
29	40209	HALF BRACKET	1		64	28051-2	CONNECTING TUBE	1	
30	51143	MOUNTING BAND	1		65	32987	CONNECTING TUBE	1	
31	51141	BRACKET	1		66	22A-450	CLAMP	5	
32	22B-84	CLAMP	1		67	22A-550	CLAMP	1	
33	50A-0510	BOLT	4		<u>RESTRICTION INDICATOR INSTALLATION</u>				
34	50A-0516	BOLT	4		68	*33226	RESTRICTION INDICATOR KIT	1	
35	14A-05	LOCKWASHER	6		69	62A-1006	SCREW	2	
36	14C-05	FLATWASHER	4		<u>WINTER AIR INTAKE HEATER INSTALLATION</u>				
37	30A-05	NUT	8		70	41935	CLAMPING BAR	1	
					71	41943	HOOD ASSEMBLY	1	
					72	36T-06	WING LOCKNUT	1	



CHAMPION ROAD MACHINERY



AIR INTAKE INSTALLATION

JANUARY 1990

FOR LIST OF PARTS - TURN THIS PAGE

POUR LA LISTE DES PIÈCES - VOIR AU VERSO

PARA LA LISTA DE LAS PIEZAS - VER AL VERSO

USE ONLY CHAMPION ROAD MACHINERY APPROVED PARTS

EFFECTIVE SERIAL NUMBER(S)  
 NUMEROS(D) DE SERIE EFFECTIF(S)  
 NUMEROS(D) DE SERIE EFECTIVOS

20194 to 20197, 20199 to 20203,  
 20204 to 20210, 20212 to 20214,  
 20216 to 20382.  
 Excluding 20227 to 20232 and  
 20265 to 20375

700 SERIES  
 SERIE 700

SECTION 8  
 SECTION 8  
 PAGE 7  
 PAGINA 7

ISSUE No.  
 N° D'ÉMISSION  
 N° DE EDICION 4

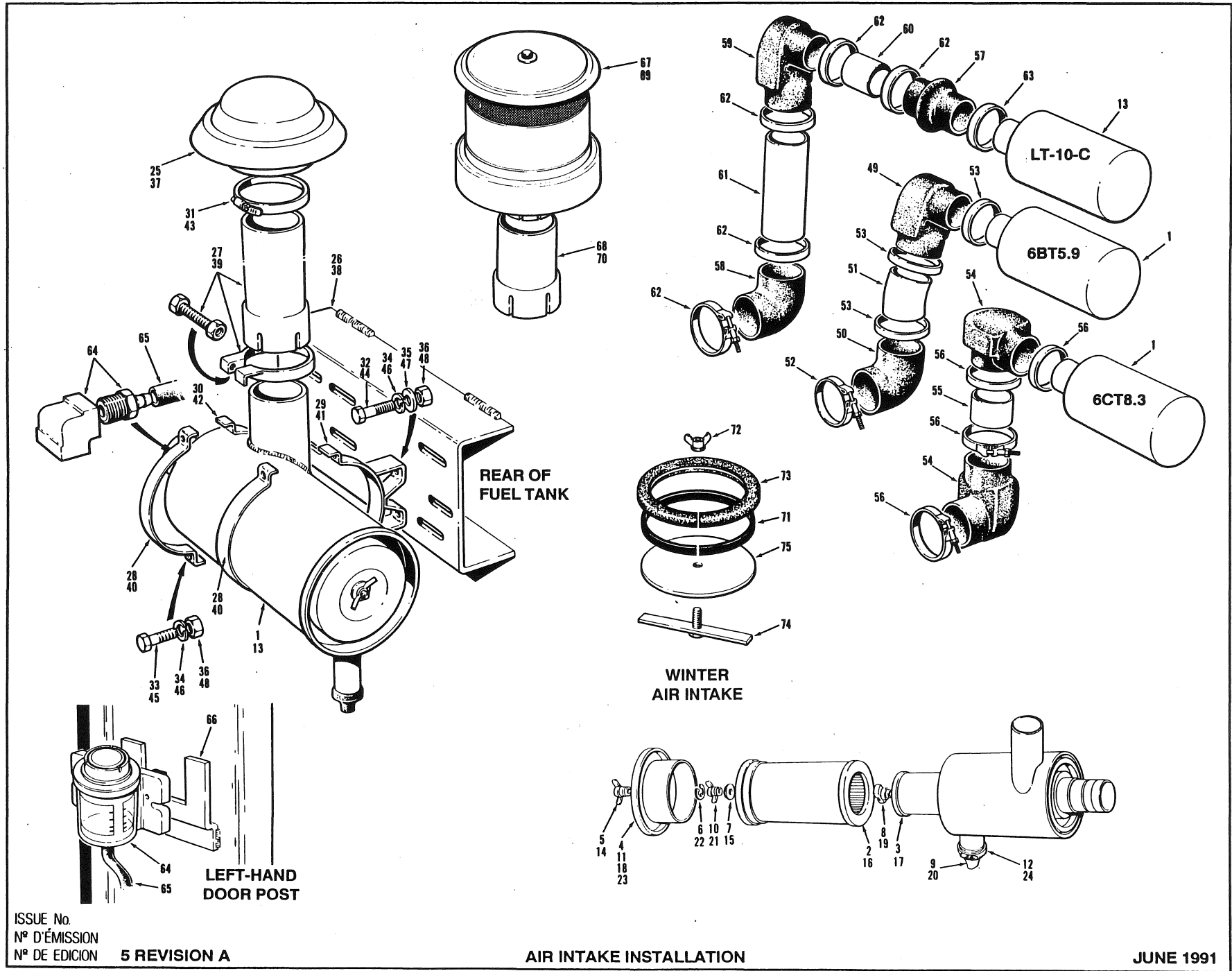
SECTION SECCION		PAGE PAGINA		ISSUE No. N° D'ÉMISSION N° DE EDICION		AIR INTAKE INSTALLATION				JANUARY 1990	
No. N° N°	PART No. N° DE PIÈCE N° DE PIEZA	DESCRIPTION DÉSCRIPTION DESCRIPCION	No. REQ. N° REQ. N° REQ.	REMARKS REMARQUES NOTAS	No. N° N°	PART No. N° DE PIECE N° DE PIEZA	DESCRIPTION DÉSCRIPTION DESCRIPCION	No. REQ. N° REQ. N° REQ.	REMARKS REMARQUES NOTAS		
<b>AIR CLEANER ASSEMBLY - MODELS 710 THRU 730A</b>											
1	32688	AIR CLEANER ASSEMBLY - INCLUDES ITEMS 2 TO 11	1	6BT5.9 & 6CT8.3	46	50A-0510	BOLT	4			
2	28120	ELEMENT - PRIMARY	1		47	50A-0516	BOLT	4			
3	28121	ELEMENT - SAFETY	1		48	14A-05	LOCKWASHER	6			
4	28122	COVER	1		49	14C-05	FLATWASHER	4			
5	28123	WING NUT	1		50	30A-05	NUT	8			
6	28124	NUT CLIP	1		<b>INTAKE INSTALLATION - MODELS 710 &amp; 710A</b>				6BT5.9		
7	34119	GASKET	1								
8	34120	NUT ASSEMBLY	1		51	28443	HUMP HOSE	1			
9	37402	VACUATOR VALVE	1		52	32990	ELBOW	1			
10	37403	WING NUT	1		53	36449	TUBE	1			
11	45476	GASKET	1		54	40263	ELBOW	1			
12	22B-48	CLAMP	1		55	40429	TUBE	1			
<b>AIR CLEANER ASSEMBLY - MODELS 740 THRU 780A</b>											
				LT-10-C							
13	33940	AIR CLEANER ASSEMBLY - INCLUDES ITEMS 14 TO 23	1		<b>INTAKE INSTALLATION - MODELS 720 THRU 730A</b>				6CT8.3		
14	28123	WING NUT	1								
15	34119	GASKET	1		58	28443	HUMP HOSE	1			
16	37398	ELEMENT - PRIMARY	1		59	40192	ELBOW	1			
17	37399	ELEMENT - SAFETY	1		60	41798	CONNECTING PIPE	1			
18	37400	COVER	1		61	22A-450	CLAMP	4			
19	37401	NUT ASSEMBLY	1		<b>INTAKE INSTALLATION - MODELS 740 THRU 780A</b>				LT-10-C		
20	37402	VACUATOR VALVE	1								
21	37403	WING NUT	1								
22	37405	NUT CLIP	1		62	9246	HUMP HOSE	1			
23	37406	GASKET	1		63	16280	ELBOW	2			
24	22B-48	CLAMP	1		64	28051-2	CONNECTING TUBE	1			
<b>AIR CLEANER INSTALLATION - MODELS 710 THRU 730A</b>											
				6BT5.9 & 6CT8.3							
25	7898	RAIN CAP	1								
26	32576X36	TRIM LOK	1		<b>RESTRICTION INDICATOR INSTALLATION</b>						
27	51154	BRACKET	1	REPAIR PART							
28	40080	EXTENSION - INCLUDES CLAMP & HARDWARE	1		68	*52003	RESTRICTION INDICATOR KIT	1			
29	40209	HALF BRACKET	2		69	*53081X126	TUBE	1			
30	51143	MOUNTING BAND	1		70	*54727	BRACKET	1			
31	51141	MOUNTING BAND	1		<b>WINTER AIR INTAKE HEATER INSTALLATION</b>						
32	22B-84	CLAMP	1								
33	50A-0510	BOLT	4		71	41935	CLAMPING BAR	1			
34	50A-0516	BOLT	4		72	41943	HOOD ASSEMBLY	1			
35	14A-05	LOCKWASHER	6		73	36T-06	WING LOCKNUT	1			
36	14C-05	FLATWASHER	4		<b>TURBO II PRE-CLEANER INSTALLATION</b>						
37	30A-05	NUT	8								
<b>AIR CLEANER INSTALLATION - MODELS 740 THRU 780A</b>											
				LT-10-C							
38	10886	RAIN CAP	1		74	*33782	PRE-CLEANER C/W CLAMP	1	6BT & 6CT		
39	32576X40	TRIM LOK	1		75	*46498	PRE-CLEANER C/W CLAMP	1	LT-10-C		
40	51154	BRACKET	1	REPAIR PART	76	*54633	EXTENTION	1	6BT & 6CT		
41	42371	EXTENSION - INCLUDES CLAMP & HARDWARE	1		77	*54649	EXTENTION	1	LT-10-C		
42	42406	HALF BRACKET	2		<b>PRE-CLEANER INSTALLATION</b>						
43	51144	MOUNTING BAND	1								
44	51147	MOUNTING BAND	1		78	*8601	PRE-CLEANER	1	710 thru 730A		
45	22B-104	CLAMP	1		79	*43332	PRE-CLEANER	1	740 thru 780A		

CHAMPION ROAD MACHINERY

EFFECTIVE SERIAL NUMBERS) 19982, 19984, 19985, 19996,  
 NUMEROSI) DE SERIE EFFECTIFS) 20005, 20227 to 20232, 20265  
 NUMEROSI) DE SERIE EFFECTIVOS) to 20375, 20383 TO 20893

700 SERIES  
 SERIE 700

SECTION 8 PAGE  
 SECTION 8 PAGINA 7



USE ONLY CHAMPION ROAD MACHINERY APPROVED PARTS

FOR LIST OF PARTS - TURN THIS PAGE

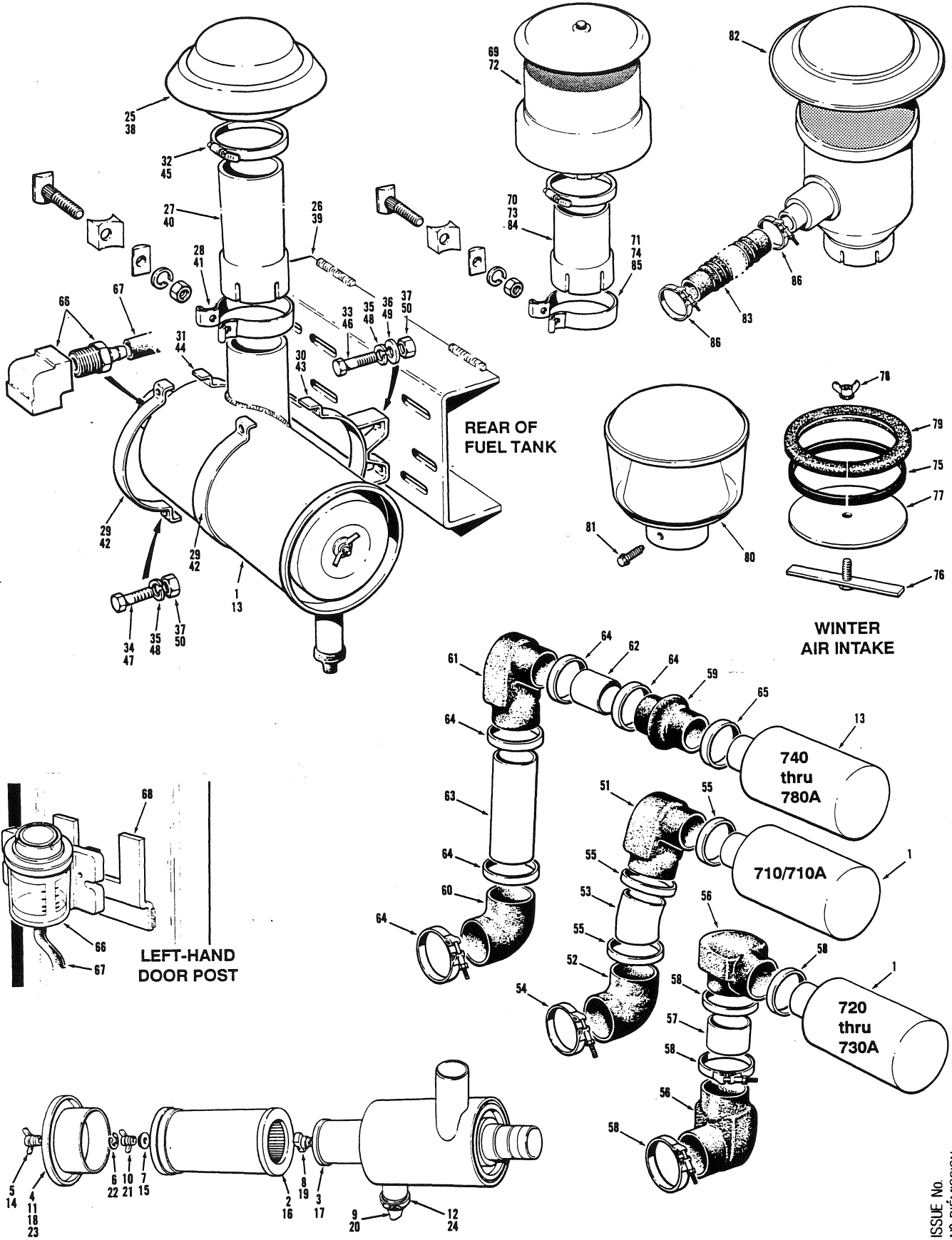
POUR LA LISTE DES PIÈCES - VOIR AU VERSO

PARA LA LISTA DE LAS PIEZAS - VER AL VERSO

JUNE 1991

SECTION SECCION	8	PAGE PAGINA	8	ISSUE No. N° D'ÉMISSION N° DE EDICION	5 REVISION A	AIR INTAKE INSTALLATION	JUNE 1991		
No. N° N°	PART No. N° DE PIÈCE N° DE PIEZA	DESCRIPTION DÉSCRIPTION DESCRIPCION	No. REQ. N° REQ. N° REQ.	REMARKS REMARQUES NOTAS	No. N° N°	PART No. N° DE PIECE N° DE PIEZA	DESCRIPTION DÉSCRIPTION DESCRIPCION	No. REQ. N° REQ. N° REQ.	REMARKS REMARQUES NOTAS
<b><u>AIR CLEANER ASSEMBLY - Models 710 thru 730A</u></b>				<b><u>6BT5.9 &amp; 6CT8.3</u></b>	<b><u>AIR CLEANER INSTALLATION - Models 740 thru 780A</u></b>				<b><u>LT-10-C</u></b>
1	32688	AIR CLEANER ASSEMBLY - INCLUDES ITEMS 2 TO 11	1		37	10886	RAIN CAP	1	
2	28120	ELEMENT - PRIMARY	1		38	52488	BRACKET	1	
3	28121	ELEMENT - SAFETY	1		39	42371	EXTENSION - INCLUDES CLAMP & HARDWARE	1	
4	28122	COVER	1		40	42406	HALF BRACKET	2	
5	28123	WING NUT	1		41	52851	MOUNTING BAND	1	
6	28124	NUT CLIP	1		42	52852	MOUNTING BAND	1	
7	34119	GASKET	1		43	22B-104	CLAMP	1	
8	34120	NUT ASSEMBLY	1		44	50A-0510	BOLT	4	
9	37402	VACUATOR VALVE	1		45	50A-0516	BOLT	4	
10	37403	WING NUT	1		46	14A-05	LOCKWASHER	6	
11	45476	GASKET	1		47	14C-05	FLATWASHER	4	
12	22B-48	CLAMP	1		48	30A-05	NUT	8	
<b><u>AIR CLEANER ASSEMBLY - Models 740 thru 780A</u></b>				<b><u>LT-10-C</u></b>	<b><u>INTAKE INSTALLATION - Models 710/710A</u></b>				<b><u>6BT5.9</u></b>
13	33940	AIR CLEANER ASSEMBLY - INCLUDES ITEMS 14 TO 23	1		49	40192	ELBOW	1	
14	28123	WING NUT	1		50	40263	ELBOW	1	
15	34119	GASKET	1		51	52809	TUBE	1	
16	37398	ELEMENT - PRIMARY	1		52	22A-375	CLAMP	1	
17	37399	ELEMENT - SAFETY	1		53	22A-450	CLAMP	3	
18	37400	COVER	1		<b><u>INTAKE INSTALLATION Models 720 thru 730A</u></b>				<b><u>6CT8.3</u></b>
19	37401	NUT ASSEMBLY	1		54	40192	ELBOW	2	
20	37402	VACUATOR VALVE	1		55	52865	CONNECTING PIPE	1	
21	37403	WING NUT	1		56	22A-450	CLAMP	4	
22	37405	NUT CLIP	1		<b><u>INTAKE INSTALLATION - Models 740 thru 780A</u></b>				<b><u>LT-10-C</u></b>
23	37406	GASKET	1		57	9246	HUMP HOSE	1	
24	22B-48	CLAMP	1		58	16280	ELBOW	2	
<b><u>AIR CLEANER INSTALLATION - Models 710 thru 730A</u></b>				<b><u>6BT5.9 &amp; 6CT8.3</u></b>	59	40192	ELBOW	1	
25	7898	RAIN CAP	1		60	52871	CONNECTING TUBE	1	
26	52488	BRACKET	1		61	52872	CONNECTING TUBE	1	
27	40080	EXTENSION - INCLUDES CLAMP & HARDWARE	1		62	22A-450	CLAMP	5	
28	40209	HALF BRACKET	2		63	22A-550	CLAMP	1	
29	51143	MOUNTING BAND	1		<b><u>RESTRICTION INDICATOR INSTALLATION</u></b>				
30	51141	MOUNTING BAND	1		64	*52003	RESTRICTION INDICATOR KIT	1	
31	22B-84	CLAMP	1		65	53081X126	TUBE	1	
32	50A-0510	BOLT	4		66	54727	BRACKET	1	
33	50A-0516	BOLT	4		<b><u>TURBO II PRE-CLEANER INSTALLATION</u></b>				
34	14A-05	LOCKWASHER	6		67	33782	PRE-CLEANER C/W CLAMP	1	6BT & 6CT
35	14C-05	FLATWASHER	4		68	54633	EXTENSION	1	6BT & 6CT
36	30A-05	NUT	8		69	46498	PRE-CLEANER C/W CLAMP	1	LT-10-C
					70	54649	EXTENTION	1	L-T10-C
					<b><u>WINTER AIR INTAKE</u></b>				
					71	*19176 x 33	TAPE SEALANT	1	
					72	*36T-06	LOCKNUT	1	
					73	*40839 x 33	TRIM	1	
					74	*57915	CLAMPING BAR	1	
					75	*57916	HOOD		

CHAMPION ROAD MACHINERY



EFFECTIVE SERIAL NUMBER(S) 20893 & UP  
 NUMERO(S) DE SÉRIE EFFECTIF(S)  
 NUMERO(S) DE SERIE EFECTIVO(S)

700 SERIES  
 SERIE 700

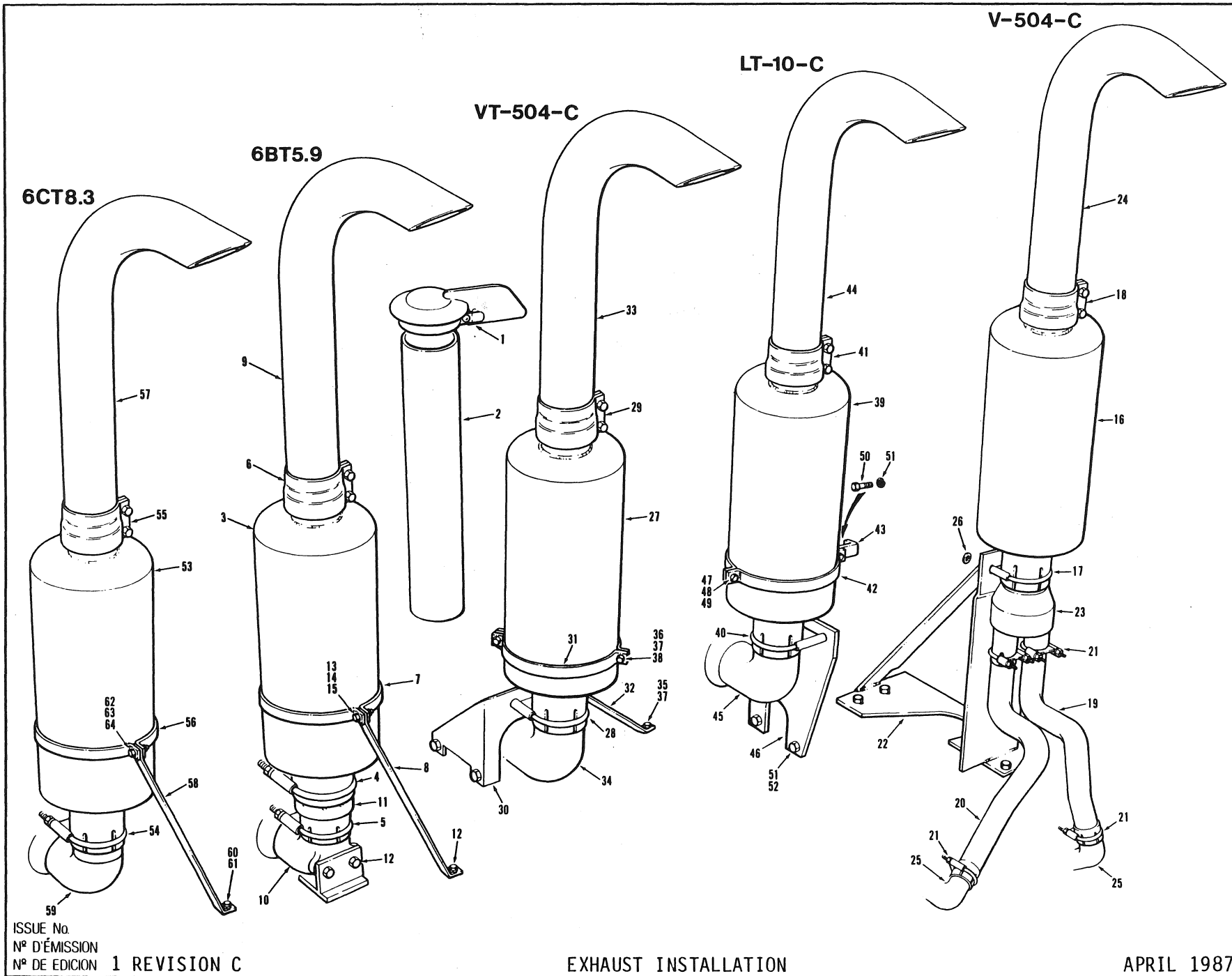
SECTION 8 PAGE 7  
 SECCION 8 PAGINA 7

SECTION 8		PAGE 8		ISSUE No. 6 REVISION B		AIR INTAKE INSTALLATION			JUNE 1991	
SECCION 8		PAGINA 8		N° D'ÉMISSION 6 REVISION B		AIR INTAKE INSTALLATION			JUNE 1991	
No. N° N°	PART No. N° DE PIÈCE N° DE PIEZA	DESCRIPTION DÉSCRIPTION DESCRIPCION	No. REQ. N° REQ. N° REQ.	REMARKS REMARQUES NOTAS	No. N° N°	PART No. N° DE PIÈCE N° DE PIEZA	DESCRIPTION DÉSCRIPTION DESCRIPCION	No. REQ. N° REQ. N° REQ.	REMARKS REMARQUES NOTAS	
1	32688	<u>AIR CLEANER ASSEMBLY - 6BT5.9 &amp; 6CT8.3</u>	1	710 thru 730A	51	40192	<u>INTAKE INSTALLATION - 6BT5.9</u>	1	710/710A	
2	28120	AIR CLEANER ASSEMBLY - INCLUDES ITEMS 2 TO 11	1		52	40263	ELBOW	1		
3	28121	ELEMENT - PRIMARY	1		53	52809	ELBOW	1		
4	28122	ELEMENT - SAFETY	1		54	22A-375	TUBE	1		
5	28123	COVER	1		55	22A-450	CLAMP	1		
6	28124	WING NUT	1				CLAMP	3		
7	34119	NUT CLIP	1				<u>INTAKE INSTALLATION - 6CT8.3</u>		720 thru 730A	
8	34120	GASKET	1		56	40192	ELBOW	2		
9	37402	NUT ASSEMBLY	1		57	52865	CONNECTING PIPE	1		
10	37403	VACUATOR VALVE	1		58	22A-450	CLAMP	4		
11	45476	WING NUT	1				<u>INTAKE INSTALLATION - LT-10-C</u>		740 thru 780A	
12	22B-48	GASKET	1		59	9246	HUMP HOSE	1		
		CLAMP	1		60	16280	ELBOW	2		
		<u>AIR CLEANER ASSEMBLY - LT-10-C</u>		740 thru 780A	61	40192	ELBOW	1		
13	33940	AIR CLEANER ASSEMBLY - INCLUDES ITEMS 14 TO 23	1		62	52871	CONNECTING TUBE	1		
14	28123	WING NUT	1		63	52872	CONNECTING TUBE	1		
15	34119	GASKET	1		64	22A-450	CLAMP	5		
16	37398	ELEMENT - PRIMARY	1		65	22A-550	CLAMP	1		
17	37399	ELEMENT - SAFETY	1				<u>RESTRICTION INDICATOR INSTALLATION</u>			
18	37400	COVER	1		66	52003	RESTRICTION INDICATOR KIT	1		
19	37401	NUT ASSEMBLY	1		67	53081 x 126	TUBE	1		
20	37402	VACUATOR VALVE	1		68	54727	BRACKET	1		
21	37403	WING NUT	1				<u>TURBO II PRE-CLEANER INSTALLATION</u>			
22	37405	NUT CLIP	1		69	33782	PRE-CLEANER - C/W CLAMP	1	710 thru 730A	
23	37406	GASKET	1		70	54633	EXTENSION	1		
24	22B-48	CLAMP	1		71	57285	CLAMP - C/W HARDWARE	1	740 thru 780A	
		<u>AIR CLEANER INSTALLATION - 6BT5.9 &amp; 6CT8.3</u>		710 thru 730A	72	46498	PRE-CLEANER - C/W CLAMP	1		
25	7898	RAIN CAP	1		73	57320	EXTENSION	1		
26	52488	BRACKET	1		74	57286	CLAMP - C/W HARDWARE	1		
27	57319	EXTENSION	1				<u>WINTER AIR INTAKE INSTALLATION</u>			
28	57285	CLAMP - C/W HARDWARE	1		75	19176 x 33	TAPE SEALANT	1		
29	40209	HALF BRACKET	2		76	*57915	CLAMPING BAR	1		
30	51143	MOUNTING BAND	1		77	*57916	HOOD	1		
31	51141	MOUNTING BAND	1		78	36T-06	LOCKNUT	1		
32	22B-84	CLAMP	1		79	*40839 x 33	TRIM	1		
33	50A-0510	BOLT	4				<u>PRE-CLEANER INSTALLATION</u>			
34	50A-0516	BOLT	4		80	43332	PRE-CLEANER - 6"	1	740 thru 780A	
35	14A-05	LOCKWASHER	6			8601	PRE-CLEANER - 5"	1	710 thru 730A	
36	14C-05	FLATWASHER	4		81	62A-1006	SCREW	2		
37	30A-05	NUT	8				<u>PRE-CLEANER INSTALLATION - EXHAUST ASPIRATED</u>			
38	10886	<u>AIR CLEANER INSTALLATION - LT-10-C</u>		740 thru 780A	82	56110	PRE-CLEANER	1	740 thru 780A	
39	52488	RAIN CAP	1			54629	PRE-CLEANER	1	720 thru 730A	
40	57322	BRACKET	1		83	53752 x 22	HOSE	1	720 thru 730A	
41	57286	EXTENSION	1			53752 x 24	HOSE	1	740 thru 780A	
42	42408	CLAMP - C/W HARDWARE	1		84	57320	STACK	1	740 thru 780A	
43	42408	HALF BRACKET	2			57321	STACK	1	720 thru 730A	
44	52851	MOUNTING BAND	1		85	57285	CLAMP	1	720 thru 730A	
45	52852	MOUNTING BAND	1			57286	CLAMP	1	740 thru 780A	
46	22B-104	CLAMP	1		86	22A-163	CLAMP	2		
47	50A-0510	BOLT	4							
48	50A-0516	BOLT	4							
49	14A-05	LOCKWASHER	6							
50	14C-05	FLATWASHER	4							
51	30A-05	NUT	8							

EFFECTIVE SERIAL NUMBERS (S) 16224, 16245 & UP  
 NUMEROS (S) DE SERIE EFFECTIFS (S)  
 NUMEROS (S) DE SERIE EFFECTIVOS (S)  
 U.S. 2021-2 & UP

700 SERIES  
 SERIE 700

SECTION 8  
 SECCION 8  
 PAGE 9  
 PAGINA 9



EXHAUST INSTALLATION

FOR LIST OF PARTS - TURN THIS PAGE

POUR LA LISTE DES PIÈCES - VOIR AU VERSO

PARA LA LISTA DE LAS PIEZAS - VER AL VERSO

APRIL 1987

USE ONLY CHAMPION ROAD MACHINERY APPROVED PARTS

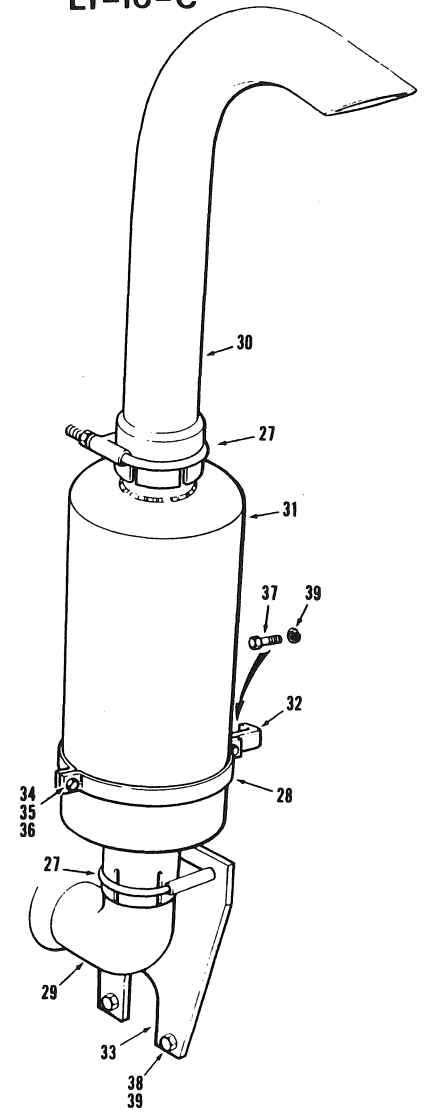
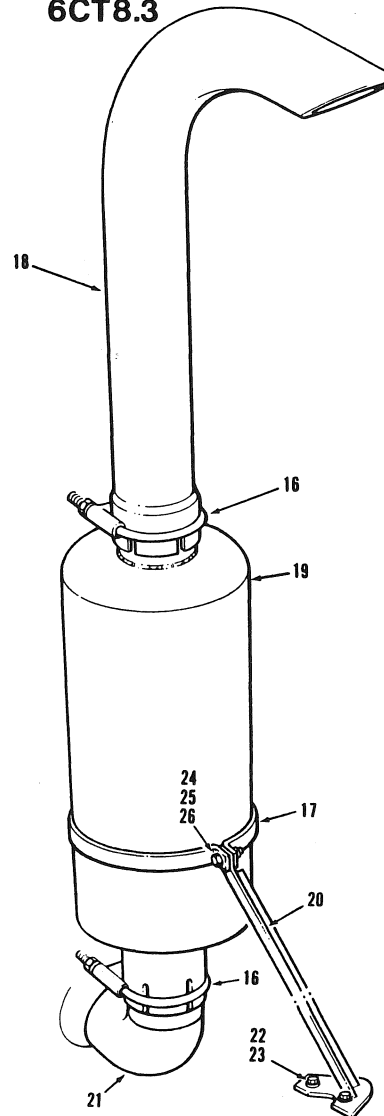
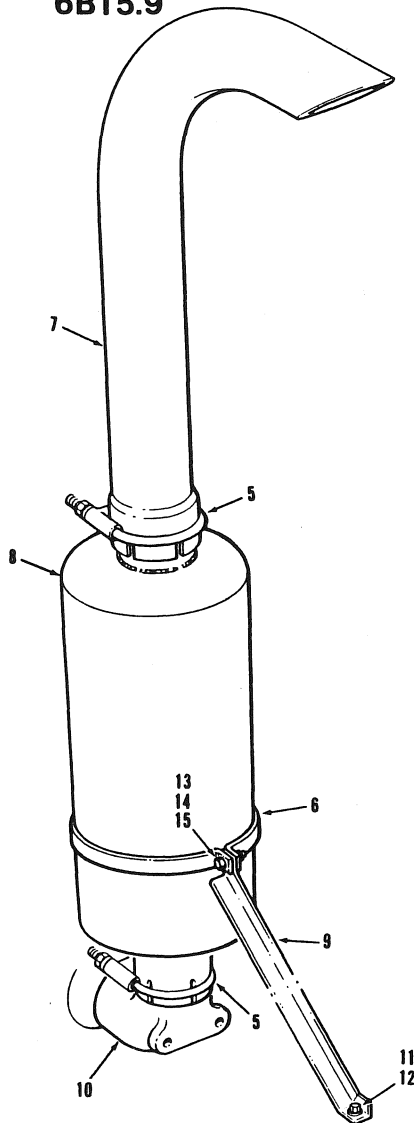
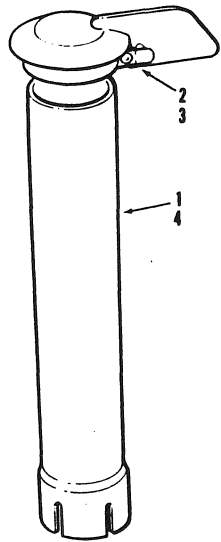
SECTION SECCION 8		PAGE PAGINA 10	ISSUE No. N° D'ÉMISSION N° DE EDICION	1 REVISION C	EXHAUST INSTALLATION				APRIL 1987
No. N° N°	PART No. N° DE PIÈCE N° DE PIEZA	DESCRIPTION DÉSCRIPTION DESCRIPCION	No. REQ. N° REQ. N° REQ.	REMARKS REMARQUES NOTAS	No. N° N°	PART No. N° DE PIECE N° DE PIEZA	DESCRIPTION DÉSCRIPTION DESCRIPCION	No. REQ. N° REQ. N° REQ.	REMARKS REMARQUES NOTAS
<u>EXHAUST STACK &amp; RAIN CAP INSTALLATION</u>					<u>EXHAUST INSTALLATION - 6BT5.9</u>				
1	23642	RAIN CAP	1	OPTIONAL- ALL MODELS	35	50A-0608	BOLT	1	
2	40897	EXHAUST STACK	1		36	50A-0610	BOLT	2	
					37	14A-06	LOCKWASHER	3	
					38	30A-06	NUT	2	
3	9838	MUFFLER	1		39	9838	MUFFLER	1	
4	9840	CLAMP	1		40	9840	CLAMP	1	
5	*14585	CLAMP	1		41	35097	CLAMP	1	
6	35097	CLAMP	1		42	40852	CLAMP	2	
7	40852	CLAMP	2		43	40853	ANCHOR	1	
8	*41780	BRACE	1		44	*42710	EXHAUST STACK	1	
9	*42710	EXHAUST STACK	1		45		EXHAUST ELBOW	REF.	SEE ENGINE MANUAL
10		EXHAUST ELBOW	REF.		46	*44906	BRACKET	1	
11	*45191	SLEEVE	1		47	*50A-0612	BOLT	2	
12	350A-08035	BOLT	3		48	14A-06	LOCKWASHER	2	
13	50A-0610	BOLT	2		49	30A-06	NUT	2	
14	14A-06	LOCKWASHER	2		50	350A-10065	BOLT	1	
15	30A-06	NUT	2		51	314A-10	LOCKWASHER	3	
					52	350A-10160	BOLT	2	
<u>EXHAUST INSTALLATION - V-504-C</u>					<u>EXHAUST INSTALLATION 6CT8.3</u>				
16	9838	MUFFLER	1		53	9838	MUFFLER	1	SERIAL NO. 16806 & UP
17	9840	CLAMP	1		54	9840	CLAMP	1	
18	35097	CLAMP	1		55	35097	SEAL CLAMP	1	
19	40668	EXHAUST PIPE - R.H.	1		56	40852	MUFFLER CLAMP	2	
20	40669	EXHAUST PIPE - L.H.	1		57	*42710	EXHAUST STACK	1	
21	40671	CLAMP	4		58	41780	MUFFLER BRACE	1	
22	40905	BRACKET	1		59		EXHAUST ELBOW	REF.	SEE ENGINE MANUAL
23	*40976	ADAPTER	1		60	350A-10020	BOLT	1	
24	*42710	EXHAUST STACK	1		61	*314A-10	LOCKWASHER	1	
25		EXHAUST ELBOW	REF.	SEE ENGINE MANUAL	62	*50A-0612	BOLT	2	
26	14C-06	FLATWASHER	2		63	14A-06	LOCKWASHER	2	
<u>EXHAUST INSTALLATION - VT-504-C</u>					64	30A-06	NUT	2	
27	9838	MUFFLER	1						
28	9840	CLAMP	1						
29	35097	CLAMP	1						
30	40403	BRACKET	2						
31	40852	CLAMP	2						
32	*40868	BRACE	1						
33	*42710	EXHAUST STACK	1						
34		EXHAUST ELBOW	REF.	SEE ENGINE MANUAL					



LT-10-C

6CT8.3

6BT5.9



EXHAUST INSTALLATION

MARCH 1989

FOR LIST OF PARTS - TURN THIS PAGE

POUR LA LISTE DES PIÈCES - VOIR AU VERSO

PARA LA LISTA DE LAS PIEZAS - VER AL VERSO

EFFECTIVE SERIAL NUMBERS) 6BT5.9 - 19352 & UP  
 NUMEROS) DE SERIE EFFECTIFS) 6CT8.3 - 19510 & UP  
 NUMEROS) DE SERIE EFECTIVOS) LT-10-C - 19513 & UP

700 SERIES  
 SERIE 700

SECTION 8 PAGE 9  
 SECCION 8 PAGINA 9

ISSUE No.  
 N° D'ÉMISSION  
 N° DE EDICION 2

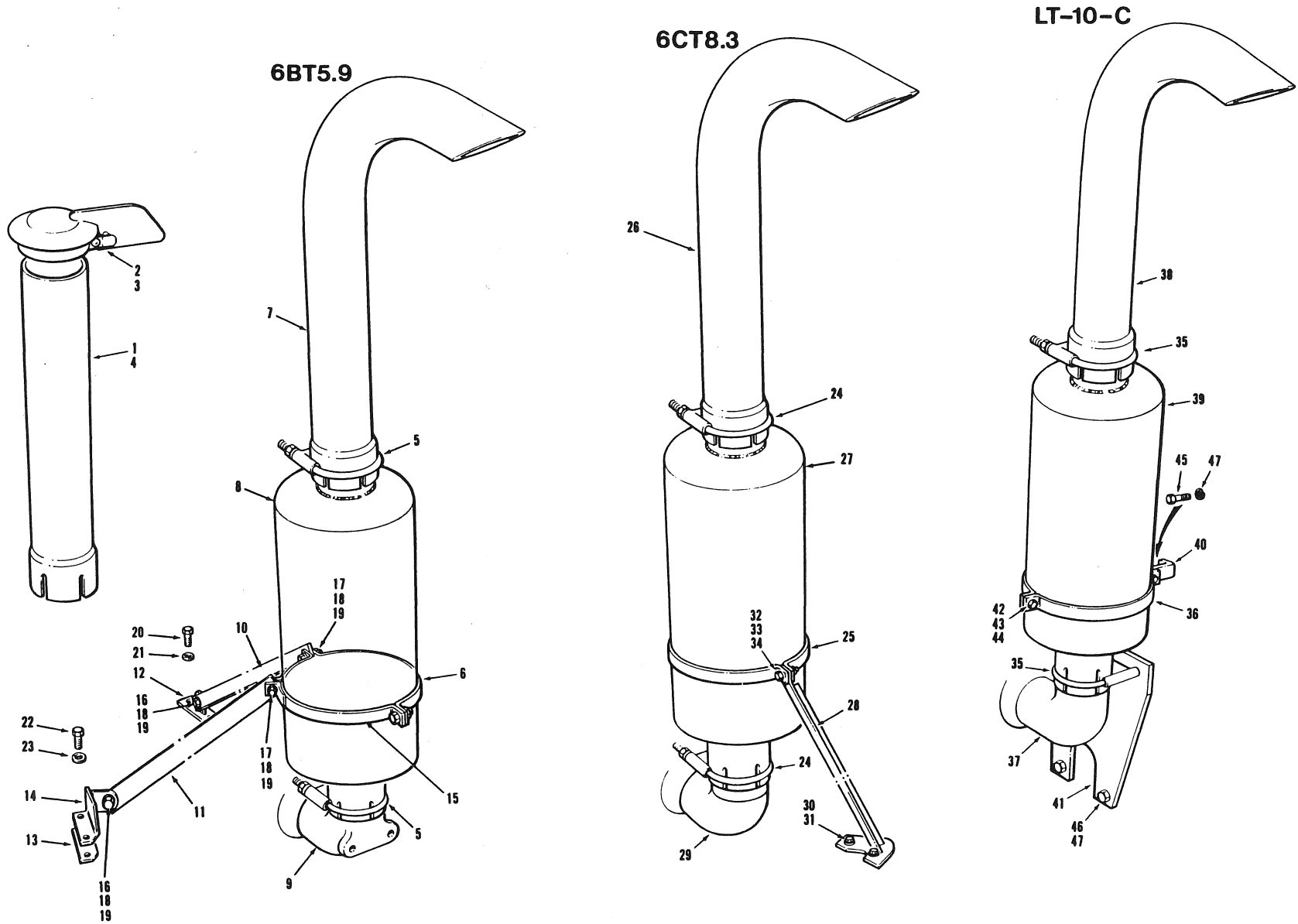
SECTION SECCION		PAGE PAGINA		ISSUE No. N° D'ÉMISSION N° DE EDICION		EXHAUST INSTALLATION			MARCH 1989	
No. N° N°	PART No. N° DE PIÈCE N° DE PIEZA	DESCRIPTION DÉSCRIPTION DESCRIPCION	No. REQ N° REQ. N° REQ.	REMARKS REMARQUES NOTAS	No. N° N°	PART No. N° DE PIECE N° DE PIEZA	DESCRIPTION DÉSCRIPTION DESCRIPCION	No. REQ N° REQ. N° REQ.	REMARKS REMARQUES NOTAS	
		<b>EXHAUST STACK &amp; RAIN CAP INSTALLATION</b>					<b>EXHAUST INSTALLATION - LT-10-C MODELS 740 THRU 780A</b>		S/N 19513 & UP	
1	*48639	EXHAUST STACK - 3"	1	MODELS	27	9840	CLAMP	1		
2	*48756	RAIN CAP - 3"	1	710/710A	28	40852	CLAMP	2		
3	23642	RAIN CAP - 4"	1	MODELS 720	29	*48068	EXHAUST ELBOW	1		
4	*48637	EXHAUST STACK - 4"	1	THRU 780A	30	*48636	EXHAUST STACK	1		
		<b>EXHAUST INSTALLATION - 6BT5.9 MODELS 710/710A</b>		S/N 19352 & UP	31	*48687	MUFFLER	1		
5	*14585	CLAMP	2		32	*49144	ANCHOR	1		
6	*40852	CLAMP	2		33	*44906	BRACKET	1		
7	*48638	EXHAUST STACK	1		34	50A-0612	BOLT	2		
8	*48686	MUFFLER	1		35	14A-06	LOCKWASHER	2		
9	*49140	BRACE	1		36	30A-06	NUT	2		
10	*51570	EXHAUST ELBOW	1		37	350A-10065	BOLT	1		
11	*49334	BOLT	1		38	350A-10160	BOLT	2		
12	*314A-10	LOCKWASHER	1		39	314A-10	LOCKWASHER	3		
13	50A-0612	BOLT	2							
14	14A-06	LOCKWASHER	2							
15	30A-06	NUT	2							
		<b>EXHAUST INSTALLATION - 6CT8.3 MODELS 720 THRU 780A</b>		S/N 19510 & UP						
16	9840	CLAMP	2							
17	*40852	CLAMP	2							
18	*48636	EXHAUST STACK	1							
19	*48687	MUFFLER	1							
20	*52061	BRACE	1							
21	*51571	EXHAUST ELBOW	1							
22	*350AA-10030	BOLT	2							
23	*314A-10	LOCKWASHER	2							
24	50A-0612	BOLT	2							
25	14A-06	LOCKWASHER	2							
26	30A-06	NUT	2							

EFFECTIVE SERIAL NUMBERS) 20287 & UP  
 NUMEROS) DE SERIE EFFECTIFS)  
 NUMEROS) DE SERIE EFFECTIVOIS)

20287 & UP

700 SERIES  
 SERIE 700

SECTION 8 PAGE 9  
 SECTION 8 PAGE 9  
 SECTION 8 PAGE 9



ISSUE No.  
 N° D'ÉMISSION  
 N° DE EDICION 3

EXHAUST INSTALLATION

OCTOBER 1989

FOR LIST OF PARTS - TURN THIS PAGE

POUR LA LISTE DES PIÈCES - VOIR AU VERSO

DABA LA LISTA DE LAS PIEZAS - VER AL VERSO

USE ONLY CHAMPION ROAD MACHINERY APPROVED PARTS

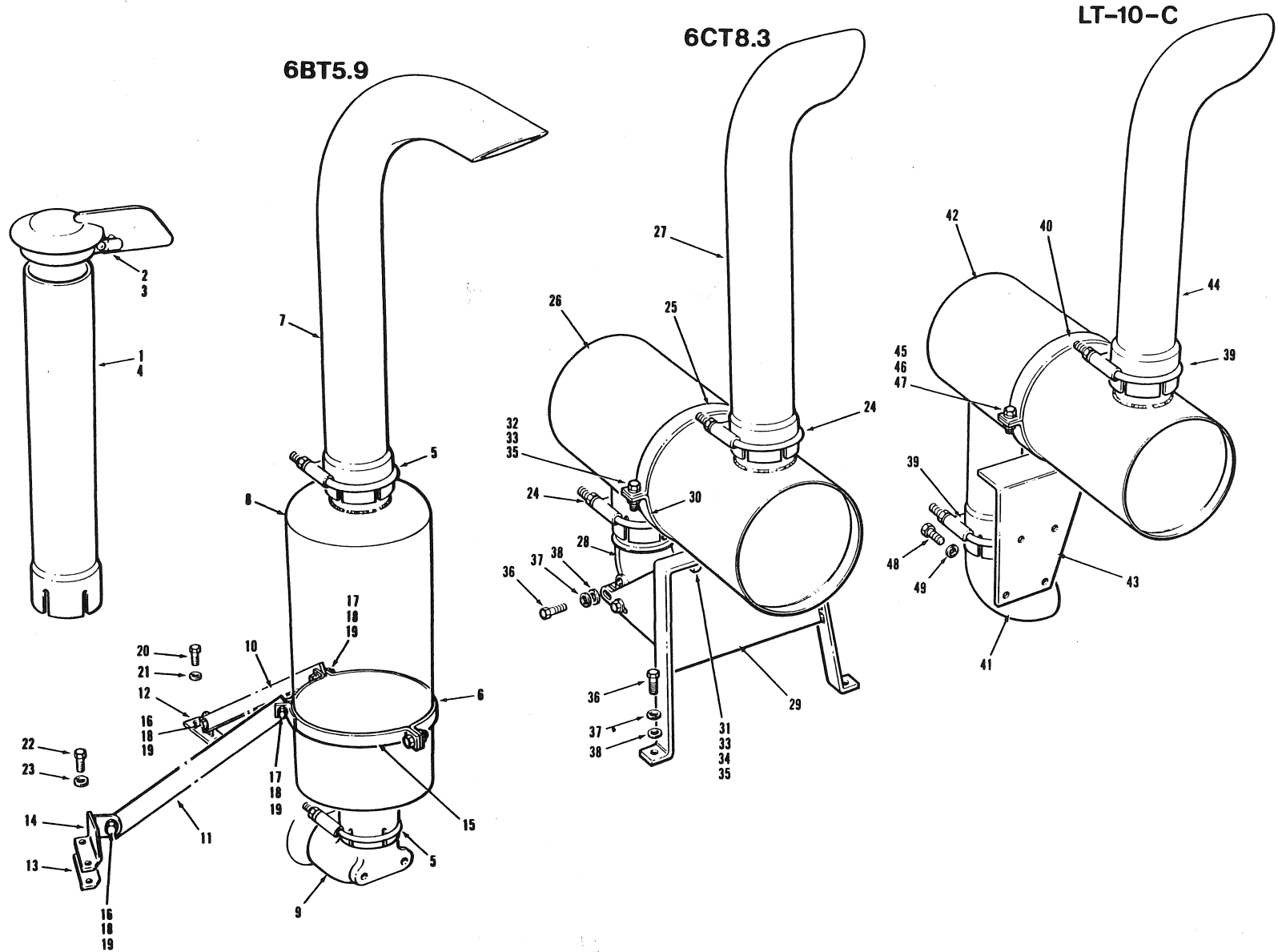
SECTION SECCION		PAGE PAGINA		ISSUE No. N° D'ÉMISSION N° DE EDICION		EXHAUST INSTALLATION				OCTOBER 1989	
No. N° N°	PART No. N° DE PIÈCE N° DE PIEZA	DESCRIPTION DÉSCRIPTION DESCRIPCION	No. REQ. N° REQ. N° REQ.	REMARKS REMARQUES NOTAS	No. N° N°	PART No. N° DE PIÈCE N° DE PIEZA	DESCRIPTION DÉSCRIPTION DESCRIPCION	No. REQ. N° REQ. N° REQ.	REMARKS REMARQUES NOTAS		
<b>EXHAUST STACK &amp; RAIN CAP INSTALLATION</b>											
1	48639	EXHAUST STACK - 3"	1	MODELS 710/710A MODELS 720 thru 780A							
2	48756	RAIN CAP - 3"	1								
3	23642	RAIN CAP - 4"	1								
4	48637	EXHAUST STACK - 4"	1								
<b>EXHAUST INSTALLATION - 6BT5.9 MODELS 710/710A</b>											
5	14585	CLAMP	2								
6	40852	CLAMP	2								
7	48638	EXHAUST STACK	1								
8	48686	MUFFLER	1								
9	51570	EXHAUST ELBOW	1								
10	*52958	BRACE - FRONT	1								
11	*52959	BRACE - REAR	1								
12	*52962	SPACER BLOCK	1								
13	*52963	SHIM	1								
14	*52965	BRACKET	1								
15	*52967	CLAMP	1								
16	*50A-0608	BOLT	2								
17	50A-0612	BOLT	3								
18	*14A-06	LOCKWASHER	5								
19	30A-06	NUT	5								
20	*350AA-10035	BOLT	2								
21	314A-10	LOCKWASHER	2								
22	*350AA-12030	BOLT	2								
23	*314A-12	LOCKWASHER	2								
<b>EXHAUST INSTALLATION - 6CT8.3 MODELS 720 THRU 730A</b>											
24	9840	CLAMP	2								
25	40852	CLAMP	2								
26	48636	EXHAUST STACK	1								
27	48687	MUFFLER	1								
28	52061	BRACE	1								
29	51571	EXHAUST ELBOW	1								
30	350AA-10030	BOLT	2								
31	314A-10	LOCKWASHER	2								
32	50A-0612	BOLT	2								
33	14A-06	LOCKWASHER	2								
34	30A-06	NUT	2								
<b>EXHAUST INSTALLATION - LT-10-C MODELS 740 THRU 780A</b>											
					35	9840	CLAMP	1			
					36	40852	CLAMP	2			
					37	48068	EXHAUST ELBOW	1			
					38	48636	EXHAUST STACK	1			
					39	48687	MUFFLER	1			
					40	49144	ANCHOR	1			
					41	44906	BRACKET	1			
					42	50A-0612	BOLT	2			
					43	14A-06	LOCKWASHER	2			
					44	30A-06	NUT	2			
					45	350A-10065	BOLT	1			
					46	350A-10160	BOLT	2			
					47	314A-10	LOCKWASHER	3			

EFFECTIVE SERIAL NUMBERS) 19982, 19984, 19985, 19996,  
 NUMEROSI DE SERIE EFFECTIFS) 20005, 20227 to 20232 & UP,  
 NUMEROSI DE SERIE EFECTIVOS)

700 SERIES  
 SERIE 700

SECTION 8 PAGE 9  
 SECTION 8 PAGE 9  
 SECTION 8 PAGE 9

ISSUE No.  
 N° D'ÉMISSION  
 N° DE EDICION 4



EXHAUST INSTALLATION

DECEMBER 1989

FOR LIST OF PARTS - TURN THIS PAGE

POUR LA LISTE DES PIÈCES - VOIR AU VERSO

PARA LA LISTA DE LAS PIEZAS - VER AL VERSO

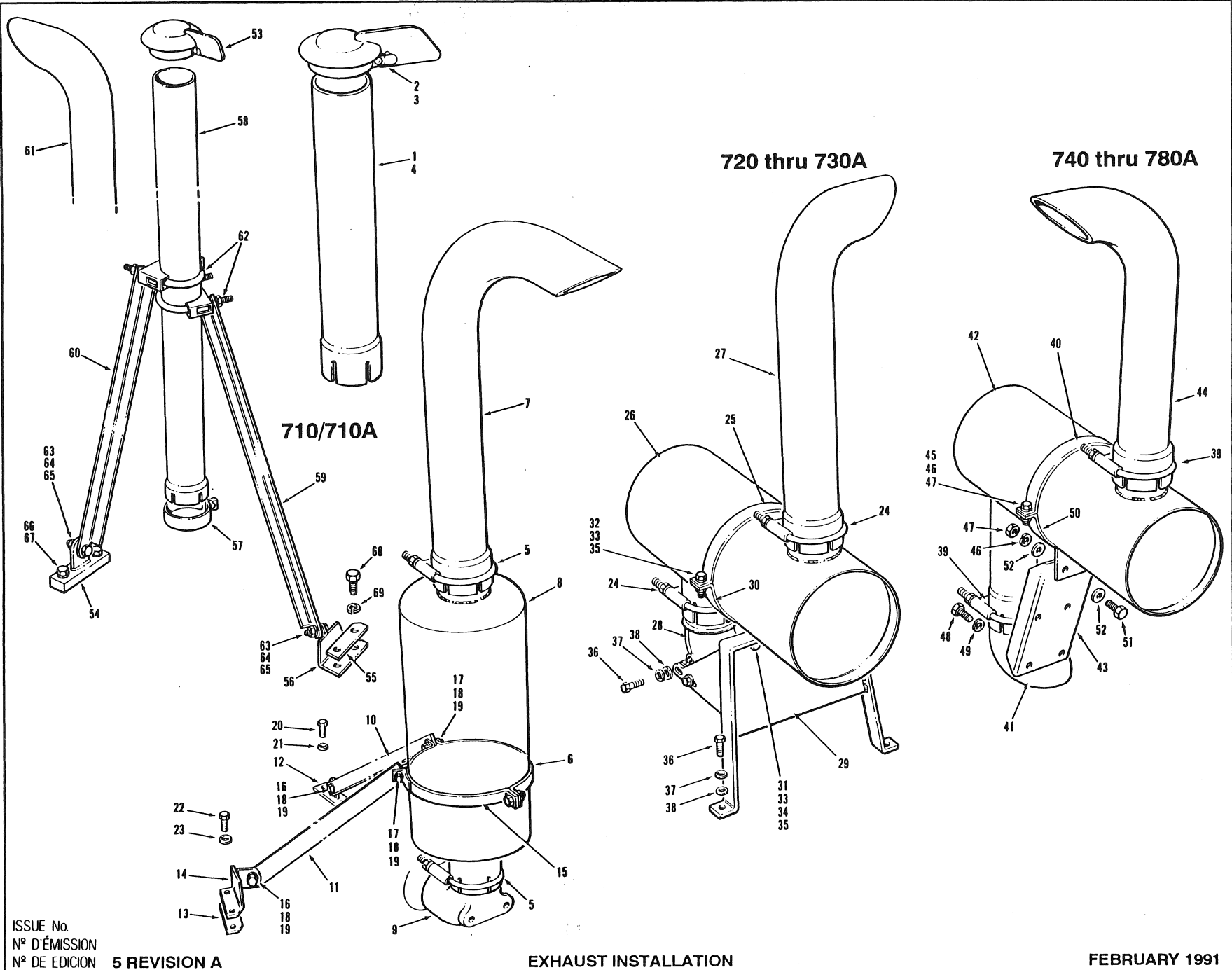
USE ONLY CHAMPION ROAD MACHINERY APPROVED PARTS

SECTION SECCION		PAGE PAGINA		ISSUE No. N° D'ÉMISSION N° DE EDICION		EXHAUST INSTALLATION			DECEMBER 1989	
No. N° N°	PART No. N° DE PIÈCE N° DE PIEZA	DESCRIPTION DESCRIPTION DESCRIPCION	No. REQ. N° REQ. N° REQ.	REMARKS REMARQUES NOTAS	No. N° N°	PART No. N° DE PIÈCE N° DE PIEZA	DESCRIPTION DESCRIPTION DESCRIPCION	No. REQ. N° REQ. N° REQ.	REMARKS REMARQUES NOTAS	
		<b>EXHAUST STACK &amp; RAIN CAP INSTALLATION</b>					<b>EXHAUST INSTALLATION - LT-10-C</b>			
		<b>MODELS 710/710A</b>					<b>MODELS 740 THRU 780A</b>			
1	*52790	EXHAUST STACK - 3"	1	MODELS 710/710A MODELS 720 thru 780A	39	*9840	CLAMP	1		
2	48756	RAIN CAP - 3"	1		40	*40852	CLAMP	2		
3	23642	RAIN CAP - 4"	1		41	*48068	EXHAUST ELBOW	1		
4	*52788	EXHAUST STACK - 4"	1		42	*52419	MUFFLER	1		
		<b>EXHAUST INSTALLATION - 6BT5.9</b>								
		<b>MODELS 710/710A</b>								
5	14585	CLAMP	2		43	*52754	BRACKET	1		
6	40852	CLAMP	2		44	*52787	EXHAUST STACK	1		
7	*52789	EXHAUST STACK	1		45	*50A-0612	BOLT	2		
8	48686	MUFFLER	1		46	*14A-06	LOCKWASHER	2		
9	51570	EXHAUST ELBOW	1		47	*30A-06	NUT	2		
10	52958	BRACE - FRONT	1		48	*350A-10065	BOLT	4		
11	52959	BRACE - REAR	1		49	*314A-10	LOCKWASHER	4		
12	52962	SPACER BLOCK	1							
13	52963	SHIM	1							
14	52965	BRACKET	1							
15	52967	CLAMP	1							
16	50A-0608	BOLT	2							
17	50A-0612	BOLT	3							
18	14A-06	LOCKWASHER	5							
19	30A-06	NUT	5							
20	350AA-10035	BOLT	2							
21	314A-10	LOCKWASHER	2							
22	350AA-12030	BOLT	2							
23	314A-12	LOCKWASHER	2							
		<b>EXHAUST INSTALLATION - 6CT8.3</b>								
		<b>MODELS 720 THRU 730A</b>								
24	9840	CLAMP	2							
25	40852	CLAMP	2							
26	*52445	MUFFLER	1							
27	*52787	EXHAUST STACK	1							
28	*51571	EXHAUST ELBOW	1							
29	*55199	BRACKET	1							
30	*55203	CLAMP	4							
31	*50A-0608	BOLT	2							
32	*50A-0612	BOLT	2							
33	14A-06	LOCKWASHER	4							
34	*14C-06	FLATWASHER	4							
35	*30A-06	NUT	4							
36	350A-10030	BOLT	4							
37	*314A-10	LOCKWASHER	4							
38	*314C-10	FLATWASHER	2							

EFFECTIVE SERIAL NUMBER(S) 20719 to 21331  
NUMEROSI DE SERIE EFFETTIVI(S) EXCLUDING 20731  
NUMEROSI DE SERIE EFFETTIVOS

700 SERIES  
SERIE 700

SECTION 8  
SECCION 8  
PAGE 9  
PAGINA 9



ISSUE No. 5 REVISION A  
N° D'ÉMISSION  
N° DE EDICION

EXHAUST INSTALLATION

FEBRUARY 1991

FOR LIST OF PARTS - TURN THIS PAGE

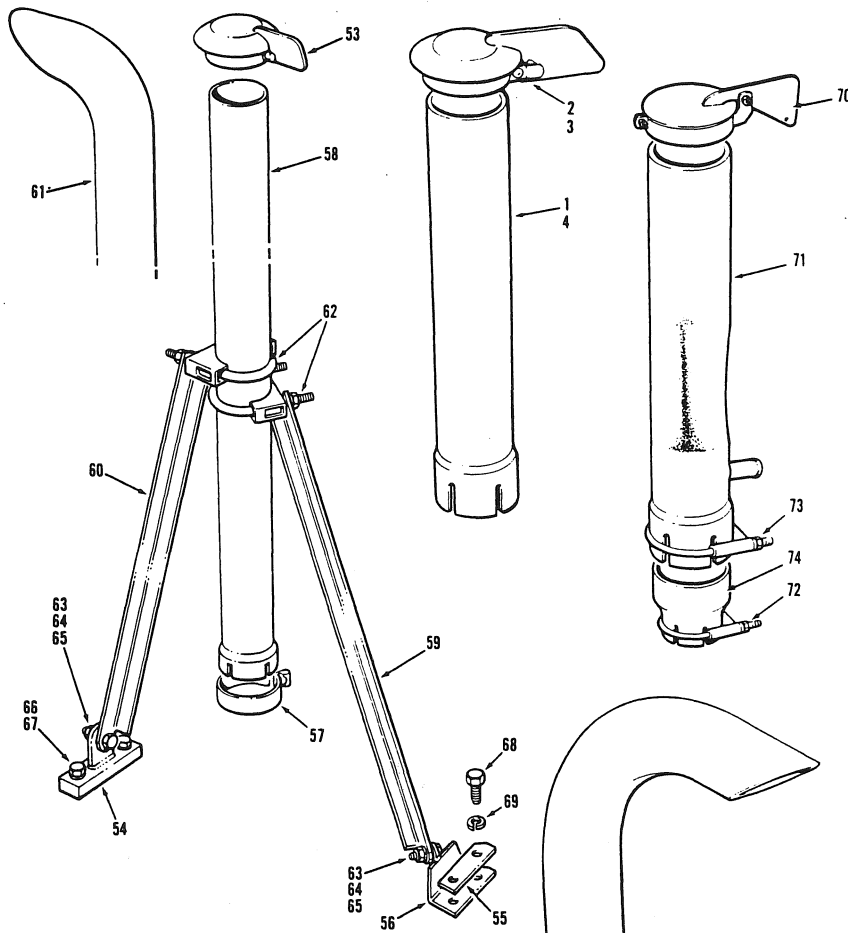
POUR LA LISTE DES PIÈCES - VOIR AU VERSO

PARA LA LISTA DE LAS PIEZAS - VER AL VERSO

USE ONLY CHAMPION ROAD MACHINERY APPROVED PARTS

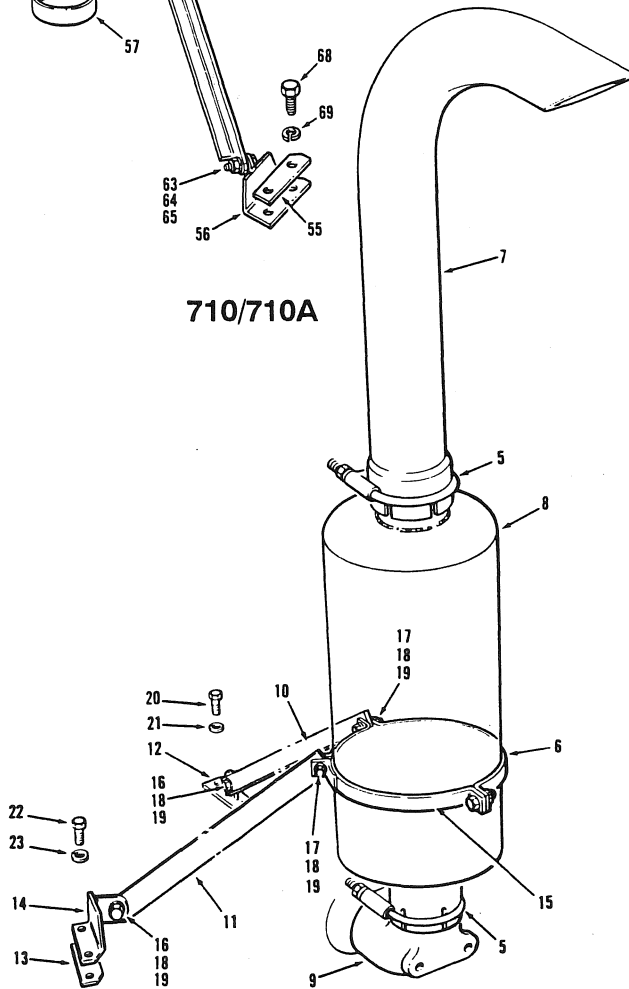
SECTION SECCION		PAGE PAGINA		ISSUE No. N° D'ÉMISSION N° DE EDICION		3 REVISION A		EXHAUST INSTALLATION			FEBRUARY 1991	
No. N° N°	PART No. N° DE PIÈCE N° DE PIEZA	DESCRIPTION DÉSCRIPTION DESCRIPCION	No. REQ. N° REQ. N° REQ.	REMARKS REMARQUES NOTAS	No. N° N°	PART No. N° DE PIÈCE N° DE PIEZA	DESCRIPTION DÉSCRIPTION DESCRIPCION	No. REQ. N° REQ. N° REQ.	REMARKS REMARQUES NOTAS			
<b>EXHAUST STACK &amp; RAIN CAP INSTALLATION</b>										<b>MUFFLER INSTALLATION</b>		
1	52790	EXHAUST STACK - 3"	1	710/710A	39	57284	CLAMP	2	740 thru 780A			
2	48756	RAIN CAP - 3"	1	710/710A	40	40852	CLAMP	1				
3	23642	RAIN CAP - 4"	1	720 thru 780A	41	48068	EXHAUST ELBOW	1				
4	52788	EXHAUST STACK - 4"	1	720 thru 780A	42	*57513	MUFFLER	1				
					43	56036	BRACKET	1				
					44	52787	EXHAUST STACK	1				
					45	50A-0612	BOLT	2				
5	57283	CLAMP	2	710/710A	46	14A-06	LOCKWASHER	4				
6	40852	CLAMP	2		47	30A-06	NUT	4				
7	52789	EXHAUST STACK	1		48	350A-10065	BOLT	4				
8	48686	MUFFLER	1		49	314A-10	LOCKWASHER	4				
9	51570	EXHAUST ELBOW	1		50	55203	CLAMP	1				
10	52958	BRACE - FRONT	1		51	50A-0608	BOLT	2				
11	52959	BRACE - REAR	1		52	14C-06	FLATWASHER	4				
12	52962	SPACER BLOCK	1									
13	52963	SHIM	1									
14	52965	BRACKET	1									
15	52967	CLAMP	1		53	48756	RAIN CAP	1	710/710A			
16	50A-0608	BOLT	2		54	52962	SPACER BLOCK	1				
17	50A-0612	BOLT	3		55	52963	SHIM	1				
18	14A-06	LOCKWASHER	5		56	52965	BRACKET	1				
19	30A-06	NUT	5		57	57283	CLAMP	1				
20	350A-10035	BOLT	2		58	57303	EXHAUST STACK - STRAIGHT	1				
21	314A-10	LOCKWASHER	2		59	57332	BRACE - FRONT	1				
22	350A-12030	BOLT	2		60	57333	BRACE - REAR	1				
23	314A-12	LOCKWASHER	2		61	57334	EXHAUST STACK - CURVED	1				
					62	57342	CLAMP	2				
					63	50A-0608	BOLT	2				
					64	14A-06	LOCKWASHER	2				
					65	30A-06	NUT	2				
					66	350A-10035	BOLT	2				
					67	314A-10	LOCKWASHER	2				
					68	350A-12030	BOLT	2				
					69	314A-12	LOCKWASHER	2				
<b>MUFFLER INSTALLATION</b>												
24	57284	CLAMP	2	720 thru 730A								
25	40852	CLAMP	1									
26	*57514	MUFFLER	1									
27	52787	EXHAUST STACK	1									
28	51571	EXHAUST ELBOW	1									
29	55199	BRACKET	1									
30	55203	CLAMP	1									
31	50A-0608	BOLT	2									
32	50A-0612	BOLT	2									
33	14A-06	LOCKWASHER	4									
34	14C-06	FLATWASHER	4									
35	30A-06	NUT	4									
36	350A-10030	BOLT	4									
37	314A-10	LOCKWASHER	4									
38	314C-10	FLATWASHER	2									





710/710A

720 thru 730A



740 thru 780A

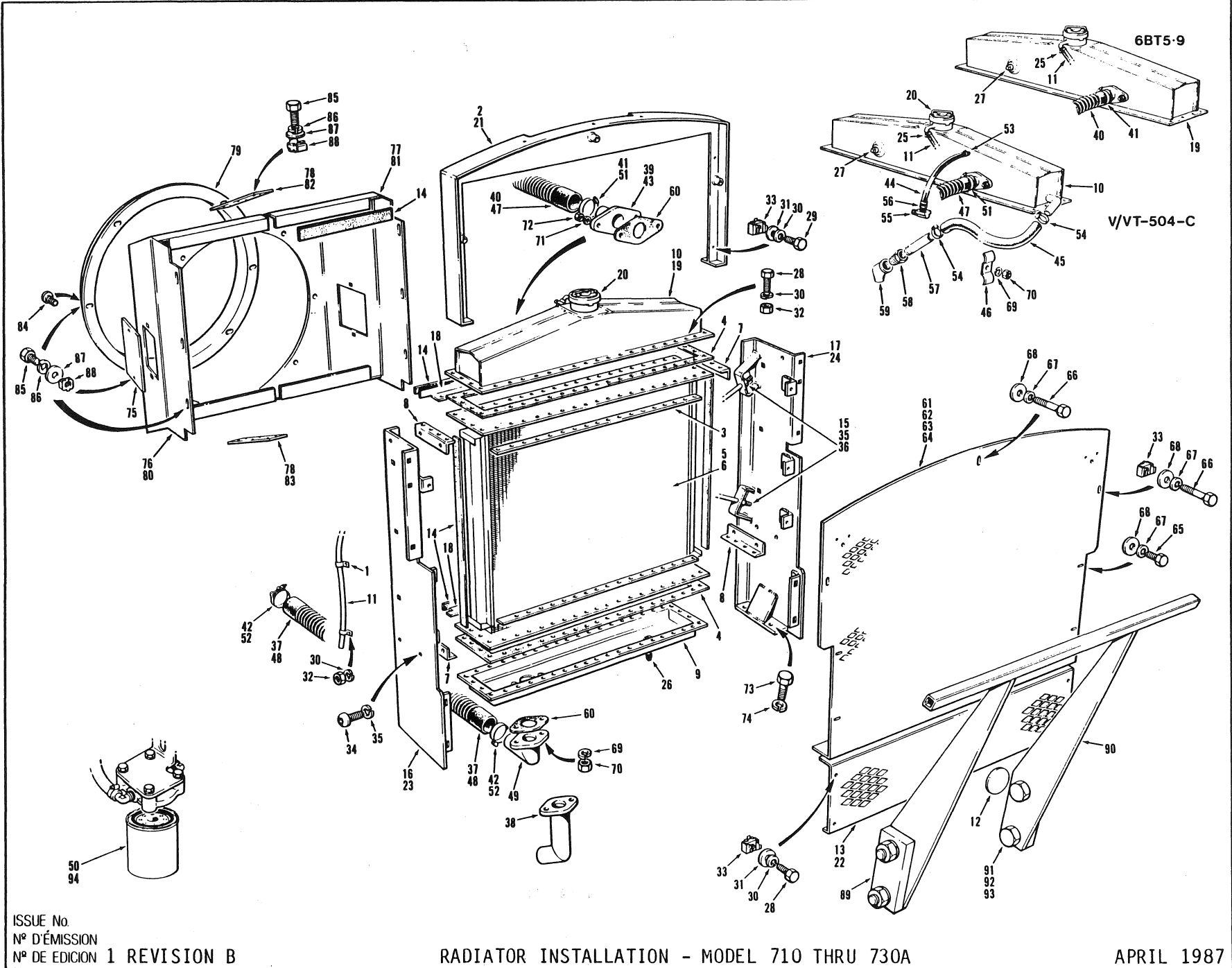
EFFECTIVE SERIAL NUMBER(S) 21332 & UP  
 NUMERO(S) DE SÉRIE EFFECTIF(S)  
 NUMERO(S) DE SÉRIE EFECTIVO(S)

700 SERIES  
 SERIE 700

SECTION 8 PAGE 9  
 SECCION 8 PAGINA 9

SECTION SECCION		PAGE PAGINA		ISSUE No. N° D'ÉMISSION N° DE EDICION		6 REVISION A		EXHAUST INSTALLATION			MARCH 1991	
No. N° N°	PART No. N° DE PIÈCE N° DE PIEZA	DESCRIPTION DÉSCRIPTION DESCRIPCION	No. REQ. N° REQ. N° REQ.	REMARKS REMARQUES NOTAS	No. N° N°	PART No. N° DE PIÈCE N° DE PIEZA	DESCRIPTION DÉSCRIPTION DESCRIPCION	No. REQ. N° REQ. N° REQ.	REMARKS REMARQUES NOTAS			
		<b>EXHAUST STACK &amp; RAIN CAP INSTALLATION</b>					<b>MUFFLER INSTALLATION</b>			<b>740 thru 780A</b>		
1	57774	EXHAUST STACK - 3"	1	710/710A	39	57284	CLAMP	2				
2	48756	RAIN CAP - 3"	1	710/710A	40	40852	CLAMP	1				
3	23642	RAIN CAP - 4"	1	720 thru 780A	41	48068	EXHAUST ELBOW	1				
4	52788	EXHAUST STACK - 4"	1	720 thru 780A	42	57513	MUFFLER	1				
		<b>MUFFLER INSTALLATION</b>			43	56036	BRACKET	1				
					44	52787	EXHAUST STACK	1				
5	57283	CLAMP	2	710/710A	45	50A-0612	BOLT	2				
6	40852	CLAMP	2		46	14A-06	LOCKWASHER	4				
7	57773	EXHAUST STACK	1		47	30A-06	NUT	4				
8	57678	MUFFLER	1		48	350A-10065	BOLT	4				
9	51570	EXHAUST ELBOW	1		49	314A-10	LOCKWASHER	4				
10	52958	BRACE - FRONT	1		50	55203	CLAMP	1				
11	52959	BRACE - REAR	1		51	50A-0608	BOLT	2				
12	52962	SPACER BLOCK	1		52	14C-06	FLATWASHER	4				
13	52963	SHIM	1				<b>EXHAUST STACK INSTALLATION</b>			<b>710/710A</b>		
14	52965	BRACKET	1		53	48756	RAIN CAP	1				
15	52967	CLAMP	1		54	52962	SPACER BLOCK	1				
16	50A-0608	BOLT	2		55	52963	SHIM	1				
17	50A-0612	BOLT	3		56	52965	BRACKET	1				
18	14A-06	LOCKWASHER	5		57	57283	CLAMP	1				
19	30A-06	NUT	5		58	57303	EXHAUST STACK - STRAIGHT	1				
20	350A-10035	BOLT	2		59	57332	BRACE - FRONT	1				
21	314A-10	LOCKWASHER	2		60	57333	BRACE - REAR	1				
22	350A-12030	BOLT	2		61	57334	EXHAUST STACK - CURVED	1				
23	314A-12	LOCKWASHER	2		62	57342	CLAMP	2				
		<b>MUFFLER INSTALLATION</b>			63	50A-0608	BOLT	2				
24	57284	CLAMP	2	720 thru 730A	64	14A-06	LOCKWASHER	2				
25	40852	CLAMP	1		65	30A-06	NUT	2				
26	57514	MUFFLER	1		66	350A-10035	BOLT	2				
27	52787	EXHAUST STACK	1		67	314A-10	LOCKWASHER	2				
28	51571	EXHAUST ELBOW	1		68	350A-12030	BOLT	2				
29	55199	BRACKET	1		69	314A-12	LOCKWASHER	2				
							<b>EXHAUST STACK INSTALLATION - EXHAUST ASPIRATED PRE-CLEANER</b>			<b>720 thru 780A</b>		
30	55203	CLAMP	1		70	*55098	RAIN CAP	1				
31	50A-0608	BOLT	2		71	*56109	EJECTOR STACK	1				
32	50A-0612	BOLT	2		72	*57284	CLAMP	1				
33	14A-06	LOCKWASHER	4		73	*57285	CLAMP	1				
34	14C-06	FLATWASHER	2		74	*57783	REDUCER	1				
35	30A-06	NUT	4									
36	350A-10030	BOLT	4									
37	314A-10	LOCKWASHER	4									
38	314C-10	FLATWASHER	4									
												<b>NOTE: SEE 8-7-6A FOR AIR INTAKE PARTS</b>

CHAMPION ROAD MACHINERY



EFFECTIVE SERIAL NUMBER(S) 16224, 16245 TO 16805  
 NUMEROS(S) DE SERIE EFFECTIF(S)  
 NUMEROS(S) DE SERIE EFECTIVO(S)  
 U.S. 2021-2 TO 2401-2

700 SERIES  
 SERIE 700

SECTION 8 PAGE 11  
 SECCION 8 PAGINA 11

ISSUE No. 1 REVISION B  
 N° D'ÉMISSION  
 N° DE EDICION

RADIATOR INSTALLATION - MODEL 710 THRU 730A

APRIL 1987

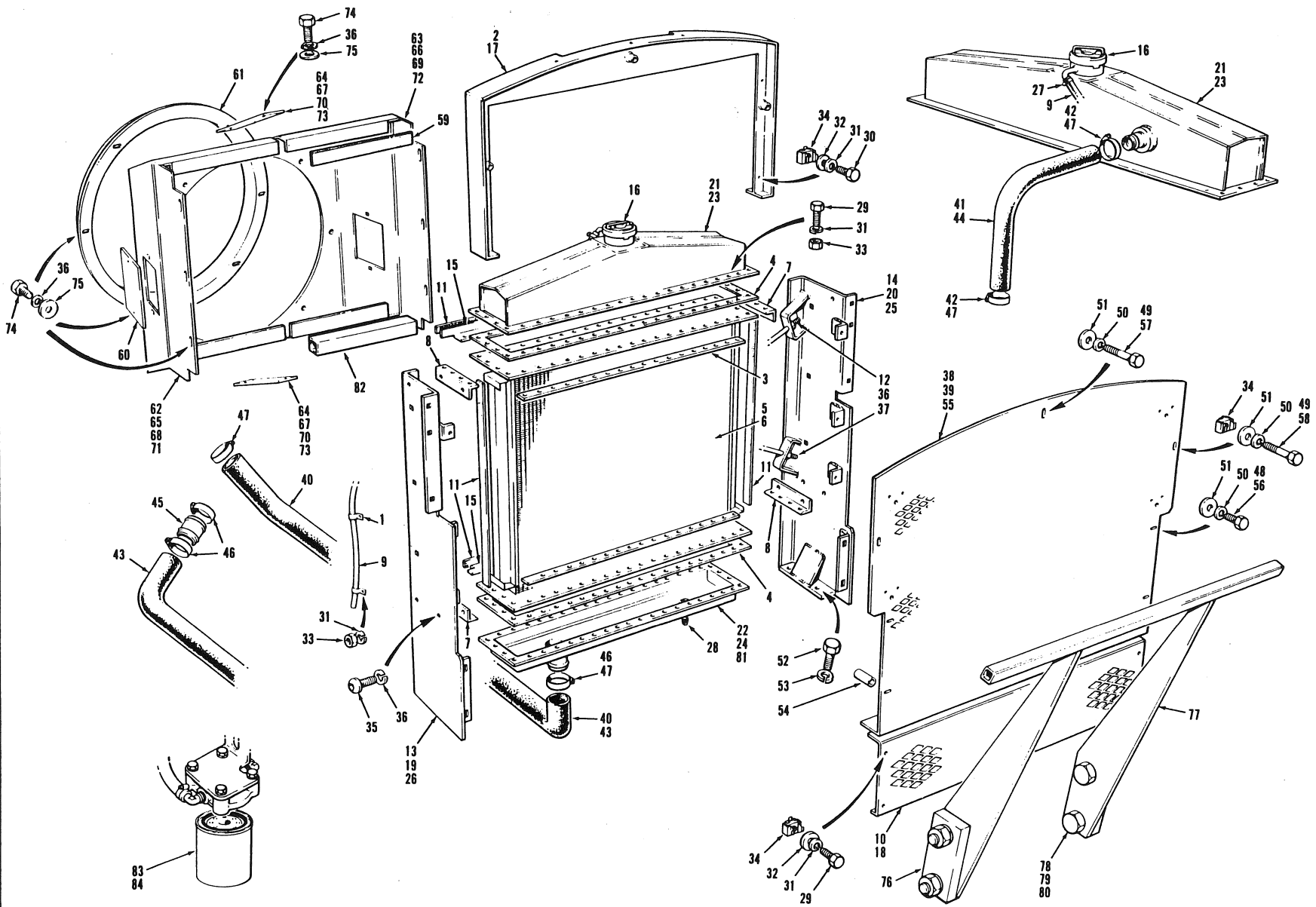
END LIST OF PARTS - TURN THIS PAGE      DON'D LA LISTE DES PIÉCES - VOIR AU VERTON      DADA LA LISTA DE LAS PIEZAS - VED AL VERTON

USE ONLY CHAMPION ROAD MACHINERY APPROVED PARTS





SECTION SECCION		PAGE PAGINA	ISSUE No. N° D'ÉMISSION N° DE EDICION	RADIATOR ASSEMBLY - MODELS 710 THRU 730A		APRIL 1987			
No. N° N°	PART No. N° DE PIÈCE N° DE PIEZA	DESCRIPTION DÉSCRIPTION DESCRIPCION	No. REQ N° REQ. N° REQ.	REMARKS REMARQUES NOTAS	No. N° N°	PART No. N° DE PIECE N° DE PIEZA	DESCRIPTION DÉSCRIPTION DESCRIPCION	No. REQ N° REQ. N° REQ.	REMARKS REMARQUES NOTAS
	40891	RADIATOR ASSEMBLY - INCLUDES ITEMS 1 TO 4 6 TO 16 & 23 TO 35	1	6CT8.3	50	50A-0812	BOLT	4	
	41740	RADIATOR ASSEMBLY - INCLUDES ITEMS 1 TO 5 7 TO 16, 21, 22 & 25 TO 35	1	6BT5.9	51	14A-08	LOCKWASHER	4	
	41768	RADIATOR ASSEMBLY - INCLUDES ITEMS 1, 3 TO 5, 7 TO 9, 11, 12, 15 TO 22 & 25 TO 35	1	6BT5.9			<u>A.W.D. WITH AIR CONDITIONER</u>		
	41776	RADIATOR ASSEMBLY - INCLUDES ITEMS 1, 3, 4, 6 TO 9, 11, 12, 15 TO 20 & 23 TO 35	1	6CT8.3 A.W.D.	52	*45017	SPACER	7	
1	1776	CLAMP	2		53	*45047	GRILL	1	
2	12331	HOOD SUPPORT	1		54	*50A-0524z1	BOLT	4	
3	17636	BAR	2		55	*50A-0526z1	BOLT	1	
4	17664	GASKET	2		56	*50A-0532z1	BOLT	2	
5	23348	CORE - 4 ROW	1	6BT5.9			<u>FAN SHROUD ASSEMBLY</u>		
6	23350	CORE - 6 ROW	1	6CT8.3	57	28344 X 132	TAPE SEALANT - 132 INCHES LONG	1	
7	26120	ANGLE - UPPER R.H. & LOWER L.H.	2		58	33413	COVER	2	
8	26121	ANGLE - LOWER R.H. & UPPER L.H.	2						
9	27429 X 35	HOSE	1		59	40204	RING	1	
10	*43539	COVER	1		60	40893	SHROUD - L.H.	1	
11	28344 X 27.5	TAPE SEALANT - 27.5 INCHES LONG	1		61	40894	SHROUD - R.H.	1	
12	35559	ROD	2		62	40895	COUPLING STRIP	2	6CT8.3
13	40039	SIDE MEMBER - L.H.	1		63	41674	SHROUD - L.H.	1	
14	40040	SIDE MEMBER - R.H.	1		64	41675	SHROUD - R.H.	1	6CT8.3
15	40041	ANGLE	2		65	41677	COUPLING STRIP	2	A.W.D.
16	40827	RADIATOR CAP	1		66	41587	SHROUD - L.H.	1	
17	30570	HOOD SUPPORT	1		67	41588	SHROUD - R.H.	1	6BT5.9
18	30607	COVER	1		68	41589	COUPLING STRIP	2	
19	41008	SIDE MEMBER - L.H.	1	A.W.D.	69	41592	SHROUD - L.H.	1	
20	41009	SIDE MEMBER - R.H.	1		70	41593	SHROUD - R.H.	1	6BT5.9
21	41741	TANK - TOP	1	6BT5.9	71	41589	COUPLING STRIP	2	A.W.D.
22	41742	TANK - LOWER	1						
23	41781	TANK - TOP	1	6CT8.3	72	*50A-0608	BOLT	10	
24	41782	TANK - LOWER	1		73	14C-06	FLATWASHER	10	
25	*22B-06	CLAMP	1				<u>RADIATOR GUARD INSTALLATION</u>		OPTIONAL
26	115E-04	PLUG	1		74	12984	LUG	2	REPAIR PART
27	50A-0508z1	BOLT	100		75	35239	GUARD	1	
28	50A-0516z1	BOLT	3		76	50A-2036	BOLT	4	
29	14A-05z1	LOCKWASHER	94		77	14A-20	LOCKWASHER	4	
30	14C-05z1	FLATWASHER	A.R.		78	30A-20	NUT	4	
31	*30A-05	NUT	94				<u>TROPICAL PROTECTION PACKAGE - OPTIONAL</u>		
32	*38A-0503	CAGE NUT	4						
33	50F-0608	BOLT	8						
34	14A-06	LOCKWASHER	12						
35	30A-06	NUT	4						
		<u>RADIATOR INSTALLATION</u>							
36	40877	GRILLE	1		79	41735	TANK - LOWER	1	6CT8.3
37	40880	GRILLE	1	A.W.D.	80	44847	FILLER TUBE	4	
38	41702	HOSE - LOWER	1						
39	41703	HOSE - UPPER	1	6BT5.9					
40	22A-212	CLAMP	2				<u>COOLANT FILTERS</u>		
41	41704	HOSE - LOWER	1		81	45674	COOLANT CONDITIONING FILTER	1	720 THRU
42	41705	HOSE - UPPER	1		82	34654	COOLANT PRE-CHARGE FILTER. USE ONLY WHERE THE COOLING SYSTEM HAS BEEN FLUSHED AND FILLED WITH NEW COOLANT.	1	730A
43	41767	HOSE - JOINER	1	6CT8.3					
44	22A-238	CLAMP	3						
45	22A-256	CLAMP	2						
46	50A-0508z1	BOLT	4						
47	50A-0516z1	BOLT	3						
48	14A-05z1	LOCKWASHER	7						
49	14C-05z1	FLATWASHER	7						



EFFECTIVE SERIAL NUMBER(S)  
 NUMEROS(S) DE SERIE EFFECTIFS(S)  
 NUMEROS(S) DE SERIE EFFETTIVO(S)  
 17728 to 19981, 19983, 19986 to  
 19995, 19997 to 20004, 20006 to  
 20026, 20233 to 20264, 20376 to  
 20382  
 U.S. 2652-2 to 2658-2

700 SERIES  
 SERIE 700

SECTION 8  
 SECCION 8  
 PAGE 11  
 PAGINA 11

ISSUE No.  
 N° D'ÉMISSION  
 N° DE EDICION 3 REVISION D

RADIATOR INSTALLATION - MODELS 710 THRU 730A

APRIL 1991

FOR LIST OF PARTS - TURN THIS PAGE

POUR LA LISTE DES PIÈCES - VOIR AU VERSO

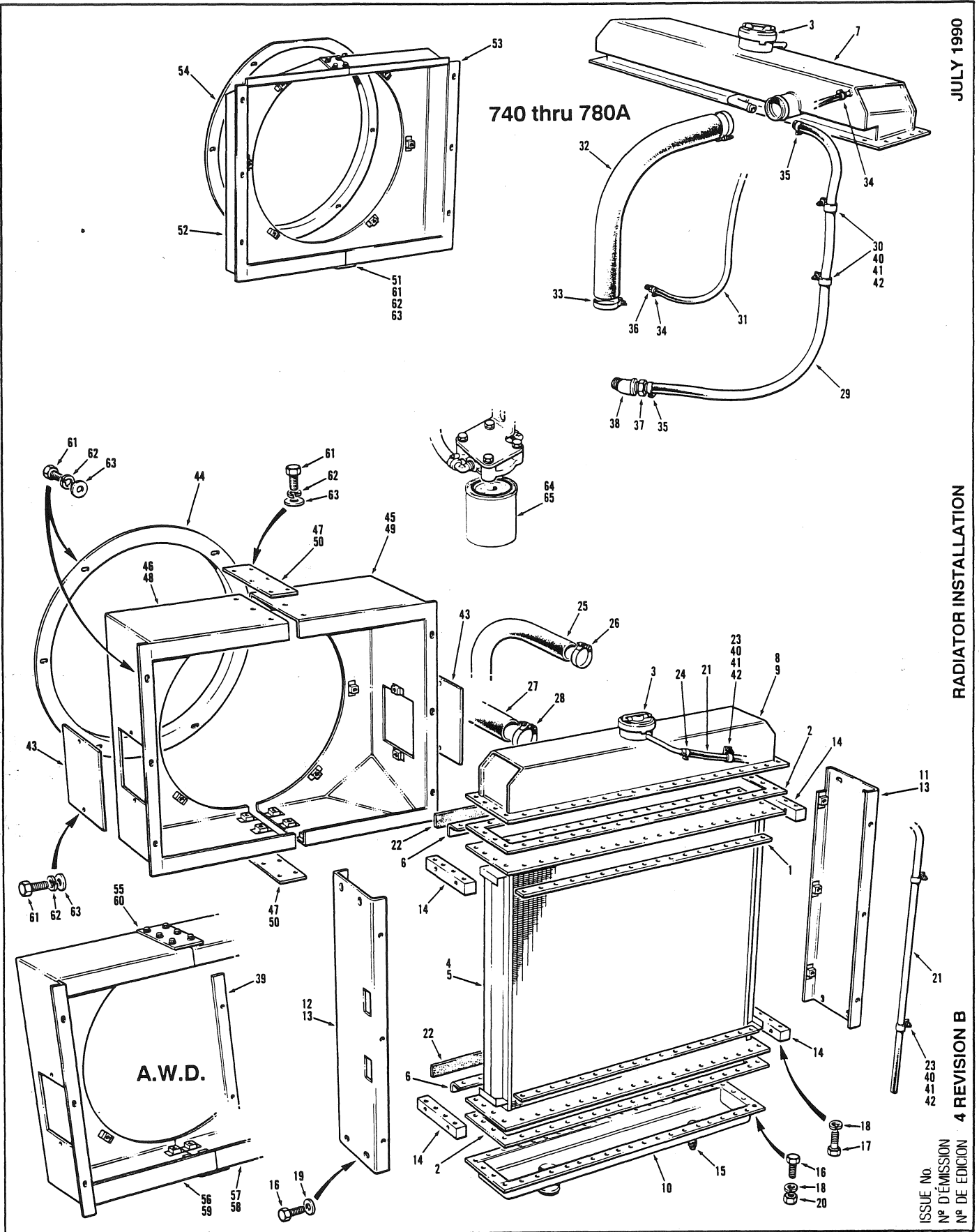
PARA LA LISTA DE LAS PIEZAS - VER AL VERSO

USE ONLY CHAMPION ROAD MACHINERY APPROVED PARTS

SECTION SECCION	8	PAGE PAGINA	12	ISSUE No. N° D'ÉMISSION N° DE EDICION	3 REVISION D	RADIATOR INSTALLATION - MODELS 710 THRU 730A			APRIL 1991
No. N° N°	PART No. N° DE PIÈCE N° DE PIEZA	DESCRIPTION DÉSCRIPTION DESCRIPCION	No. REQ. N° REQ. N° REQ.	REMARKS REMARQUES NOTAS	No. N° N°	PART No. N° DE PIECE N° DE PIEZA	DESCRIPTION DÉSCRIPTION DESCRIPCION	No. REQ. N° REQ. N° REQ.	REMARKS REMARQUES NOTAS
	40891	RADIATOR ASSEMBLY - INCLUDES ITEMS 1 TO 4 6 TO 16 & 23, 24, 27 TO 37	1	730/730A	43	41704	HOSE - LOWER	1	720 thru 730A
	41768	RADIATOR ASSEMBLY - INCLUDES ITEMS 1, 3 TO 5, 7 TO 9, 11, 12, 15 TO 22 & 27 TO 37	1	710/710A	44	41705	HOSE - UPPER	1	
	41776	RADIATOR ASSEMBLY - INCLUDES ITEMS 1, 3, 4 6 TO 9, 11, 12, 15 TO 20 & 23, 24, 27 TO 37	1	720 thru 730A	45	41767	HOSE - JOINER	1	720 thru 730A
	45127	RADIATOR ASSEMBLY - INCLUDES ITEMS 1 TO 4 6 TO 12, 15, 16 & 23 TO 37	1	720/720A	46	22A-238	CLAMP	3	
	45129	RADIATOR ASSEMBLY - INCLUDES ITEMS 1 TO 5 7 TO 12, 15, 16, 21, 22, 25, 26 TO 37	1	710/710A	47	22A-256	CLAMP	2	
	1776	CLAMP	2		48	50A-0510zl	BOLT	4	
1	12331	HOOD SUPPORT	1		49	50A-0516zl	BOLT	3	
2	17636	BAR	2		50	14A-05zl	LOCKWASHER	7	
3	17664	GASKET	2		51	14C-05zl	FLATWASHER	7	
4	51171	CORE - 3 ROW	1	710/710A	52	50A-0812	BOLT	4	
5				S/N 19718 & UP	53	14A-08	LOCKWASHER	4	
6	23348	CORE - 4 ROW - UP TO S/N 19717	1	710/710A	<b>A.W.D. WITH AIR CONDITIONER</b>				
	51172	CORE - 5 ROW	1	720 thru 730A	54	45017	SPACER	7	
				S/N 19588 & UP	55	45047	GRILLE	1	
7	23350	CORE - 6 ROW - UP TO S/N 19587	1	720 thru 730A	56	50A-0524zl	BOLT	4	
8	26120	ANGLE - UPPER R.H. & LOWER L.H.	2		57	50A-0526zl	BOLT	1	
9	26121	ANGLE - LOWER R.H. & UPPER L.H.	2		58	50A-0532zl	BOLT	2	
10	27429 x 35	HOSE	1		<b>FAN SHROUD ASSEMBLY</b>				
11	43539	COVER	1		59	28344 x 132	TAPE SEALANT - 132" LONG	1	
12	28344 x 27.5	TAPE SEALANT - 27.5" LONG	1		60	33413	COVER	2	
13	35559	ROD	2		61	45071	RING	1	
14	40039	SIDE MEMBER - L.H.	1	730/730A	62	40893	SHROUD - L.H.	1	720 thru 730A
15	40040	SIDE MEMBER - R.H.	1		63	40894	SHROUD - R.H.	1	
16	40041	ANGLE	2		64	40895	COUPLING STRIP	2	
17	40827	RADIATOR CAP	1		65	45108	SHROUD - L.H.	1	720 thru 730A
18	30570	HOOD SUPPORT	1		66	45109	SHROUD - R.H.	1	
19	30607	COVER	1		67	41677	COUPLING STRIP	2	A.W.D.
20	41008	SIDE MEMBER - L.H.	1	A.W.D.	68	41587	SHROUD - L.H.	1	710/710A
21	41009	SIDE MEMBER - R.H.	1		69	41588	SHROUD - R.H.	1	
22	41741	TANK - TOP	1	710/710A	70	41589	COUPLING STRIP	2	
23	41742	TANK - LOWER	1		71	45124	SHROUD - L.H.	1	710/710A
24	41781	TANK - TOP	1	720 thru 730A	72	45125	SHROUD - R.H.	1	
25	41782	TANK - LOWER	1		73	41589	COUPLING STRIP	2	A.W.D.
26	45112	SIDE MEMBER - R.H.	1	710 thru 720A	74	50A-0608	BOLT	10	
27	45113	SIDE MEMBER - L.H.	1		75	14C-06	FLATWASHER	10	
28	22D-06	CLAMP	1		<b>RADIATOR GUARD INSTALLATION - OPTIONAL</b>				
29	115E-04	PLUG	1		76	12984	LUG	2	REPAIR PART
30	50A-0506zl	BOLT	88		77	35239	GUARD	1	
31	50A-0516zl	BOLT	3		78	50A-2036	BOLT	4	
32	14A-05zl	LOCKWASHER	94		79	14A-20	LOCKWASHER	4	
33	14C-05zl	FLATWASHER	94		80	30A-20	NUT	4	
34	30A-05	NUT	94		<b>TROPICAL PROTECTION PACKAGE - OPTIONAL</b>				
35	38A-0503	CAGE NUT	4			44811	RADIATOR ASSEMBLY - INCLUDES ITEMS 1 TO 4 6 TO 16 & 23, 25 TO 35, 79 & 80	1	S/N 17581 & UP 720 thru 730A
36	50F-0608	BOLT	8		81	41735	TANK - LOWER	1	
37	14A-06	LOCKWASHER	32		82	44847	FILLER TUBE	4	
38	30A-06	NUT	4		<b>COOLANT FILTERS</b>				
39	40877	GILLE	1		83	45674	COOLANT CONDITIONING FILTER	1	720 thru
40	40880	GRILLE	1	A.W.D.	84	34654	COOLANT PRE-CHARGE FILTER. USE ONLY WHERE THE COOLING SYSTEM HAS BEEN FLUSHED AND FILLED WITH NEW COOLANT.	1	730A
41	41702	HOSE - LOWER	1						
42	41703	HOSE - UPPER	1	710/710A					
	22A-212	CLAMP	2						



CHAMPION ROAD MACHINERY

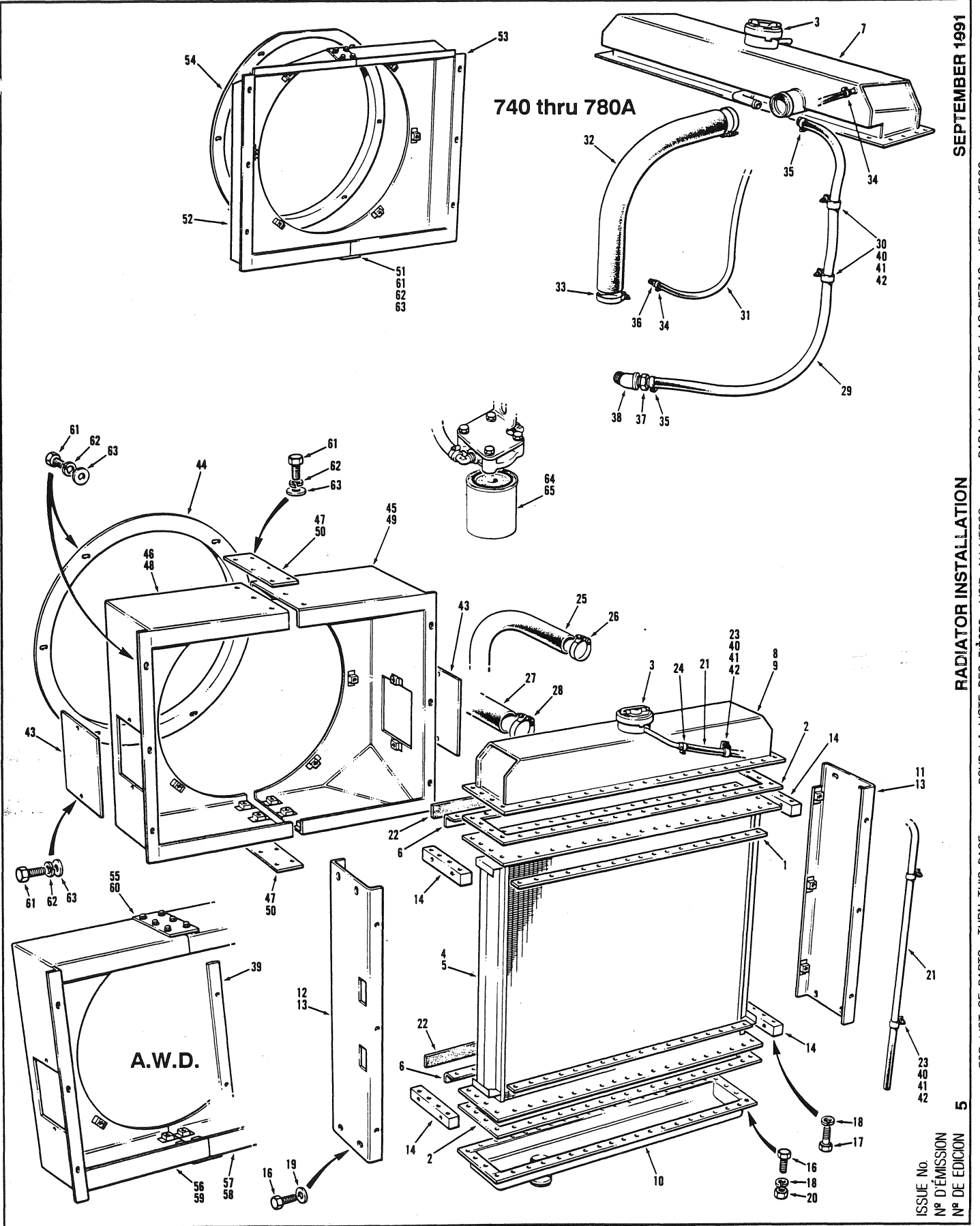


EFFECTIVE SERIAL NUMBER(S) 19982, 19984, 19985, 19996,  
 NUMERO(S) DE SÉRIE EFFECTIF(S) 20005, 20227 to 20232,  
 NUMERO(S) DE SÉRIE EFECTIVO(S) 20265 to 20375, 20383 & UP

**700 SERIES**  
**SERIE 700**

**SECTION 8** **PAGE 11**  
**SECCION 8** **PAGINA 11**

SECTION 8		PAGE 12		ISSUE No. 4 REVISION B		RADIATOR INSTALLATION			JULY 1990	
SECCION 8		PAGINA 12		N° D'ÉMISSION 4 REVISION B						
No. N° N°	PART No. N° DE PIÈCE N° DE PIEZA	DESCRIPTION DESCRIPTION DESCRIPCION	No. REQ. N° REQ. N° REQ.	REMARKS REMARQUES NOTAS	No. N° N°	PART No. N° DE PIECE N° DE PIEZA	DESCRIPTION DESCRIPTION DESCRIPCION	No. REQ. N° REQ. N° REQ.	REMARKS REMARQUES NOTAS	
<b>RADIATOR ASSEMBLY</b>										
	52562	RADIATOR ASSEMBLY - INCLUDES ITEMS 1 TO 4, 6, 8, 10 & 13 TO 20	1	710/710A	29	9313 x 51	HOSE	1		
	52563	RADIATOR ASSEMBLY - INCLUDES ITEMS 1 TO 4, 6, 8, 10 TO 12 & 14 TO 20	1	710/710A c/w A.W.D.	30	*32319	CLAMP	2		
	52564	RADIATOR ASSEMBLY - INCLUDES ITEMS 1 TO 3, 5, 6, 9, 10 & 13 TO 20	1	720 thru 730A	31	52807 x 35	HOSE	1		
	52565	RADIATOR ASSEMBLY - INCLUDES ITEMS 1 TO 3, 5, 6, 9 TO 12 & 14 TO 20	1	720 thru 730A c/w A.W.D.	32	52850	HOSE - UPPER	1		
	52566	RADIATOR ASSEMBLY - INCLUDES ITEMS 1 TO 3, 5 TO 7, 10 & 13 TO 20	1	740 thru 780A	33	*22A-282	CLAMP	2	740	
1	17636	BAR	2		34	22B-06	CLAMP	2	thru 780A	
2	17664	GASKET	2		35	22B-12	CLAMP	2		
3	40827	RADIATOR CAP	1		36	106A-0402	CONNECTOR	1		
4	51171	RADIATOR CORE - 3 ROW	1	710/710A	37	108D-1216	CONNECTOR	1		
5	51172	RADIATOR CORE - 5 ROW	1	720 thru 780A	38	115H-16	ELBOW	1		
6	52610	ANGLE	2		39	52929	SPACER - OIL COOLER	2	A.W.D.	
7	*55339	TANK - TOP	1	740 thru 780A	40	14A-06	LOCKWASHER	5		
8	52824	TANK - TOP	1	710/710A	41	14C-06	FLATWASHER	5		
9	52825	TANK - TOP	1	720 thru 730A	42	30A-06	NUT	5		
10	52843	TANK - LOWER	1		<b>FAN SHROUD INSTALLATION</b>					
11	52943	SIDE MEMBER - R.H.	1	A.W.D.	43	33413	COVER	2	710	
12	52944	SIDE MEMBER - L.H.	1	A.W.D.	44	40204	RING	1	thru 730A	
13	52989	SIDE MEMBER	2		45	52637	SHROUD - R.H.	1		
14	53003	MOUNTING BAR	4		46	*57275	SHROUD - L.H.	1	710/710A	
15	115E-04	PLUG	1		47	52645	COUPLING STRIP	2		
16	50A-0508zi	BOLT	80		48	*57304	SHROUD - L.H.	1	720	
17	50A-0510zi	BOLT	16		49	*57300	SHROUD - R.H.	1	thru 730A	
18	14A-05zi	LOCKWASHER	88		50	52636	COUPLING STRIP	2		
19	14C-05zi	NUT	72		51	40045	COUPLING STRIP	2		
20	30A-05	NUT	72		52	56029	SHROUD - L.H.	1	740	
<b>RADIATOR INSTALLATION</b>										
21	27429 x 70	HOSE	1		53	56024	SHROUD - R.H.	1	thru 780A	
22	28344 x 35	TAPE SEALANT	2		54	52796	RING	1		
23	*32317	CLAMP	3		55	52636	COUPLING STRIP	2	710/710A	
24	22D-06	CLAMP	1		56	56041	SHROUD - L.H.	1	&	
25	41703	HOSE - UPPER	1	710	57	56042	SHROUD - R.H.	1	A.W.D.	
26	22A-212	CLAMP	2	& 710A	58	56037	SHROUD - R.H.	1	720	
27	41705	HOSE - UPPER	1	720	59	56038	SHROUD - L.H.	1	thru 730A	
28	22A-256	CLAMP	2	thru 730A	60	52938	COUPLING STRIP	1	A.W.D.	
<b>NOTE:</b> SEE OIL COOLER INSTALLATION 6-17-3 FOR LOWER RAD HOSE										
					61	50A-0608	BOLT	22		
					62	14A-06	LOCKWASHER	22		
					63	14C-06	FLATWASHER	22		
					64	45674	COOLANT CONDITIONING FILTER	1		
					65	34654	COOLANT PRE-CHARGE FILTER - USE ONLY WHERE THE COOLING SYSTEM IS FLUSHED AND FILLED WITH NEW COOLLANT	1		
<b>NOTE:</b> SEE 10-9 FOR FAN GUARD INSTALLATIONS										

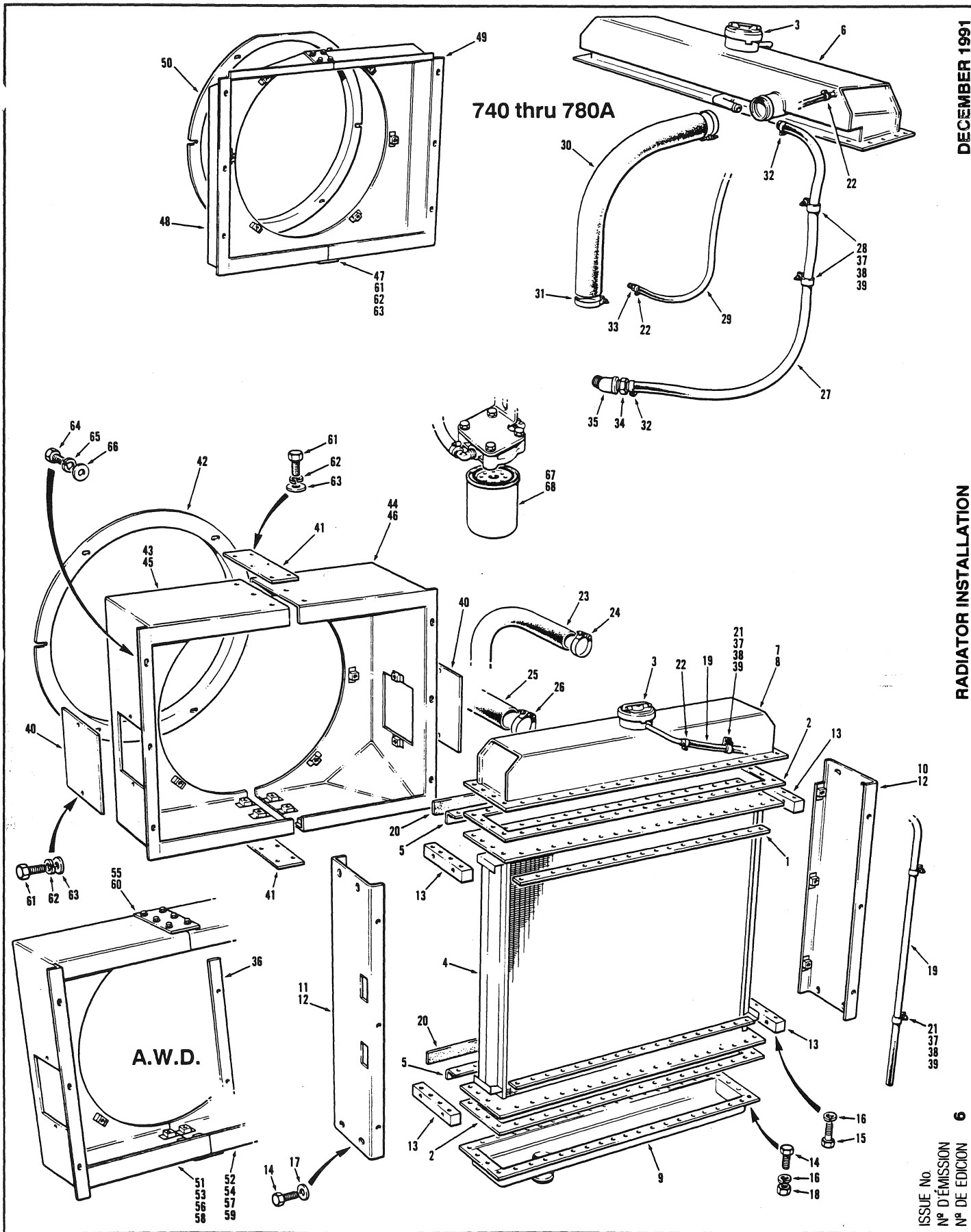


EFFECTIVE SERIAL NUMBER(S) 21754 & UP  
 NUMERO(S) DE SÉRIE EFFECTIF(S) EXCEPT 21785, 21797, 21801,  
 NUMERO(S) DE SERIE EFECTIVO(S) 21805, 21809, 21813 & 21818

**700 SERIES**  
**SERIE 700**

**SECTION 8** **PAGE 11**  
**SECCION 8** **PAGINA 11**

SECTION SECCION		PAGE PAGINA		ISSUE No. N° D'ÉMISSION N° DE EDICION		RADIATOR INSTALLATION			SEPTEMBER 1991	
No. N° N°	PART No. N° DE PIÈCE N° DE PIEZA	DESCRIPTION DESCRIPTION DESCRIPCION	No. REQ. N° REQ. N° REQ.	REMARKS REMARQUES NOTAS	No. N° N°	PART No. N° DE PIECE N° DE PIEZA	DESCRIPTION DESCRIPTION DESCRIPCION	No. REQ. N° REQ. N° REQ.	REMARKS REMARQUES NOTAS	
		<b>RADIATOR ASSEMBLY</b>			29	9313 x 51	HOSE	1		
	52562	RADIATOR ASSEMBLY - INCLUDES ITEMS 1 TO 4, 6, 8, 10 & 13 TO 20	1	710/710A	30	32319	CLAMP	2		
	52563	RADIATOR ASSEMBLY - INCLUDES ITEMS 1 TO 4, 6, 8, 10 TO 12 & 14 TO 20	1	710/710A c/w A.W.D.	31	52807 x 35	HOSE	1		
	52564	RADIATOR ASSEMBLY - INCLUDES ITEMS 1 TO 3, 5, 6, 9, 10 & 13 TO 20	1	720 thru 730A	32	52850	HOSE - UPPER	1		
	52565	RADIATOR ASSEMBLY - INCLUDES ITEMS 1 TO 3, 5, 6, 9 TO 12 & 14 TO 20	1	720 thru 730A c/w A.W.D.	33	22A-282	CLAMP	2	740	
	52566	RADIATOR ASSEMBLY - INCLUDES ITEMS 1 TO 3, 5 TO 7, 10 & 13 TO 20	1	740 thru 780A	34	22B-06	CLAMP	2	thru 780A	
1	17636	BAR	2		35	22B-12	CLAMP	2		
2	17664	GASKET	2		36	106A-0402	CONNECTOR	1		
3	40827	RADIATOR CAP	1		37	108D-1216	CONNECTOR	1		
4	51171	RADIATOR CORE - 3 ROW	1	710/710A	38	115H-16	ELBOW	1		
5	51172	RADIATOR CORE - 5 ROW	1	720 thru 780A	39	52929	SPACER - OIL COOLER	2	A.W.D.	
6	52610	ANGLE	2		40	14A-06	LOCKWASHER	5		
7	55339	TANK - TOP	1	740 thru 780A	41	14C-06	FLATWASHER	5		
8	52824	TANK - TOP	1	710/710A	42	30A-06	NUT	5		
9	52825	TANK - TOP	1	720 thru 730A			<b>FAN SHROUD INSTALLATION</b>			
10	*65044	TANK - LOWER	1		43	33413	COVER	2	710	
11	52943	SIDE MEMBER - R.H.	1	A.W.D.	44	40204	RING	1	thru 730A	
12	52944	SIDE MEMBER - L.H.	1	A.W.D.	45	52637	SHROUD - R.H.	1		
13	52989	SIDE MEMBER	2		46	57275	SHROUD - L.H.	1	710/710A	
14	53003	MOUNTING BAR	4		47	52645	COUPLING STRIP	2		
16	50A-0508zi	BOLT	80		48	57304	SHROUD - L.H.	1	720	
17	50A-0510zi	BOLT	16		49	57300	SHROUD - R.H.	1	thru 730A	
18	14A-05zi	LOCKWASHER	88		50	52636	COUPLING STRIP	2		
19	14C-05zi	NUT	72		51	40045	COUPLING STRIP	2		
20	30A-05	NUT	72		52	56029	SHROUD - L.H.	1	740	
		<b>RADIATOR INSTALLATION</b>			53	56024	SHROUD - R.H.	1	thru 780A	
21	27429 x 70	HOSE	1		54	52796	RING	1		
22	28344 x 35	TAPE SEALANT	2		55	52636	COUPLING STRIP	2	710/710A	
23	32317	CLAMP	4		56	56041	SHROUD - L.H.	1	&	
24	22D-06	CLAMP	1		57	56042	SHROUD - R.H.	1	A.W.D.	
25	41703	HOSE - UPPER	1	710	58	56037	SHROUD - R.H.	1	720	
26	22A-212	CLAMP	2	& 710A	59	56038	SHROUD - L.H.	1	thru 730A	
27	41705	HOSE - UPPER	1	720	60	52938	COUPLING STRIP	1	A.W.D.	
28	22A-256	CLAMP	2	thru 730A	61	50A-0608	BOLT	22		
	<b>NOTE:</b>	SEE OIL COOLER INSTALLATION 6-17-3 FOR LOWER RAD HOSE			62	14A-06	LOCKWASHER	22		
					63	14C-06	FLATWASHER	22		
					64	45674	COOLANT CONDITIONING FILTER	1		
					65	34654	COOLANT PRE-CHARGE FILTER - USE ONLY WHERE THE COOLING SYSTEM IS FLUSHED AND FILLED WITH NEW COOLLANT	1		
						<b>NOTE:</b>	SEE 10-9 FOR FAN GUARD INSTALLATIONS			



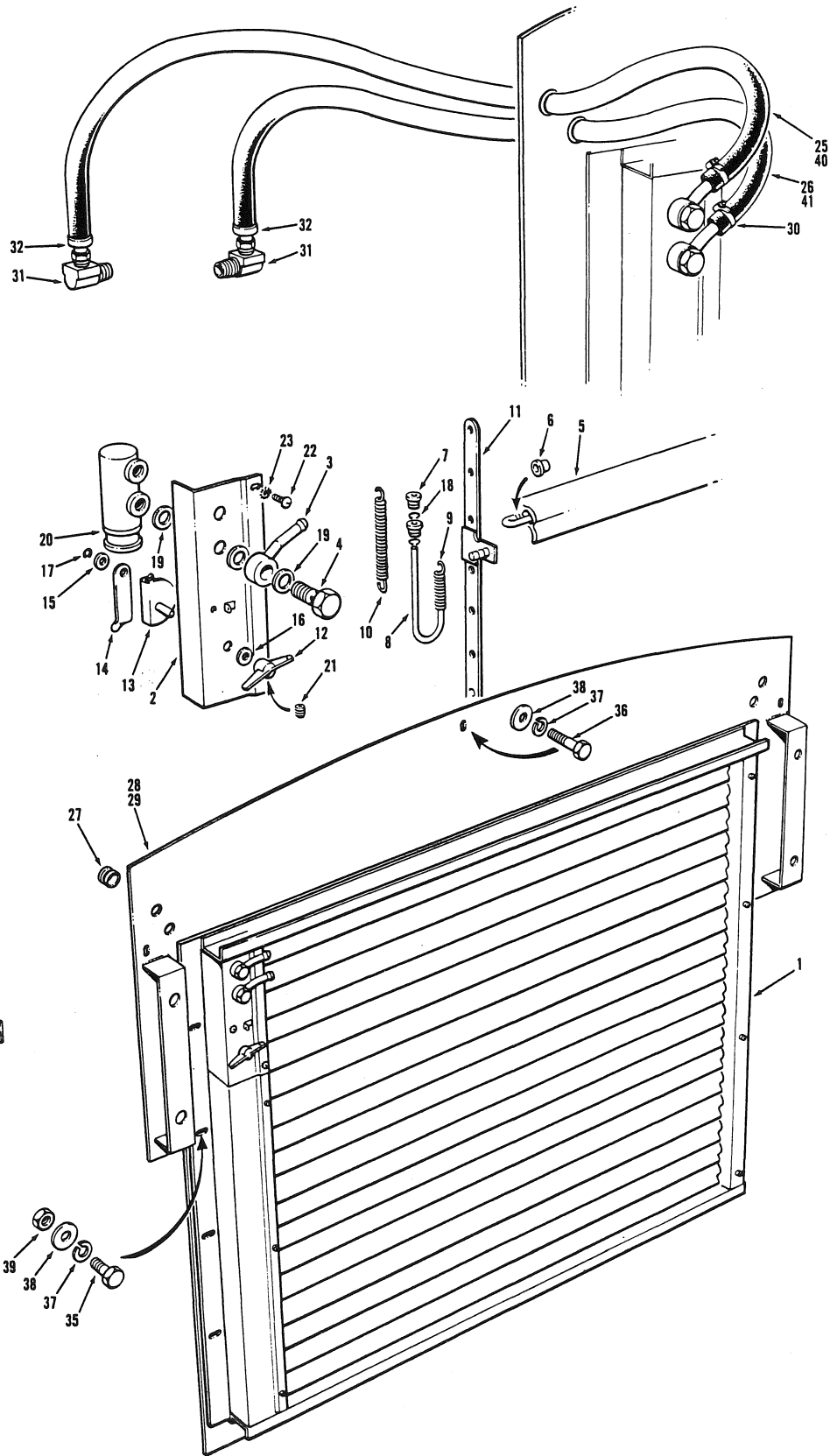
EFFECTIVE SERIAL NUMBER(S) 21911 & UP  
 NUMERO(S) DE SÉRIE EFFECTIF(S)  
 NUMERO(S) DE SERIE EFECTIVO(S)

700 SERIES  
 SERIE 700

SECTION 8 PAGE 11  
 SECCION 8 PAGINA 11

ISSUE No.  
 N° D'ÉMISSION  
 N° DE EDICIÓN

SECTION SECCION		PAGE PAGINA		ISSUE No. N° D'ÉMISSION N° DE EDICION		RADIATOR INSTALLATION			DECEMBER 1991	
No. N° N°	PART No. N° DE PIÈCE N° DE PIEZA	DESCRIPTION DESCRIPTION DESCRIPCION	No. REQ N° REQ. N° REQ.	REMARKS REMARQUES NOTAS	No. N° N°	PART No. N° DE PIECE N° DE PIEZA	DESCRIPTION DESCRIPTION DESCRIPCION	No. REQ N° REQ. N° REQ.	REMARKS REMARQUES NOTAS	
		<b>RADIATOR ASSEMBLY</b>								
	*56091	RADIATOR ASSEMBLY - INCLUDES ITEMS 1 TO 5, 7, 9 & 12 TO 18	1	710/710A	31	22A-282	CLAMP	2	} 740 thru 780A	
	*65180	RADIATOR ASSEMBLY - INCLUDES ITEMS 1 TO 5, 7, 9 TO 11 & 13 TO 18	1	710/710A	32	22B-12	CLAMP	2		
	52564	RADIATOR ASSEMBLY - INCLUDES ITEMS 1 TO 5, 8, 9 & 12 TO 18	1	720 thru 730A	33	106A-0402	CONNECTOR	1		
	52565	RADIATOR ASSEMBLY - INCLUDES ITEMS 1 TO 5, 8 TO 11 & 13 TO 18	1	720 thru 730A c/w A.W.D.	34	108D-1216	CONNECTOR	1	} A.W.D.	
	52566	RADIATOR ASSEMBLY - INCLUDES ITEMS 1 TO 8, 5 TO 7, 10 & 13 TO 20	1	740 thru 780A	35	115H-16	ELBOW	1		
1	17636	BAR	2		36	52929	SPACER - OIL COOLER	2	} A.W.D.	
2	17664	GASKET	2		37	14A-06	LOCKWASHER	5		
3	40827	RADIATOR CAP	1		38	14C-06	FLATWASHER	5	} A.W.D.	
4	51172	RADIATOR CORE - 5 ROW	1	720 thru 780A	39	30A-06	NUT	5		
5	52610	ANGLE	2				<b>FAN SHROUD INSTALLATION</b>			
6	55339	TANK - TOP	1	740 thru 780A	40	33413	COVER	2	} 710 thru 730A	
7	52824	TANK - TOP	1	710/710A	41	*52636	COUPLING STRIP	2		
8	52825	TANK - TOP	1	720 thru 730A	42	*57619	RING	1	} 710 thru 730A	
9	65044	TANK - LOWER	1		43	*56720	SHROUD - L.H.	1		
10	52943	SIDE MEMBER - R.H.	1	A.W.D.	44	*57624	SHROUD - R.H.	1	} 720 thru 730A	
11	52944	SIDE MEMBER - L.H.	1	A.W.D.	45	*57628	SHROUD - L.H.	1		
12	52989	SIDE MEMBER	2		46	*56730	SHROUD - R.H.	1	} 740 thru 780A	
13	53003	MOUNTING BAR	4		47	40045	COUPLING STRIP	2		
14	50A-0508zi	BOLT	80		48	*57698	SHROUD - L.H.	1	} 710/710A c/w A.W.D.	
15	50A-0510zi	BOLT	16		49	*57699	SHROUD - R.H.	1		
16	14A-05zi	LOCKWASHER	88		50	*57695	RING	1	} 720 thru 730A c/w A.W.D.	
17	14C-05zi	FLATWASHER	8		51	*57615	SHROUD - L.H. - BLOWER FAN	1		
18	30A-05	NUT	72		52	*57611	SHROUD - R.H. - BLOWER FAN	1	} 740 thru 780A	
		<b>RADIATOR INSTALLATION</b>			53	*57642	SHROUD - L.H. - SUCKER FAN	1		
19	27429 x 70	HOSE	1		54	*57646	SHROUD - R.H. SUCKER FAN	1	} 710 thru 730A 740 thru 780A	
20	28344 x 35	TAPE SEALANT	2		55	*65465	COUPLING STRIP	2		
			4	A.W.D.	56	*57571	SHROUD - L.H. - BLOWER FAN	1	} 720 thru 730A c/w A.W.D.	
					57	*57570	SHROUD - R.H. BLOWER FAN	1		
21	32317	CLAMP	4		58	*57654	SHROUD - L.H. - SUCKER FAN	1	} 710 thru 730A 740 thru 780A	
22	*22D-04	CLAMP	1	710 thru 730A	59	*57655	SHROUD - R.H. SUCKER FAN	1		
			3	740 thru 780A	60	*65452	COUPLING STRIP	2	} 710 thru 730A 740 thru 780A	
23	41703	HOSE - UPPER	1	710/710A	61	*50A-0508	BOLT	16		
24	22A-212	CLAMP	2	710/710A	62	*14A-05	LOCKWASHER	12	} 710 thru 730A 740 thru 780A	
25	41705	HOSE - UPPER	1	720 thru 730A	63	*14C-05	FLATWASHER	16		
26	22A-256	CLAMP	2	720 thru 730A	64	50A-0608	BOLT	6	} 710 thru 730A 740 thru 780A	
					65	14A-06	LOCKWASHER	6		
	NOTE:	SEE OIL COOLER INSTALLATION 6-17-3 FOR LOWER RAD HOSE			66	14C-06	FLATWASHER	6	} 710 thru 730A 740 thru 780A	
27	9313 x 51	HOSE	1		67	45674	COOLANT CONDITIONING FILTER	1		
28	32318	CLAMP	2	740		34654	COOLANT PRE-CHARGE FILTER - USE ONLY WHERE THE COOLING SYSTEM IS FLUSHED AND FILLED WITH NEW COOLANT	1	} 740 thru 780A	
29	52807 x 35	HOSE	1				NOTE: SEE 10-9 FOR FAN GUARD INSTALLATIONS			
30	52850	HOSE - UPPER	1							



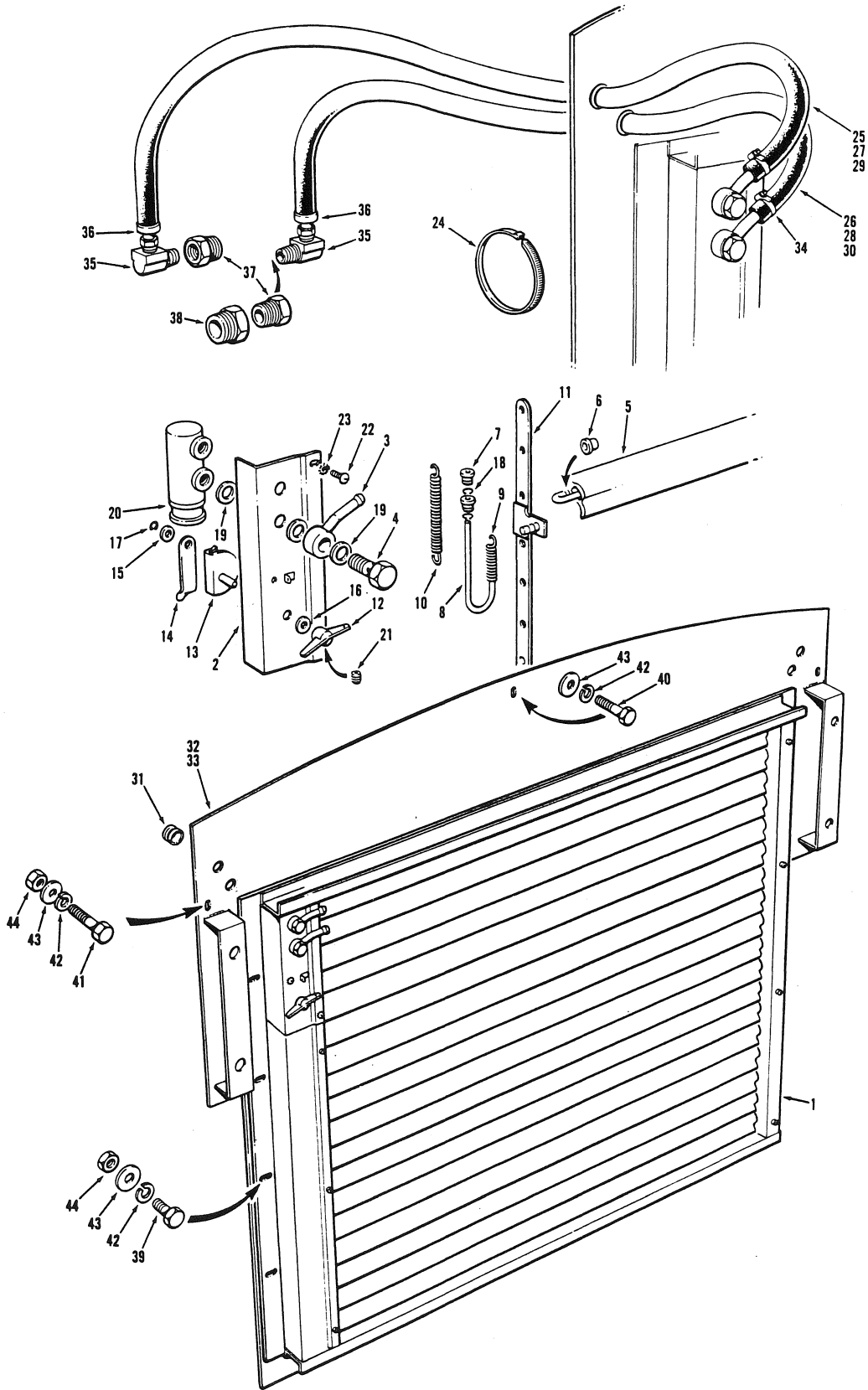
EFFECTIVE SERIAL NUMBER(S) 16223, 16245 TO 19336  
 NUMERO(S) DE SÉRIE EFFECTIF(S)  
 NUMERO(S) DE SÉRIE EFECTIVO(S)

700 SERIES  
 SERIE 700

SECTION 8 PAGE 13  
 SECCION 8 PAGINA 13

SECTION SECCION		PAGE PAGINA	ISSUE No. N° D'ÉMISSION N° DE EDICION	1 REVISION D		RADIATOR SHUTTER			JANUARY 1991	
No. N° N°	PART No. N° DE PIECE N° DE PIEZA	DESCRIPTION DESCRIPTION DESCRIPCION	No. REQ. N° REQ. N° REQ.	REMARKS REMARQUES NOTAS	No. N° N°	PART No. N° DE PIECE N° DE PIEZA	DESCRIPTION DESCRIPTION DESCRIPCION	No. REQ. N° REQ. N° REQ.	REMARKS REMARQUES NOTAS	
	23898	SHUTTER ASSEMBLY - INCLUDES ITEMS 1 TO 23					SHUTTER INSTALLATION			
1	24427	FRAME ASSY.	1		24	1776	CLAMP	3		
2	24428	THERMOSTAT COVER	1		25	9480 X 76	HOSE	1		
3	24429	CONNECTOR	2		26	9480 X 92	HOSE	1		
4	24431	BOLT - SPECIAL	2		27	14713	GROMMET	2		
5	24432	VANE ASSY.	18		28	40834	RADIATOR GRILLE	1	A.W.D.	
6	24433	BUSHING	54		29	40836	RADIATOR GRILLE	1		
7	24434	BUSHING	2							
8	24435	DRIVE ROD	1		30	22D-06	CLAMP	2		
9	24436	SPRING	1		31	100J-0604	ELBOW	2		
10	24437	SPRING	1		32	106D-0606	HOSE END	2		
11	24438	TIE BAR	1		33	14A-04	LOCKWASHER	3		
	•24439	MANUAL CONTROL - C/W ITEMS 12 TO 17	1		34	30A-04	NUT	3		
12	24440	KNOB	1		35	50A-0508	BOLT	12		
13	24441	CAM	1		36	50A-0516	BOLT	3		
14	24446	LATCH	1		37	14A-05	LOCKWASHER	15		
15	24447	FLATWASHER	1		38	14C-05	FLATWASHER	15		
16	24448	FLATWASHER	1		39	30A-05	NUT	8		
17	24450	RETAINING RING	1		40	9480 X 67	HOSE	1	A.W.D.	
18	24451	RETAINING RING	1		41	9480 X 74	HOSE	1	ONLY	
19	24455	GASKET	6							
20	25383	SEALED THERMOSTAT - 170°	1							
21	72E-1004	SET SCREW	1							
22	52L-1004	SCREW	3							
23	14H-10	STARWASHER	3							





JANUARY 1991

RADIATOR SHUTTER

PARA LA LISTA DE LAS PIEZAS - VER AL VERSO

POUR LA LISTE DES PIÈCES - VOIR AU VERSO

FOR LIST OF PARTS - TURN THIS PAGE

ISSUE No.  
N° D'ÉMISSION  
N° DE EDICION

2 REVISION A

EFFECTIVE SERIAL NUMBER(S)  
NUMERO(S) DE SÉRIE EFFECTIF(S)  
NUMERO(S) DE SERIE EFECTIVO(S)

19337 TO 19981, 19983, 19986  
19986 TO 19995, 19997 TO 20004,  
20006 TO 20226, 20233 TO 20264

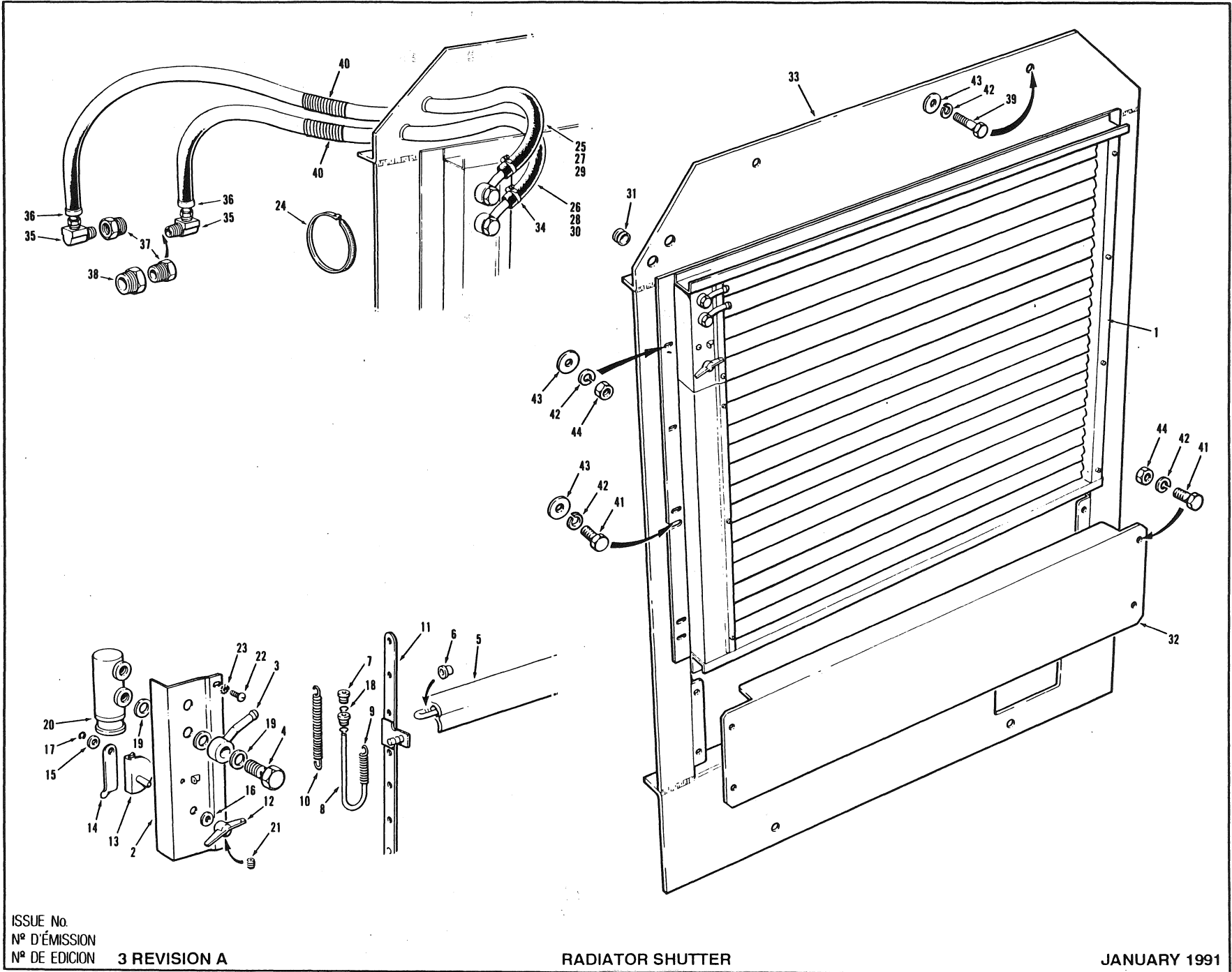
**700 SERIES**  
**SERIE 700**

**SECTION 8**

**PAGE 13**

**13**

SECTION SECCION		PAGE PAGINA		ISSUE No. N° D'ÉMISSION N° DE EDICION		2 REVISION A		RADIATOR SHUTTER			JANUARY 1991	
No. N° N°	PART No. N° DE PIÈCE N° DE PIEZA	DESCRIPTION DESCRIPTION DESCRIPCION	No. REQ. N° REQ. N° REQ.	REMARKS REMARQUES NOTAS	No. N° N°	PART No. N° DE PIECE N° DE PIEZA	DESCRIPTION DESCRIPTION DESCRIPCION	No. REQ. N° REQ. N° REQ.	REMARKS REMARQUES NOTAS			
	51517	SHUTTER ASSEMBLY - INCLUDES ITEMS 1 TO 23					SHUTTER INSTALLATION					
1	24427	FRAME ASSEMBLY	1		24	15774	TIE STRAP	3				
2	24428	THERMOSTAT COVER	1		25	9480X66	HOSE	1	L-10			
3	24429	CONNECTOR	2		26	9480X78	HOSE	1	L-10			
4	24431	BOLT - SPECIAL	2		27	9480X67	HOSE	1	6BT			
5	24432	VANE ASSEMBLY	18		28	9480X74	HOSE	1	6BT			
6	24433	BUSHING	54		29	9480X76	HOSE	1	6CT			
7	24434	BUSHING	2		30	9480X92	HOSE	1	6CT			
8	24435	DRIVE ROD	1		31	14713	GROMMET	2				
9	24436	SPRING	1		32	40834	RADIATOR GRILLE	1	AWD			
10	24437	SPRING	1		33	40836	RADIATOR GRILLE	1				
11	24438	TIE BAR	1		34	22D-06	CLAMP	2				
	*24439	MANUAL CONTROL - C/W ITEMS 12 TO 17	1		35	100J-0604	ELBOW	2				
12	24440	KNOB	1		36	106D-0606	HOSE END	2				
13	24441	CAM	1		37	115B-0804	REDUCER	2	L-10			
14	24446	LATCH	1		38	115B-1208	REDUCER	1	L-10			
15	24447	FLATWASHER	1		39	50A-0508	BOLT	8				
16	24448	FLATWASHER	1		40	50A-0510	BOLT	1				
17	24450	RETAINING RING	1		41	50A-0516	BOLT	2				
18	24451	RETAINING RING	1		42	14A-05	LOCKWASHER	11				
19	24455	GASKET	6		43	14C-05	FLATWASHER	11				
20	51516	SEALED THERMOSTAT - 190°	1		44	30A-05	NUT	8				
21	72E-1004	SET SCREW	1									
22	52L-1004	SCREW	3									
23	14H-10	STARWASHER	3									



USE ONLY  CHAMPION ROAD MACHINERY APPROVED PARTS

EFFECTIVE SERIAL NUMBER(S)  
 NUMEROS(S) DE SERIE EFFECTIF(S)  
 NUMEROS(S) DE SERIE EFECTIVO(S)

19982, 19984, 19985, 19996,  
 20005, 20227 to 20232,  
 20265 to 20601, 20603 to 20605,  
 20607 & UP

**700 SERIES**  
**SERIE 700**

**SECTION 8**  
**SECTION 8**  
**PAGE 13**  
**PAGINA 13**

ISSUE No.  
 N° D'ÉMISSION  
 N° DE EDICION **3 REVISION A**

**RADIATOR SHUTTER**

**JANUARY 1991**

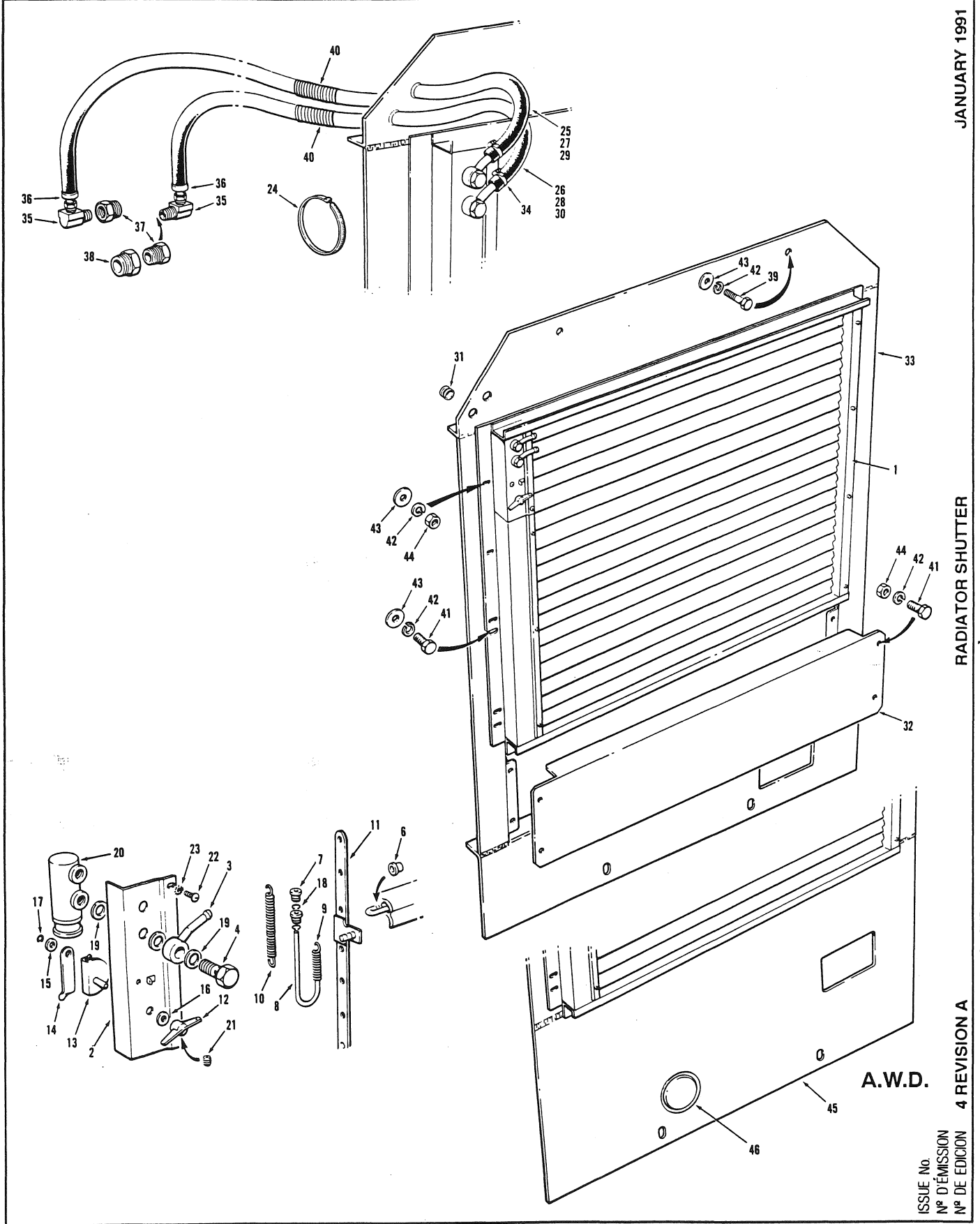
FOR LIST OF PARTS - TURN THIS PAGE

POUR LA LISTE DES PIÈCES - VOIR AU VERSO

PARA LA LISTA DE LAS PIEZAS - VER AL VERSO

SECTION SECCION		PAGE PAGINA		ISSUE No. N° D'ÉMISSION N° DE EDICION		3 REVISION A		RADIATOR SHUTTER		JANUARY 1991	
No. N° N°	PART No. N° DE PIÈCE N° DE PIEZA	DESCRIPTION DESCRIPTION DESCRIPCION	No. REQ. N° REQ. N° REQ.	REMARKS REMARQUES NOTAS	No. N° N°	PART No. N° DE PIECE N° DE PIEZA	DESCRIPTION DESCRIPTION DESCRIPCION	No. REQ. N° REQ. N° REQ.	REMARKS REMARQUES NOTAS		
	51517	SHUTTER ASSEMBLY - INCLUDES ITEMS 1 TO 23					<b>SHUTTER INSTALLATION</b>				
1	24427	GRILLE FRAME ASSEMBLY	1		24	15774	TIE STRAP	3			
2	24428	THERMOSTAT COVER	1		25	9480 x 66	HOSE	1	L-10-C		
3	24429	CONNECTOR	2		26	9480 x 78	HOSE	1	L-10-C		
4	24431	BOLT - SPECIAL	2		27	9480 x 67	HOSE	1	6BT		
5	24432	VANE ASSEMBLY	18		28	9480 x 74	HOSE	1	6BT		
6	24433	BUSHING	54		29	9480 x 76	HOSE	1	6CT		
7	24434	BUSHING	2		30	9480 x 92	HOSE	1	6CT		
8	24435	DRIVE ROD	1		31	52885	GROMMET	2			
9	24436	SPRING	1		32	54734	PLATE	1			
10	24437	SPRING	1		33	54689	RADIATOR GRILLE	1			
11	24438	TIE BAR	1		34	22D-06	CLAMP	2			
	*24439	MANUAL CONTROL - C/W ITEMS 12 TO 17	1		35	100J-0604	ELBOW	2			
12	24440	KNOB	1		36	106D-0606	HOSE END	2			
13	24441	CAM	1		37	115B-0804	REDUCER	2	L-10-C		
14	24446	LATCH	1		38	115B-1208	REDUCER	1	L-10-C		
15	24447	FLATWASHER	1		39	50A-0508	BOLT	4			
16	24448	FLATWASHER	1		40	30927 x 8	HOSE WRAP	2			
17	24450	RETAINING RING	1		41	50A-0506	BOLT	6			
18	24451	RETAINING RING	1		42	14A-05	LOCKWASHER	16			
19	24455	GASKET	6		43	14C-05	FLATWASHER	12			
20	51516	SEALED THERMOSTAT : 190°	1		44	30A-05	NUT	10			
21	72E-1004	SET SCREW	1								
22	52L-1004	SCREW	3								
23	14H-10	STARWASHER	3								

A.W.D.



EFFECTIVE SERIAL NUMBER(S) 20602, 20606 & UP  
 NUMERO(S) DE SÉRIE EFFECTIF(S)  
 NUMERO(S) DE SÉRIE EFECTIVO(S)

**700 SERIES**  
**SERIE 700**

**SECTION 8** **PAGE 13**  
**SECCION 8** **PAGINA 13**

SECTION SECCION		PAGE PAGINA		ISSUE No. N° D'ÉMISSION N° DE EDICION		4 REVISION A		RADIATOR SHUTTER		JANUARY 1991	
No. N° N°	PART No. N° DE PIÈCE N° DE PIEZA	DESCRIPTION DESCRIPTION DESCRIPCION	No. REQ. N° REQ. N° REQ.	REMARKS REMARQUES NOTAS	No. N° N°	PART No. N° DE PIECE N° DE PIEZA	DESCRIPTION DESCRIPTION DESCRIPCION	No. REQ. N° REQ. N° REQ.	REMARKS REMARQUES NOTAS		
	51517	SHUTTER ASSEMBLY - INCLUDES ITEMS 1 TO 23					SHUTTER INSTALLATION				
1	24427	GRILLE FRAME ASSEMBLY	1		24	15774	TIE STRAP	3			
2	24428	THERMOSTAT COVER	1		25	9480 x 66	HOSE	1	740 thru 780A		
3	24429	CONNECTOR	2		26	9480 x 78	HOSE	1	740 thru 780A		
4	24431	BOLT - SPECIAL	2		27	9480 x 67	HOSE	1	710/710A		
5	24432	VANE ASSEMBLY	18		28	9480 x 74	HOSE	1	710/710A		
6	24433	BUSHING	54		29	9480 x 76	HOSE	1	720 thru 730A		
7	24434	BUSHING	2		30	9480 x 90	HOSE	1	720 thru 730A		
8	24435	DRIVE ROD	1		31	52885	GROMMET	2			
9	24436	SPRING	1		32	56139	PLATE	1			
10	24437	SPRING	1		33	56012	RADIATOR GRILLE FRAME	1			
11	24438	TIE BAR	1		34	22D-06	CLAMP	2			
	*24439	MANUAL CONTROL - C/W ITEMS 12 TO 17	1		35	100J-0604	ELBOW	2			
12	24440	KNOB	1		36	106D-0606	HOSE END	2			
13	24441	CAM	1		37	115B-0804	REDUCER	2	740 thru 780A		
14	24446	LATCH	1		38	115B-1208	REDUCER	1	740 thru 780A		
15	24447	FLATWASHER	1		39	50A-0508Zi	BOLT	6			
16	24448	FLATWASHER	1		40	30927 x 8	HOSE WRAP	2			
17	24450	RETAINING RING	1		41	50A-0506	BOLT	6			
18	24451	RETAINING RING	1		42	14A-05Zi	LOCKWASHER	16			
19	24455	GASKET	6		43	14C-05Zi	FLATWASHER	12			
20	51516	SEALED THERMOSTAT - 190°	1		44	30A-05Zi	NUT	10			
21	72E-1004	SET SCREW	1		45	56134	RADIATOR GRILLE FRAME	1	A.W.D.		
22	52L-1004	SCREW	3		46	56172	PLUG	1	A.W.D.		
23	14H-10	STARWASHER	3								

CHAMPION ROAD MACHINERY

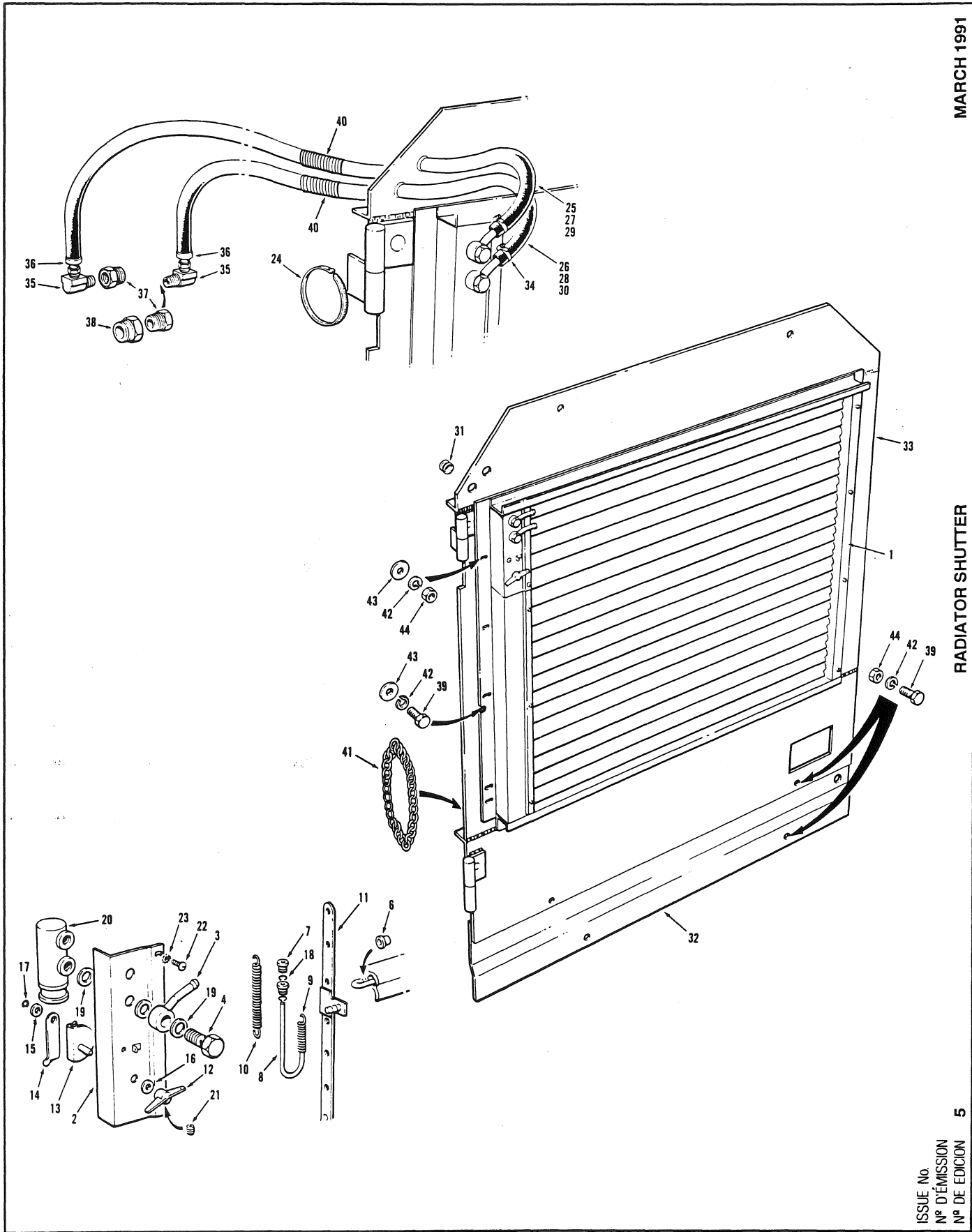
MARCH 1991

RADIATOR SHUTTER

FOR LIST OF PARTS - TURN THIS PAGE  
 POUR LA LISTE DES PIÈCES - VOIR AU VERSO  
 PARA LA LISTA DE LAS PIEZAS - VER AL VERSO

5

ISSUE No.  
 N° D'ÉMISSION  
 N° DE EDICION



EFFECTIVE SERIAL NUMBER(S) 21219 & 3UP  
 NUMERO(S) DE SÉRIE EFFECTIF(S)  
 NUMERO(S) DE SERIE EFECTIVO(S)

700 SERIES  
 SERIE 700

SECTION 8 PAGE 13  
 SECCION 8 PAGINA 13

SECTION SECCION		PAGE PAGINA		ISSUE No. N° D'ÉMISSION N° DE EDICION		RADIATOR SHUTTER				MARCH 1991	
No. N° N°	PART No. N° DE PIÈCE N° DE PIEZA	DESCRIPTION DÉSCRIPTION DESCRIPCION	No. REQ. N° REQ. N° REQ.	REMARKS REMARQUES NOTAS	No. N° N°	PART No. N° DE PIÈCE N° DE PIEZA	DESCRIPTION DÉSCRIPTION DESCRIPCION	No. REQ. N° REQ. N° REQ.	REMARKS REMARQUES NOTAS		
	<b>51517</b>	<b>SHUTTER ASSEMBLY</b> - INCLUDES ITEMS 1 to 23					<b>SHUTTER INSTALLATION</b>				
1	24427	GRILLE FRAME ASSEMBLY	1		24	15774	TIE STRAP	3			
2	24428	THERMOSTAT COVER	1		25	9480 x 66	HOSE	1	740 thru 780A		
3	24429	CONNECTOR	2		26	9480 x 78	HOSE	1	740 thru 780A		
4	24431	BOLT - SPECIAL	2		27	9480 x 67	HOSE	1	710/710A		
5	24432	VANE ASSEMBLY	18		28	9480 x 74	HOSE	1	710/710A		
6	24433	BUSHING	54		29	9480 x 76	HOSE	1	720 thru 730A		
7	24434	BUSHING	2		30	*9480 x 92	HOSE	1	720 thru 730A		
8	24435	DRIVE ROD	1		31	*57740	GROMMET	2			
9	24436	SPRING	1		32	*57034	PLATE	1			
10	24437	SPRING	1		33	*57741	RADIATOR GRILLE FRAME	1			
11	24438	TIE BAR	1		34	*22D-04	CLAMP	2			
	<b>24439</b>	<b>MANUAL CONTROL - C/W ITEMS 12 to 17</b>	1		35	100J-0604	ELBOW	2			
12	24440	KNOB	1		36	106D-0606	HOSE END	2			
13	24441	CAM	1		37	115B-0804	REDUCER	2	740 thru 780A		
14	24446	LATCH	1		38	115B-1208	REDUCER	1	740 thru 780A		
15	24447	FLATWASHER	1		39	50A-0508ZI	BOLT	6			
16	24448	FLATWASHER	1		40	30927 x 8	HOSE WRAP	2			
17	24450	RETAINING RING	1		41	*32612 x 15	CHAIN	1			
18	24451	RETAINING RING	1		42	14A-05ZI	LOCKWASHER	16			
19	24455	GASKET	6		43	14C-05ZI	FLATWASHER	12			
20	51516	SEALED THERMOSTAT - 190°	1		44	30A-05ZI	NUT	10			
21	72E-1004	SET SCREW	1								
22	52L-1004	SCREW	3								
23	14H-10	STARWASHER	3								



CHAMPION ROAD MACHINERY

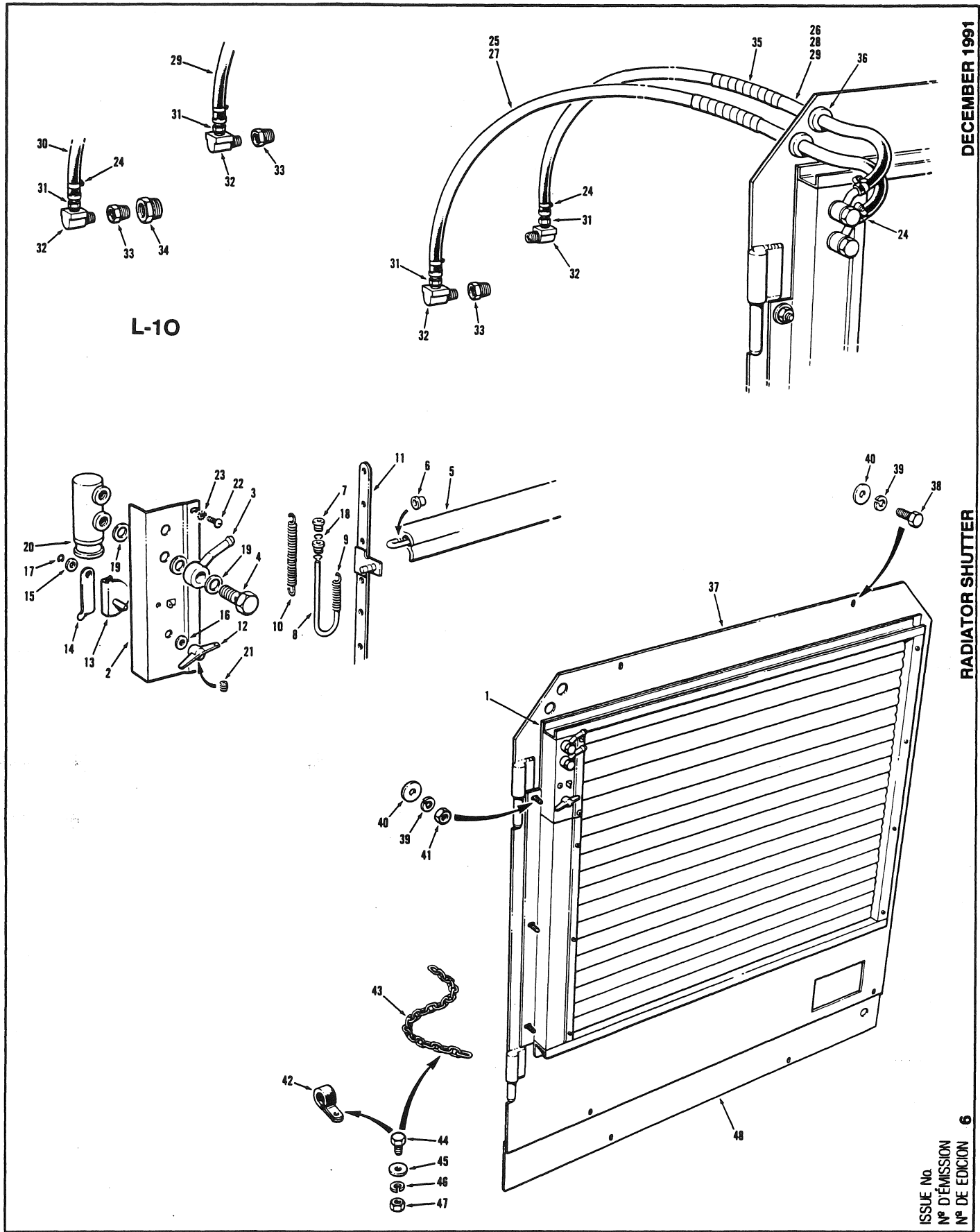
DECEMBER 1991

RADIATOR SHUTTER

FOR LIST OF PARTS - TURN THIS PAGE  
 POUR LA LISTE DES PIÈCES - VOIR AU VERSO  
 PARA LA LISTA DE LAS PIEZAS - VER AL VERSO

6

ISSUE No.  
 N° D'ÉMISSION  
 N° DE EDICION



L-10

EFFECTIVE SERIAL NUMBER(S) 21911 & UP  
 NUMERO(S) DE SÉRIE EFFECTIF(S)  
 NUMERO(S) DE SERIE EFECTIVO(S)

700 SERIES  
 SERIE 700

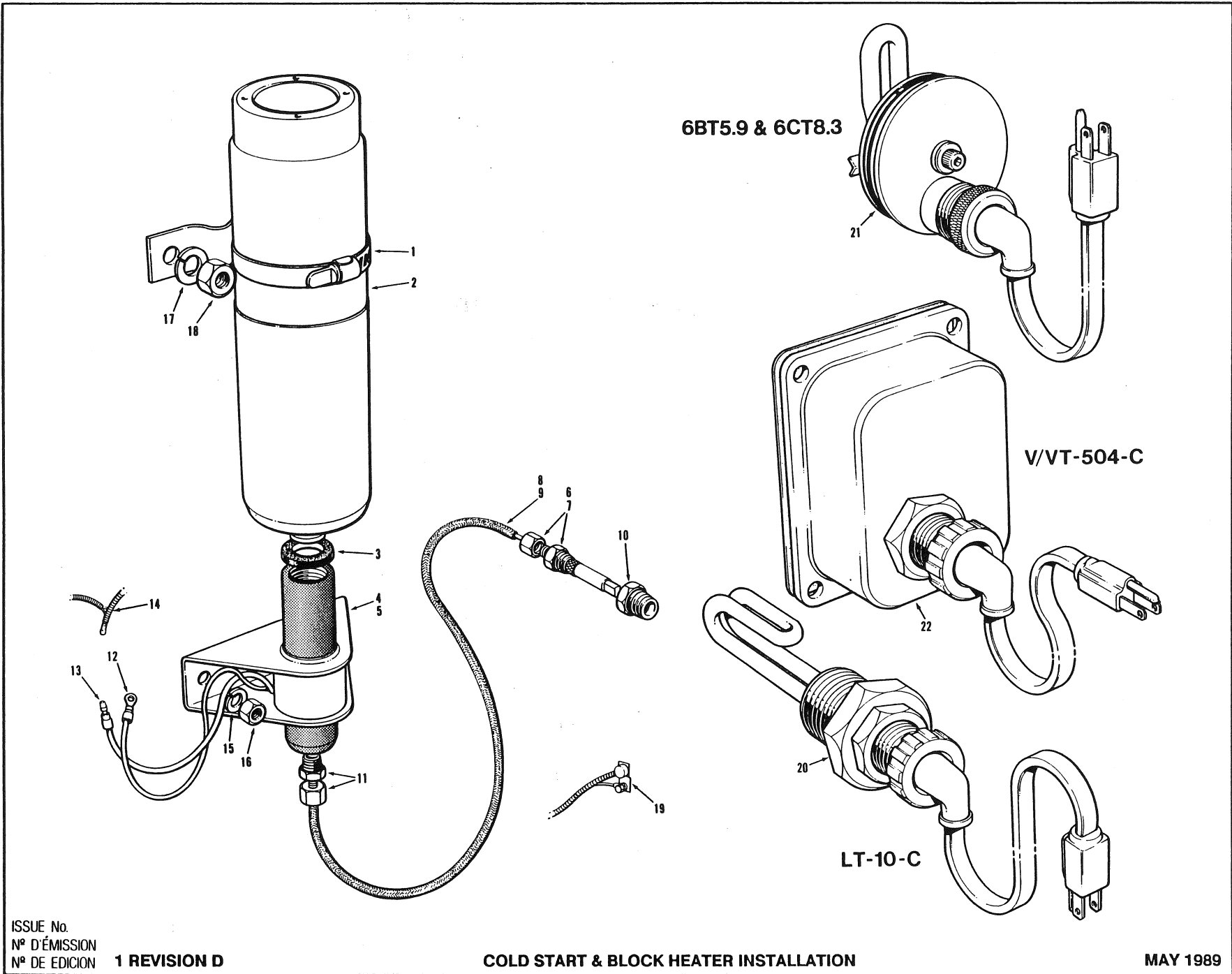
SECTION 8 PAGE 13  
 SECCION 8 PAGINA 13

SECTION SECCION		PAGE PAGINA		ISSUE No. N° D'ÉMISSION N° DE EDICION		RADIATOR SHUTTER			DECEMBER 1991	
No. N° N°	PART No. N° DE PIÈCE N° DE PIEZA	DESCRIPTION DESCRIPTION DESCRIPCION	No. REQ. N° REQ. N° REQ.	REMARKS REMARQUES NOTAS	No. N° N°	PART No. N° DE PIECE N° DE PIEZA	DESCRIPTION DESCRIPTION DESCRIPCION	No. REQ. N° REQ. N° REQ.	REMARKS REMARQUES NOTAS	
	<b>*65143</b>	<b>SHUTTER ASSEMBLY</b> - INCLUDES ITEMS 1 to 23			24	22D-04	CLAMP	4		
1	24427	SHUTTER FRAME ASSEMBLY	1		25	9480 x 67	HOSE	1	710/710A	
2	24428	THERMOSTAT COVER	1		26	9480 x 74	HOSE	1		
3	24429	CONNECTOR	2		27	9480 x 76	HOSE	1	720 thru 730A	
4	24431	BOLT - SPECIAL	2		28	9480 x 92	HOSE	1		
5	24432	VANE ASSEMBLY	18		29	9480 x 66	HOSE	1	740 thru 780A	
6	24433	BUSHING	54		30	9480 x 78	HOSE	1		
7	24434	BUSHING	2		31	106D-0606	HOSE END	2		
8	24435	DRIVE ROD	1		32	100J-0604	ELBOW	2		
9	24436	SPRING	1		33	115B-0804	REDUCER	1	710/710A	
10	24437	SPRING	1		34	115B-1208	REDUCER	2	740 thru 780A	
11	24438	TIE BAR	1		35	30927 x 8	HOSE WRAP	2	740 thru 780A	
	<b>24439</b>	<b>MANUAL CONTROL - C/W ITEMS 12 to 17</b>	1		36	57740	GROMMET	2		
12	24440	KNOB	1		37	*65681	RADIATOR GRILLE FRAME	1		
13	24441	CAM	1		38	50A-0508ZI	BOLT	6		
14	24448	LATCH	1		39	14A-05ZI	LOCKWASHER	12		
15	24447	FLATWASHER	1		40	14C-05ZI	FLATWASHER	12		
16	24448	FLATWASHER	1		41	30A-05ZI	NUT	6		
17	24450	RETAINING RING	1		42	*32316	CLAMP	4		
18	24451	RETAINING RING	1		43	*65675 x 20.75	CHAIN	1		
19	24455	GASKET	6		44	*50A-0406ZI	BOLT	4		
20	*65781	SEALED THERMOSTAT - 190°	1		45	*14A-04ZI	LOCKWASHER	4		
21	72E-1004	SET SCREW	1		46	*14C-04ZI	FLATWASHER	5		
22	52L-1004	SCREW	3		47	*30A-04ZI	NUT	5		
23	14H-10	STARWASHER	3		48		PLATE	REF.	Sect 8 Pg 1	

EFFECTIVE SERIAL NUMBERS) 16224, 16245 & UP  
NUMEROS) DE SERIE EFFECTIFS)   
NUMEROS) DE SERIE EFFECTIVOS)   
U.S. 2021-2 & UP

700 SERIES  
SERIE 700

SECTION 8 PAGE 15  
SECCION 8 PAGINA 15



ISSUE No.  
Nº D'ÉMISSION  
Nº DE EDICION

1 REVISION D

COLD START & BLOCK HEATER INSTALLATION

MAY 1989

FOR LIST OF PARTS - TURN THIS PAGE

POUR LA LISTE DES PIÈCES - VOIR AU VERSO

PARA LA LISTA DE LAS PIEZAS - VFR AL VERSO

USE ONLY CHAMPION APPROVED PARTS

SECTION SECCION 8		PAGE PAGINA 16		ISSUE No. N° D'ÉMISSION 1 REVISION D N° DE EDICION		COLD START & BLOCK HEATER INSTALLATION			MAY 1989	
No. N° N°	PART No. N° DE PIÈCE N° DE PIEZA	DESCRIPTION DÉSCRIPTION DESCRIPCION	No. REQ. N° REQ. N° REQ.	REMARKS REMARQUES NOTAS	No. N° N°	PART No. N° DE PIECE N° DE PIEZA	DESCRIPTION DÉSCRIPTION DESCRIPCION	No. REQ. N° REQ. N° REQ.	REMARKS REMARQUES NOTAS	
	34532	COLD START KIT - INCLUDES ITEMS 1,2,5 & 6	1	6BT5.9 6CT8.3						
	40421	COLD START KIT - INCLUDES ITEMS 1,2,4 & 7	1	LT-10-C & V/VT-504-C						
1	16865	CLAMP	1							
2	16910	CYLINDER	1							
3	32406	GASKET	1							
4	34538	VALVE	1	LT-10-C & V/T-504-C						
5	34540	VALVE	1	6BT5.9 6CT8.3						
6	34543	ATOMIZER	1	6BT5.9 6CT8.3						
7	37156	ATOMIZER	1	LT-10-C & V/VT-504-C						
8	*15320 X 36	TUBING	1	LT-10-C						
	15320 X 48	TUBING	1	6BT5.9 6CT8.3						
9	*17536 X 36	CONDUIT	1	LT-10-C						
	17536 X 48	CONDUIT	1	6BT5.9 6CT8.3						
10	115B-0402	REDUCER	1	6CT8.3 V/VT-504-C						
11	120B-0202	CONNECTOR	1							
12	130B-04	TERMINAL	1							
13	134B-180	CONNECTOR	1							
14	*135B-21	CONNECTOR	1							
15	14A-04	LOCKWASHER	4							
16	30A-04	NUT	4							
17	14A-06	LOCKWASHER	2							
18	30A-06	NUT	2							
19	*19643	THERMO - GUARD	1							
<u>BLOCK HEATER INSTALLATION</u>										
20	36808	IMMERSION HEATER	A.R.	LT-10-C						
21	40524	IMMERSION HEATER	A.R.	6BT5.9 6CT8.3						
22	40595	IMMERSION HEATER	A.R.	V/VT-504-C						

CHAMPION ROAD MACHINERY

MAY 1991

COLD START & BLOCK HEATER INSTALLATION

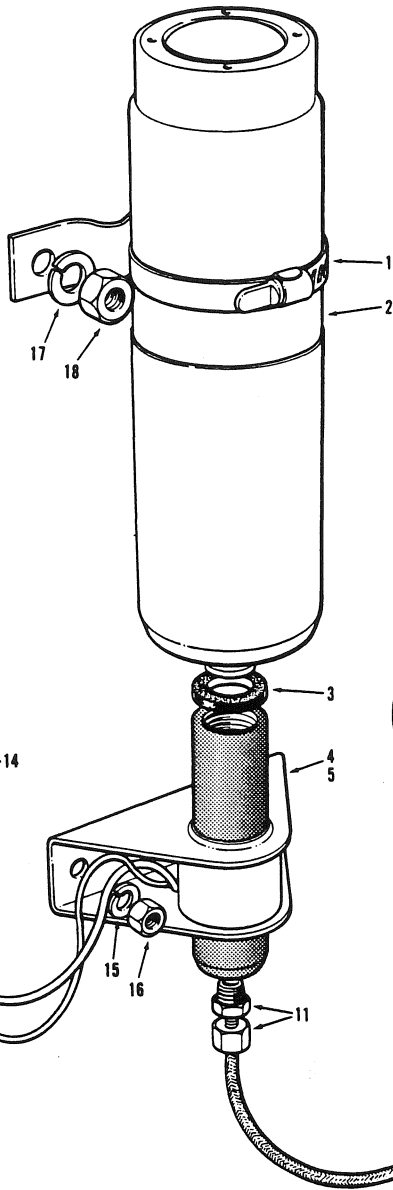
PARA LA LISTA DE LAS PIEZAS - VER AL VERSO

POUR LA LISTE DES PIÈCES - VOIR AU VERSO

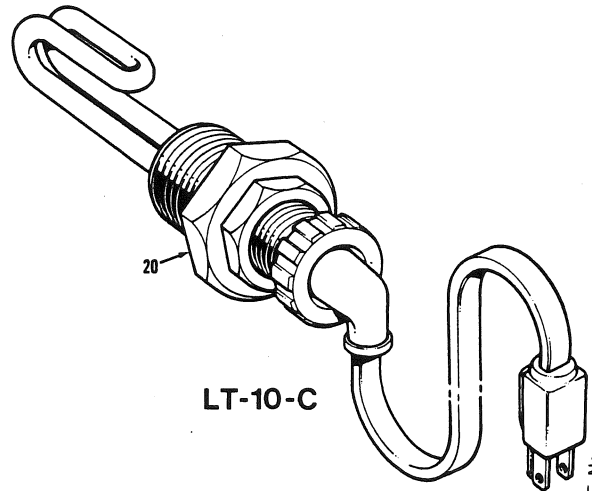
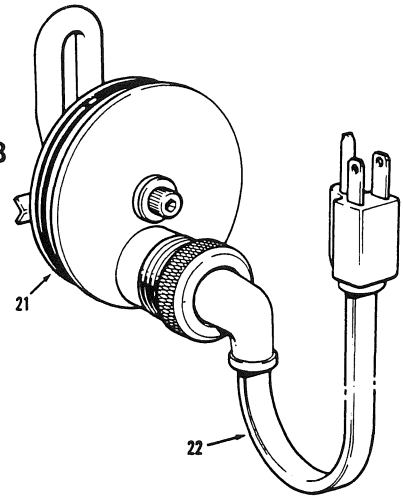
FOR LIST OF PARTS - TURN THIS PAGE

2

ISSUE No.  
N° D'ÉMISSION  
N° DE EDICION



6BT5.9 & 6CT8.3



LT-10-C

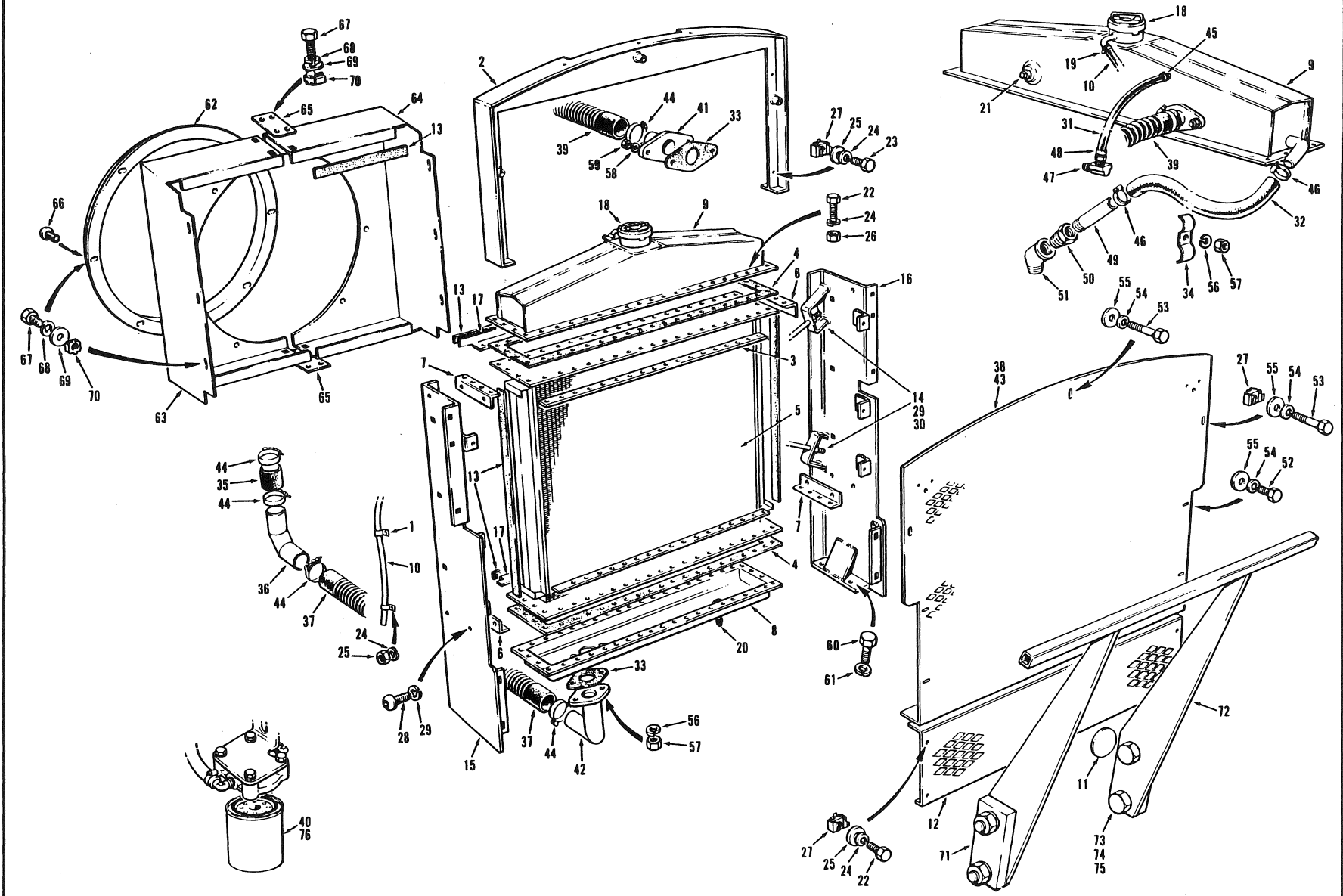
EFFECTIVE SERIAL NUMBER(S) 21165 & UP  
 NUMERO(S) DE SÉRIE EFFECTIF(S) EXCLUDING 21176  
 NUMERO(S) DE SERIE EFECTIVO(S)

700 SERIES  
 SERIE 700

SECTION 8 PAGE 15  
 SECCION 8 PAGINA 15

SECTION SECCION		8	PAGE PAGINA	16	ISSUE No. N° D'ÉMISSION N° DE EDICION	2	COLD START & BLOCK HEATER INSTALLATION			MAY 1991
No. N° N°	PART No. N° DE PIÈCE N° DE PIEZA	DESCRIPTION DÉSCRIPTION DESCRIPCION	No. REQ. N° REQ. N° REQ.	REMARKS REMARQUES NOTAS	No. N° N°	PART No. N° DE PIECE N° DE PIEZA	DESCRIPTION DÉSCRIPTION DESCRIPCION	No. REQ. N° REQ. N° REQ.	REMARKS REMARQUES NOTAS	
	34532	COLD START KIT - INCLUDES ITEMS 1, 2, 5 & 6	1	710 thru 730A						
	40421	COLD START KIT - INCLUDES ITEMS 1, 2, 4 & 7	1	740 thru 780A						
1	16865	CLAMP	1							
2	16910	CYLINDER	1							
3	32406	GASKET	1							
4	34538	VALVE	1	740 thru 780A						
5	34540	VALVE	1	710 thru 730A						
6	34543	ATOMIZER	1	710 thru 730A						
7	37156	ATOMIZER	1	740 thru 780A						
8	15320 x 36	TUBE	1	740 thru 780A						
	15320 x 48	TUBE	1	710 thru 730A						
9	17536 x 36	CONDUIT	1	740 thru 780A						
	17536 x 48	CONDUIT	1	710 thru 730A						
10	115B-0402	REDUCER	1	730/730A						
11	120B-0202	CONNECTOR	1							
12	130B-04	TERMINAL	1							
13	134B-180	CONNECTOR	1							
14	135B-21	CONNECTOR	1							
15	14A-04	LOCKWASHER	4							
16	30A-04	NUT	4							
17	14A-06	LOCKWASHER	2							
18	30A-06	NUT	2							
19	19643	THERMO - GUARD	1							
		<b><u>BLOCK HEATER INSTALLATION</u></b>								
20	36808	IMMERSION HEATER	1	740 thru 780A						
21	*57563	IMMERSION HEATER	1	710 thru 730A						
22	*57564	CORD	1							

CHAMPION ROAD MACHINERY



EFFECTIVE SERIAL NUMBERS) 16224, 16245 TO 16795  
 NUMEROS) DE SÉRIE EFFECTIFS)  
 NUMEROS) DE SERIE EFECTIVOS)  
 U.S. 2021-2 TO 2460-2

700 SERIES  
 SERIE 700

SECTION 8 PAGE 17  
 SECCION 8 PAGINA 17

ISSUE No.  
 N° D'ÉMISSION  
 N° DE EDICION 1 REVISION A

RADIATOR INSTALLATION - MODEL 740 THRU 760A

APRIL 1987

FOR LIST OF PARTS - TURN THIS PAGE

POUR LA LISTE DES PIÈCES - VOIR AU VERSO

PARA LA LISTA DE LAS PIEZAS - VER AL VERSO

USE ONLY CHAMPION APPROVED PARTS

SECTION SECCION 8		PAGE PAGINA 18		ISSUE No. N° D'ÉMISSION 1 REVISION A N° DE EDICION		RADIATOR INSTALLATION - MODELS 740 THRU 760A			APRIL 1987	
No. N° N°	PART No. N° DE PIÉCE N° DE PIEZA	DESCRIPTION DÉSCRIPTION DESCRIPCION	No. REQ N° REQ. N° REQ.	REMARKS REMARQUES NOTAS	No. N° N°	PART No. N° DE PIÉCE N° DE PIEZA	DESCRIPTION DÉSCRIPTION DESCRIPCION	No. REQ N° REQ. N° REQ.	REMARKS REMARQUES NOTAS	
	40038	RADIATOR ASSEMBLY - INCLUDES ITEMS 1 TO 30	1		44	22A-256	CLAMP	6		
1	1776	CLAMP	1		45	22B-08	CLAMP	2		
2	12331	HOOD SUPPORT	1		46	22B-16	CLAMP	2		
3	17636	BAR	2		47	100J-0606	CONNECTOR	1		
4	17664	GASKET	2		48	106D-0606	CONNECTOR	1		
5	23350	CORE - 6 ROW	1		49	115AA-1205	NIPPLE	1		
6	26120	ANGLE - UPPER R.H. & LOWER L.H.	2		50	115B-1612	REDUCER	1		
7	26121	ANGLE - LOWER R.H. & UPPER L.H.	2		51	115H-16	ELBOW	1		
8	27013	TANK - LOWER	1		52	50A-0508z1	BOLT	4		
9	27427	TANK - TOP	1		53	50A-0516z1	BOLT	3		
10	27429 X 35	HOSE	1		54	14A-05z1	LOCKWASHER	7		
11	28030	PLUG	1		55	14C-05z1	FLATWASHER	7		
12	28033	COVER	1		56	14A-06	LOCKWASHER	1		
13	28344	TAPE - SEALANT	A.R.		57	30A-06	NUT	1		
14	35559	ROD	2		58	14A-07	LOCKWASHER	2		
15	40039	SIDE - L.H.	1		59	30A-07	NUT	2		
16	40040	SIDE - R.H.	1		60	50A-0808	BOLT	4		
17	40041	ANGLE	2		61	14A-08	LOCKWASHER	4		
18	40827	RADIATOR CAP	1		<u>FAN SHROUD INSTALLATION</u>					
19	22B-08	CLAMP	1		62	33407	RING	1		
20	115E-04	PLUG - LOWER	1		63	40043	SHROUD - L.H.	1		
21	115E-12	PLUG - UPPER	1		64	40044	SHROUD - R.H.	1		
22	50A-0508z1	BOLT	100		65	40045	COUPLING	2		
23	50A-0516z1	BOLT	3		66	50F-0606	BOLT	1		
24	14A-05z1	LOCKWASHER	A.R.		67	50A-0606	BOLT	A.R.		
25	14C-05z1	FLATWASHER	A.R.		68	14A-06	LOCKWASHER	A.R.		
26	30A-05z1	NUT	A.R.		69	14C-06	FLATWASHER	A.R.		
27	38A-05z1	CAGE NUT	A.R.		70	38A-0602	CAGE NUT	A.R.		
28	50F-0608	CAPSCREW	8		<u>RADIATOR GUARD INSTALLATION</u>					
29	14A-06	LOCKWASHER	12		71	12984	LUG	2		
30	30A-06	NUT	4		72	35239	GUARD	1		
		<u>RADIATOR INSTALLATION</u>			73	50A-2036	BOLT	4		
31	9840 X 56	HOSE	1		74	14A-20	LOCKWASHER	4		
32	19857 X 49	HOSE	1		75	30A-20	NUT	4		
33	24297	GASKET	1		76	*34654	COOLANT PRECHARGE FILTER - SHOULD BE USED ONLY WHERE THE COOLING SYSTEM HAS BEEN FLUSHED AND FILLED WITH NEW COOLANT.	1		
34	24787	CLAMP	1		<u>OPTIONAL</u>					
35	27602 X 3	HOSE	1							
36	27651	TUBE	1							
37	27652 X 24	HOSE - LOWER	1							
38	28034	GRILLE	1							
39	32717 X 34	HOSE - UPPER	1							
40	*45674	COOLANT CONDITIONING FILTER	1							
41	34917	FITTING - UPPER	1							
42	40798	FITTING - LOWER	1							
43	40877	GRILLE	1							
				SERIAL NO. 16472 & UP U.S. 2254-2 & UP						

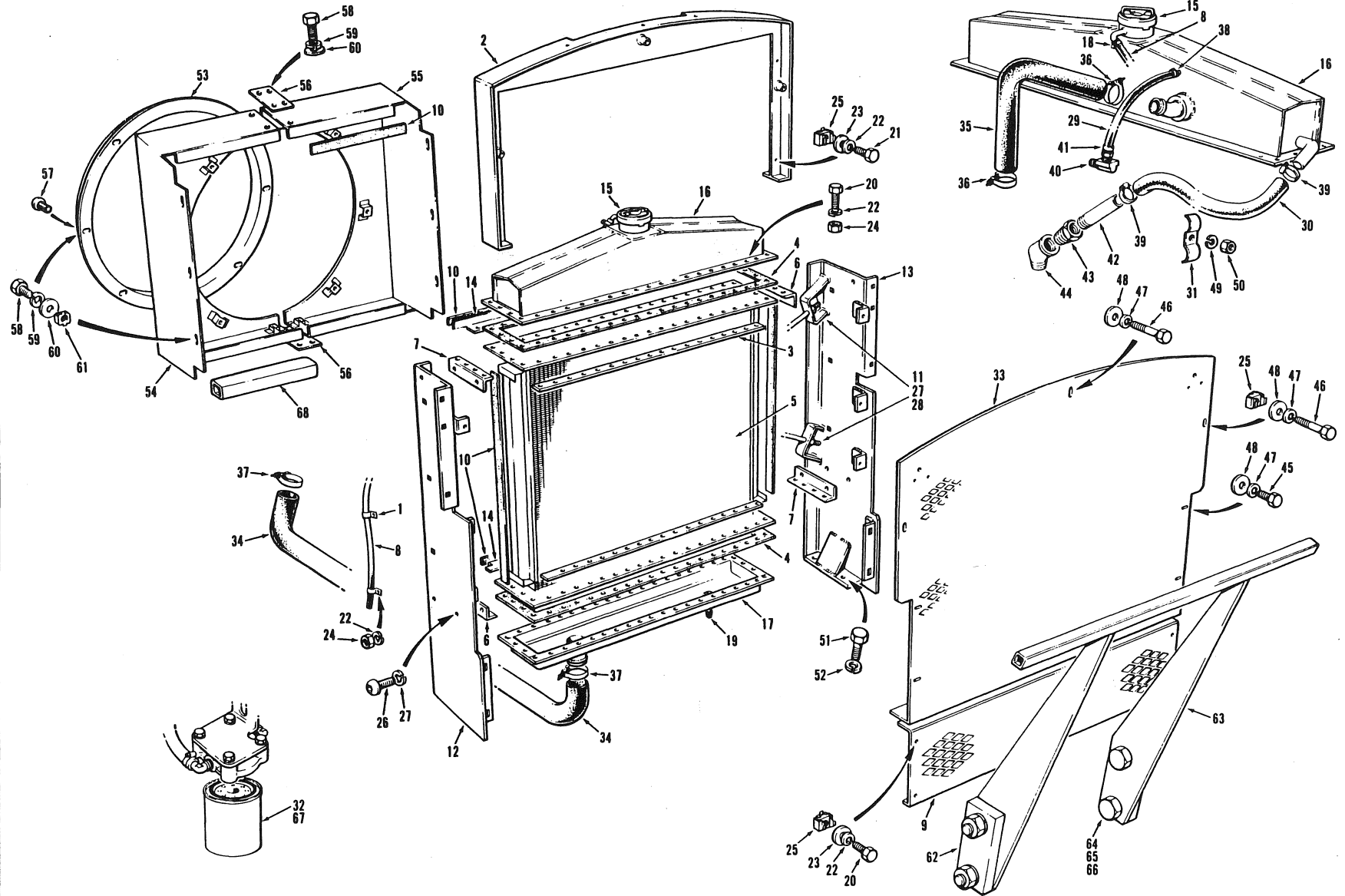


EFFECTIVE SERIAL NUMBER(S)  
NUMEROS (S) DE SERIE EFFECTIFS (S)  
U.S. 2461-2 & UP

16798 & UP

700 SERIES  
SERIE 700

SECTION 8 PAGE  
SECCION 8 PAGINA 17



ISSUE No.  
N° D'ÉMISSION  
N° DE EDICION

2 REVISION B

RADIATOR INSTALLATION - MODELS 740 THRU 780A

MAY 1989

FOR LIST OF PARTS - TURN THIS PAGE

POUR LA LISTE DES PIÈCES - VOIR AU VERSO

PARA LA LISTA DE LAS PIEZAS - VER AL VERSO

USE ONLY CHAMPION ROAD MACHINERY APPROVED PARTS

SECTION SECCION	8	PAGE PAGINA	18	ISSUE No. N° D'ÉMISSION N° DE EDICION	2 REVISION B	RADIATOR INSTALLATION - MODELS 740 THRU 780A			MAY 1989
No. N° N°	PART No. N° DE PIÈCE N° DE PIEZA	DESCRIPTION DÉSCRIPTION DESCRIPCION	No. REQ. N° REQ. N° REQ.	REMARKS REMARQUES NOTAS	No. N° N°	PART No. N° DE PIECE N° DE PIEZA	DESCRIPTION DÉSCRIPTION DESCRIPCION	No. REQ. N° REQ. N° REQ.	REMARKS REMARQUES NOTAS
<u>RADIATOR ASSEMBLY</u>									
1	1776	CLIP	2		44	115H-16	ELBOW	1	
2	12331	HOOD SUPPORT	1		45	50A-0508z1	BOLT	4	
3	17636	BAR	2		46	50A-0516z1	BOLT	3	
4	17664	GASKET	2		47	14A-05z1	LOCKWASHER	7	
5	*51172	CORE - 5 ROW	1	S/N 19588 & UP UP TO S/N 19587	48	14C-05z1	FLATWASHER	7	
	23350	CORE - 6 ROW	1		49	14A-06	LOCKWASHER	3	
					50	30A-06	NUT	3	
					51	50A-0808	BOLT	4	
6	26120	ANGLE - UPPER R.H. & LOWER L.H.	2		52	14A-08	LOCKWASHER	4	
7	26121	ANGLE - UPPER L.H. & LOWER R.H.	2		<u>FAN SHROUD INSTALLATION</u>				
8	27429 X 35	HOSE	1						
9	43539	COVER	1		53	33407	RING	1	
10	28344	TAPE SEALANT - 27.5 INCHES LONG	1		54	40043	SHROUD - L.H.	1	
11	35559	STABILIZER ROD	2		55	40044	SHROUD - R.H.	1	
12	40039	SIDE MEMBER - L.H.	1		56	40045	COUPLING STRIP	2	
13	40040	SIDE MEMBER - R.H.	1						
14	40041	ANGLE	2		57	50F-0606	BOLT	6	
15	40827	RADIATOR CAP	1		58	50A-0608	BOLT	14	
16	41734	TANK - TOP	1		59	14A-06	LOCKWASHER	14	
17	41735	TANK - LOWER	1		60	14C-06	FLATWASHER	14	
18	22B-06	CLAMP	1		61	38A-0602	CAGE NUT	6	
19	115E-04	PLUG	1		<u>RADIATOR GUARD INSTALLATION</u>				
20	50A-0506z1	BOLT	88						OPTIONAL
21	50A-0508z1	BOLT	4						
22	14A-05z1	LOCKWASHER	94		62	12984	LUG	2	
23	14C-05z1	FLATWASHER	5		63	35239	GUARD	1	
24	30A-05z1	NUT	72		64	50A-2036	BOLT	4	
25	38A-0503z1	CAGE NUT	4		65	14A-20	LOCKWASHER	4	
26	50F-0608	CAPSCREW	8		66	30A-20	NUT	4	
27	14A-06	LOCKWASHER	8						
28	30A-06	NUT	4		67	34654	COOLANT PRECHARGE FILTER - SHOULD BE USED WHERE THE COOLING SYSTEM HAS BEEN FLUSHED AND FILLED WITH NEW COOLANT.	1	
<u>RADIATOR INSTALLATION</u>									
29	9480X42	HOSE	1						
30	19857X45	HOSE	1						
31	24787	CLAMP	1						
32	45674	COOLANT CONDITIONING FILTER	1						
33	40877	GRILLE	1		68	44847	FILLER TUBE	4	OPTIONAL
34	41706	HOSE - LOWER	1						
35	41707	HOSE - UPPER	1						
36	22A-256	CLAMP	2						
37	22A-294	CLAMP	2						
38	22B-06	CLAMP	1						
39	22B-16	CLAMP	2						
40	100J-0606	CONNECTOR	1						
41	106A-0602	CONNECTOR	1						
42	115AA-1205	NIPPLE	1						
43	115B-1612	REDUCER	1						