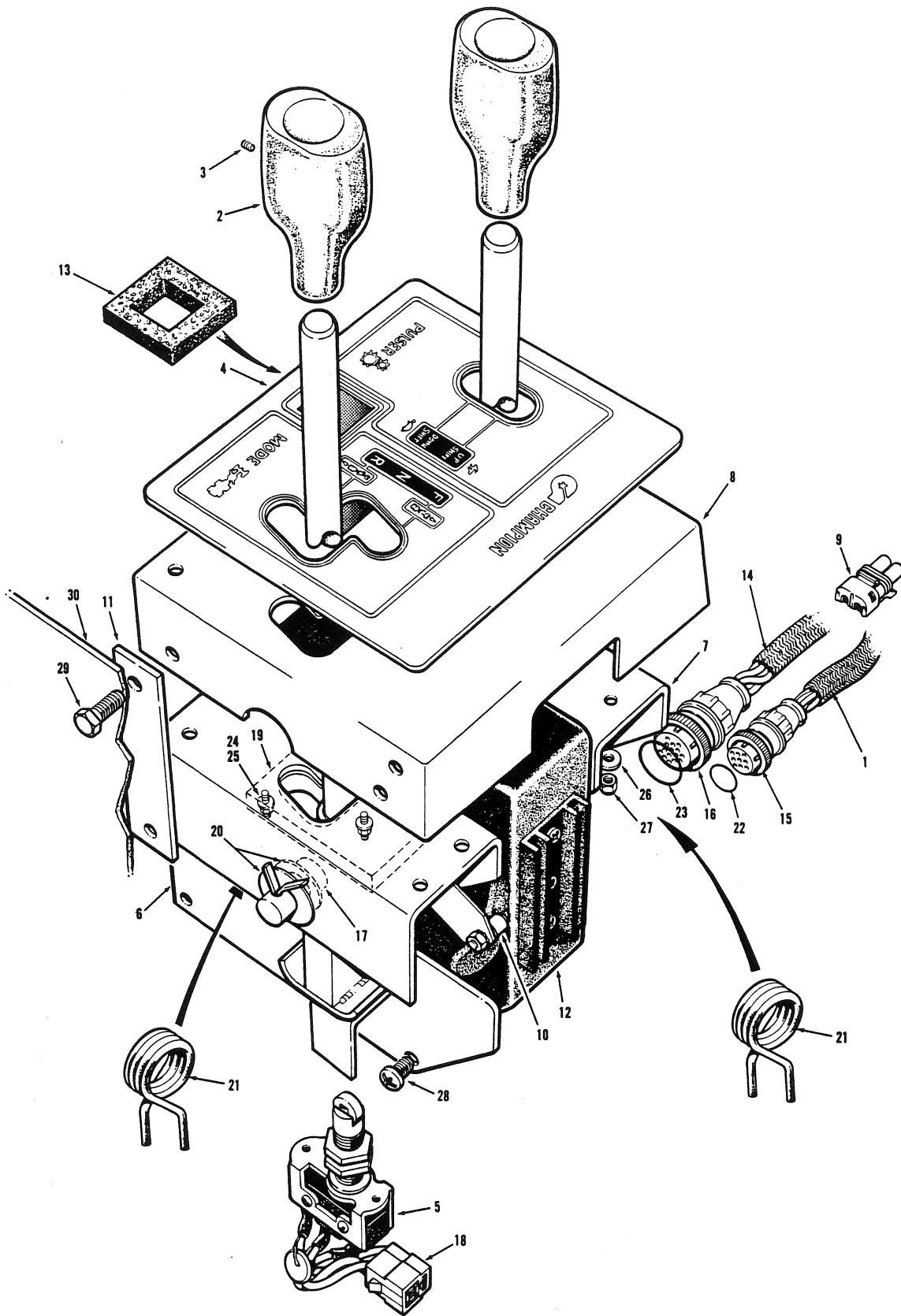


EFFECTIVE SERIAL NUMBER(S) 16224, 16245 & UP
 NUMERO(S) DE SÉRIE EFFECTIF(S)
 NUMERO(S) DE SERIE EFECTIVO(S)
 U.S. 2021-2 & UP

700 SERIES
 SERIE 700

SECTION 6 PAGE 1
 SECCION 6 PAGINA 1

SECTION SECCION		PAGE PAGINA		ISSUE No. N° D'ÉMISSION N° DE EDICION		1 REVISION F		TRANSMISSION CONTROLS ASSEMBLY			JUNE, 1987	
No. N° N°	PART No. N° DE PIÈCE N° DE PIEZA	DESCRIPTION DÉSCRIPTION DESCRIPCION	No. REQ. N° REQ. N° REQ.	REMARKS REMARQUES NOTAS	No. N° N°	PART No. N° DE PIECE N° DE PIEZA	DESCRIPTION DÉSCRIPTION DESCRIPCION	No. REQ. N° REQ. N° REQ.	REMARKS REMARQUES NOTAS			
	37275	TRANSMISSION CONTROLS ASSY. - INCLUDES ITEMS 2 TO 13, 17 TO 21 & 24 TO 29	1									
1	29756	WIRING HARNESS - TRANSMISSION	1									
2	36956	KNOB	2									
3	36957	SET SCREW	2									
4	36958	DECAL	1									
5	36959	SWITCH	1									
6	36960	MODE LEVER	1									
7	36961	PULSER LEVER	1									
8	36963	MOUNTING PLATE	1									
9	36966	CONNECTOR	6									
10	36967	MAGNET	2									
11	37045	BRACKET	2									
12	37274	ELECTRONIC CONTROLLER	1									
13	37377	GASKET	1									
14	37601	WIRING HARNESS - MAIN SUPPLY	1									
15	*37907	SMALL LOCK RING	1	REPAIR PART								
16	*37908	LARGE LOCK RING	1	REPAIR PART								
17	41861	BUSHING	4									
18	41933	VARISTOR ASSEMBLY	1									
19	41947	WEAR PLATE	1									
20	43856	CURVED SPRING	7									
21	44222	SPRING	2									
22	44378	SEAL	1									
23	44379	SEAL	1									
24	14G-06	FLATWASHER	6									
25	34B-06	LOCKNUT	6									
26	14G-10	FLATWASHER	6									
27	35B-10	LOCKNUT	6									
28	61F-1006	SCREW	4									
29	50A-0404	BOLT	4									
30		INSTRUMENT BOX	REF.	SECTION 10 PAGE 2								



OCTOBER 1989

TRANSMISSION CONTROLS ASSEMBLY

FOR LIST OF PARTS - TURN THIS PAGE PARA LA LISTA DE LAS PIEZAS - VOIR AU VERSO

ISSUE No.
N° D'ÉMISSION
N° DE EDICION 2

EFFECTIVE SERIAL NUMBER(S)
NUMERO(S) DE SÉRIE EFFECTIF(S)
NUMERO(S) DE SERIE EFECTIVO(S)

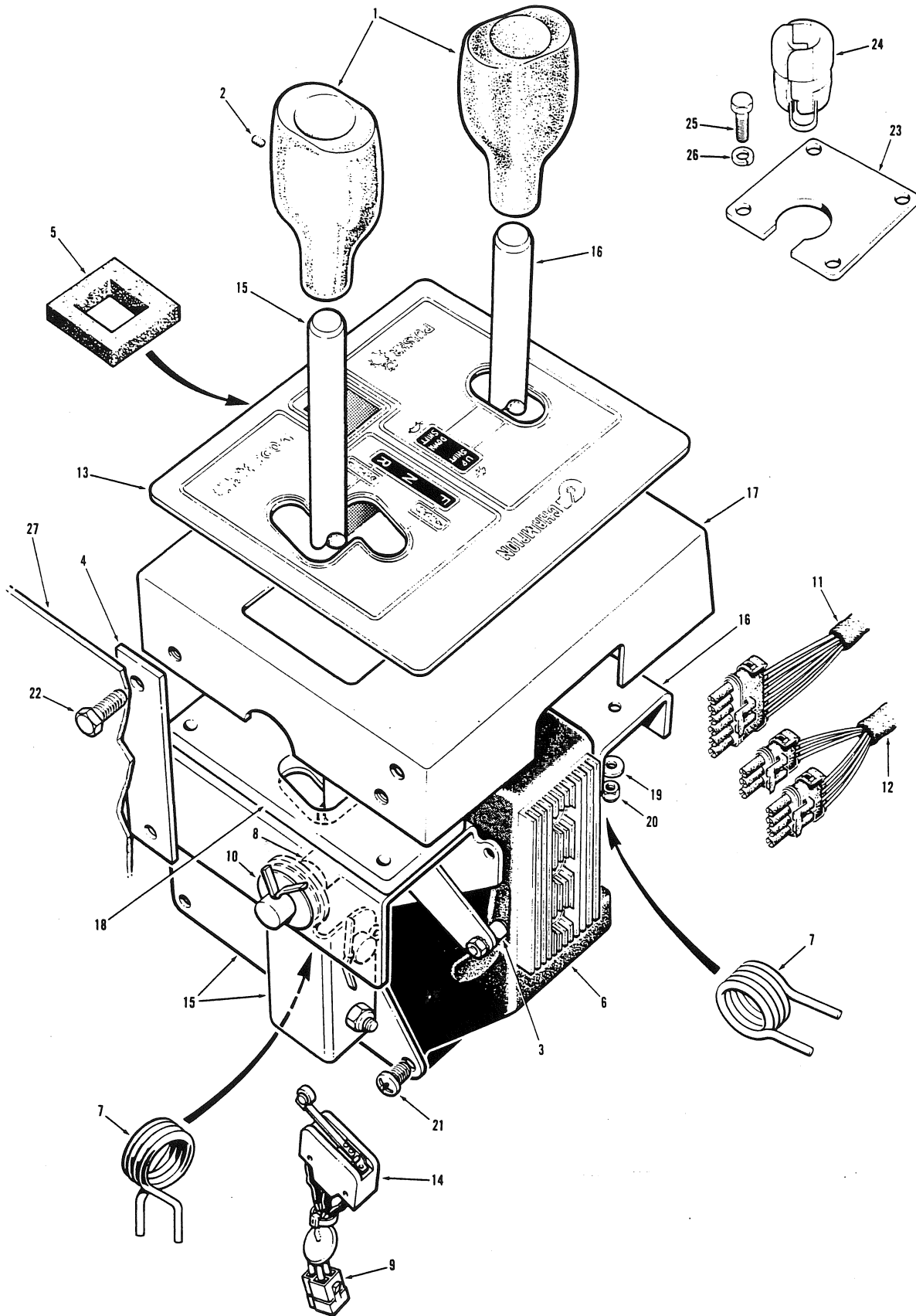
19091 & UP

700 SERIES
SERIE 700

SECTION 6 PAGE 1
SECCION 6 PAGINA 1

SECTION SECCION		PAGE PAGINA		ISSUE No. N° D'ÉMISSION N° DE EDICION		TRANSMISSION CONTROLS ASSEMBLY			OCTOBER 1989	
No. N° N°	PART No. N° DE PIÈCE N° DE PIEZA	DESCRIPTION DÉSCRIPTION DESCRIPCION	No. REQ. N° REQ. N° REQ.	REMARKS REMARQUES NOTAS	No. N° N°	PART No. N° DE PIECE N° DE PIEZA	DESCRIPTION DÉSCRIPTION DESCRIPCION	No. REQ. N° REQ. N° REQ.	REMARKS REMARQUES NOTAS	
	*38048	TRANSMISSION CONTROLS ASSEMBLY - INCLUDES ITEMS 2 TO 13, 17 TO 21 & 24 TO 29	1							
1	29756	WIRING HARNESS - TRANSMISSION	1							
2	36956	KNOB	2							
3	36957	SET SCREW	2							
4	36958	DECAL	1							
5	36959	SWITCH	1							
6	36960	MODE LEVER	1							
7	36961	PULSER LEVER	1							
8	36963	MOUNTING PLATE	1							
9	36966	CONNECTOR	6							
10	36967	MAGNET	2							
11	37045	BRACKET	2							
12	*38049	ELECTRONIC CONTROLLER	1							
13	37377	GASKET	1							
14	*51157	WIRING HARNESS - MAIN SUPPLY	1							
15	37907	SMALL LOCK RING	1	REPAIR PART						
16	37908	LARGE LOCK RING	1	REPAIR PART						
17	41861	BUSHING	4							
18	41933	VARISTOR ASSEMBLY	1							
19	41947	WEAR PLATE	1							
20	43856	CURVED SPRING	7							
21	44222	SPRING	2							
22	44378	SEAL	1							
23	44379	SEAL	1							
24	14G-06	FLATWASHER	6							
25	34B-06	LOCKNUT	6							
26	14G-10	FLATWASHER	6							
27	35B-10	LOCKNUT	6							
28	61F-1006	SCREW	4							
29	50A-0404	BOLT	4							
30		INSTRUMENT BOX	REF.	SECTION 10 PAGE 2						

No. N° N°	PART No. N° DE PIÈCE N° DE PIEZA	DESCRIPTION DÉSCRIPTION DESCRIPCION	No. REQ. N° REQ. N° REQ.	REMARKS REMARQUES NOTAS	No. N° N°	PART No. N° DE PIECE N° DE PIEZA	DESCRIPTION DÉSCRIPTION DESCRIPCION	No. REQ. N° REQ. N° REQ.	REMARKS REMARQUES NOTAS
	54672	TRANSMISSION CONTROLS ASSEMBLY - INCLUDES ITEMS 1 to 6, 9 to 13 & 18 to 27	1						
1	36956	KNOB	2						
2	36957	SET SCREW	2						
3	36966	CONNECTOR	6						
4	36987	MAGNET	2						
5	37045	BRACKET	2						
6	37377	GASKET	1						
7	37907	SMALL LOCK RING	1						
8	37908	LARGE LOCK RING	1						
9	38049	ELECTRONIC CONTROLLER	1						
10	38290	SPRING	2						
11	41861	BUSHING	4						
12	41933	VARISTOR ASSEMBLY	1						
13	43856	CURVED SPRING	5						
14	44378	SEAL	1						
15	44379	SEAL	1						
16	54257	WIRING HARNESS - MAIN SUPPLY	1						
17	54258	WIRING HARNESS - TRANSMISSION	1						
18	55315	DECAL	1						
19	55316	SWITCH	1						
20	55317	MODE LEVER ASSEMBLY - INCLUDES ITEMS 10, 11, 13 & 19	1						
21	55318	PULSER LEVER ASSEMBLY - INCLUDES ITEMS 10, 11 & 13	1						
22	55319	MOUNTING PLATE	1						
23	55320	WEAR PLATE	1						
24	14G-10	FLATWASHER	6						
25	35B-10	LOCKNUT	8						
26	61F-1006	SCREW	4						
27	50A-0404	BOLT	4						
28	*63040	HARNESS END - C/W ITEM 8	1						
29	*63041	HARNESS END - C/W ITEM 7	1						
30		INSTRUMENT BOX	Ref.	Sect 10 Pg 2					



JANUARY 1992

TRANSMISSION CONTROLS ASSEMBLY - 12 VOLT

4 REVISION B

FOR LIST OF PARTS - TURN THIS PAGE. PARA LA LISTA DE LAS PIEZAS - VÉR AL VERSO.

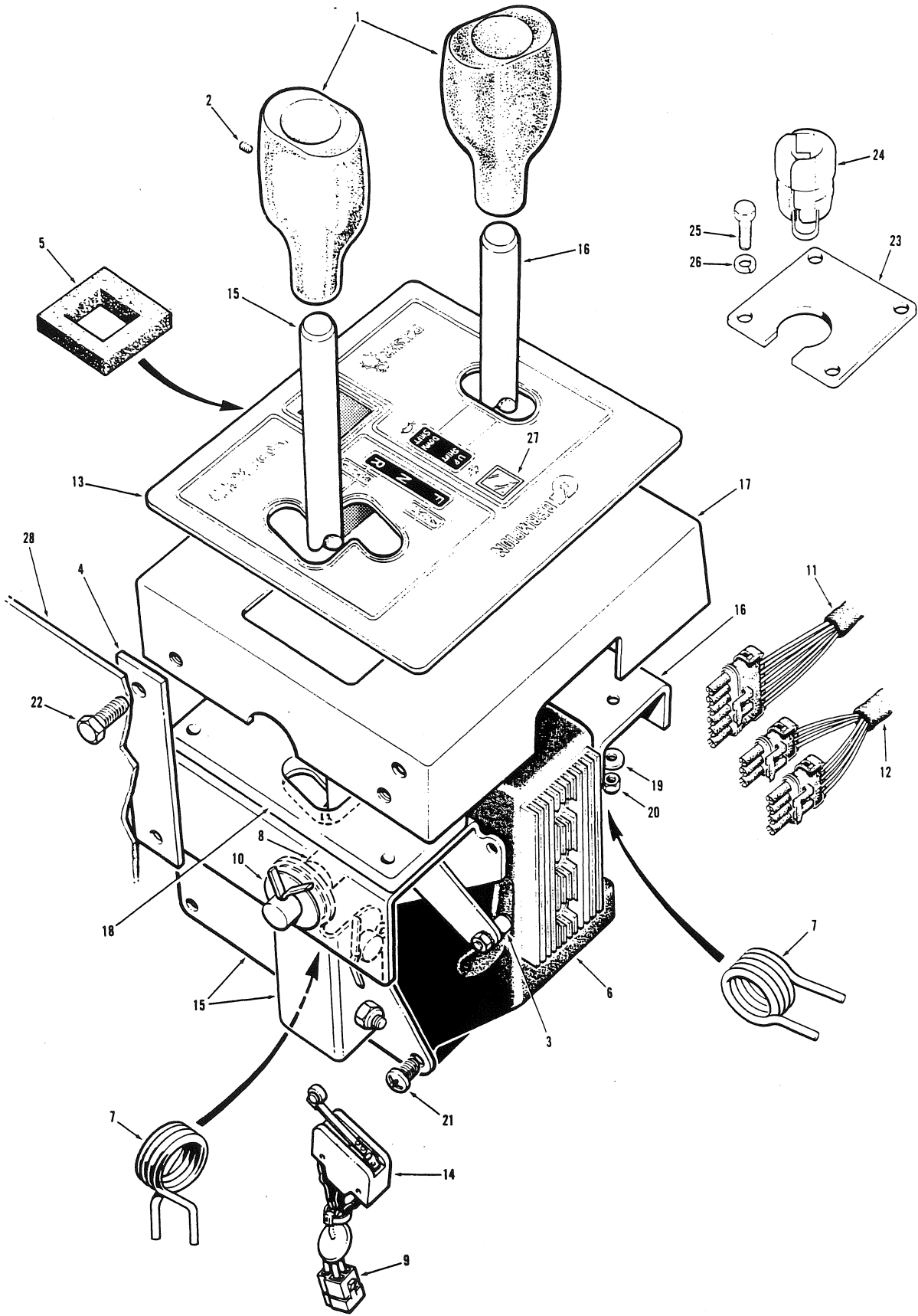
ISSUE No.
N° D'ÉMISSION
N° DE EDICIÓN

EFFECTIVE SERIAL NUMBER(S) 20719 to 21133
 NUMERO(S) DE SÉRIE EFFECTIF(S)
 NUMERO(S) DE SERIE EFECTIVO(S)

700 SERIES
 SERIE 700

SECTION 6 PAGE 1
 SECCION 6 PAGINA 1

SECTION SECCION		PAGE PAGINA		ISSUE No. N° D'ÉMISSION N° DE EDICION		TRANSMISSION CONTROLS ASSEMBLY - 12 VOLT				JANUARY 1992	
6		2		4 REVISION B							
No. N° N°	PART No. N° DE PIÈCE N° DE PIEZA	DESCRIPTION DESCRIPTION DESCRIPCION	No. REQ. N° REQ. N° REQ.	REMARKS REMARQUES NOTAS	No. N° N°	PART No. N° DE PIÈCE N° DE PIEZA	DESCRIPTION DESCRIPTION DESCRIPCION	No. REQ. N° REQ. N° REQ.	REMARKS REMARQUES NOTAS		
	56207	TRANSMISSION CONTROLS ASSEMBLY - INCLUDES ITEMS 1 to 10 & 13 to 22	1								
1	36956	KNOB	2								
2	36957	SET SCREW	2								
3	36967	MAGNET	2								
4	37046	BRACKET	2								
5	37377	GASKET	1								
6	58037	ELECTRONIC CONTROLLER	1								
7	38290	SPRING	2								
8	41861	BUSHING	4								
9	41933	VARIATOR ASSEMBLY	1								
10	43856	CURVED SPRING	5								
11	56208	WIRING HARNESS - MAIN SUPPLY	1								
12	56209	WIRING HARNESS - TRANSMISSION	1								
13	58329	DECAL	1								
14	55318	SWITCH	1								
15	55317	MODE LEVER ASSEMBLY - INCLUDES ITEMS 7 to 10 & 14	1								
16	55318	PULSER LEVER ASSEMBLY - INCLUDES ITEMS 7, 8 & 10	1								
17	58337	MOUNTING PLATE	1								
18	55320	WEAR PLATE	1								
19	14G-10	FLATWASHER	6								
20	35B-10	LOCKNUT	8								
21	61F-1006	SCREW	4								
22	50A-0404	BOLT	4								
23	*56692	COVER PLATE	1								
24	*56704	STRAIN RELIEF COLLAR	1								
25	*50A-0406	BOLT	4								
26	*14A-04	LOCKWASHER	4								
27		INSTRUMENT BOX	Ref.	Sect 10 Pg 1							



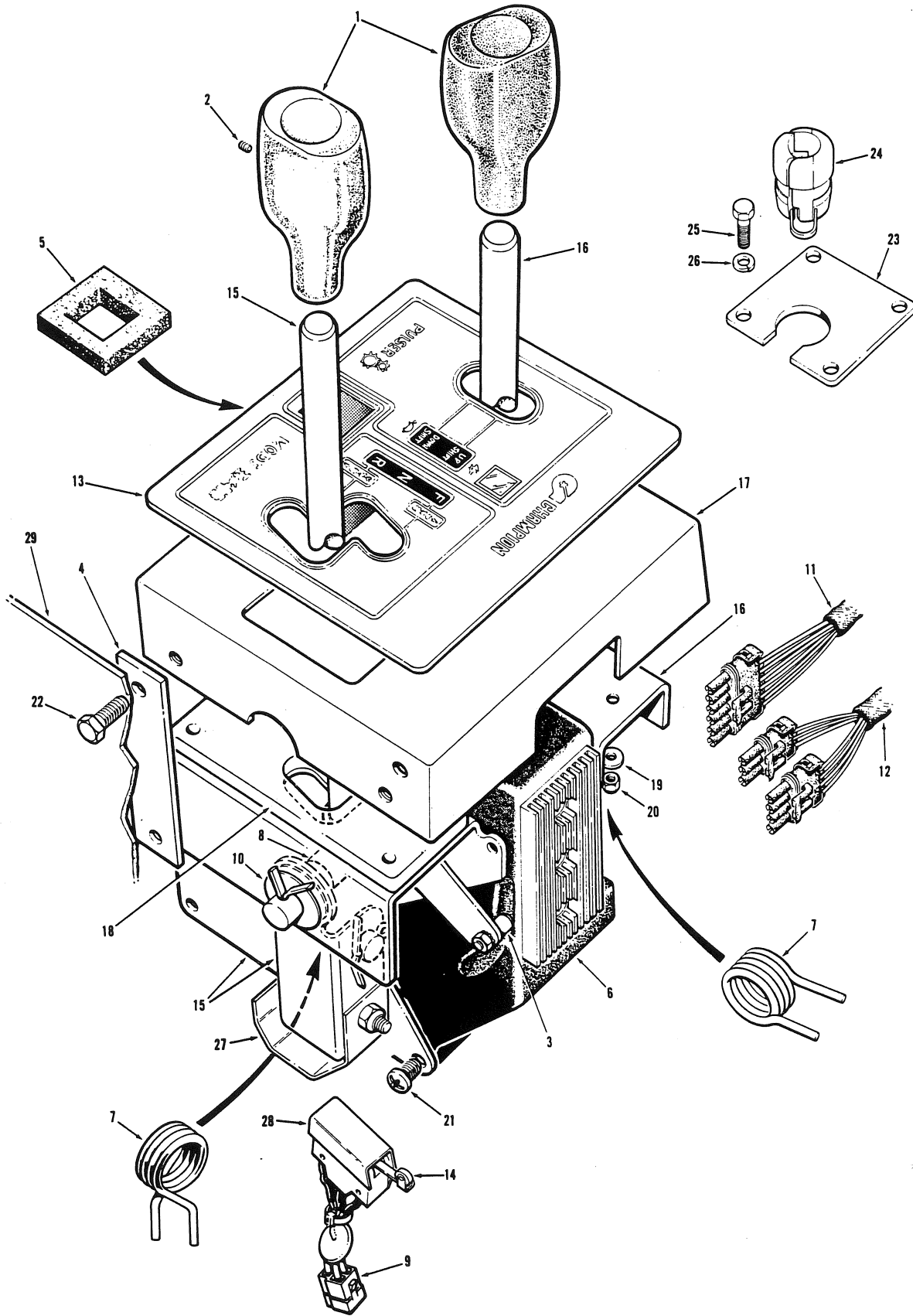
ISSUE No
N° D'ÉMISSION
N° DE EDICIÓN

EFFECTIVE SERIAL NUMBER(S)
NUMERO(S) DE SÉRIE EFFECTIF(S) 21134 to 21330,
NUMERO(S) DE SERIE EFECTIVO(S) 21332 to 21334

700 SERIES
SERIE 700

SECTION 6 PAGE 1
SECCION 6 PAGINA 1

SECTION SECCION		PAGE PAGINA		ISSUE No. N° D'ÉMISSION N° DE EDICION		5 REVISION A		TRANSMISSION CONTROLS ASSEMBLY - 12 VOLT		JANUARY 1992	
No. N° N°	PART No. N° DE PIÈCE N° DE PIEZA	DESCRIPTION DÉSCRIPTION DESCRIPCION	No. REQ. N° REQ. N° REQ.	REMARKS REMARQUES NOTAS	No. N° N°	PART No. N° DE PIÈCE N° DE PIEZA	DESCRIPTION DÉSCRIPTION DESCRIPCION	No. REQ. N° REQ. N° REQ.	REMARKS REMARQUES NOTAS		
	58321	TRANSMISSION CONTROLS ASSEMBLY - INCLUDES ITEMS 1 to 10 & 13 to 22	1								
1	36956	KNOB	2								
2	36957	SET SCREW	2								
3	36967	MAGNET	2								
4	37045	BRACKET	2								
5	37377	GASKET	1								
6	58322	ELECTRONIC CONTROLLER	1								
7	38290	SPRING	2								
8	41861	BUSHING	4								
9	41933	VARISTOR ASSEMBLY	1								
10	43856	CURVED SPRING	5								
11	56208	WIRING HARNESS - MAIN SUPPLY	1								
12	56209	WIRING HARNESS - TRANSMISSION	1								
13	58329	DECAL	1								
14	55316	SWITCH	1								
15	55317	MODE LEVER ASSEMBLY - INCLUDES ITEMS 7 to 10 & 14	1								
16	55318	PULSER LEVER ASSEMBLY - INCLUDES ITEMS 7, 8 & 10	1								
17	58337	MOUNTING PLATE	1								
18	55320	WEAR PLATE	1								
19	14G-10	FLATWASHER	6								
20	35B-10	LOCKNUT	8								
21	61F-1008	SCREW	4								
22	50A-0404	BOLT	4								
23	56692	COVER PLATE	1								
24	56704	STRAIN RELIEF COLLAR	1								
25	50A-0408	CAPSCREW	4								
26	14A-04	LOCKWASHER	4								
27	*65698	BULB - MICROPROCESSOR	1								
28		INSTRUMENT BOX	Ref.	Sect 10 Pg 1							

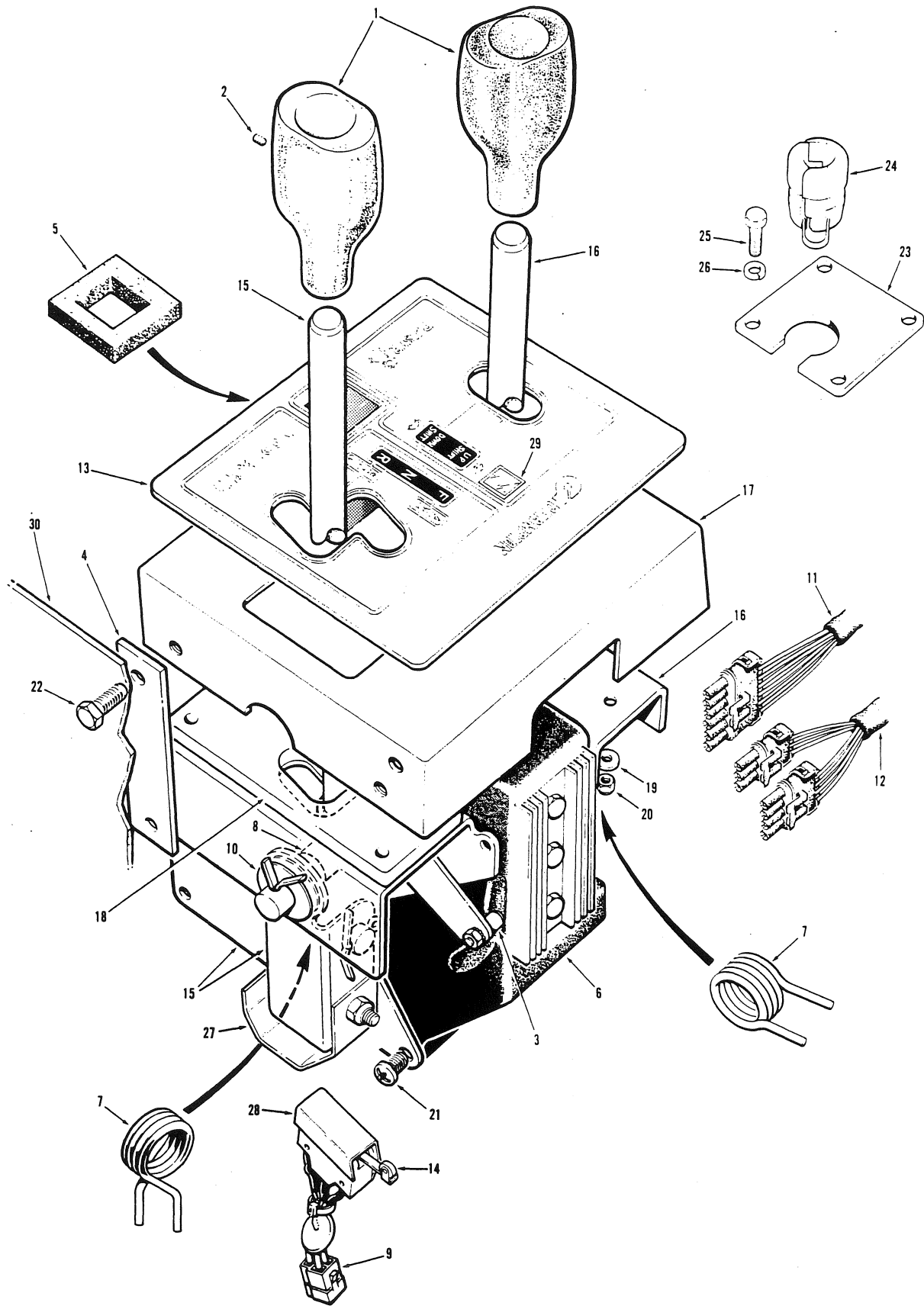


EFFECTIVE SERIAL NUMBER(S) 21331, 21335 & UP
 NUMERO(S) DE SÉRIE EFFECTIF(S)
 NUMERO(S) DE SERIE EFECTIVO(S)

700 SERIES
 SERIE 700

SECTION 6 PAGE 1
 SECCION 6 PAGINA 1

SECTION SECCION		PAGE PAGINA		ISSUE No. N° D'ÉMISSION N° DE EDICION		TRANSMISSION CONTROLS ASSEMBLY - 12 VOLT				JUNE 1991	
No. N° N°	PART No. N° DE PIÈCE N° DE PIEZA	DESCRIPTION DÉSCRIPTION DESCRIPCION		No. REQ. N° REQ. N° REQ.	REMARKS REMARQUES NOTAS	No. N° N°	PART No. N° DE PIÈCE N° DE PIEZA	DESCRIPTION DÉSCRIPTION DESCRIPCION		No. REQ. N° REQ. N° REQ.	REMARKS REMARQUES NOTAS
	*58786	TRANSMISSION CONTROLS ASSEMBLY - INCLUDES ITEMS 1 to 10 & 13 to 22		1							
1	36958	KNOB		2							
2	36957	SET SCREW		2							
3	36967	MAGNET		2							
4	37045	BRACKET		2							
5	37377	GASKET		1							
6	58322	ELECTRONIC CONTROLLER		1							
7	38290	SPRING		2							
8	41861	BUSHING		4							
9	41933	VARISTOR ASSEMBLY		1							
10	43856	CURVED SPRING		5							
11	56208	WIRING HARNESS - MAIN SUPPLY		1							
12	56209	WIRING HARNESS - TRANSMISSION		1	UP TO S/N 21449 S/N 21450 & UP						
12	*58686	WIRING HARNESS - TRANSMISSION		1							
13	58329	DECAL		1							
14	55316	SWITCH		1							
15	55317	MODE LEVER ASSEMBLY - INCLUDES ITEMS 7 to 10 & 14		1							
16	55318	PULSER LEVER ASSEMBLY - INCLUDES ITEMS 7, 8 & 10		1							
17	58337	MOUNTING PLATE		1							
18	55320	WEAR PLATE		1							
19	14G-10	FLATWASHER		6							
20	35B-10	LOCKNUT		8							
21	61F-1006	SCREW		4							
22	50A-0404	BOLT		4							
23	56692	COVER PLATE		1							
24	56704	STRAIN RELIEF COLLAR		1							
25	50A-0406	CAPSCREW		4							
26	14A-04	LOCKWASHER		4							
27	*58977	NEUTRAL SWITCH ACTIVATOR		1							
28	*58788	COVER		1							
29		INSTRUMENT BOX		REF.	Sect 10 Pg 1						



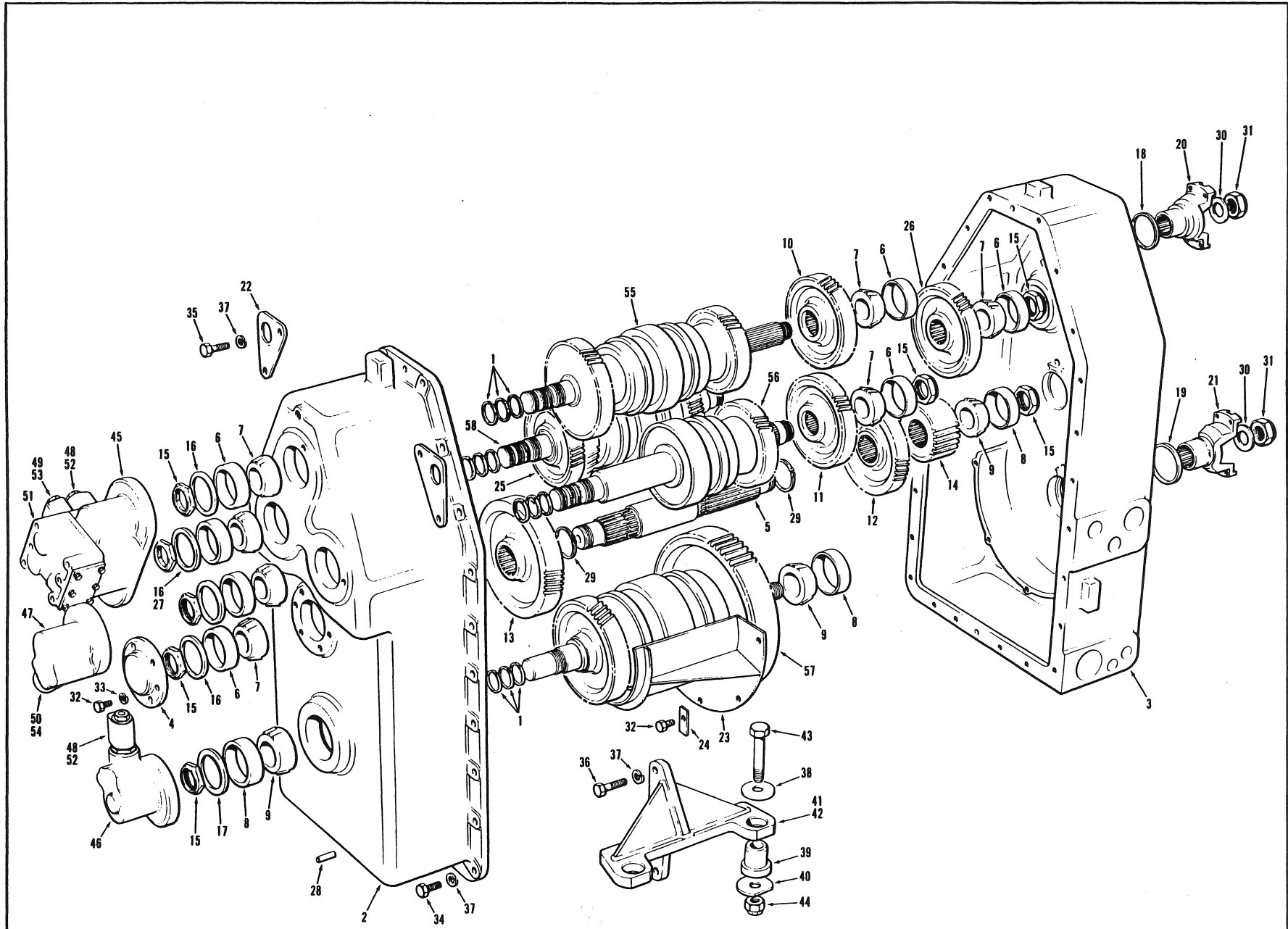
EFFECTIVE SERIAL NUMBER(S) 21331, 21335 & UP
 NUMERO(S) DE SÉRIE EFFECTIF(S)
 NUMERO(S) DE SERIE EFECTIVO(S)

700 SERIES
 SERIE 700

SECTION 6 PAGE 1
 SECCION 6 PAGINA 1

FOR LIST OF PARTS - THOM TILIC DACT
 POUR LA LISTE DES PIÉCES - THOM TILIC DACT
 PARA LA LISTA DE LAS PIEZAS - THOM TILIC DACT

SECTION 6 SECCION 6		PAGE 2 PAGINA 2	ISSUE No. N° D'ÉMISSION N° DE EDICION	6 REVISION A	TRANSMISSION CONTROLS ASSEMBLY - 12 VOLT			JANUARY 1992	
No. N° N°	PART No. N° DE PIÈCE N° DE PIEZA	DESCRIPTION DESCRIPTION DESCRIPCION	No. REQ N° REQ. N° REQ.	REMARKS REMARQUES NOTAS	No. N° N°	PART No. N° DE PIÈCE N° DE PIEZA	DESCRIPTION DESCRIPTION DESCRIPCION	No. REQ N° REQ. N° REQ.	REMARKS REMARQUES NOTAS
	58786	TRANSMISSION CONTROLS ASSEMBLY - INCLUDES ITEMS 1 to 10 & 13 to 22	1						
1	36956	KNOB	2						
2	36957	SET SCREW	2						
3	*63045	ACTUATOR - C/W HARDWARE	2						
4	37045	BRACKET	2						
5	37377	GASKET	1						
6	58322	ELECTRONIC CONTROLLER	1						
7	38290	SPRING	2						
8	41861	BUSHING	4						
9	41933	VARISTOR ASSEMBLY	1						
10	43856	CURVED SPRING	5						
11	56208	WIRING HARNESS - MAIN SUPPLY	1						
12	56209	WIRING HARNESS - TRANSMISSION	1	UP TO					
12	58686	WIRING HARNESS - TRANSMISSION	1	S/N 21449 S/N 21450 & UP					
13	58329	DECAL	1						
14	55316	SWITCH	1						
15	55317	MODE LEVER ASSEMBLY - INCLUDES ITEMS 7 to 10 & 14	1						
16	55318	PULSER LEVER ASSEMBLY - INCLUDES ITEMS 7, 8 & 10	1						
17	58337	MOUNTING PLATE	1						
18	55320	WEAR PLATE	1						
19	14G-10	FLATWASHER	6						
20	35B-10	LOCKNUT	8						
21	61F-1006	SCREW	4						
22	50A-0404	BOLT	4						
23	56692	COVER PLATE	1						
24	56704	STRAIN RELIEF COLLAR	1						
25	50A-0406	CAPSCREW	4						
26	14A-04	LOCKWASHER	4						
27	58977	NEUTRAL SWITCH ACTIVATOR	1						
28	58788	COVER	1						
29	*65698	BULB - MICROPROCESSOR	1						
30		INSTRUMENT BOX	REF.	Sect 10 Pg 1					



TRANSMISSION ASSEMBLY

SEPTEMBER 1984

FOR LIST OF PARTS - TURN THIS PAGE

POUR LA LISTE DES PIÈCES - VOIR AU VERSO

PARA LA LISTA DE LAS PIEZAS - VER AL VERSO

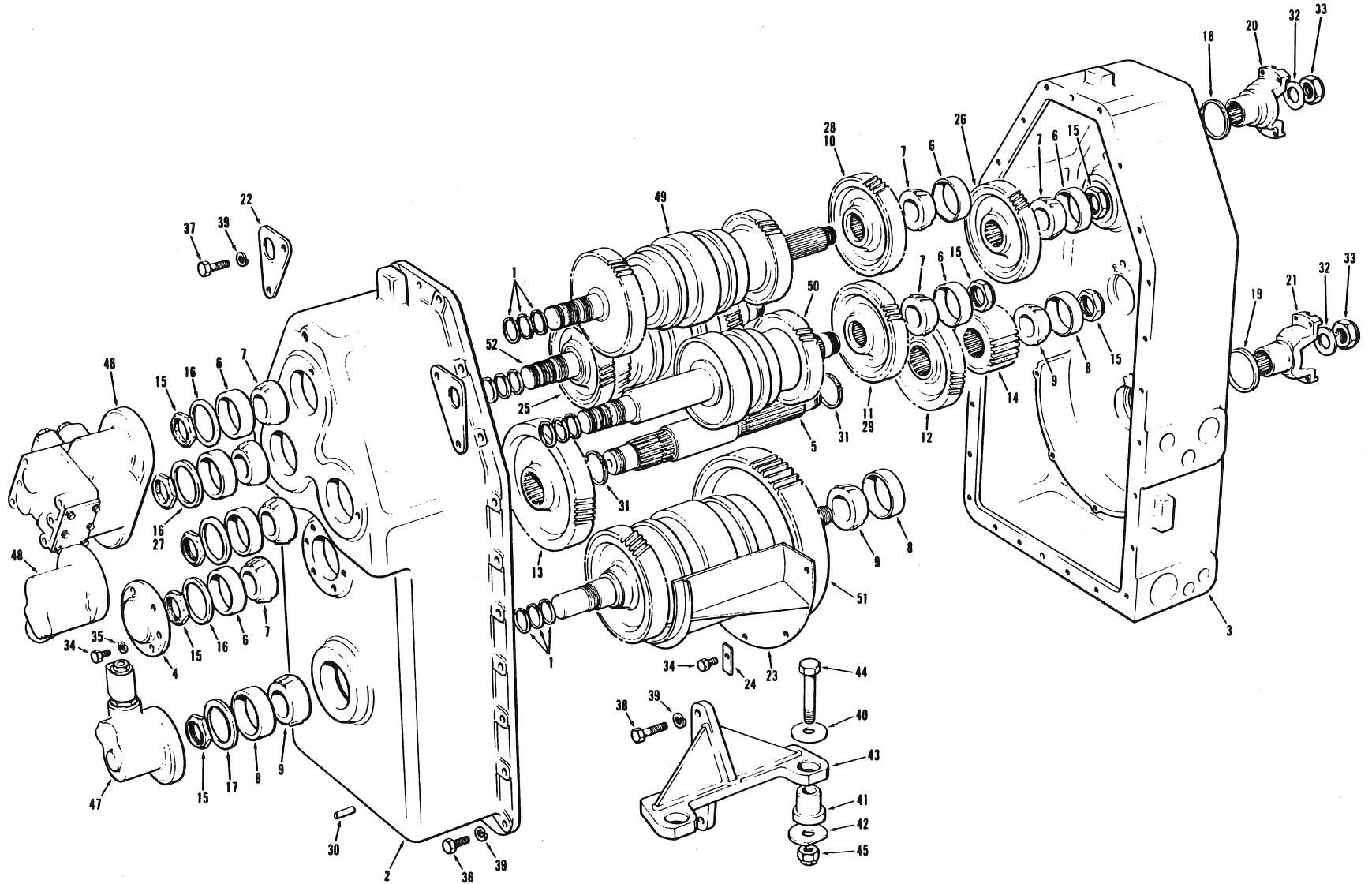
ISSUE No.
N° D'ÉMISSION
N° DE EDICION 1

EFFECTIVE SERIAL NUMBERS) 16224, 16245 & UP
NUMEROS) DE SERIE EFFECTIFS)
NUMEROS) DE SERIE EFECTIVOS)
U.S. 2021-2 & UP

700 SERIES
SERIE 700

SECTION 6 PAGE 3
SECTION 6 PAGINA 3

SECTION SECCION 6		PAGE PAGINA 4	ISSUE No. N° D'ÉMISSION N° DE EDICION 1	TRANSMISSION ASSEMBLY - MODEL 8400				SEPTEMBER 1984	
No. N° N°	PART No. N° DE PIÈCE N° DE PIEZA	DESCRIPTION DESCRIPTION DESCRIPCION	No. REQ. N° REQ. N° REQ.	REMARKS REMARQUES NOTAS	No. N° N°	PART No. N° DE PIECE N° DE PIEZA	DESCRIPTION DESCRIPTION DESCRIPCION	No. REQ. N° REQ. N° REQ.	REMARKS REMARQUES NOTAS
	29781	TRANSMISSION ASSEMBLY	1		32	50A-0608	BOLT	11	
					33	14A-06	LOCKWASHER	6	
1	16814	PISTON RING	12		34	50A-0812	BOLT	14	
2	29700	FRONT CASE	1		35	50A-0814	BOLT	4	
3	29701	REAR CASE	1		36	50A-0818	BOLT	6	
4	29705	CAP	1		37	14A-08	LOCKWASHER	24	
5	29706	2nd INTERMEDIATE SHAFT	1						
6	29707	CUP	7						
7	29708	CONE	7						
8	29709	CUP	3		38	11966	FLATWASHER	4	
9	29710	CONE	3		39	17674	RUBBER MOUNT	4	
10	29721	GEAR - 52 TEETH - L.H.	1		40	24101	FLATWASHER	4	
11	29722	GEAR - 52 TEETH - R.H.	1		41	29757	MOUNT - L.H.	1	
12	29725	GEAR - 52 TEETH	1		42	29758	MOUNT - R.H.	1	
13	29726	GEAR - 70 TEETH	1						
14	29727	GEAR - 24 TEETH	1		43	51A-1024	BOLT	4	
15	29728	LOCKNUT	8		44	37C-10	LOCKNUT	4	
	29729	SPACER - .110" THICK	A.R.						
	29730	SPACER - .115" THICK	A.R.						
16	29731	SPACER - .120" THICK	A.R.		45	29702	CAP - MAIN CONTROL VALVE		
	29732	SPACER - .125" THICK	A.R.		46	29703	CAP - RANGE CONTROL VALVE		
	29733	SPACER - .130" THICK	A.R.		47	29704	CAP - REVERSE CONTROL VALVE		
	29734	SPACER - .100" THICK	A.R.		48	29747	SOLENOID VALVE ASSY.- INCLUDES ITEM 52		
	29735	SPACER - .105" THICK	A.R.		49	29748	SOLENOID VALVE ASSY.- INCLUDES ITEM 53		
	29736	SPACER - .110" THICK	A.R.		50	29749	SOLENOID VALVE ASSY.- INCLUDES ITEM 54	REF.	SECTION 6 PAGE 7
	29737	SPACER - .115" THICK	A.R.		51	29763	REGULATOR VALVE		
17	29738	SPACER - .120" THICK	A.R.		52	37105	COIL		
	29739	SPACER - .125" THICK	A.R.		53	37106	COIL		
	29740	SPACER - .130" THICK	A.R.		54	37107	COIL		
	29741	SPACER - .100" THICK	A.R.						
	29742	SPACER - .105" THICK	A.R.						
18	29743	SEAL	1		55		INPUT CLUTCH AND SHAFT ASSEMBLY	REF.	SECTION 6 PAGE 9
19	29744	SEAL	1		56		REVERSE CLUTCH AND SHAFT ASSEMBLY	REF.	SECTION 6 PAGE 11
20	29745	YOKE - UPPER	1		57		OUTPUT CLUTCH AND SHAFT ASSEMBLY	REF.	SECTION 6 PAGE 13
21	29746	YOKE - LOWER	1		58		INTERMEDIATE CLUTCH AND SHAFT ASSEMBLY	REF.	SECTION 6 PAGE 15
22	29760	LIFT EYE	2						
23	29761	OIL BAFFLE	1						
24	29762	LOCKING PLATE	5						
25	29777	GEAR - 46 TEETH	1						
26	29778	GEAR - 54 TEETH	1						
	29783	SPACER - .080" THICK	A.R.						
27	29784	SPACER - .085" THICK	A.R.						
	29785	SPACER - .090" THICK	A.R.						
	29786	SPACER - .095" THICK	A.R.						
28	13D-1616	DOWEL PIN	2						
29	19C-237	SNAP RING	2						
30	14D-20	FLATWASHER	2						
31	37M-20	LOCKNUT	2						



EFFECTIVE SERIAL NUMBERS) 16748 TO 18178, 18180 TO
 NUMEROS) DE SERIE EFFECTIFS) 18210
 NUMEROS) DE SERIE EFFECTIVOS)
 U.S. 2364-2 TO 2658-2

700 SERIES
 SERIE 700

SECTION 6 PAGE 3
 SECTION 6 PAGINA 3

ISSUE No.
 N° D'ÉMISSION
 N° DE EDICION 2 REVISION C

TRANSMISSION ASSEMBLIES - MODEL 8400

JULY 1987

FOR LIST OF PARTS - TURN THIS PAGE

POUR LA LISTE DES PIÈCES - VOIR AU VERSO

PARA LA LISTA DE LAS PIEZAS - VER AL VERSO

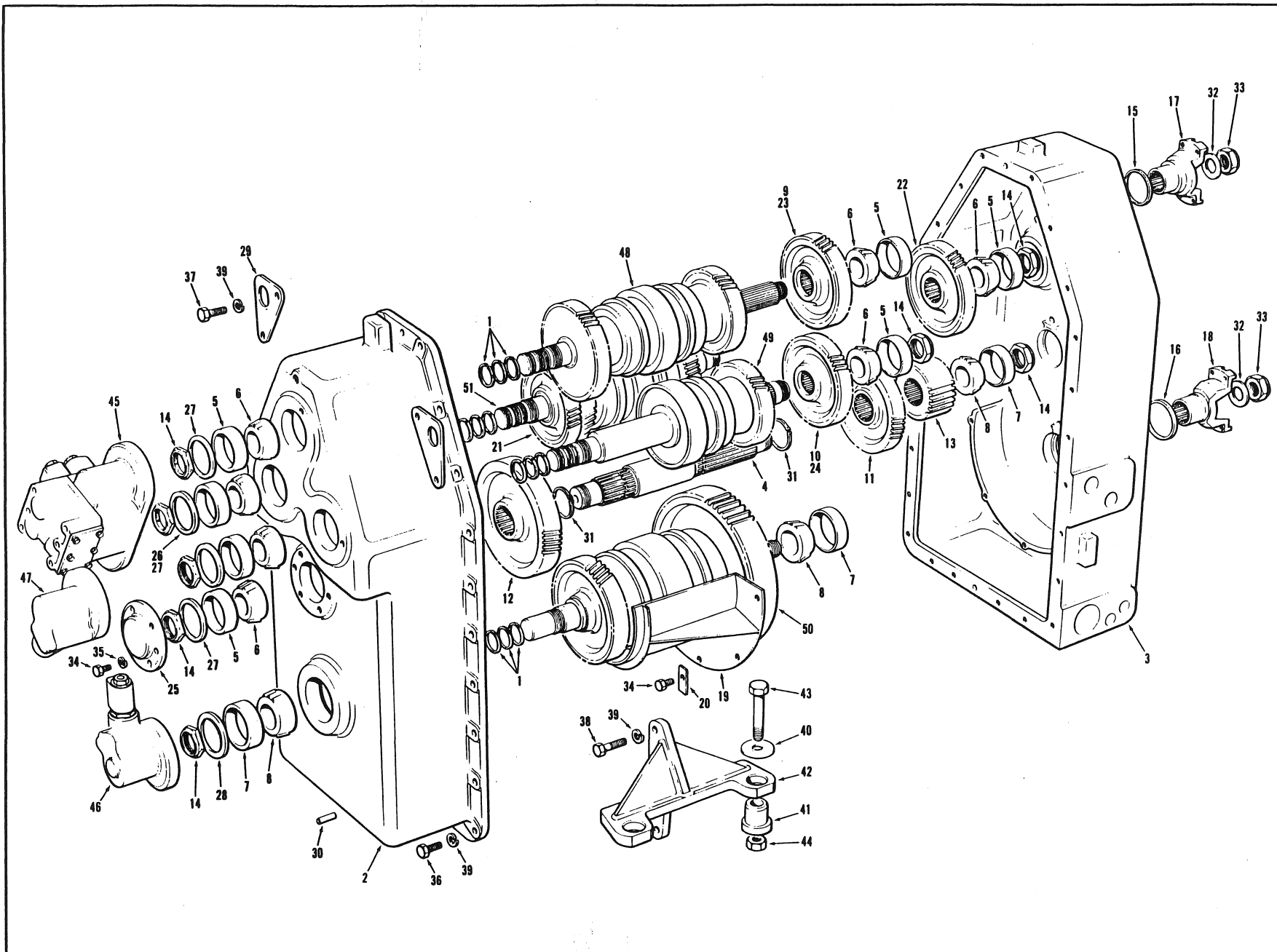
USE ONLY CHAMPION ROAD MACHINERY APPROVED PARTS

SECTION SECCION		PAGE PAGINA		ISSUE No. N° D'ÉMISSION N° DE EDICION		2 REVISION C		TRANSMISSION ASSEMBLIES - MODEL 8400			JULY 1987	
No. N° N°	PART No. N° DE PIÈCE N° DE PIEZA	DESCRIPTION DESCRIPTION DESCRIPCION	No. REQ. N° REQ. N° REQ.	REMARKS REMARQUES NOTAS	No. N° N°	PART No. N° DE PIECE N° DE PIEZA	DESCRIPTION DESCRIPTION DESCRIPCION	No. REQ. N° REQ. N° REQ.	REMARKS REMARQUES NOTAS			
	29953	TRANSMISSION ASSEMBLY - STANDARD INCLUDES ITEMS 1 TO 27 & 30 TO 52	1	EXCEPT 780 & 780A	25	29777	GEAR - 46 TEETH	1				
	29954	TRANSMISSION ASSEMBLY - HIGH SPEED REVERSE INCLUDES ITEMS 1 TO 9 & 12 TO 52 (SUPPLIED WITH SOME MODEL 760A GRADERS)	1	780 & 780A	26	29778	GEAR - 54 TEETH	1				
					27	29783	SPACER - .080" THICK	A.R.				
					28	29784	SPACER - .085" THICK	A.R.				
					29	29855	GEAR - 58 TEETH	1				
						29856	GEAR - 46 TEETH	1	780 & 780A			
1	16814	PISTON RING	12		30	13D-1616	DOWEL PIN	2				
2	29700	FRONT CASE	1		31	19C-237	SNAP RING	2				
3	29701	REAR CASE	1		32	14D-20	FLATWASHER	2				
4	29705	CAP	1		33	37M-20	LOCKNUT	2				
5	29706	2nd INTERMEDIATE SHAFT	1		34	50A-0608	BOLT	11				
6	29707	CUP	7		35	14A-06	LOCKWASHER	6				
7	29708	CONE	7		36	50A-0812	BOLT	14				
8	29709	CUP	3		37	50A-0814	BOLT	4				
9	29710	CONE	3		38	50A-0818	BOLT	6				
10	29721	GEAR - 52 TEETH - L.H.	1	EXCEPT	39	14A-08	LOCKWASHER	24				
11	29722	GEAR - 52 TEETH - R.H.	1	780 & 780A								
12	29725	GEAR - 52 TEETH	1									
13	29726	GEAR - 70 TEETH	1									
14	29727	GEAR - 24 TEETH	1									
15	29728	LOCKNUT	8		40	11966	FLATWASHER	4				
	29729	SPACER - .110" THICK	A.R.		41	17674	RUBBER MOUNT	4				
	29730	SPACER - .115" THICK	A.R.		42	24101	FLATWASHER	4				
	29731	SPACER - .120" THICK	A.R.		43	41718	MOUNT	2				
	29732	SPACER - .125" THICK	A.R.		44	51A-1028	BOLT	4				
	29733	SPACER - .130" THICK	A.R.		45	37J-10	LOCKNUT	4				
16	29734	SPACER - .100" THICK	A.R.									
	29735	SPACER - .105" THICK	A.R.		46		CAP - MAIN CONTROL VALVE					
	*29783	SPACER - .0800" THICK	A.R.		47		CAP - RANGE CONTROL VALVE	REF.	SECTION 6 PAGE 8			
	*29784	SPACER - .0850" THICK	A.R.		48		CAP - REVERSE CONTROL VALVE					
	29785	SPACER - .090" THICK	A.R.									
	29786	SPACER - .095" THICK	A.R.		49		INPUT CLUTCH AND SHAFT ASSEMBLY	REF.	SECTION 6 PAGE 10			
	29860	SPACER - .095" THICK	A.R.									
	29861	SPACER - .090" THICK	A.R.									
	29736	SPACER - .110" THICK	A.R.									
	29737	SPACER - .115" THICK	A.R.									
17	29738	SPACER - .120" THICK	A.R.		50		REVERSE CLUTCH AND SHAFT ASSEMBLY	REF.	SECTION 6 PAGE 12			
	29739	SPACER - .125" THICK	A.R.									
	29740	SPACER - .130" THICK	A.R.									
	29741	SPACER - .100" THICK	A.R.									
	29742	SPACER - .105" THICK	A.R.		51		OUTPUT CLUTCH AND SHAFT ASSEMBLY	REF.	SECTION 6 PAGE 14			
18	29743	SEAL	1									
19	29744	SEAL	1									
20	29745	YOKE - UPPER	1									
21	29746	YOKE - LOWER	1		52		INTERMEDIATE CLUTCH AND SHAFT ASSEMBLY	REF.	SECTION 6 PAGE 16			
22	*45035	LIFT EYE	2									
23	29761	OIL BAFFLE	1									
24	29762	LOCKING PLATE	5									

EFFECTIVE SERIAL NUMBERS) 18179, 18211 TO 18877
NUMEROS) DE SERIE EFFECTIFS)
NUMEROS) DE SERIE EFFECTIVOS)
U.S. 2659-2 & UP

700 SERIES
SERIE 700

SECTION 6 PAGE 3
SECCION 6 PAGINA 3



ISSUE No.
N° D'ÉMISSION
N° DE EDICION 3 REVISION A

TRANSMISSION ASSEMBLIES - MODEL 8400

AUGUST 1988

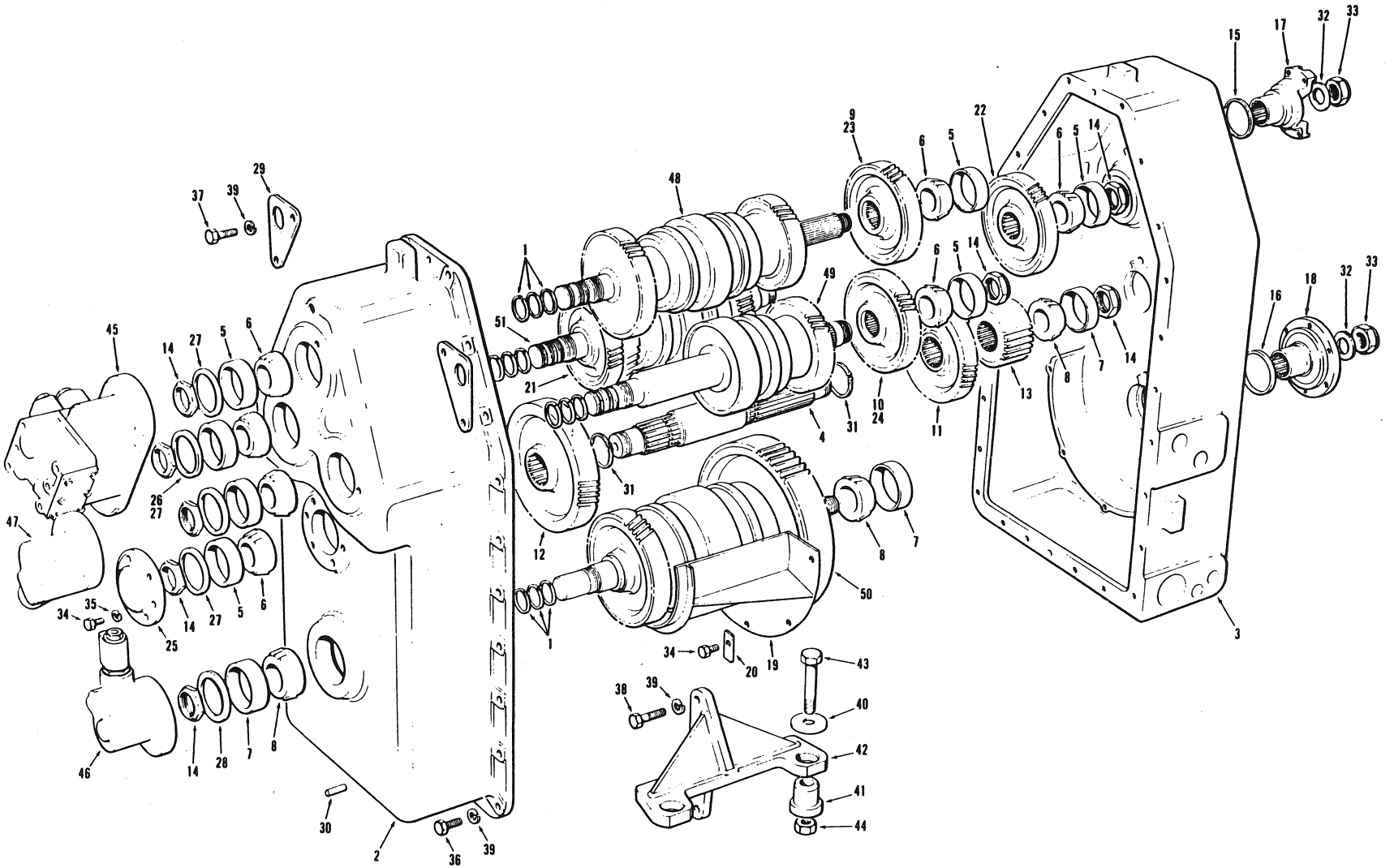
FOR LIST OF PARTS - TURN THIS PAGE

POUR LA LISTE DES PIÈCES - VOIR AU VERSO

PARA LA LISTA DE LAS PIEZAS - VER AL VERSO

USE ONLY CHAMPION ROAD MACHINERY APPROVED PARTS

SECTION SECCION	PAGE PAGINA	ISSUE No. N° D'ÉMISSION N° DE EDICION	3 REVISION A	TRANSMISSION ASSEMBLIES - MODEL 8400			AUGUST 1988		
No. N° N°	PART No. N° DE PIÉCE N° DE PIEZA	DESCRIPTION DÉSCRIPTION DESCRIPCION	No. REQ. N° REQ. N° REQ.	REMARKS REMARQUES NOTAS	No. N° N°	PART No. N° DE PIÉCE N° DE PIEZA	DESCRIPTION DÉSCRIPTION DESCRIPCION	No. REQ. N° REQ. N° REQ.	REMARKS REMARQUES NOTAS
	37790	TRANSMISSION ASSEMBLY - STANDARD INCLUDES ITEMS 1 TO 22 & 25 TO 51	1	EXCEPT 780 & 780A	30	13D-1616	DOWEL PIN	2	
	37791	TRANSMISSION ASSEMBLY - HIGH SPEED REVERSE INCLUDES ITEMS 1 TO 8 & 11 TO 51	1	780 & 780A	31	19C-237	SNAP RING	2	
1	16814	PISTON RING	12		32	14D-20	FLATWASHER	2	
2	29700	FRONT CASE	1		33	37M-20	LOCKNUT	2	
3	*37668	REAR CASE	1		34	50A-0608	BOLT	11	
4	29706	2nd INTERMEDIATE SHAFT	1		35	14A-06	LOCKWASHER	6	
5	29707	CUP	7		36	50A-0812	BOLT	14	
6	29708	CONE	3		37	50A-0814	BOLT	4	
7	29709	CUP	3		38	50A-0818	BOLT	6	
8	29710	CONE	3		39	14A-08	LOCKWASHER	24	
9	29721	GEAR - 52 TEETH - L.H.	1	EXCEPT	<u>TRANSMISSION MOUNTS</u>				
10	29722	GEAR - 52 TEETH - R.H.	1	780 & 780A	40	11966	FLATWASHER	4	
11	29725	GEAR - 52 TEETH	1		41	17674	RUBBER MOUNT	4	
12	29726	GEAR - 70 TEETH	1		42	41718	MOUNT	2	
13	29727	GEAR - 24 TEETH	1		43	51A-1028	BOLT	4	
14	29728	LOCKNUT	1		44	37J-10	LOCKNUT	4	
15	29743	SEAL	8		45		CAP - MAIN CONTROL VALVE	REF.	SECTION 6 PAGE 8
16	29744	SEAL	1		46		CAP - RANGE CONTROL VALVE		
17	29745	YOKE - UPPER	1		47		CAP - REVERSE CONTROL VALVE		
18	29746	YOKE - LOWER	1						
19	29761	OIL BAFFLE	1						
20	29762	LOCKING PLATE	5		48		INPUT CLUTCH AND SHAFT ASSEMBLY	REF.	SECTION 6 PAGE 10
21	29777	GEAR - 46 TEETH	1						
22	29778	GEAR - 54 TEETH	1						
23	29855	GEAR - 58 TEETH	1						
24	29856	GEAR - 46 TEETH	1	780 & 780A	49		REVERSE CLUTCH AND SHAFT ASSEMBLY	REF.	SECTION 6 PAGE 12
25	37788	CAP	1						
26	37764	SPACER - .1800" THICK	A.R.						
	37765	SPACER - .1850" THICK	A.R.						
	37766	SPACER - .1900" THICK	A.R.		50		OUTPUT CLUTCH AND SHAFT ASSEMBLY	REF.	SECTION 6 PAGE 14
	37767	SPACER - .1950" THICK	A.R.						
	37768	SPACER - .2000" THICK	A.R.						
	37769	SPACER - .2050" THICK	A.R.						
	37770	SPACER - .2100" THICK	A.R.		51		INTERMEDIATE CLUTCH AND SHAFT ASSEMBLY	REF.	SECTION 6 PAGE 16
	37771	SPACER - .2150" THICK	A.R.						
	37772	SPACER - .2200" THICK	A.R.						
	37773	SPACER - .2250" THICK	A.R.						
	37774	SPACER - .2300" THICK	A.R.						
	37774	SPACER - .2300" THICK	A.R.						
	37795	SPACER - .2400" THICK	A.R.						
37799	SPACER - .1750" THICK	A.R.							
37776	SPACER - .1900" THICK	A.R.							
37777	SPACER - .1950" THICK	A.R.							
37778	SPACER - .2000" THICK	A.R.							
37779	SPACER - .2050" THICK	A.R.							
37780	SPACER - .2100" THICK	A.R.							
37781	SPACER - .2150" THICK	A.R.							
37782	SPACER - .2200" THICK	A.R.							
37783	SPACER - .2250" THICK	A.R.							
37784	SPACER - .2300" THICK	A.R.							
37796	SPACER - .2350" THICK	A.R.							
37797	SPACER - .1800" THICK	A.R.							
37798	SPACER - .1850" THICK	A.R.							
29	45035	LIFT EYE	2						



USE ONLY  CHAMPION ROAD MACHINERY APPROVED PARTS

EFFECTIVE SERIAL NUMBERS(S)
 NUMEROS(S) DE SÉRIE EFFECTIFS(S)
 NUMEROS(S) DE SERIE EFECTIVOS(S)

18878 to 20241, 20243, 20244,
 20246 to 20249, 20251, 20252,
 20254, 20255, 20257 to 20259,
 20261 to 20264

700 SERIES
SERIE 700

SECTION 6
SECTION 6
PAGE 3
PAGINA 3

ISSUE No.
 N° D'ÉMISSION
 N° DE EDICION 4 REVISION A

TRANSMISSION ASSEMBLIES - MODEL 8400

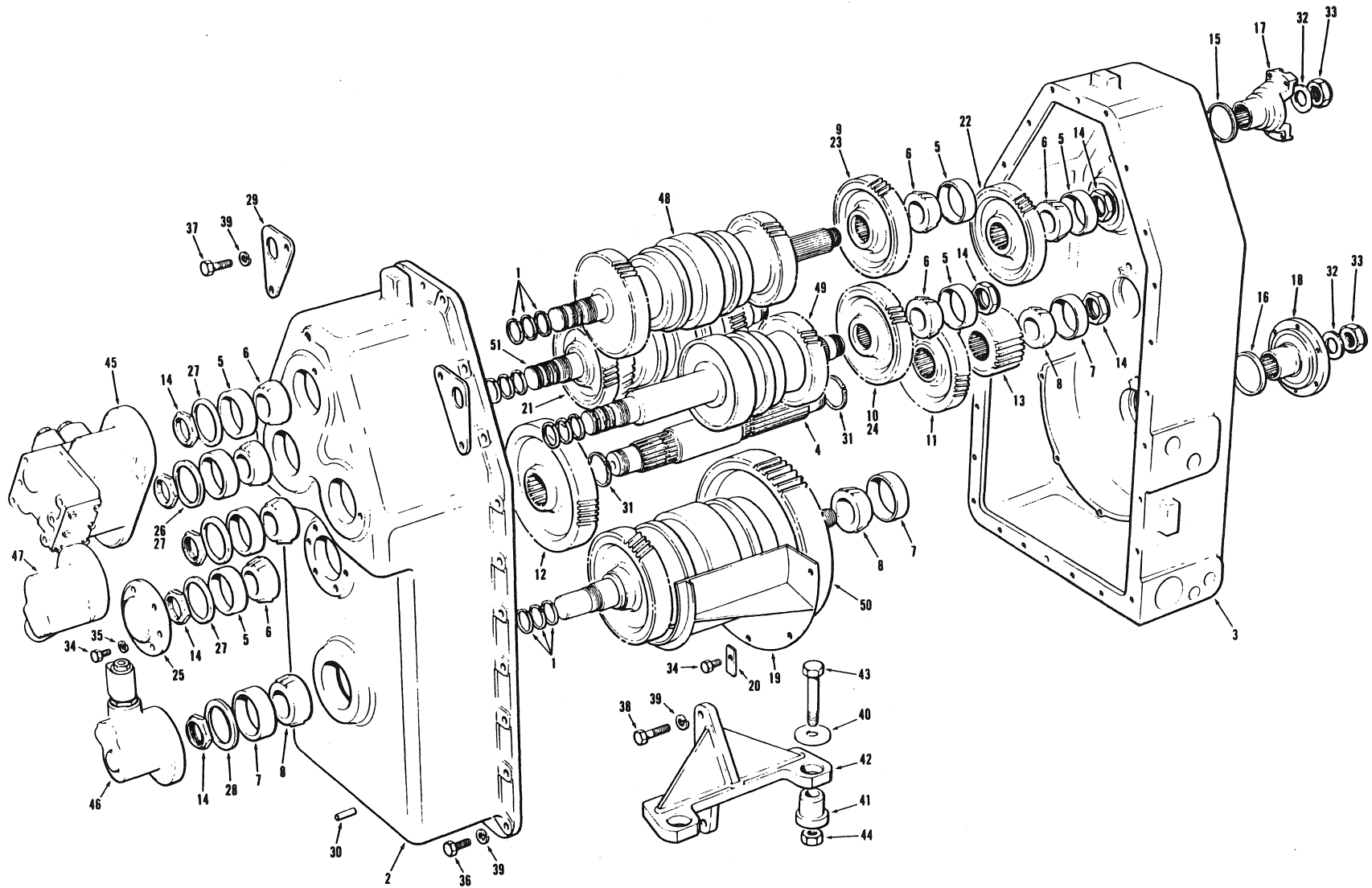
JANUARY 1990

FOR LIST OF PARTS - TURN THIS PAGE

POUR LA LISTE DES PIÈCES - VOIR AU VERSO

PARA LA LISTA DE LAS PIEZAS - VER AL VERSO

SECTION 6		PAGE 4		ISSUE No. N° D'ÉMISSION N° DE EDICION		4 REVISION A		TRANSMISSION ASSEMBLIES - MODEL 8400			JANUARY 1990	
No. N° N°	PART No. N° DE PIÈCE N° DE PIEZA	DESCRIPTION DÉSCRIPTION DESCRIPCION	No. REQ. N° REQ. N° REQ.	REMARKS REMARQUES NOTAS	No. N° N°	PART No. N° DE PIÈCE N° DE PIEZA	DESCRIPTION DÉSCRIPTION DESCRIPCION	No. REQ. N° REQ. N° REQ.	REMARKS REMARQUES NOTAS			
	49787	TRANSMISSION ASSEMBLY - STANDARD INCLUDES ITEMS 1 TO 22 & 25 TO 51	1	710 thru 750A		37776	SPACER - .1900" THICK	A.R.				
	49795	TRANSMISSION ASSEMBLY - HIGH SPEED REVERSE INCLUDES ITEMS 1 TO 8 & 11 TO 51	1	780/780A		37777	SPACER - .1950" THICK	A.R.				
1	16814	PISTON RING	12		28	37778	SPACER - .2000" THICK	A.R.				
2	29700	FRONT CASE	1			37779	SPACER - .2050" THICK	A.R.				
3	37668	REAR CASE	1			37780	SPACER - .2100" THICK	A.R.				
4	29706	2nd INTERMEDIATE SHAFT	1			37781	SPACER - .2150" THICK	A.R.				
5	29707	CUP	7			37782	SPACER - .2200" THICK	A.R.				
6	29708	CONE	7			37783	SPACER - .2250" THICK	A.R.				
7	29709	CUP	3		29	37784	SPACER - .2300" THICK	A.R.				
8	29710	CONE	3			37796	SPACER - .2350" THICK	A.R.				
9	29721	GEAR - 52 TEETH - L.H.	1	710 thru 750A		37797	SPACER - .1800" THICK	A.R.				
10	29722	GEAR - 52 TEETH - R.H.	1	710 thru 750A		37798	SPACER - .1850" THICK	A.R.				
11	29725	GEAR - 52 TEETH	1		29	45035	LIFT EYE	2				
12	29726	GEAR - 70 TEETH	1		30	13D-1616	DOWEL PIN	2				
13	29727	GEAR - 24 TEETH	1		31	19C-237	SNAP RING	2				
14	29728	LOCKNUT	8		32	14D-20	FLATWASHER	2				
15	29743	SEAL	1		33	37M-20	LOCKNUT	2				
16	29744	SEAL	1		34	50A-0608	BOLT	11				
17	29745	YOKE - UPPER	1		35	14A-06	LOCKWASHER	6				
18	37655	YOKE - LOWER	1		36	50A-0812	BOLT	14				
19	29761	OIL BAFFLE	1		37	50A-0814	BOLT	4				
20	29762	LOCKING PLATE	5		38	50A-0818	BOLT	6				
21	29777	GEAR - 46 TEETH	1		39	14A-08	LOCKWASHER	24				
22	29778	GEAR - 54 TEETH	1	780/780A			TRANSMISSION MOUNTS					
23	29855	GEAR - 58 TEETH	1	780/780A	40	11966	FLATWASHER	4				
24	29856	GEAR - 46 TEETH	1		41	17674	RUBBER MOUNT	4				
25	37788	CAP	1		42	41718	MOUNT	2				
26	37764	SPACER - .1800" THICK	A.R.		43	51A-1028	BOLT	4				
	37765	SPACER - .1850" THICK	A.R.		44	37J-10	LOCKNUT	4				
	37766	SPACER - .1900" THICK	A.R.		45		CAP - MAIN CONTROL VALVE		SECTION 6			
	37767	SPACER - .1950" THICK	A.R.		46		CAP - RANGE CONTROL VALVE	REF.	PAGE 8			
	37768	SPACER - .2000" THICK	A.R.		47		CAP - REVERSE CONTROL VALVE					
	37769	SPACER - .2050" THICK	A.R.		48		INPUT CLUTCH AND SHAFT ASSEMBLY	REF.	SECTION 6 PAGE 10			
27	37770	SPACER - .2100" THICK	A.R.		49		REVERSE CLUTCH AND SHAFT ASSEMBLY	REF.	SECTION 6 PAGE 12			
	37771	SPACER - .2150" THICK	A.R.		50		OUTPUT CLUTCH AND SHAFT ASSEMBLY	REF.	SECTION 6 PAGE 14			
	37772	SPACER - .2200" THICK	A.R.		51		INTERMEDIATE CLUTCH AND SHAFT ASSEMBLY	REF.	SECTION 6 PAGE 16			
	37773	SPACER - .2250" THICK	A.R.									
	37774	SPACER - .2300" THICK	A.R.									
	37794	SPACER - .2350" THICK	A.R.									
	37795	SPACER - .2400" THICK	A.R.									
	37799	SPACER - .1750" THICK	A.R.									



USE ONLY  CHAMPION ROAD MACHINERY APPROVED PARTS

EFFECTIVE SERIAL NUMBER(S)
 NUMERO(S) DE SERIE EFFECTIF(S)
 NUMERO(S) DE SERIE EFFECTIVO(S)

20242, 20245, 20250, 20253,
 20256, 20260, 20265 & UP

700 SERIES
 SERIE 700

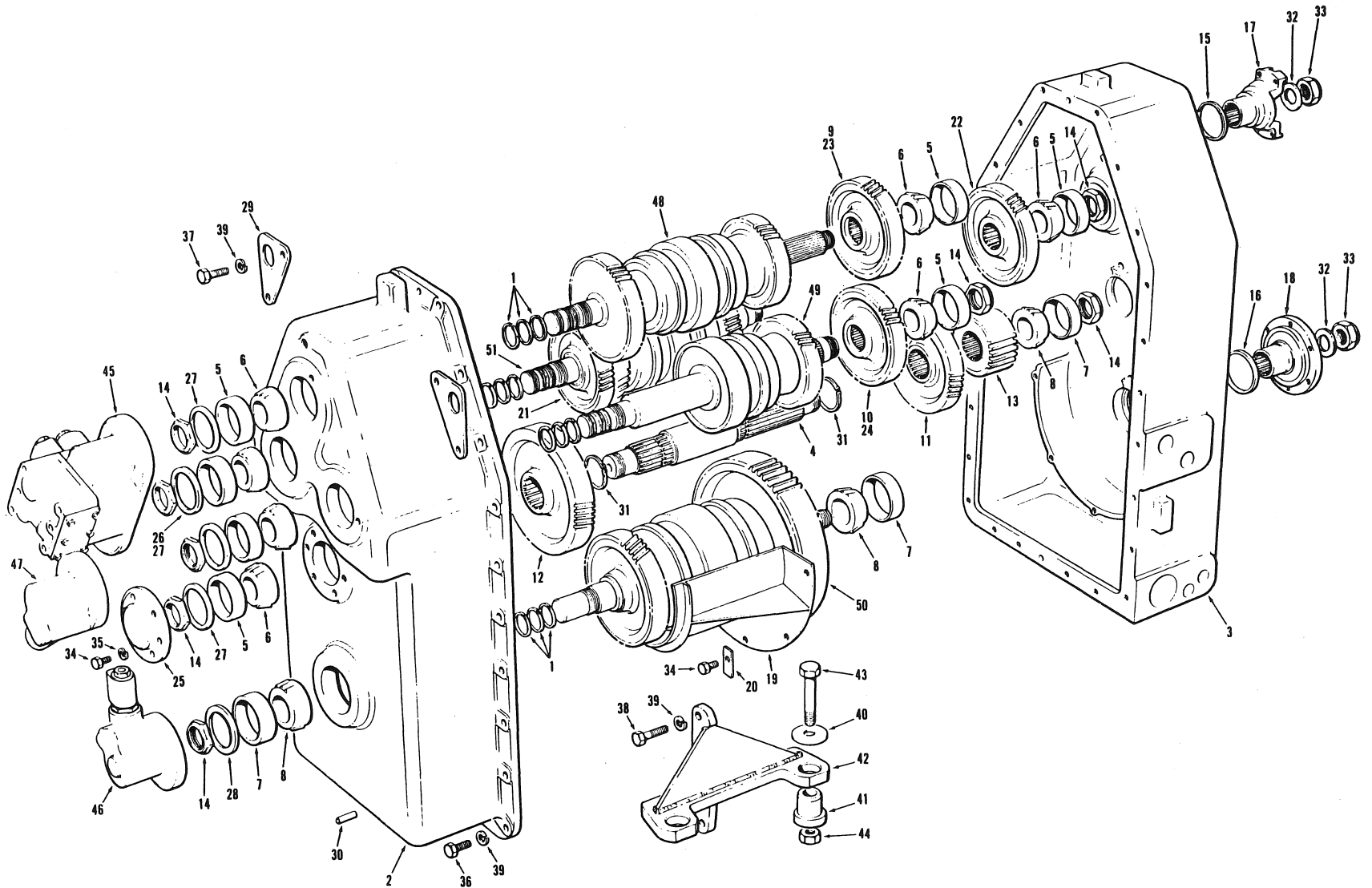
SECTION 6 PAGE 3
 SECCION 6 PAGINA 3

ISSUE No.
 N° D'ÉMISSION
 N° DE EDICION 5

TRANSMISSION ASSEMBLIES - MODEL 8400

OCTOBER 1989

FOR LIST OF PARTS - TURN THIS PAGE POUR LA LISTE DES PIÈCES - VOIR AU VERSO PARA LA LISTA DE LAS PIEZAS - VER AL VERSO



EFFECTIVE SERIAL NUMBER(S) 20719 & UP
 NUMEROS(S) DE SERIE EFFECTIFS EXCLUDING 20731
 NUMEROS(S) DE SERIE EFFECTIVOS

700 SERIES
 SERIE 700

SECTION 6
 SECTION 6
 PAGE 3
 PAGINA 3

ISSUE No.
 N° D'ÉMISSION
 N° DE EDICION 6

TRANSMISSION ASSEMBLIES - MODEL 8400

SEPTEMBER 1990

FOR LIST OF PARTS - TURN THIS PAGE

POUR LA LISTE DES PIÈCES - VOIR AU VERSO

PARA LA LISTA DE LAS PIEZAS - VER AL VERSO

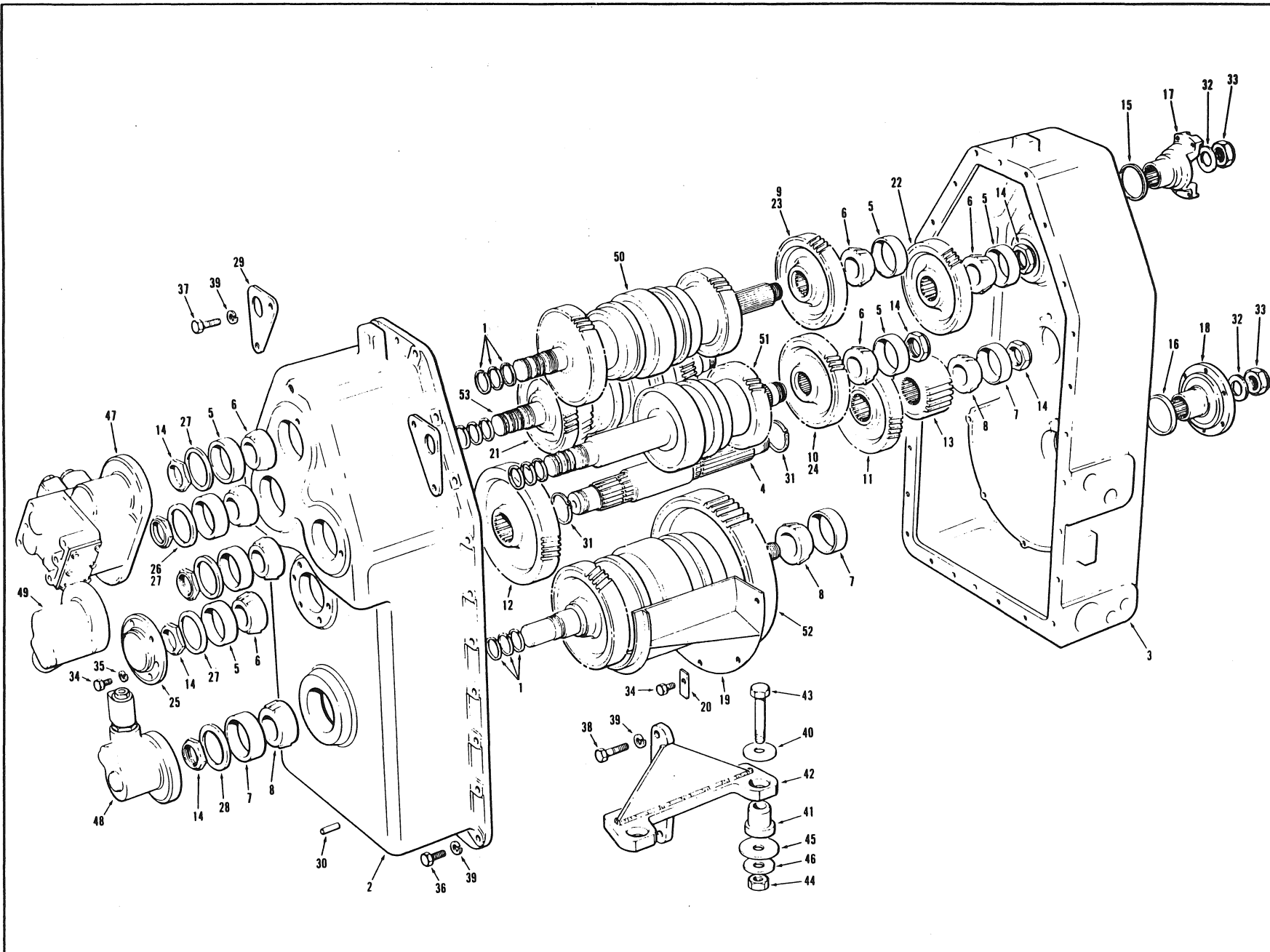
USE ONLY CHAMPION ROAD MACHINERY APPROVED PARTS

SECTION SECCION		PAGE PAGINA	ISSUE No. N° D'ÉMISSION N° DE EDICION	TRANSMISSION ASSEMBLIES - MODEL 8400		SEPTEMBER 1990			
No. N° N°	PART No. N° DE PIÈCE N° DE PIEZA	DESCRIPTION DÉSCRIPTION DESCRIPCION	No. REQ. N° REQ. N° REQ.	REMARKS REMARQUES NOTAS	No. N° N°	PART No. N° DE PIECE N° DE PIEZA	DESCRIPTION DÉSCRIPTION DESCRIPCION	No. REQ. N° REQ. N° REQ.	REMARKS REMARQUES NOTAS
	*58076	TRANSMISSION ASSEMBLY - STANDARD - INCLUDES ITEMS 1 TO 22 & 25 TO 51	1	EXCEPT 780/780A		37776	SPACER - .1900" THICK	1	
	*58077	TRANSMISSION ASSEMBLY - HIGH SPEED REVERSE - INCLUDES ITEMS 1 TO 8 & 11 TO 51	1	780/780A		37777	SPACER - .1950" THICK	1	
1	16814	PISTON RING	12			37778	SPACER - .2000" THICK	1	
2	29700	FRONT CASE	1			37779	SPACER - .2050" THICK	1	
3	51284	REAR CASE	1			37780	SPACER - .2100" THICK	1	
4	29708	2nd. INTERMEDIATE SHAFT	1		28	37781	SPACER - .2150" THICK	1	
5	29707	CUP	7			37782	SPACER - .2200" THICK	1	
6	29708	CONE	7			37783	SPACER - .2250" THICK	1	
7	29709	CUP	3			37784	SPACER - .2300" THICK	1	
8	29710	CONE	3			37796	SPACER - .2350" THICK	1	
9	29721	GEAR - 52 TEETH - L.H.	1	EXCEPT	29	45035	SPACER - .1800" THICK	1	
10	29722	GEAR - 52 TEETH - R.H.	1	780/780A		37798	SPACER - .1850" THICK	1	
11	29725	GEAR - 52 TEETH	1		30	13D-1616	LIFT EYE	2	
12	29726	GEAR - 70 TEETH	1		31	19C-237	DOWEL PIN	2	
13	29727	GEAR - 24 TEETH	1		32	14D-20	SNAP RING	2	
14	29728	LOCKNUT	8		33	37M-20	FLATWASHER	2	
15	29743	SEAL	1		34	50A-0608	LOCKNUT	2	
16	29744	SEAL	1		35	14A-06	BOLT	11	
17	29745	YOKE - UPPER	1		36	14A-06	LOCKWASHER	6	
18	37655	YOKE - LOWER	1		37	50A-0812	BOLT	14	
19	29761	OIL BAFFLE	1		38	50A-0814	BOLT	4	
20	29762	LOCKING PLATE	5		39	50A-0818	BOLT	6	
21	29777	GEAR - 46 TEETH	1			14A-08	LOCKWASHER	24	
22	29778	GEAR - 54 TEETH	1	780			<u>TRANSMISSION MOUNTS</u>		
23	29855	GEAR - 58 TEETH	1	& 780A	40	11966	FLATWASHER	4	
24	29856	GEAR - 46 TEETH	1		41	*56906	RUBBER MOUNT	4	
25	37788	CAP	1		42	*58074	MOUNT	2	
	37764	SPACER - .1800" THICK	1		43	51A-1028	BOLT	4	
26	37765	SPACER - .1850" THICK	1		44	37J-10	LOCKNUT	4	
	37766	SPACER - .1900" THICK	1						
	37767	SPACER - .1950" THICK	4		45		CAP - MAIN CONTROL VALVE		SECTION
	37768	SPACER - .2000" THICK	4		46		CAP - RANGE CONTROL VALVE	REF.	PAGE 7
	37769	SPACER - .2050" THICK	4		47		CAP - REVERSE CONTROL VALVE		
27	37770	SPACER - .2100" THICK	4		48		INPUT CLUTCH AND SHAFT ASSEMBLY	REF.	SECTION 6
	37771	SPACER - .2150" THICK	4						PAGE 9
	37772	SPACER - .2200" THICK	4		49		REVERSE CLUTCH AND SHAFT ASSEMBLY	REF.	SECTION 6
	37773	SPACER - .2250" THICK	4						PAGE 11
	37774	SPACER - .2300" THICK	4		50		OUTPUT CLUTCH AND SHAFT ASSEMBLY	REF.	SECTION 6
	37794	SPACER - .2350" THICK	4						PAGE 13
	37795	SPACER - .2400" THICK	4		51		INTERMEDIATE CLUTCH AND SHAFT ASSEMBLY	REF.	SECTION 6
	37799	SPACER - .1750" THICK	4						PAGE 15

EFFECTIVE SERIAL NUMBERS) 21053 to 21158,
 NUMEROS) DE SERIE EFFECTIFS) 21168 & UP
 NUMEROS) DE SERIE EFFECTIVOS)

700 SERIES
 SERIE 700

SECTION 6 PAGE 3
 SECCION 6 PAGINA 3



ISSUE No.
 N° D'ÉMISSION
 N° DE EDICION 7

TRANSMISSION ASSEMBLIES - MODEL 8400

JANUARY 1991

FOR LIST OF PARTS - TURN THIS PAGE

POUR LA LISTE DES PIÈCES - VOIR AU VERSO

PARA LA LISTA DE LAS PIEZAS - VER AL VERSO

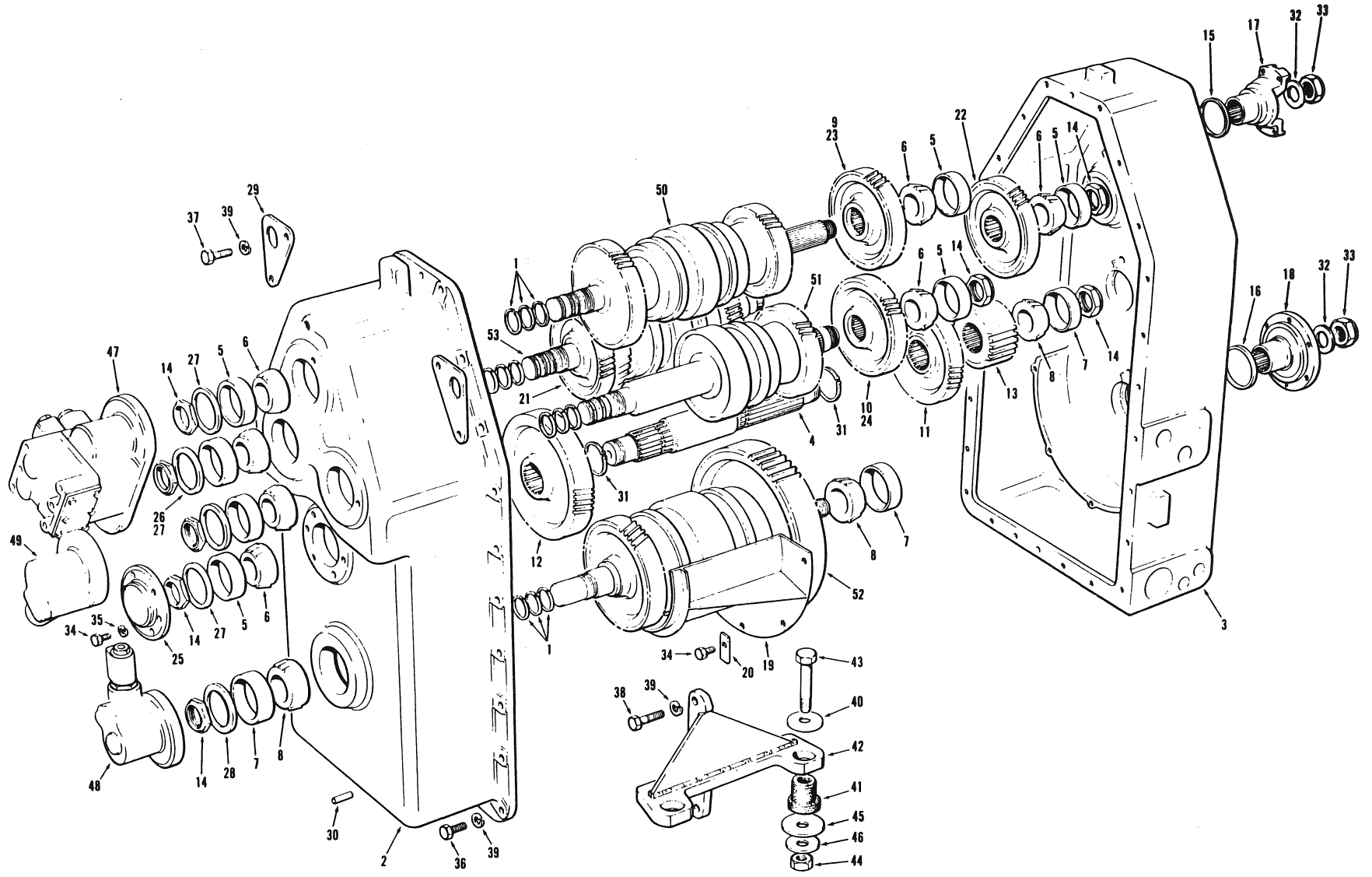
USE ONLY CHAMPION ROAD MACHINERY APPROVED PARTS

EFFECTIVE SERIAL NUMBER(S)
 NUMEROS DE SERIE EFFECTIF(S)
 NUMEROS DE SERIE EFFECTIVOS

21450 & UP

700 SERIES
 SERIE 700

SECTION 6
 SECCION 6
 PAGE 3
 PAGINA 3



USE ONLY CHAMPION
 HARDWARE APPROVED PARTS

ISSUE No.
 N° D'ÉMISSION
 N° DE EDICION 8 REVISION A

TRANSMISSION ASSEMBLIES - MODEL 8400

SEPTEMBER 1991

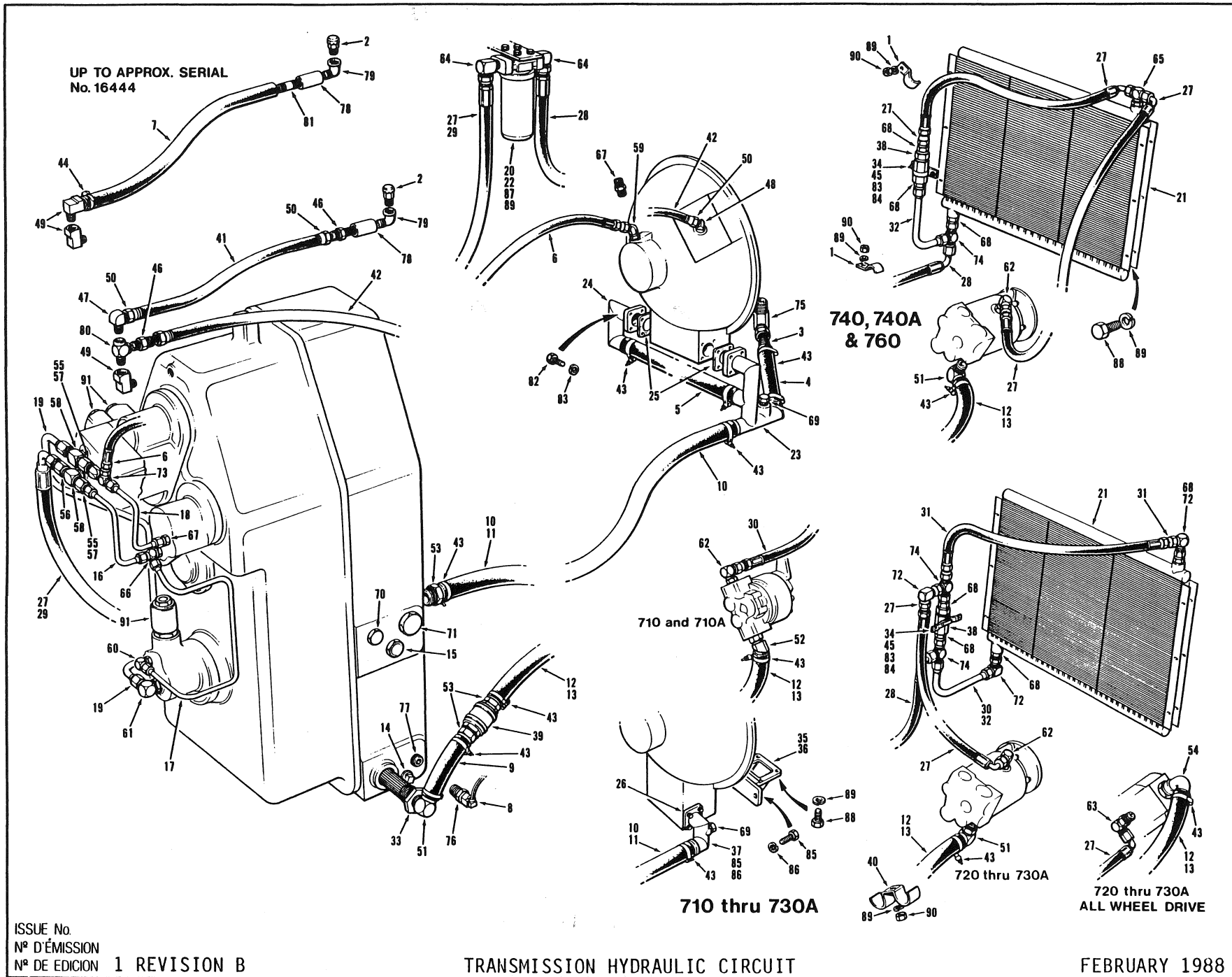
FOR LIST OF PARTS - TURN THIS PAGE

POUR LA LISTE DES PIÈCES - VOIR AU VERSO

PARA LA LISTA DE LAS PIEZAS - VER AL VERSO

SECTION SECCION		PAGE PAGINA		ISSUE No. N° D'ÉMISSION N° DE EDICION		8 REVISION A		TRANSMISSION ASSEMBLIES - MODEL 8400		SEPTEMBER 1991	
No. N° N°	PART No. N° DE PIÈCE N° DE PIEZA	DESCRIPTION DÉSCRIPTION DESCRIPCION	No. REQ. N° REQ. N° REQ.	REMARKS REMARQUES NOTAS	No. N° N°	PART No. N° DE PIECE N° DE PIEZA	DESCRIPTION DÉSCRIPTION DESCRIPCION	No. REQ. N° REQ. N° REQ.	REMARKS REMARQUES NOTAS		
	58683	TRANSMISSION ASSEMBLY - STANDARD - INCLUDES ITEMS 1 to 22 , 25 to 39, 42 & 47 to 53	1	710 thru 750A		37776	SPACER - .1900" THICK	1			
	58684	TRANSMISSION ASSEMBLY - HIGH SPEED REVERSE - INCLUDES ITEMS 1 to 8, 11 to 39, 42 & 47 to 53	1	780/780A		37777	SPACER - .1950" THICK	1			
1	16814	PISTON RING	12			37778	SPACER - .2000" THICK	1			
2	29700	FRONT CASE	1			37779	SPACER - .2050" THICK	1			
3	51284	REAR CASE	1			37780	SPACER - .2100" THICK	1			
4	29706	2nd. INTERMEDIATE SHAFT	1			37781	SPACER - .2150" THICK	1			
5	29707	CUP	7			37782	SPACER - .2200" THICK	1			
6	29708	CONE	7			37783	SPACER - .2250" THICK	1			
7	29709	CUP	3			37784	SPACER - .2300" THICK	1			
8	29710	CONE	3			37796	SPACER - .2350" THICK	1			
9	29721	GEAR - 52 TEETH - L.H.	1	710 thru 750A		37797	SPACER - .1800" THICK	1			
10	29722	GEAR - 52 TEETH - R.H.	1	710 thru 750A		37798	SPACER - .1850" THICK	1			
11	29725	GEAR - 52 TEETH	1		29	45035	LIFT EYE	2			
12	29726	GEAR - 70 TEETH	1		30	13D-1616	DOWEL PIN	2			
13	29727	GEAR - 24 TEETH	1		31	19C-237	SNAP RING	2			
14	29728	LOCKNUT	8		32	14D-20	FLATWASHER	2			
15	29743	SEAL	1		33	37M-20	LOCKNUT	2			
16	29744	SEAL	1		34	50A-0608	BOLT	11			
17	29745	YOKE - UPPER	1		35	14A-06	LOCKWASHER	6			
18	37655	YOKE - LOWER	1		36	50A-0812	BOLT	14			
19	29761	OIL BAFFLE	1		37	50A-0814	BOLT	4			
20	29762	LOCKING PLATE	5		38	50A-0818	BOLT	6			
21	29777	GEAR - 46 TEETH	1		39	14A-08	LOCKWASHER	24			
22	29778	GEAR - 54 TEETH	1	780/780A			TRANSMISSION MOUNTS				
23	29855	GEAR - 58 TEETH	1	780/780A	40	59498	FLATWASHER	4			
24	29856	GEAR - 46 TEETH	1		41	*59908	RUBBER MOUNT	4			
25	37788	CAP	1			56906	RUBBER MOUNT - SEE NOTE	4			
26	37764	SPACER - .1800" THICK	1		42	58074	MOUNT	2			
	37765	SPACER - .1850" THICK	1		43	51A-1030	BOLT	4			
	37766	SPACER - .1900" THICK	1		44	37J-10	LOCKNUT	4			
	37767	SPACER - .1950" THICK	4		45	*59956	WASHER - SEE NOTE	4			
	37768	SPACER - .2000" THICK	4		46	59499	WASHER	4			
	37769	SPACER - .2050" THICK	4			14C-10	WASHER	4			
	37770	SPACER - .2100" THICK	4		47		CAP - MAIN CONTROL VALVE	REF.	Sect 6 Pg 7		
	37771	SPACER - .2150" THICK	4		48		CAP - RANGE CONTROL VALVE	REF.	Sect 6 Pg 7		
	37772	SPACER - .2200" THICK	4		49		CAP - REVERSE CONTROL VALVE	REF.	Sect 6 Pg 7		
	37773	SPACER - .2250" THICK	4				INPUT CLUTCH AND SHAFT ASSEMBLY	REF.	Sect 6 Pg 9		
	37774	SPACER - .2300" THICK	4		50		REVERSE CLUTCH AND SHAFT ASSEMBLY	REF.	Sect 6 Pg 11		
	37794	SPACER - .2350" THICK	4		51		OUTPUT CLUTCH AND SHAFT ASSEMBLY	REF.	Sect 6 Pg 13		
	37795	SPACER - .2400" THICK	4		52		INTERMEDIATE CLUTCH AND SHAFT ASSEMBLY	REF.	Sect 6 Pg 15		
	37799	SPACER - .1750" THICK	4		53						
							NOTE:				
							PART NUMBERS 59908 & 59956 ARE APPLICABLE TO SERIAL NUMBERS 21754 & UP EXCEPT 21789, 21797, 21801, 21805, 21813 & 21818				

CHAMPION ROAD MACHINERY



UP TO APPROX. SERIAL
No. 16444

740, 740A
& 760

710 and 710A

710 thru 730A

720 thru 730A

720 thru 730A
ALL WHEEL DRIVE

ISSUE No.
Nº D'ÉMISSION
Nº DE EDICION 1 REVISION B

TRANSMISSION HYDRAULIC CIRCUIT

FEBRUARY 1988

FOR LIST OF PARTS - TURN THIS PAGE

POUR LA LISTE DES PIÈCES - VOIR AU VERSO

PARA LA LISTA DE LAS PIEZAS - VER AL VERSO

EFFECTIVE SERIAL NUMBERS)
NUMEROSI DE SERIE EFFETTIVI(S)
NUMEROSI DE SERIE EFFETTIVOSI)

16244, 16245 TO 16797

700 SERIES
SERIE 700

SECTION 6
SECCION 6
PAGE 5
PAGINA 5

5

USE ONLY CHAMPION APPROVED PARTS



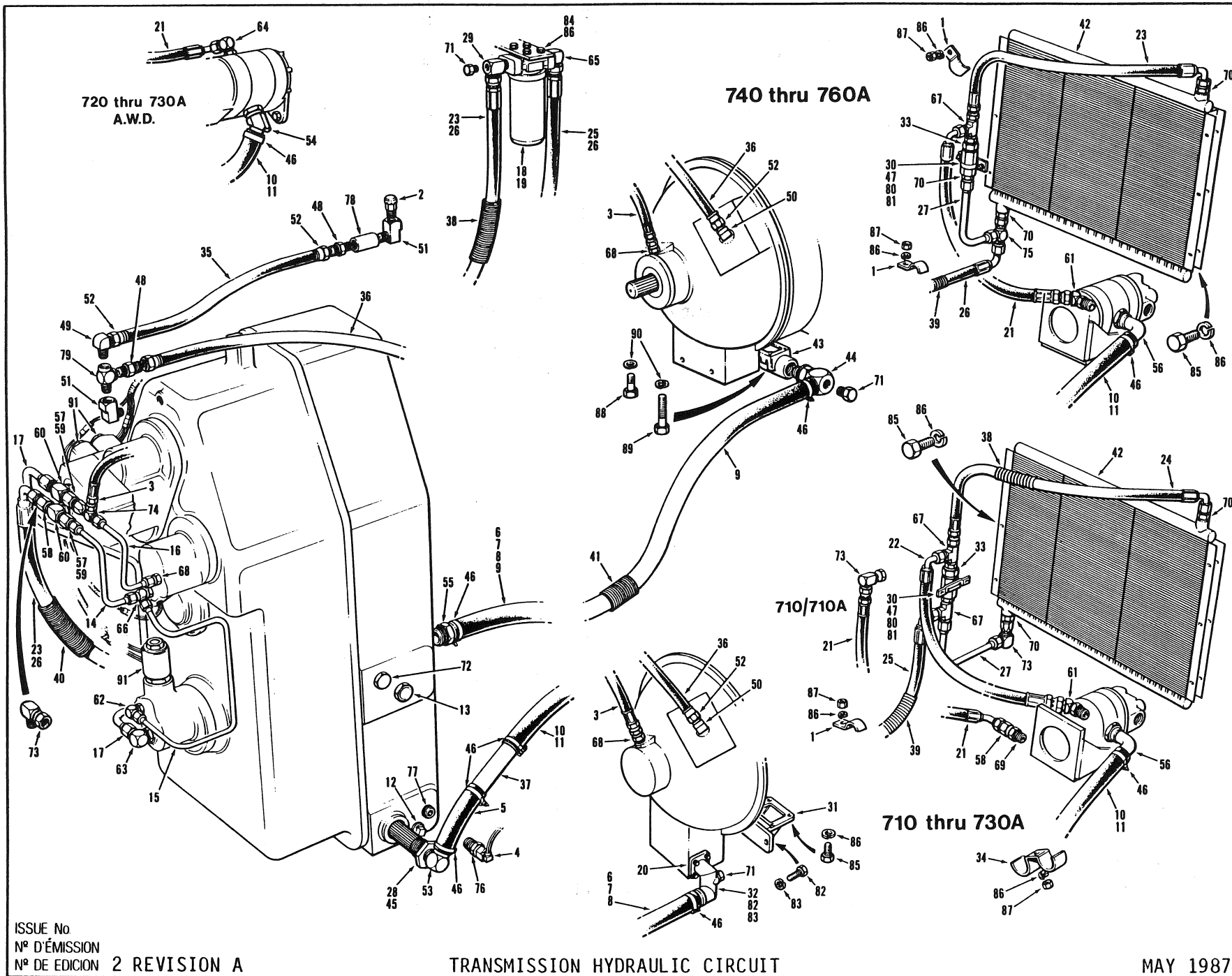
SECTION SECCION 6		PAGE PAGINA 6	ISSUE No. N° D'ÉMISSION N° DE EDICION	1 REVISION B	TRANSMISSION HYDRAULIC CIRCUIT			FEBRUARY 1988	
No. N° N°	PART No. N° DE PIÈCE N° DE PIEZA	DESCRIPTION DÉSCRIPTION DESCRIPCION	No. REQ. N° REQ. N° REQ.	REMARKS REMARQUES NOTAS	No. N° N°	PART No. N° DE PIECE N° DE PIEZA	DESCRIPTION DÉSCRIPTION DESCRIPCION	No. REQ. N° REQ. N° REQ.	REMARKS REMARQUES NOTAS
1	3180	CLIP	A.R.		43	22A-212	CLAMP	A.R.	
2	4341	BREATHER	1		44	22B-12	CLAMP	A.R.	
3	8572-4	HALF NIPPLE	1		45	22B-36	CLAMP	1	
4	8585 X 9	HOSE	1		46	101H-0806	CONNECTER	2	
5	8585 X 13	HOSE	1		47	101J-0806	ELBOW	1	
6	9313 X 53.5	HOSE	1		48	101M-0806	ELBOW	1	
7	9513 X 25	HOSE	1	A.R.	49	103P-06	ELBOW	A.R.	
8	15828	IMMERSION HEATER	1	OPTIONAL	50	106B-0808	HOSE END	4	
9	17156 X 7	HOSE	1		51	108A-2420	CONNECTER	A.R.	
10	17156 X 28	HOSE	1		52	108B-2420	CONNECTER	1	710&710A
11	17156 X 30.5	HOSE	1	710&710A	53	*108C-2424	CONNECTER	3	
12	17156 X 105	HOSE	1	710, 720, 730, 740, & 760	54	108G-2420	CONNECTER	1	720 THRU 730A AWD
13	17156 X 142	HOSE	1	710A, 720A, 730A&740A	55	110A-1208	REDUCER	2	
14	27449	MAGNETIC PLUG	1		56	110AH-1612	ADAPTER	1	
15	29751	INDICATOR-OIL LEVEL - C/W GASKET	1		57	110B-12	NUT	2	
16	29752	TUBE	1		58	110Y-1212	TEE	2	
17	29753	TUBE	1		59	111A-0808	CONNECTER	1	740&740A &760
18	29754	TUBE	1		60	111B-0808	CONNECTER	1	
19	29755	TUBE	1		61	111B-1212	CONNECTER	1	
20	37104	ELEMENT	1		62	111B-1612	CONNECTER	1	
21	40128	OIL COOLER	1		63	111B-1616	CONNECTER	1	A.W.D.
22	40217	FILTER ASSEMBLY - C/W ITEM 20	1		64	111B-1620	CONNECTER	2	
23	40282	DRAIN-LH	1		65	111C-1616	TEE	1	740, 740A &760
24	40285	DRAIN-RH	1	740, 740A & 760	66	111D-0808	TEE	1	
25	40289	GASKET	2		67	111E-0808	CONNECTER	1	
26	40303	GASKET	1	710 THRU 730A	68	111E-1616	CONNECTER	3	
27	40308 X 49	HOSE	A.R.		69	111H-08	PLUG	1	
28	40308 X 83	HOSE	1	710A, 720A 730A, 740A	70	111H-16	PLUG	1	
29	40308 X 95	HOSE	1		71	111H-24	PLUG	A.R.	
30	40309 X 18	HOSE	2	710&710A	72	112B-16	CONNECTER	2	710 THRU 730A
31	40309 X 52	HOSE	1	710 THRU 730A	73	112C-08	TEE	1	
32	40310	TUBE	1	720 THRU 760	74	112C-16	TEE	A.R.	
33	40313	STRAINER	1		75	113C-1216	CONNECTER	1	740, 740A &760
34	40423	CLAMP BASE	1		76	115B-1208	REDUCER	1	OPTIONAL
35	40700	DRAIN MANIFOLD	1	720, 720A 730&730A	77	115D-12	PLUG	1	A.R.
36	40701	DRAIN MANIFOLD	1	710&710A	78	115G-06	COUPLING	1	REPAIR PART
37	40702	MANIFOLD ASSY.	1	710 THRU 730A	79	115J-0606	ELBOW	1	
38	40727	CHECK VALVE	1		80	115V-0606	TEE	1	
39	40729	CHECK VALVE	1		81	115Z-0604	NIPPLE	A.R.	
40	40854	CLAMP	A.R.		82	50A-0410	BOLT	8	
41	41539 X 22	HOSE	1		83	14A-04	LOCKWASHER	10	
42	41539 X 42	HOSE	1		84	30A-04	NUT	2	
					85	50A-0508	BOLT	6	
					86	14A-05	LOCKWASHER	6	
					87	50A-0606	BOLT	4	
					88	50A-0608	BOLT	10	
					89	14A-06	LOCKWASHER	A.R.	
					90	30A-06	NUT	A.R.	
					91		SOLENOID VALVE	REF.	SECTION 6 PAGES 7/8

CHAMPION ROAD MACHINERY

EFFECTIVE SERIAL NUMBERS) 16798 TO 17375 & 17379
 NUMEROS) DE SERIE EFFECTIF(S) TO 17381.
 NUMEROS) DE SERIE EFECTIVO(S) U.S. 2420-2 TO 2571-2

700 SERIES
 SERIE 700

SECTION 6 PAGE 5
 SECCION 6 PAGINA 5



FOR LIST OF PARTS - TURN THIS PAGE

POUR LA LISTE DES PIÈCES - VOIR AU VERSO

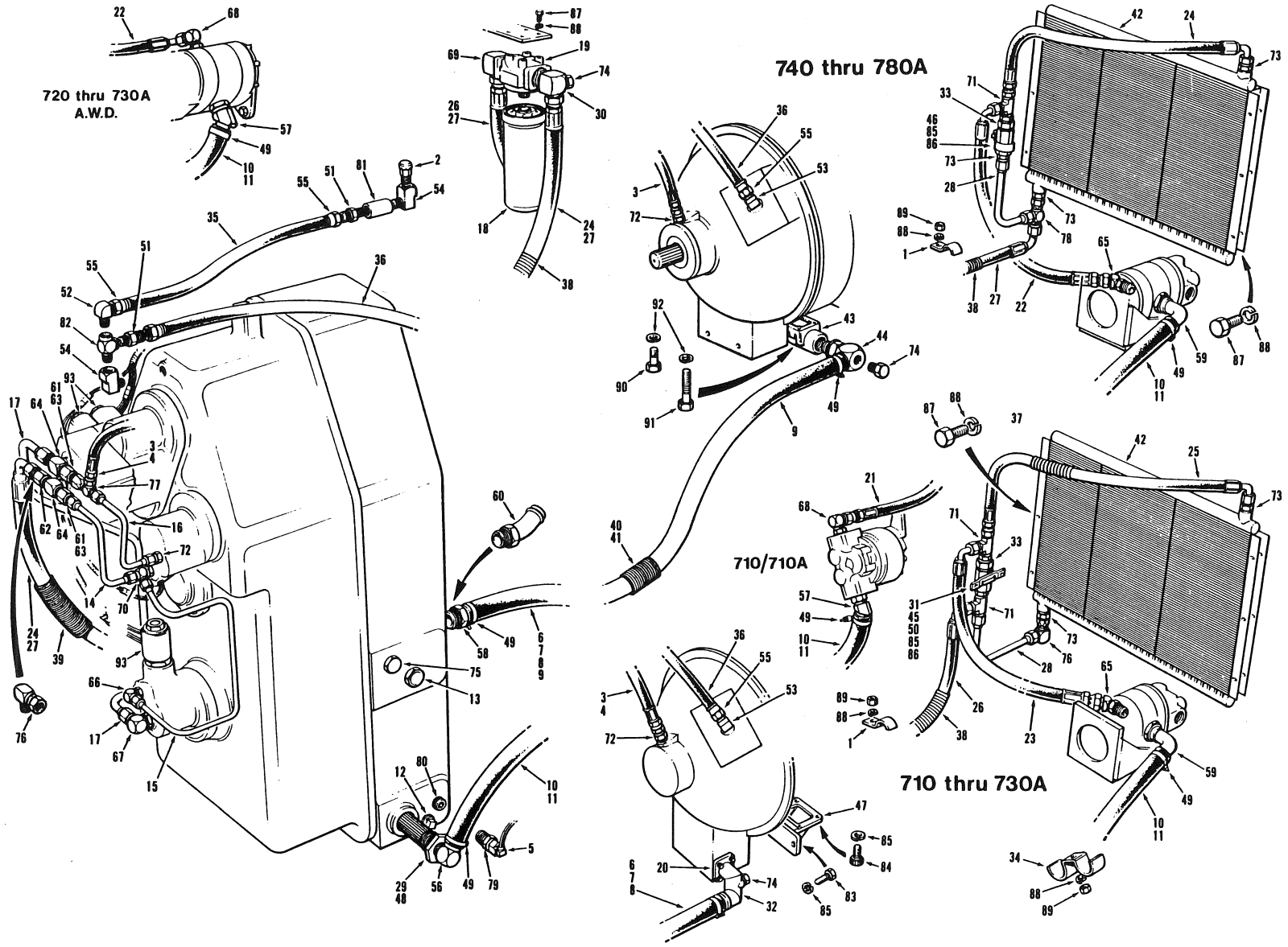
PARA LA LISTA DE LAS PIEZAS - VER AL VERSO

MAY 1987

USE ONLY CHAMPION APPROVED PARTS

SECTION SECCION 6		PAGE PAGINA 6		ISSUE No. N° D'ÉMISSION N° DE EDICION 2 REVISION A		TRANSMISSION HYDRAULIC CIRCUIT			MAY 1987	
No. N° N°	PART No. N° DE PIÈCE N° DE PIEZA	DESCRIPTION DESCRIPTION DESCRIPCION	No. REQ. N° REQ. N° REQ.	REMARKS REMARQUES NOTAS	No. N° N°	PART No. N° DE PIECE N° DE PIEZA	DESCRIPTION DESCRIPTION DESCRIPCION	No. REQ. N° REQ. N° REQ.	REMARKS REMARQUES NOTAS	
1	3180	CLIP	A.R.		45	*12A-143	O RING	1		
2	4341	BREATHER	1		46	22A-200	CLAMP	6		
3	9313 X 53.5	HOSE	1		47	22B-36	CLAMP	1		
4	15828	IMMERSION HEATER	1	OPTIONAL	48	101H-0806	CONNECTOR	2		
5	17156 X 7	HOSE	1		49	101J-0806	ELBOW	1		
6	17156 X 26	HOSE	1	720 & 730	50	*101M-0606	CONNECTOR	1		
7	17156 X 28	HOSE	1	720A & 730A	51	103P-06	ELBOW	2		
8	17156 X 31	HOSE	1	710 & 710A	52	106B-0808	HOSE END	4		
9	17156 X 36	HOSE	1	740 THRU 760A	53	108A-2420	CONNECTOR	1		
10	17156 X 105	HOSE	1	710 THRU 760	54	108B-2420	CONNECTOR	1	A.W.D.	
11	17156 X 118	HOSE	1	710A THRU 760A	55	108C-2424	CONNECTOR	1		
12	27449	MAGNETIC PLUG	1		56	108G-2420	CONNECTOR	1		
13	29751	INDICATOR - OIL LEVEL - C/W GASKET	1		57	110A-1208	REDUCER	2		
14	29752	TUBE	1		58	110AH-1612	ADAPTER	A.R.		
15	29753	TUBE	1		59	110B-12	NUT	2		
16	29754	TUBE	1		60	110Y-1212	TEE	2		
17	29755	TUBE	1		61	111A-1612	CONNECTOR	1		
18	37104	ELEMENT	1		62	111B-0808	CONNECTOR	1		
19	40217	FILTER ASSY. - C/W ITEM 18	1		63	111B-1212	CONNECTOR	1		
20	40303	GASKET	1		64	111B-1612	CONNECTOR	1	A.W.D.	
21	40308 X 34	HOSE	A.R.		65	111B-1620	CONNECTOR	1		
22	40308 X 40	HOSE	1	710 THRU 730A	66	111D-0808	TEE	1		
23	40308 X 49	HOSE	1		67	*111D-1616	TEE	A.R.		
24	*40308 X 52	HOSE	1	710 THRU 730A	68	111E-0808	CONNECTOR	2		
25	40309 X 83	HOSE	A.R.		69	111E-1212	CONNECTOR	1	710/710A	
26	40308 X 95	HOSE	A.R.		70	111E-1616	CONNECTOR	A.R.		
27	40310	TUBE	1		71	111H-08	PLUG	2		
28	40313	STRAINER - C/W ITEM 45	1		72	111H-16	PLUG	1		
29	40402	CONNECTOR	1		73	112B-16	CONNECTOR	A.R.		
30	40423	CLAMP BASE	1		74	112C-08	TEE	1		
31	40701	DRAIN MANIFOLD	1	710 THRU 730A	75	112C-16	TEE	1	740 THRU 760A	
32	40702	MANIFOLD ASSEMBLY	1		76	115B-1208	REDUCER	1	OPTIONAL	
33	40727	CHECK VALVE	1		77	115D-12	PLUG	A.R.		
34	40854	CLAMP	A.R.		78	115G-06	COUPLING	1	REPAIR PART	
35	41539 X 22	HOSE	1		79	115V-0606	TEE	1		
36	41539 X 42	HOSE	1		80	14A-04	LOCKWASHER	1		
37	41622	CONNECTOR TUBE	1		81	30A-04	NUT	2		
38	41647 X 6	HOSE WRAP	A.R.		82	50A-0508	BOLT	6		
39	*41647 X 12	HOSE WRAP	1		83	14A-05	LOCKWASHER	6		
40	41647 X 16	HOSE WRAP	1		84	50A-0606	BOLT	4		
41	41715 X 20	HOSE WRAP	1		85	50A-0608	BOLT	10		
42	42054	OIL COOLER	1		86	14A-06	LOCKWASHER	17		
43	42281	DRAIN	1	740 THRU 760A	87	30A-06	NUT	3		
44	42305	CONNECTOR	1		88	350A-10035	BOLT	2		
					89	350A-10080	BOLT	2		
					90	314A-10	LOCKWASHER	4		
					91		SOLENOID VALVE	REF.	SECT. 6 PAGE 8	

CHAMPION ROAD MACHINERY



EFFECTIVE SERIAL NUMBERS)
 NUMEROSI DE SERIE EFFETTIVI(S)
 U.S. 2572-2 & UP

17376, 17377, 17378,
 17382 UP TO 17932

700 SERIES
 SERIE 700

SECTION
 SECCION

6

PAGE
 PAGINA

5

ISSUE No.
 N° D'ÉMISSION
 N° DE EDICION 3 REVISION A

TRANSMISSION HYDRAULIC CIRCUIT

MAY 1987

FOR LIST OF PARTS - TURN THIS PAGE

POUR LA LISTE DES PIÈCES - VOIR AU VERSO

PARA LA LISTA DE LAS PIEZAS - VER AL VERSO

USE ONLY CHAMPION APPROVED PARTS



SECTION SECCION 6		PAGE PAGINA 6		ISSUE No. N° D'ÉMISSION N° DE EDICION 3 REVISION A		TRANSMISSION HYDRAULIC CIRCUIT				MAY 1987	
No. N° N°	PART No. N° DE PIECE N° DE PIEZA	DESCRIPTION DÉSCRIPTION DESCRIPCION	No. REQ. N° REQ. N° REQ.	REMARKS REMARQUES NOTAS	No. N° N°	PART No. N° DE PIECE N° DE PIEZA	DESCRIPTION DÉSCRIPTION DESCRIPCION	No. REQ. N° REQ. N° REQ.	REMARKS REMARQUES NOTAS		
1	3180	CLIP	2		48	12A-143	O RING	1			
2	4341	BREATHER	1		49	22A-200	CLAMP	4			
3	9313 X 53.5	HOSE	1		50	22B-28	CLAMP	1			
4	14382 X 63	HOSE	1	710/710A	51	101H-0806	CONNECTOR	2			
5	15828	IMMERSION HEATER	1	OPTIONAL	52	101J-0806	ELBOW	1			
6	17156 X 26	HOSE	1	720 & 730	53	*101M-0606	CONNECTOR	1			
7	17156 X 28	HOSE	1	720A, 730A	54	103P-06	ELBOW	2			
8	17156 X 31	HOSE	1	710 & 710A	55	106B-0808	HOSE END	4			
9	17156 X 36	HOSE	1	740 THRU 780A	56	108A-2420	CONNECTOR	1			
10	17156 X 105	HOSE	1	710 THRU 780	57	108B-2420	CONNECTOR	1	710/710A		
11	17156 X 118	HOSE	1	710A THRU 780A	58	108C-2424	CONNECTOR	1	A.W.D.		
12	27449	MAGNETIC PLUG	1		59	108G-2420	CONNECTOR	1	710A-780A		
13	29751	INDICATOR - OIL LEVEL - C/W GASKET	1		60	*108H-2424	CONNECTOR	1	710-780		
14	29752	TUBE	1		61	110A-1208	REDUCER	2			
15	29753	TUBE	1		62	110AH-1612	ADAPTER	2			
16	29754	TUBE	1		63	110B-12	NUT	2			
17	29755	TUBE	1		64	110Y-1212	TEE	2			
18	37104	ELEMENT	1		65	111A-1612	CONNECTOR	1			
19	40217	FILTER ASSEMBLY - C/W ITEM 18	1		66	111B-0808	CONNECTOR	1			
20	40303	GASKET	1		67	111B-1212	CONNECTOR	1			
21	40308 X 18	HOSE	1	710/710A	68	111B-1612	CONNECTOR	1	710/710A A.W.D.		
22	40308 X 34	HOSE	1		69	111B-1620	CONNECTOR	1			
23	40308 X 40	HOSE	1	720-730A	70	111D-0808	TEE	1			
24	40308 X 49	HOSE	A.R.		71	111D-1616	TEE	A.R.			
25	40308 X 52	HOSE	1	710 THRU	72	111E-0808	CONNECTOR	2			
26	40308 X 83	HOSE	1	730A	73	111E-1616	CONNECTOR	A.R.			
27	40308 X 95	HOSE	A.R.		74	111H-08	PLUG	2			
28	40310	TUBE	1		75	111H-16	PLUG	1			
29	40313	STRAINER - C/W ITEM 48	1		76	112B-16	CONNECTOR	A.R.			
30	40402	CONNECTOR	1		77	112C-08	TEE	1			
31	40423	CLAMP BASE	1		78	112C-16	TEE	1	740-780A		
32	40702	MANIFOLD ASSEMBLY	1	710-730A	79	115B-1208	REDUCER	1			
33	40727	CHECK VALVE	1		80	115D-12	PLUG	1			
34	40854	CLAMP	2		81	115G-06	COUPLING	1	REPAIR PART		
35	41539 X 26	HOSE	1		82	115V-0606	TEE	1			
36	41539 X 48	HOSE	1		83	50A-0508	BOLT	4			
37	41646 X 6	HOSE WRAP	A.R.		84	50D-0507	BOLT	6			
38	41647 X 12	HOSE WRAP	2		85	14A-05	LOCKWASHER	10			
39	41647 X 16	HOSE WRAP	1	710/710A	86	30A-05	NUT	2			
40	41715 X 16	HOSE WRAP	1		87	50A-0608	BOLT	10			
41	41715 X 20	HOSE WRAP	1		88	14A-06	LOCKWASHER	16			
42	42054	OIL COOLER	1		89	30A-06	NUT	2			
43	42281	DRAIN	1	740 THRU	90	350A-10035	BOLT	2			
44	42305	ELBOW	1	780A	91	350A-10080	BOLT	2			
45	43389	SPACER	1		92	314A-10	LOCKWASHER	4			
46	*44374	CLAMP	1		93		SOLENOID VALVE	REF.	SECTION 6		
47	*44794	DRAIN MANIFOLD	1	710-730A					PAGE 8		

EFFECTIVE SERIAL NUMBERS) 17933 & UP
 NUMEROS) DE SERIE EFFECTIFS)
 NUMEROS) DE SERIE EFFECTIVOS)

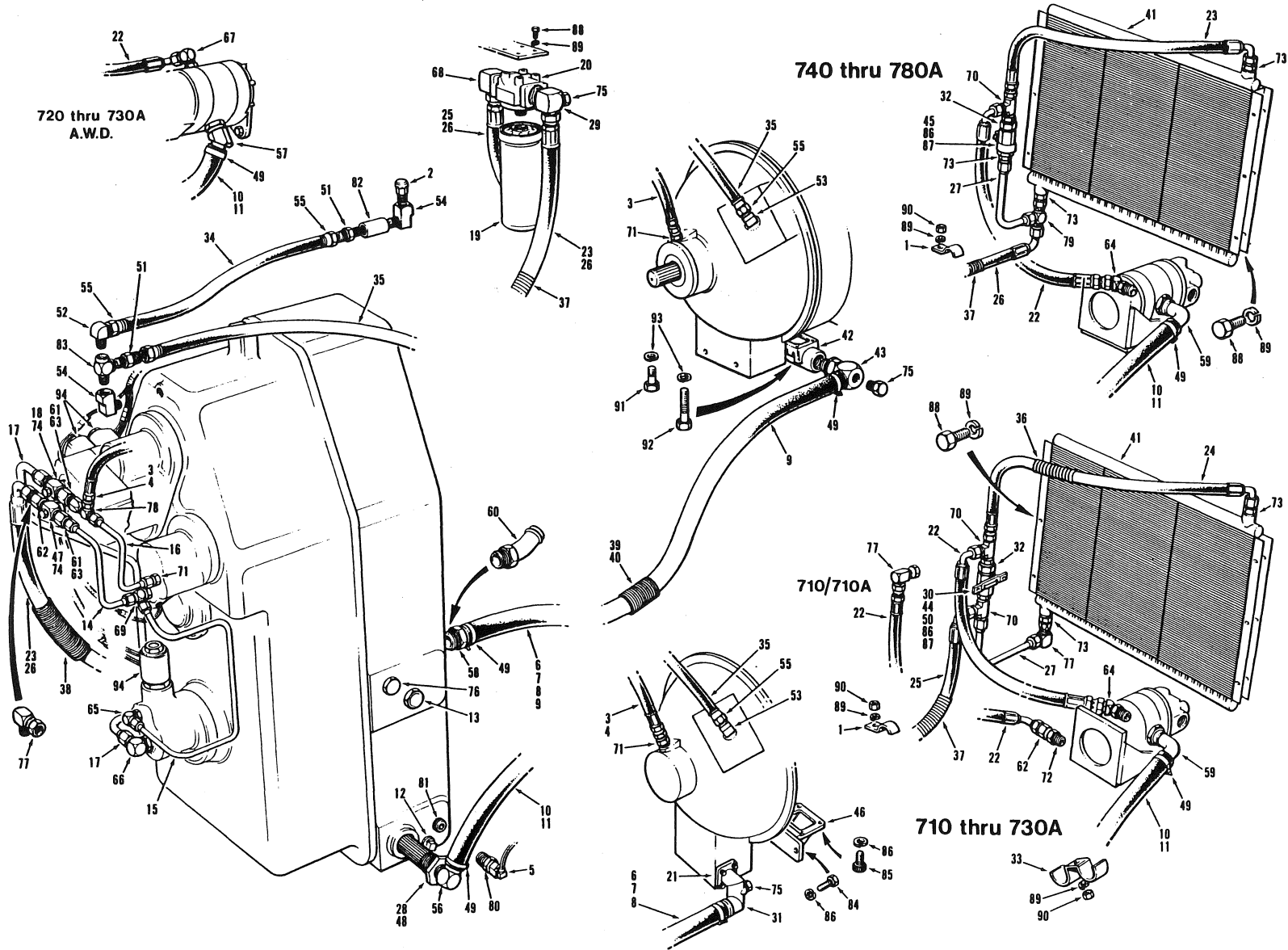
700 SERIES
 SERIE 700

SECTION
 SECCION

6

PAGE
 PAGINA

5



ISSUE No.
 N° D'ÉMISSION
 N° DE EDICION 4

TRANSMISSION HYDRAULIC CIRCUIT

MAY 1987

FOR LIST OF PARTS - TURN THIS PAGE

POUR LA LISTE DES PIÈCES - VOIR AU VERSO

PARA LA LISTA DE LAS PIEZAS - VER AL VERSO

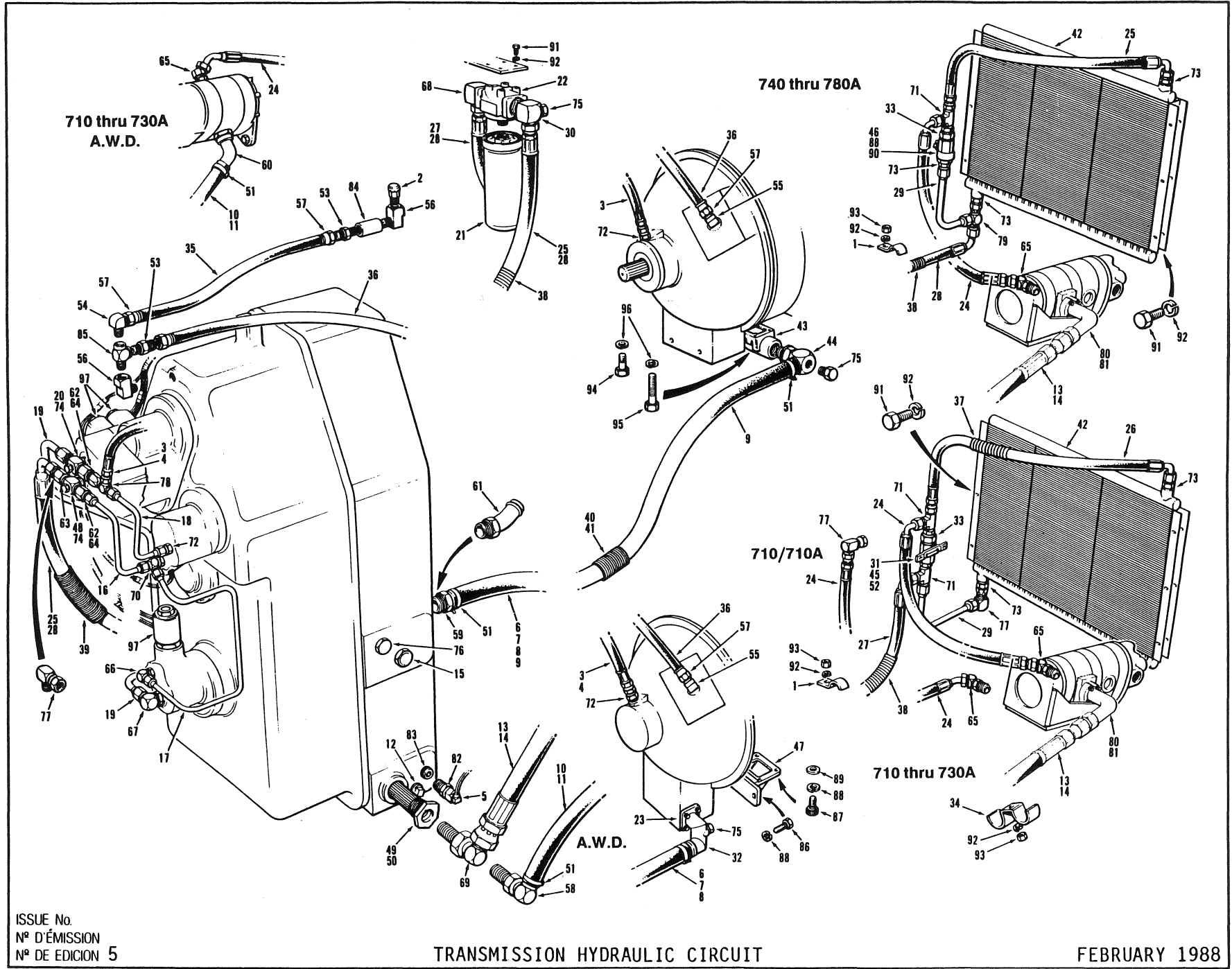
SECTION SECCION 6		PAGE PAGINA 6	ISSUE No. N° D'ÉMISSION N° DE EDICION 4	TRANSMISSION HYDRAULIC CIRCUIT					MAY 1987	
No. N° N°	PART No. N° DE PIÈCE N° DE PIEZA	DESCRIPTION DÉSCRIPTION DESCRIPCION	No. REQ. N° REQ. N° REQ.	REMARKS REMARQUES NOTAS	No. N° N°	PART No. N° DE PIECE N° DE PIEZA	DESCRIPTION DÉSCRIPTION DESCRIPCION	No. REQ. N° REQ. N° REQ.	REMARKS REMARQUES NOTAS	
1	3180	CLIP	1		48	12A-143	O RING	1		
2	4341	BREATHER	1		49	22A-200	CLAMP	4		
3	9313 X 53.5	HOSE	1		50	22B-28	CLAMP	1		
4	14382 X 63	HOSE	1	710/710A	51	101H-0806	CONNECTOR	2		
5	15828	IMMERSION HEATER	1	OPTIONAL	52	101J-0806	ELBOW	1		
6	17156 X 26	HOSE	1	720 & 730	53	*101M-0606	CONNECTOR	1		
7	17156 X 28	HOSE	1	720A, 730A	54	103P-06	ELBOW	2		
8	17156 X 31	HOSE	1	710 & 710A	55	106B-0808	HOSE END	4		
9	17156 X 36	HOSE	1	740 THRU 780A	56	108A-2420	CONNECTOR	1		
10	17156 X 105	HOSE	1	710 THRU 780	57	108B-2420	CONNECTOR	1	A.W.D.	
11	17156 X 118	HOSE	1	710A THRU 780A	58	108C-2424	CONNECTOR	1		
12	27449	MAGNETIC PLUG	1		59	108G-2420	CONNECTOR	1		
13	29751	INDICATOR - OIL LEVEL - C/W GASKET	1		60	*108H-2424	CONNECTOR	1		
14	29752	TUBE	1		61	110A-1208	REDUCER	2		
15	29753	TUBE	1		62	110AH-1612	ADAPTOR	A.R.		
16	29754	TUBE	1		63	110B-12	NUT	2		
17	29755	TUBE	1		64	111A-1612	CONNECTOR	1		
18	*29787	TEE	1		65	111B-0808	CONNECTOR	1		
19	37104	ELEMENT	1		66	111B-1212	CONNECTOR	1		
20	40217	FILTER ASSEMBLY - C/W ITEM 19	1		67	111B-1612	CONNECTOR	1	710/710A A.W.D.	
21	40303	GASKET	1		68	111B-1620	CONNECTOR	1		
22	40308 X 34	HOSE	A.R.		69	111D-0808	TEE	1		
23	40308 X 49	HOSE	1		70	111D-1616	TEE	A.R.		
24	40308 X 52	HOSE	1		71	111E-0808	CONNECTOR	2		
25	40308 X 83	HOSE	1		72	111E-1212	CONNECTOR	1	710/710A	
26	40308 X 95	HOSE	1		73	111E-1616	CONNECTOR	A.R.		
27	40310	TUBE	1		74	111H-04	PLUG	2		
28	40313	STRAINER - C/W ITEM 48	1		75	111H-08	PLUG	2		
29	40402	CONNECTOR	1		76	111H-16	PLUG	1		
30	40423	CLAMP BASE	1		77	112B-16	CONNECTOR	A.R.		
31	40702	MANIFOLD ASSEMBLY	1		78	112C-08	TEE	1		
32	40727	CHECK VALVE	1		79	112C-16	TEE	1	740-780A	
33	40854	CLAMP	2		80	115B-1208	REDUCER	1		
34	41539 X 26	HOSE	1		81	115D-12	PLUG	1		
35	41539 X 48	HOSE	1		82	115G-06	COUPLING	1	REPAIR PART	
36	41646 X 6	HOSE WRAP	1		83	115V-0606	TEE	1		
37	41647 X 12	HOSE WRAP	2		84	50A-0508	BOLT	4		
38	41647 X 16	HOSE WRAP	1		85	50D-0507	BOLT	6		
39	41715 X 16	HOSE WRAP	1	710/710A	86	14A-05	LOCKWASHER	10		
40	41715 X 20	HOSE WRAP	1		87	30A-05	NUT	2		
41	42054	OIL COOLER	1		88	50A-0608	BOLT	10		
42	42281	DRAIN	1		89	14A-06	LOCKWASHER	16		
43	42305	ELBOW	1		90	30A-06	NUT	6		
44	43389	SPACER	1		91	350A-10035	BOLT	2		
45	*44374	CLAMP	1		92	350A-10080	BOLT	2		
46	*44794	DRAIN MANIFOLD	1	710 THRU 730A	93	314A-10	LOCKWASHER	4		
47	*44915	TEE	1		94		SOLENOID VALVE	REF.	SECTION 6 PAGE 8	

CHAMPION ROAD MACHINERY

EFFECTIVE SERIAL NUMBERS) 18467 & UP
 NUMEROS) DE SERIE EFFECTIFS)
 NUMEROS) DE SERIE EFFECTIVOS)

700 SERIES
 SERIE 700

SECTION 6 PAGE 5
 SECTION 6 PAGINA 5



ISSUE No.
 N° D'ÉMISSION
 N° DE EDICION 5

TRANSMISSION HYDRAULIC CIRCUIT

FEBRUARY 1988

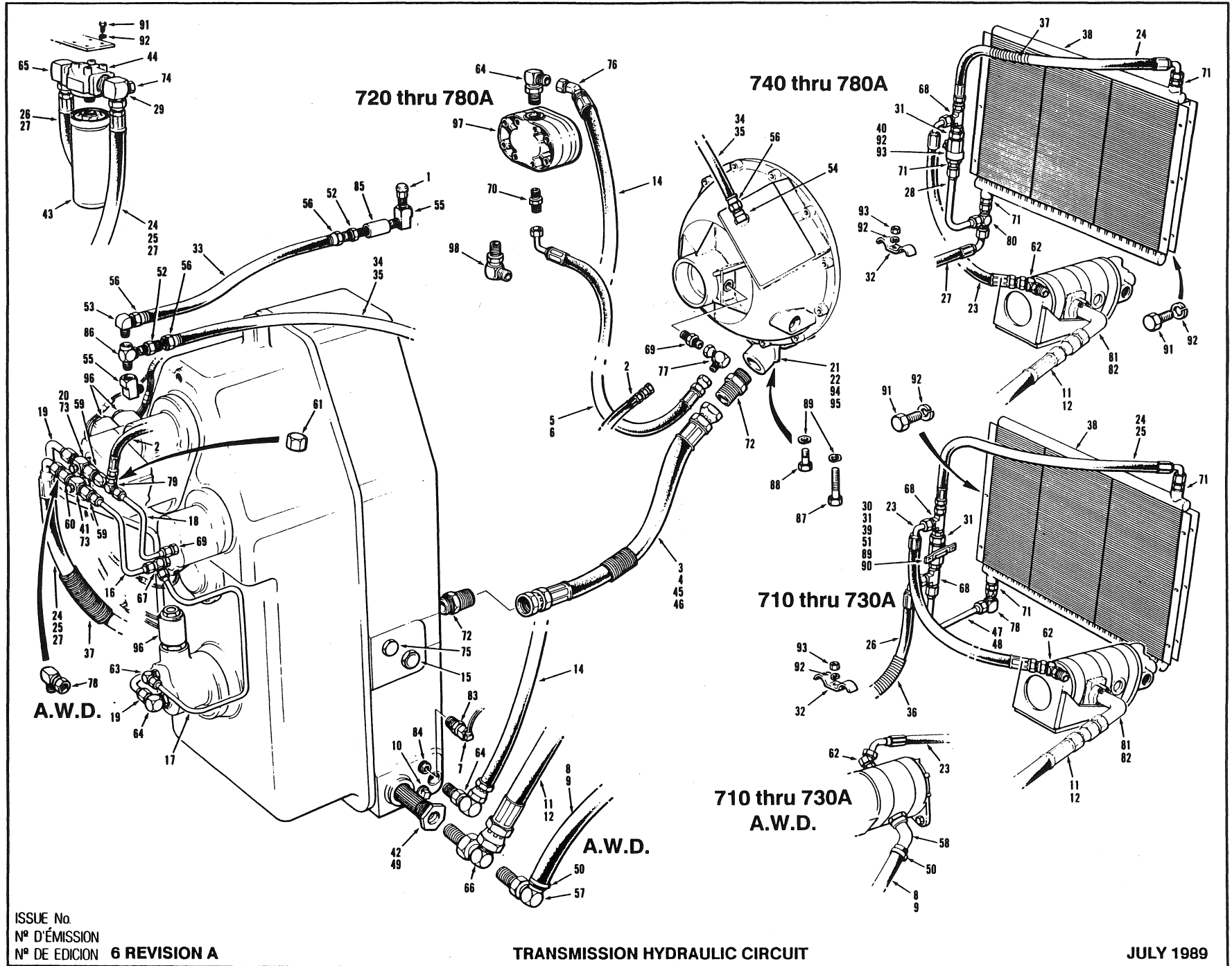
FOR LIST OF PARTS - TURN THIS PAGE

POUR LA LISTE DES PIÈCES - VOIR AU VERSO

PARA LA LISTA DE LAS PIEZAS - VER AL VERSO

USE ONLY CHAMPION APPROVED PARTS

SECTION 6		PAGE 6		ISSUE No. N° D'ÉMISSION 5		TRANSMISSION HYDRAULIC CIRCUIT			FEBRUARY 1988	
No. N° N°	PART No. N° DE PIÈCE N° DE PIEZA	DESCRIPTION DÉSCRIPTION DESCRIPCION	No. REQ. N° REQ. N° REQ.	REMARKS REMARQUES NOTAS	No. N° N°	PART No. N° DE PIECE N° DE PIEZA	DESCRIPTION DÉSCRIPTION DESCRIPCION	No. REQ. N° REQ. N° REQ.	REMARKS REMARQUES NOTAS	
1	3180	CLIP	1		50	12A-143	O RING	1		
2	4341	BREATHER	1		51	22A-200	CLAMP	4		
3	9313 X 53.5	HOSE	1		52	22B-28	CLAMP	1		
4	14382 X 63	HOSE	1	710/710A	53	101H-0806	CONNECTOR	2		
5	15828	IMMERSION HEATER	1	OPTIONAL	54	101J-0806	ELBOW	1		
6	17156 X 26	HOSE	1	720 & 730	55	101M-0606	CONNECTOR	1		
7	17156 X 28	HOSE	1	720A, 730A	56	103P-06	ELBOW	2		
8	17156 X 31	HOSE	1	710 & 710A	57	106B-0808	HOSE END	4		
9	17156 X 36	HOSE	1	740 THRU 780A	58	*108A-2424	CONNECTOR	1	A.W.D.	
10	17156 X 105	HOSE	1	A.W.D.	59	108C-2424	CONNECTOR	1		
11	17156 X 118	HOSE	1	RIGID	60	108H-2420	CONNECTOR	1		
12	27449	MAGNETIC PLUG	1	A.W.D.	61	108H-2424	CONNECTOR	1		
13	*27739 X 105	HOSE	1	ARTIC.	62	110A-1208	REDUCER	2		
14	*27739 X 118	HOSE	1	710 THRU 780	63	110AH-1612	ADAPTOR	A.R.		
15	29751	INDICATOR - OIL LEVEL - C/W GASKET	1	710A THRU 780A	64	110B-12	NUT	2		
16	29752	TUBE	1		65	111A-1612	CONNECTOR	1		
17	29753	TUBE	1		66	111B-0808	CONNECTOR	1		
18	29754	TUBE	1		67	111B-1212	CONNECTOR	1		
19	29755	TUBE	1		68	111B-1620	CONNECTOR	1		
20	29787	TEE	1		69	*111B-2424	CONNECTOR	1		
21	37104	ELEMENT	1		70	111D-0808	TEE	1		
22	40217	FILTER ASSEMBLY - C/W ITEM 21	1		71	111D-1616	TEE	A.R.		
23	40303	GASKET	1		72	111E-0808	CONNECTOR	2		
24	40308 X 34	HOSE	A.R.		73	111E-1616	CONNECTOR	A.R.		
25	40308 X 49	HOSE	1		74	111H-04	PLUG	2		
26	40308 X 52	HOSE	1		75	111H-08	PLUG	2		
27	40308 X 83	HOSE	1		76	111H-16	PLUG	1		
28	40308 X 95	HOSE	1		77	112B-16	CONNECTOR	A.R.		
29	40310	TUBE	1		78	112C-08	TEE	1		
30	40402	CONNECTOR	1		79	112C-16	TEE	1	740-780A	
31	40423	CLAMP BASE	1		80	*114C-2420	FLANGE	1		
32	40702	MANIFOLD ASSEMBLY	1		81	*114D-20	FLANGE	1		
33	40727	CHECK VALVE	1		82	115B-1208	REDUCER	1		
34	40854	CLAMP	2		83	115D-12	PLUG	1		
35	41539 X 26	HOSE	1		84	115G-06	COUPLING	1	REPAIR PART	
36	41539 X 48	HOSE	1		85	115V-0606	TEE	1		
37	41646 X 6	HOSE WRAP	1		86	50A-0508	BOLT	4		
38	41647 X 12	HOSE WRAP	2		87	50D-0507	BOLT	6		
39	41647 X 16	HOSE WRAP	1		88	14A-05	LOCKWASHER	10		
40	41715 X 16	HOSE WRAP	1		89	*14C-05	FLATWASHER	6		
41	41715 X 20	HOSE WRAP	1		90	30A-05	NUT	2		
42	42054	OIL COOLER	1		91	50A-0608	BOLT	10		
43	42281	DRAIN	1		92	14A-06	LOCKWASHER	16		
44	42305	ELBOW	1		93	30A-06	NUT	6		
45	43589	SPACER	1		94	350A-10035	BOLT	2		
46	44374	CLAMP	1		95	350A-10080	BOLT	2		
47	44794	DRAIN MANIFOLD	1	710 THRU 730A	96	314A-10	LOCKWASHER	4		
48	44915	TEE	1		97		SOLENOID VALVE	REF.	SECTION 6 PAGE 8	
49	*46042	STRAINER - C/W ITEM 50	1			NOTE	FA-310 INCLUDES ITEMS - 14, 49, 69, 80 & 81 FA-311 INCLUDES ITEMS - 13, 49, 69, 80 & 81 FA-312 INCLUDES ITEMS - 49, 69, 80, 81 & 27739 X 82 HOSE	REF. REF. REF.		



EFFECTIVE SERIAL NUMBERS)
 NUMEROSI DE SERIE EFFETTIVI(S)
 NUMEROSI DE SERIE EFECTIVOS(S)

Models 710 thru 730A -
 19340 & UP
 Models 740 thru 780A -
 19651 & UP

700 SERIES
SERIE 700

SECTION 6
SECTION 6
PAGE 5
PAGINA 5

ISSUE No.
 N° D'ÉMISSION
 N° DE EDICION **6 REVISION A**

TRANSMISSION HYDRAULIC CIRCUIT

JULY 1989

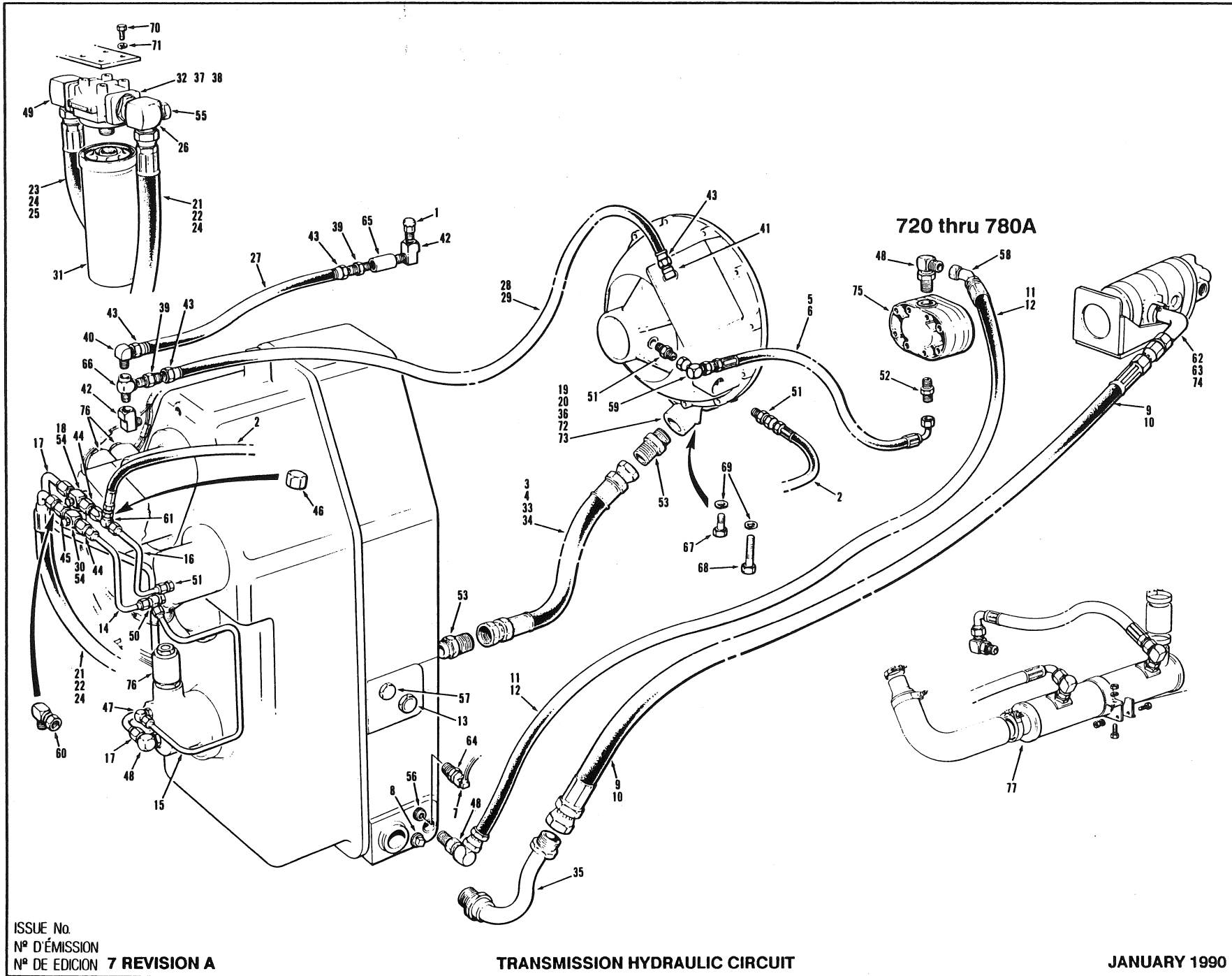
FOR LIST OF PARTS - TURN THIS PAGE

POUR LA LISTE DES PIÈCES - VOIR AU VERSO

PARA LA LISTA DE LAS PIEZAS - VER AL VERSO

USE ONLY **CHAMPION** APPROVED PARTS

SECTION SECCION	6	PAGE PAGINA	6	ISSUE No. N° D'ÉMISSION N° DE EDICION	6 REVISION A	TRANSMISSION HYDRAULIC CIRCUIT			JULY 1989
No. N° N°	PART No. N° DE PIÈCE N° DE PIEZA	DESCRIPTION DÉSCRIPTION DESCRIPCION	No. REQ. N° REQ. N° REQ.	REMARKS REMARQUES NOTAS	No. N° N°	PART No. N° DE PIÈCE N° DE PIEZA	DESCRIPTION DÉSCRIPTION DESCRIPCION	No. REQ. N° REQ. N° REQ.	REMARKS REMARQUES NOTAS
1	4341	BREATHER	1		51	22B-28	CLAMP	1	
2	9313X65	HOSE	1	710/710A	52	101H-0806	CONNECTOR	2	
3	14361X34	HOSE	1	720 thru 780	53	101J-0808	ELBOW	1	
4	14361X36.5	HOSE	1	710	54	101M-0806	CONNECTOR	1	
5	14382X60	HOSE	1		55	103P-06	ELBOW	2	
6	14382X70	HOSE	1		56	106B-0808	HOSE END	4	
7	15828	IMMERSION HEATER	1		57	108A-2424	CONNECTOR	1	A.W.D.
8	17156X105	HOSE	1		58	108H-2420	CONNECTOR	1	
9	17156X118	HOSE	1		59	110AH-0812	ADAPTOR	A.R.	
10	27449	MAGNETIC PLUG	1		60	110AH-1612	ADAPTOR	A.R.	
11	27739X109	HOSE	1	710 thru 780	61	110E-08	CAP	1	720 thru 780A
12	27739X118	HOSE	1	710A thru 780A	62	111A-1612	CONNECTOR	1	
13	28485X92	HOSE	1		63	111B-0808	CONNECTOR	1	
14	28485X105	HOSE	1		64	111B-1212	CONNECTOR	1	
15	29751	INDICATOR - OIL LEVEL - C/W GASKET	1		65	111B-1620	CONNECTOR	1	
16	29752	TUBE	1		66	111B-2424	CONNECTOR	1	
17	29753	TUBE	1		67	111D-0808	TEE	1	
18	29754	TUBE	1		68	111D-1618	TEE	2	
19	29755	TUBE	1		69	111E-0808	CONNECTOR	A.R.	
20	29787	TEE	1		70	111E-0810	CONNECTOR	A.R.	720 thru 730A
21	37665	DRAIN SCOOP	1		71	111E-1616	CONNECTOR	2	
22	37926	OIL SCOOP - ALL MODELS UP TO S/N 19975	1		72	111E-2024	CONNECTOR	2	
		OIL SCOOP	1	19977 & UP	73	111H-04	PLUG	1	
			1	710 thru 730A	74	111H-08	PLUG	1	
	*53709	OIL SCOOP	1	S/N 19976 & UP	75	111H-16	PLUG	1	
			1	740 thru 780A	76	112A-12	CONNECTOR	1	
23	40308X34	HOSE	1		77	112B-08	CONNECTOR	1	
24	40308X49	HOSE	1 or 2		78	112B-16	CONNECTOR	A.R.	
25	40308X52	HOSE	1 or 2		79	112C-08	TEE	1	
26	40308X83	HOSE	1		80	112C-16	TEE	1	740 thru 780A
27	40308X95	HOSE	1 or 2		81	114C-2420	FLANGE	1	
28	40310	TUBE	1	740 thru 780A	82	114D-20	FLANGE	1	
29	40402	CONNECTOR	1		83	115B-1208	REDUCER	1	
30	40423	CLAMP BASE	1		84	115D-12	PLUG	1	
31	40727	CHECK VALVE	1		85	115G-06	COUPLING	1	REPAIR PART
32	40854	CLAMP	2		86	115U-0606	TEE	1	
33	41539X26	HOSE	1		87	50A-0518	BOLT	1	
34	41539X43	HOSE	1	720 thru 780A	88	50A-0507	BOLT	3	
35	41539X48	HOSE	1	710/710A	89	14A-05	LOCKWASHER	10	
36	41646X6	HOSE WRAP	1		90	30A-05	NUT	2	
37	41647X12	HOSE WRAP	1		91	50A-0608	BOLT	10	
38	42054	OIL COOLER	1		92	14A-06	LOCKWASHER	16	
39	43389	SPACER	1		93	30A-06	NUT	6	
40	44374	CLAMP	1		94	53L-1004	SCREW	2	
41	44915	TEE	1		95	14F-10	LOCKWASHER	2	
42	46042	STRAINER - C/W ITEM 49	1		96		SOLENOID VALVE	REF.	SECTION 6
43	49076	ELEMENT	1		97		* CLUTCH PUMP	REF.	PAGE 8
44	49077	FILTER ASSEMBLY - C/W ITEM 43	1		98	*111B-0810	CONNECTOR	1	SECTION 5
45	51511X34	HOSE	1	720A thru 780A					PAGE 10
46	51511X36.5	HOSE	1	710A					740 thru 780A
47	*51595	TUBE	1	710/710A					
48	*51596	TUBE	1	720 thru 730A					
49	12A-143	O RING	1						
50	22A-200	CLAMP	4						



EFFECTIVE SERIAL NUMBERS (NUMEROS DE SÉRIE EFFECTIFS) 19982, 19984, 19985, 19986, 20005, 20104, 20106, 20120
 NUMEROS DE SERIE EFECTIVOS (S) 20226, 20233 to 20264, 20376 to 20382

700 SERIES
 SERIE 700

SECTION 6 PAGE 5
 SECCION 6 PAGINA 5

ISSUE No. N° D'ÉMISSION N° DE EDICION 7 REVISION A

TRANSMISSION HYDRAULIC CIRCUIT

JANUARY 1990

FOR LIST OF PARTS - TURN THIS PAGE

POUR LA LISTE DES PIÈCES - VOIR AU VERSO

PARA LA LISTA DE LAS PIEZAS - VER AL VERSO

USE ONLY CHAMPION ROAD MACHINERY APPROVED PARTS

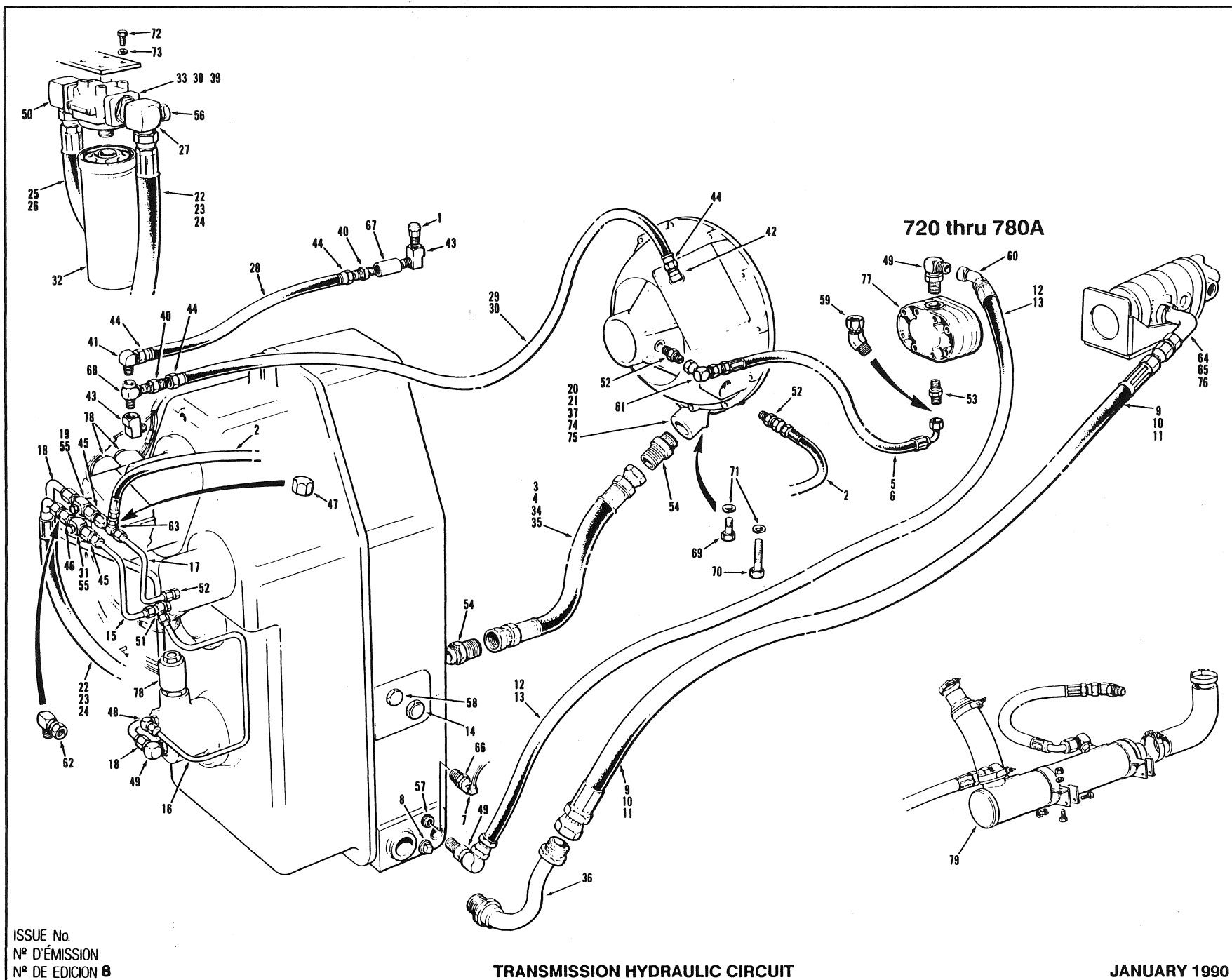
SECTION SECCION		PAGE PAGINA		ISSUE No. N° D'ÉMISSION N° DE EDICION		7 REVISION A		TRANSMISSION HYDRAULIC CIRCUIT			JANUARY 1990	
No. N° N°	PART No. N° DE PIÈCE N° DE PIEZA	DESCRIPTION DESCRIPTION DESCRIPCION	No. REQ. N° REQ. N° REQ.	REMARKS REMARQUES NOTAS	No. N° N°	PART No. N° DE PIECE N° DE PIEZA	DESCRIPTION DESCRIPTION DESCRIPCION	No. REQ. N° REQ. N° REQ.	REMARKS REMARQUES NOTAS			
1	4341	BREATHER	1		50	111D-0808	TEE	1				
2	9313 x 65	HOSE	1	710/710A	51	111E-0808	CONNECTOR	2				
3	14361 x 34	HOSE - used on models 720, 730, 740, 750 & 780	1		52	111E-0810	CONNECTOR	1				
4	14361 x 36.5	HOSE	1	710	53	111E-2024	CONNECTOR	2				
5	14382 x 60	HOSE	1	720 thru 730A	54	111H-04	PLUG	2				
6	14382 x 70	HOSE	1	740 thru 780A	55	111H-08	PLUG	1				
7	15828	IMMERSION HEATER	1		56	111H-12	PLUG	1	710/710A			
8	27449	MAGNETIC PLUG	1		57	111H-16	PLUG	1				
9	27739 x 103	HOSE	1	RIGID FRAME	58	112A-12	CONNECTOR	1				
10	27739 x 112	HOSE	1	ART'D FRAME	59	112B-08	CONNECTOR	1				
11	28485 x 92	HOSE- used on models 720/720A, 730/730A, 740, 750 & 780	1		60	112B-16	CONNECTOR	1	ART'D FRAME			
12	*28485 x 105	HOSE - used on models 740A, 750A & 780A	1		61	112C-08	TEE	1				
13	29751	INDICATOR - OIL LEVEL - C/W GASKET	1		62	114C-2420	CONNECTOR	1				
14	29752	TUBE	1		63	114D-20	FLANGE C/W ITEM 74, NUTS & WASHERS	1				
15	29753	TUBE	1		64	115B-1208	REDUCER	1				
16	29754	TUBE	1		65	115G-06	COUPLING	1				
17	29755	TUBE	1		66	115U-0606	TEE	1				
18	29787	TEE	1		67	50A-0507	BOLT	3				
19	37665	DRAIN SCOOP	1		68	50A-0518	BOLT	1				
20	37926	OIL SCOOP	1	710 thru 730A	69	14A-05	LOCKWASHER	4				
21	40308 x 49	HOSE - used on models 720, 730, 740, 750 & 780	1		70	50A-0607	BOLT	4				
22	40308 x 52	HOSE	1	710	71	14A-06	LOCKWASHER	4				
23	40308 x 85	HOSE	1	710A thru 730A	72	53L-1004	SCREW	2				
24	40308 x 95	HOSE - used on models 710A, 720/720A, 730/730A, 740, 750 & 780	1		73	14F-10	LOCKWASHER	2				
	40308 x 95	- for models 740A, 750A & 780A	2		74	*12A-222	O RING	1				
25	40309 x 85	HOSE	1	710	75		CLUTCH PUMP	REF.	SECTION 5			
26	40402	CONNECTOR	1						PAGE 10			
27	41539 x 26	HOSE	1		76		CONTROL VALVE	REF.	SECTION 6			
28	41539 x 43	HOSE	1	710/710A					PAGE 8			
29	41539 x 48	HOSE	1	720 thru 780A	77	*	OIL COOLER	REF.	SECTION 6			
30	44915	TEE	1						PAGE 18			
31	49076	FILTER ELEMENT	1									
32	49077	FILTER ASSEMBLY with INDICATOR C/W ITEMS 31 & 37	1									
	54175	FILTER ASSEMBLY without INDICATOR C/W ITEMS 31 & 38	1									
33	51511 x 34	HOSE - used on models 720A, 730A, 740A, 750A & 780A	1									
34	51511 x 36.5	HOSE	1	710A								
35	53606	TUBE	1									
36	53709	OIL SCOOP	1	740 thru 780A								
37	54176	FILTER HEAD with INDICATOR	1									
38	54177	FILTER HEAD without INDICATOR	1									
39	101H-0806	CONNECTOR	2									
40	101J-0806	ELBOW	1									
41	101M-0806	CONNECTOR	1									
42	103P-06	ELBOW	2									
43	106B-0808	HOSE END	4									
44	110AH-0812	ADAPTER	1									
45	110AH-1612	ADAPTER	1									
46	110E-08	CAP	1	720 thru 780A								
47	111B-0808	CONNECTOR	1									
48	111B-1212	CONNECTOR	3									
49	111B-1620	CONNECTOR	1									

EFFECTIVE SERIAL NUMBERS)
NUMEROSI DE SERIE EFFETTIVI(S)
NUMEROSI DE SERIE EFECTIVOS(S)

20227 to 20233, 20265 to
20375, 20383 & UP

700 SERIES
SERIE 700

SECTION 6
SECCION 6
PAGE 5
PAGINA 5



ISSUE No.
Nº D'ÉMISSION
Nº DE EDICION 8

TRANSMISSION HYDRAULIC CIRCUIT

JANUARY 1990

FOR LIST OF PARTS - TURN THIS PAGE

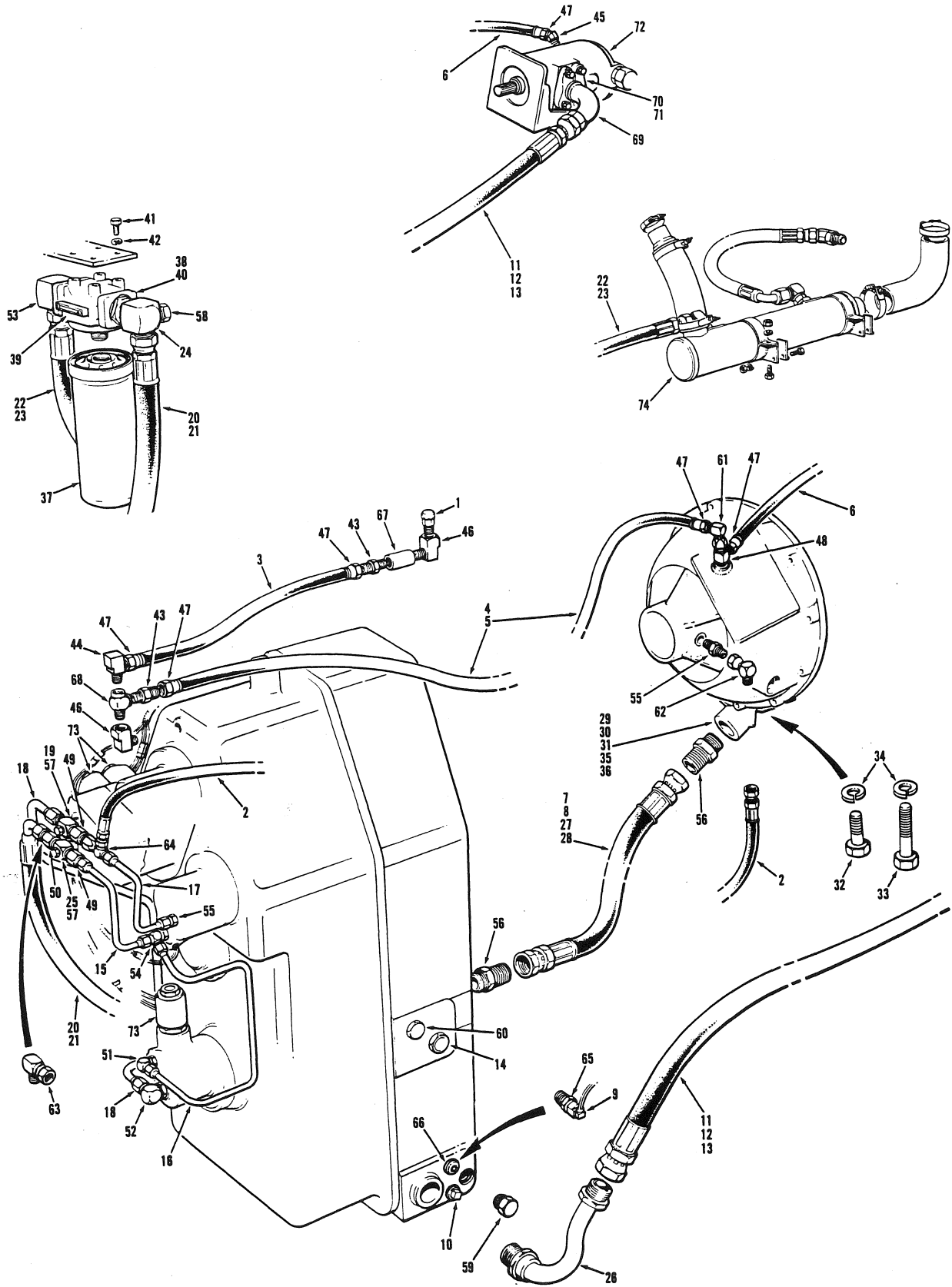
POUR LA LISTE DES PIÈCES - VOIR AU VERSO

PARA LA LISTA DE LAS PIEZAS - VER AL VERSO

USE ONLY CHAMPION ROAD MACHINERY APPROVED PARTS

SECTION SECCION		PAGE PAGINA		ISSUE No. N° D'ÉMISSION N° DE EDICION		TRANSMISSION HYDRAULIC CIRCUIT				JANUARY 1990	
No. N° N°	PART No. N° DE PIÈCE N° DE PIEZA	DESCRIPTION DÉSCRIPTION DESCRIPCION	No. REQ. N° REQ. N° REQ.	REMARKS REMARQUES NOTAS	No. N° N°	PART No. N° DE PIECE N° DE PIEZA	DESCRIPTION DÉSCRIPTION DESCRIPCION	No. REQ. N° REQ. N° REQ.	REMARKS REMARQUES NOTAS		
1	4341	BREATHER	1		50	111B-1620	CONNECTOR	1			
2	9313 x 65	HOSE	1	710/710A	51	111D-0808	TEE	1			
3	14361 x 34	HOSE - used on models 720, 730, 740, 750 & 780	1		52	111E-0808	CONNECTOR	2			
4	14361 x 36.5	HOSE	1	710	53	111E-0810	CONNECTOR	1			
5	14382 x 60	HOSE	1	720 thru 730A	54	111E-2024	CONNECTOR	2			
6	14382 x 70	HOSE	1	740 thru 780A	55	111H-04	PLUG	2			
7	15828	IMMERSION HEATER	1		56	111H-08	PLUG	1			
8	27449	MAGNETIC PLUG	1		57	111H-12	PLUG	1	710/710A		
9	27739 x 103	HOSE - used on models 710, 720, 730, 740, 750 & 780	1		58	111H-16	PLUG	1			
10	*27739 x 109	HOSE - used on models 710A, 720A, 730A, 740A, 750A & 780A	1		59	112A-08	CONNECTOR	1	720 thru 730A		
11	27739 x 112	HOSE	1	A.W.D.	60	112A-12	CONNECTOR	1			
12	28485 x 92	HOSE - used on models 720/720A, 730/730A, 740, 750 & 780	1		61	112B-08	CONNECTOR	1			
13	28485 x 105	HOSE - used on models 740A, 750A & 780A	1		62	112B-16	CONNECTOR	1	ART'D FRAME		
14	29751	INDICATOR - OIL LEVEL - C/W GASKET	1		63	112C-08	TEE	1			
15	29752	TUBE	1		64	114C-2420	CONNECTOR	1			
16	29753	TUBE	1		65	114D-20	FLANGE C/W ITEMS 76, NUTS & WASHERS	1			
17	29754	TUBE	1		66	115B-1208	REDUCER	1			
18	29755	TUBE	1		67	115G-06	COUPLING	1			
19	29787	TEE	1		68	115V-0606	TEE	1			
20	37665	DRAIN SCOOP	1		69	50A-0507	BOLT	3			
21	37928	OIL SCOOP	1	710 thru 730A	70	50A-0518	BOLT	1			
22	40308 x 49	HOSE - used on models 720, 730, 740, 750 & 780	1		71	14A-05	LOCKWASHER	4			
23	40308 x 52	HOSE	1	710	72	50A-0607	BOLT	4			
24	40308 x 95	HOSE - used on models 710A, 720A, 730A, 740A, 750A & 780A	1		73	14A-06	LOCKWASHER	4			
25	*40309 x 77	HOSE	1	710 thru 730A	74	53L-1004	SCREW	2			
26	40309 x 85	HOSE	1	740 thru 780A	75	14F-10	LOCKWASHER	2			
27	40402	CONNECTOR	1		76	*12A-222	O RING	1			
28	41539 x 26	HOSE	1		77		CLUTCH PUMP	REF.	SECTION 5 PAGE 10		
29	41539 x 43	HOSE	1	710/710A	78		CONTROL VALVE	REF.	SECTION 6 PAGE 8		
30	41539 x 48	HOSE	1	720 thru 780A	79		OIL COOLER	REF.	SECTION 6 PAGE 18		
31	44915	TEE	1								
32	49076	FILTER ELEMENT	1								
33	49077	FILTER ASSEMBLY with INDICATOR C/W ITEMS 32 & 38	1								
	54175	FILTER ASSEMBLY without INDICATOR C/W ITEMS 32 & 39	1								
34	51511 x 34	HOSE - used on models 720A, 730A, 740A, 750A & 780A	1								
35	51511 x 36.5	HOSE	1	710A							
36	53606	TUBE	1								
37	53709	OIL SCOOP	1	740 thru 780A							
38	54176	FILTER HEAD with INDICATOR	1								
39	54177	FILTER HEAD without INDICATOR	1								
40	101H-0806	CONNECTOR	2								
41	101J-0806	ELBOW	1								
42	101M-0806	CONNECTOR	1								
43	103P-06	ELBOW	2								
44	106B-0808	HOSE END	4								
45	110AH-0812	ADAPTER	1								
46	110AH-1612	ADAPTER	1								
47	110E-08	CAP	1	720 thru 780A							
48	111B-0808	CONNECTOR	1								
49	111B-1212	CONNECTOR	3								

CHAMPION ROAD MACHINERY



AUGUST 1990

TRANSMISSION HYDRAULIC CIRCUIT

FOR LIST OF PARTS - TURN THIS PAGE
 POUR LA LISTE DES PIÈCES - VOIR AU VERSO
 PARA LA LISTA DE LAS PIEZAS - VER AL VERSO

ISSUE No.
 N° D'ÉMISSION
 N° DE EDICIÓN 9

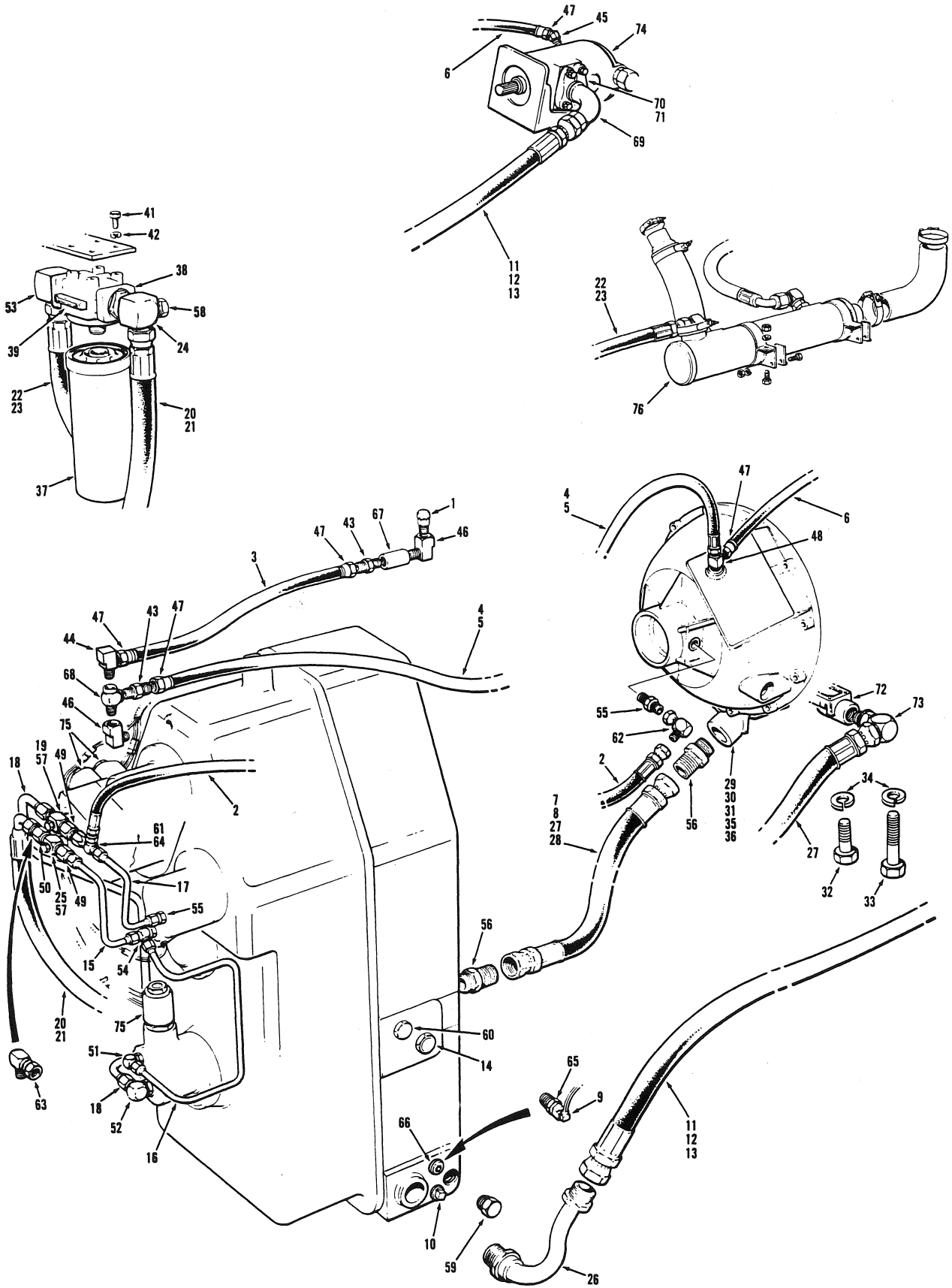
EFFECTIVE SERIAL NUMBER(S) 20805, 20806, 20808 & UP
 NUMERO(S) DE SÉRIE EFFECTIF(S)
 NUMERO(S) DE SERIE EFECTIVO(S)

700 SERIES
 SERIE 700

SECTION 6 PAGE 5
 SECCION 6 PAGINA 5

SECTION SECCION		PAGE PAGINA		ISSUE No. N° D'ÉMISSION N° DE EDICION		TRANSMISSION HYDRAULIC CIRCUIT				AUGUST 1990	
No. N° N°	PART No. N° DE PIÈCE N° DE PIEZA	DESCRIPTION DESCRIPTION DESCRIPCION	No. REQ. N° REQ. N° REQ.	REMARKS REMARQUES NOTAS	No. N° N°	PART No. N° DE PIECE N° DE PIEZA	DESCRIPTION DESCRIPTION DESCRIPCION	No. REQ. N° REQ. N° REQ.	REMARKS REMARQUES NOTAS		
1	4341	BREATHER	1		41	50A-0607	BOLT	4			
2	9313 x 65	HOSE	1		42	14A-06	LOCKWASHER	4			
3	*9480 x 26	HOSE	1		43	*101H-0606	CONNECTOR	2			
4	*9480 x 43	HOSE	1	720 thru 780A	44	*101J-0606	ELBOW	1			
5	*9480 x 48	HOSE	1	710/710A	45	*101M-0606	CONNECTOR	1			
6	*9480 x 88	HOSE	1		46	103P-06	ELBOW	2			
7	14381 x 34	HOSE	1	720, 730, 740, 750 & 780	47	*106B-0606	HOSE END	6			
8	14381 x 36.5	HOSE	1	710	48	*110AD-0606	TEE	1			
9	15828	IMMERSION HEATER	1		49	110AH-0812	ADAPTER	1			
10	27449	MAGNETIC PLUG	1		50	110AH-1612	ADAPTER	1			
11	27739 x 103	HOSE	1	710, 720, 730, 740, 750 & 780	51	111B-0808	CONNECTOR	1			
12	27739 x 109	HOSE	1	710A, 720A, 730A, 740A, 750A & 780A	52	111B-1212	CONNECTOR	1			
13	27739 x 112	HOSE	1	A.W.D.	53	111B-1620	CONNECTOR	1			
14	29751	INDICATOR - OIL LEVEL - C/W GASKET	1		54	111D-0808	TEE	1			
15	29752	TUBE	1		55	111E-0808	CONNECTOR	2			
16	29753	TUBE	1		56	111E-2024	CONNECTOR	2			
17	29754	TUBE	1		57	111H-04	PLUG	2			
18	29755	TUBE	1		58	111H-08	PLUG	1			
19	29787	TEE	1		59	111H-12	PLUG	1			
20	40308 x 52	HOSE	1	710, 720, 730, 740, 750 & 780	60	111H-16	PLUG	1			
21	40308 x 95	HOSE	1	710A, 720A, 730A, 740A, 750A & 780A	61	112B-06	CONNECTOR	1			
22	40309 x 77	HOSE	1	710 thru 730A	62	112B-08	CONNECTOR	1			
23	40309 x 85	HOSE	1	740 thru 780A	63	112B-16	CONNECTOR	1	ARTICULATED FRAMES		
24	40402	CONNECTOR	1		64	112C-08	TEE	1			
25	44915	TEE	1		65	115B-1208	REDUCER	1			
26	53606	TUBE	1		66	*115D-12	PLUG	1			
27	51511 x 34	HOSE	1	720A thru 780A	67	115G-06	COUPLING	1	REPAIR PART		
28	51511 x 36.5	HOSE	1	710A	68	115V-0606	TEE	1			
29	37926	OIL SCOOP	1	710 thru 730A	69	*114C-2424	CONNECTOR	1			
30	53709	OIL SCOOP	1	740 thru 780A	70	*56919	FLANGE KIT - INCLUDES ITEMS 71, BOLTS & LOCKWASHERS	1			
31	*56808	DRAIN SCOOP	1		71	*12A-225	O RING	1			
32	50A-0507	BOLT	3		72		STEERING/TRANSMISSION PUMP	REF.	SECTION 4 PAGE 41		
33	50A-0518	BOLT	1		73		CONTROL VALVE	REF.	SECTION 6 PAGE 7		
34	14A-05	LOCKWASHER	4		74		OIL COOLER	REF.	SECTION 6 PAGE 17		
35	53L-1004	SCREW	2								
36	14F-10	LOCKWASHER	2								
	49077	FILTER ASSEMBLY - INDICATOR C/W ITEMS 37, 38 & 39	1								
37	49076	ELEMENT	1								
38	54176	FILTER HEAD - INDICATOR	1								
39	*56824	BY-PASS INDICATOR	1								
	54175	FILTER ASSEMBLY - NO INDICATOR C/W ITEMS 37 & 40	1								
40	54177	FILTER HEAD - NO INDICATOR	1								

CHAMPION ROAD MACHINERY



EFFECTIVE SERIAL NUMBER(S) 21254 to 21910
 NUMERO(S) DE SÉRIE EFFECTIF(S)
 NUMERO(S) DE SÉRIE EFECTIVO(S)

700 SERIES
 SERIE 700

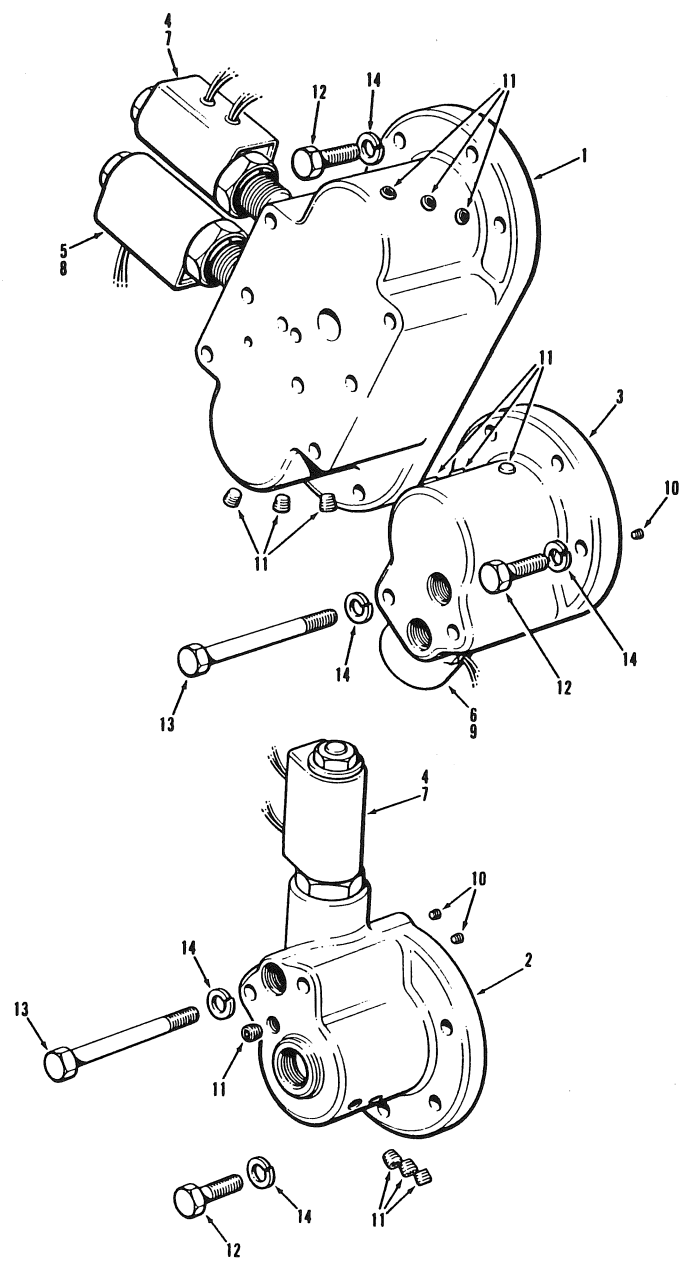
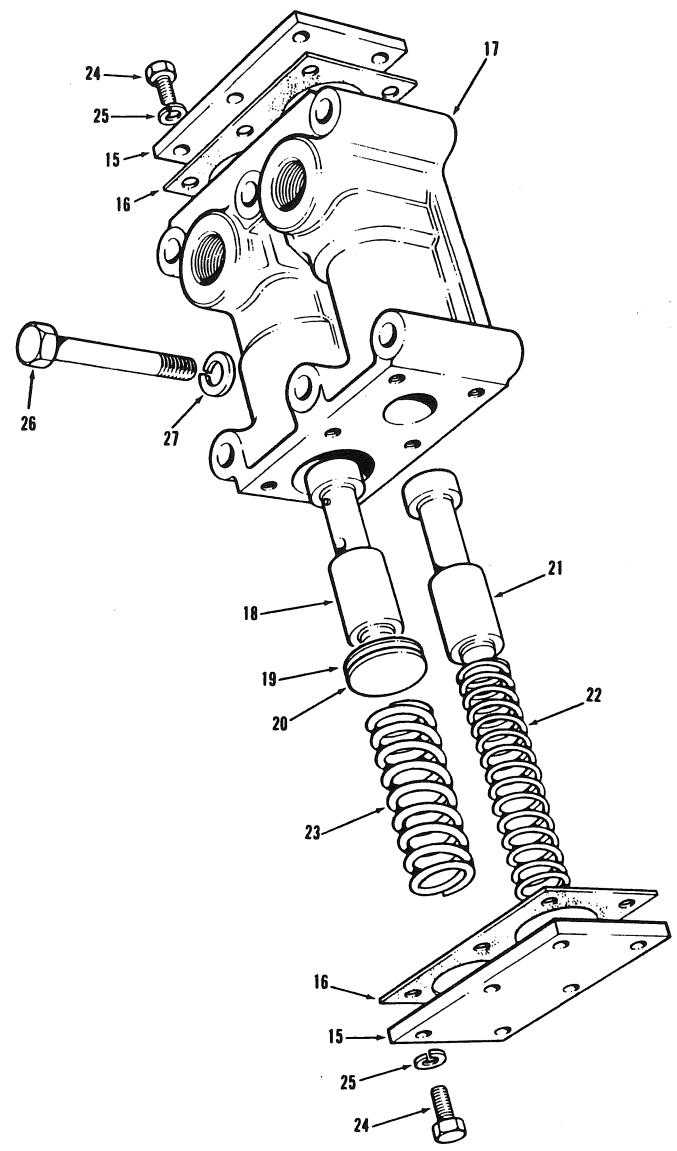
SECTION 6 PAGE 5
 SECCION 6 PAGINA 5

SECTION 6		PAGE 6		ISSUE No. 10 REVISION B		TRANSMISSION HYDRAULIC CIRCUIT			MAY 1992	
No. N° N°	PART No. N° DE PIÈCE N° DE PIEZA	DESCRIPTION DESCRIPTION DESCRIPCION	No. REQ. N° REQ. N° REQ.	REMARKS REMARQUES NOTAS	No. N° N°	PART No. N° DE PIECE N° DE PIEZA	DESCRIPTION DESCRIPTION DESCRIPCION	No. REQ. N° REQ. N° REQ.	REMARKS REMARQUES NOTAS	
1	4341	BREATHER	1		41	50A-0608	BOLT	4		
2	28485 x 62	HOSE	1		42	14A-08	LOCKWASHER	4		
3	9480 x 26	HOSE	1		43	101H-0608	CONNECTOR	2		
4	9480 x 43	HOSE	1	720 thru 780A	44	101J-0608	ELBOW	1		
5	9480 x 48	HOSE	1	710/710A	45	101M-0608	CONNECTOR	1		
6	9480 x 96	HOSE	1		46	103P-06	ELBOW	2		
7	14361 x 34	HOSE	1	720, 730, 740, 750 & 780	47	106B-0608	HOSE END	6		
					48	101L-0608	TEE	1		
8	14361 x 36.5	HOSE	1	710	49	110AH-1208	ADAPTER	1		
9	15828	IMMERSION HEATER	1		50	110AH-1612	ADAPTER	1		
10	27449	MAGNETIC PLUG	1		51	111B-0808	CONNECTOR	1		
11	27739 x 103	HOSE	1	710, 720, 730, 740, 750 & 780	52	111B-1212	CONNECTOR	1		
					53	111B-1620	CONNECTOR	1		
12	27739 x 109	HOSE	1	710A, 720A, 730A, 740A, 750A & 780A	54	111D-0808	TEE	1		
					55	111E-1212	CONNECTOR	2		
					56	111E-2024	CONNECTOR	1	750 thru 780A	
13	27739 x 112	HOSE	1	A.W.D.	57	111H-04	PLUG	2	710 thru 740A	
14	29751	INDICATOR - OIL LEVEL - C/W GASKET	1		58	111H-08	PLUG	1		
15	29752	TUBE	1		59	111H-12	PLUG	1		
16	29753	TUBE	1		60	111H-16	PLUG	1		
17	29754	TUBE	1	S/N 21254 to 21449	61	110AH-1208	CONNECTOR	1		
17	*58624	TUBE	1	S/N 21450 to 21910	62	112B-1212	CONNECTOR	1		
18	29755	TUBE	1		63	112B-16	CONNECTOR	1	Articulated Frames	
19	29787	TEE	1		64	112C-08	TEE	1		
20	40308 x 54	HOSE	1	710	65	115B-1208	REDUCER	1		
	40308 x 52	HOSE	1	720, 730, 740, 750 & 780	66	115D-12	PLUG	1		
					67	115G-06	COUPLING	1	Repair Part	
21	40308 x 85	HOSE	1	710A, 720A, 730A, 740A, 750A & 780A	68	115V-0606	TEE	1		
					69	114C-2424	CONNECTOR	1		
22	40309 x 77	HOSE	1	710 thru 730A	70	56919	FLANGE KIT - INCLUDES ITEMS 71, BOLTS & LOCKWASHERS	1		
23	40309 x 85	HOSE	1	740 thru 780A	71	12A-225	O-RING	1		
24	40402	CONNECTOR	1		72	56065	DRAIN SCOOP	1	740 thru 780A	
25	44915	TEE	1		73	111B-2024	CONNECTOR	1		
26	53606	TUBE	1		74		STEERING/TRANSMISSION PUMP	Ref.	Sect 4 Pg 41	
27	59476 x 34	HOSE	1	720A thru 780A	75		CONTROL VALVE	Ref.	Sect 6 Pg 7	
28	59476 x 36.5	HOSE	1	710A	76		OIL COOLER	Ref.	Sect 6 Pg 17	
29	37926	OIL SCOOP	1	710 thru 730A						
30	53709	OIL SCOOP	1	740 thru 780A						
31	56808	DRAIN SCOOP	1	710 thru 730A						
32	50A-0507	BOLT	3							
33	50A-0518	BOLT	1							
34	14A-05	LOCKWASHER	4							
35	53L-1004	SCREW	2							
36	14F-10	LOCKWASHER	2							
	49077	FILTER ASSEMBLY C/W ITEMS 37, 38 & 39	1							
37	49076	ELEMENT	1							
38	54176	FILTER HEAD	1							
39	56824	BY-PASS INDICATOR	1							

EFFECTIVE SERIAL NUMBERS) 16224, 16245 & UP
 NUMEROS) DE SERIE EFFECTIFS)
 NUMEROS) DE SERIE EFFECTIVOS)
 U.S. 2021-2 & UP

700 SERIES
 SERIE 700

SECTION 6 PAGE
 SECCION 6 PAGINA 7



ISSUE No.
 N° D'ÉMISSION
 N° DE EDICION 1 REVISION B

CONTROL VALVES

SEPTEMBER 1985

FOR LIST OF PARTS - TURN THIS PAGE POUR LA LISTE DES PIÈCES - VOIR AU VERSO PARA LA LISTA DE LAS PIEZAS - VER AL VERSO

USE ONLY CHAMPION ROAD MACHINERY APPROVED PARTS

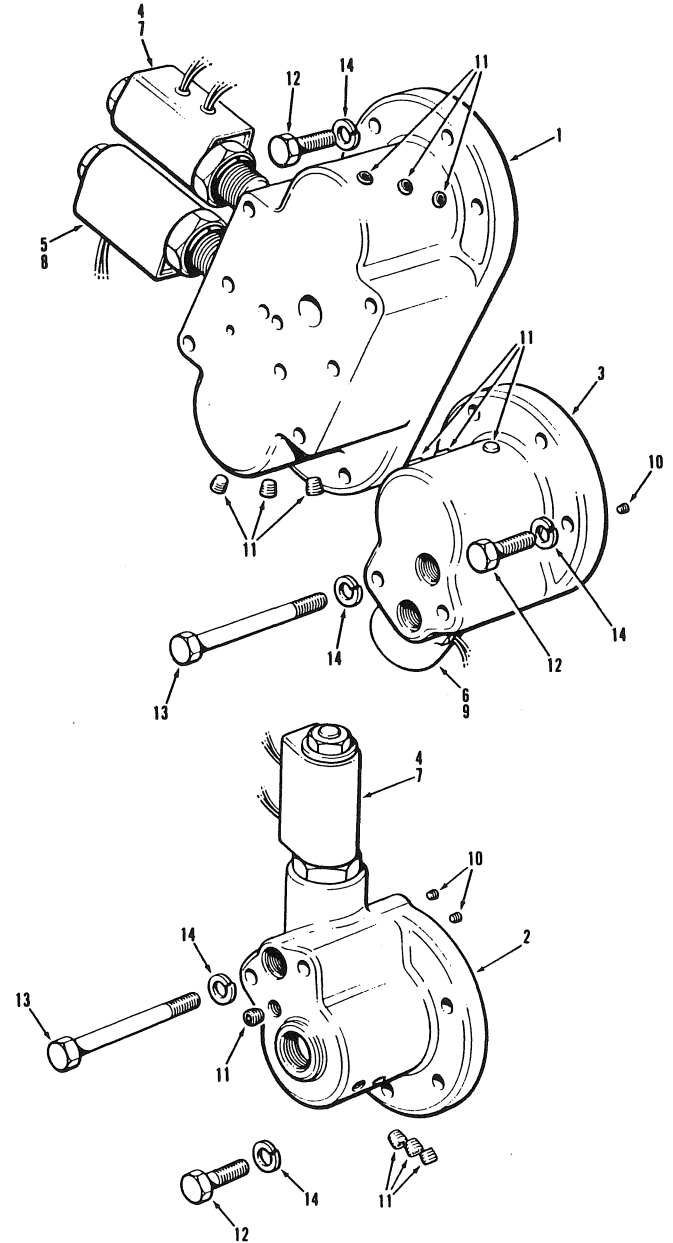
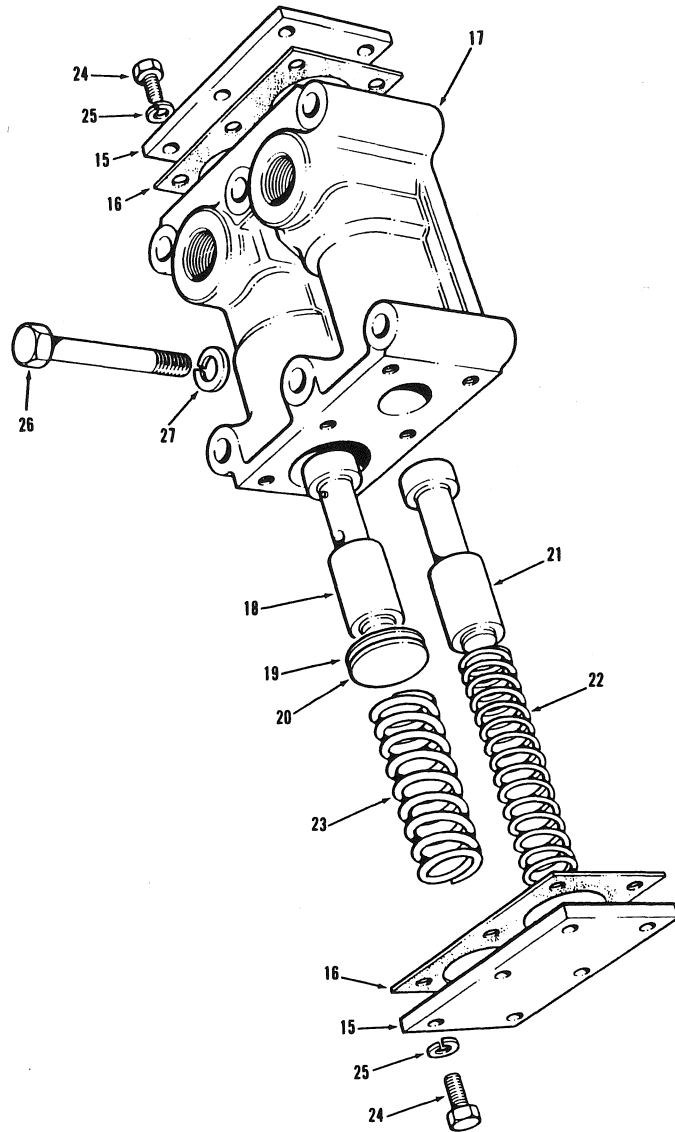
SECTION SECCION		PAGE PAGINA	ISSUE No. N° D'ÉMISSION N° DE EDICION	CONTROL VALVES		SEPTEMBER 1985			
6		8	1 REVISION B						
No. N° N°	PART No. N° DE PIÈCE N° DE PIEZA	DESCRIPTION DESCRIPTION DESCRIPCION	No. REQ. N° REQ. N° REQ.	REMARKS REMARQUES NOTAS	No. N° N°	PART No. N° DE PIÈCE N° DE PIEZA	DESCRIPTION DESCRIPTION DESCRIPCION	No. REQ. N° REQ. N° REQ.	REMARKS REMARQUES NOTAS
1	29702	CAP - MAIN CONTROL VALVE	1						
2	29703	CAP - RANGE CONTROL VALVE	1						
3	29704	CAP - REVERSE CONTROL VALVE	1						
4	29747	SOLENOID VALVE ASSY. - INCLUDES ITEM 7	2						
5	29748	SOLENOID VALVE ASSY. - INCLUDES ITEM 8	1						
6	29749	SOLENOID VALVE ASSY. - INCLUDES ITEM 9	1						
7	37105	COIL	2						
8	37106	COIL	1						
9	37107	COIL	1						
10	115D-01	PLUG	3						
11	115D-02	PLUG	13						
12	50A-0610	BOLT	14						
13	50A-0632	BOLT	4						
14	14A-06	LOCKWASHER	18						
	41251	O RING KIT FOR ITEMS 4 & 5	A.R.						
	41252	O RING KIT FOR ITEM 6	A.R.						
		REGULATOR VALVE INSTALLATION							
	29862	REGULATOR VALVE ASSY. - INCLUDES ITEMS 15 TO 25	1						
15	11212	VALVE COVER	2						
16	11213	GASKET	2						
17	11214	VALVE BODY	1						
18	11215	VALVE ASSY.	1						
19	11216	SPACER - THIN	A.R.						
20	11217	SPACER - THICK	A.R.						
21	11221	LUBE VALVE	1						
22	37213	SPRING - LUBE VALVE	1						
23	41094	SPRING - MAIN VALVE	1						
24	50A-0506	BOLT	12						
25	14A-05	LOCKWASHER	12						
26	51A-0652	BOLT	6						
27	14A-06	LOCKWASHER	6						

EFFECTIVE SERIAL NUMBERS)
 NUMEROSI DE SERIE EFFECTIVIS)
 NUMEROSI DE SERIE EFFECTIVOS)

18179, 18211 & UP

700 SERIES
 SERIE 700

SECTION 6 PAGE 7
 SECTION 6 PAGE 7



ISSUE No.
 N° D'ÉMISSION
 N° DE EDICION 2 REVISION A

CONTROL VALVES

JUNE 1989

FOR LIST OF PARTS - TURN THIS PAGE

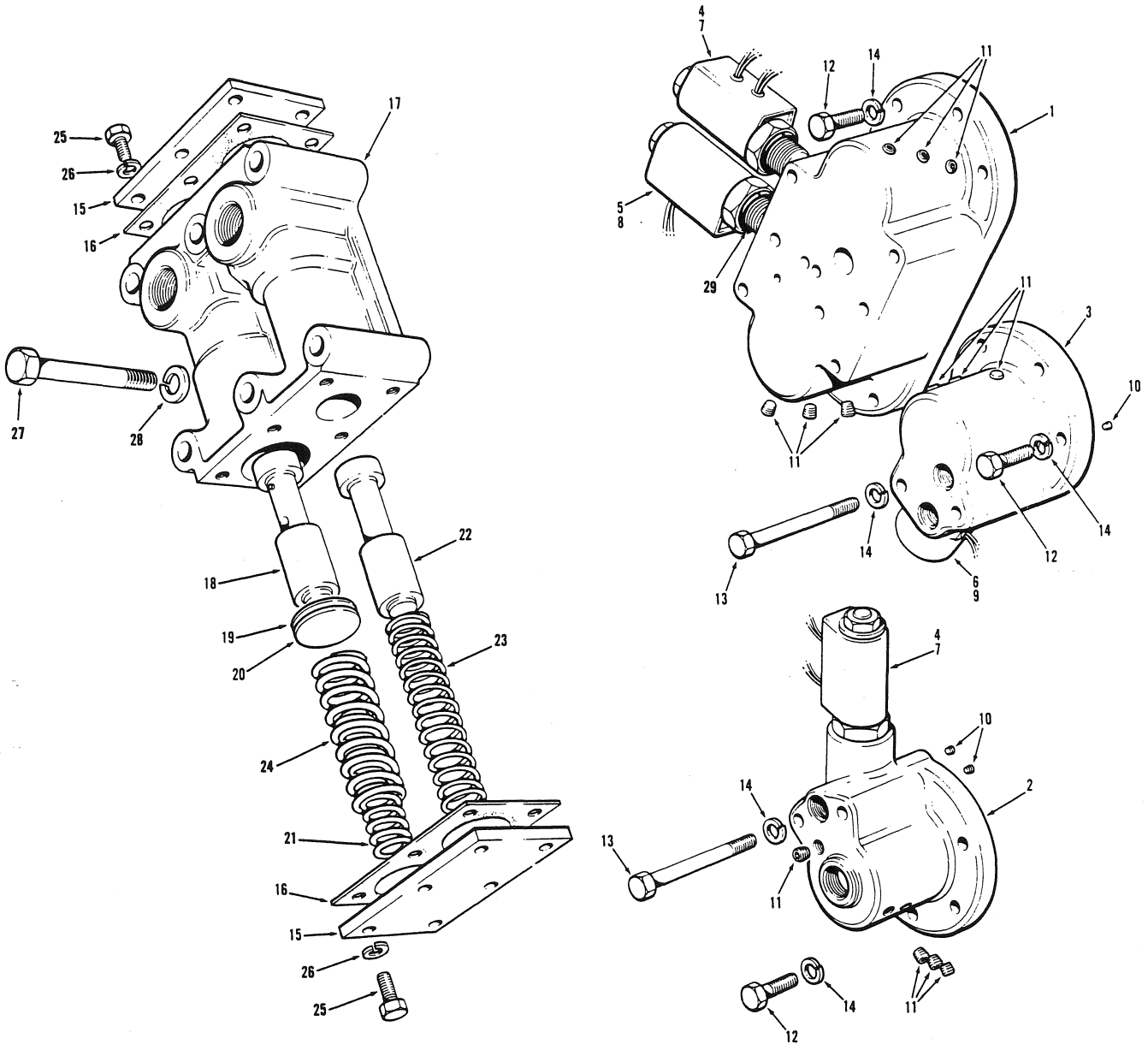
POUR LA LISTE DES PIÈCES - VOIR AU VERSO

PARA LA LISTA DE LAS PIEZAS - VER AL VERSO

USE ONLY CHAMPION ROAD MACHINERY APPROVED PARTS

SECTION SECCION 6		PAGE PAGINA 8	ISSUE No. N° D'ÉMISSION N° DE EDICION 2 REVISION A	CONTROL VALVES			JUNE 1989		
No. N° N°	PART No. N° DE PIÈCE N° DE PIEZA	DESCRIPTION DESCRIPTION DESCRIPCION	No. REQ. N° REQ. N° REQ.	REMARKS REMARQUES NOTAS	No. N° N°	PART No. N° DE PIÈCE N° DE PIEZA	DESCRIPTION DESCRIPTION DESCRIPCION	No. REQ. N° REQ. N° REQ.	REMARKS REMARQUES NOTAS
1	37785	CAP - MAIN CONTROL VALVE	1						
2	37786	CAP - RANGE CONTROL VALVE	1						
3	37787	CAP - REVERSE CONTROL VALVE	1						
4	29747	SOLENOID VALVE ASSY. - INCLUDES ITEM 7	2						
5	29748	SOLENOID VALVE ASSY. - INCLUDES ITEM 8	1						
6	29749	SOLENOID VALVE ASSY. - INCLUDES ITEM 9	1						
7	37105	COIL	2						
8	37106	COIL	1						
9	37107	COIL	1						
10	115D-01	PLUG	3						
11	115D-02	PLUG	13						
12	50A-0610	BOLT	14						
13	50A-0632	BOLT	4						
14	14A-06	LOCKWASHER	18						
	41251	O RING KIT FOR ITEMS 4 & 5	A.R.						
	41252	O RING KIT FOR ITEM 6	A.R.						
		<u>REGULATOR VALVE INSTALLATION</u>							
	29862	REGULATOR VALVE ASSY. - INCLUDES ITEMS 15 TO 25	1						
	*37198	REPAIR KIT FOR 29862 REGULATOR VALVE ASSEMBLY - INCLUDES ITEMS 16, 19, 20, 22 & 23.	A.R.						
15	11212	VALVE COVER	2						
16	11213	GASKET	2						
17	11214	VALVE BODY	1						
18	11215	VALVE ASSY.	1						
19	11216	SPACER - THIN	A.R.						
20	11217	SPACER - THICK	A.R.						
21	11221	LUBE VALVE	1						
22	37213	SPRING - LUBE VALVE	1						
23	41094	SPRING - MAIN VALVE	1						
24	50A-0506	BOLT	12						
25	14A-05	LOCKWASHER	12						
26	50A-0652	BOLT	6						
27	14A-06	LOCKWASHER	6						

CHAMPION ROAD MACHINERY



CONTROL VALVES - 12 VOLT

FOR LIST OF PARTS - TURN THIS PAGE POUR LA LISTE DES PIÈCES - VOIR AU VERSO PARA LA LISTA DE LAS PIEZAS - VER AL VERSO

ISSUE No.
N° D'ÉMISSION
N° DE EDICION 3 REVISION A

EFFECTIVE SERIAL NUMBER(S)
NUMERO(S) DE SÉRIE EFFECTIF(S)
NUMERO(S) DE SERIE EFECTIVO(S)

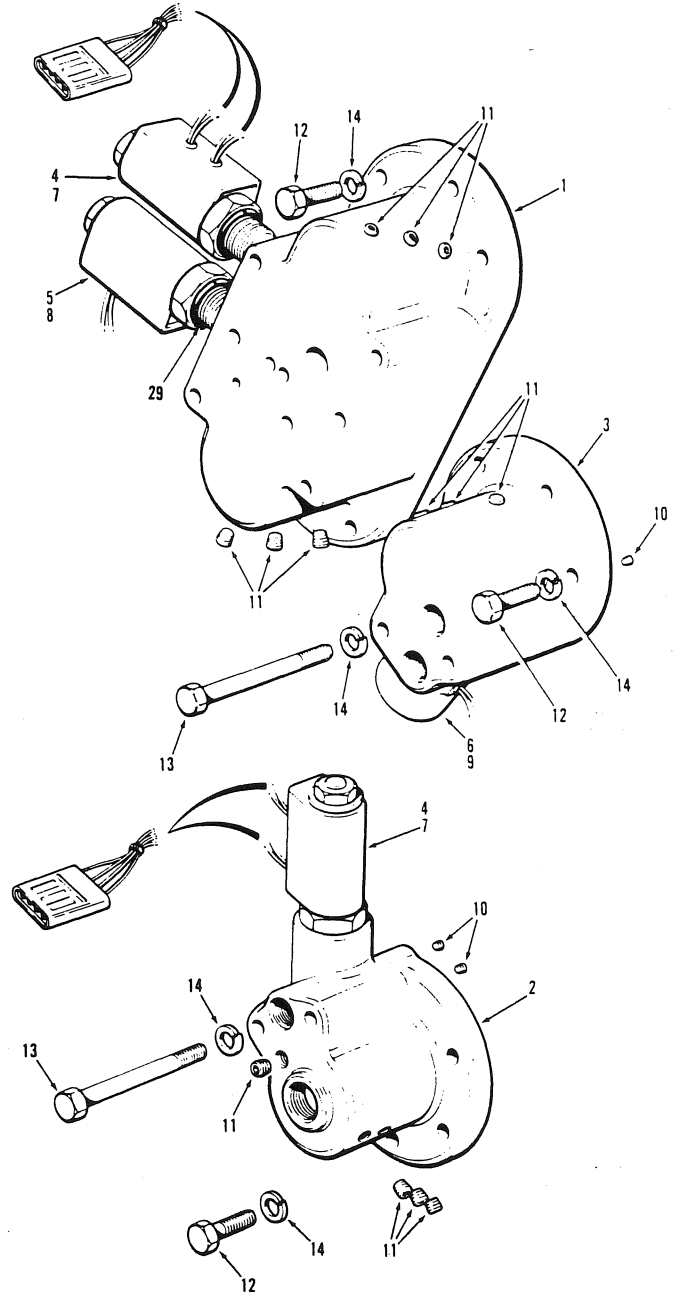
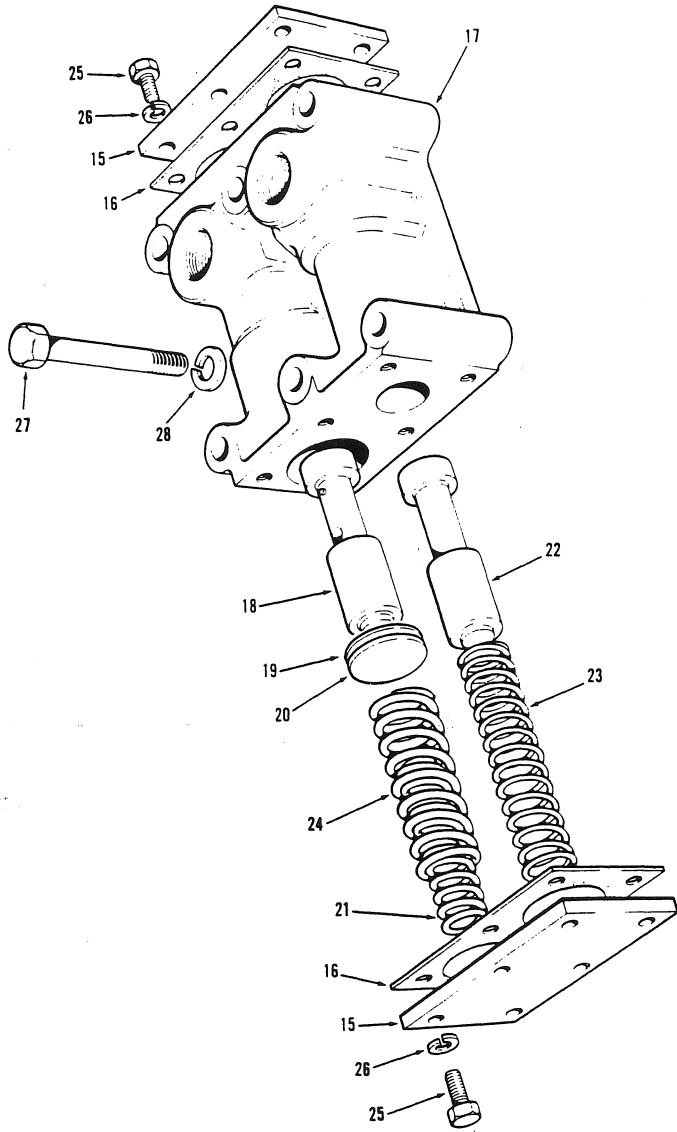
20242, 20245, 20250, 20253,
20260, 20265 to 20718,
& 20731

700 SERIES
SERIE 700

SECTION 6 PAGE 7
SECCION 6 PAGINA 7

SECTION SECCION		PAGE PAGINA		ISSUE No. N° D'ÉMISSION N° DE EDICION		CONTROL VALVES - 12 VOLT		JUNE 1990	
No. N°	PART No. N° DE PIÈCE N° DE PIEZA	DESCRIPTION DÉSCRIPTION DESCRIPCION	No. REQ. N° REQ. N° REQ.	REMARKS REMARQUES NOTAS	No. N°	PART No. N° DE PIECE N° DE PIEZA	DESCRIPTION DÉSCRIPTION DESCRIPCION	No. REQ. N° REQ. N° REQ.	REMARKS REMARQUES NOTAS
1	37785	CAP - MAIN CONTROL VALVE	1						
2	37786	CAP - RANGE CONTROL VALVE	1						
3	37787	CAP - REVERSE CONTROL VALVE	1						
4	29747	SOLENOID VALVE ASSEMBLY - INCLUDES ITEM 7	2						
5	29748	SOLENOID VALVE ASSEMBLY - INCLUDES ITEM 8	1						
	41251	O RING KIT FOR 29747 & 29748 - SOLENOID VALVE ASSEMBLIES	1						
6	29749	SOLENOID VALVE ASSEMBLY - INCLUDES ITEM 9	1						
	41252	O RING KIT FOR 29749 - SOLENOID VALVE ASSEMBLY	1						
7	37105	COIL	2						
8	37106	COIL	1						
9	37107	COIL	1						
10	116D-01	PLUG	3						
11	115D-02	PLUG	13						
12	50A-0610	BOLT	14						
13	50A-0632	BOLT	4						
14	14A-06	LOCKWASHER	18						
		REGULATOR VALVE INSTALLATION							
	53775	REGULATOR VALVE ASSEMBLY - INCLUDES ITEMS 15 to 25	1						
	*38684	REPAIR KIT FOR 53775 - REGULATOR VALVE ASSEMBLY - INCLUDES ITEMS 16, 19, 20, 21, 23 & 24	1						
15	11212	VALVE COVER	2						
16	11213	GASKET	2						
17	11214	VALVE BODY	1						
18	11215	VALVE ASSEMBLY	1						
19	11216	SPACER - THIN	1						
20	11217	SPACER - THICK	1						
21	11218	SPRING - MAIN VALVE - INNER	1						
22	11221	LUBE VALVE	1						
23	37213	SPRING - LUBE VALVE	1						
24	41094	SPRING - MAIN VALVE - OUTER	1						
25	50A-0506	BOLT	12						
26	14A-05	LOCKWASHER	12						
27	50A-0652	BOLT	6						
28	14A-06	LOCKWASHER	6						
29	*12A-123	O RING	1 per						

CHAMPION ROAD MACHINERY



CONTROL VALVES - 12 VOLT

FOR LIST OF PARTS - TURN THIS PAGE POUR LA LISTE DES PIÈCES - VOIR AU VERSO PARA LA LISTA DE LAS PIEZAS - VER AL VERSO

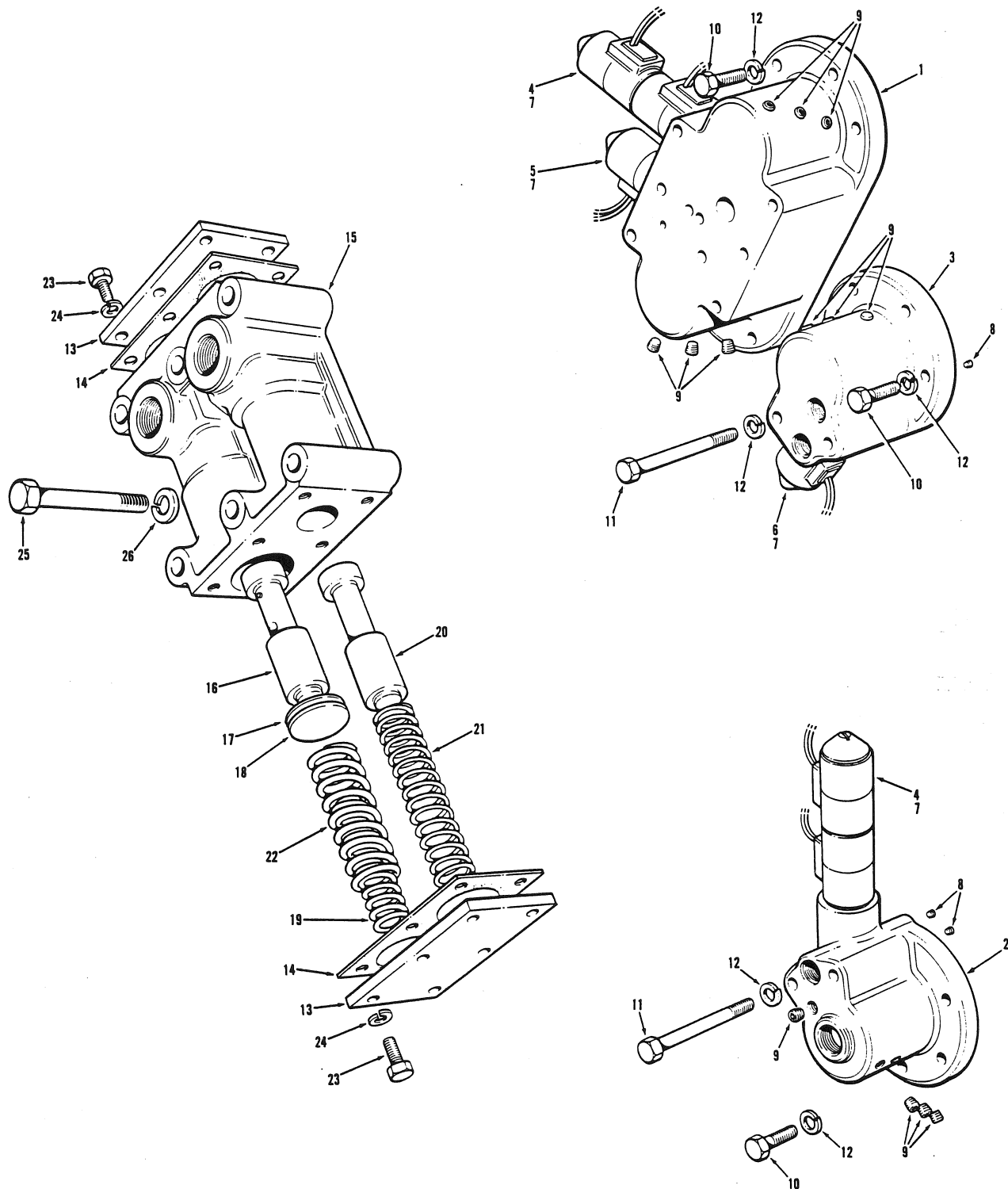
ISSUE No.
N° D'ÉMISSION
N° DE EDICION **4 REVISION A**

EFFECTIVE SERIAL NUMBER(S) **20719 to 21449**
 NUMERO(S) DE SÉRIE EFFECTIF(S) **EXCLUDING 20731**
 NUMERO(S) DE SERIE EFECTIVO(S)

700 SERIES
SERIE 700

SECTION 6 **PAGE 7**
SECCION 6 **PAGINA 7**

SECTION SECCION		PAGE PAGINA		ISSUE No. N° D'ÉMISSION N° DE EDICION		4 REVISION A		CONTROL VALVES - 12 VOLT		JANUARY 1992	
No. N° N°	PART No. N° DE PIÈCE N° DE PIEZA	DESCRIPTION DESCRIPTION DESCRIPCION	No. REQ. N° REQ. N° REQ.	REMARKS REMARQUES NOTAS	No. N° N°	PART No. N° DE PIÈCE N° DE PIEZA	DESCRIPTION DESCRIPTION DESCRIPCION	No. REQ. N° REQ. N° REQ.	REMARKS REMARQUES NOTAS		
1	37785	CAP - MAIN CONTROL VALVE	1								
2	37786	CAP - RANGE CONTROL VALVE	1								
3	37787	CAP - REVERSE CONTROL VALVE	1								
4	56210	SOLENOID VALVE ASSEMBLY - INCLUDES ITEM 7	2								
5	29748	SOLENOID VALVE ASSEMBLY - INCLUDES ITEM 8	1								
	41251	O RING KIT FOR 56210 & 29748 - SOLENOID VALVE ASSEMBLIES	1								
6	29749	SOLENOID VALVE ASSEMBLY - INCLUDES ITEM 9	1								
	41252	O RING KIT FOR 29749 - SOLENOID VALVE ASSEMBLY	1								
7	56211	COIL	2								
8	37108	COIL	1								
9	37107	COIL	1								
10	115D-01	PLUG	3								
11	115D-02	PLUG	13								
12	50A-0610	BOLT	14								
13	50A-0632	BOLT	4								
14	14A-08	LOCKWASHER	18								
		REGULATOR VALVE INSTALLATION									
	53775	REGULATOR VALVE ASSEMBLY - INCLUDES ITEMS 15 to 25	1								
	38684	REPAIR KIT FOR 53775 - REGULATOR VALVE ASSEMBLY - INCLUDES ITEMS 16, 19, 20, 21, 23 & 24	1								
15	11212	VALVE COVER	2								
16	11213	GASKET	2								
17	11214	VALVE BODY	1								
18	11215	VALVE ASSEMBLY	1								
19	11216	SPACER - THIN	1								
20	11217	SPACER - THICK	1								
21	11218	SPRING - MAIN VALVE - INNER	1								
22	11221	LUBE VALVE	1								
23	37213	SPRING - LUBE VALVE	1								
24	41094	SPRING - MAIN VALVE - OUTER	1								
25	50A-0506	BOLT	12								
26	14A-05	LOCKWASHER	12								
27	50A-0652	BOLT	6								
28	14A-06	LOCKWASHER	6								
29	12A-123	O RING	1 per								



JUNE 1991

CONTROL VALVES - 12 VOLT

PARA LA LISTA DE LAS PIEZAS - VER AL VERSO

POUR LA LISTE DES PIÈCES - VOIR AU VERSO

FOR LIST OF PARTS - TURN THIS PAGE

ISSUE No.
N° D'ÉMISSION
N° DE EDICIÓN 5

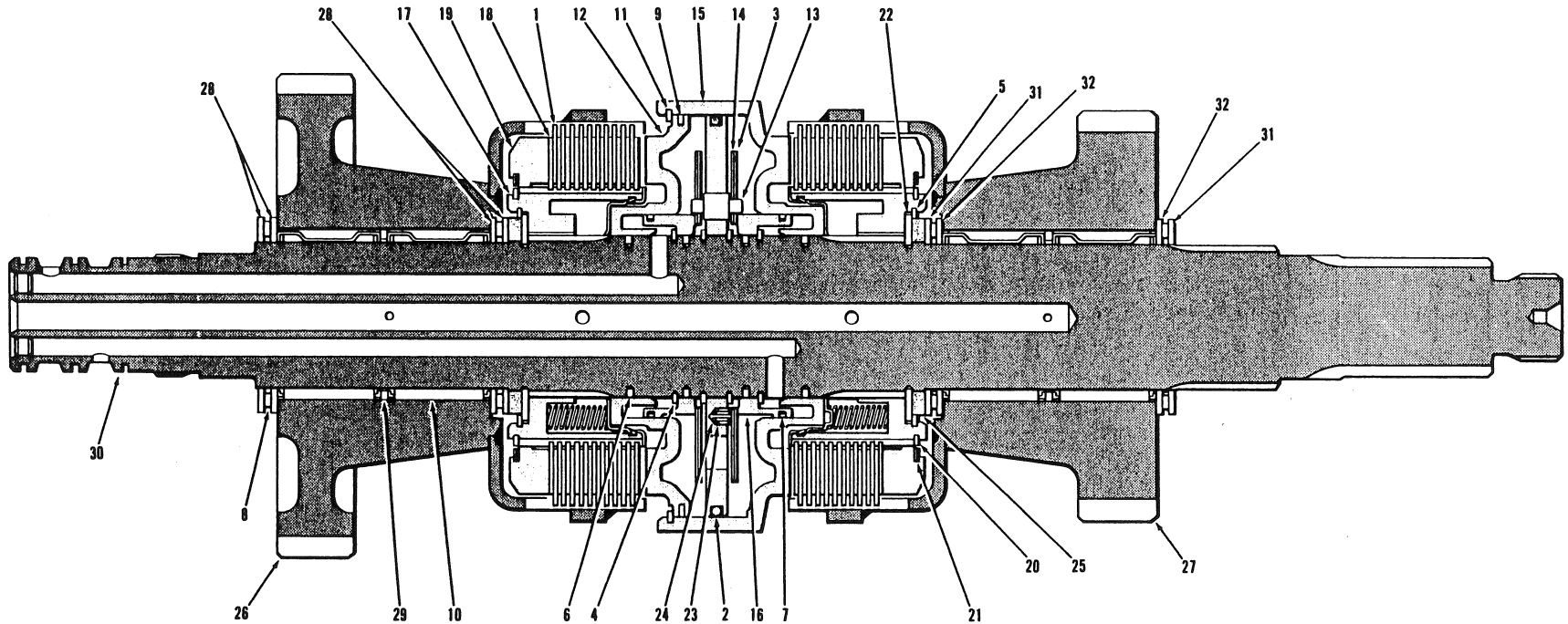
EFFECTIVE SERIAL NUMBER(S) 21450 & UP
 NUMERO(S) DE SÉRIE EFFECTIF(S)
 NUMERO(S) DE SERIE EFECTIVO(S)

700 SERIES
 SERIE 700

SECTION 6 PAGE
 SECCION 6 PAGINA 7

SECTION SECCION		PAGE PAGINA		ISSUE No. N° D'ÉMISSION N° DE EDICION		CONTROL VALVES - 12 VOLT				JUNE 1991	
No. N° N°	PART No. N° DE PIÈCE N° DE PIEZA	DESCRIPTION DESCRIPTION DESCRIPCION	No. REQ. N° REQ. N° REQ.	REMARKS REMARQUES NOTAS	No. N° N°	PART No. N° DE PIÈCE N° DE PIEZA	DESCRIPTION DESCRIPTION DESCRIPCION	No. REQ. N° REQ. N° REQ.	REMARKS REMARQUES NOTAS		
1	*59905	CAP - MAIN CONTROL VALVE	1								
2	*59907	CAP - RANGE CONTROL VALVE	1								
3	*59906	CAP - REVERSE CONTROL VALVE	1								
4	*58438	SOLENOID CARTRIDGE	2								
5	*58437	SOLENOID CARTRIDGE	1								
6	*58436	SOLENOID CARTRIDGE	1								
	*66137	SEAL KIT FOR 58437 & 58438 - SOLENOID CARTRIDGE	1								
	*66136	SEAL KIT FOR 58436 - SOLENOID CARTRIDGE	1								
7	*58727	COIL	1 - 2								
8	115D-01	PLUG	3								
9	*115C-02	PLUG	13								
10	50A-0610	BOLT	14								
11	50A-0632	BOLT	4								
12	14A-06	LOCKWASHER	18								
		REGULATOR VALVE INSTALLATION									
	53775	REGULATOR VALVE ASSEMBLY INCLUDES ITEMS 13 to 24	1								
	38684	REPAIR KIT FOR 53775 - REGULATOR VALVE ASSEMBLY INCLUDES ITEMS 14, 17, 18, 19, 21 & 22	1								
13	11212	VALVE COVER	2								
14	11213	GASKET	2								
15	11214	VALVE BODY	1								
16	11215	VALVE ASSEMBLY	1								
17	11216	SPACER - THIN	1								
18	11217	SPACER - THICK	1								
19	11218	SPRING - MAIN VALVE - INNER	1								
20	11221	LUBE VALVE	1								
21	37213	SPRING - LUBE VALVE	1								
22	41094	SPRING - MAIN VALVE - OUTER	1								
23	50A-0506	BOLT	12								
24	14A-05	LOCKWASHER	12								
25	50A-0652	BOLT	6								
26	14A-06	LOCKWASHER	6								

CHAMPION ROAD MACHINERY



EFFECTIVE SERIAL NUMBERS) 16224, 16245 & UP
 NUMEROS) DE SERIE EFFECTIFS)
 NUMEROS) DE SERIE EFFECTIVOS)
 U.S. 2021-2 & UP

700 SERIES
 SERIE 700

SECTION 6 PAGE
 SECCION 6 PAGINA 9

ISSUE No.
 N° D'ÉMISSION
 N° DE EDICION 1 REVISION B

INPUT CLUTCH & SHAFT ASSEMBLY

OCTOBER 1986

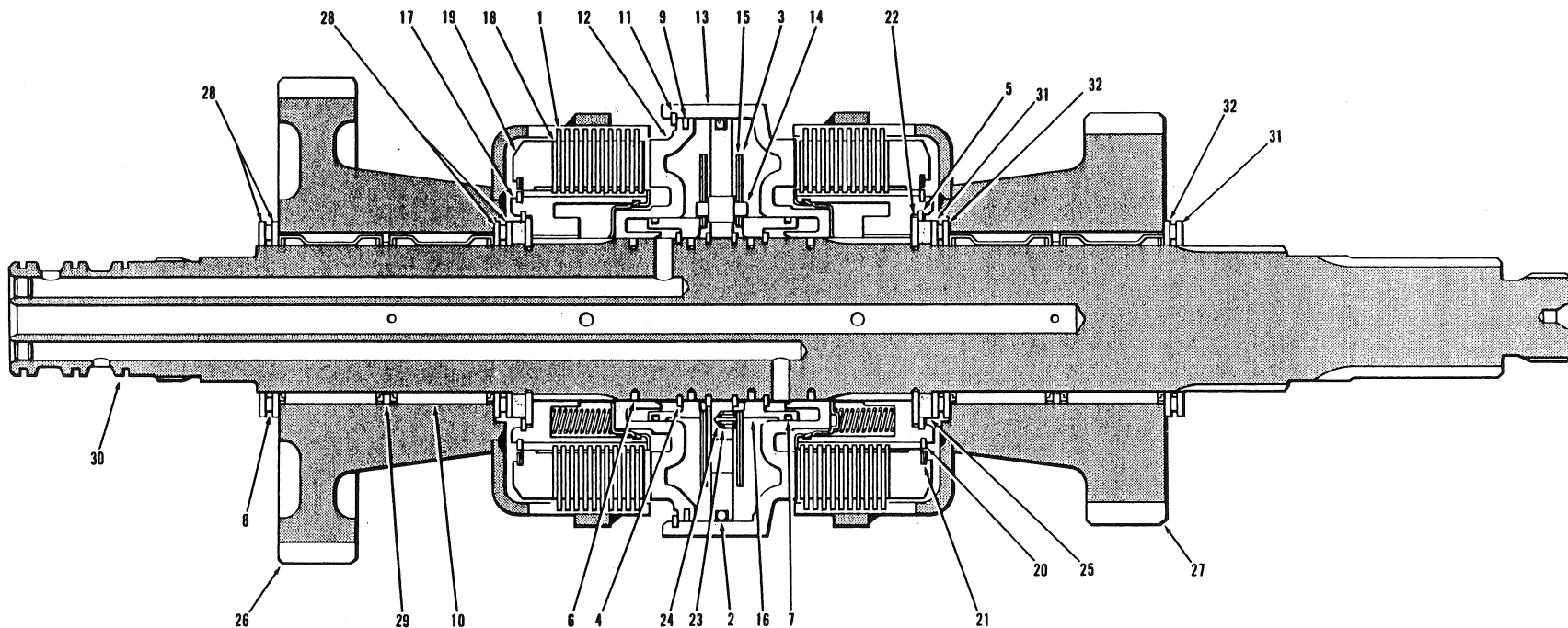
FOR LIST OF PARTS - TURN THIS PAGE

POUR LA LISTE DES PIÈCES - VOIR AU VERSO

PARA LA LISTA DE LAS PIEZAS - VER AL VERSO

USE ONLY  CHAMPION ROAD MACHINERY APPROVED PARTS

SECTION SECCION 6		PAGE PAGINA 10	ISSUE No. N° D'ÉMISSION N° DE EDICION 1 REVISION B	INPUT CLUTCH & SHAFT ASSEMBLY				OCTOBER 1986	
No. N° N°	PART No. N° DE PIÈCE N° DE PIEZA	DESCRIPTION DÉSCRIPTION DESCRIPCION	No. REQ. N° REQ. N° REQ.	REMARKS REMARQUES NOTAS	No. N° N°	PART No. N° DE PIECE N° DE PIEZA	DESCRIPTION DÉSCRIPTION DESCRIPCION	No. REQ. N° REQ. N° REQ.	REMARKS REMARQUES NOTAS
	29711	CLUTCH PACK ASSY.- INCLUDES ITEMS 1 TO 32	1						
1	11299	PLATE - EXTERNAL SPLINED	20						
2	11303	O RING	1						
3	11305	DISC - VALVE	2						
4	11307	SNAP RING	2						
5	11314	SNAP RING	2						
6	11316	SEAL RING	4						
7	11319	SEAL RING	2						
8	11321	BEARING	4						
9	11322	SEAL RING	1						
10	11323	BEARING	4						
11	11324	SNAP RING	1						
12	41072	PISTON - CLUTCH	1						
13	41073	DOWEL PIN	3						
14	41074	DISC - REINFORCING	2						
15	41075	HOUSING - PISTON	1						
16	41076	PISTON - ACCELERATING	2						
17	41077	HUB ASSY. - INCLUDES HUB, SPRINGS, SPRING RETAINER & PLATE RETAINER	2						
18	*41092	PLATE - INTERNAL SPLINED	22						
19	41080	PLATE - CLUTCH BACKING	2						
20	41081	SNAP RING	2						
21	41082	SNAP RING	2						
22	41083	RETAINER	4						
23	41084	SPRING - OUTER	6						
24	41085	SPRING - INNER	6						
25	41086	SPACER	2						
26	41087	GEAR & DRUM ASSY.	1						
27	41088	GEAR & DRUM ASSY.	1						
28	41089	WASHER	8						
29	41090	SPACER	2						
30	41108	SHAFT ASSY. - INCLUDES SHAFT, SEPARATOR PLATE, SNAP RINGS & DOWEL PINS	1						
31	42974	WASHER - .063"	2						
32	29823	WASHER - .125"	2						
	*37195	REPAIR KIT - INCLUDES ITEMS - 1,2,4 TO 11 18,20 TO 22,28,31,32.	A.R.						



USE ONLY  CHAMPION ROAD MACHINERY APPROVED PARTS

EFFECTIVE SERIAL NUMBERS) 18256, & UP
 NUMEROS) DE SERIE EFFECTIFS)
 NUMEROS) DE SERIE EFFECTIVOS)

700 SERIES
 SERIE 700

SECTION 6 PAGE 9
 SECCION 6 PAGINA 9

ISSUE No.
 N° D'ÉMISSION
 N° DE EDICION 2

INPUT CLUTCH & SHAFT ASSEMBLY

SEPTEMBER 1987

FOR LIST OF PARTS - TURN THIS PAGE POUR LA LISTE DES PIÈCES - VOIR AU VERSO PARA LA LISTA DE LAS PIEZAS - VER AL VERSO

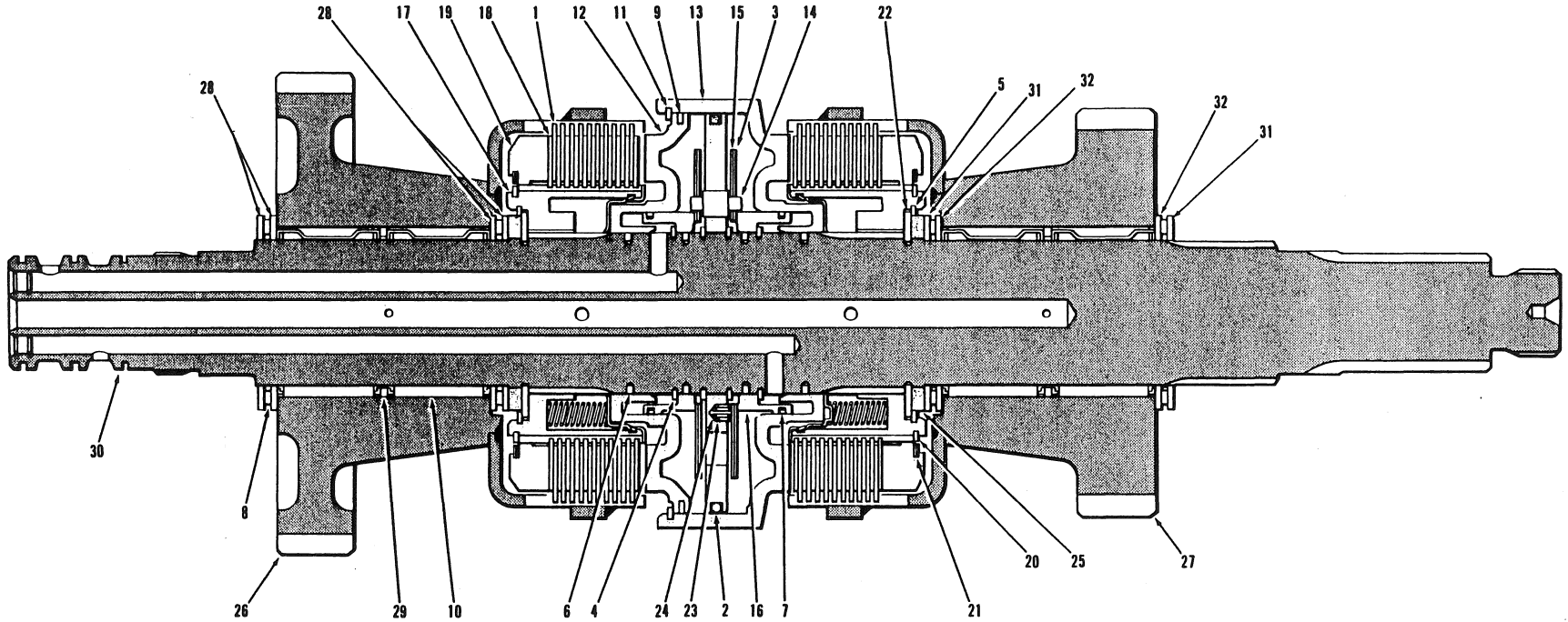
SECTION SECCION 6		PAGE PAGINA 10	ISSUE No. N° D'ÉMISSION N° DE EDICION 2	INPUT CLUTCH & SHAFT ASSEMBLY				SEPTEMBER 1987	
No. N° N°	PART No. N° DE PIÉCE N° DE PIEZA	DESCRIPTION DÉSCRIPTION DESCRIPCION	No. REQ. N° REQ. N° REQ.	REMARKS REMARQUES NOTAS	No. N° N°	PART No. N° DE PIÉCE N° DE PIEZA	DESCRIPTION DÉSCRIPTION DESCRIPCION	No. REQ. N° REQ. N° REQ.	REMARKS REMARQUES NOTAS
	*37845	CLUTCH PACK ASSY.- INCLUDES ITEMS 1 TO 32	1						
1	11299	PLATE - EXTERNAL SPLINED	20						
2	11303	O RING	1						
3	11305	DISC - VALVE	2						
4	11307	SNAP RING	2						
5	11314	SNAP RING	2						
6	11316	SEAL RING	4						
7	11319	SEAL RING	2						
8	11321	BEARING	4						
9	11322	SEAL RING	1						
10	11323	BEARING	4						
11	11324	SNAP RING	1						
12	*37848	PISTON - CLUTCH	1						
13	*37849	HOUSING - PISTON	1						
14	41073	DOWEL PIN	3						
15	41074	DISC - REINFORCING	2						
16	41076	PISTON - ACCELERATING	2						
17	41077	HUB ASSY. - INCLUDES HUB, SPRINGS, SPRING RETAINER & PLATE RETAINER	2						
18	41092	PLATE - INTERNAL SPLINED	22						
19	41080	PLATE - CLUTCH BACKING	2						
20	41081	SNAP RING	2						
21	41082	SNAP RING	2						
22	41083	RETAINER	4						
23	41084	SPRING - OUTER	6						
24	41085	SPRING - INNER	6						
25	41086	SPACER	2						
26	41087	GEAR & DRUM ASSY.	1						
27	41088	GEAR & DRUM ASSY.	1						
28	41089	WASHER	8						
29	41090	SPACER	2						
30	41108	SHAFT ASSY. - INCLUDES SHAFT, SEPARATOR PLATE, SNAP RINGS & DOWEL PINS	1						
31	42974	WASHER - .063"	2						
32	29823	WASHER - .125"	2						
	37195	REPAIR KIT - INCLUDES ITEMS - 1,2,4 TO 11 18,20 TO 22,28,31,32.	A.R.						

EFFECTIVE SERIAL NUMBER(S)
NUMEROS(S) DE SERIE EFFECTIF(S)
NUMEROS(S) DE SERIE EFFECTIVO(S)

20242, 20245, 20250, 20253,
20256, 20260, 20265 & UP

700 SERIES
SERIE 700

SECTION 6 PAGE 9
SECTION 6 PAGINA 9



ISSUE No.
N° D'ÉMISSION
N° DE EDICION 3

INPUT CLUTCH & SHAFT ASSEMBLY

OCTOBER 1989

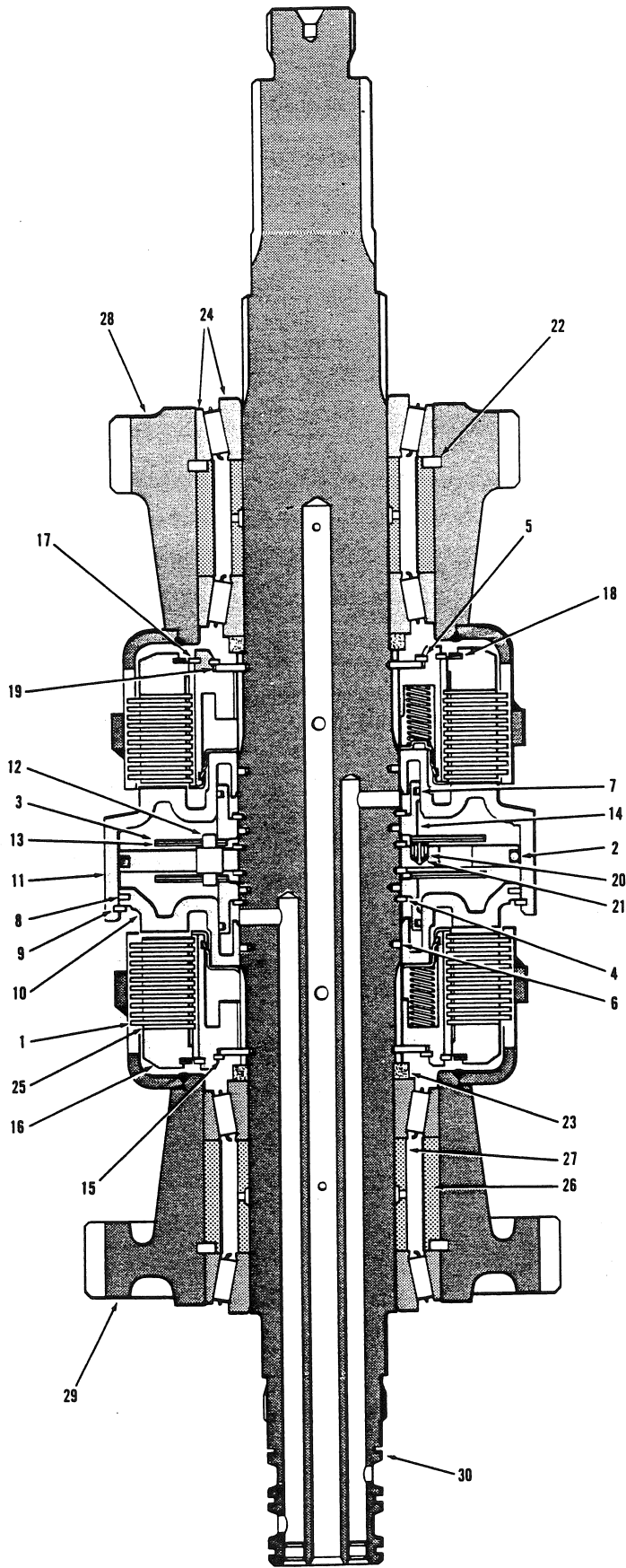
FOR LIST OF PARTS - TURN THIS PAGE

POUR LA LISTE DES PIÈCES - VOIR AU VERSO

PARA LA LISTA DE LAS PIEZAS - VER AL VERSO

USE ONLY CHAMPION ROAD MACHINERY APPROVED PARTS

SECTION SECCION		PAGE PAGINA		ISSUE No. N° D'ÉMISSION N° DE EDICION		INPUT CLUTCH & SHAFT ASSEMBLY			OCTOBER 1989	
No. N° N°	PART No. N° DE PIÈCE N° DE PIEZA	DESCRIPTION DESCRIPTION DESCRIPCION	No. REQ. N° REQ. N° REQ.	REMARKS REMARQUES NOTAS	No. N° N°	PART No. N° DE PIÈCE N° DE PIEZA	DESCRIPTION DESCRIPTION DESCRIPCION	No. REQ. N° REQ. N° REQ.	REMARKS REMARQUES NOTAS	
	*53767	CLUTCH PACK ASSEMBLY - INCLUDES ITEMS 1 TO 32	1							
	*55274	REPAIR KIT - INCLUDES ITEMS 1, 2, 4 TO 11, 18, 20 TO 22, 28, 31 & 32	1							
1	11299	PLATE - EXTERNAL SPLINED	20							
2	11303	O RING	1							
3	11305	DISC - VALVE	2							
4	11307	SNAP RING	2							
5	11314	SNAP RING	2							
6	11316	SEAL RING	4							
7	11319	SEAL RING	2							
8	11321	BEARING	4							
9	11322	SEAL RING	1							
10	11323	BEARING	4							
11	11324	SNAP RING	1							
12	37848	PISTON - CLUTCH	1							
13	37849	HOUSING - PISTON	1							
14	41073	DOWEL PIN	3							
15	41074	DISC - REINFORCING	2							
16	41076	PISTON - ACCELERATING	2							
17	41077	HUB ASSEMBLY - INCLUDES HUB, SPRINGS, SPRING RETAINER & PLATE RETAINER	2							
18	*53950	PLATE - INTERNAL SPLINED	22							
19	41080	PLATE - CLUTCH BACKING	2							
20	41081	SNAP RING	2							
21	41082	SNAP RING	2							
22	41083	RETAINER	4							
23	41084	SPRING - OUTER	6							
24	41085	SPRING - INNER	6							
25	41086	SPACER	2							
26	41087	GEAR & DRUM ASSEMBLY	1							
27	41088	GEAR & DRUM ASSEMBLY	1							
28	41089	WASHER	8							
29	41090	SPACER	2							
30	41108	SHAFT ASSEMBLY - INCLUDES SHAFT, SEPARATOR PLATE, SNAP RINGS & DOWEL PINS	1							
31	42974	WASHER - .063"	2							
32	29823	WASHER - .125"	2							



ISSUE No.
N° D'ÉMISSION
N° DE EDICION **4 REVISION A**

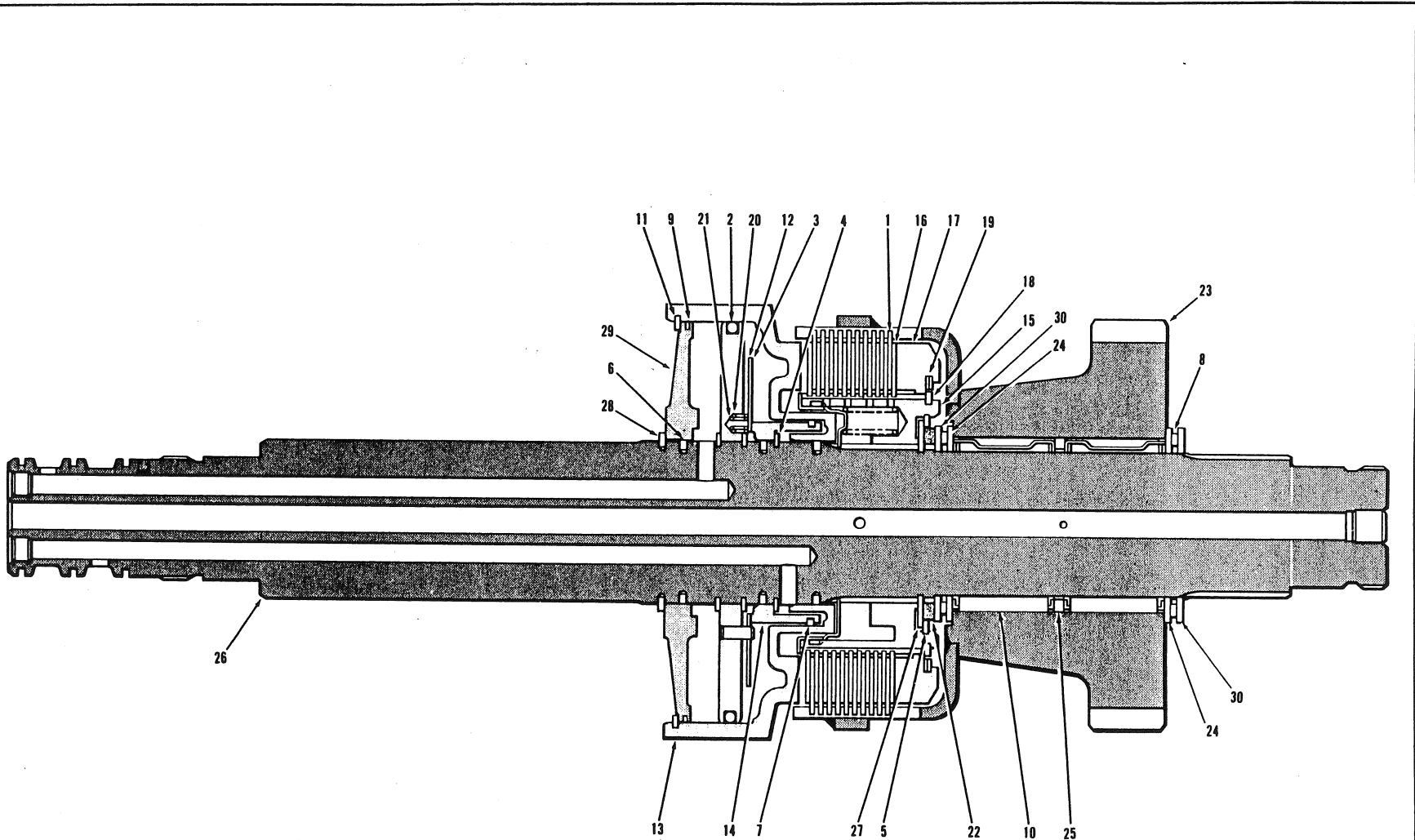
EFFECTIVE SERIAL NUMBER(S) **22380 & UP**
 NUMERO(S) DE SÉRIE EFFECTIF(S) **EXCLUDING 22420**
 NUMERO(S) DE SERIE EFECTIVO(S) **& 22424 to 22427**

700 SERIES
SERIE 700

SECTION 6
SECCION 6

PAGE 9
PAGINA 9

SECTION SECCION		PAGE PAGINA		ISSUE No. N° D'ÉMISSION N° DE EDICION		4 REVISION A		INPUT CLUTCH & SHAFT ASSEMBLY			AUGUST 1992	
No. N° N°	PART No. N° DE PIÈCE N° DE PIEZA	DESCRIPTION DÉSCRIPTION DESCRIPCION	No. REQ. N° REQ. N° REQ.	REMARKS REMARQUES NOTAS	No. N° N°	PART No. N° DE PIECE N° DE PIEZA	DESCRIPTION DÉSCRIPTION DESCRIPCION	No. REQ. N° REQ. N° REQ.	REMARKS REMARQUES NOTAS			
	*65642	CLUTCH PACK ASSEMBLY - INCLUDES ITEMS 1 to 30	1									
	*63165	REPAIR KIT FOR 65642 - CLUTCH PACK ASSEMBLY - INCLUDES ITEMS 1, 2, 4 to 9, 17 to 19 & 24 to 27	1									
1	11299	PLATE - EXTERNALLY SPLINED	20									
2	11303	O-RING	1									
3	11305	DISC - VALVE	2									
4	11307	SNAP RING	2									
5	11314	SNAP RING	2									
6	11316	SEAL RING	4									
7	11319	SEAL RING	2									
8	11322	SEAL RING	1									
9	11324	SNAP RING	1									
10	37848	PISTON - CLUTCH	1									
11	37849	HOUSING - PISTON	1									
12	41073	DOWEL PIN	3									
13	41074	DISC - REINFORCING	2									
14	41076	PISTON - ACCELERATING	2									
15	41077	HUB ASSEMBLY - INCLUDES HUB, SPRINGS, SPRING RETAINER & PLATE RETAINER	2									
16	41080	PLATE - CLUTCH BACKING	2									
17	41081	SNAP RING	2									
18	41082	SNAP RING	2									
19	41083	RETAINER	4									
20	41084	SPRING - OUTER	6									
21	41085	SPRING - INNER	6									
22	*41098	SNAP RING	2									
23	*41102	SPACER	2									
24	*41504	CUP & CONE ASSEMBLY	4									
25	53950	PLATE - INTERNALLY SPLINED	22									
26	*63159	SPACER	2									
27	*63160	SPACER	2									
28	*63161	GEAR & DRUM ASSEMBLY	1									
29	*63162	GEAR & DRUM ASSEMBLY	1									
30	*63163	SHAFT ASSEMBLY - INCLUDES SHAFT, SEPARATOR PLATE, SNAP RINGS & DOWEL PINS	1									



EFFECTIVE SERIAL NUMBER(S)
NUMEROS(S) DE SERIE EFFECTIF(S)
NUMEROS(S) DE SERIE EFECTIVO(S)
U.S. 2021-2 to 2658-2

16224, 16245 to 18272

700 SERIES
SERIE 700

SECTION 6 PAGE 11
SECTION 6 PAGINA 11

ISSUE No.
N° D'ÉMISSION
N° DE EDICION 1 REVISION C

REVERSE CLUTCH & SHAFT ASSEMBLY

JUNE 1989

FOR LIST OF PARTS - TURN THIS PAGE

POUR LA LISTE DES PIÈCES - VOIR AU VERSO

DADA LA LISTA DE LAS PIEZAS - VER AL VERSO

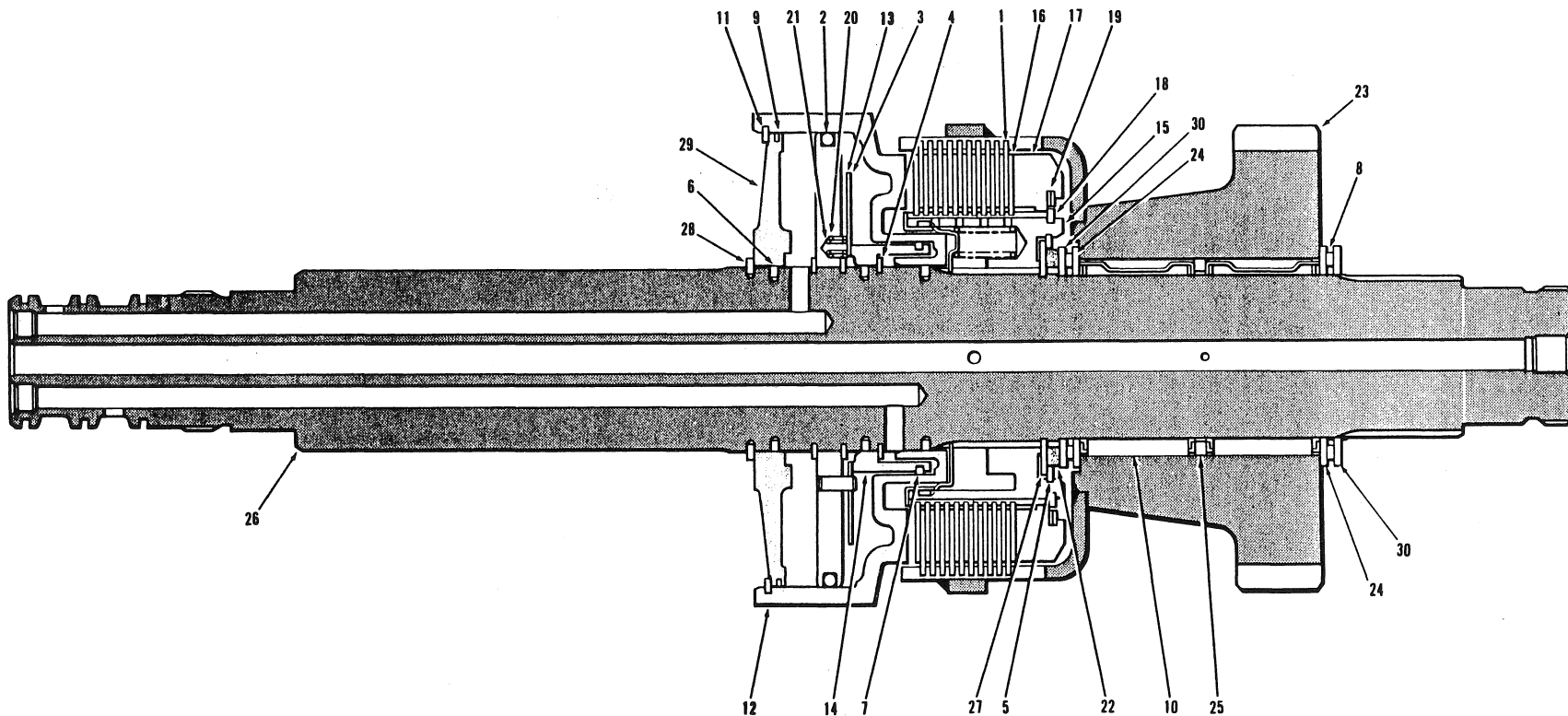
SECTION SECCION		PAGE PAGINA		ISSUE No. N° D'ÉMISSION N° DE EDICION		REVERSE CLUTCH & SHAFT ASSEMBLY			JUNE 1989	
No. N° N°	PART No. N° DE PIÈCE N° DE PIEZA	DESCRIPTION DESCRIPTION DESCRIPCION	No. REQ. N° REQ. N° REQ.	REMARKS REMARQUES NOTAS	No. N° N°	PART No. N° DE PIECE N° DE PIEZA	DESCRIPTION DESCRIPTION DESCRIPCION	No. REQ. N° REQ. N° REQ.	REMARKS REMARQUES NOTAS	
	29712	CLUTCH PACK ASSEMBLY - INCLUDES ITEMS 1 TO 30	1							
1	11299	PLATE - EXTERNAL SPLINED	10							
2	11303	O RING	1							
3	11305	DISC - VALVE	1							
4	11307	SNAP RING	1							
5	11314	SNAP RING	1							
6	11316	SEAL RING	3							
7	11319	SEAL RING	1							
8	11321	BEARING	2							
9	11322	SEAL RING	1							
10	11323	BEARING	2							
11	11324	SNAP RING	1							
12	41074	DISC - REINFORCING	1							
13	41075	HOUSING - PISTON	1							
14	41076	PISTON	1							
15	41077	HUB ASSEMBLY - INCLUDES HUB, SPRING, SPRING RETAINER & PLATE RETAINER	1							
16	41092	PLATE - INTERNAL SPLINED	11							
17	41080	PLATE - CLUTCH BACKING	1							
18	41081	SNAP RING	1							
19	41082	SNAP RING	1							
20	41084	SPRING - OUTER	3							
21	41085	SPRING - INNER	3							
22	41086	SPACER	1							
23	41088	GEAR & DRUM ASSEMBLY	2							
24	29823	WASHER - .125"	2							
25	41090	SPACER	1							
26	41103	SHAFT ASSEMBLY - INCLUDES SHAFT, SEPARATOR PLATE, SNAP RINGS & DOWEL PINS	1							
27	41104	RETAINER	4							
28	41105	SNAP RING	1							
29	41106	HOUSING - PISTON RETURN	1							
30	42974	WASHER - .063"	2							
	37196	REPAIR KIT - INCLUDES ITEMS 1, 2, 4 TO 11 16, 18, 19, 24, 27, 28 & 30	A.R.							

EFFECTIVE SERIAL NUMBERS(S)
NUMEROS(S) DE SÉRIE EFFECTIFS(S)
NUMEROS(S) DE SERIE EFFECTIVOS(S)

18273 & UP

700 SERIES
SERIE 700

SECTION 6 PAGE 11
SECCION 6 PAGINA 11



ISSUE No.
N° D'ÉMISSION
N° DE EDICION 2 REVISION A

REVERSE CLUTCH & SHAFT ASSEMBLY

JUNE 1989

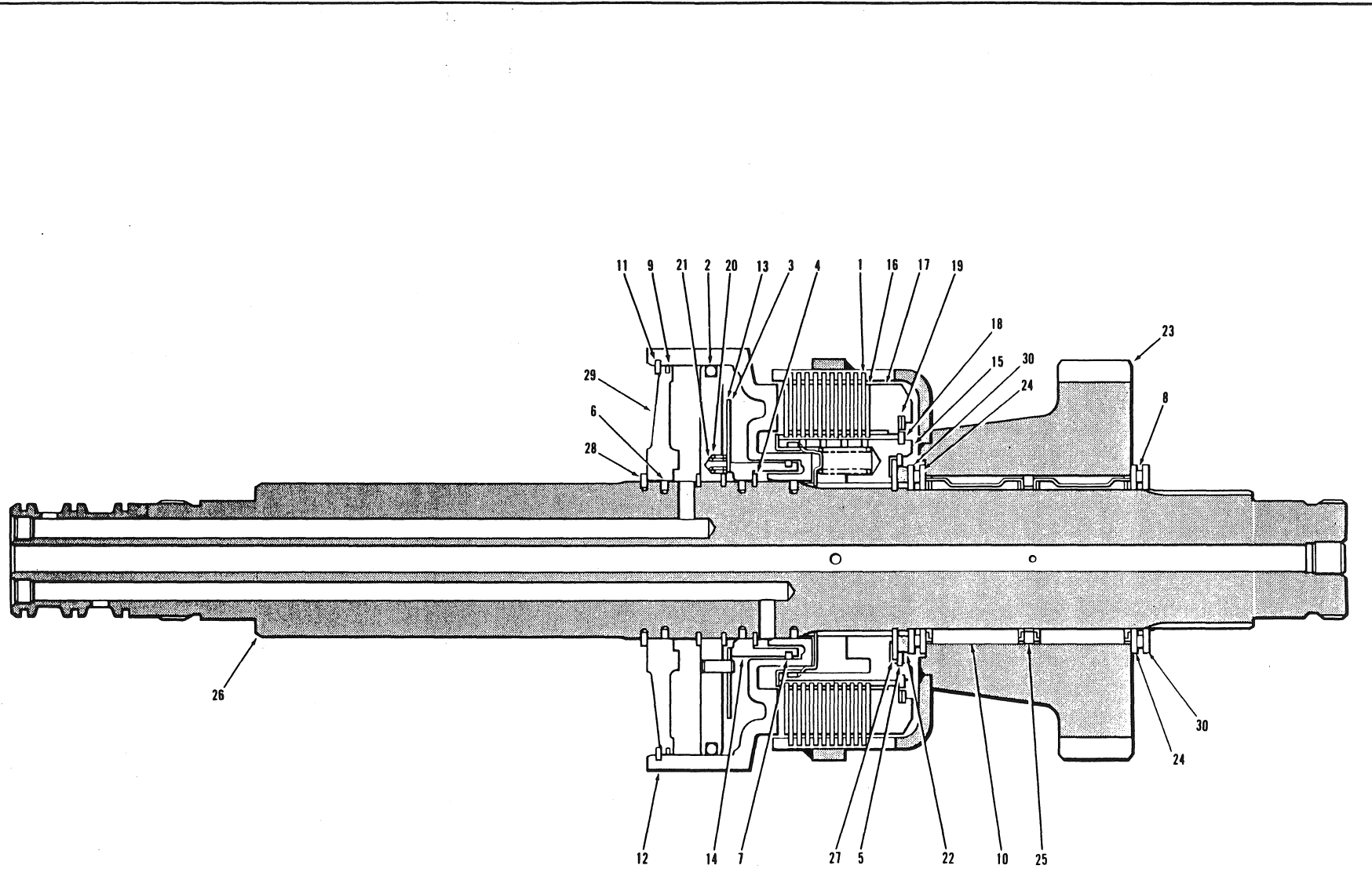
FOR LIST OF PARTS - TURN THIS PAGE

POUR LA LISTE DES PIÈCES - VOIR AU VERSO

PARA LA LISTA DE LAS PIEZAS - VER AL VERSO

USE ONLY CHAMPION ROAD MACHINERY APPROVED PARTS

SECTION 6		PAGE 12	ISSUE No. N° D'ÉMISSION N° DE EDICION	2 REVISION A		REVERSE CLUTCH & SHAFT ASSEMBLY			JUNE 1989	
No. N° N°	PART No. N° DE PIÈCE N° DE PIEZA	DESCRIPTION DÉSCRIPTION DESCRIPCION	No. REQ. N° REQ. N° REQ.	REMARKS REMARQUES NOTAS	No. N° N°	PART No. N° DE PIÈCE N° DE PIEZA	DESCRIPTION DÉSCRIPTION DESCRIPCION	No. REQ. N° REQ. N° REQ.	REMARKS REMARQUES NOTAS	
	37846	CLUTCH PACK ASSY.- INCLUDES ITEMS 1 TO 30	1							
1	11299	PLATE - EXTERNAL SPLINED	10							
2	11303	O RING	1							
3	11305	DISC - VALVE	1							
4	11307	SNAP RING	1							
5	11314	SNAP RING	1							
6	11316	SEAL RING	3							
7	11319	SEAL RING	1							
8	11321	BEARING	2							
9	11322	SEAL RING	1							
10	11323	BEARING	2							
11	11324	SNAP RING	1							
12	37849	HOUSING - PISTON	1							
13	41074	DISC - REINFORCING	1							
14	41076	PISTON	1							
15	41077	HUB ASSY. - INCLUDES HUB, SPRINGS, SPRING RETAINER & PLATE RETAINER	1							
16	41092	PLATE - INTERNAL SPLINED	11							
17	41080	PLATE - CLUTCH BACKING	1							
18	41081	SNAP RING	1							
19	41082	SNAP RING	1							
20	41084	SPRING - OUTER	3							
21	41085	SPRING - INNER	3							
22	41086	SPACER	1							
23	41088	GEAR & DRUM ASSY.	1							
24	29823	WASHER - .125"	2							
25	41090	SPACER	1							
26	41103	SHAFT ASSY. - INCLUDES SHAFT, SEPARATOR PLATE, SNAP RINGS & DOWEL PINS	1							
27	41104	RETAINER	4							
28	41105	SNAP RING	1							
29	41106	HOUSING - PISTON RETURN	1							
30	42974	WASHER - .063"	2							
	37196	REPAIR KIT - INCLUDES ITEMS - 1,2,4 TO 11 16,18,19,24,27,28,30.	A.R.							



EFFECTIVE SERIAL NUMBERS)
NUMEROS) DE SÉRIE EFFECTIFS)
NUMEROS) DE SERIE EFECTIVOS)

20242, 20245, 20250, 20253,
20260, 20265 to 21005,
21007 to 21052
& 21159 to 21167

700 SERIES
SERIE 700

SECTION 6 PAGE 11
SECTION 6 PAGINA 11

ISSUE No.
N° D'ÉMISSION
N° DE EDICION 3 REVISION A

REVERSE CLUTCH & SHAFT ASSEMBLY

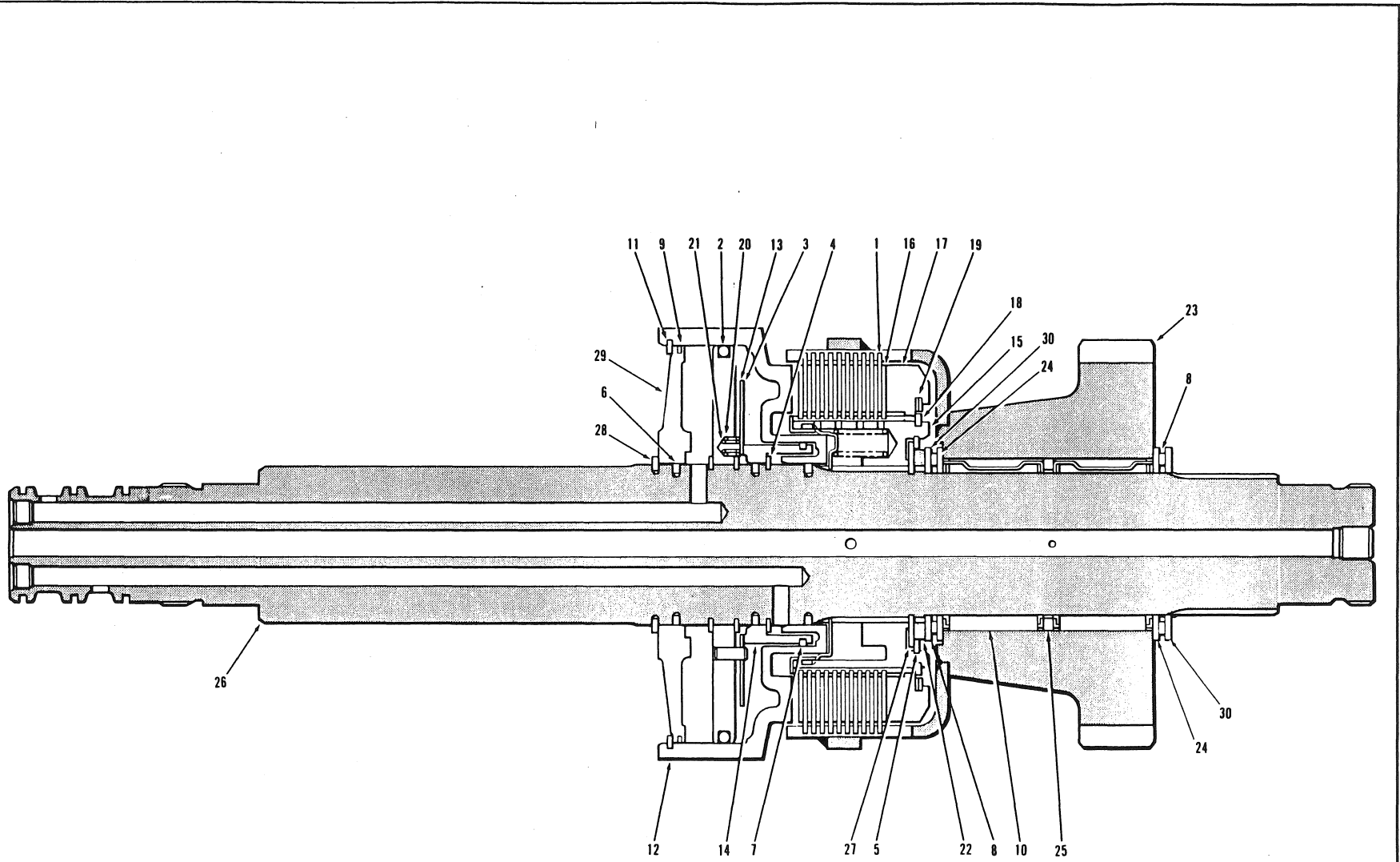
MARCH 1991

FOR LIST OF PARTS - TURN THIS PAGE

POUR LA LISTE DES PIÈCES - VOIR AU VERSO

PARA LA LISTA DE LAS PIEZAS - VER AL VERSO

No. N° N°	PART No. N° DE PIÈCE N° DE PIEZA	DESCRIPTION DÉSCRIPTION DESCRIPCION	No. REQ. N° REQ. N° REQ.	REMARKS REMARQUES NOTAS	No. N° N°	PART No. N° DE PIECE N° DE PIEZA	DESCRIPTION DÉSCRIPTION DESCRIPCION	No. REQ. N° REQ. N° REQ.	REMARKS REMARQUES NOTAS
	*53768	CLUTCH PACK ASSEMBLY - INCLUDES ITEMS 1 TO 30	1						
	*55275	REPAIR KIT - INCLUDES ITEMS 1, 2, 4 TO 11, 16 18, 19, 24, 27, 28 & 30	1						
1	11299	PLATE - EXTERNAL SPLINED	10						
2	11303	O-RING	1						
3	11305	DISC - VALVE	1						
4	11307	SNAP RING	1						
5	11314	SNAP RING	1						
6	11316	SEAL RING	3						
7	11319	SEAL RING	1						
8	11321	BEARING	2						
9	11322	SEAL RING	1						
10	11323	BEARING	2						
11	11324	SNAP RING	1						
12	37849	HOUSING - PISTON	1						
13	41074	DISC - REINFORCING	1						
14	41076	PISTON	1						
15	41077	HUB ASSEMBLY - INCLUDES HUB, SPRINGS, SPRING RETAINER & PLATE RETAINER	1						
16	*53950	PLATE - INTERNAL SPLINED	11						
17	41080	PLATE - CLUTCH BACKING	1						
18	41081	SNAP RING	1						
19	41082	SNAP RING	1						
20	41084	SPRING - OUTER	3						
21	41085	SPRING - INNER	3						
22	41086	SPACER	1						
23	41088	GEAR & DRUM ASSEMBLY	1						
24	29823	WASHER - .125"	2						
25	41090	SPACER	1						
26	41103	SHAFT ASSEMBLY - INCLUDES SHAFT, SEPARATOR PLATE, SNAP RINGS & DOWEL PINS	1						
27	41104	RETAINER	4						
28	41105	SNAP RING	1						
29	41106	HOUSING - PISTON RETURN	1						
30	42974	WASHER - .063"	2						



EFFECTIVE SERIAL NUMBERS) 21006, 21053 & UP
NUMEROS) DE SÉRIE EFFECTIFS) EXCLUDING 21159 thru 21167
NUMEROS) DE SERIE EFFECTIVOS)

700 SERIES
SERIE 700

SECTION 6
SECTION 6
PAGE 11
PAGINA 11

ISSUE No.
N° D'ÉMISSION
N° DE EDICION 4

REVERSE CLUTCH & SHAFT ASSEMBLY

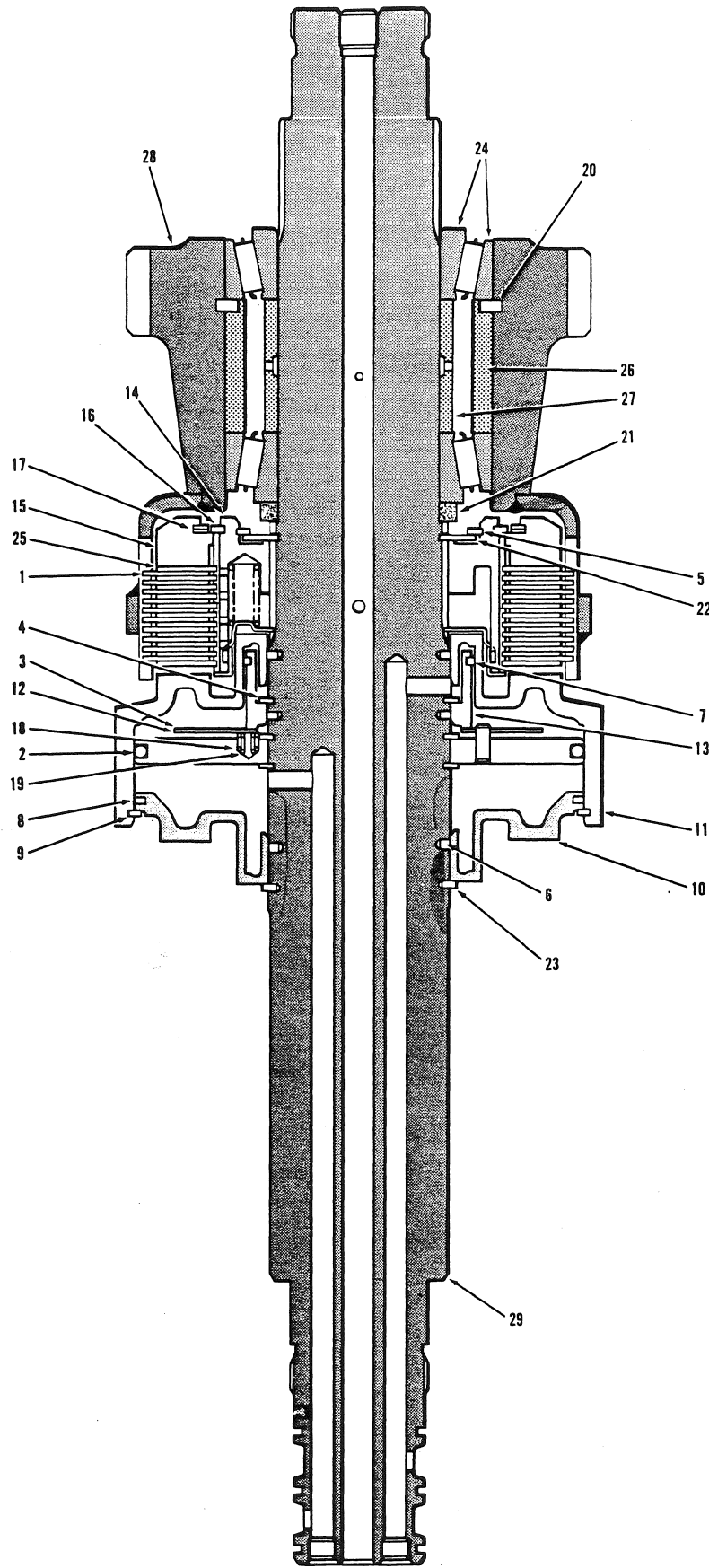
NOVEMBER 1990

FOR LIST OF PARTS - TURN THIS PAGE

POUR LA LISTE DES PIÈCES - VOIR AU VERSO

PARA LA LISTA DE LAS PIEZAS - VER AL VERSO

SECTION SECCION		PAGE PAGINA		ISSUE No. N° D'ÉMISSION N° DE EDICION		REVERSE CLUTCH & SHAFT ASSEMBLY			NOVEMBER 1990	
No. N° N°	PART No. N° DE PIÈCE N° DE PIEZA	DESCRIPTION DÉSCRIPTION DESCRIPCION	No. REQ. N° REQ. N° REQ.	REMARKS REMARQUES NOTAS	No. N° N°	PART No. N° DE PIÈCE N° DE PIEZA	DESCRIPTION DÉSCRIPTION DESCRIPCION	No. REQ. N° REQ. N° REQ.	REMARKS REMARQUES NOTAS	
	* 58115	CLUTCH PACK ASSEMBLY - INCLUDES ITEMS 1 TO 30	1							
	55275	REPAIR KIT FOR 58115 - CLUTCH PACK ASSEMBLY - INCLUDES ITEMS 1, 2, 4 TO 11, 16 18, 19, 24, 27, 28 & 30	1 per							
1	11299	PLATE - EXTERNAL SPLINED	10							
2	11303	O RING	1							
3	11305	DISC - VALVE	1							
4	11307	SNAP RING	1							
5	11314	SNAP RING	1							
6	11316	SEAL RING	3							
7	11319	SEAL RING	1							
8	11321	BEARING	2							
9	11322	SEAL RING	1							
10	11323	BEARING	2							
11	11324	SNAP RING	1							
12	37849	HOUSING - PISTON	1							
13	41074	DISC - REINFORCING	1							
14	41076	PISTON	1							
15	41077	HUB ASSEMBLY - INCLUDES HUB, SPRINGS, SPRING RETAINER & PLATE RETAINER	1							
16	53950	PLATE - INTERNAL SPLINED	11							
17	41080	PLATE - CLUTCH BACKING	1							
18	41081	SNAP RING	1							
19	41082	SNAP RING	1							
20	41084	SPRING - OUTER	3							
21	41085	SPRING - INNER	3							
22	41086	SPACER	1							
23	41088	GEAR & DRUM ASSEMBLY	1							
24	29823	WASHER - .125"	2							
25	41090	SPACER	1							
26	* 39108	SHAFT ASSEMBLY - INCLUDES SHAFT, SEPARATOR PLATE, SNAP RINGS & DOWEL PINS	1							
27	41104	RETAINER	4							
28	41105	SNAP RING	1							
29	* 39109	HOUSING - PISTON RETURN	1							
30	42974	WASHER - .063"	2							



AUGUST 1992

REVERSE CLUTCH & SHAFT ASSEMBLY

PARA LA LISTA DE LAS PIEZAS - VER AL VERSO

POUR LA LISTE DES PIÈCES - VOIR AU VERSO

FOR LIST OF PARTS - TURN THIS PAGE

REVISION A

ISSUE No
N° D'ÉMISSION
N° DE EDICION

EFFECTIVE SERIAL NUMBER(S)
NUMERO(S) DE SÉRIE EFFECTIF(S)
NUMERO(S) DE SERIE EFECTIVO(S)

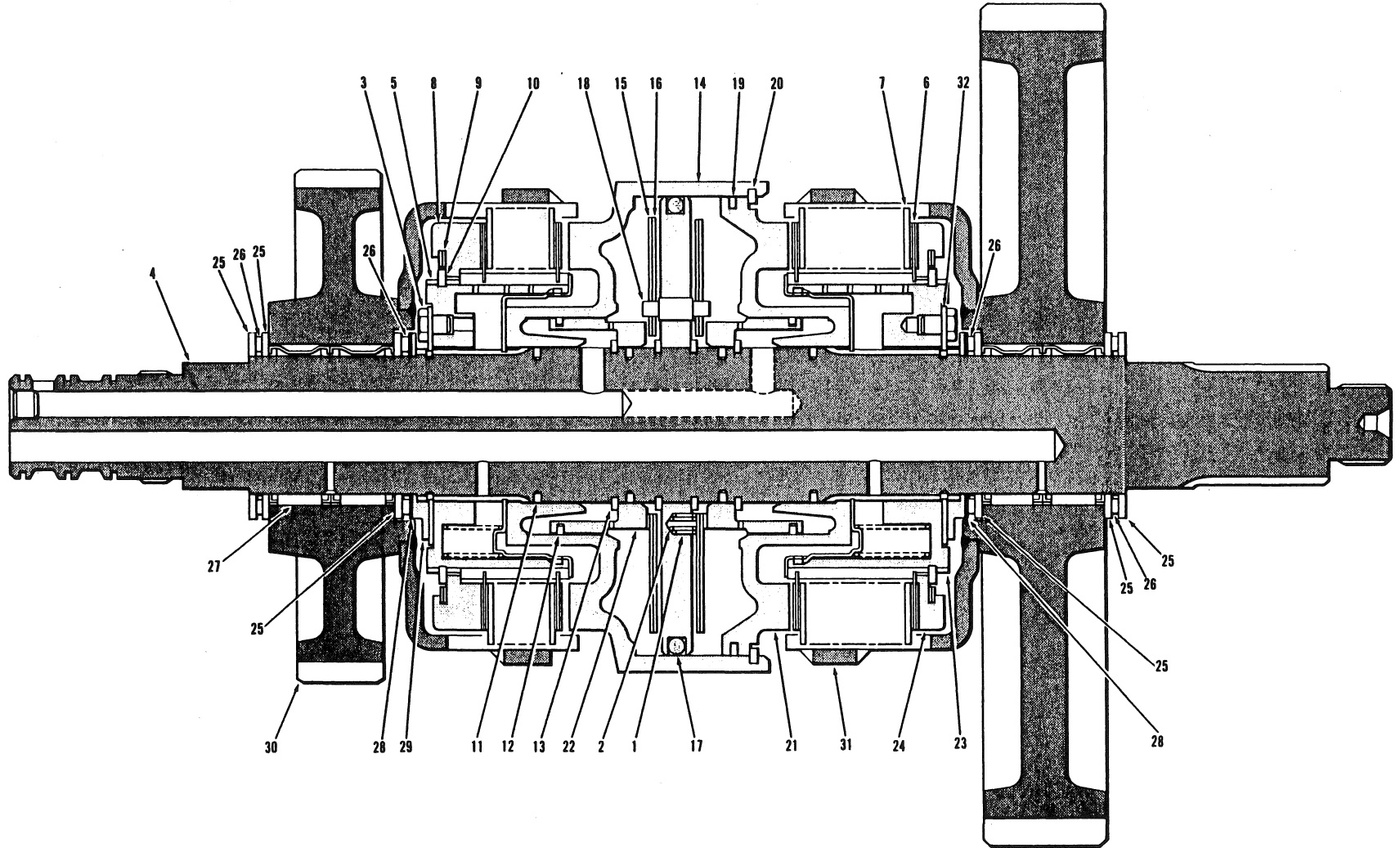
22380 & UP
EXCLUDING 22420 &
22424 to 22427

700 SERIES
SERIE 700

SECTION
SECCION 6

PAGE
PAGINA 11

SECTION SECCION		PAGE PAGINA		ISSUE No. N° D'ÉMISSION N° DE EDICION		5 REVISION A		REVERSE CLUTCH & SHAFT ASSEMBLY		AUGUST 1992	
No. N° N°	PART No. N° DE PIÈCE N° DE PIEZA	DESCRIPTION DÉSCRIPTION DESCRIPCION	No. REQ. N° REQ. N° REQ.	REMARKS REMARQUES NOTAS	No. N° N°	PART No. N° DE PIÈCE N° DE PIEZA	DESCRIPTION DÉSCRIPTION DESCRIPCION	No. REQ. N° REQ. N° REQ.	REMARKS REMARQUES NOTAS		
	*65643	CLUTCH PACK ASSEMBLY - INCLUDES ITEMS 1 to 29	1								
	*63166	REPAIR KIT FOR 65643 - CLUTCH PACK ASSEMBLY - INCLUDES ITEMS 1, 2, 4 to 9, 16, 17, 20 & 22 to 27	1 per								
1	11299	PLATE - EXTERNALLY SPLINED	10								
2	11303	O-RING	1								
3	11305	DISC - VALVE	1								
4	11307	SNAP RING	1								
5	11314	SNAP RING	1								
6	11316	SEAL RING	3								
7	11319	SEAL RING	1								
8	11322	SEAL RING	1								
9	11324	SNAP RING	1								
10	*37848	PISTON - CLUTCH	1								
11	37849	HOUSING - PISTON	1								
12	41074	DISC - REINFORCING	1								
13	41076	PISTON - ACCELERATING	1								
14	41077	HUB ASSEMBLY - INCLUDES HUB, SPRINGS, SPRING RETAINER & PLATE RETAINER	1								
15	41080	PLATE - CLUTCH BACKING	1								
16	41081	SNAP RING	1								
17	41082	SNAP RING	1								
18	41084	SPRING - OUTER	3								
19	41085	SPRING - INNER	3								
20	*41098	SNAP RING	1								
21	*41102	SPACER	1								
22	41104	RETAINER	4								
23	41105	SNAP RING	1								
24	*41504	CUP & CONE ASSEMBLY	2								
25	53950	PLATE - INTERNALLY SPLINED	11								
26	*63159	SPACER	1								
27	*63160	SPACER	1								
28	*63161	GEAR & DRUM ASSEMBLY	1								
29	*63164	SHAFT ASSEMBLY - INCLUDES SHAFT, SEPARATOR PLATE, SNAP RINGS & DOWEL PINS	1								



EFFECTIVE SERIAL NUMBERS (S)
 NUMEROS (S) DE SÉRIE EFFECTIFS (S)
 NUMEROS (S) DE SERIE EFECTIVOS (S)
 16224, 16245 & UP
 U.S. 2021-2 & UP

700 SERIES
 SERIE 700

SECTION 6 PAGE 13
 SECCION 6 PAGINA 13

USE ONLY CHAMPION APPROVED PARTS

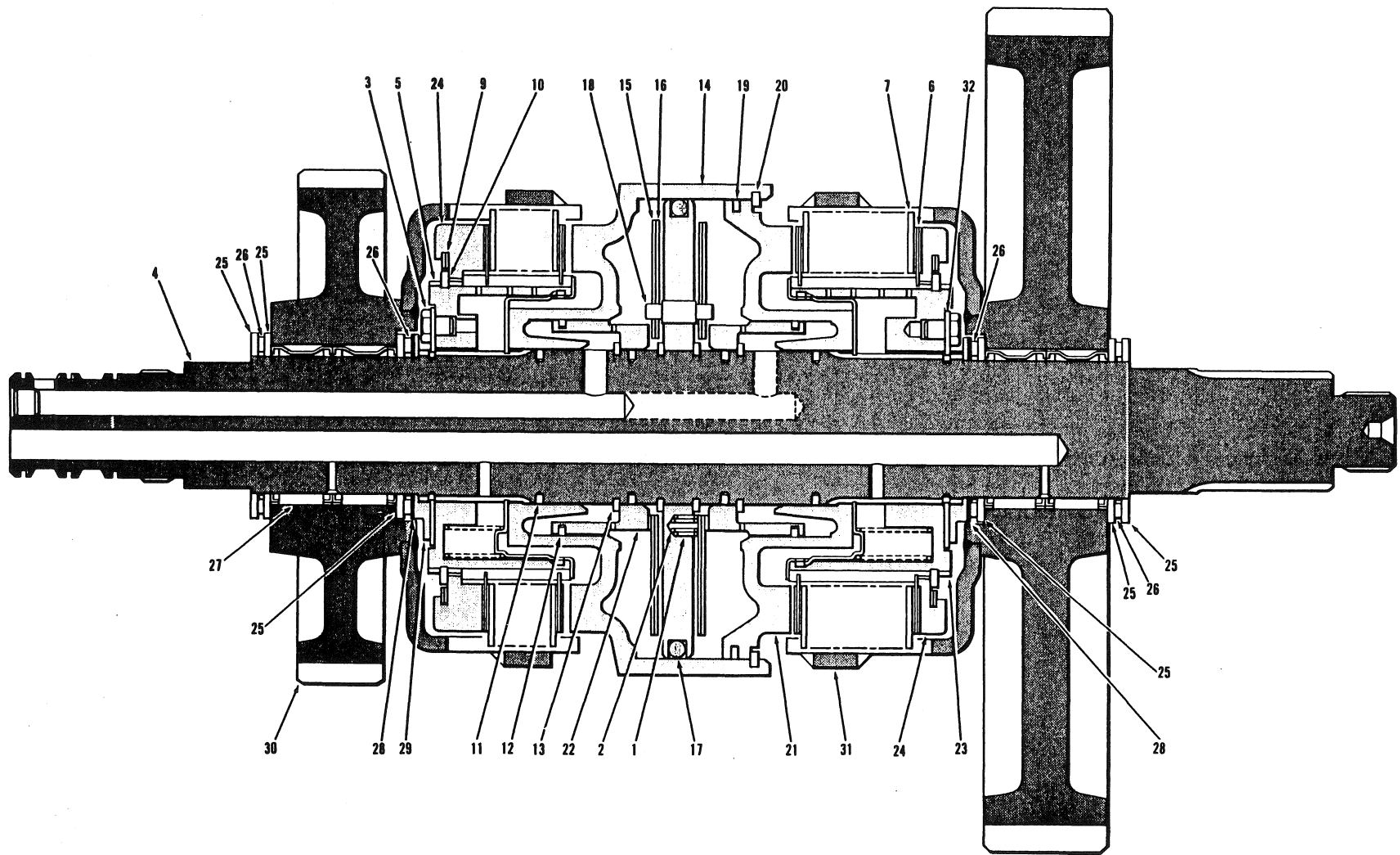
ISSUE No.
 N° D'ÉMISSION
 N° DE EDICION 1 REVISION C

OUTPUT CLUTCH & SHAFT ASSEMBLY

JANUARY 1986

FOR LIST OF PARTS - TURN THIS PAGE POUR LA LISTE DES PIÈCES - VOIR AU VERSO PARA LA LISTA DE LAS PIEZAS - VER AL VERSO

SECTION SECCION 6		PAGE PAGINA 14	ISSUE No. N° D'ÉMISSION N° DE EDICION	1 REVISION C	OUTPUT CLUTCH & SHAFT ASSEMBLY			JANUARY 1986		
No. N° N°	PART No. N° DE PIÈCE N° DE PIEZA	DESCRIPTION DÉSCRIPTION DESCRIPCION	No. REQ. N° REQ. N° REQ.	REMARKS REMARQUES NOTAS	No. N° N°	PART No. N° DE PIECE N° DE PIEZA	DESCRIPTION DÉSCRIPTION DESCRIPCION	No. REQ. N° REQ. N° REQ.	REMARKS REMARQUES NOTAS	
	29714	CLUTCH PACK ASSY.- INCLUDES ITEMS 1 TO 32	1							
	*37194	REPAIR KIT FOR CLUTCH PACK - INCLUDES ITEMS 3,6,7,9 TO 13,17,19,20,25 TO 28,32								
1	19453	SPRING - OUTER	6							
2	19454	SPRING - INNER	6							
3	19456	BOLT	4							
4	41109	SHAFT ASSY. - INCLUDES SHAFT, SEPARATOR PLATE, SNAP RINGS & DOWEL PINS	1							
5	41110	HUB ASSY. - INCLUDES HUB, SPRINGS, SPRING RETAINER & PLATE RETAINER	1							
6	41112	PLATE - INTERNAL SPLINED	18							
7	41113	PLATE - EXTERNAL SPLINED	16							
8	41114	PLATE - CLUTCH BACKING	1							
9	41115	SNAP RING	2							
10	41116	SNAP RING	2							
11	41117	SEAL RING	4							
12	41118	SEAL RING	2							
13	41119	SNAP RING	2							
14	41120	HOUSING - PISTON	1							
15	41121	DISC - VALVE	2							
16	41122	DISC - REINFORCING	2							
17	41123	O RING	1							
18	41124	DOWEL PIN	3							
19	41125	SEAL RING	1							
20	41126	SNAP RING	1							
21	41127	PISTON - CLUTCH	1							
22	41128	PISTON - ACCELERATING	1							
23	41129	HUB ASSY. - INCLUDES HUB, SPRINGS, SPRING RETAINER & PLATE RETAINER	1							
24	41130	PLATE - CLUTCH BACKING	1							
25	41131	WASHER - .125" THICK	6							
26	41132	BEARING	4							
27	41133	BEARING	4							
28	41134	WASHER - .031" THICK	2							
29	41135	SPACER	2							
30	41136	GEAR & DRUM ASSY.	1							
31	41137	GEAR & DRUM ASSY.	1							
32	41138	RETAINER	4							



OUTPUT CLUTCH & SHAFT ASSEMBLY

OCTOBER 1989

FOR LIST OF PARTS - TURN THIS PAGE POUR LA LISTE DES PIÈCES - VOIR AU VERSO PARA LA LISTA DE LAS PIEZAS - VER AL VERSO

EFFECTIVE SERIAL NUMBERS)
NUMEROS) DE SÉRIE EFFECTIFS)
NUMEROS) DE SERIE EFECTIVOS)

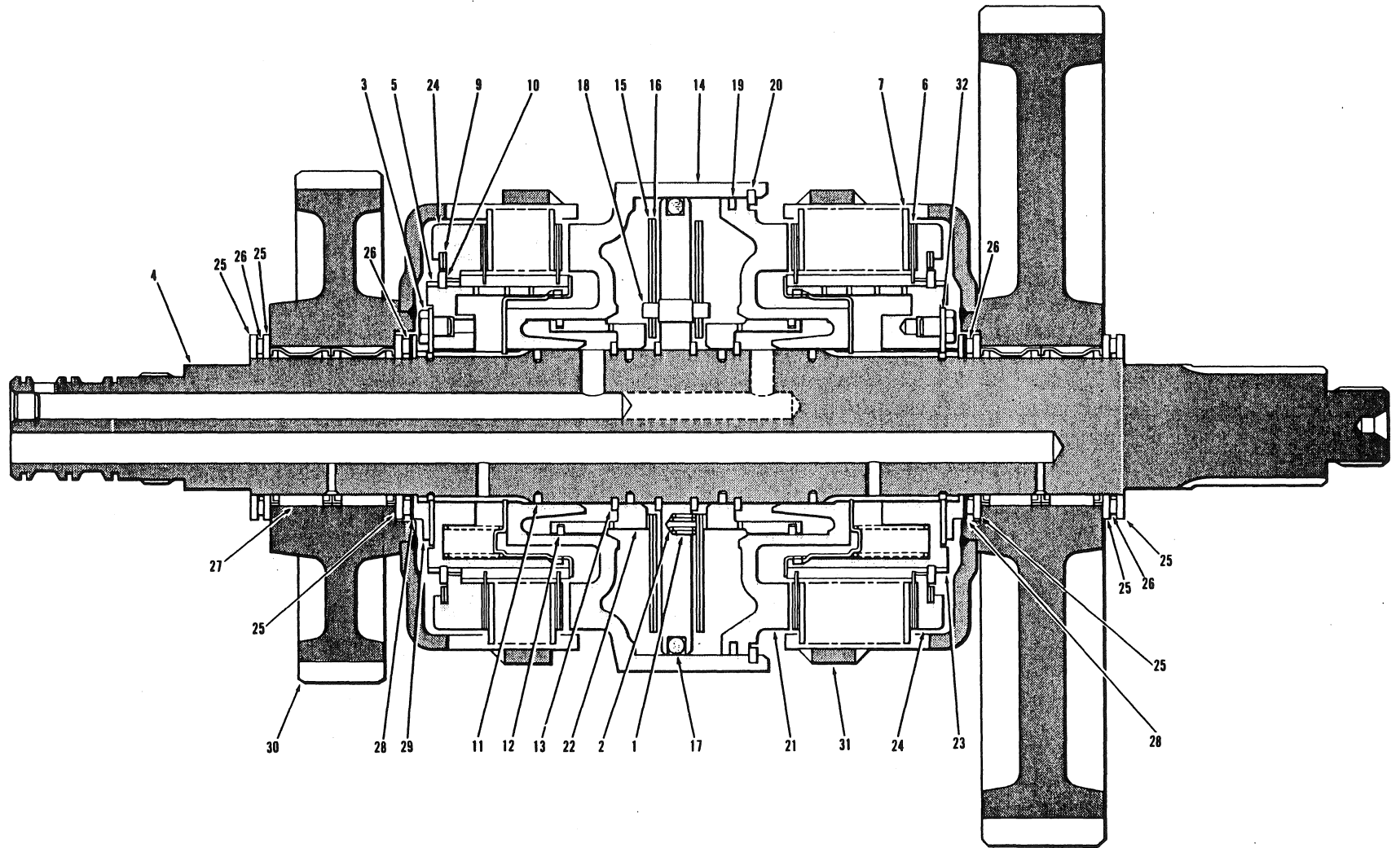
20242, 20245, 20250, 20253,
20260, 20265 & UP

700 SERIES
SERIE 700

SECTION 6 PAGE 13
SECTION 6 PAGINA 13

ISSUE No.
N° D'ÉMISSION
N° DE EDICION 2

SECTION SECCION		PAGE PAGINA		ISSUE No. N° D'ÉMISSION N° DE EDICION		OUTPUT CLUTCH & SHAFT ASSEMBLY			OCTOBER 1989	
No. N° N°	PART No. N° DE PIÈCE N° DE PIEZA	DESCRIPTION DÉSCRIPTION DESCRIPCION	No. REQ. N° REQ. N° REQ.	REMARKS REMARQUES NOTAS	No. N° N°	PART No. N° DE PIÈCE N° DE PIEZA	DESCRIPTION DÉSCRIPTION DESCRIPCION	No. REQ. N° REQ. N° REQ.	REMARKS REMARQUES NOTAS	
	*54764	CLUTCH PACK ASSEMBLY - INCLUDES ITEMS 1 TO 32	1							
	*55273	REPAIR KIT FOR CLUTCH PACK - INCLUDES ITEMS 3, 6, 7, 9 TO 13, 17, 19, 20, 25 TO 28 & 32	1							
1	19453	SPRING - OUTER	6							
2	19454	SPRING - INNER	6							
3	19456	BOLT	4							
4	41109	SHAFT ASSEMBLY - INCLUDES SHAFT, SEPARATOR PLATE, SNAP RINGS & DOWEL PINS	1							
5	41110	HUB ASSEMBLY - INCLUDES HUB, SPRINGS, SPRING RETAINER & PLATE RETAINER	1							
6	*53951	PLATE - INTERNAL SPLINED	20							
7	*55272	PLATE - EXTERNAL SPLINED	18							
9	41115	SNAP RING	2							
10	41116	SNAP RING	2							
11	41117	SEAL RING	4							
12	41118	SEAL RING	2							
13	41119	SNAP RING	2							
14	41120	HOUSING - PISTON	1							
15	41121	DISC - VALVE	2							
16	41122	DISC - REINFORCING	2							
17	41123	O RING	1							
18	41124	DOWEL PIN	3							
19	41125	SEAL RING	1							
20	41126	SNAP RING	1							
21	41127	PISTON - CLUTCH	1							
22	41128	PISTON - ACCELERATING	1							
23	41129	HUB ASSEMBLY - INCLUDES HUB, SPRINGS, SPRING RETAINER & PLATE RETAINER	1							
24	*41130	PLATE - CLUTCH BACKING	2							
25	41131	WASHER - .125" THICK	6							
26	41132	BEARING	4							
27	41133	BEARING	4							
28	41134	WASHER - .031" THICK	2							
29	41135	SPACER	2							
30	41136	GEAR & DRUM ASSEMBLY	1							
31	41137	GEAR & DRUM ASSEMBLY	1							
32	41138	RETAINER	4							



EFFECTIVE SERIAL NUMBERS)
NUMEROSI DE SERIE EFFETTIVI(SI)
NUMEROSI DE SERIE EFFECTIVOS(S)

21698 & UP

700 SERIES
SERIE 700

SECTION 6 PAGE 13
SECCION 6 PAGINA 13

ISSUE No.
N° D'ÉMISSION
N° DE EDICION 3

OUTPUT CLUTCH & SHAFT ASSEMBLY

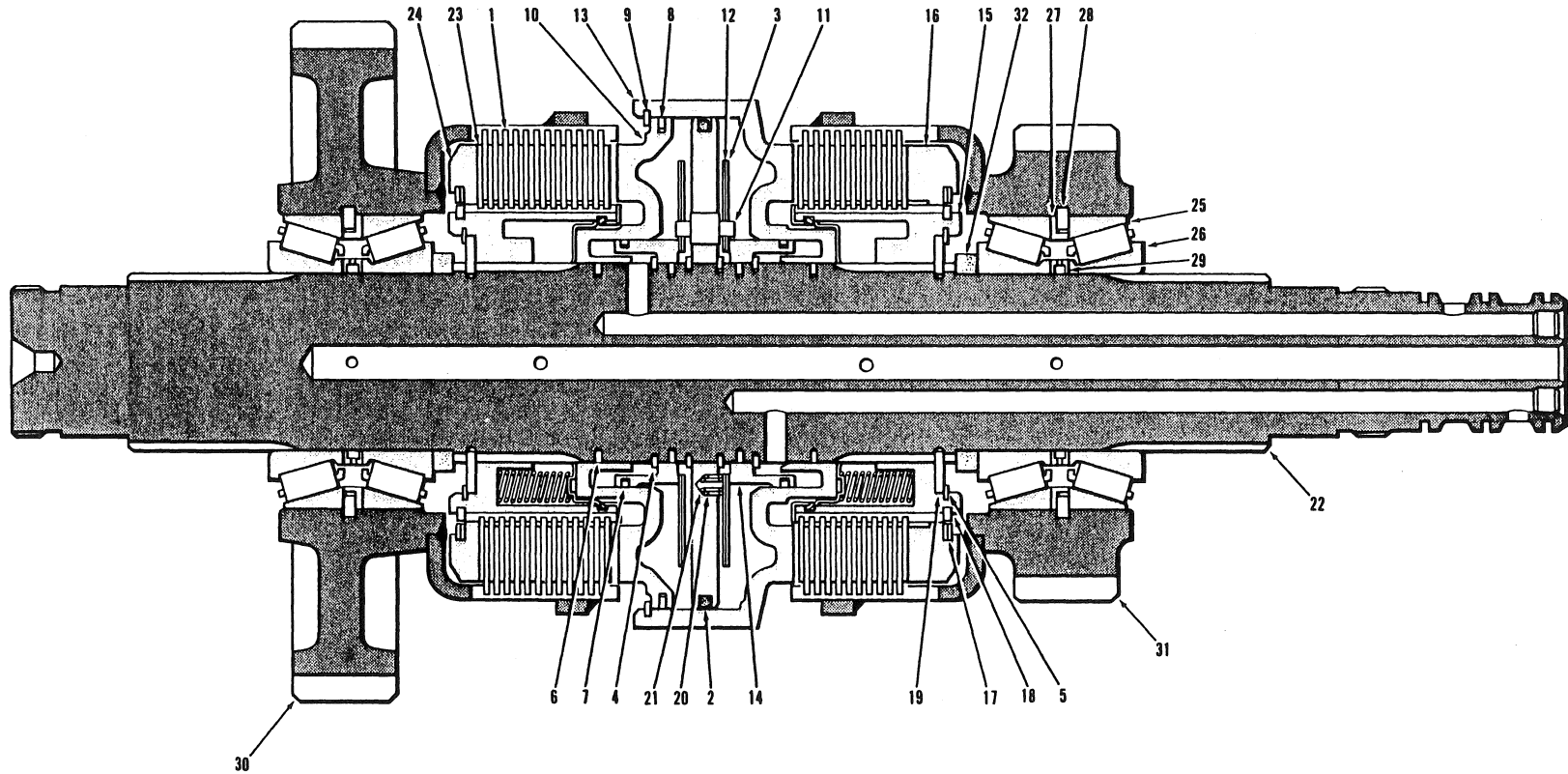
JULY 1991

FOR LIST OF PARTS - TURN THIS PAGE

POUR LA LISTE DES PIÈCES - VOIR AU VERSO

PARA LA LISTA DE LAS PIEZAS - VER AL VERSO

USE ONLY CHAMPION ROAD MACHINERY APPROVED PARTS



USE ONLY  CHAMPION ROAD MACHINERY APPROVED PARTS

EFFECTIVE SERIAL NUMBERS) 16224, 16245 & UP
NUMEROS) DE SERIE EFFECTIFS)
NUMEROS) DE SERIE EFFECTIVOS)
U.S. 2021-2 & UP

700 SERIES
SERIE 700

SECTION 6 PAGE 15
SECCION 6 PAGINA 15

ISSUE No.
N° D'ÉMISSION
N° DE EDICION 1

INTERMEDIATE CLUTCH & SHAFT ASSEMBLY

SEPTEMBER 1984

FOR LIST OF PARTS - TURN THIS PAGE

POUR LA LISTE DES PIÈCES - VOIR AU VERSO

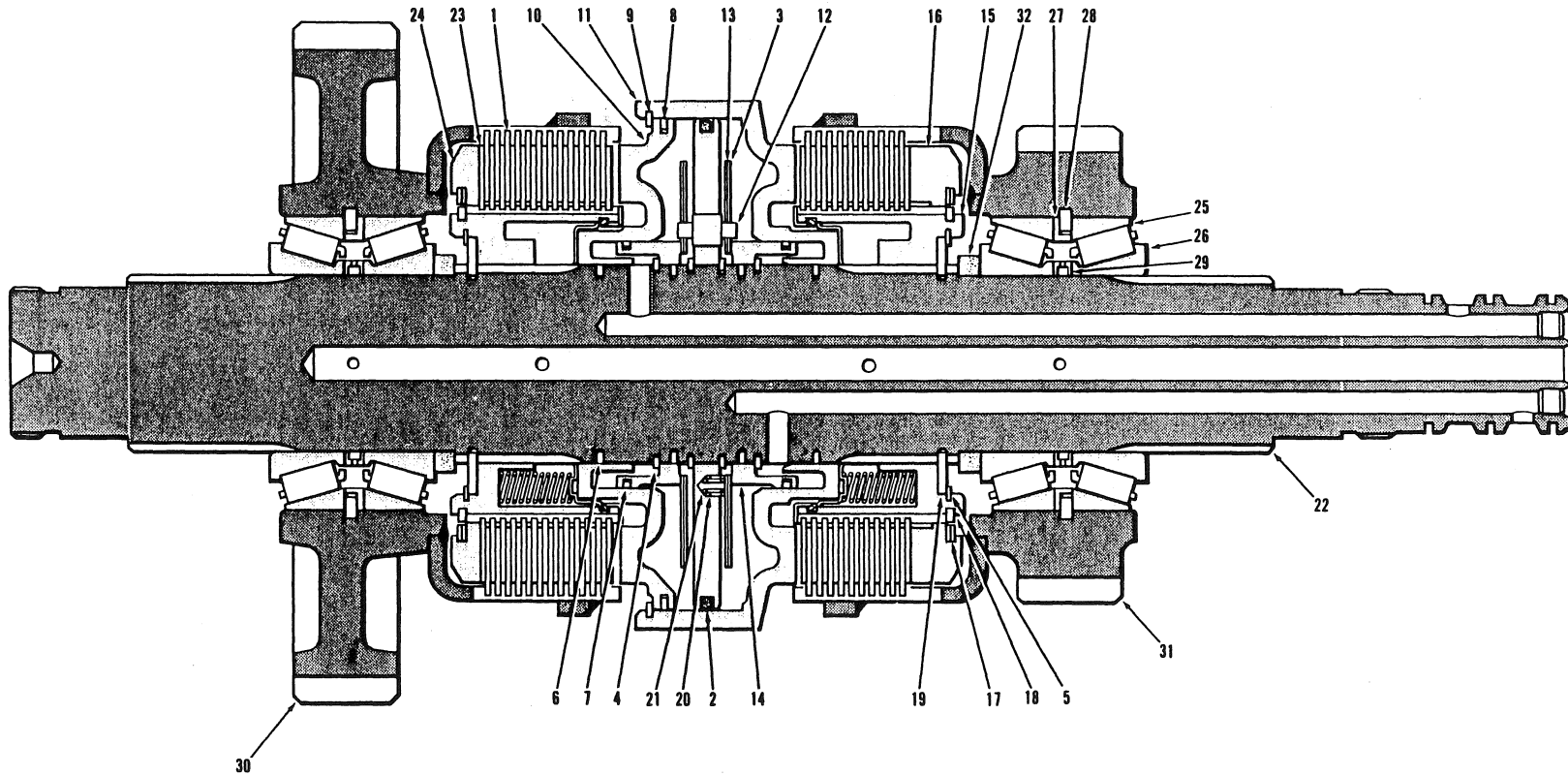
PARA LA LISTA DE LAS PIEZAS - VER AL VERSO

SECTION SECCION 6		PAGE PAGINA 16	ISSUE No. N° D'ÉMISSION N° DE EDICION 1	INTERMEDIATE CLUTCH & SHAFT ASSEMBLY				SEPTEMBER 1984	
No. N° N°	PART No. N° DE PIÈCE N° DE PIEZA	DESCRIPTION DÉSCRIPTION DESCRIPCION	No. REQ. N° REQ. N° REQ.	REMARKS REMARQUES NOTAS	No. N° N°	PART No. N° DE PIECE N° DE PIEZA	DESCRIPTION DÉSCRIPTION DESCRIPCION	No. REQ. N° REQ. N° REQ.	REMARKS REMARQUES NOTAS
	29782	CLUTCH PACK ASSY.- INCLUDES ITEMS 1 TO 32	1						
1	11299	PLATE - EXTERNAL SPLINED	22						
2	11303	O RING	1						
3	11305	DISC - VALVE	2						
4	11307	SNAP RING	2						
5	11314	SNAP RING	2						
6	11316	SEAL RING	4						
7	11319	SEAL RING	2						
8	11322	SEAL RING	1						
9	11324	SNAP RING	1						
10	41072	PISTON - CLUTCH	1						
11	41073	DOWEL PIN	3						
12	41074	DISC - REINFORCING	2						
13	41075	HOUSING - PISTON	1						
14	41076	PISTON - ACCELERATING	2						
15	41077	HUB ASSY. - INCLUDES HUB, SPRINGS, SPRING RETAINER & PLATE RETAINER	2						
16	41080	PLATE - CLUTCH BACKING	2						
17	41081	SNAP RING	2						
18	41082	SNAP RING	2						
19	41083	RETAINER	2						
20	41084	SPRING - OUTER	6						
21	41085	SPRING - INNER	6						
22	41091	SHAFT ASSY. - INCLUDES SHAFT, SEPARATOR PLATE, SNAP RINGS & DOWEL PINS	1						
23	41092	PLATE - INTERNAL SPLINED	24						
24	41093	PLATE - CLUTCH BACKING	1						
25	41095	CUP	4						
26	41096	CONE	4						
27	41097	SPACER - CUP	2						
28	41098	SNAP RING	2						
29	41099	SPACER - CONE	2						
30	41100	GEAR & DRUM ASSY.	1						
31	41101	GEAR & DRUM ASSY.	1						
32	41102	SPACER	2						

EFFECTIVE SERIAL NUMBER(S) 18285 & UP
NUMERO(S) DE SERIE EFFECTIF(S)
NUMERO(S) DE SERIE EFFECTIVO(S)

700 SERIES
SERIE 700

SECTION 6 PAGE 15
SECCION 6 PAGINA 15



USE ONLY CHAMPION ROAD MACHINERY APPROVED PARTS

ISSUE No.
N° D'ÉMISSION
N° DE EDICION 2

INTERMEDIATE CLUTCH & SHAFT ASSEMBLY

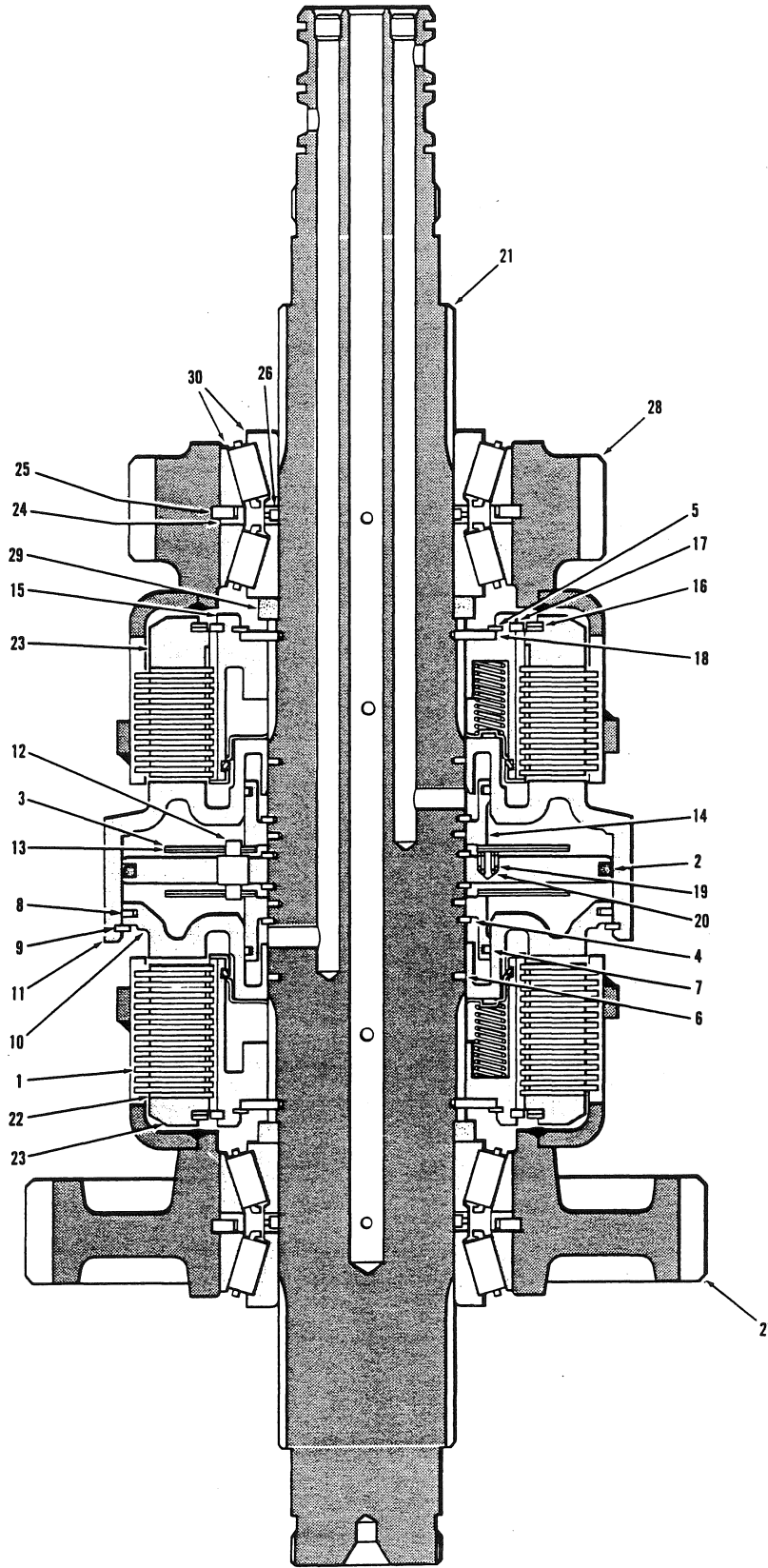
SEPTEMBER 1987

FOR LIST OF PARTS - TURN THIS PAGE

POUR LA LISTE DES PIÈCES - VOIR AU VERSO

PARA LA LISTA DE LAS PIEZAS - VER AL VERSO

SECTION SECCION		PAGE PAGINA	ISSUE No. N° D'ÉMISSION N° DE EDICION	INTERMEDIATE CLUTCH & SHAFT ASSEMBLY			SEPTEMBER 1987		
No. N° N°	PART No. N° DE PIÈCE N° DE PIEZA	DESCRIPTION DÉSCRIPTION DESCRIPCION	No. REQ. N° REQ. N° REQ.	REMARKS REMARQUES: NOTAS	No. N° N°	PART No. N° DE PIÈCE N° DE PIEZA	DESCRIPTION DÉSCRIPTION DESCRIPCION	No. REQ. N° REQ. N° REQ.	REMARKS REMARQUES NOTAS
	*37847	CLUTCH PACK ASSY.- INCLUDES ITEMS 1 TO 32	1						
1	11299	PLATE - EXTERNAL SPLINED	22						
2	11303	O RING	1						
3	11305	DISC - VALVE	2						
4	11307	SNAP RING	2						
5	11314	SNAP RING	2						
6	11316	SEAL RING	4						
7	11319	SEAL RING	2						
8	11322	SEAL RING	1						
9	11324	SNAP RING	1						
10	*37848	PISTON - CLUTCH	1						
11	*37849	HOUSING - PISTON	1						
12	41073	DOWEL PIN	3						
13	41074	DISC - REINFORCING	2						
14	41076	PISTON - ACCELERATING	2						
15	41077	HUB ASSY. - INCLUDES HUB, SPRINGS, SPRING RETAINER & PLATE RETAINER	2						
16	41080	PLATE - CLUTCH BACKING	1						
17	41081	SNAP RING	2						
18	41082	SNAP RING	2						
19	41083	RETAINER	2						
20	41084	SPRING - OUTER	6						
21	41085	SPRING - INNER	6						
22	41091	SHAFT ASSY. - INCLUDES SHAFT, SEPARATOR PLATE, SNAP RINGS & DOWEL PINS	1						
23	41092	PLATE - INTERNAL SPLINED	24						
24	41093	PLATE - CLUTCH BACKING	1						
25	41095	CUP	4						
26	41096	CONE	4						
27	41097	SPACER - CUP	2						
28	41098	SNAP RING	2						
29	41099	SPACER - CONE	2						
30	41100	GEAR & DRUM ASSY.	1						
31	41101	GEAR & DRUM ASSY.	1						
32	41102	SPACER	2						
	*37197	REPAIR KIT - INCLUDES ITEMS - 1,2,4 TO 9, 17 TO 19,23,25 TO 28	A.R.						



AUGUST 1992

INTERMEDIATE CLUTCH & SHAFT ASSEMBLY

PARA LA LISTA DE LAS PIEZAS - VER AL VERSO

POUR LA LISTE DES PIÈCES - VOIR AU VERSO

FOR LIST OF PARTS - TURN THIS PAGE

ISSUE No.
N° D'ÉMISSION
N° DE EDICION 3 REVISION A

EFFECTIVE SERIAL NUMBER(S)
NUMERO(S) DE SÉRIE EFFECTIF(S)
NUMERO(S) DE SERIE EFECTIVO(S)

20242, 20245, 20250, 20253,
20260, 20265 & UP

700 SERIES
SERIE 700

SECTION
SECCION 6

PAGE
PAGINA 15

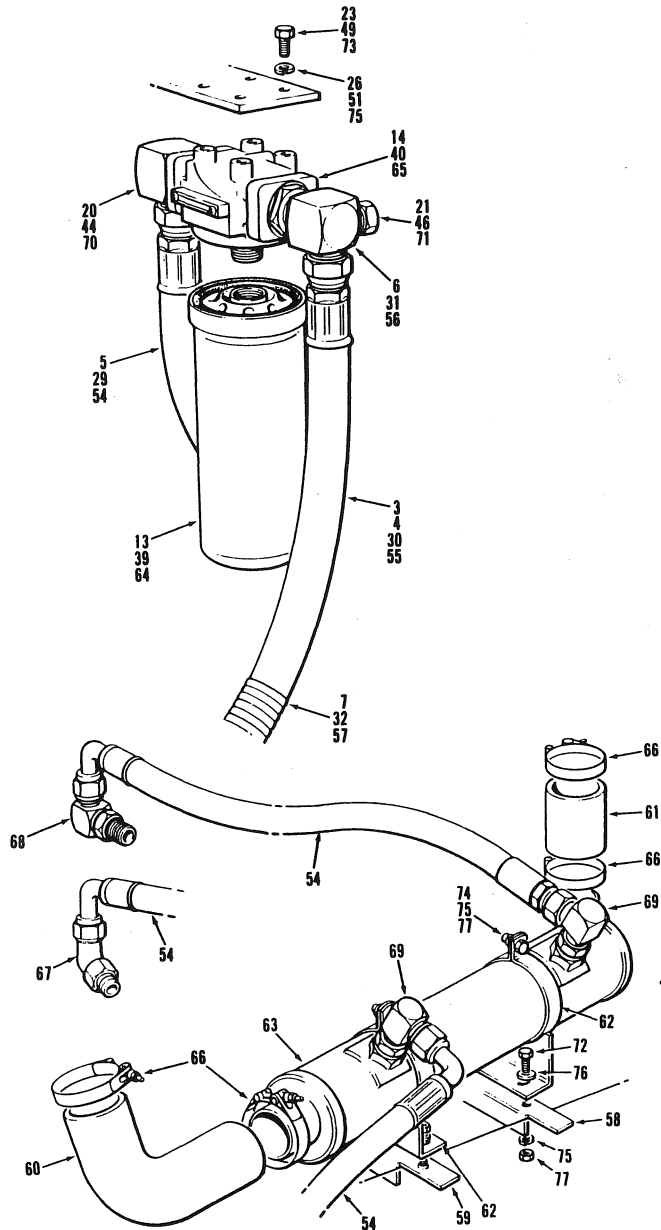
SECTION SECCION		PAGE PAGINA		ISSUE No. N° D'ÉMISSION N° DE EDICION		INTERMEDIATE CLUTCH & SHAFT ASSEMBLY			AUGUST 1992	
No. N° N°	PART No. N° DE PIÈCE N° DE PIEZA	DESCRIPTION DESCRIPTION DESCRIPCION	No. REQ. N° REQ. N° REQ.	REMARKS REMARQUES NOTAS	No. N° N°	PART No. N° DE PIÈCE N° DE PIEZA	DESCRIPTION DESCRIPTION DESCRIPCION	No. REQ. N° REQ. N° REQ.	REMARKS REMARQUES NOTAS	
	54336	CLUTCH PACK ASSEMBLY - INCLUDES ITEMS 1 to 30	1							
	55276	REPAIR KIT FOR 54336 - CLUTCH PACK ASSEMBLY - INCLUDES ITEMS 1, 2, 4 to 9, 16 to 18, 22, 24, 25 & 30	1							
1	11299	PLATE - EXTERNALLY SPLINED	24							
2	11303	O RING	1							
3	11305	DISC - VALVE	2							
4	11307	SNAP RING	2							
5	11314	SNAP RING	2							
6	11316	SEAL RING	4							
7	11319	SEAL RING	2							
8	11322	SEAL RING	1							
9	11324	SNAP RING	1							
10	37848	PISTON - CLUTCH	1							
11	37849	HOUSING - PISTON	1							
12	41073	DOWEL PIN	3							
13	41074	DISC - REINFORCING	2							
14	41076	PISTON - ACCELERATING	2							
15	41077	HUB ASSEMBLY - INCLUDES HUB, SPRINGS, SPRING RETAINER & PLATE RETAINER	2							
16	41081	SNAP RING	2							
17	41082	SNAP RING	2							
18	41083	RETAINER	2							
19	41084	SPRING - OUTER	6							
20	41085	SPRING - INNER	6							
21	54235	SHAFT ASSEMBLY - INCLUDES SHAFT, SEPARATOR PLATE, SNAP RINGS & DOWEL PINS	1							
22	53950	PLATE - INTERNALLY SPLINED	26							
23	41093	PLATE - CLUTCH BACKING	2							
24	41097	SPACER - CUP	2							
25	41098	SNAP RING	2							
26	41099	SPACER - CONE	2							
27	41100	GEAR & DRUM ASSEMBLY	1							
28	41101	GEAR & DRUM ASSEMBLY	1							
29	41102	SPACER	2							
30	*41504	CUP & CONE ASSEMBLY	4							

CHAMPION ROAD MACHINERY

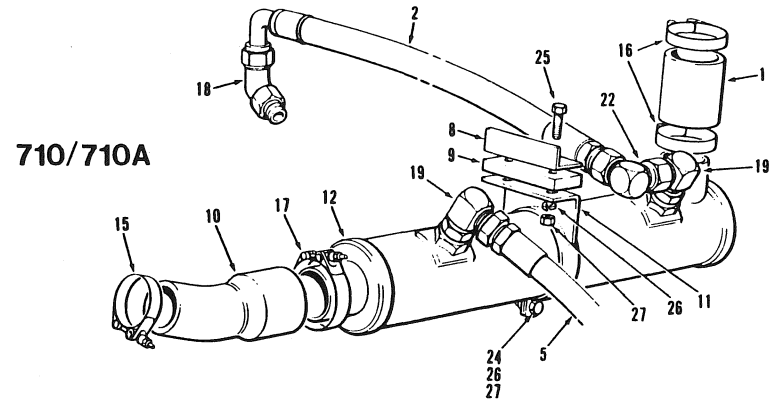
EFFECTIVE SERIAL NUMBER(S) 17581 TO 17596, 17612 & UP
 NUMEROS(S) DE SÉRIE EFFECTIF(S)
 NUMERO(S) DE SÉRIE EFFECTIVO(S)

700 SERIES
 SERIE 700

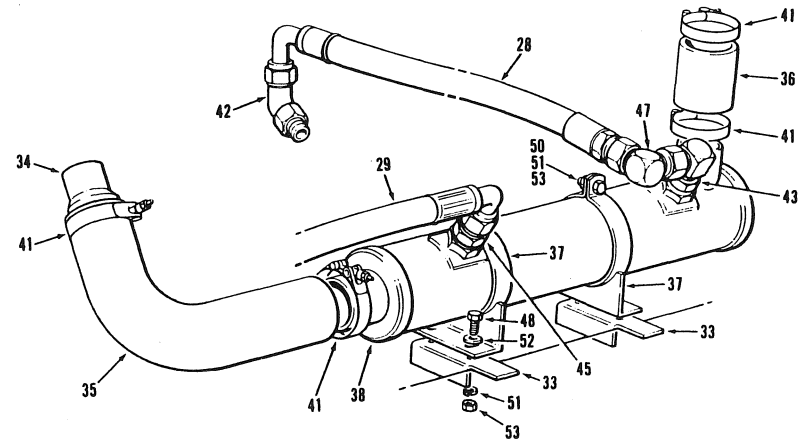
SECTION 6 PAGE 17
 SECCION 6 PAGINA 17



740 thru 780A



710/710A



720 thru 730A

ISSUE No.
 N° D'ÉMISSION
 Nº DE EDICION 1 REVISION A

OIL COOLER INSTALLATION - OPTIONAL (TROPICAL PROTECTION PACKAGE)

MAY 1988

FOR LIST OF PARTS - TURN THIS PAGE

POUR LA LISTE DES PIÈCES - VOIR AU VERSO

PARA LA LISTA DE LAS PIEZAS - VER AL VERSO

USE ONLY CHAMPION ROAD MACHINERY APPROVED PARTS

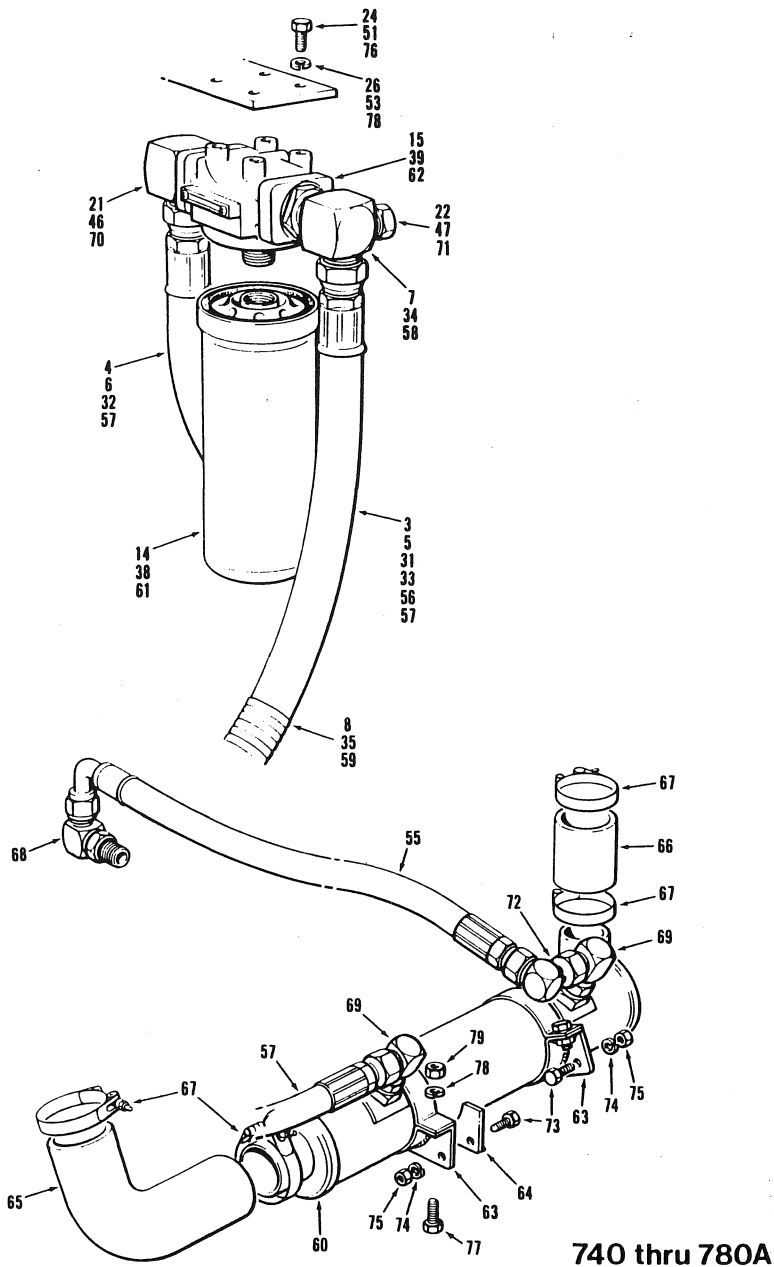
SECTION SECCION 6		PAGE PAGINA 18	ISSUE No. N° D'ÉMISSION N° DE EDICION 1	REVISION A	OIL COOLER INSTALLATION - OPTIONAL (TROPICAL PROTECTION PACKAGE)			MAY 1988		
No. N° N°	PART No. N° DE PIÈCE N° DE PIEZA	DESCRIPTION DESCRIPTION DESCRIPCION	No. REQ. N° REQ. N° REQ.	REMARKS REMARQUES NOTAS	No. N° N°	PART No. N° DE PIECE N° DE PIEZA	DESCRIPTION DESCRIPTION DESCRIPCION	No. REQ. N° REQ. N° REQ.	REMARKS REMARQUES NOTAS	
<u>OIL COOLER INSTALLATION</u>					710, 710A					
1	19865 X 4	HOSE	1		41	22A-294	CLAMP	4		
2	*40308 X 18	HOSE	1		42	111A-1612	CONNECTOR	1		
3	40308 X 52	HOSE	1	710	43	111B-1616	CONNECTOR	1		
4	40308 X 95	HOSE	1	710A	44	111B-1620	CONNECTOR	1		
5	*40309 X 85	HOSE	1		45	111E-1616	CONNECTOR	1		
6	40402	CONNECTOR	1		46	111H-08	PLUG	1		
7	41647 X 16	HOSE WRAP	1	710A	47	*112B-16	CONNECTOR	1		
8	42864	MOUNTING BRACKET	1	REPAIR PART	48	50A-0606	BOLT	4		
9	43017	PAD	1		49	50A-0607	BOLT	4		
10	45210	HOSE	1		50	*50A-0608	BOLT	2		
11	*46836	CLAMP	1		51	14A-06	LOCKWASHER	10		
12	*46970	OIL COOLER	1		52	14C-06	FLATWASHER	4		
13	*49076	ELEMENT	1		53	30A-06	NUT	6		
14	*49077	FILTER ASSEMBLY - C/W ITEM 13	1		<u>OIL COOLER INSTALLATION</u>					
15	22A-256	CLAMP	1		740 THRU 780A					
16	*22A-282	CLAMP	2		54	*40308 X 83	HOSE	2		
17	22A-294	CLAMP	1		55	40308 X 95	HOSE	1		
18	111A-1612	CONNECTOR	1		56	40402	CONNECTOR	1		
19	111B-1616	CONNECTOR	2		57	41647 X 16	HOSE WRAP	1	740A	
20	111B-1620	CONNECTOR	1		58	44781	BRACKET - REAR	1	REPAIR PART	
21	111H-08	PLUG	1		59	44782	BRACKET - FRONT	1	REPAIR PART	
22	112B-16	CONNECTOR	1		60	44852	HOSE	1		
23	50A-0607	BOLT	4		61	44853	HOSE	1		
24	*50A-0608	BOLT	1		62	*46836	CLAMP	2		
25	50A-0610	BOLT	2		63	*46970	OIL COOLER	1		
26	14A-06	LOCKWASHER	7		64	*49076	ELEMENT	1		
27	30A-06	NUT	3		65	*49077	FILTER ASSEMBLY - C/W ITEM 64	1		
<u>OIL COOLER INSTALLATION</u>					720 THRU 730A					
28	40308 X 20	HOSE	1		66	22A-294	CLAMP	4		
29	40308 X 83	HOSE	1		67	*111A-1612	CONNECTOR	1	ARTIC RIGID	
30	40308 X 95	HOSE	1		68	111B-1612	CONNECTOR	1		
31	40402	CONNECTOR	1		69	111B-1616	CONNECTOR	2		
32	41647 X 16	HOSE WRAP	1	720A, 730A	70	111B-1620	CONNECTOR	1		
33	44784	BRACKET	2	REPAIR PART	71	111H-08	PLUG	1		
34	44815	ADAPTER	1		72	50A-0606	BOLT	4		
35	44816	HOSE	1		73	50A-0607	BOLT	4		
36	44854	HOSE	1		74	*50A-0608	BOLT	2		
37	*46836	CLAMP	2		75	14A-06	LOCKWASHER	10		
38	*46970	OIL COOLER	1		76	14C-06	FLATWASHER	4		
39	*49076	ELEMENT	1		77	30A-06	NUT	6		
40	*49077	FILTER ASSEMBLY - C/W ITEM 39	1							

EFFECTIVE SERIAL NUMBERS)
 NUMEROS) DE SERIE EFFECTIFS)
 NUMEROS) DE SERIE EFFECTIVOS)

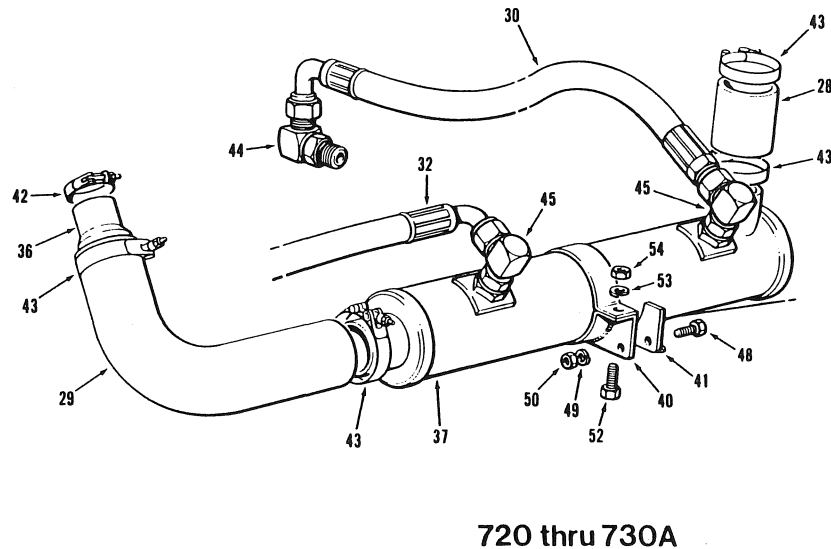
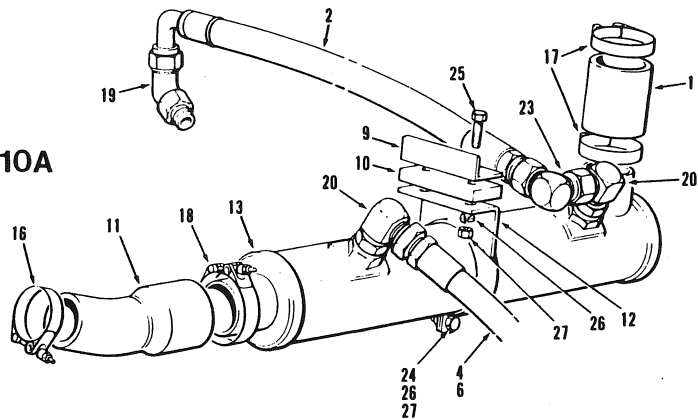
19982, 19984, 19985, 19986,
 20005, 20104, 20106, 20120
 to 20226, 20233 to 20264,
 20376 to 20382

700 SERIES
 SERIE 700

SECTION 6 PAGE 17
 SECCION 6 PAGINA 17



710/710A



ISSUE No.
 N° D'ÉMISSION
 N° DE EDICION 2 REVISION A

OIL COOLER INSTALLATION

JANUARY 1990

FOR LIST OF PARTS - TURN THIS PAGE

POUR LA LISTE DES PIÈCES - VOIR AU VERSO

PARA LA LISTA DE LAS PIEZAS - VER AL VERSO

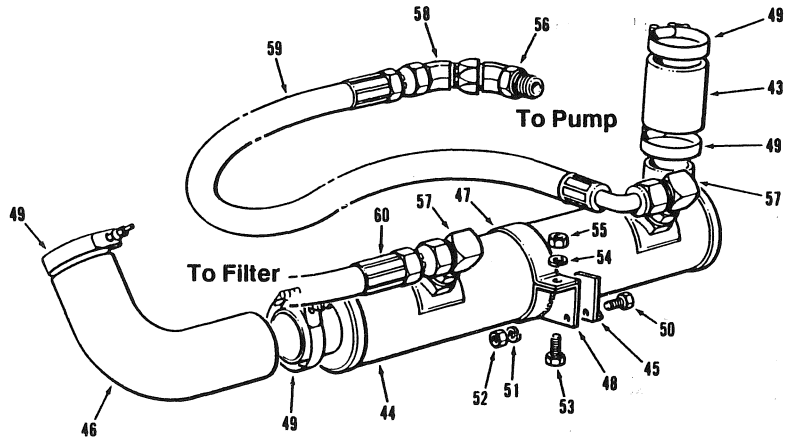
USE ONLY CHAMPION ROAD MACHINERY APPROVED PARTS

SECTION SECCION		PAGE PAGINA		ISSUE No. N° D'ÉMISSION N° DE EDICION		2 REVISION A		OIL COOLER INSTALLATION			JANUARY 1990	
No. N° N°	PART No. N° DE PIÉCE N° DE PIEZA	DESCRIPTION DÉSCRIPTION DESCRIPCION	No. REQ N° REQ. N° REQ.	REMARKS REMARQUES NOTAS	No. N° N°	PART No. N° DE PIÉCE N° DE PIEZA	DESCRIPTION DÉSCRIPTION DESCRIPCION	No. REQ N° REQ. N° REQ.	REMARKS REMARQUES NOTAS			
<u>OIL COOLER INSTALLATION - 6BT5.9 ENGINE</u>												
				710/710A	46	111B-1620	CONNECTOR	1				
1	19865 x 4	HOSE	1		47	111H-08	PLUG	1				
2	40308 x 18	HOSE	1		48	50A-0408	BOLT	1				
3	40308 x 52	HOSE	1	710	49	14A-04	LOCKWASHER	1				
4	*40308 x 85	HOSE	1	710A	50	30A-04	NUT	1				
5	*40308 x 95	HOSE	1		51	50A-0608	BOLT	4				
6	*40309 x 85	HOSE	1	710	52	50A-0610	BOLT	1				
7	40402	CONNECTOR	1		53	14A-06	LOCKWASHER	5				
8	41647 x 16	HOSE WRAP	1	710A	54	30A-06	NUT	1				
9	42864	MOUNTING BRACKET	1	REPAIR PART	<u>OIL COOLER INSTALLATION - LT-10 ENGINE</u>					740 thru 780A		
10	43017	PAD	1									
11	45210	HOSE	1		55	40308 x 18	HOSE	1				
12	46836	CLAMP	1		56	40308 x 49	HOSE	1	740 thru 780			
13	46970	OIL COOLER	1									
14	49076	FILTER ELEMENT	1		57	40308 x 95	HOSE - used on models 740, 750 & 780	1				
15	49077	FILTER ASSEMBLY - C/W ITEM 14	1			40308 x 95	- for models 740A, 750A & 780A	2				
16	22A-256	CLAMP	1		58	40402	CONNECTOR	1				
17	22A-282	CLAMP	2		59	41647 x 16	HOSE WRAP	1	740A thru 780A			
18	22A-294	CLAMP	1		60	46970	OIL COOLER	1				
19	111A-1612	CONNECTOR	1		61	49076	FILTER ELEMENT	1				
20	111B-1618	CONNECTOR	2		62	49077	FILTER ASSEMBLY - C/W ITEM 61	1				
21	111B-1620	CONNECTOR	1		63	*51566	CLAMP	2				
22	111H-08	PLUG	1		64	*51568	BRACKET	1	REPAIR PART			
23	112B-16	CONNECTOR	1		65	*53692	HOSE	1				
24	50A-0608	BOLT	5		66	*53693	HOSE	1				
25	50A-0610	BOLT	2		67	*22A-294	CLAMP	4				
26	14A-06	LOCKWASHER	7		68	111B-1612	CONNECTOR	1				
27	30A-06	NUT	3		69	111B-1616	CONNECTOR	2				
				720 thru 730A	70	111B-1620	CONNECTOR	1				
					71	111H-08	PLUG	1				
					72	112B-16	CONNECTOR	1				
					73	50A-0408	BOLT	2				
28	19865 x 4	HOSE	1		74	14A-04	LOCKWASHER	2				
29	19865 x 18	HOSE	1		75	30A-04	NUT	2				
30	40308 x 20	HOSE	1		76	50A-0608	BOLT	4				
31	40308 x 49	HOSE	1	720 & 730	77	50A-0610	BOLT	2				
32	40308 x 85	HOSE	1		78	14A-06	LOCKWASHER	6				
33	40308 x 95	HOSE	1	720A & 730A	79	30A-06	NUT	2				
34	40402	CONNECTOR	1									
35	41647 x16	HOSE WRAP	1	720A & 730A								
36	44815	ADAPTER	1									
37	46970	OIL COOLER	1									
38	49076	FILTER ELEMENT	1									
39	49077	FILTER ASSEMBLY - C/W ITEM 38	1									
40	51566	CLAMP	1									
41	51568	BRACKET	1	REPAIR PART								
42	22A-238	CLAMP	1									
43	22A-294	CLAMP	3									
44	111B-1612	CONNECTOR	1									
45	111B-1616	CONNECTOR	2									

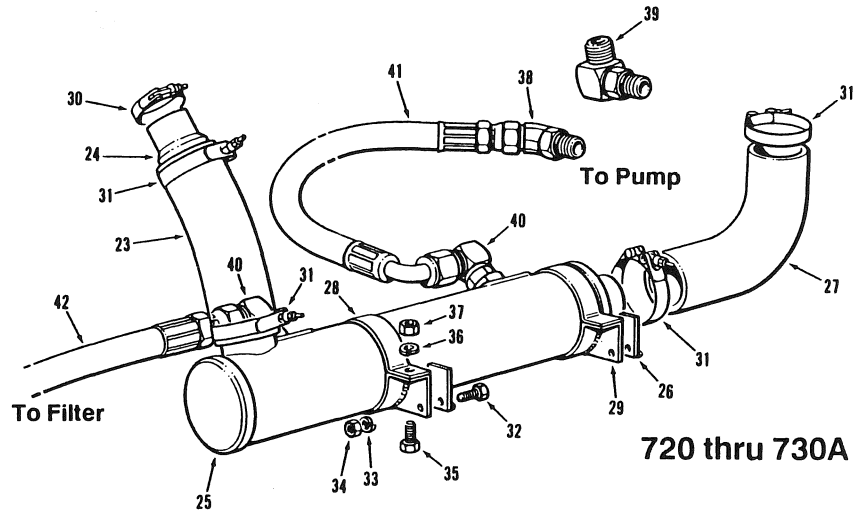
EFFECTIVE SERIAL NUMBERS) 20227 to 20233, 20265 to
NUMEROS) DE SÉRIE EFFECTIF(S) 20375, 20383 & UP
NUMEROS) DE SERIE EFECTIVOS)

700 SERIES
SERIE 700

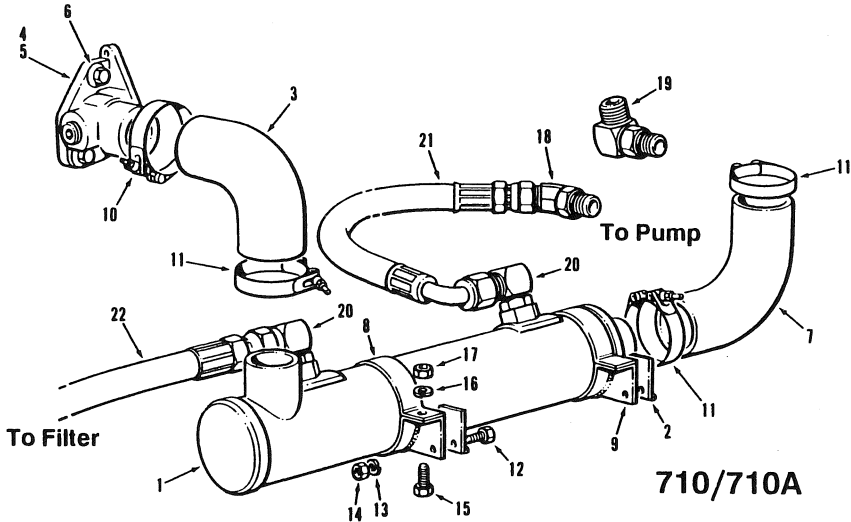
SECTION 6 PAGE 17
SECCION 6 PAGINA 17



740 thru 780A



720 thru 730A



710/710A

ISSUE No.
Nº D'ÉMISSION
Nº DE EDICION 3

OIL COOLER INSTALLATION

JANUARY 1990

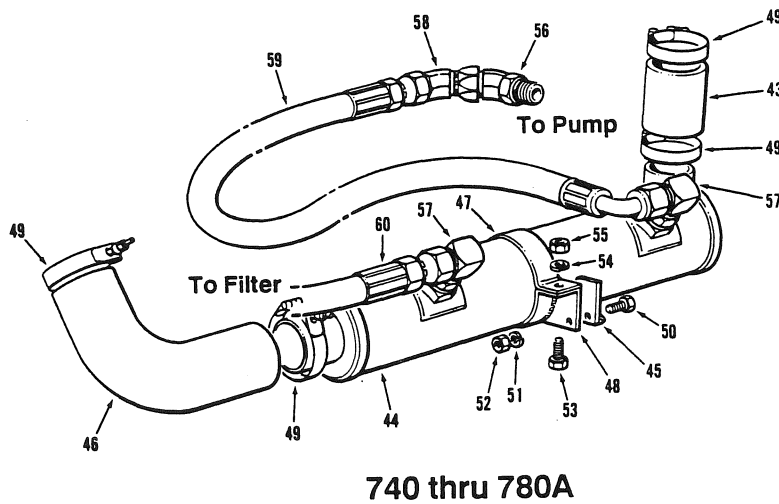
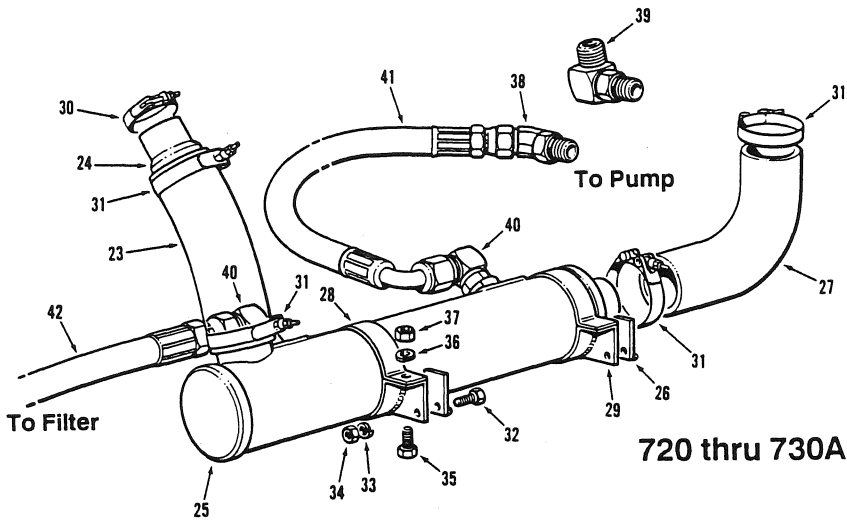
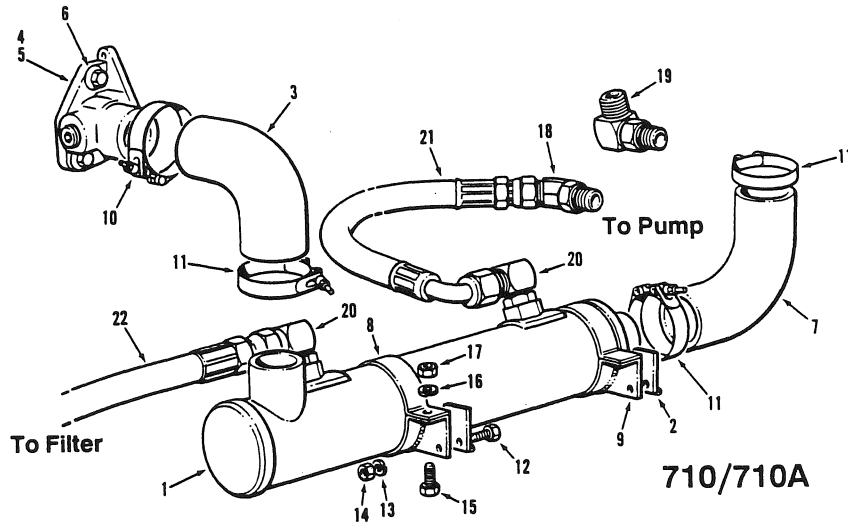
FOR LIST OF PARTS - TURN THIS PAGE

POUR LA LISTE DES PIÈCES - VOIR AU VERSO

PARA LA LISTA DE LAS PIEZAS - VER AL VERSO

USE ONLY CHAMPION ROAD MACHINERY APPROVED PARTS

SECTION SECCION		PAGE PAGINA		ISSUE No. N° D'ÉMISSION N° DE EDICION		OIL COOLER INSTALLATION				JANUARY 1990	
No. N° N°	PART No. N° DE PIÉCE N° DE PIEZA	DESCRIPTION DÉSCRIPTION DESCRIPCION	No. REQ. N° REQ. N° REQ.	REMARKS REMARQUES NOTAS	No. N° N°	PART No. N° DE PIECE N° DE PIEZA	DESCRIPTION DÉSCRIPTION DESCRIPCION	No. REQ. N° REQ. N° REQ.	REMARKS REMARQUES NOTAS		
OIL COOLER INSTALLATION - 6BT5.9 ENGINE				710/710A	OIL COOLER INSTALLATION - LT-10 ENGINE				740 thru 780A		
1	46970	OIL COOLER	1		43	*19865 x 3.5	HOSE	1			
2	*51568	BRACKET	2	REPAIR PART	44	46970	OIL COOLER	1			
3	*52808	HOSE	1		45	51568	BRACKET	1	REPAIR PART		
4	*52813	CONNECTOR	1		46	*52799	HOSE	1			
5	*52814	SEAL RING	1		47	*54690	CLAMP	1			
6	*52815	BOLT	3		48	*54691	CLAMP	1			
7	*52910	HOSE	1		49	22A-294	CLAMP	4			
8	*54690	CLAMP	2		50	50A-0408	BOLT	1			
9	*54691	CLAMP	2		51	14A-04	LOCKWASHER	1			
10	*22A-256	CLAMP	1		52	30A-04	NUT	1			
11	22A-282	CLAMP	3		53	50A-0610	BOLT	2			
12	50A-0408	BOLT	2		54	14A-06	LOCKWASHER	2			
13	14A-04	LOCKWASHER	2		55	30A-06	NUT	2			
14	30A-04	NUT	2								
15	50A-0610	BOLT	4		56	111A-1612	CONNECTOR	1			
16	14A-06	LOCKWASHER	4		57	111B-1616	CONNECTOR	2			
17	30A-06	NUT	4		58	112A-16	CONNECTOR	1			
18	111A1612	CONNECTOR	1		59	40308 x 34	HOSE	1			
19	111B-1612	CONNECTOR	1	A.W.D.	60	40309 x 85	HOSE	1			
20	111B-1616	CONNECTOR	2								
21	40308 x 34	HOSE	1								
22	40309 x 77	HOSE	1								
OIL COOLER INSTALLATION - 6CT8.3 ENGINE				720 thru 730A							
23	*19865 x 8	HOSE	1								
24	44815	ADAPTER	1								
25	46970	OIL COOLER	1								
26	51568	BRACKET	2	REPAIR PART							
27	*52799	HOSE	1								
28	*54690	CLAMP	2								
29	*54691	CLAMP	2								
30	22A-238	CLAMP	1								
31	22A-294	CLAMP	4								
32	50A-0408	BOLT	2								
33	14A-04	LOCKWASHER	2								
34	30A-04	NUT	2								
35	50A-0610	BOLT	4								
36	14A-06	LOCKWASHER	4								
37	30A-06	NUT	4								
38	111A-1612	CONNECTOR	1								
39	111B-1612	CONNECTOR	1	A.W.D.							
40	111B-1616	CONNECTOR	2								
41	40308 x 34	HOSE	1								
42	40309 x 77	HOSE	1								

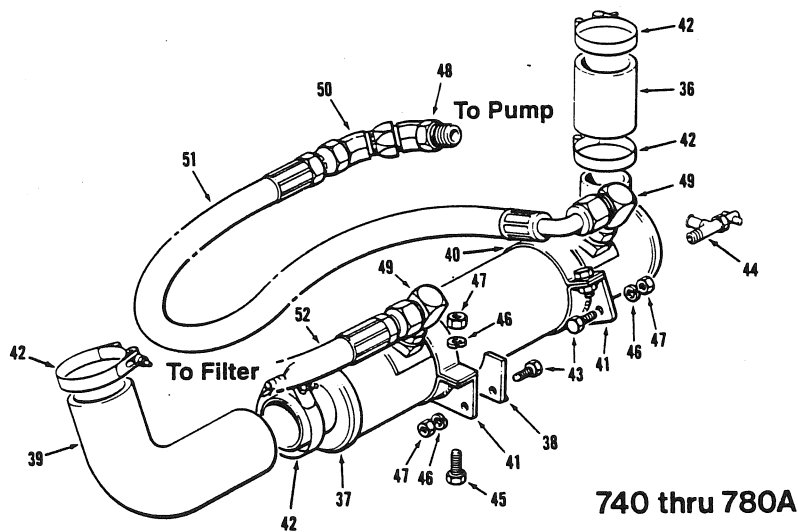
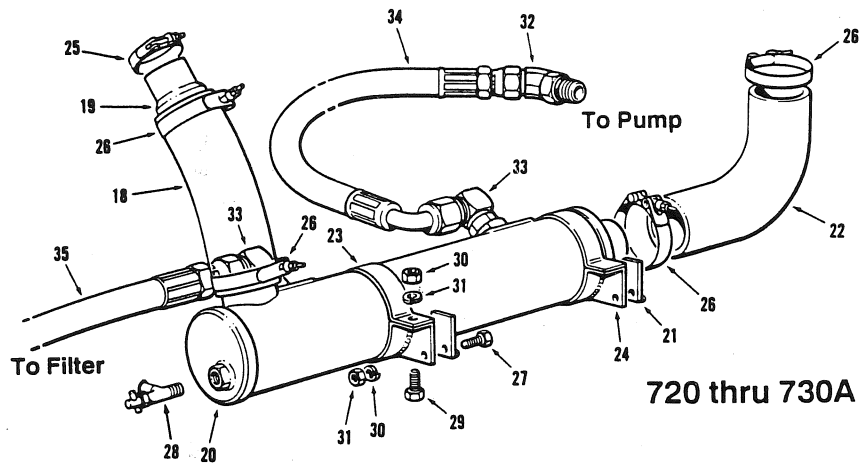
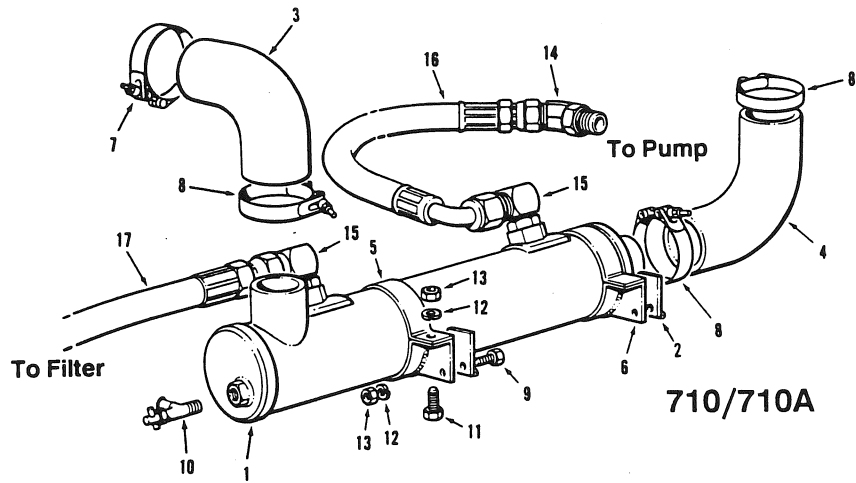


EFFECTIVE SERIAL NUMBER(S) 20719 & UP
 NUMERO(S) DE SÉRIE EFFECTIF(S) EXCLUDING 20731
 NUMERO(S) DE SERIE EFECTIVO(S)

700 SERIES
 SERIE 700

SECTION 6 PAGE 17
 SECCION 6 PAGINA 17

SECTION SECCION		PAGE PAGINA		ISSUE No. N° D'ÉMISSION N° DE EDICION		OIL COOLER INSTALLATION			SEPTEMBER 1990	
No. N° N°	PART No. N° DE PIÈCE N° DE PIEZA	DESCRIPTION DÉSCRIPTION DESCRIPCION	No. REQ. N° REQ. N° REQ.	REMARKS REMARQUES NOTAS	No. N° N°	PART No. N° DE PIECE N° DE PIEZA	DESCRIPTION DÉSCRIPTION DESCRIPCION	No. REQ. N° REQ. N° REQ.	REMARKS REMARQUES NOTAS	
<u>OIL COOLER INSTALLATION - 6BT5.9 ENGINE</u>				710/710A	<u>OIL COOLER INSTALLATION - LT-10 ENGINE</u>				740 thru 780A	
1	46970	OIL COOLER	1		43	*57012	HOSE	1		
2	51568	BRACKET	2	REPAIR PART	44	46970	OIL COOLER	1		
3	52808	HOSE	1		45	51568	BRACKET	1	REPAIR PART	
4	52813	CONNECTOR	1		46	*56048	HOSE	1		
5	52814	SEAL RING	1		47	54690	CLAMP	1		
6	52815	BOLT	3		48	54691	CLAMP	1		
7	52910	HOSE	1		49	*22A-282	CLAMP	4		
8	54690	CLAMP	2		50	50A-0408	BOLT	1		
9	54691	CLAMP	2		51	14A-04	LOCKWASHER	1		
10	22A-256	CLAMP	1		52	30A-04	NUT	1		
11	22A-282	CLAMP	3		53	50A-0610	BOLT	2		
12	50A-0408	BOLT	2		54	14A-06	LOCKWASHER	2		
13	14A-04	LOCKWASHER	2		55	30A-06	NUT	2		
14	30A-04	NUT	2							
15	50A-0610	BOLT	4		56	*111A-1616	CONNECTOR	1		
16	14A-06	LOCKWASHER	4		57	111B-1616	CONNECTOR	2		
17	30A-06	NUT	4		58	112A-16	CONNECTOR	1		
18	*111A-1616	CONNECTOR	1		59	40308 x 34	HOSE	1		
19	*111B-1616	CONNECTOR	1	A.W.D.	60	40309 x 85	HOSE	1		
20	111B-1616	CONNECTOR	2							
21	40308 x 34	HOSE	1							
22	40309 x 77	HOSE	1							
<u>OIL COOLER INSTALLATION - 6CTB.3 ENGINE</u>				720 thru 730A						
23	*57013	HOSE	1							
24	44815	ADAPTER	1							
25	46970	OIL COOLER	1							
26	51568	BRACKET	2	REPAIR PART						
27	52799	HOSE	1							
28	54690	CLAMP	2							
29	54691	CLAMP	2							
30	22A-238	CLAMP	1							
31	*22A-282	CLAMP	4							
32	50A-0408	BOLT	2							
33	14A-04	LOCKWASHER	2							
34	30A-04	NUT	2							
35	50A-0610	BOLT	4							
36	14A-06	LOCKWASHER	4							
37	30A-06	NUT	4							
38	*111A-1616	CONNECTOR	1							
39	*111B-1616	CONNECTOR	1	A.W.D.						
40	111B-1616	CONNECTOR	2							
41	40308 x 34	HOSE	1							
42	40309 x 77	HOSE	1							

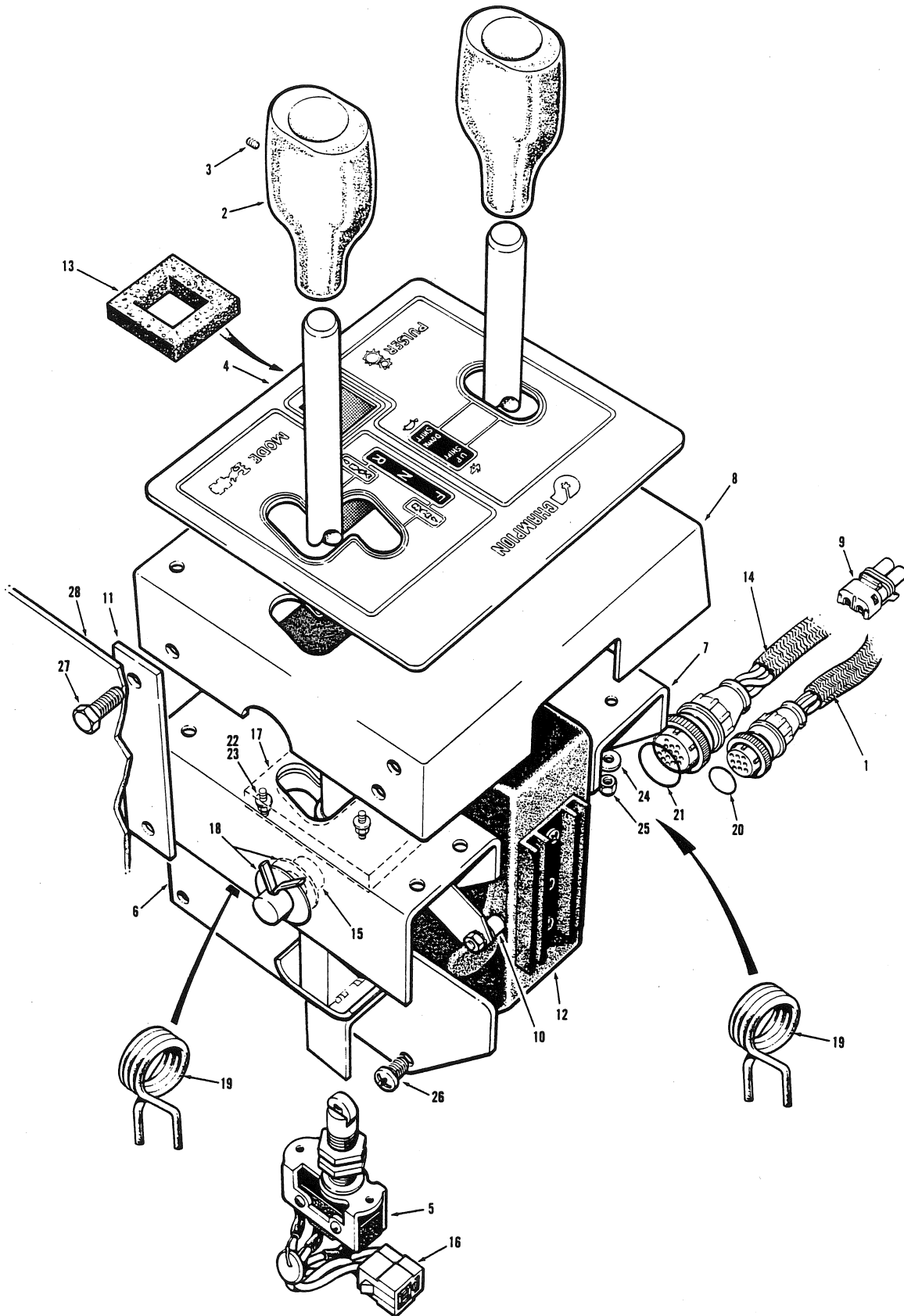


EFFECTIVE SERIAL NUMBER(S) 21754 & UP
 NUMERO(S) DE SÉRIE EFFECTIF(S) EXCEPT 21789, 21797, 21801,
 NUMERO(S) DE SERIE EFECTIVO(S) 21805, 21809, 21813 & 21818

700 SERIES
SERIE 700

SECTION 6 **PAGE 17**
SECCION 6 **PAGINA 17**

SECTION SECCION		PAGE PAGINA		ISSUE No. N° D'ÉMISSION N° DE EDICION		OIL COOLER INSTALLATION			SEPTEMBER 1991	
No. N° N°	PART No. N° DE PIÈCE N° DE PIEZA	DESCRIPTION DÉSCRIPTION DESCRIPCION	No. REQ N° REQ. N° REQ.	REMARKS REMARQUES NOTAS	No. N° N°	PART No. N° DE PIECE N° DE PIEZA	DESCRIPTION DÉSCRIPTION DESCRIPCION	No. REQ N° REQ. N° REQ.	REMARKS REMARQUES NOTAS	
OIL COOLER INSTALLATION - 6BT5.9 ENGINE				710/710A	OIL COOLER INSTALLATION - LT-10 ENGINE				740 thru 780A	
1	*57983	OIL COOLER	1		36	57012	HOSE	1		
2	51568	BRACKET	2	Repair Part	37	*57983	OIL COOLER	1		
3	52808	HOSE	1		38	51568	BRACKET	2	Repair Part	
4	52910	HOSE	1		39	*56048	HOSE	1		
5	54690	CLAMP	2		40	54690	CLAMP	2		
6	54691	CLAMP	2		41	54691	CLAMP	2		
7	22A-256	CLAMP	1		42	22A-282	CLAMP	4		
8	22A-282	CLAMP	3		43	*50A-0406	BOLT	2		
9	*50A-0606	BOLT	2		44	*65134	DRAIN COCK	1		
10	*65134	DRAIN COCK	1		45	*50A-0608	BOLT	4		
11	*50A-0608	BOLT	4		46	14A-06	LOCKWASHER	6		
12	14A-06	LOCKWASHER	6		47	30A-06	NUT	6		
13	30A-06	NUT	6							
14	111A-1616	CONNECTOR	1		48	111A-1616	CONNECTOR	1		
15	111B-1616	CONNECTOR	2		49	111B-1616	CONNECTOR	2		
16	40308 x 34	HOSE	1		50	112A-16	CONNECTOR	1		
17	40309 x 77	HOSE	1		51	40308 x 34	HOSE	1		
					52	40309 x 85	HOSE	1		
OIL COOLER INSTALLATION - 6CT8.3 ENGINE				720 thru 730A						
18	57013	HOSE	1							
19	44815	ADAPTER	1							
20	*57983	OIL COOLER	1							
21	51568	BRACKET	2	Repair Part						
22	52799	HOSE	1							
23	54690	CLAMP	2							
24	54691	CLAMP	2							
25	22A-238	CLAMP	1							
26	22A-282	CLAMP	4							
27	*50A-0606	BOLT	2							
28	*65134	DRAIN COCK	1							
29	*50A-0608	BOLT	4							
30	14A-06	LOCKWASHER	6							
31	30A-06	NUT	6							
32	111A-1616	CONNECTOR	1							
33	111B-1616	CONNECTOR	2							
34	40308 x 34	HOSE	1							
35	40309 x 77	HOSE	1							



APRIL 1989

TRANSMISSION CONTROLS ASSEMBLY - 24 VOLT

PARA LA LISTA DE LAS PIEZAS - VER AL VERSO

POUR LA LISTE DES PIÈCES - VOIR AU VERSO

FOR LIST OF PARTS - TURN THIS PAGE

ISSUE No.
N° D'ÉMISSION
N° DE EDICION 1 REVISION A

EFFECTIVE SERIAL NUMBER(S)
NUMERO(S) DE SÉRIE EFFECTIF(S)
NUMERO(S) DE SERIE EFECTIVO(S)

17882 & UP

700 SERIES
SERIE 700

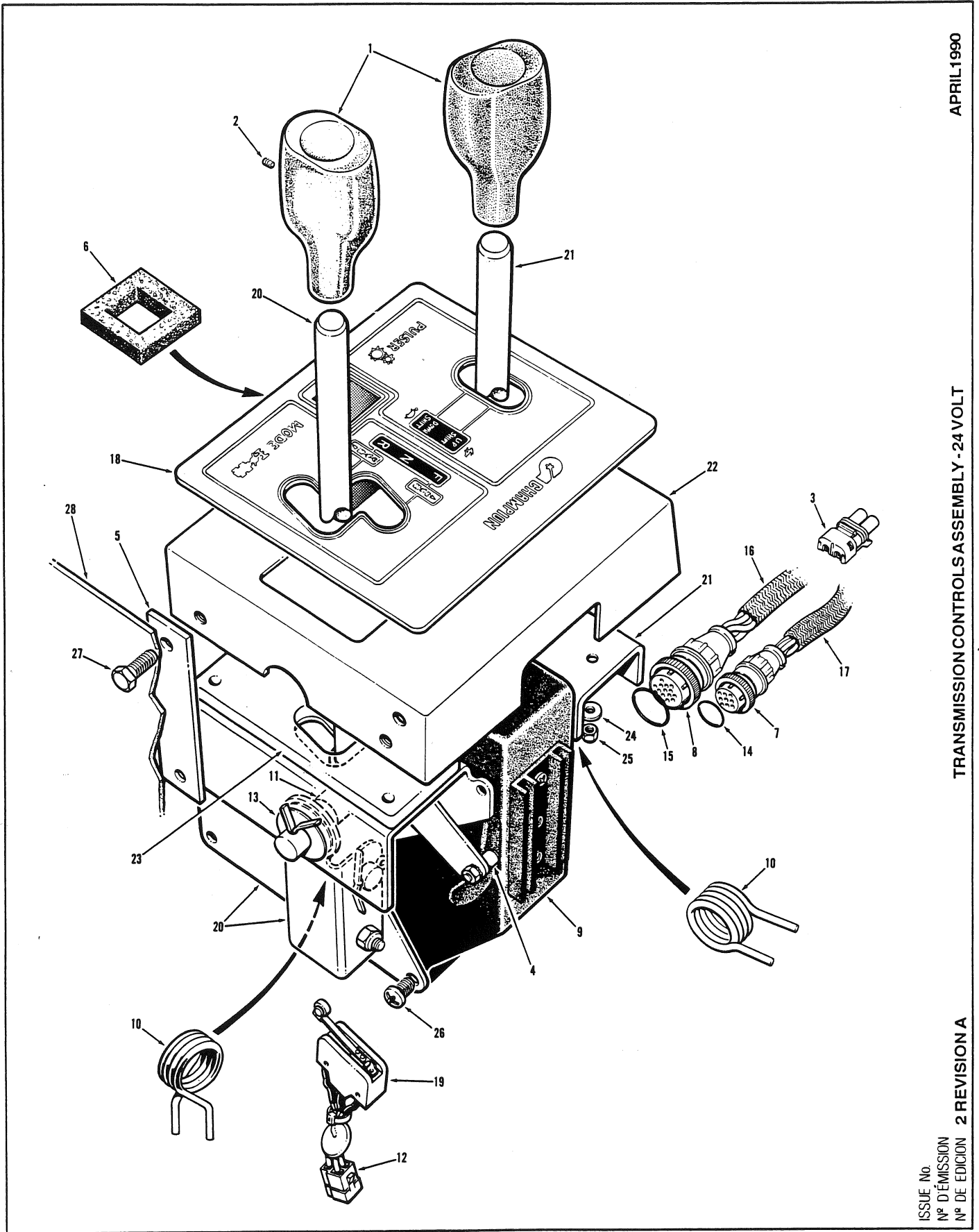
SECTION
SECCION

6

PAGE
PAGINA

19

SECTION SECCION		PAGE PAGINA		ISSUE No. N° D'ÉMISSION N° DE EDICION		TRANSMISSION CONTROLS ASSEMBLY - 24 VOLTS			APRIL 1989	
No. N° N°	PART No. N° DE PIÉCE N° DE PIEZA	DESCRIPTION DÉSCRIPTION DESCRIPCION	No. REQ. N° REQ. N° REQ.	REMARKS REMARQUES NOTAS	No. N° N°	PART No. N° DE PIECE N° DE PIEZA	DESCRIPTION DÉSCRIPTION DESCRIPCION	No. REQ. N° REQ. N° REQ.	REMARKS REMARQUES NOTAS	
	*42875	TRANSMISSION CONTROLS ASSY. - INCLUDES ITEMS 2 TO 13, 15 TO 19 & 22 TO 27	1							
1	29756	WIRING HARNESS - TRANSMISSION	1							
2	36956	KNOB	2							
3	36957	SET SCREW	2							
4	36958	DECAL	1							
5	36959	SWITCH	1							
6	36960	MODE LEVER	1							
7	36961	PULSER LEVER	1							
8	36963	MOUNTING PLATE	1							
9	36966	CONNECTOR	6							
10	36967	MAGNET	2							
11	37045	BRACKET	2							
12	*37631	ELECTRONIC CONTROLLER	1							
13	37377	GASKET	1							
14	37601	WIRING HARNESS - MAIN SUPPLY	1							
15	41861	BUSHING	4							
16	41933	VARISTOR ASSEMBLY	1							
17	41947	WEAR PLATE	1							
18	43856	CURVED SPRING	7							
19	44222	SPRING	2							
20	44378	SEAL	1							
21	44379	SEAL	1							
22	14G-06	FLATWASHER	6							
23	34B-06	LOCKNUT	6							
24	14G-10	FLATWASHER	6							
25	35B-10	LOCKNUT	6							
26	61F-1006	SCREW	4							
27	50A-0404	BOLT	4							
28		INSTRUMENT BOX	REF.	SECTION 10 PAGES 1/2						



APRIL 1990

TRANSMISSION CONTROL ASSEMBLY - 24 VOLT

FOR LIST OF PARTS - TURN THIS PAGE POUR LA LISTE DES PIÈCES - VOIR AU VERSO

2 REVISION A

ISSUE No.
N° D'ÉMISSION
N° DE EDICION

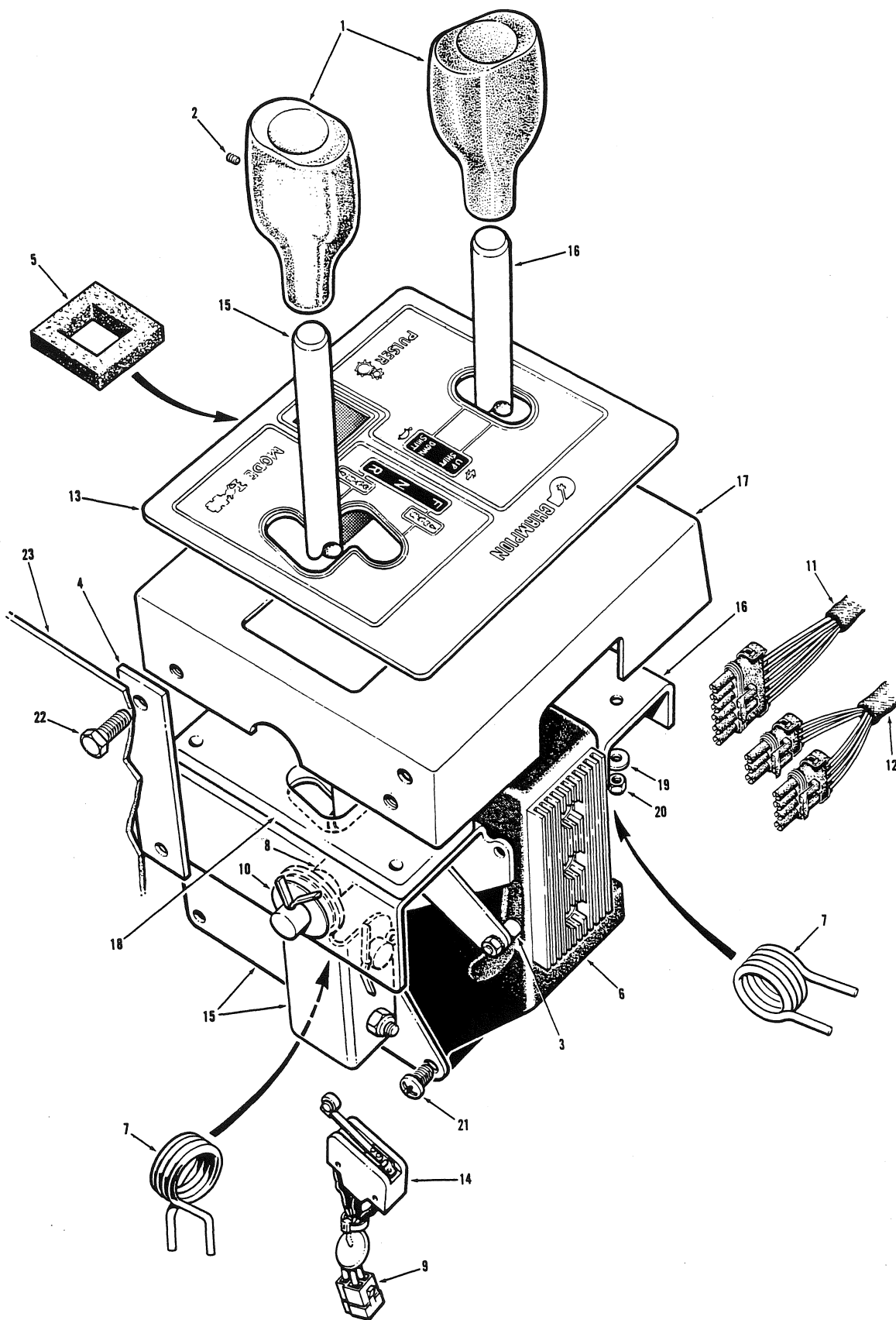
EFFECTIVE SERIAL NUMBER(S)
NUMERO(S) DE SÉRIE EFFECTIF(S)
NUMERO(S) DE SERIE EFECTIVO(S)

20493 & UP

700 SERIES
SERIE 700

SECTION 6 PAGE 19
SECCION 6 PAGINA 19

SECTION SECCION		PAGE PAGINA		ISSUE No. N° D'ÉMISSION N° DE EDICION		TRANSMISSION CONTROLS ASSEMBLY - 24 VOLT			APRIL1990	
No. N° N°	PART No. N° DE PIÈCE N° DE PIEZA	DESCRIPTION DESCRIPTION DESCRIPCION	No. REQ. N° REQ. N° REQ.	REMARKS REMARQUES NOTAS	No. N° N°	PART No. N° DE PIECE N° DE PIEZA	DESCRIPTION DESCRIPTION DESCRIPCION	No. REQ. N° REQ. N° REQ.	REMARKS REMARQUES NOTAS	
	*56346	TRANSMISSION CONTROLS ASSEMBLY - INCLUDES ITEMS 1 TO 6, 9 TO 13 & 18 TO 27	1							
1	36956	KNOB	2							
2	36957	SET SCREW	2							
3	36966	CONNECTOR	6							
4	36967	MAGNET	2							
5	37045	BRACKET	2							
6	37377	GASKET	1							
7	37907	SMALL LOCK RING	1							
8	37908	LARGE LOCK RING	1							
9	*37631	ELECTRONIC CONTROLLER	1							
10	38290	SPRING	2							
11	41861	BUSHING	4							
12	41933	VARIATOR ASSEMBLY	1							
13	43856	CURVED SPRING	5							
14	44378	SEAL	1							
15	44379	SEAL	1							
16	*46859	WIRING HARNESS - MAIN SUPPLY	1							
17	54258	WIRING HARNESS - TRANSMISSION	1							
18	55315	DECAL	1							
19	55316	SWITCH	1							
20	55317	MODE LEVER ASSEMBLY - INCLUDES ITEMS 10 to 13 & 19	1							
21	55318	PULSER LEVER ASSEMBLY - INCLUDES ITEMS 10, 11 & 13	1							
22	55319	MOUNTING PLATE	1							
23	55320	WEAR PLATE	1							
24	14G-10	FLATWASHER	6							
25	35B-10	LOCKNUT	8							
26	61F-1006	SCREW	4							
27	50A-0404	BOLT	4							
28		INSTRUMENT BOX	REF.	SECTION 10 PAGE 2						



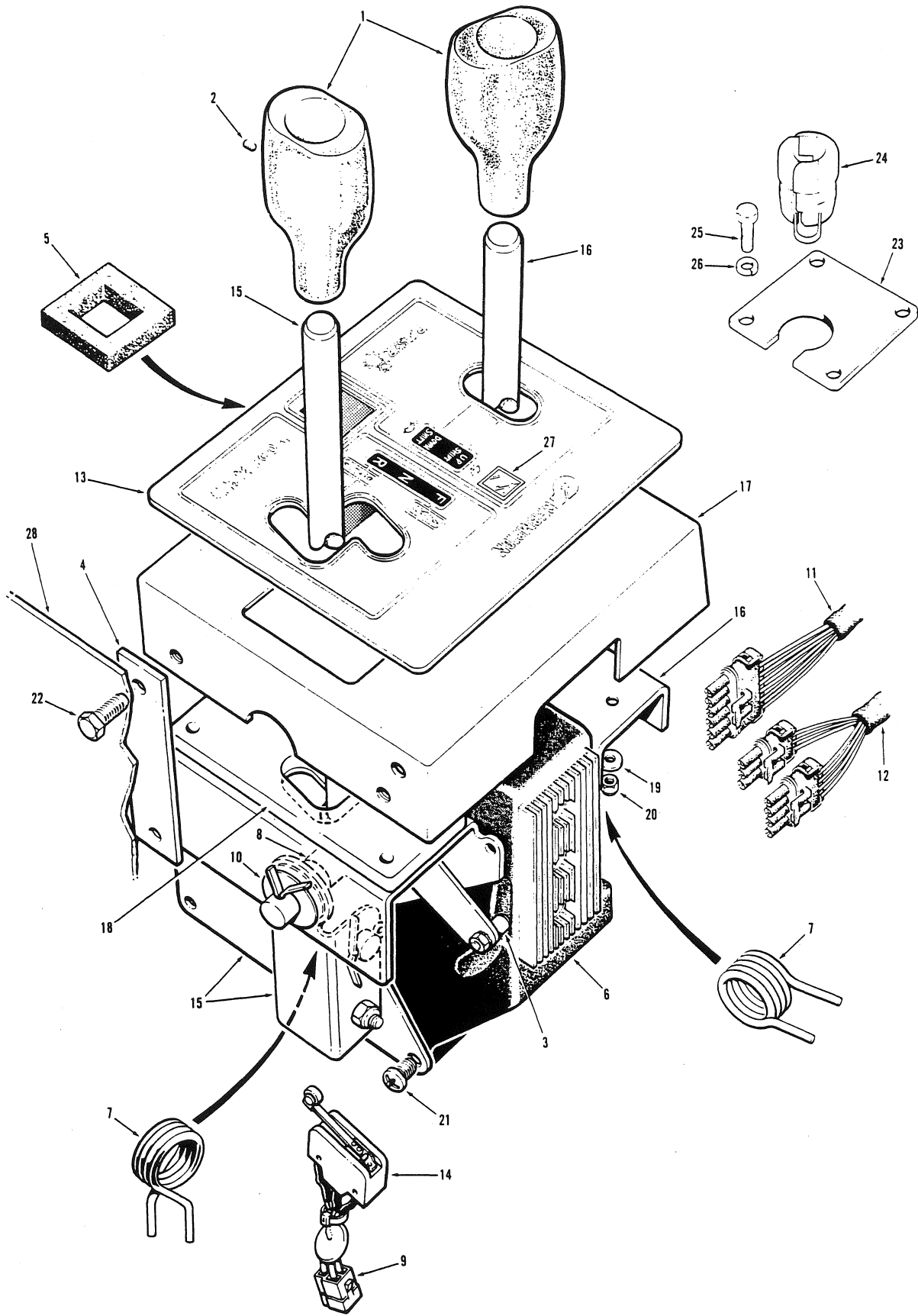
ISSUE No.
N° D'ÉMISSION
N° DE EDICION 3

EFFECTIVE SERIAL NUMBER(S) 20732 & UP
NUMERO(S) DE SÉRIE EFFECTIF(S)
NUMERO(S) DE SERIE EFECTIVO(S)

700 SERIES
SERIE 700

SECTION 6 **PAGE 19**
SECCION 6 **PAGINA 19**

SECTION SECCION		PAGE PAGINA		ISSUE No. N° D'ÉMISSION N° DE EDICION		TRANSMISSION CONTROLS ASSEMBLY - 24 VOLT				JUNE 1990	
No. N° N°	PART No. N° DE PIÉCE N° DE PIEZA	DESCRIPTION DÉSCRIPTION DESCRIPCION	No. REQ. N° REQ. N° REQ.	REMARKS REMARQUES NOTAS	No. N° N°	PART No. N° DE PIÉCE N° DE PIEZA	DESCRIPTION DÉSCRIPTION DESCRIPCION	No. REQ. N° REQ. N° REQ.	REMARKS REMARQUES NOTAS		
	*56595	TRANSMISSION CONTROLS ASSEMBLY - INCLUDES ITEMS 1 to 10 & 13 to 22	1								
1	36956	KNOB	2								
2	36957	SET SCREW	2								
3	36967	MAGNET	2								
4	37045	BRACKET	2								
5	37377	GASKET	1								
6	*58038	ELECTRONIC CONTROLLER	1								
7	38290	SPRING	2								
8	41861	BUSHING	4								
9	41933	VARISTOR ASSEMBLY	1								
10	43856	CURVED SPRING	5								
11	*56596	WIRING HARNESS - MAIN SUPPLY	1								
12	*56209	WIRING HARNESS - TRANSMISSION	1								
13	55315	DECAL	1								
14	55316	SWITCH	1								
15	55317	MODE LEVER ASSEMBLY - INCLUDES ITEMS 7 to 10 & 14	1								
16	55318	PULSER LEVER ASSEMBLY - INCLUDES ITEMS 7, 8 & 10	1								
17	55319	MOUNTING PLATE	1								
18	55320	WEAR PLATE	1								
19	14G-10	FLATWASHER	6								
20	35B-10	LOCKNUT	8								
21	61F-1006	SCREW	4								
22	50A-0404	BOLT	4								
23		INSTRUMENT BOX	REF.	SECTION 10 PAGE 2							



EFFECTIVE SERIAL NUMBER(S)
NUMERO(S) DE SÉRIE EFFECTIF(S)
NUMERO(S) DE SERIE EFECTIVO(S)

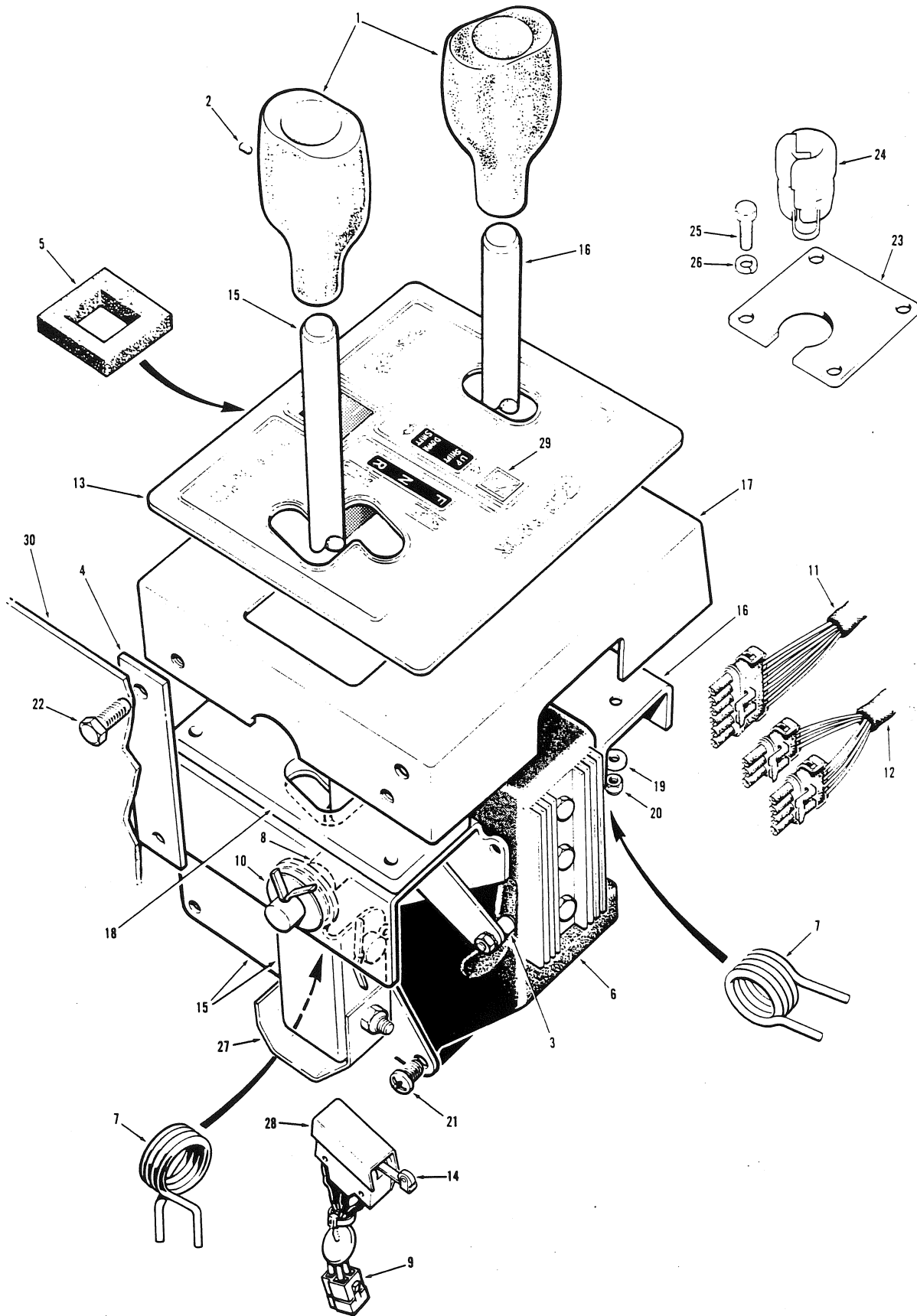
21134 to 21330,
EXCLUDING 21142

700 SERIES
SERIE 700

SECTION
SECCION 6

PAGE
PAGINA 19

SECTION 6 SECCION 6		PAGE 20 PAGINA 20	ISSUE No. N° D'ÉMISSION N° DE EDICION	4 REVISION A	TRANSMISSION CONTROLS ASSEMBLY - 24 VOLT			JANUARY 1992	
No. N° N°	PART No. N° DE PIÈCE N° DE PIEZA	DESCRIPTION DÉSCRIPTION DESCRIPCION	No. REQ. N° REQ. N° REQ.	REMARKS REMARQUES NOTAS	No. N° N°	PART No. N° DE PIECE N° DE PIEZA	DESCRIPTION DÉSCRIPTION DESCRIPCION	No. REQ. N° REQ. N° REQ.	REMARKS REMARQUES NOTAS
	58448	TRANSMISSION CONTROLS ASSEMBLY - INCLUDES ITEMS 1 to 10 & 13 to 22	1						
1	36958	KNOB	2						
2	36957	SET SCREW	2						
3	36987	MAGNET	2						
4	37045	BRACKET	2						
5	37377	GASKET	1						
6	58447	ELECTRONIC CONTROLLER	1						
7	38290	SPRING	2						
8	41881	BUSHING	4						
9	41933	VARISTOR ASSEMBLY	1						
10	43858	CURVED SPRING	5						
11	56598	WIRING HARNESS - MAIN SUPPLY	1						
12	56209	WIRING HARNESS - TRANSMISSION	1						
13	55315	DECAL	1						
14	55316	SWITCH	1						
15	55317	MODE LEVER ASSEMBLY - INCLUDES ITEMS 7 to 10 & 14	1						
16	55318	PULSER LEVER ASSEMBLY - INCLUDES ITEMS 7, 8 & 10	1						
17	55319	MOUNTING PLATE	1						
18	55320	WEAR PLATE	1						
19	14G-10	FLATWASHER	6						
20	35B-10	LOCKNUT	8						
21	61F-1008	SCREW	4						
22	50A-0404	BOLT	4						
23	56692	COVER PLATE	1						
24	56704	STRAIN RELIEF COLLAR	1						
25	50A-0408	COPSCREW	4						
26	14A-04	LOCKWASHER	4						
27	*65699	BULB - MICROPROCESSOR	1						
28		INSTRUMENT BOX	REF.	Sect 10 Pg 2					



EFFECTIVE SERIAL NUMBER(S)
NUMERO(S) DE SÉRIE EFFECTIF(S)
NUMERO(S) DE SERIE EFECTIVO(S)

21331, 21335 & UP

700 SERIES
SERIE 700

SECTION
SECCION 6

PAGE
PAGINA 19

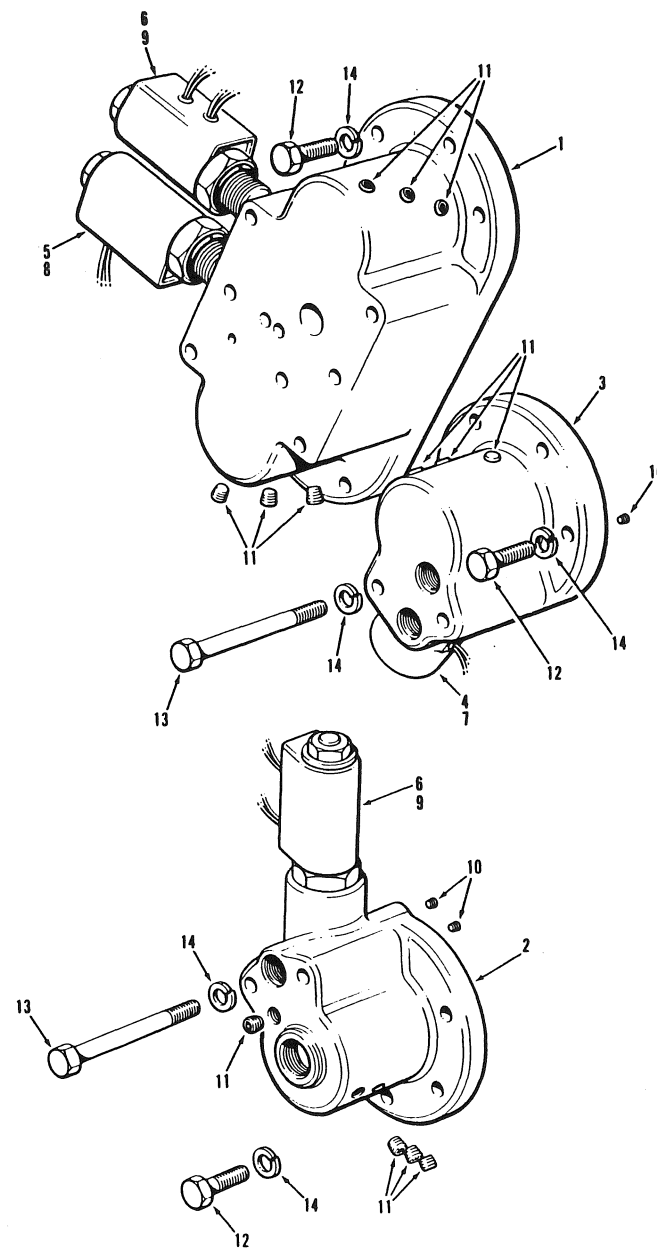
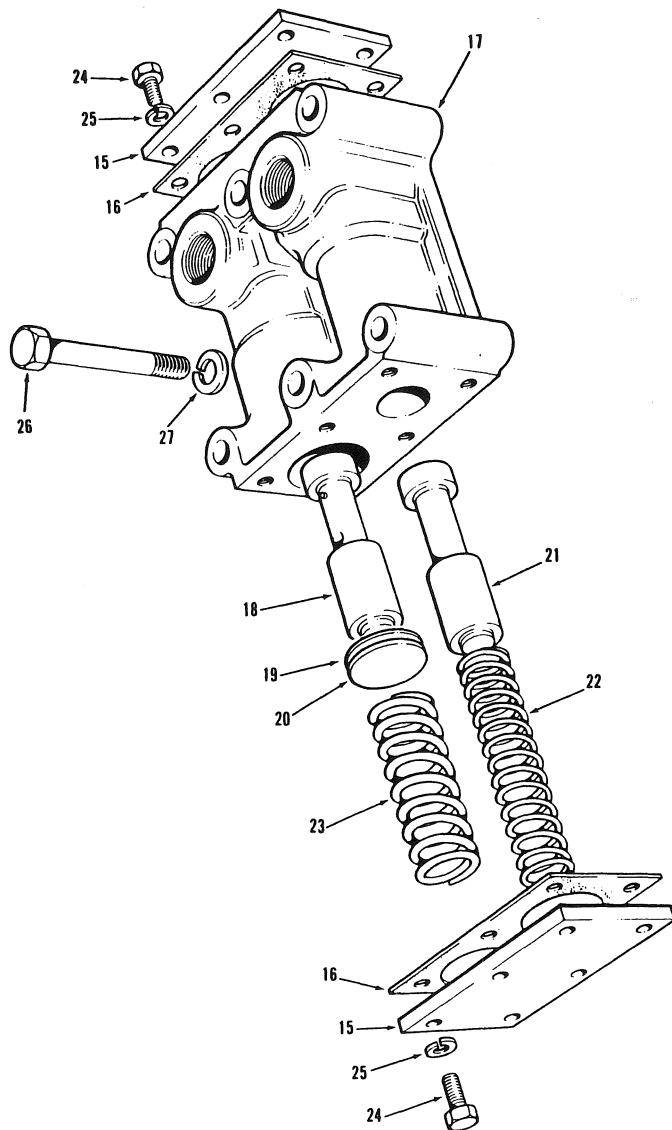
SECTION 6		PAGE 20	ISSUE No. N° D'ÉMISSION N° DE EDICION	5 REVISION A	TRANSMISSION CONTROLS ASSEMBLY - 24 VOLT			JANUARY 1992	
No. N° N°	PART No. N° DE PIÉCE N° DE PIEZA	DESCRIPTION DÉSCRIPTION DESCRIPCION	No. REQ. N° REQ. N° REQ.	REMARKS REMARQUES NOTAS	No. N° N°	PART No. N° DE PIÉCE N° DE PIEZA	DESCRIPTION DÉSCRIPTION DESCRIPCION	No. REQ. N° REQ. N° REQ.	REMARKS REMARQUES NOTAS
	65204	TRANSMISSION CONTROLS ASSEMBLY - INCLUDES ITEMS 1 to 10 & 13 to 22	1						
1	36956	KNOB	2						
2	36957	SET SCREW	2						
3	*63045	ACTUATOR - C/W HARDWARE	2						
4	37045	BRACKET	2						
5	37377	GASKET	1						
6	65205	ELECTRONIC CONTROLLER	1						
7	38290	SPRING	2						
8	41861	BUSHING	4						
9	41933	VARIATOR ASSEMBLY	1						
10	43858	CURVED SPRING	5						
11	56596	WIRING HARNESS - MAIN SUPPLY	1						
12	58686	WIRING HARNESS - TRANSMISSION	1						
13	55315	DECAL	1						
14	55316	SWITCH	1						
15	55317	MODE LEVER ASSEMBLY - INCLUDES ITEMS 7 to 10 & 14	1						
16	55318	PULSER LEVER ASSEMBLY - INCLUDES ITEMS 7, 8 & 10	1						
17	55319	MOUNTING PLATE	1						
18	55320	WEAR PLATE	1						
19	14G-10	FLATWASHER	6						
20	35B-10	LOCKNUT	8						
21	61F-1006	SCREW	4						
22	50A-0404	BOLT	4						
23	56692	COVER PLATE	1						
24	56704	STRAIN RELIEF COLLAR	1						
25	50A-0406	COPSCREW	4						
26	14A-04	LOCKWASHER	4						
27	58977	NEUTRAL SWITCH ACTIVATOR	1						
28	58788	COVER	1						
29	*65699	BULB - MICROPROCESSOR	1						
30		INSTRUMENT BOX	REF.	Sect 10 Pg 2					

EFFECTIVE SERIAL NUMBER(S)
 NUMERO(S) DE SERIE EFFECTIF(S)
 NUMERO(S) DE SERIE EFECTIVO(S)

17882 to 20492

700 SERIES
 SERIE 700

SECTION 6
 SECCION 6
 PAGE 21
 PAGINA 21



ISSUE No.
 N° D'ÉMISSION
 N° DE EDICION 1 REVISION B

CONTROL VALVES - 24 VOLT

JANUARY 1991

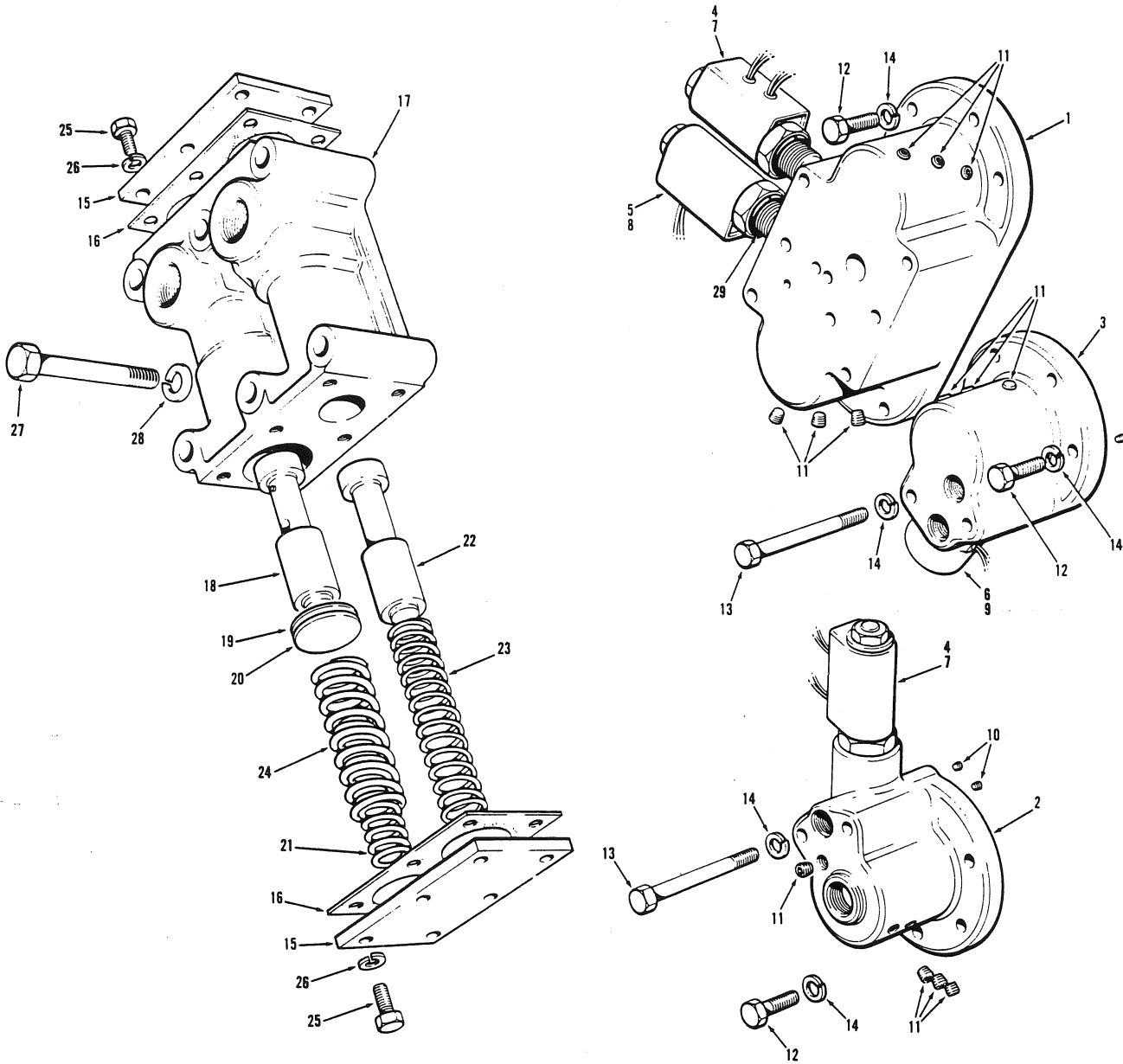
FOR LIST OF PARTS - TURN THIS PAGE

POUR LA LISTE DES PIÈCES - VOIR AU VERSO

PARA LA LISTA DE LAS PIEZAS - VER AL VERSO

No. N° N°	PART No. N° DE PIÈCE N° DE PIEZA	DESCRIPTION DESCRIPTION DESCRIPCION	No. REQ. N° REQ. N° REQ.	REMARKS REMARQUES NOTAS	No. N° N°	PART No. N° DE PIECE N° DE PIEZA	DESCRIPTION DESCRIPTION DESCRIPCION	No. REQ. N° REQ. N° REQ.	REMARKS REMARQUES NOTAS
1	37785	CAP - MAIN CONTROL VALVE	1						
2	37786	CAP - RANGE CONTROL VALVE	1						
3	37787	CAP - REVERSE CONTROL VALVE	1						
4	*44699	SOLENOID VALVE ASSY. - INCLUDES ITEM 7	1						
5	44700	SOLENOID VALVE ASSY. - INCLUDES ITEM 8	1						
6	*44701	SOLENOID VALVE ASSY. - INCLUDES ITEM 9	2						
7	*37609	COIL	1						
8	37610	COIL	1						
9	*37611	COIL	2						
10	115D-01	PLUG	3						
11	115D-02	PLUG	13						
12	50A-0610	BOLT	14						
13	50A-0632	BOLT	4						
14	14A-06	LOCKWASHER	18						
	41251	O RING KIT FOR ITEMS 4 & 5	A.R.						
	41252	O RING KIT FOR ITEM 6	A.R.						
		<u>REGULATOR VALVE INSTALLATION</u>							
	29862	REGULATOR VALVE ASSY. - INCLUDES ITEMS 15 TO 25	1						
15	11212	VALVE COVER	2						
16	11213	GASKET	2						
17	11214	VALVE BODY	1						
18	11215	VALVE ASSY.	1						
19	11216	SPACER - THIN	A.R.						
20	11217	SPACER - THICK	A.R.						
21	11221	LUBE VALVE	1						
22	37213	SPRING - LUBE VALVE	1						
23	41094	SPRING - MAIN VALVE	1						
24	50A-0506	BOLT	12						
25	14A-05	LOCKWASHER	12						
26	51A-0652	BOLT	6						
27	14A-06	LOCKWASHER	6						

CHAMPION ROAD MACHINERY



CONTROL VALVES - 24 VOLT

ISSUE No. 2 REVISION A
 N° D'ÉMISSION 2 REVISION A
 N° DE EDICIÓN 2 REVISION A

FOR LIST OF PARTS - TURN THIS PAGE PARA LA LISTA DE LAS PIEZAS - VER AL VERSO
 POUR LA LISTE DES PIÈCES - VOIR AU VERSO

EFFECTIVE SERIAL NUMBER(S) 20493 to 20730
 NUMERO(S) DE SÉRIE EFFECTIF(S)
 NUMERO(S) DE SERIE EFECTIVO(S)

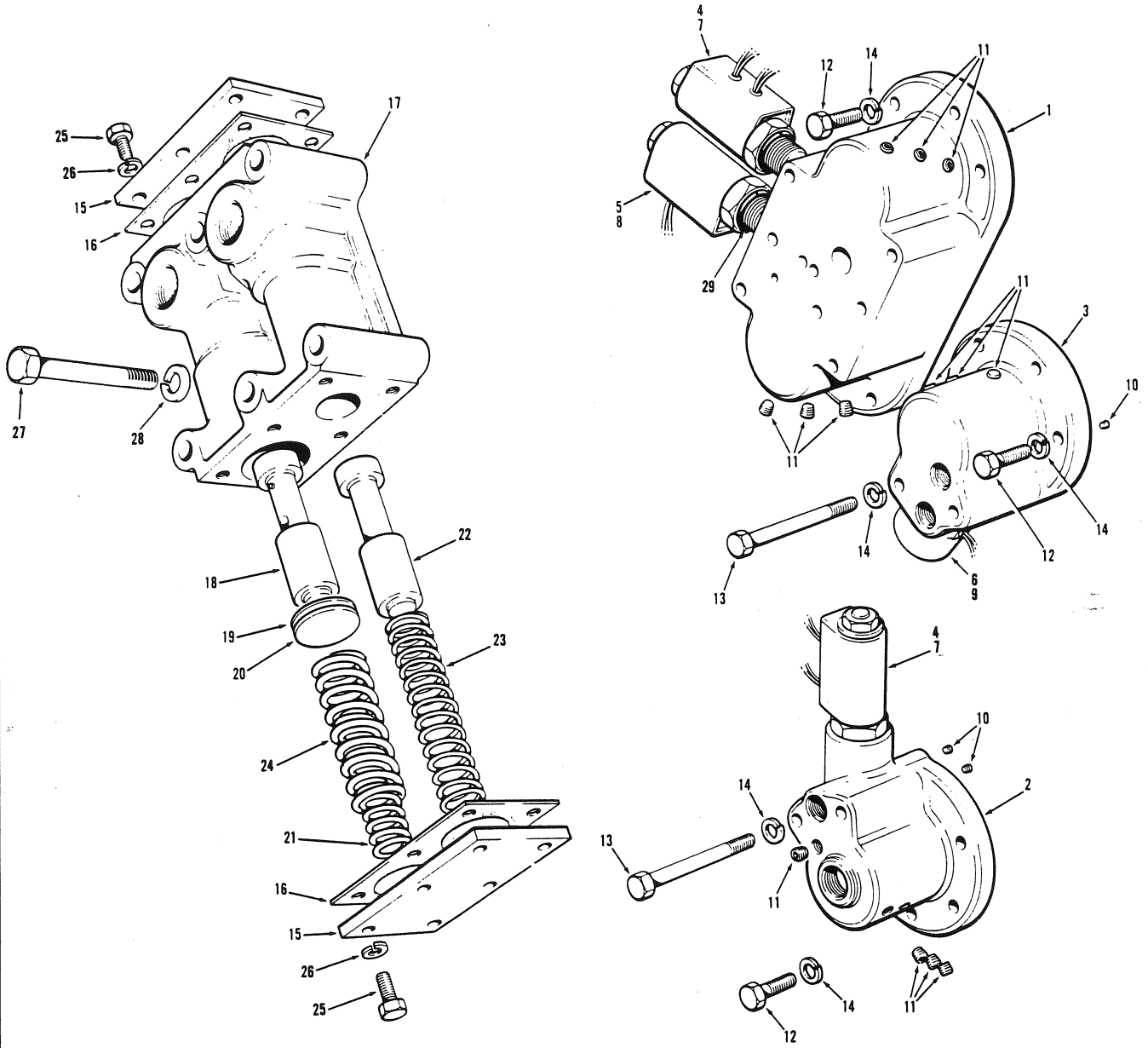
700 SERIES
 SERIE 700

SECTION
 SECCION 6

PAGE
 PAGINA 21

SECTION SECCION		PAGE PAGINA		ISSUE No. N° D'ÉMISSION N° DE EDICION		2 REVISION A		CONTROL VALVES - 24 VOLT			JUNE 1990	
No. N° N°	PART No. N° DE PIÈCE N° DE PIEZA	DESCRIPTION DESCRIPTION DESCRIPCION	No. REQ. N° REQ. N° REQ.	REMARKS REMARQUES NOTAS	No. N° N°	PART No. N° DE PIECE N° DE PIEZA	DESCRIPTION DESCRIPTION DESCRIPCION	No. REQ. N° REQ. N° REQ.	REMARKS REMARQUES NOTAS			
1	37785	CAP - MAIN CONTROL VALVE	1									
2	37786	CAP - RANGE CONTROL VALVE	1									
3	37787	CAP - REVERSE CONTROL VALVE	1									
4	44701	SOLENOID VALVE ASSEMBLY - INCLUDES ITEM 9	2									
	41252	O-RING KIT FOR 44701 - SOLENOID VALVE ASSEMBLY	1									
5	44700	SOLENOID VALVE ASSEMBLY - INCLUDES ITEM 8	1									
6	44699	SOLENOID VALVE ASSEMBLY - INCLUDES ITEM 7	1									
	41251	O-RING KIT FOR 44699 & 44700 - SOLENOID VALVE ASSEMBLIES	1									
7	37609	COIL	1									
8	37610	COIL	1									
9	*56563	COIL	2									
10	115D-01	PLUG	3									
11	115D-02	PLUG	13									
12	50A-0610	BOLT	14									
13	50A-0632	BOLT	4									
14	14A-06	LOCKWASHER	18									
		REGULATOR VALVE INSTALLATION										
	53775	REGULATOR VALVE ASSEMBLY - INCLUDES ITEMS 15 to 24	1									
	*38684	REPAIR KIT FOR 53775 - REGULATOR VALVE ASSEMBLY - INCLUDES ITEMS 16, 19, 21, 22, 23 & 24	1									
15	11212	VALVE COVER	2									
16	11213	GASKET	2									
17	11214	VALVE BODY	1									
18	11215	VALVE ASSEMBLY	1									
19	11216	SPACER - THIN	1									
20	11217	SPACER - THICK	1									
21	11218	SPRING - MAIN VALVE - INNER	1									
22	11221	LUBE VALVE	1									
23	37213	SPRING - LUBE VALVE	1									
24	41094	SPRING - MAIN VALVE - OUTER	1									
25	50A-0506	BOLT	12									
26	14A-05	LOCKWASHER	12									
27	50A-0652	BOLT	6									
28	14A-06	LOCKWASHER	6									
29	12A-123	O-RING	1 per									

CHAMPION ROAD MACHINERY



CONTROL VALVES - 24 VOLT

FOR LIST OF PARTS - TURN THIS PAGE POUR LA LISTE DES PIÈCES - VOIR AU VERSO PARA LA LISTA DE LAS PIEZAS - VER AL VERSO

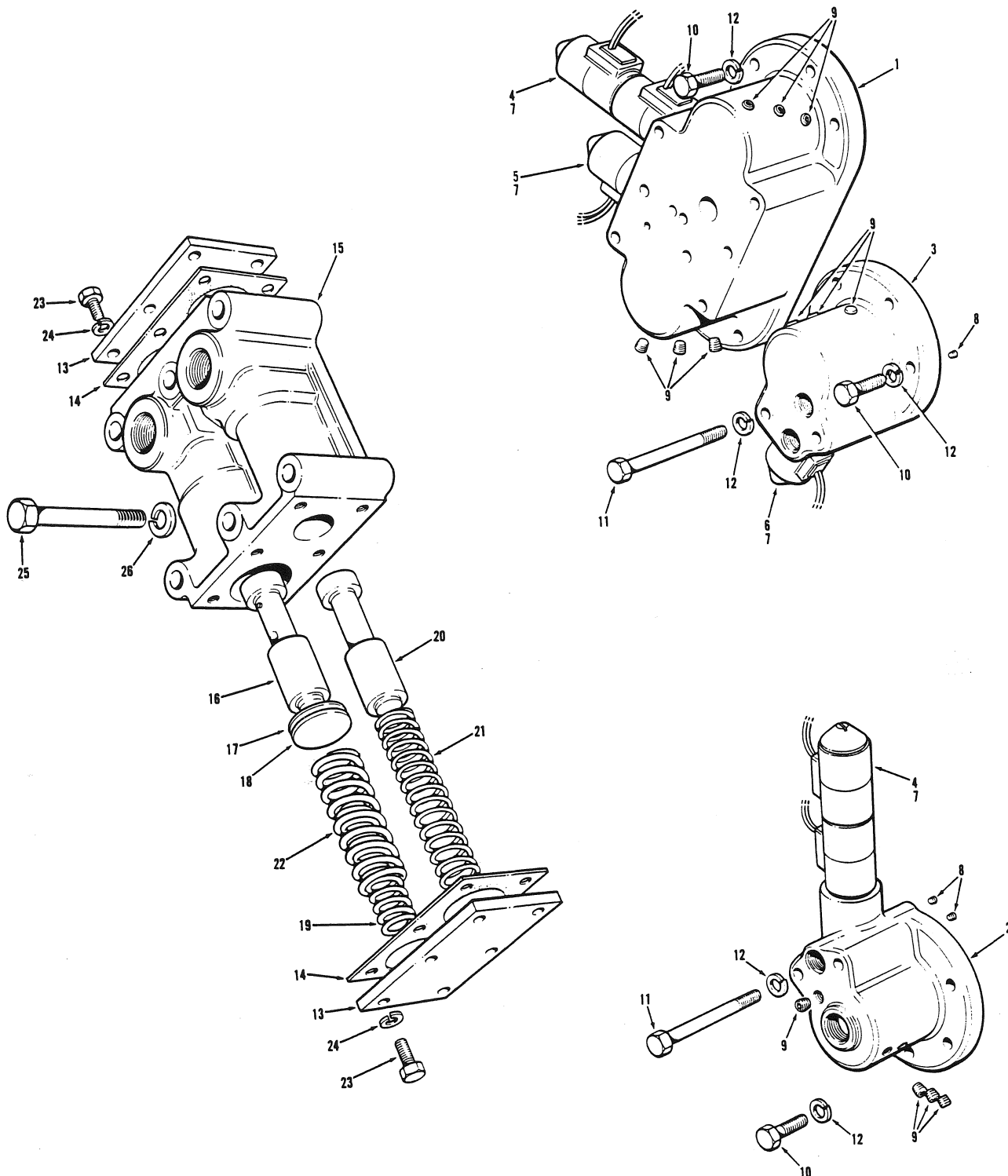
ISSUE No.
N° D'ÉMISSION
N° DE EDICIÓN 3

EFFECTIVE SERIAL NUMBER(S) 20732 & UP
NUMERO(S) DE SÉRIE EFFECTIF(S)
NUMERO(S) DE SERIE EFECTIVO(S)

700 SERIES
SERIE 700

SECTION PAGE
SECCION PAGINA
6 21

SECTION SECCION		PAGE PAGINA		ISSUE No. N° D'ÉMISSION N° DE EDICION		CONTROL VALVES - 24 VOLT				JUNE 1990	
No. N°	PART No. N° DE PIÉCE N° DE PIEZA	DESCRIPTION DESCRIPTION	No. REQ. N° REQ.	REMARKS REMARQUES NOTAS	No. N°	PART No. N° DE PIÉCE N° DE PIEZA	DESCRIPTION DESCRIPTION	No. REQ. N° REQ.	REMARKS REMARQUES NOTAS		
1	37785	CAP - MAIN CONTROL VALVE	1								
2	37786	CAP - RANGE CONTROL VALVE	1								
3	37787	CAP - REVERSE CONTROL VALVE	1								
4	*56555	SOLENOID VALVE ASSEMBLY - INCLUDES ITEM 9	2								
	41252	O-RING KIT FOR 56555 - SOLENOID VALVE ASSEMBLY	1								
5	44700	SOLENOID VALVE ASSEMBLY - INCLUDES ITEM 8	1								
6	44699	SOLENOID VALVE ASSEMBLY - INCLUDES ITEM 7	1								
	41251	O-RING KIT FOR 44699 & 44700 - SOLENOID VALVE ASSEMBLIES	1								
7	37609	COIL	1								
8	37610	COIL	1								
9	56563	COIL	2								
10	115D-01	PLUG	3								
11	115D-02	PLUG	13								
12	50A-0610	BOLT	14								
13	50A-0632	BOLT	4								
14	14A-06	LOCKWASHER	18								
		REGULATOR VALVE INSTALLATION									
	53775	REGULATOR VALVE ASSEMBLY - INCLUDES ITEMS 15 to 24	1								
	38684	REPAIR KIT FOR 53775 - REGULATOR VALVE ASSEMBLY - INCLUDES ITEMS 16, 19, 21, 22, 23 & 24	1								
15	11212	VALVE COVER	2								
16	11213	GASKET	2								
17	11214	VALVE BODY	1								
18	11215	VALVE ASSEMBLY	1								
19	11216	SPACER - THIN	1								
20	11217	SPACER - THICK	1								
21	11218	SPRING - MAIN VALVE - INNER	1								
22	11221	LUBE VALVE	1								
23	37213	SPRING - LUBE VALVE	1								
24	41094	SPRING - MAIN VALVE - OUTER	1								
25	50A-0506	BOLT	12								
26	14A-05	LOCKWASHER	12								
27	50A-0652	BOLT	6								
28	14A-06	LOCKWASHER	6								
29	12A-123	O-RING	1 per								



EFFECTIVE SERIAL NUMBER(S)
NUMERO(S) DE SÉRIE EFFECTIF(S)
NUMERO(S) DE SERIE EFECTIVO(S)

21450 & UP

700 SERIES
SERIE 700

SECTION 6 PAGE 21
SECCION 6 PAGINA 21

SECTION SECCION		PAGE PAGINA		ISSUE No. N° D'ÉMISSION N° DE EDICION		CONTROL VALVES - 24 VOLT				JUNE 1991	
No. N° N°	PART No. N° DE PIÈCE N° DE PIEZA	DESCRIPTION DÉSCRIPTION DESCRIPCION	No. REQ. N° REQ. N° REQ.	REMARKS REMARQUES NOTAS	No. N° N°	PART No. N° DE PIÈCE N° DE PIEZA	DESCRIPTION DÉSCRIPTION DESCRIPCION	No. REQ. N° REQ. N° REQ.	REMARKS REMARQUES NOTAS		
1	*59905	CAP - MAIN CONTROL VALVE	1								
2	*59907	CAP - RANGE CONTROL VALVE	1								
3	*59906	CAP - REVERSE CONTROL VALVE	1								
4	*58438	SOLENOID CARTRIDGE	2								
5	*58437	SOLENOID CARTRIDGE	1								
6	*58436	SOLENOID CARTRIDGE	1								
	*66137	SEAL KIT FOR 58437 & 58438 - SOLENOID CARTRIDGE	1								
	*66136	SEAL KIT FOR 58436 - SOLENOID CARTRIDGE	1								
7	*58728	COIL	1-2								
8	115D-01	PLUG	3								
9	*115C-02	PLUG	13								
10	50A-0610	BOLT	14								
11	50A-0632	BOLT	4								
12	14A-06	LOCKWASHER	18								
		REGULATOR VALVE INSTALLATION									
	53775	REGULATOR VALVE ASSEMBLY INCLUDES ITEMS 13 to 24	1								
	36684	REPAIR KIT FOR 53775 - REGULATOR VALVE ASSEMBLY INCLUDES ITEMS 14, 17, 18, 19, 21 & 22	1								
13	11212	VALVE COVER	2								
14	11213	GASKET	2								
15	11214	VALVE BODY	1								
16	11215	VALVE ASSEMBLY	1								
17	11216	SPACER - THIN	1								
18	11217	SPACER - THICK	1								
19	11218	SPRING - MAIN VALVE - INNER	1								
20	11221	LUBE VALVE	1								
21	37213	SPRING - LUBE VALVE	1								
22	41094	SPRING - MAIN VALVE - OUTER	1								
23	50A-0506	BOLT	12								
24	14A-05	LOCKWASHER	12								
25	50A-0652	BOLT	6								
26	14A-06	LOCKWASHER	6								