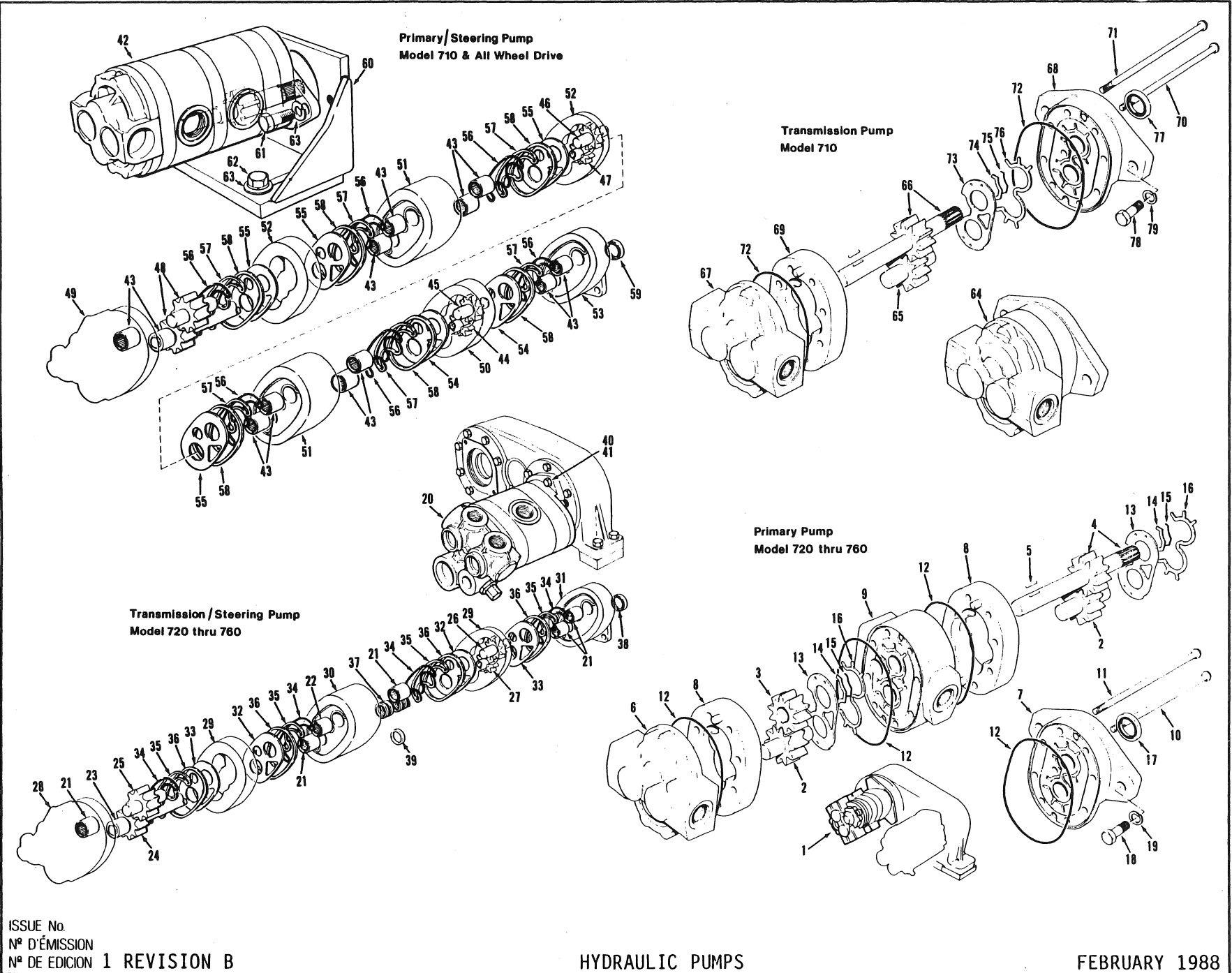


EFFECTIVE SERIAL NUMBERS) 16224, 16245 TO 16797
 NUMEROSI DE SERIE EFFECTIVIS)
 NUMEROSI DE SERIE EFFECTIVOS)
 U.S. 2021-2 TO 2419-2

700 SERIES
 SERIE 700

SECTION 4 PAGE 1
 SECCION 4 PAGINA 1



ISSUE No.
 N° D'ÉMISSION
 N° DE EDICION 1 REVISION B

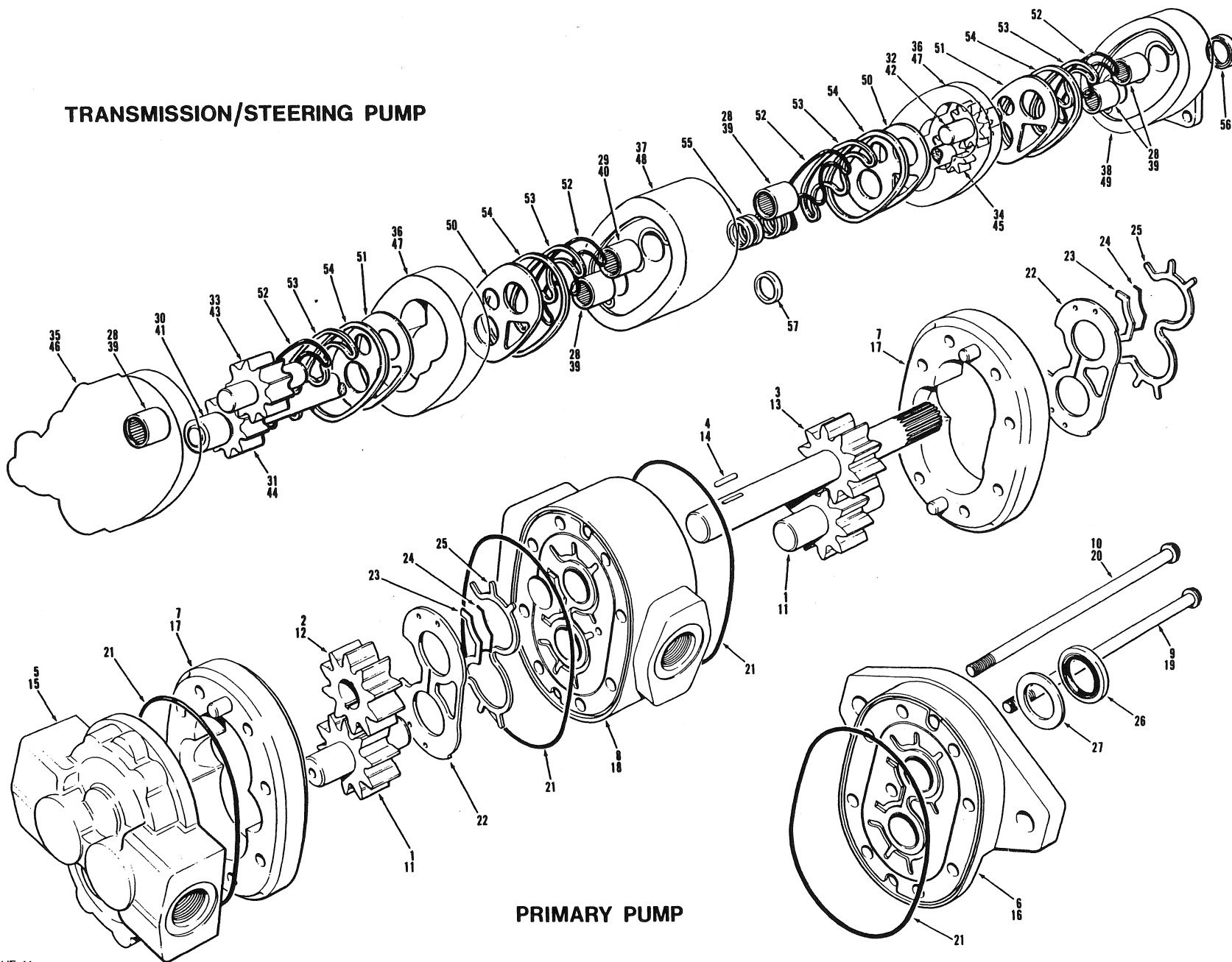
FEBRUARY 1988

FOR LIST OF PARTS - TURN THIS PAGE POUR LA LISTE DES PIÈCES - VOIR AU VERSO PARA LA LISTA DE LAS PIEZAS - VER AL VERSO

USE ONLY CHAMPION GOLD MACHINERY APPROVED PARTS

SECTION SECCION 4		PAGE PAGINA 2	ISSUE No. N° D'ÉMISSION N° DE EDICION 1 REVISION B	HYDRAULIC PUMPS		FEBRUARY 1988			
No. N° N°	PART No. N° DE PIÉCE N° DE PIEZA	DESCRIPTION DÉSCRIPTION DESCRIPCION	No. REQ. N° REQ. N° REQ.	REMARKS REMARQUES NOTAS	No. N° N°	PART No. N° DE PIÉCE N° DE PIEZA	DESCRIPTION DÉSCRIPTION DESCRIPCION	No. REQ. N° REQ. N° REQ.	REMARKS REMARQUES NOTAS
<u>HYDRAULIC PUMP - PRIMARY</u>			720 THRU 760A		<u>HYDRAULIC PUMP - PRIMARY & STEERING</u>			710/710A & ALL MODELS WITH A.W.D.	
1	27895	HYDRAULIC PUMP ASSY. - C/W ITEMS 2 TO 17	1						
2	33570	IDLER GEAR ASSY.	2		42	34944	HYDRAULIC PUMP ASSY. - C/W ITEMS 43 TO 59	1	
3	33571	SLIP FIT GEAR	1						
4	33572	DRIVE SHAFT ASSY. - C/W GEAR & SHAFT	1		43	27529	BEARING	12	
5	34655	KEY	1		44	37047	DRIVE SHAFT ASSY. - C/W GEAR & SHAFT	1	
6		BACK PLATE ASSY.	1		45	37411	IDLER GEAR	1	
7		FRONT PLATE ASSY.	1		46	37415	IDLER GEAR	1	
8		BODY ASSY.	2		47	37418	SLIP GEAR	1	
9		ADAPTER PLATE ASSY.	1	NOT AVAILABLE SEPARATELY	48	37419	IDLER GEAR	2	
10		BOLT	4		49		COVER ASSY.	1	
11		BOLT	4		50		GEAR PLATE	1	
	33288	REPAIR KIT - C/W ITEMS 12 TO 17	1		51		BEARING PLATE	2	NOT AVAILABLE SEPARATELY
12		O RING	4		52		GEAR PLATE	2	
13		WEAR PLATE	2		53		FRONT PLATE	1	
14		SEAL	2						
15		O RING - MOLDED	2			24220	REPAIR KIT - C/W ITEMS 54 TO 59	1	
16		GASKET	2		54		WEAR PLATE	2	
17		OIL SEAL	1		55		WEAR PLATE - GROOVED	4	
18	57A-0810	BOLT	2		56		E RING	6	
19	14A-08	LOCKWASHER	2		57		E SEAL	6	
					58		SEAL	6	
					59		OIL SEAL	1	
<u>HYDRAULIC PUMP - TRANSMISSION & STEERING</u>			720 THRU 760A		<u>HYDRAULIC PUMP - TRANSMISSION</u>			710/710A & A.W.D., 710 & 710A	
20	*46443	HYDRAULIC PUMP ASSY. - C/W ITEMS 21 TO 39	1		60	40293	MOUNTING BRACKET	1	
21	27529	BEARING	5		61	50A-0810	BOLT	2	
22	27532	BEARING	1		62	50A-0814	BOLT	4	
23	27533	BEARING	1		63	14A-08	LOCKWASHER	6	
24	34403	DRIVE SHAFT - C/W GEAR & SHAFT	1						
25	37409	IDLER GEAR	1						
26	37414	IDLER GEAR	1						
27	37416	SLIP GEAR	1						
28		COVER ASSY.	1		64	36574	HYDRAULIC PUMP ASSY. - C/W ITEMS 65 TO 77	1	
29		GEAR PLATE	2						
30		BEARING PLATE	1	NOT AVAILABLE SEPARATELY	65	37166	IDLER GEAR	1	
31		FRONT PLATE	1		66	37167	DRIVE SHAFT ASSY. - C/W GEAR & SHAFT	1	
	*48499	REPAIR KIT - C/W ITEMS 32 TO 39	1		67		BACK PLATE ASSY.	1	
32		WEAR PLATE	2		68		FRONT PLATE ASSY.	1	
33		WEAR PLATE - GROOVED	2		69		BODY ASSY.	1	NOT AVAILABLE SEPARATELY
34		E RING	4		70		BOLT	4	
35		E SEAL	4		71		BOLT	4	
36		SEAL RING	4						
37	*	OIL SEAL	8			37103	REPAIR KIT - C/W ITEMS 72 TO 77	1	
38		OIL SEAL	1		72		O RING	2	
39		BACK UP RING	1		73		WEAR PLATE	1	
	34405	REPAIR KIT - C/W ITEMS 21 TO 24 & 32 TO 35	1		74		SEAL	1	
					75		O RING - MOLDED	1	
40	57A-0810	BOLT	2		76		GASKET	1	
41	14A-08	LOCKWASHER	2		77		OIL SEAL	1	
					78	350A-12075	BOLT	2	
					79	14A-08	LOCKWASHER	2	

TRANSMISSION/STEERING PUMP



PRIMARY PUMP

HYDRAULIC PUMPS

FEBRUARY 1988

ISSUE No.
 N° D'ÉMISSION
 N° DE EDICION 2 REVISION B

FOR LIST OF PARTS - TURN THIS PAGE

POUR LA LISTE DES PIÈCES - VOIR AU VERSO

PARA LA LISTA DE LAS PIEZAS - VER AL VERSO

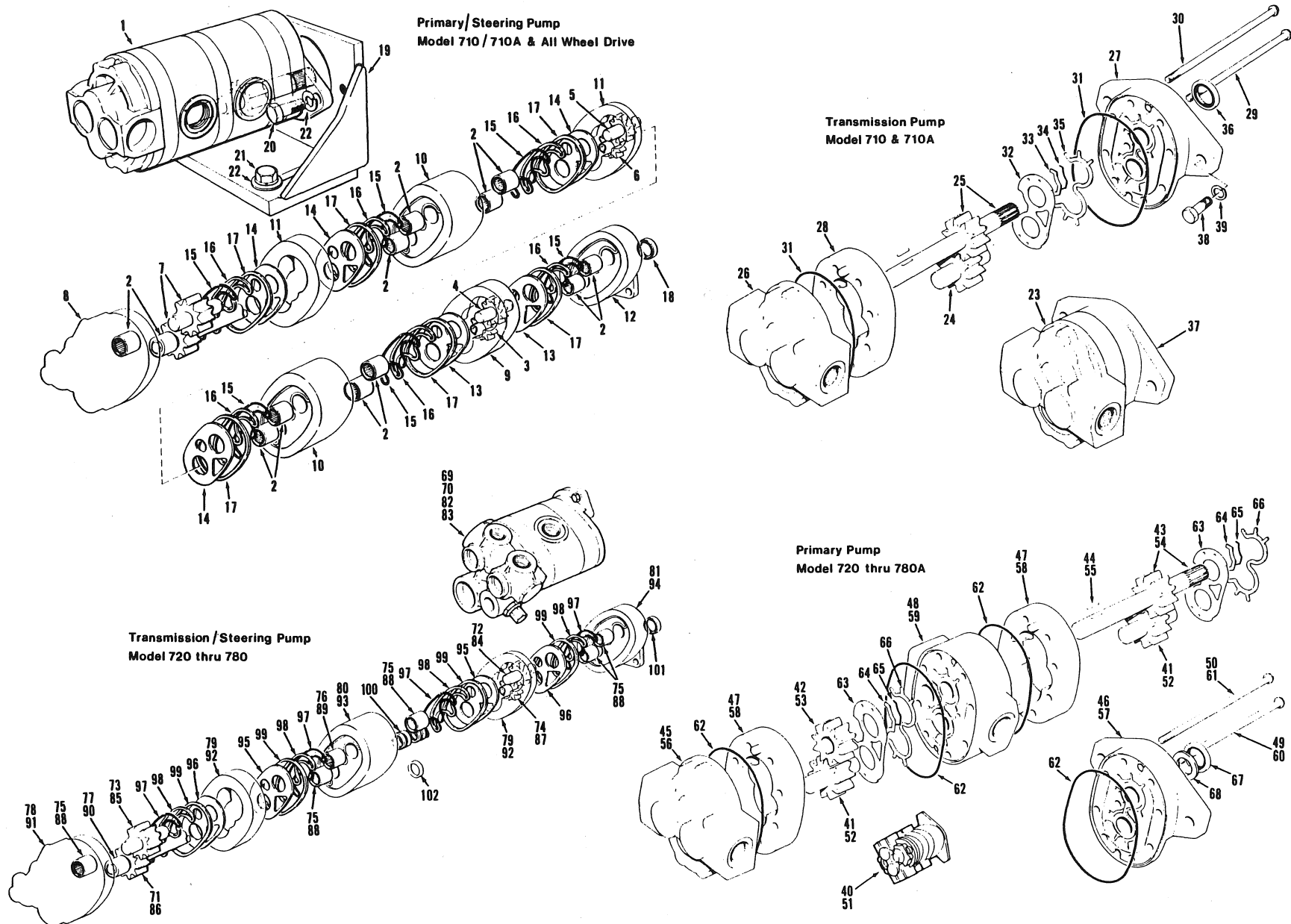
EFFECTIVE SERIAL NUMBER(S) 16798 TO 17375 & 17379
 NUMEROS DE SÉRIE EFFECTIFS TO 17381
 NUMERO(S) DE SERIE EFECTIVOS

700 SERIES
 SERIE 700

SECTION 4 PAGE 1
 SECCION 4 PAGINA 1

SECTION SECCION		PAGE PAGINA	ISSUE No. N° D'ÉMISSION N° DE EDICION	2 REVISION B	HYDRAULIC PUMPS			FEBRUARY 1988		
No. N° N°	PART No. N° DE PIÈCE N° DE PIEZA	DESCRIPTION DÉSCRIPTION DESCRIPCION	No. REQ. N° REQ. N° REQ.	REMARKS REMARQUES NOTAS	No. N° N°	PART No. N° DE PIECE N° DE PIEZA	DESCRIPTION DÉSCRIPTION DESCRIPCION	No. REQ. N° REQ. N° REQ.	REMARKS REMARQUES NOTAS	
<u>HYDRAULIC PUMP - PRIMARY</u>					710 THRU 730A					
1	41859	HYDRAULIC PUMP ASSY. - C/W ITEMS 1 TO 10	1							
2	45873	IDLER GEAR ASSY.	2		28	41858	HYDRAULIC PUMP ASSY. - C/W ITEMS 28 TO 38	1		
3	45874	SLIP FIT GEAR	1		29	*27529	BEARING	5		
4	45875	DRIVE SHAFT ASSY. - C/W GEAR & SHAFT	1		30	*27532	BEARING	1		
5		KEY	1		31	*27533	BEARING	1		
6		BACK PLATE ASSY.	1		32	37408	DRIVE SHAFT ASSY. - C/W GEAR & SHAFT	1		
7		FRONT PLATE ASSY.	1	} NOT AVAILABLE SEPARATELY	33	37413	IDLER GEAR	1		
8		BODY ASSY.	2			34	37414	IDLER GEAR	1	
9		ADAPTER PLATE ASSY.	1			35	37416	SLIP FIT GEAR	1	
10		BOLT	4			36		COVER ASSY.	1	
		BOLT	4		37		GEAR PLATE	2	} NOT AVAILABLE SEPARATELY	
					38		BEARING PLATE	1		
							FRONT PLATE	1		
<u>HYDRAULIC PUMP - PRIMARY</u>					740 THRU 780A					
11	41860	HYDRAULIC PUMP ASSY. - C/W ITEMS 11 TO 20	1				<u>HYDRAULIC PUMP - TRANSMISSION & STEERING</u>		A.W.D.	
12	33570	IDLER GEAR ASSY.	2							
13	33571	SLIP FIT GEAR	1							
14	33572	DRIVE SHAFT ASSY. - C/W GEAR & SHAFT	1		39	42047	HYDRAULIC PUMP ASSY. - C/W ITEMS 39 TO 49	1		
15		KEY	1		40	*27529	BEARING	5		
16		BACK PLATE ASSY.	1		41	*27532	BEARING	1		
17		FRONT PLATE ASSY.	2	} NOT AVAILABLE SEPARATELY	42	*27533	BEARING	1		
18		BODY ASSY.	1			43	45876	IDLER GEAR ASSY.	1	
19		ADAPTER PLATE ASSY.	1			44	45877	IDLER GEAR ASSY.	1	
20		BOLT	4			45	45878	DRIVE SHAFT ASSY. - C/W GEAR & SHAFT	1	
		BOLT	4		46	45879	SLIP FIT GEAR	1		
	33288	REPAIR KIT - C/W ITEMS 21 TO 27	1	USED FOR 41859 & 41860	47		COVER ASSY.	1		
					48		GEAR PLATE	2	} NOT AVAILABLE SEPARATELY	
					49		BEARING PLATE	1		
							FRONT PLATE	1		
21		O RING	4			18611	REPAIR KIT - C/W ITEMS 50 TO 57	1	USED FOR 41858 & 42047	
22		WEAR PLATE	2							
23		SEAL	2		50		WEAR PLATE	2		
24		O RING - MOLDED	2		51		WEAR PLATE - GROOVED	2		
25		GASKET	2		52		E RING	4		
26		OIL SEAL	1		53		E SEAL	4		
27		WASHER	1		54		SEAL RING	4		
					55		OIL SEAL	4		
					56		OIL SEAL	1		
					57		BACK UP RING	1		
						* NOTE	41858 PUMP IS REPLACED BY 46043 42047 PUMP IS REPLACED BY 46226 FA-KITS ARE REQUIRED TO CONNECT NEW PUMPS TO HYDRAULIC CIRCUIT. FA-310 FOR ARTICULATED MACHINES FA-311 FOR RIGID MACHINES FA-312 FOR TROPICAL PROTECTION PACKAGE		REF. SECTION 6 PAGE 6	

CHAMPION ROAD MACHINERY



EFFECTIVE SERIAL NUMBERS) 17376, 17377, 17378,
 NUMEROS) DE SERIE EFFECTIFS) 17382 TO 17932
 NUMEROS) DE SERIE EFECTIVOS)
 U.S. 2572-2 & UP

700 SERIES
 SERIE 700

SECTION 4 PAGE 1
 SECTION 4 PAGINA 1

ISSUE No.
 N° D'ÉMISSION
 N° DE EDICION 3 REVISION B

HYDRAULIC PUMPS

FEBRUARY 1988

FOR LIST OF PARTS - TURN THIS PAGE

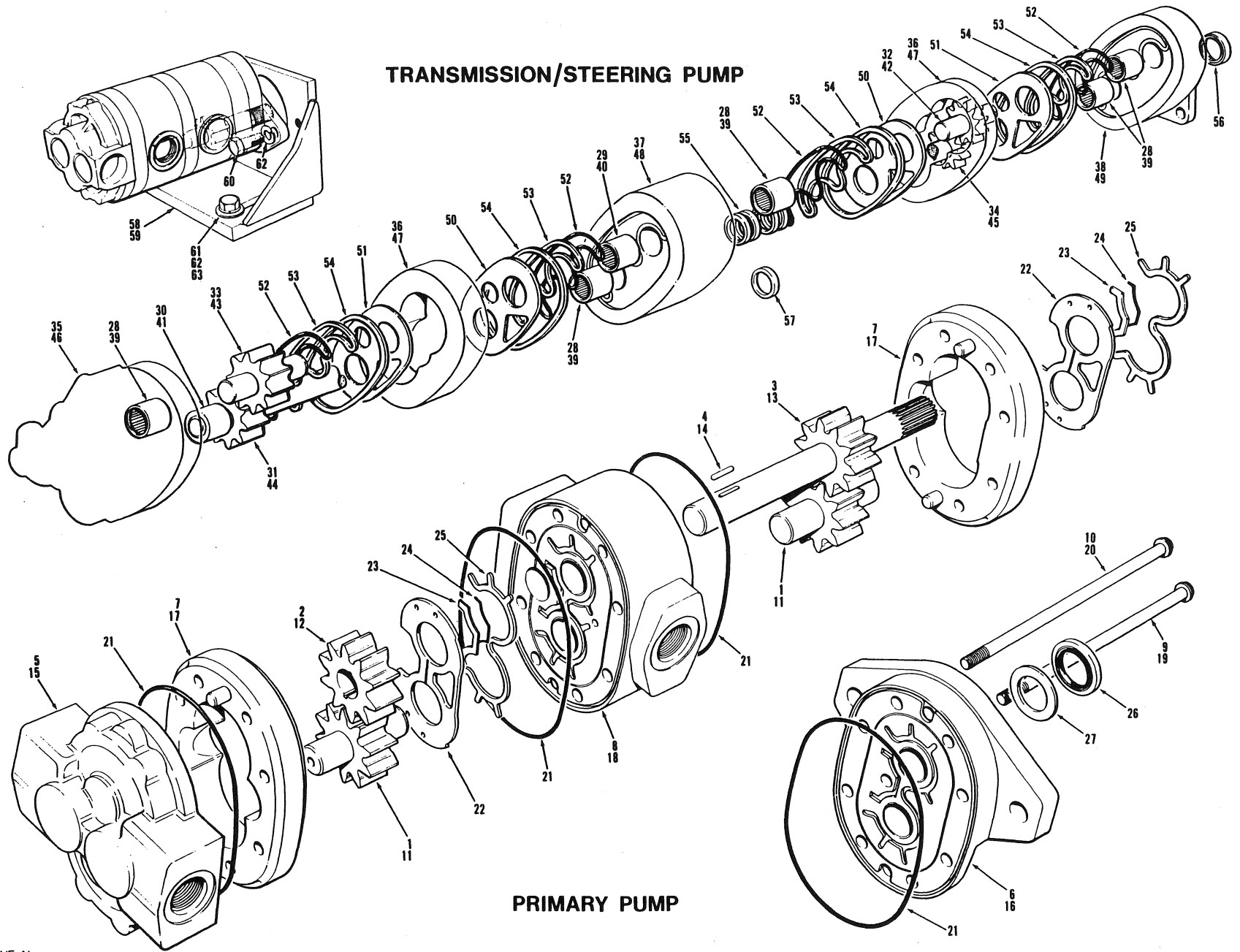
POUR LA LISTE DES PIÈCES - VOIR AU VERSO

PARA LA LISTA DE LAS PIEZAS - VER AL VERSO

USE ONLY CHAMPION ROAD MACHINERY APPROVED PARTS

SECTION SECCION 4		PAGE PAGINA 2	ISSUE No. N° D'ÉMISSION N° DE EDICION 3 REVISION B	HYDRAULIC PUMPS				FEBRUARY 1988		
No. N° N°	PART No. N° DE PIÈCE N° DE PIEZA	DESCRIPTION DÉSCRIPTION DESCRIPCION	No. REQ. N° REQ. N° REQ.	REMARKS REMARQUES NOTAS	No. N° N°	PART No. N° DE PIECE N° DE PIEZA	DESCRIPTION DÉSCRIPTION DESCRIPCION	No. REQ. N° REQ. N° REQ.	REMARKS REMARQUES NOTAS	
HYDRAULIC PUMP - PRIMARY & STEERING										
1	34944	HYDRAULIC PUMP ASSY. - C/W ITEMS 2 TO 12	1	710 & 710A	53	33571	SLIP FIT GEAR	1	NOT AVAILABLE SEPARATELY	
2	27529	BEARING	12		54	33572	DRIVE SHAFT ASSY. - C/W GEAR & SHAFT	1		
3	37047	DRIVE SHAFT ASSY. - C/W GEAR & SHAFT	1		55		KEY	1		
4	37411	IDLER GEAR	1		56		BACK PLATE ASSY.	1		
5	37415	IDLER GEAR	1		57		FRONT PLATE ASSY.	1		
6	37418	SLIP GEAR	1		58		BODY ASSY.	2		
7	37419	IDLER GEAR	2		59		ADAPTER PLATE ASSY.	1		
8		COVER ASSY.	1		60		BOLT	4		
9		GEAR PLATE	1		61	33288	BOLT	4		
10		BEARING PLATE	2				REPAIR KIT - C/W ITEMS 62 TO 68 USED FOR	1		41859 41860
11		GEAR PLATE	2							
12	24220	FRONT PLATE	1		62		O RING	4		
13		REPAIR KIT - C/W ITEMS 13 TO 18 USED ON	1	63		WEAR PLATE	2			
14		WEAR PLATE	2	64		SEAL	2			
15		WEAR PLATE - GROOVED	4	65		O RING - MOLDED	2			
16		E RING	6	66		GASKET	2			
17		E SEAL	6	67		OIL SEAL	1			
18		SEAL	6	68		WASHER	1			
19	40293	OIL SEAL	1	69		HYDRAULIC PUMP - TRANSMISSION & STEERING		720 THRU 780A		
20	50A-0810	MOUNTING BRACKET	1	70	41858	HYDRAULIC PUMP ASSY. - C/W ITEMS 71 TO 81	1			
21	50A-0814	BOLT	2	71	37408	DRIVE SHAFT ASSY. - C/W GEAR & SHAFT	1			
22	14A-08	BOLT	4	72	37413	IDLER GEAR	1			
		LOCKWASHER	6	73	37414	IDLER GEAR	1			
HYDRAULIC PUMP - TRANSMISSION										
			1	74	37416	SLIP FIT GEAR	1			
23	36574	HYDRAULIC PUMP ASSY. - C/W ITEMS 23 TO 30	1	75	*27529	BEARING	5			
24	37166	IDLER GEAR ASSY.	1	76	*27532	BEARING	1			
25	37167	DRIVE GEAR ASSY. - C/W GEAR & SHAFT	1	77	*27533	BEARING	1			
26		BACK PLATE ASSY.	1	78		COVER ASSY.	1			
27		FRONT PLATE ASSY.	1	79		GEAR PLATE	2			
28		BODY ASSY.	1	80		BEARING PLATE	1			
29		BOLT	4	81		FRONT PLATE	1			
30		BOLT	4	82		HYDRAULIC PUMP - TRANSMISSION & STEERING		A.W.D.		
31	37103	REPAIR KIT - C/W ITEMS 31 TO 36 USED ON	1	83	42047	HYDRAULIC PUMP ASSY. - C/W ITEMS 84 TO 94	1			
32		O RING	2	84	45876	IDLER GEAR ASSY.	1			
33		WEAR PLATE	1	85	45877	IDLER GEAR ASSY.	1			
34		SEAL	1	86	45878	DRIVE SHAFT ASSY. - C/W GEAR & SHAFT	1			
35		O RING - MOLDED	1	87	45879	SLIP FIT GEAR	1			
36		GASKET	1	88	*27529	BEARING	5			
37	42794	OIL SEAL	1	89	*27532	BEARING	1			
38	350A-12075	GASKET	1	90	*27533	BEARING	1			
39	14A-08	BOLT	2	91		COVER ASSY.	1			
		LOCKWASHER	2	92		GEAR PLATE	2			
HYDRAULIC PUMP - PRIMARY										
				93		BEARING PLATE	1			
40	41859	HYDRAULIC PUMP ASSY. - C/W ITEMS 41 TO 50	1	94	18611	FRONT PLATE	1			
41	45873	IDLER GEAR ASSY.	2			REPAIR KIT - C/W ITEMS 95 TO 102 USED FOR	1	41858 42047		
42	45874	SLIP FIT GEAR	1	95		WEAR PLATE	2			
43	45875	DRIVE SHAFT ASSY. - C/W GEAR & SHAFT	1	96		WEAR PLATE - GROOVED	2			
44		KEY	1	97		E RING	4			
45		BACK PLATE ASSY.	1	98		E SEAL	4			
46		FRONT PLATE ASSY.	1	99		SEAL RING	4			
47		BODY ASSY.	2	100		OIL SEAL	4			
48		ADAPTER PLATE ASSY.	1	101		OIL SEAL	1			
49		BOLT	4	102		BACK UP RING	1			
50		BOLT	4			* NOTE				
HYDRAULIC PUMP - PRIMARY										
				740 THRU 780A						
51	41860	HYDRAULIC PUMP ASSY. C/W ITEMS 52 TO 61	1			41858 PUMP IS REPLACED BY 46043			REF. SECTION 6 PAGE 6	
52	33570	IDLER GEAR ASSY.	2			42047 PUMP IS REPLACED BY 46226				
						FA-KITS ARE REQUIRED TO CONNECT NEW PUMPS TO HYDRAULIC CIRCUIT.				
						FA-310 FOR ARTICULATED MACHINES				
						FA-311 FOR RIGID MACHINES				
						FA-312 FOR TROPICAL PROTECTION PACKAGE				

TRANSMISSION/STEERING PUMP



PRIMARY PUMP

HYDRAULIC PUMPS

FEBRUARY 1988

ISSUE No.
 N° D'ÉMISSION
 N° DE EDICION 4 REVISION A

FOR LIST OF PARTS - TURN THIS PAGE

POUR LA LISTE DES PIÈCES - VOIR AU VERSO

PARA LA LISTA DE LAS PIEZAS - VER AL VERSO

EFFECTIVE SERIAL NUMBERS 17933 TO 18466
 NUMEROS DE SERIE EFFECTIFS
 NUMEROS DE SERIE EFECTIVOS

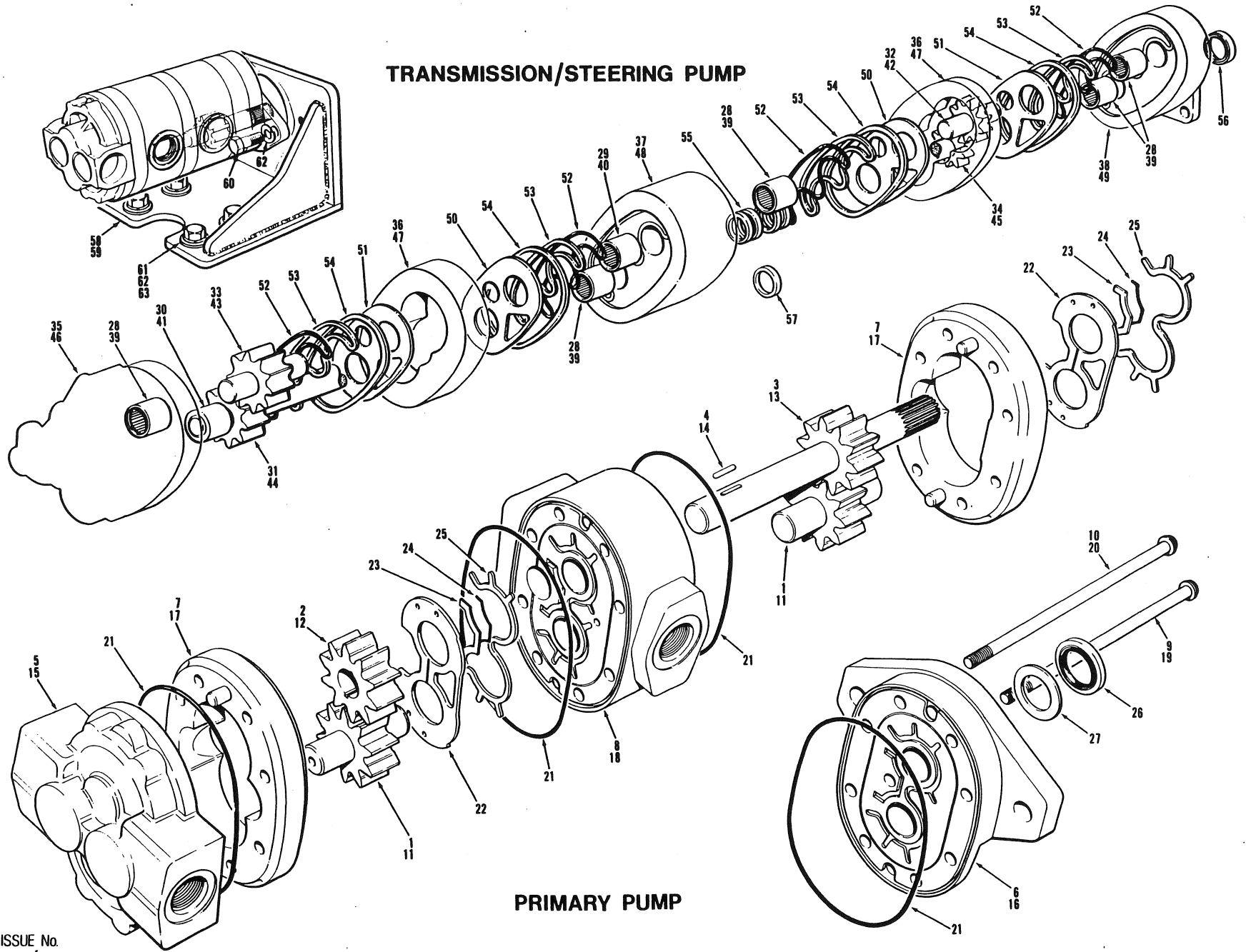
700 SERIES
 SERIE 700

SECTION 4 PAGE 1
 SECCION 4 PAGINA 1

USE ONLY CHAMPION APPROVED PARTS

SECTION SECCION		PAGE PAGINA		ISSUE No. N° D'ÉMISSION N° DE EDICION		4 REVISION A		HYDRAULIC PUMPS			FEBRUARY 1988	
No. N° N°	PART No. N° DE PIÉCE N° DE PIEZA	DESCRIPTION DÉSCRIPTION DESCRIPCION	No. REQ. N° REQ. N° REQ.	REMARKS REMARQUES NOTAS	No. N° N°	PART No. N° DE PIÉCE N° DE PIEZA	DESCRIPTION DÉSCRIPTION DESCRIPCION	No. REQ. N° REQ. N° REQ.	REMARKS REMARQUES NOTAS			
<u>HYDRAULIC PUMP - PRIMARY</u>												
	41859	HYDRAULIC PUMP ASSY. - C/W ITEMS 1 TO 10	1	710 THRU 730A	33	37414	IDLER GEAR	1				
1	45873	IDLER GEAR ASSY.	2		34	37416	SLIP FIT GEAR	1				
2	45874	SLIP FIT GEAR	1		35		COVER ASSY.	1				
3	45875	DRIVE SHAFT ASSY. - C/W GEAR & SHAFT	1		36		GEAR PLATE	2	} NOT AVAILABLE SEPARATELY			
4		KEY	1		37		BEARING PLATE	1				
5		BACK PLATE ASSY.	1		38		FRONT PLATE	1				
6		FRONT PLATE ASSY.	1		<u>HYDRAULIC PUMP - TRANSMISSION & STEERING</u>							
7		BODY ASSY.	2									
8		ADAPTER PLATE ASSY.	1									
9		BOLT	4		39	42047	HYDRAULIC PUMP ASSY. - C/W ITEMS 39 TO 49	1				
10		BOLT	4		40	*27529	BEARING	5				
<u>HYDRAULIC PUMP - PRIMARY</u>												
	41860	HYDRAULIC PUMP ASSY. - C/W ITEMS 11 TO 20	1	740 THRU 780A	41	*27532	BEARING	1				
11	33570	IDLER GEAR ASSY.	2		42	45876	IDLER GEAR ASSY.	1				
12	33571	SLIP FIT GEAR	1		43	45877	IDLER GEAR ASSY.	1				
13	33572	DRIVE SHAFT ASSY. - C/W GEAR & SHAFT	1		44	45878	DRIVE SHAFT ASSY. - C/W GEAR & SHAFT	1				
14		KEY	1		45	45879	SLIP FIT GEAR	1				
15		BACK PLATE ASSY.	1		46		COVER ASSY.	1	} NOT AVAILABLE SEPARATELY			
16		FRONT PLATE ASSY.	2		47		GEAR PLATE	2				
17		BODY ASSY.	1		48		BEARING PLATE	1				
18		ADAPTER PLATE ASSY.	1		49		FRONT PLATE	1				
19		BOLT	4									
20		BOLT	4		50	18611	REPAIR KIT - C/W ITEMS 50 TO 57	1	USED FOR 41858 & 42047			
	33288	REPAIR KIT - C/W ITEMS 21 TO 27	1	USED FOR 41859 & 41860	51		WEAR PLATE	2				
21		O RING	4		52		WEAR PLATE - GROOVED	2				
22		WEAR PLATE	2		53		E RING	4				
23		SEAL	2		54		E SEAL	4				
24		O RING - MOLDED	2		55		SEAL RING	4				
25		GASKET	2		56		OIL SEAL	4				
26		OIL SEAL	1		57		OIL SEAL	1				
27		WASHER	1		58	40293	BACK UP RING	1				
<u>HYDRAULIC PUMP - TRANSMISSION & STEERING</u>												
	41858	HYDRAULIC PUMP ASSY. - C/W ITEMS 28 TO 38	1	710 THRU 780A	59	41879	MOUNTING BRACKET	1	710/710A			
28	*27529	BEARING	5		60	*50A-0810	MOUNTING BRACKET	1	720 THRU 780A			
29	*27532	BEARING	1		61	*50A-0814	BOLT	2				
30	*27533	BEARING	1		62	*14A-08	BOLT	4				
31	37408	DRIVE SHAFT ASSY. - C/W GEAR & SHAFT	1		63	*14C-08	LOCKWASHER	6				
32	37413	IDLER GEAR	1				FLATWASHER	4				
* NOTE												
41858 PUMP IS REPLACED BY 46043												
42047 PUMP IS REPLACED BY 46226												
FA-KITS ARE REQUIRED TO CONNECT NEW PUMPS												
TO HYDRAULIC CIRCUIT.												
FA-310 FOR ARTICULATED MACHINES												
FA-311 FOR RIGID MACHINES												
FA-312 FOR TROPICAL PROTECTION PACKAGE												
										REF. SECTION 6 PAGE 6		

TRANSMISSION/STEERING PUMP



PRIMARY PUMP

HYDRAULIC PUMPS

ISSUE No.
N° D'ÉMISSION
N° DE EDICION

5 REVISION B

AUGUST 1989

FOR LIST OF PARTS - TURN THIS PAGE

POUR LA LISTE DES PIÈCES - VOIR AU VERSO

PARA LA LISTA DE LAS PIEZAS - VER AL VERSO

EFFECTIVE SERIAL NUMBERS) SEE OVER
NUMEROS) DE SERIE EFFECTIVS)
NUMEROS) DE SERIE EFFECTIVOS)

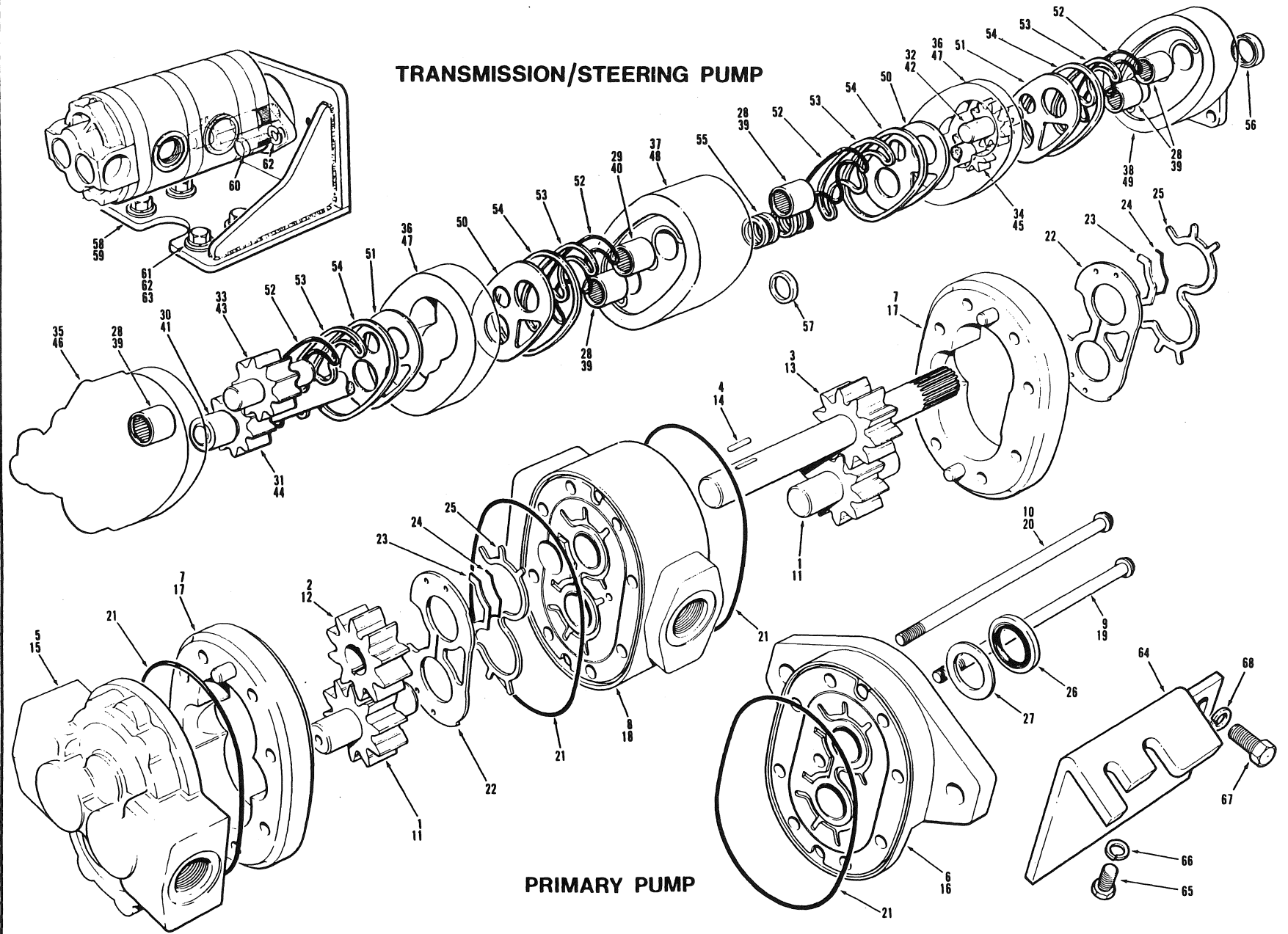
700 SERIES
SERIE 700

SECTION 4 PAGE 1
SECCION 4 PAGINA 1

USE ONLY CHAMPION ROAD MACHINERY APPROVED PARTS

SECTION SECCION		PAGE PAGINA		ISSUE No. N° D'EMISSION N° DE EDICION		5 REVISION B		HYDRAULIC PUMPS		AUGUST 1989	
No. N° Nº	PART No. N° DE PIÉCE N° DE PIEZA	DESCRIPTION DESCRIPTION DESCRIPCION	No. REQ N° REQ. N° REQ.	REMARKS REMARQUES NOTAS	No. N° Nº	PART No. N° DE PIECE N° DE PIEZA	DESCRIPTION DESCRIPTION DESCRIPCION	No. REQ N° REQ. N° REQ.	REMARKS REMARQUES NOTAS		
		<u>HYDRAULIC PUMP - PRIMARY</u>		710 THRU 730A		<u>HYDRAULIC PUMP - TRANSMISSION & STEERING</u>		710 THRU 780A			
1	41859	HYDRAULIC PUMP ASSY. - C/W ITEMS 1 TO 10	1		28	46043	HYDRAULIC PUMP ASSY. - C/W ITEMS 28 TO 38	1			
2	45873	IDLER GEAR ASSEMBLY	2		29	27529	BEARING	5			
3	45874	SLIP FIT GEAR	1		30	27532	BEARING	1			
4	45875	DRIVE SHAFT ASSY. - C/W GEAR & SHAFT	1		31	27533	BEARING	1			
5		KEY	1		32	37408	DRIVE SHAFT ASSY. - C/W GEAR & SHAFT	1			
6		BACK PLATE ASSEMBLY	1	} NOT AVAILABLE SEPARATELY	33	37413	IDLER GEAR	1			
7		FRONT PLATE ASSEMBLY	1			34	37414	IDLER GEAR	1		
8		BODY ASSEMBLY	2			35	37416	SLIP FIT GEAR	1		
9		ADAPTER PLATE ASSEMBLY	1			36		COVER ASSEMBLY	1		
10		BOLT	4		37		GEAR PLATE	2	} NOT AVAILABLE SEPARATELY		
		BOLT	4		38		BEARING PLATE	1			
	*52459	BOLT & END PLATE KIT FOR 41859 PUMP	A.R.				FRONT PLATE	1			
		<u>HYDRAULIC PUMP - PRIMARY</u>		740 THRU 780A		<u>HYDRAULIC PUMP - TRANSMISSION & STEERING</u>		A.W.D.			
11	41860	HYDRAULIC PUMP ASSY. - C/W ITEMS 11 TO 20	1		39	46226	HYDRAULIC PUMP ASSY. - C/W ITEMS 39 TO 49	1			
12	33570	IDLER GEAR ASSEMBLY	2		40	27529	BEARING	5			
13	33571	SLIP FIT GEAR	1		41	27532	BEARING	1			
14	33572	DRIVE SHAFT ASSY. - C/W GEAR & SHAFT	1		42	27533	BEARING	1			
15		KEY	1		43	45876	IDLER GEAR ASSEMBLY	1			
16		BACK PLATE ASSEMBLY	1	} NOT AVAILABLE SEPARATELY	44	45877	IDLER GEAR ASSEMBLY	1			
17		FRONT PLATE ASSEMBLY	2			45	45878	DRIVE SHAFT ASSY. - C/W GEAR & SHAFT	1		
18		BODY ASSEMBLY	1			46	45879	SLIP FIT GEAR	1		
19		ADAPTER PLATE ASSEMBLY	1			47		COVER ASSEMBLY	1		
20		BOLT	4		48		GEAR PLATE	2	} NOT AVAILABLE SEPARATELY		
		BOLT	4		49		BEARING PLATE	1			
	33288	REPAIR KIT - C/W ITEMS 21 TO 27	1	USED FOR 41859 & 41860		48499	REPAIR KIT - C/W ITEMS 50 TO 57	1	USED FOR 46043 & 46226		
21		O RING	4		50		WEAR PLATE	2			
22		WEAR PLATE	2		51		WEAR PLATE - GROOVED	2			
23		SEAL	2		52		E RING	4			
24		O RING - MOLDED	2		53		E SEAL	4			
25		GASKET	2		54		SEAL RING	4			
26		OIL SEAL	1		55		OIL SEAL	8			
27		WASHER	1		56		OIL SEAL	1			
		EFFECTIVE SERIAL NUMBERS:			57		BACK UP RING	1			
	710/710A	18467 TO 19886, 19888, 19891			58	46035	MOUNTING BRACKET	1	710/710A		
	720 THRU 730A	18467 TO 19665, 19802, 19805, 19810, 19814, 19818, 19823			59	46029	MOUNTING BRACKET	1	720 THRU 780A		
	740 THRU 780A	18467 TO 19821			60	50A-0810	BOLT	2			
					61	50A-0814	BOLT	4			
					62	14A-08	LOCKWASHER	6			
					63	14C-08	FLATWASHER	4			

TRANSMISSION/STEERING PUMP



PRIMARY PUMP

HYDRAULIC PUMPS

EFFECTIVE SERIAL NUMBERS)
 NUMEROS) DE SERIE EFFECTIFS)
 NUMEROS) DE SERIE EFFECTIVOS)

SEE OVER

700 SERIES
 SERIE 700

SECTION 4 PAGE 1
 SECCION 4 PAGINA 1

ISSUE No.
 N° D'ÉMISSION
 N° DE EDICION 6

FOR LIST OF PARTS - TURN THIS PAGE

POUR LA LISTE DES PIÈCES - VOIR AU VERSO

PARA LA LISTA DE LAS PIEZAS - VER AL VERSO

AUGUST 1989

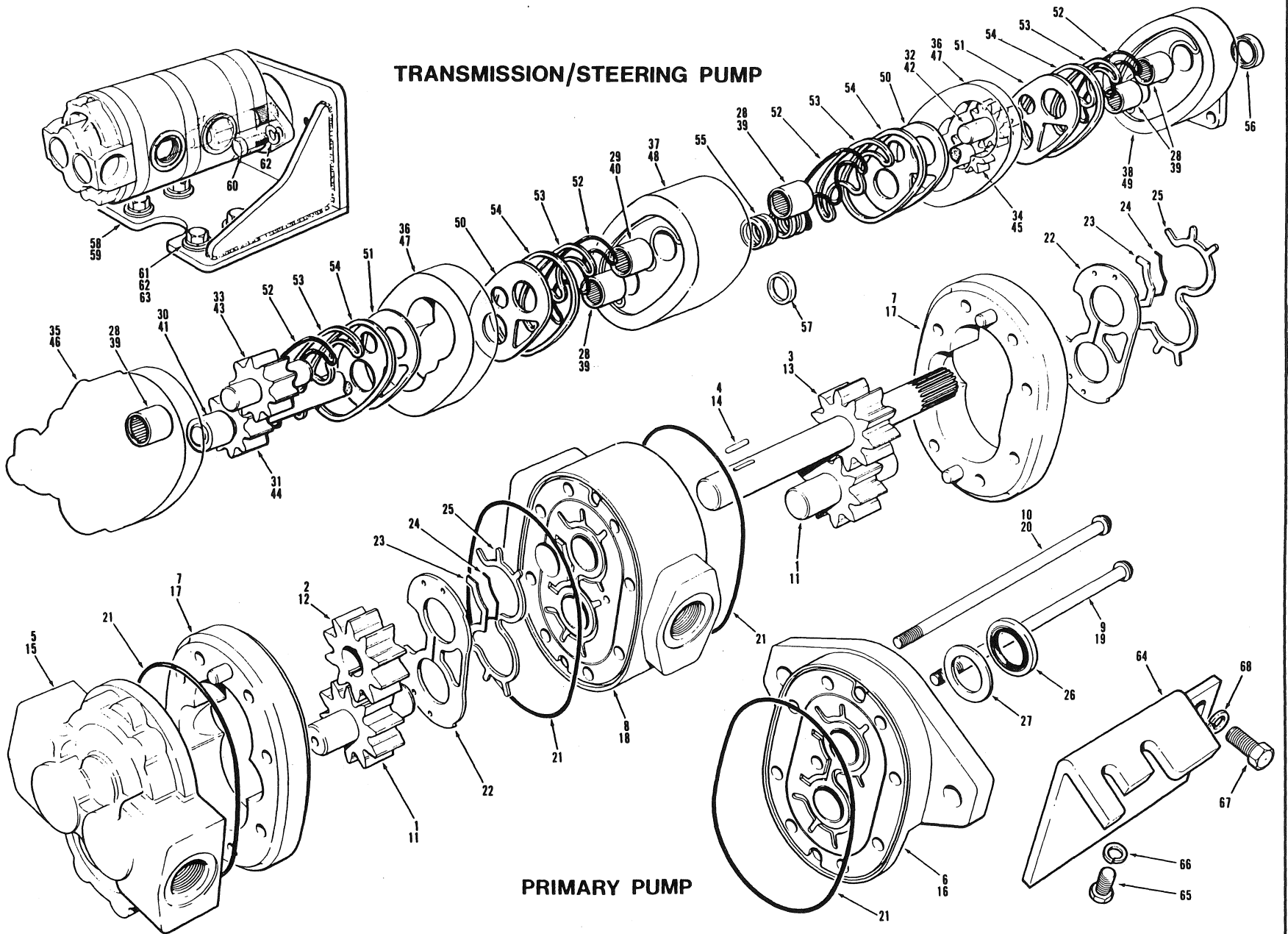
USE ONLY CHAMPION ROAD MACHINERY APPROVED PARTS

SECTION SECCION		PAGE PAGINA		ISSUE No. N° D'ÉMISSION N° DE EDICION		HYDRAULIC PUMPS				AUGUST 1989	
No. N° N°	PART No. N° DE PIÈCE N° DE PIEZA	DESCRIPTION DÉSCRIPTION DESCRIPCION	No. REQ N° REQ. N° REQ.	REMARKS REMARQUES NOTAS	No. N° N°	PART No. N° DE PIECE N° DE PIEZA	DESCRIPTION DÉSCRIPTION DESCRIPCION	No. REQ N° REQ. N° REQ.	REMARKS REMARQUES NOTAS		
		HYDRAULIC PUMP - PRIMARY		710 THRU 730A		HYDRAULIC PUMP - TRANSMISSION & STEERING		710 THRU 780A			
1	*51966	HYDRAULIC PUMP ASSY. - C/W ITEMS 1 TO 10	1			46043	HYDRAULIC PUMP ASSY. - C/W ITEMS 28 TO 38	1			
2	45873	IDLER GEAR ASSEMBLY	2		28	27529	BEARING	5			
3	45874	SLIP FIT GEAR	1		29	27532	BEARING	1			
4	45875	DRIVE SHAFT ASSY. - C/W GEAR & SHAFT	1		30	27533	BEARING	1			
5		KEY	1		31	37408	DRIVE SHAFT ASSY. - C/W GEAR & SHAFT	1			
6		BACK PLATE ASSEMBLY	1	} NOT AVAILABLE SEPARATELY	32	37413	IDLER GEAR	1			
7		FRONT PLATE ASSEMBLY	1		33	37414	IDLER GEAR	1			
8		BODY ASSEMBLY	2		34	37416	SLIP FIT GEAR	1			
9		ADAPTER PLATE ASSEMBLY	1		35		COVER ASSEMBLY	1			
10		BOLT	4		36		GEAR PLATE	2	} NOT AVAILABLE SEPARATELY		
		BOLT	4	37		BEARING PLATE	1				
				38		FRONT PLATE	1				
		HYDRAULIC PUMP - PRIMARY		740 THRU 780A		HYDRAULIC PUMP - TRANSMISSION & STEERING		A.W.D.			
11	41860	HYDRAULIC PUMP ASSY. - C/W ITEMS 11 TO 20	1		39	46226	HYDRAULIC PUMP ASSY. - C/W ITEMS 39 TO 49	1			
12	33570	IDLER GEAR ASSEMBLY	2		40	27529	BEARING	5			
13	33571	SLIP FIT GEAR	1		41	27532	BEARING	1			
14	33572	DRIVE SHAFT ASSY. - C/W GEAR & SHAFT	1		42	27533	BEARING	1			
15		KEY	1		43	45876	IDLER GEAR ASSEMBLY	1			
16		BACK PLATE ASSEMBLY	1	} NOT AVAILABLE SEPARATELY	44	45877	IDLER GEAR ASSEMBLY	1			
17		FRONT PLATE ASSEMBLY	2		45	45878	DRIVE SHAFT ASSY. - C/W GEAR & SHAFT	1			
18		BODY ASSEMBLY	1		46	45879	SLIP FIT GEAR	1			
19		ADAPTER PLATE ASSEMBLY	1		47		COVER ASSEMBLY	1			
20		BOLT	4		48		GEAR PLATE	2	} NOT AVAILABLE SEPARATELY		
		BOLT	4	49		BEARING PLATE	1				
						FRONT PLATE	1				
	33288	REPAIR KIT - C/W ITEMS 21 TO 27	1	USED FOR 51966 & 41860		48499	REPAIR KIT - C/W ITEMS 50 TO 57	1	USED FOR 46043 & 46226		
21		O RING	4		50		WEAR PLATE	2			
22		WEAR PLATE	2		51		WEAR PLATE - GROOVED	2			
23		SEAL	2		52		E RING	4			
24		O RING - MOLDED	2		53		E SEAL	4			
25		GASKET	2		54		SEAL RING	4			
26		OIL SEAL	1		55		OIL SEAL	8			
27		WASHER	1		56		OIL SEAL	1			
		EFFECTIVE SERIAL NUMBERS:			57		BACK UP RING	1			
	710/710A	19887, 19889, 19890, 19892 TO 20104			58	46035	MOUNTING BRACKET	1	710/710A		
	720 THRU 730A	19666 TO 19801, 19803, 19804, 19806 TO 19809, 19811 TO 19813, 19815 TO 19811 TO 819 TO 19822, 19824 TO 20120			59	46029	MOUNTING BRACKET	1	720 THRU 780A		
	740 THRU 780A	19826 TO 20106			60	50A-0810	BOLT	2	} 710 THRU 730A		
					61	50A-0814	BOLT	4			
					62	14A-08	LOCKWASHER	6			
					63	14C-08	FLATWASHER	4			
					64	*51525	MOUNTING BRACKET	1			
					65	*50A-0508	BOLT	2			
					66	*14A-05	LOCKWASHER	2			
					67	*350A-1025	BOLT	2			
					68	*14A-07	LOCKWASHER	2			

TRANSMISSION/STEERING PUMP

PRIMARY PUMP

HYDRAULIC PUMPS



EFFECTIVE SERIAL NUMBERS) 19982, 19984, 19985, 19996,
 NUMEROS) DE SERIE EFFECTIVS) 20005, 20104, 20106, 20120
 NUMEROS) DE SERIE EFFECTIVS) & UP

700 SERIES
 SERIE 700

SECTION 4 PAGE
 SECCION 4 PAGINA

1

ISSUE No.
 N° D'ÉMISSION
 N° DE EDICION 7

FOR LIST OF PARTS - TURN THIS PAGE

POUR LA LISTE DES PIÈCES - VOIR AU VERSO

PARA LA LISTA DE LAS PIEZAS - VER AL VERSO

AUGUST 1989

SECTION SECCION		PAGE PAGINA		ISSUE No. N° D'ÉMISSION N° DE EDICION		HYDRAULIC PUMPS				AUGUST 1989	
No. N° N°	PART No. N° DE PIÈCE N° DE PIEZA	DESCRIPTION DÉSCRIPTION DESCRIPCION	No. REQ. N° REQ. N° REQ.	REMARKS REMARQUES NOTAS	No. N° N°	PART No. N° DE PIECE N° DE PIEZA	DESCRIPTION DÉSCRIPTION DESCRIPCION	No. REQ. N° REQ. N° REQ.	REMARKS REMARQUES NOTAS		
<u>HYDRAULIC PUMP - PRIMARY</u>			SEE NOTE	710 THRU 730A	<u>HYDRAULIC PUMP - TRANSMISSION & STEERING</u>				710 THRU 780A		
1	51966	HYDRAULIC PUMP ASSY. - C/W ITEMS 1 TO 10	1			*53618	HYDRAULIC PUMP ASSY. - C/W ITEMS 28 TO 38	1			
2	45873	IDLER GEAR ASSEMBLY	2		28	27529	BEARING	5			
3	45874	SLIP FIT GEAR	1		29	27532	BEARING	1			
4	45875	DRIVE SHAFT ASSY. - C/W GEAR & SHAFT	1		30	27533	BEARING	1			
5		KEY	1		31	37408	DRIVE SHAFT ASSY. - C/W GEAR & SHAFT	1			
6		BACK PLATE ASSEMBLY	1		32	37413	IDLER GEAR	1			
7		FRONT PLATE ASSEMBLY	1		33	37414	IDLER GEAR	1			
8		BODY ASSEMBLY	2	NOT AVAILABLE SEPARATELY	34	37416	SLIP FIT GEAR	1			
9		ADAPTER PLATE ASSEMBLY	1		35		COVER ASSEMBLY	1			
10		BOLT	4		36		GEAR PLATE	2	NOT AVAILABLE SEPARATELY		
		BOLT	4		37		BEARING PLATE	1			
					38		FRONT PLATE	1			
<u>HYDRAULIC PUMP - PRIMARY</u>				740 THRU 780A	<u>HYDRAULIC PUMP - TRANSMISSION & STEERING</u>				A.W.D.		
11	41860	HYDRAULIC PUMP ASSY. - C/W ITEMS 11 TO 20	1			*54209	HYDRAULIC PUMP ASSY. - C/W ITEMS 39 TO 49	1			
12	33570	IDLER GEAR ASSEMBLY	2		39	27529	BEARING	5			
13	33571	SLIP FIT GEAR	1		40	27532	BEARING	1			
14	33572	DRIVE SHAFT ASSY. - C/W GEAR & SHAFT	1		41	27533	BEARING	1			
15		KEY	1		42	45876	IDLER GEAR ASSEMBLY	1			
16		BACK PLATE ASSEMBLY	1		43	45877	IDLER GEAR ASSEMBLY	1			
17		FRONT PLATE ASSEMBLY	2	NOT AVAILABLE SEPARATELY	44	45878	DRIVE SHAFT ASSY. - C/W GEAR & SHAFT	1			
18		BODY ASSEMBLY	1		45	45879	SLIP FIT GEAR	1			
19		ADAPTER PLATE ASSEMBLY	1		46		COVER ASSEMBLY	1			
20		BOLT	4		47		GEAR PLATE	2	NOT AVAILABLE SEPARATELY		
		BOLT	4		48		BEARING PLATE	1			
					49		FRONT PLATE	1			
	33288	REPAIR KIT - C/W ITEMS 21 TO 27	1	USED FOR 51966 & 41860		48499	REPAIR KIT - C/W ITEMS 50 TO 57	1	USED FOR 53618 & 54209		
21		O RING	4		50		WEAR PLATE	2			
22		WEAR PLATE	2		51		WEAR PLATE - GROOVED	2			
23		SEAL	2		52		E RING	4			
24		O RING - MOLDED	2		53		E SEAL	4			
25		GASKET	2		54		SEAL RING	4			
26		OIL SEAL	1		55		OIL SEAL	8			
27		WASHER	1		56		OIL SEAL	1			
					57		BACK UP RING	1			
					58	46035	MOUNTING BRACKET	1	710/710A		
					59	46029	MOUNTING BRACKET	1	720 THRU 780A		
					60	50A-0810	BOLT	2			
					61	50A-0814	BOLT	4			
					62	14A-08	LOCKWASHER	6			
					63	14C-08	FLATWASHER	4			
					64	*51525	MOUNTING BRACKET	1			
					65	*50A-0508	BOLT	2	710 THRU 730A		
					66	*14A-05	LOCKWASHER	2			
					67	*350A-1025	BOLT	2			
					68	*14A-07	LOCKWASHER	2			

CHAMPION ROAD MACHINERY

SEPTEMBER 1990

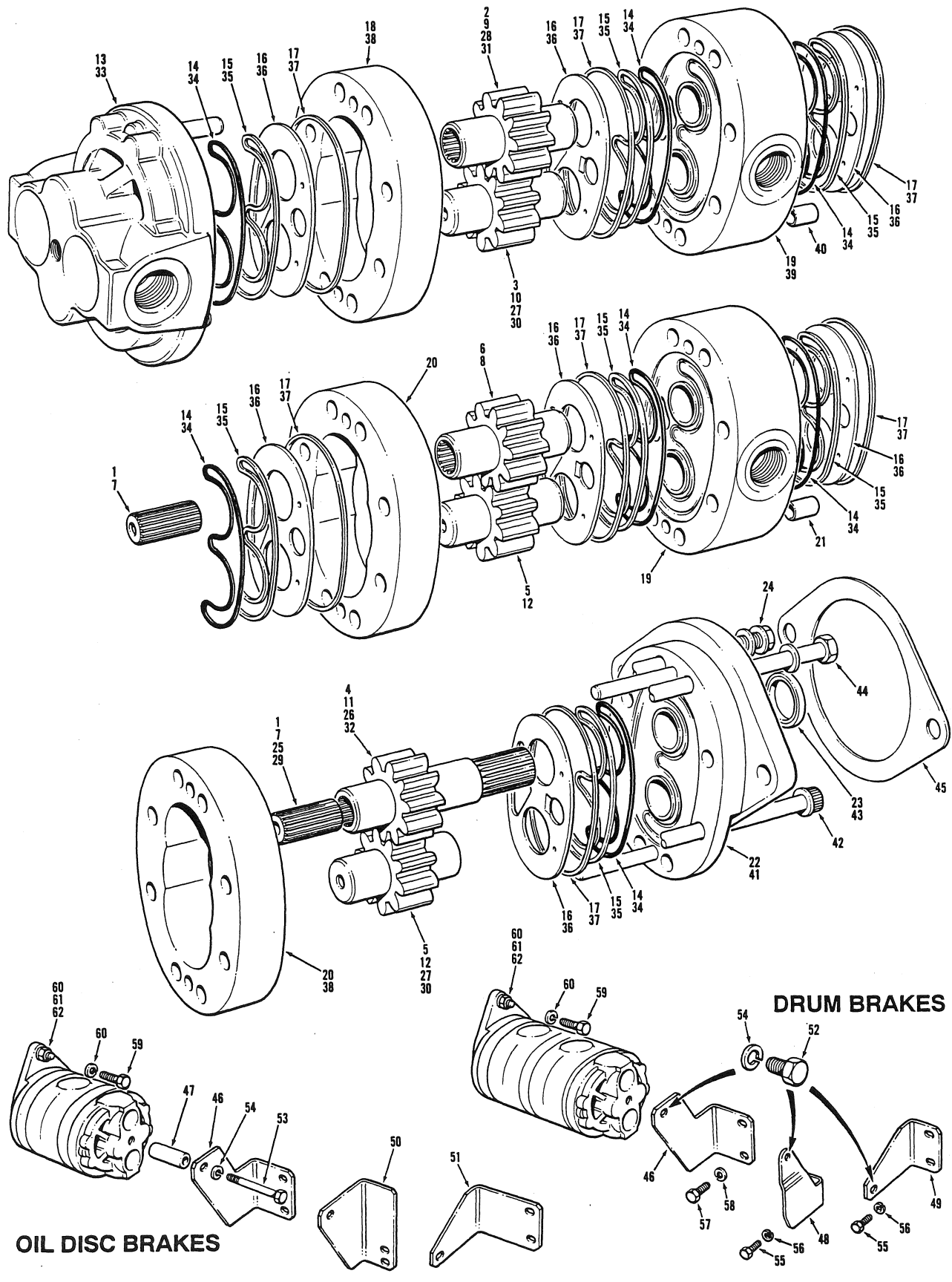
PARA LA LISTA DE LAS PIEZAS - VER AL VERSO

HYDRAULIC PUMP - MAIN

POUR LA LISTE DES PIÈCES - VOIR AU VERSO

FOR LIST OF PARTS - TURN THIS PAGE

8 REVISION A



ISSUE No.
N° D'ÉMISSION
N° DE EDICIÓN

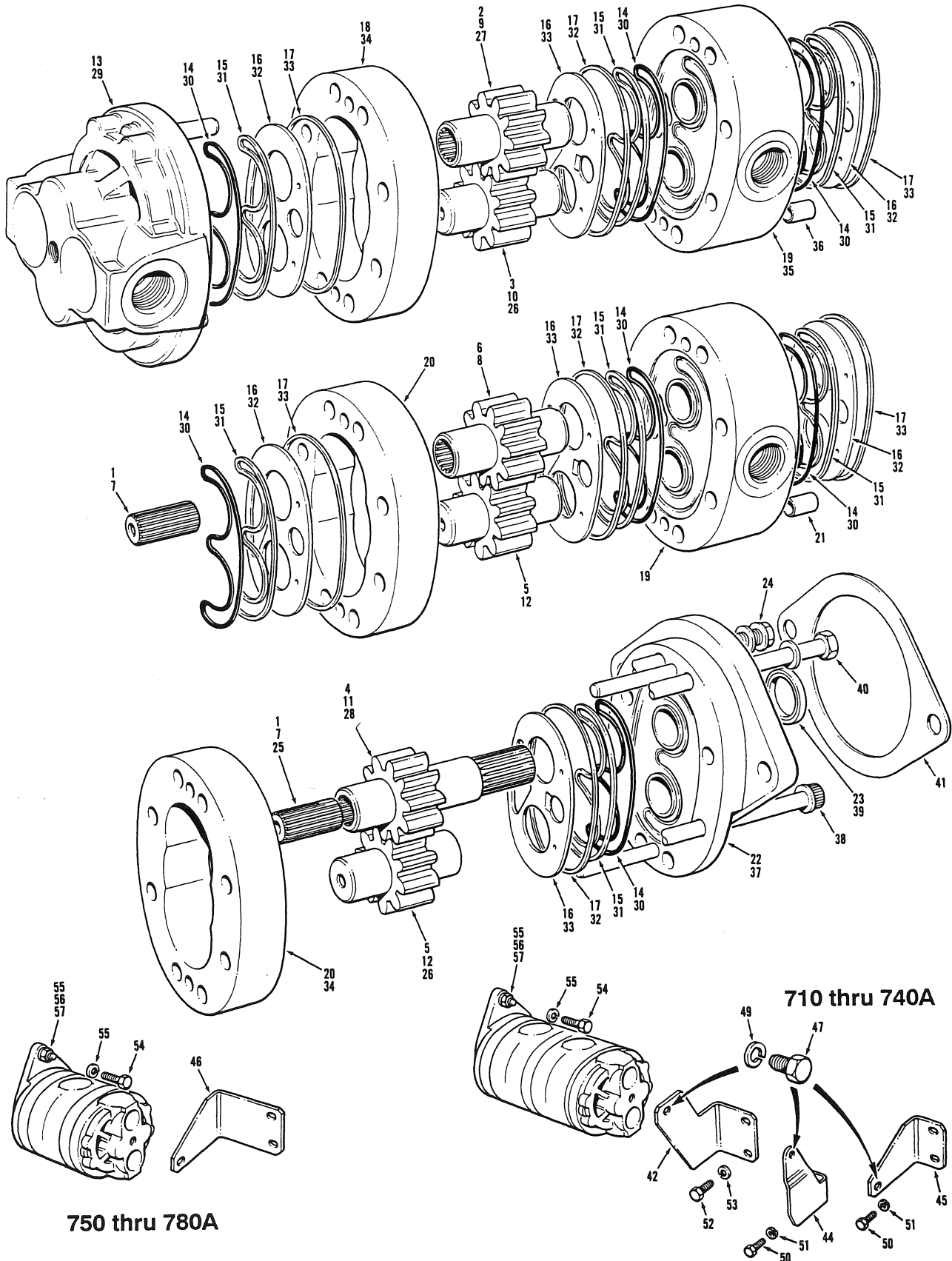
EFFECTIVE SERIAL NUMBER(S) 20805, 20806, 20808 & UP
 NUMERO(S) DE SÉRIE EFFECTIF(S)
 NUMERO(S) DE SERIE EFECTIVO(S)

700 SERIES
 SERIE 700

SECTION 4 PAGE 1
 SECCION 4 PAGINA 1

SECTION 4		PAGE 2		ISSUE No. N° D'ÉMISSION 8 REVISION A		HYDRAULIC PUMP - MAIN		SEPTEMBER 1990	
No. N° N°	PART No. N° DE PIÈCE N° DE PIEZA	DESCRIPTION DESCRIPTION DESCRIPCION	No. REQ. N° REQ. N° REQ.	REMARKS REMARQUES NOTAS	No. N° N°	PART No. N° DE PIÈCE N° DE PIEZA	DESCRIPTION DESCRIPTION DESCRIPCION	No. REQ. N° REQ. N° REQ.	REMARKS REMARQUES NOTAS
		GRADERS WITH DRUM BRAKES		(3 SECTIONS)			GRADERS WITH OIL DISC BRAKES		(2 SECTIONS)
	54741	HYDRAULIC PUMP ASSEMBLY - INCLUDES ITEMS 1 TO 6 & 13 TO 24	1	710 thru 730A		56019	HYDRAULIC PUMP ASSEMBLY - INCLUDES ITEMS 25 TO 28 & 33 TO 44	1	710 thru 730A
1	38948	COUPLING	2		25	38948	COUPLING	1	
2	*58249	SLIP GEAR	1		26	58251	DRIVESHAFT	1	
3	*58250	IDLER GEAR	1		27	58252	IDLER GEAR	2	
4	58251	DRIVESHAFT	1		28	58253	SLIP GEAR	1	
5	58252	IDLER GEAR	2						
6	58253	SLIP GEAR	1			56018	HYDRAULIC PUMP ASSEMBLY - INCLUDES ITEMS 29 TO 44	1	740 thru 780A
	54740	HYDRAULIC PUMP ASSEMBLY - INCLUDES ITEMS 7 TO 24	1	740/740A	29	38948	COUPLING	1	
7	38948	COUPLING	2		30	58247	IDLER GEAR	2	
8	*58248	SLIP GEAR	1		31	58248	SLIP GEAR	1	
9	*58249	SLIP GEAR	1		32	58262	DRIVESHAFT	1	
10	*58250	IDLER GEAR	1						
11	58246	DRIVESHAFT	1			58263	REPAIR KIT FOR 56019 OR 56018 PUMP - INCLUDES ITEMS 34 TO 37, 40 & 43	1	
12	58247	IDLER GEAR	2						
	58264	REPAIR KIT FOR 54741 OR 54740 PUMP - INCLUDES ITEMS 14 TO 17, 21 & 23	1		33		COVER ASSEMBLY	1	
13		COVER ASSEMBLY	1		34		E RING	4	
14		E RING	6		35		E SEAL	4	
15		E SEAL	6		36		WEAR PLATE	4	
16		WEAR PLATE	6		37		SEAL RING	4	
17		SEAL RING	6		38		GEAR PLATE	2	NOT AVAILABLE SEPARATELY
18		GEAR PLATE	1		39		BEARING PLATE	1	
19		BEARING PLATE	2		40		TUBE	8	
20		GEAR PLATE	2		41		FRONT PLATE	1	
21		TUBE	8		42		BOLT	2	
22		FRONT PLATE	1		43		OIL SEAL	1	
23		OIL SEAL	1		44		BOLT	6	
24		STUD & NUT ASSEMBLY	8				MOUNTING HARDWARE		
					45	42794	GASKET	1	
					46	59141	MOUNTING BRACKET	1	710/710A
					47	56241	SPACER - OIL DISC BRAKES	1	
					48	54962	MOUNTING BRACKET - DRUM BRAKES	1	720 thru 730A
					49	54961	MOUNTING BRACKET - DRUM BRAKES	1	740/740A
					50	56242	MOUNTING BRACKET - OIL DISC BRAKES	1	720 thru 730A
					51	56243	MOUNTING BRACKET - OIL DISC BRAKES	1	740 thru 780A
					52	50A-0808	BOLT	1	
					53	50A-0830	BOLT - OIL DISC BRAKES	1	710/710A
					54	14A-08	LOCKWASHER	1	
					55	350A-10025	BOLT	2	720 thru 780A
					56	314A-10	LOCKWASHER	2	
					57	350A-12030	BOLT	2	710/710A
					58	314A-12	LOCKWASHER	2	
					59	350A-12040	BOLT	2	740 thru 780A
					60	314A-12	LOCKWASHER	2	
					61	354E-12075	STUD	2	710 thru 730A
					62	330A-12	NUT	2	

See
SECTION 4 PAGES 41/42 ISSUE 1
for
TRANSMISSION/STEERING
HYDRAULIC PUMP



750 thru 780A

710 thru 740A

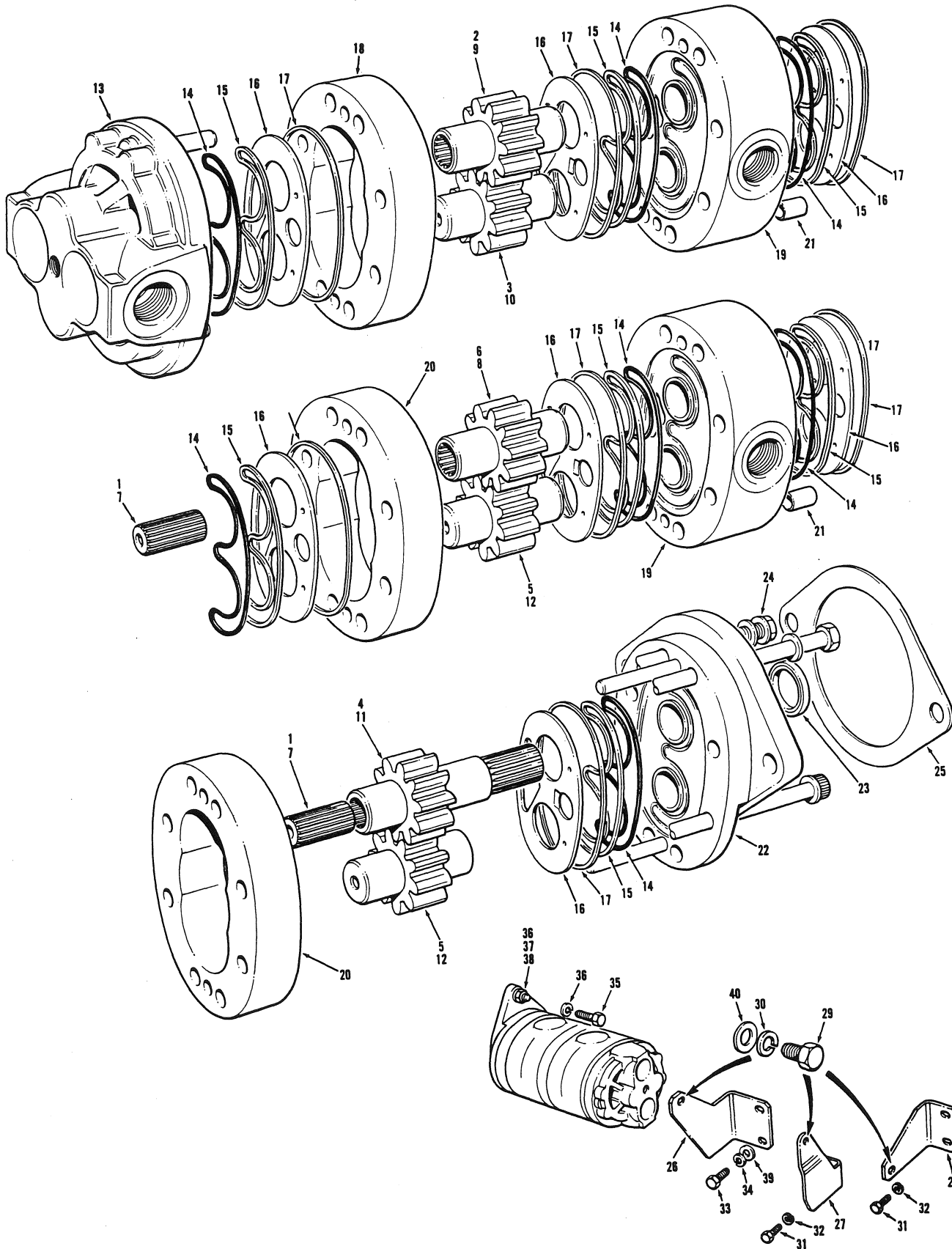
EFFECTIVE SERIAL NUMBER(S) 21134 to 21385
 NUMERO(S) DE SÉRIE EFFECTIF(S)
 NUMERO(S) DE SERIE EFECTIVO(S)

700 SERIES
 SERIE 700

SECTION 4 PAGE 1
 SECCION 4 PAGINA 1

No. N°	PART No. N° DE PIÈCE N° DE PIEZA	DESCRIPTION DÉSCRIPTION DESCRIPCION	No. REQ. N° REQ. N° REQ.	REMARKS REMARQUES NOTAS	No. N°	PART No. N° DE PIECE N° DE PIEZA	DESCRIPTION DÉSCRIPTION DESCRIPCION	No. REQ. N° REQ. N° REQ.	REMARKS REMARQUES NOTAS
	54741	HYDRAULIC PUMP ASSEMBLY - INCLUDES ITEMS 1 TO 6 & 13 TO 24	1	(3 SECTIONS) 710 thru 730A		56018	HYDRAULIC PUMP ASSEMBLY - INCLUDES ITEMS 25 TO 40	1	(2 SECTIONS) 750 thru 780A
1	38948	COUPLING	2		25	38948	COUPLING	1	
2	58249	SLIP GEAR	1		26	58247	IDLER GEAR	2	
3	58250	IDLER GEAR	1		27	58248	SLIP GEAR	1	
4	58251	DRIVESHAFT	1		28	58262	DRIVESHAFT	1	
5	58252	IDLER GEAR	2			58263	REPAIR KIT FOR 56019 OR 56018 PUMP - INCLUDES ITEMS 30 TO 33, 36 & 39	1	
6	58253	SLIP GEAR	1						
	54740	HYDRAULIC PUMP ASSEMBLY - INCLUDES ITEMS 7 TO 24	1	740/740A	29		COVER ASSEMBLY	1	
7	38948	COUPLING	2		30		E RING	4	
8	58248	SLIP GEAR	1		31		E SEAL	4	
9	58249	SLIP GEAR	1		32		WEAR PLATE	4	
10	58250	IDLER GEAR	1		33		SEAL RING	4	
11	58246	DRIVESHAFT	1		34		GEAR PLATE	2	} NOT AVAILABLE SEPARATELY
12	58247	IDLER GEAR	2		35		BEARING PLATE	1	
	58264	REPAIR KIT FOR 54741 OR 54740 PUMP - INCLUDES ITEMS 14 TO 17, 21 & 23	1		36		TUBE	8	
13		COVER ASSEMBLY	1		37		FRONT PLATE	1	
14		E RING	6		38		BOLT	2	
15		E SEAL	6		39		OIL SEAL	1	
16		WEAR PLATE	6		40		BOLT	6	
17		SEAL RING	6				<u>MOUNTING HARDWARE</u>		
18		GEAR PLATE	1	} NOT AVAILABLE SEPARATELY	41	42794	GASKET	1	
19		BEARING PLATE	2		42	59141	MOUNTING BRACKET	1	710/710A
20		GEAR PLATE	2		44	54962	MOUNTING BRACKET - DRUM BRAKES	1	720 thru 730A
21		TUBE	8		45	54961	MOUNTING BRACKET - DRUM BRAKES	1	740/740A
22		FRONT PLATE	1		46	56243	MOUNTING BRACKET - OIL DISC BRAKES	1	750 thru 780A
23		OIL SEAL	1		47	50A-0808	BOLT	1	
24		STUD & NUT ASSEMBLY	8	49	14A-08	LOCKWASHER	1		
				50	350A-10025	BOLT	2	720 thru 780A	
				51	314A-10	LOCKWASHER	2		
				52	350A-12030	BOLT	2	710/710A	
				53	314A-12	LOCKWASHER	2		
				54	350A-12040	BOLT	2	750 thru 780A	
				55	314A-12	LOCKWASHER	2		
				56	354E-12075	STUD	2	710 thru 730A	
				57	330A-12	NUT	2		

See
SECTION 4 PAGES 41/42 ISSUE 1
for
TRANSMISSION/STEERING
HYDRAULIC PUMP



MAY 1991

HYDRAULIC PUMP - MAIN

PARA LA LISTA DE LAS PIEZAS - VER AL VERSO

POUR LA LISTE DES PIÈCES - VOIR AU VERSO

FOR LIST OF PARTS - TURN THIS PAGE

10 REVISION A

ISSUE No.
N° D'ÉMISSION
N° DE EDICIÓN

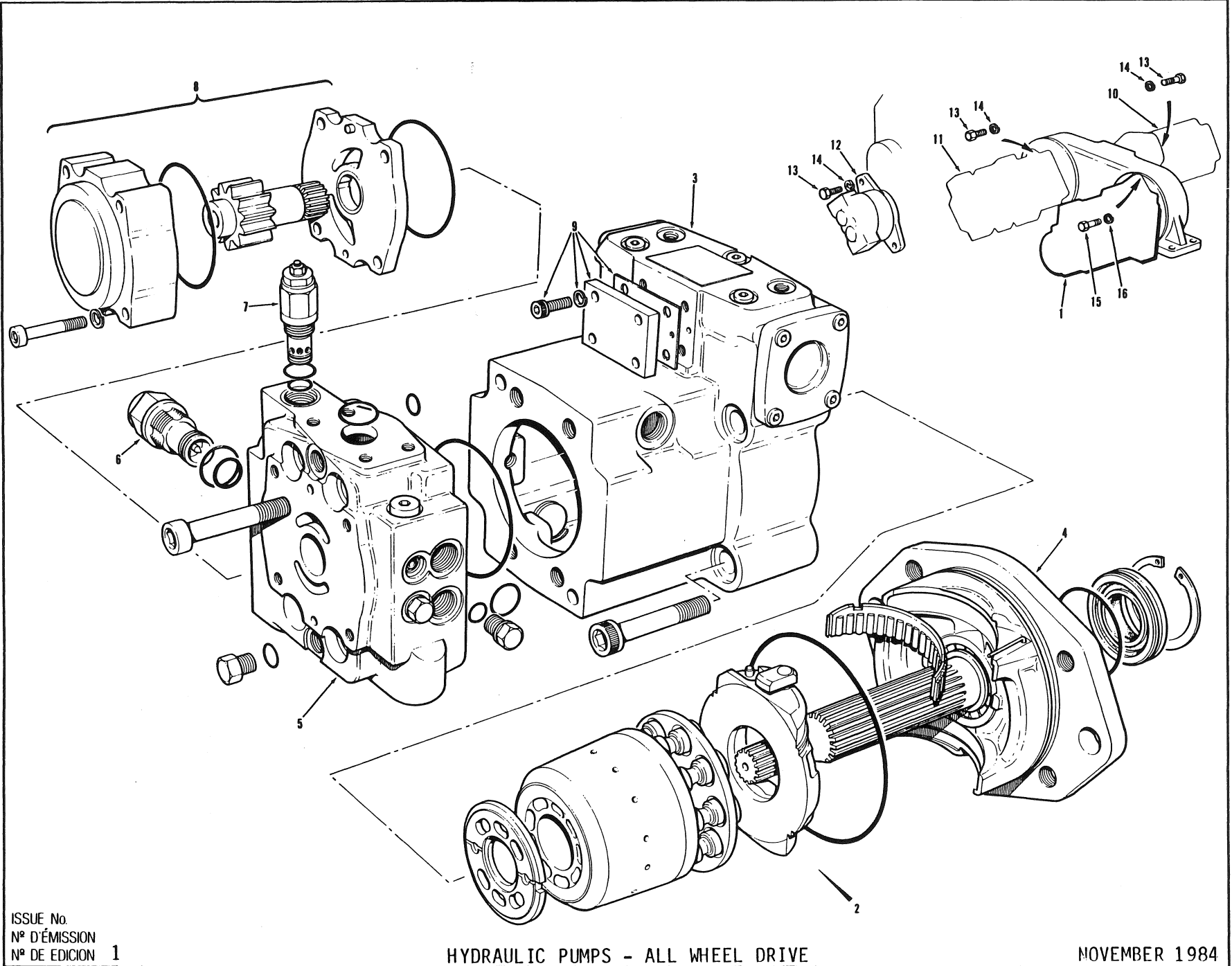
EFFECTIVE SERIAL NUMBER(S) 21386 & UP
 NUMERO(S) DE SÉRIE EFFECTIF(S)
 NUMERO(S) DE SERIE EFECTIVO(S)

700 SERIES
 SERIE 700

SECTION 4 PAGE 1
 SECCION 4 PAGINA 1

No. N° N°	PART No. N° DE PIÈCE N° DE PIEZA	DESCRIPTION DÉSCRIPTION DESCRIPCION	No. REQ. N° REQ. N° REQ.	REMARKS REMARQUES NOTAS	No. N° N°	PART No. N° DE PIECE N° DE PIEZA	DESCRIPTION DÉSCRIPTION DESCRIPCION	No. REQ. N° REQ. N° REQ.	REMARKS REMARQUES NOTAS
	54741	HYDRAULIC PUMP ASSEMBLY - INCLUDES ITEMS 1 to 6 & 13 to 24	1	710 thru 730A	25	42794	GASKET	1	
1	38948	COUPLING	2		26	*54963	MOUNTING BRACKET	1	710/710A
2	58249	SLIP GEAR	1		27	54962	MOUNTING BRACKET	1	720 thru 730A
3	58250	IDLER GEAR	1		28	54961	MOUNTING BRACKET	1	740 thru 780A
4	58251	DRIVESHAFT	1		29	50A-0808	BOLT	1	
5	58252	IDLER GEAR	2		30	14A-08	LOCKWASHER	1	
6	58253	SLIP GEAR	1		31	350A-10025	BOLT	2	720 thru 780A
	54740	HYDRAULIC PUMP ASSEMBLY - INCLUDES ITEMS 7 to 24	1	740 thru 780A	32	314A-10	LOCKWASHER	2	
7	38948	COUPLING	2		33	350A-12030	BOLT	2	710/710A
8	58248	SLIP GEAR	1		34	314A-12	LOCKWASHER	2	
9	58249	SLIP GEAR	1		35	350A-12040	BOLT	2	740 thru 780A
10	58250	IDLER GEAR	1		36	314A-12	LOCKWASHER	2	
11	58246	DRIVESHAFT	1		37	354E-12075	STUD	2	710 thru 730A
12	58247	IDLER GEAR	2		38	330A-12	NUT	2	
	58264	REPAIR KIT FOR 54741 OR 54740 PUMP - INCLUDES ITEMS 14 to 17, 21 & 23	1		39	*314C-12	FLATWASHER	2	
13		COVER ASSEMBLY	1		40	*14C-08	FLATWASHER	1	
14		E-RING	6						
15		E-SEAL	6						
16		WEAR PLATE	6						
17		SEAL RING	6						
18		GEAR PLATE	1	NOT AVAILABLE					
19		BEARING PLATE	2	SEPARATELY					
20		GEAR PLATE	2						
21		TUBE	8						
22		FRONT PLATE	1						
23		OIL SEAL	1						
24		STUD & NUT ASSEMBLY	8						

See
SECTION 4 PAGES 41/42 ISSUE 1
for
TRANSMISSION/STEERING
HYDRAULIC PUMP



EFFECTIVE SERIAL NUMBER(S) 16224,16245 & UP
 NUMEROS(S) DE SERIE EFFECTIFS(S)
 NUMEROS(S) DE SERIE EFFECTIVOIS(S)
 U.S. 2021-2 & UP

700 SERIES
 SERIE 700

SECTION 4 PAGE 3
 SECCION 4 PAGINA 3

ISSUE No. 1
 N° D'ÉMISSION
 N° DE EDICION 1

HYDRAULIC PUMPS - ALL WHEEL DRIVE

NOVEMBER 1984

FOR LIST OF PARTS - TURN THIS PAGE

POUR LA LISTE DES PIÈCES - VOIR AU VERSO

PARA LA LISTA DE LAS PIEZAS - VER AL VERSO

USE ONLY CHAMPION ROAD MACHINERY APPROVED PARTS

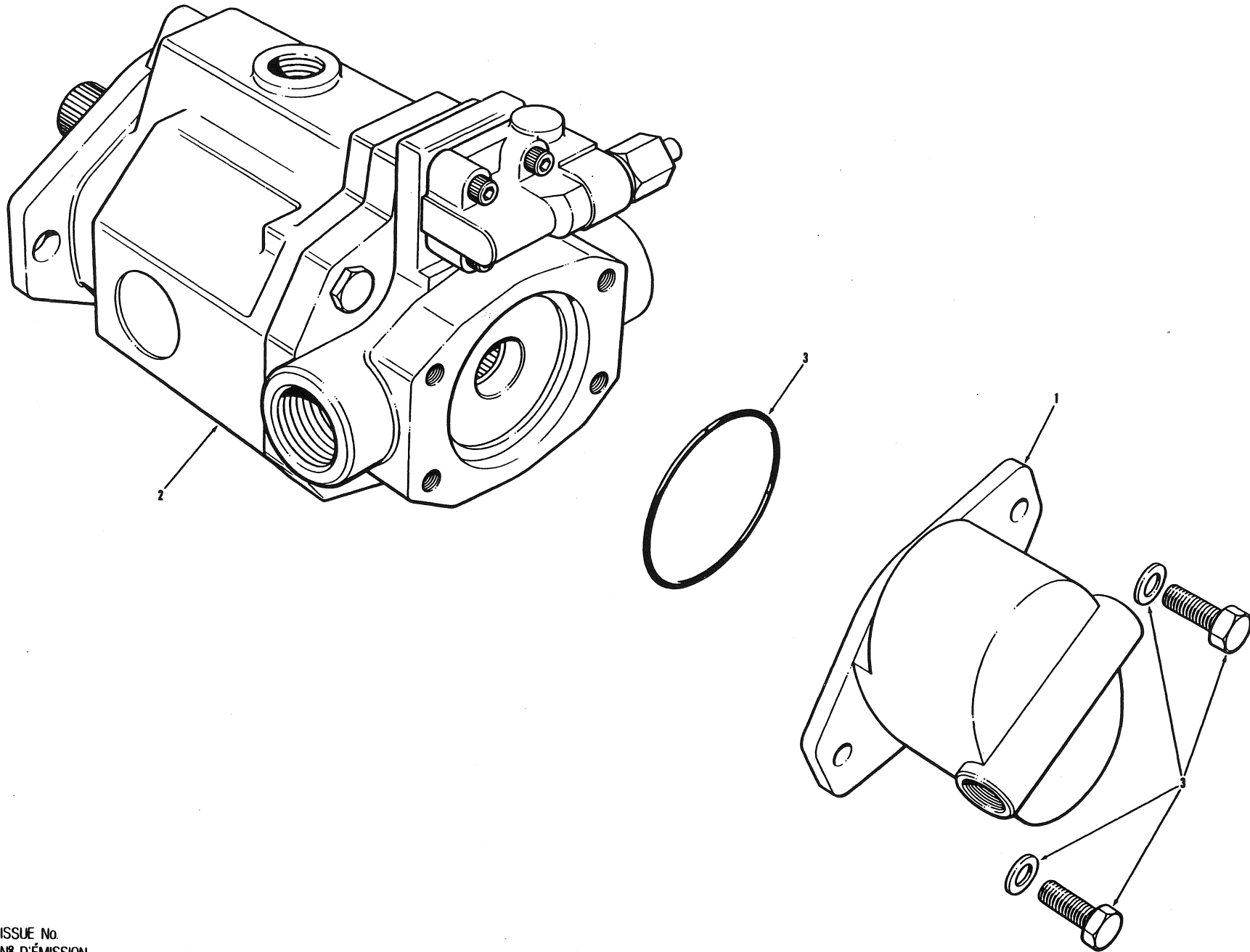
SECTION SECCION 4		PAGE PAGINA 4		ISSUE No. N° D'ÉMISSION 1 N° DE EDICION		HYDRAULIC PUMPS - ALL WHEEL DRIVE			NOVEMBER 1984	
No. N° N°	PART No. N° DE PIÈCE N° DE PIEZA	DESCRIPTION DESCRIPTION DESCRIPCION	No. REQ. N° REQ. N° REQ.	REMARKS REMARQUES NOTAS	No. N° N°	PART No. N° DE PIECE N° DE PIEZA	DESCRIPTION DESCRIPTION DESCRIPCION	No. REQ. N° REQ. N° REQ.	REMARKS REMARQUES NOTAS	
1	30670	HYDRAULIC PUMP ASSY. - ALL WHEEL DRIVE - INCLUDES ITEMS 2 TO 9	1							
2	30832	ROTARY GROUP - INCLUDES PISTONS, BEARINGS, SHAFTS, SWASH PLATE, CONTROL PLATE & BARREL	1							
3	30834	HOUSING - C/W CONTROL PISTON ASSY.	1							
4	30835	FRONT FLANGE	1							
5	30836	REAR PORT BLOCK - C/W CHECK VALVES	1							
6	30837	RELIEF VALVE - MAIN PRESSURE	2							
7	30838	RELIEF VALVE - CHARGE PRESSURE	1							
8	30839	CHARGE PUMP	1							
9	30840	COVER PLATE - C/W GASKET & HARDWARE	1							
	30841	SEAL KIT FOR 30670 HYDRAULIC PUMP	A.R.							
10	30634	HYDRAULIC PUMP ASSY. - TRANSMISSION	1	720 THRU 730A						
	30833	REPAIR KIT FOR 30634 HYDRAULIC PUMP	A.R.							
11	34944	HYDRAULIC PUMP ASSY. - PRIMARY HYDRAULICS & STEERING	REF.	SECTION 4 PAGES 1/2						
12	36574	HYDRAULIC PUMP ASSY. - TRANSMISSION	REF.	SECTION 4 PAGES 1/2						
13	50A-0810	BOLT	4							
14	14A-08	LOCKWASHER	6							
15	50A-1010	BOLT	2							
16	14A-10	LOCKWASHER	2							
17	350A-12075	BOLT	2							

EFFECTIVE SERIAL NUMBER(S)
NUMEROS(S) DE SERIE EFFECTIFS(S)
NUMEROS(S) DE SERIE EFECTIVOS(S)

16860 to 20032

700 SERIES
SERIE 700

SECTION 4 PAGE
SECCION 4 PAGINA 3



ISSUE No.
N° D'ÉMISSION
N° DE EDICION

2 REVISION B

HYDRAULIC PUMP ASSEMBLY - ALL WHEEL DRIVE

JANUARY 1991

FOR LIST OF PARTS - TURN THIS PAGE

POUR LA LISTE DES PIÈCES - VOIR AU VERSO

PARA LA LISTA DE LAS PIEZAS - VER AL VERSO

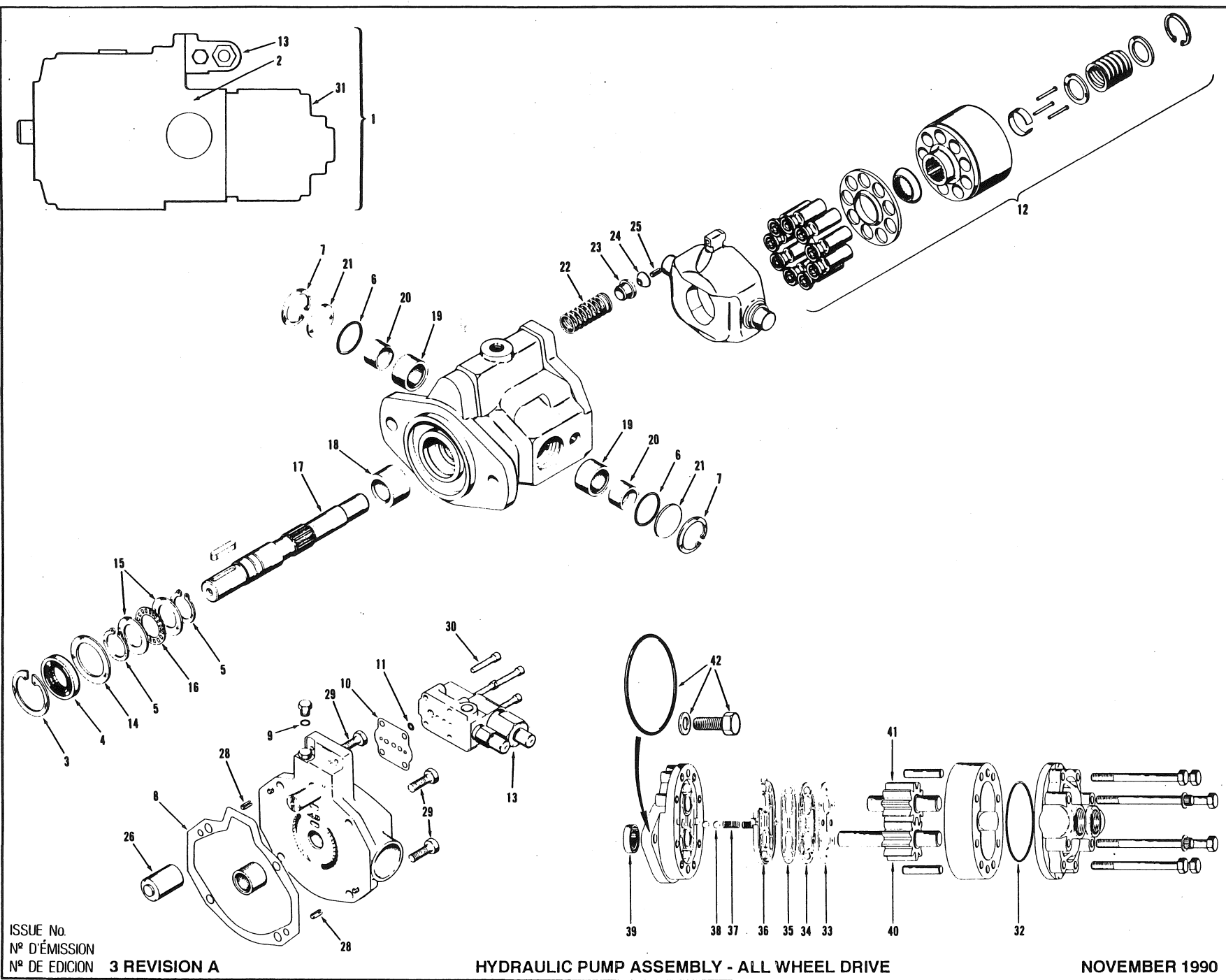
No. N° N°	PART No. N° DE PIÈCE N° DE PIEZA	DESCRIPTION DÉSCRIPTION DESCRIPCION	No. REQ. N° REQ. N° REQ.	REMARKS REMARQUES NOTAS	No. N° N°	PART No. N° DE PIECE N° DE PIEZA	DESCRIPTION DÉSCRIPTION DESCRIPCION	No. REQ. N° REQ. N° REQ.	REMARKS REMARQUES NOTAS
	44896	PUMP ASSEMBLY - ALL WHEEL DRIVE - INCLUDES ITEMS 1 TO 3	1						
1	44044	GEAR PUMP	1						
	50222	SEAL KIT FOR 44044 - GEAR PUMP	1						
2	*39314	PUMP C/W COMPENSATOR	1						
	*53486	REPAIR KIT FOR 39314 - PUMP	1						
3	44045	PUMP MOUNT KIT	1						

EFFECTIVE SERIAL NUMBERS)
 NUMEROS) DE SERIE EFFECTIFS)
 NUMEROS) DE SERIE EFFECTIVOS)

20033 & UP

700 SERIES
 SERIE 700

SECTION 4 PAGE 3
 SECCION 4 PAGINA 3



ISSUE No.
 N° D'ÉMISSION
 N° DE EDICION 3 REVISION A

HYDRAULIC PUMP ASSEMBLY - ALL WHEEL DRIVE

NOVEMBER 1990

FOR LIST OF PARTS - TURN THIS PAGE

POUR LA LISTE DES PIÈCES - VOIR AU VERSO

PARA LA LISTA DE LAS PIEZAS - VER AL VERSO

USE ONLY CHAMPION ROAD MACHINERY APPROVED PARTS

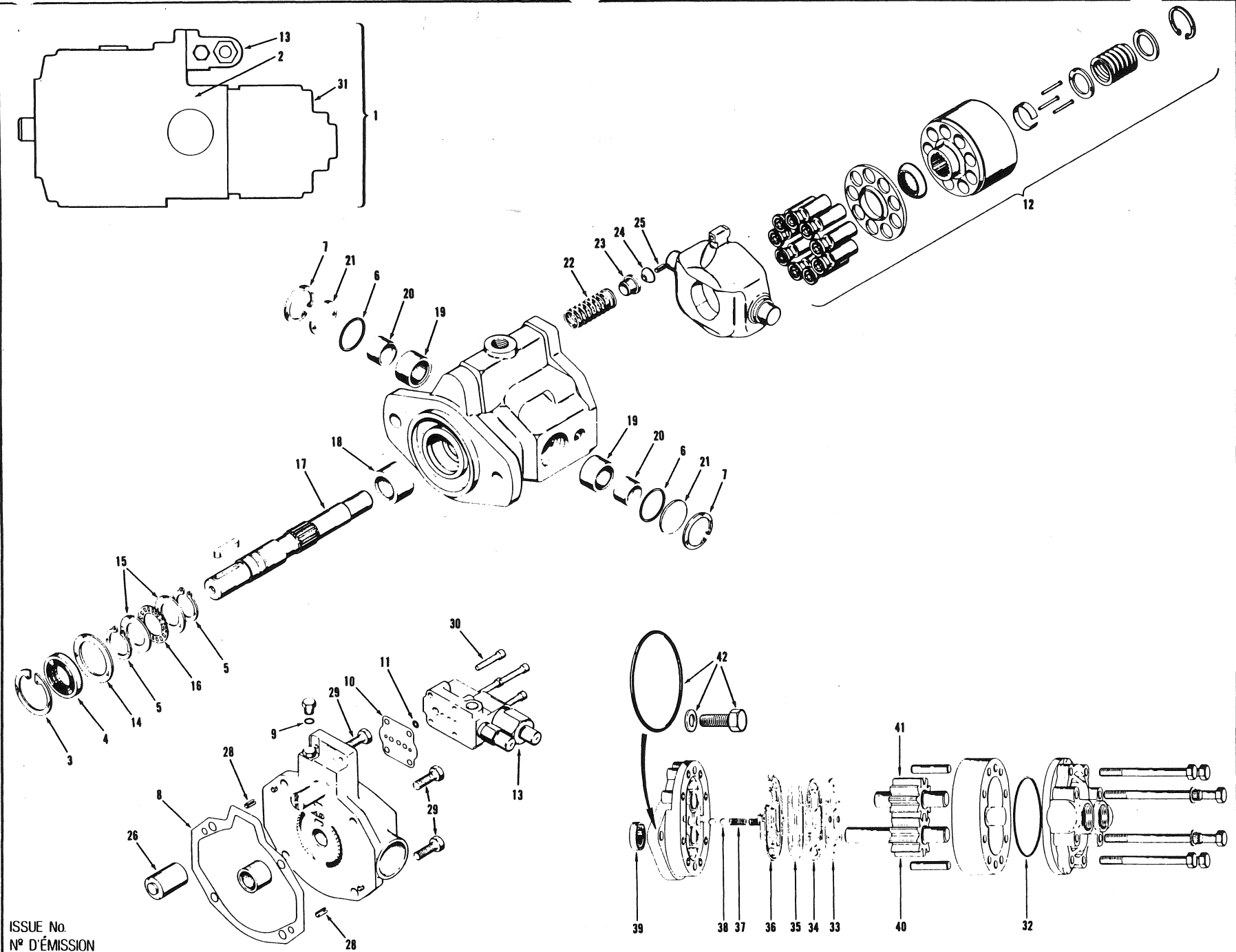
SECTION SECCION		PAGE PAGINA	ISSUE No. N° D'ÉMISSION N° DE EDICION	3 REVISION A		HYDRAULIC PUMP ASSEMBLY - ALL WHEEL DRIVE			NOVEMBER 1990		
No. N° N°	PART No. N° DE PIÈCE N° DE PIEZA	DESCRIPTION DESCRIPTION DESCRIPCION		No. REQ. N° REQ. N° REQ.	REMARKS REMARQUES NOTAS	No. N° N°	PART No. N° DE PIÈCE N° DE PIEZA	DESCRIPTION DESCRIPTION DESCRIPCION		No. REQ. N° REQ. N° REQ.	REMARKS REMARQUES NOTAS
1	56125	HYDRAULIC PUMP				31	44044	GEAR PUMP			
2	* 39314	PISTON PUMP		1			50222	REPAIR KIT FOR 44044 - GEAR PUMP		1 per	
	53486	SEAL KIT FOR 39314 - PISTON PUMP - INCLUDES ITEMS 3 TO 11		1 per				- INCLUDES ITEMS 32 TO 39			
3		RETAINING RING		1		32		O RING		1	
4		SEAL		1		33		DIAPHRAM		1	
5		RETAINING RING		2		34		BACK-UP GASKET		1	
6		O RING		2		35		GASKET		1	
7		RETAINING RING		2		36		SEAL		1	
8		GASKET		1		37		SPRING		2	
9		O RING		1		38		BALL		2	
10		GASKET		1		39		SEAL		1	
11		O RING		1		40	* 58317	DRIVE SHAFT		1	
12	* 58081	ROTATING KIT		1 per		41	* 58318	IDLER GEAR		1	
13	* 58080	COMPENSATOR		1		42	44045	PUMP MOUNT KIT		1 per	
14	* 58300	WASHER		1							
15	* 58301	THRUST WASHER		2							
16	* 58302	THRUST BEARING		1							
17	* 58303	DRIVE SHAFT		1							
18	* 58304	BEARING		1							
19	* 58305	BEARING		2							
20	* 58306	INNER RACE		2							
21	* 58307	COVER		2							
22	* 58308	SPRING		1							
23	* 58309	COVER		1							
24	* 58310	PIVOT BUTTON		1							
25	* 58312	PISTON		1							
27	* 58313	BEARING		1							
28	* 58314	ROLL PIN		2							
29	* 58315	BOLT		4							
30	* 58316	BOLT		4							

EFFECTIVE SERIAL NUMBERS)
 NUMEROS) DE SERIE EFFECTIFS)
 NUMEROS) DE SERIE EFFECTIVOS)

21775 & UP

700 SERIES
 SERIE 700

SECTION 4 PAGE 3
 SECCION 4 PAGINA 3



ISSUE No.
 N° D'ÉMISSION
 N° DE EDICION 4

HYDRAULIC PUMP ASSEMBLY - ALL WHEEL DRIVE

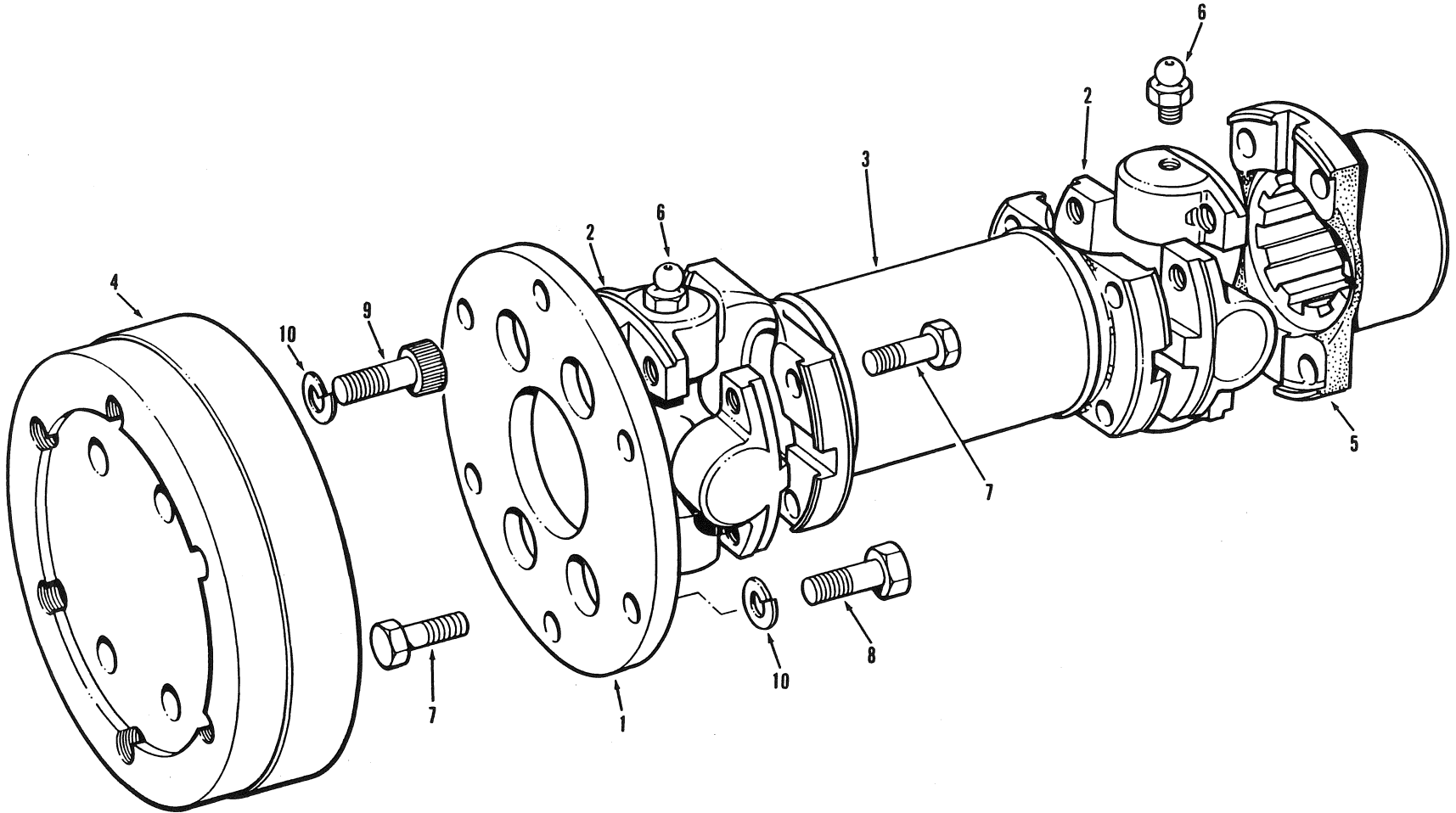
SEPTEMBER 1991

FOR LIST OF PARTS - TURN THIS PAGE

POUR LA LISTE DES PIÈCES - VOIR AU VERSO

PARA LA LISTA DE LAS PIEZAS - VER AL VERSO

SECTION SECCION		PAGE PAGINA		ISSUE No. N° D'ÉMISSION N° DE EDICION		HYDRAULIC PUMP ASSEMBLY - ALL WHEEL DRIVE			SEPTEMBER1991	
No. N° N°	PART No. N° DE PIÈCE N° DE PIEZA	DESCRIPTION DÉSCRIPTION DESCRIPCION	No. REQ. N° REQ. N° REQ.	REMARKS REMARQUES NOTAS	No. N° N°	PART No. N° DE PIECE N° DE PIEZA	DESCRIPTION DÉSCRIPTION DESCRIPCION	No. REQ. N° REQ. N° REQ.	REMARKS REMARQUES NOTAS	
1	*59584	HYDRAULIC PUMP			31	*63028	GEAR PUMP			
2	39314	PISTON PUMP	1			*63029	REPAIR KIT FOR 63028 - GEAR PUMP	1 per		
	53486	SEAL KIT FOR 39314 - PISTON PUMP - INCLUDES ITEMS 3 TO 11	1 per				- INCLUDES ITEMS 32 TO 39			
3		RETAINING RING	1		32		O RING	1		
4		SEAL	1		33		DIAPHRAM	1		
5		RETAINING RING	2		34		BACK-UP GASKET	1		
6		O RING	2		35		GASKET	1		
7		RETAINING RING	2		36		SEAL	1		
8		GASKET	1		37		SPRING	2		
9		O RING	1		38		BALL	2		
10		GASKET	1		39		SEAL	1		
11		O RING	1		40	*63030	DRIVE SHAFT	1		
12	58081	ROTATING KIT	1 per		41	*63031	IDLER GEAR	1		
13	58080	COMPENSATOR	1		42	44045	PUMP MOUNT KIT	1 per		
14	58300	WASHER	1							
15	58301	THRUST WASHER	2							
16	58302	THRUST BEARING	1							
17	58303	DRIVE SHAFT	1							
18	58304	BEARING	1							
19	58305	BEARING	2							
20	58306	INNER RACE	2							
21	58307	COVER	2							
22	58308	SPRING	1							
23	58309	COVER	1							
24	58310	PIVOT BUTTON	1							
25	58312	PISTON	1							
27	58313	BEARING	1							
28	58314	ROLL PIN	2							
29	58315	BOLT	4							
30	58316	BOLT	4							



USE ONLY  CHAMPION APPROVED PARTS

EFFECTIVE SERIAL NUMBERS) 16224,16245 & UP
NUMERO(S) DE SÉRIE EFFECTIF(S)
NUMERO(S) DE SERIE EFFETIVO(S)
U.S. 2021-2 & UP

700 SERIES
SERIE 700

SECTION 4 PAGE 5
SECCION 4 PAGINA 5

ISSUE No.
N° D'ÉMISSION
N° DE EDICION 1

PUMP DRIVESHAFT INSTALLATION - MODEL 710/710A

NOVEMBER 1984

FOR LIST OF PARTS - TURN THIS PAGE

POUR LA LISTE DES PIÈCES - VOIR AU VERSO

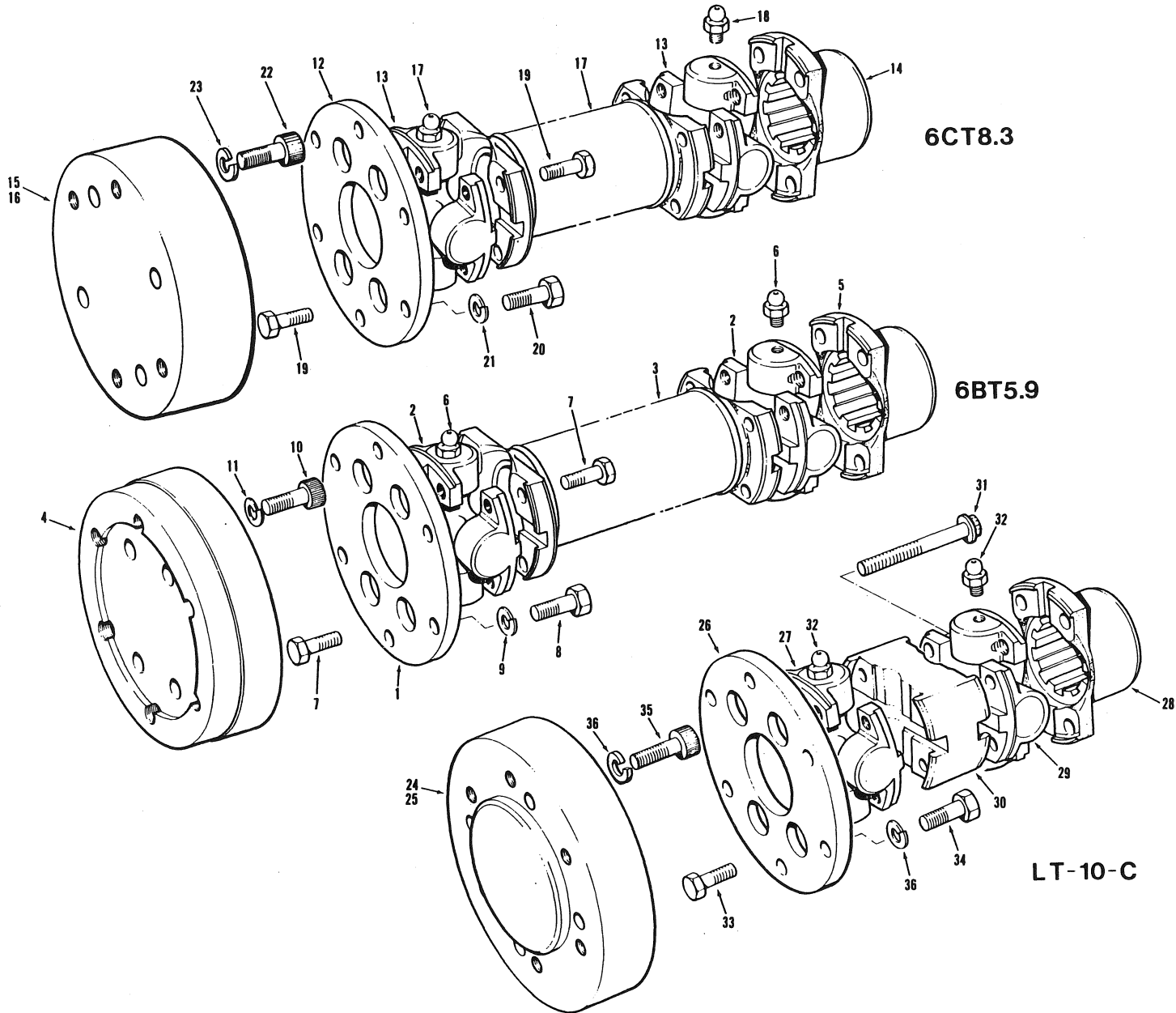
PARA LA LISTA DE LAS PIEZAS - VER AL VERSO

SECTION
SECCION 4PAGE
PAGINA 6ISSUE No.
N° D'ÉMISSION 1
N° DE EDICION

PUMP DRIVESHAFT INSTALLATION - MODEL 710/710A

NOVEMBER 1984

No. N° N°	PART No. N° DE PIÈCE N° DE PIEZA	DESCRIPTION DÉSCRIPTION DESCRIPCION	No. REQ. N° REQ. N° REQ.	REMARKS REMARQUES NOTAS	No. N° N°	PART No. N° DE PIECE N° DE PIEZA	DESCRIPTION DÉSCRIPTION DESCRIPCION	No. REQ. N° REQ. N° REQ.	REMARKS REMARQUES NOTAS
	40093	PUMP DRIVESHAFT - INCLUDES ITEMS 2, 3, 6 & 7	1						
1	32801	YOKE - FLANGED	1						
2	33961	SPIDER ASSY.	2						
3	40301	TUBE ASSY.	1						
4	40307	ADAPTER	1						
5	40314	YOKE - SPLINED	1						
6	29A-02	GREASE FITTING	2						
7	51A-0406	BOLT	16						
8	50A-0608	BOLT	6						
9	51D-0608	BOLT	4						
10	14A-06	LOCKWASHER	10						



6CT8.3

6BT5.9

LT-10-C

PUMP DRIVESHAFT INSTALLATION

ISSUE No.
N° D'ÉMISSION
N° DE EDICION

2 REVISION D

JANUARY 1991

FOR LIST OF PARTS - TURN THIS PAGE

POUR LA LISTE DES PIÈCES - VOIR AU VERSO

PARA LA LISTA DE LAS PIEZAS - VER AL VERSO

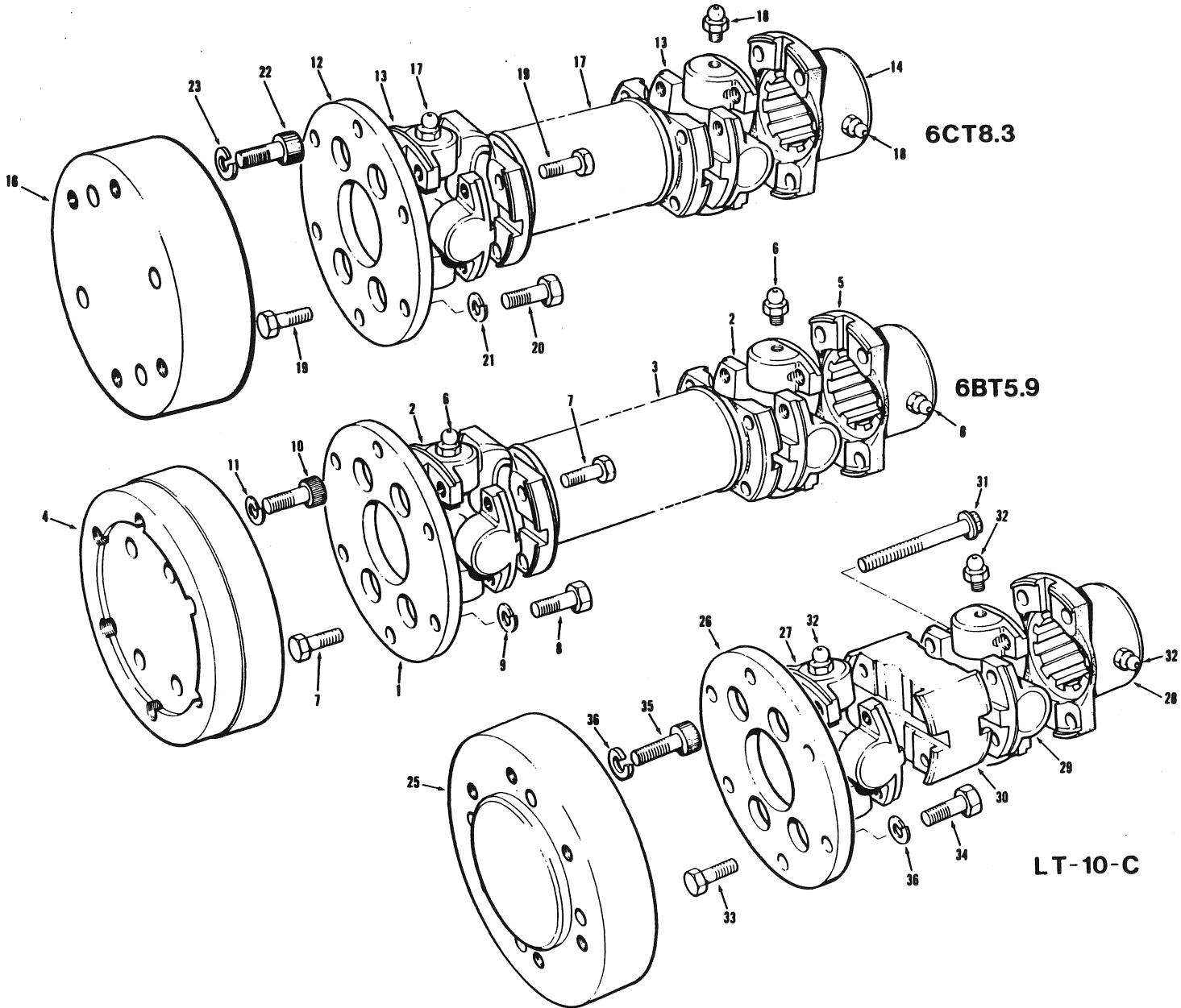
EFFECTIVE SERIAL NUMBER(S)
NUMEROS DE SERIE EFFECTIFS(S)
NUMEROS DE SERIE EFFECTIVOS(S)

16798 to 19981, 19983, 19986 to
19995, 19997 to 20004, 20006 to
20105, 20107 to 20119

700 SERIES
SERIE 700

SECTION 4 PAGE 5
SECCION 4 PAGINA 5

No. N° N°	PART No. N° DE PIÈCE N° DE PIEZA	DESCRIPTION DÉSCRIPTION DESCRIPCION	No. REQ. N° REQ. N° REQ.	REMARKS REMARQUES NOTAS	No. N° N°	PART No. N° DE PIECE N° DE PIEZA	DESCRIPTION DÉSCRIPTION DESCRIPCION	No. REQ. N° REQ. N° REQ.	REMARKS REMARQUES NOTAS
	40093	PUMP DRIVESHAFT - 710/710A WITH 6BT5.9 INCLUDES ITEMS 2, 3, 6 & 7							
1	32801	YOKE - FLANGED	1						
2	33961	SPIDER ASSY.	2						
3	40301	TUBE ASSY.	1						
4	40307	ADAPTER	1						
5	40314	YOKE - SPLINED	1						
6	29A-02	GREASE FITTING	2						
7	51A-0506	BOLT	16						
8	50A-0608	BOLT	6						
9	14A-06	LOCKWASHER	6						
10	50D-0710	BOLT	4						
11	14A-07	LOCKWASHER	4						
	41877	PUMP DRIVESHAFT - 720 THRU 730A WITH 6CT8.3 INCLUDES ITEMS 13, 17, 18 & 19							
12	32801	YOKE - FLANGED	1						
13	33961	SPIDER ASSY.	2						
14	40314	YOKE - SPLINED	1						
15	41880	ADAPTER	1	UP TO					
16	51306	ADAPTER	1	S/N 19585					
17	50208	TUBE	1	S/N 19586					
				& UP					
18	29A-02	GREASE FITTING	2						
19	51A-0506	BOLT	16						
20	50A-0610	BOLT	6						
21	14A-06	LOCKWASHER	4						
22	350D-1230	BOLT	4						
23	314A-12	LOCKWASHER	4						
	*41960	PUMP DRIVESHAFT - 740 THRU 780A WITH LT-10-C INCLUDES ITEMS 27, 29, 30, 32 & 33							
24	30409	ADAPTER	1	UP TO					
25	51226	ADAPTER	1	S/N 19650					
				S/N 19651					
				& UP					
26	32801	YOKE - FLANGED	1						
27	33961	SPIDER ASSY.	1						
28	40314	YOKE - SPLINED	1						
29	50209	SPIDER ASSY.	1						
30	50210	TUBE	1						
31	50211	BOLT	4						
32	29A-02	GREASE FITTING	2						
33	51A-0506	BOLT	8						
34	50A-610	BOLT	6						
35	51D-0608	BOLT	4						
36	14A-06	LOCKWASHER	6						



6CT8.3

6BT5.9

LT-10-C

ISSUE No.
N° D'ÉMISSION
N° DE EDICION

3 REVISION A

PUMP DRIVESHAFT INSTALLATION

JANUARY 1991

FOR LIST OF PARTS - TURN THIS PAGE

POUR LA LISTE DES PIÈCES - VOIR AU VERSO

PARA LA LISTA DE LAS PIEZAS - VER AL VERSO

USE ONLY  CHAMPION ROAD MACHINERY APPROVED PARTS

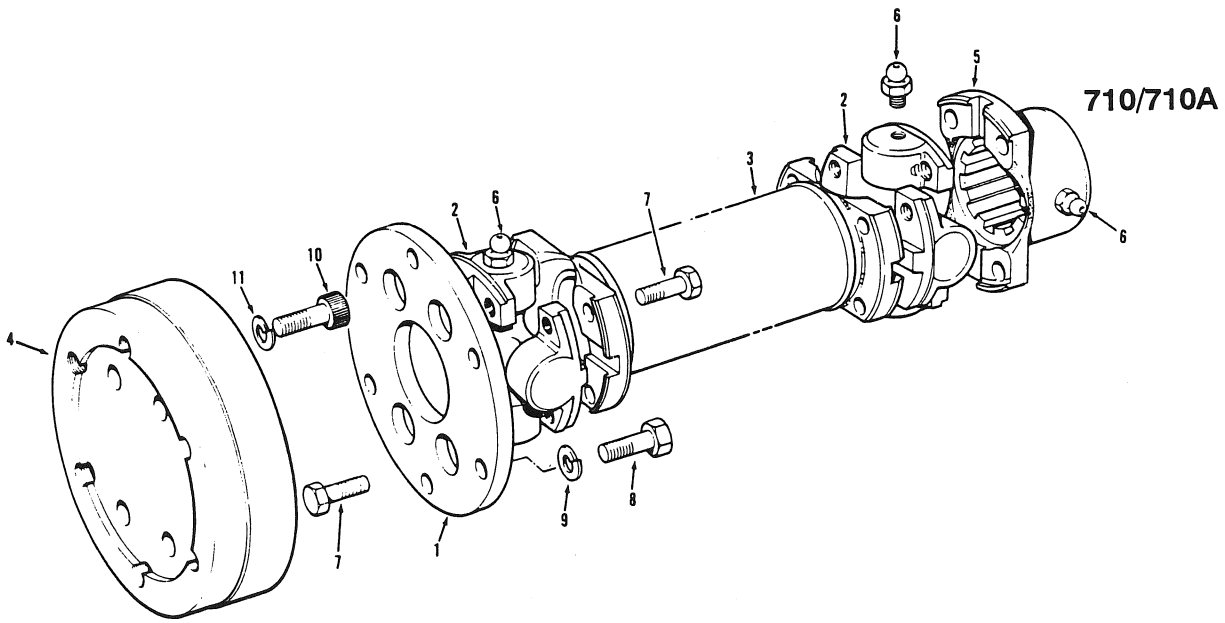
EFFECTIVE SERIAL NUMBERS (S)
NUMEROS (S) DE SERIE EFFECTIFS (S)
NUMEROS (S) DE SERIE EFFECTIVOS (S)

19982, 19984, 19985, 19996,
20005, 20104, 20106, 20120
to 20804 & 20807

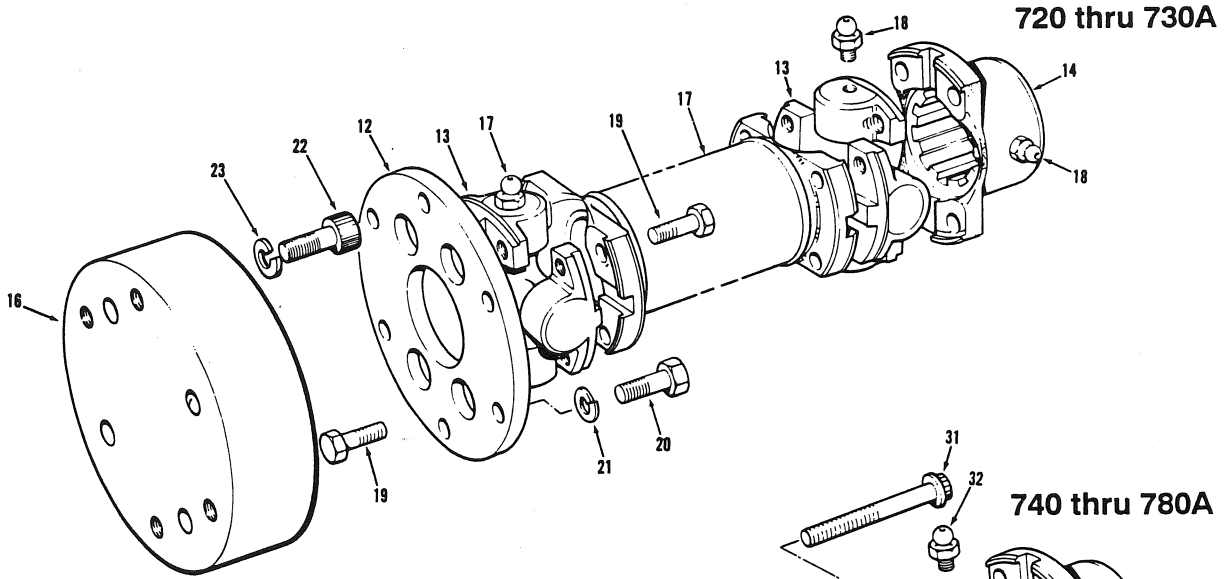
700 SERIES
SERIE 700

SECTION 4 PAGE
SECCION 4 PAGINA
5

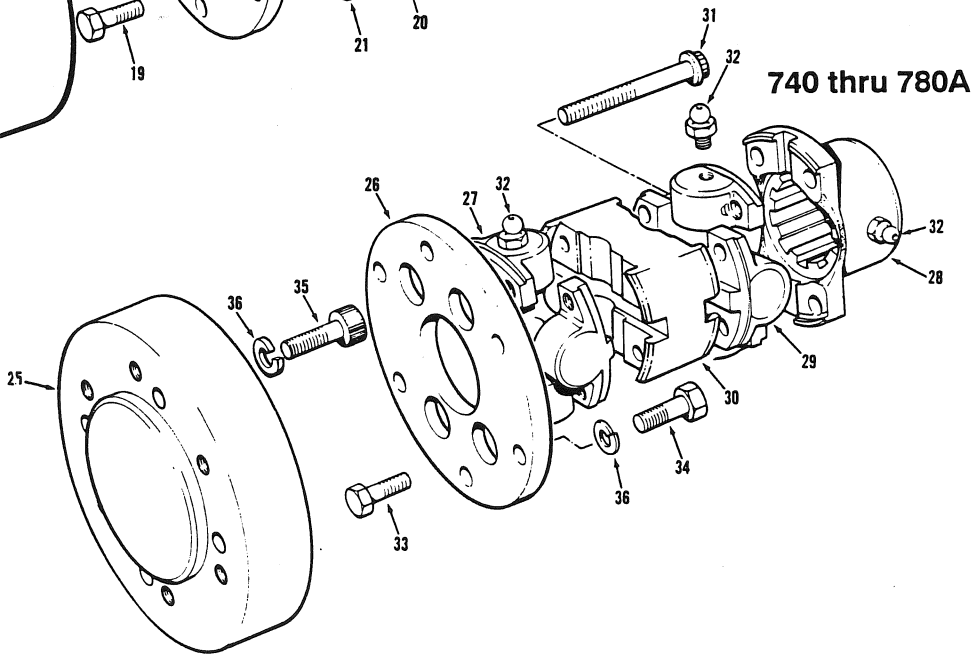
SECTION SECCION		PAGE PAGINA		ISSUE No. N° D'ÉMISSION N° DE EDICION		3 REVISION A		PUMP DRIVESHAFT INSTALLATION			JANUARY 1991	
No. N° N°	PART No. N° DE PIÉCE N° DE PIEZA	DESCRIPTION DESCRIPTION DESCRIPCION	No. REQ. N° REQ. N° REQ.	REMARKS REMARQUES NOTAS	No. N° N°	PART No. N° DE PIECE N° DE PIEZA	DESCRIPTION DESCRIPTION DESCRIPCION	No. REQ. N° REQ. N° REQ.	REMARKS REMARQUES NOTAS			
	40093	PUMP DRIVESHAFT - 710/710A WITH 6BT5.9 INCLUDES ITEMS 2, 3, 6 & 7										
1	32801	YOKE - FLANGED	1									
2	33961	SPIDER ASSEMBLY	2									
3	40301	TUBE ASSEMBLY	1									
4	40307	ADAPTER	1									
5	53764	YOKE - SPLINED	1									
6	29A-02	GREASE FITTING	3									
7	51A-0506	BOLT	16									
8	50A-0608	BOLT	6									
9	14A-06	LOCKWASHER	6									
10	50D-0710	BOLT	4									
11	14A-07	LOCKWASHER	4									
	41877	PUMP DRIVESHAFT - 720 THRU 730A WITH 6CT8.3 INCLUDES ITEMS 13, 17, 18 & 19										
12	32801	YOKE - FLANGED	1									
13	33961	SPIDER ASSEMBLY	2									
14	53764	YOKE - SPLINED	1									
16	51306	ADAPTER	1									
17	50208	TUBE	1									
18	29A-02	GREASE FITTING	3									
19	51A-0506	BOLT	16									
20	50A-0610	BOLT	6									
21	14A-06	LOCKWASHER	4									
22	350D-12030	BOLT	4									
23	314A-12	LOCKWASHER	4									
	*41960	PUMP DRIVESHAFT - 740 THRU 780A WITH LT-10-C INCLUDES ITEMS 27, 29, 30, 32 & 33										
25	51226	ADAPTER	1									
26	32801	YOKE - FLANGED	1									
27	33961	SPIDER ASSEMBLY	1									
28	53764	YOKE - SPLINED	1									
29	50209	SPIDER ASSEMBLY	1									
30	50210	TUBE	1									
31	50211	BOLT	4									
32	29A-02	GREASE FITTING	3									
33	51A-0506	BOLT	8									
34	50A-0608	BOLT	6									
35	51D-0608	BOLT	4									
36	14A-06	LOCKWASHER	6									



710/710A



720 thru 730A



740 thru 780A

JANUARY 1991

PUMP DRIVESHAFT INSTALLATION

4 REVISION A

PARA LA LISTA DE LAS PIEZAS - VER AL VERSO

POUR LA LISTE DES PIÈCES - VOIR AU VERSO

FOR LIST OF PARTS - TURN THIS PAGE

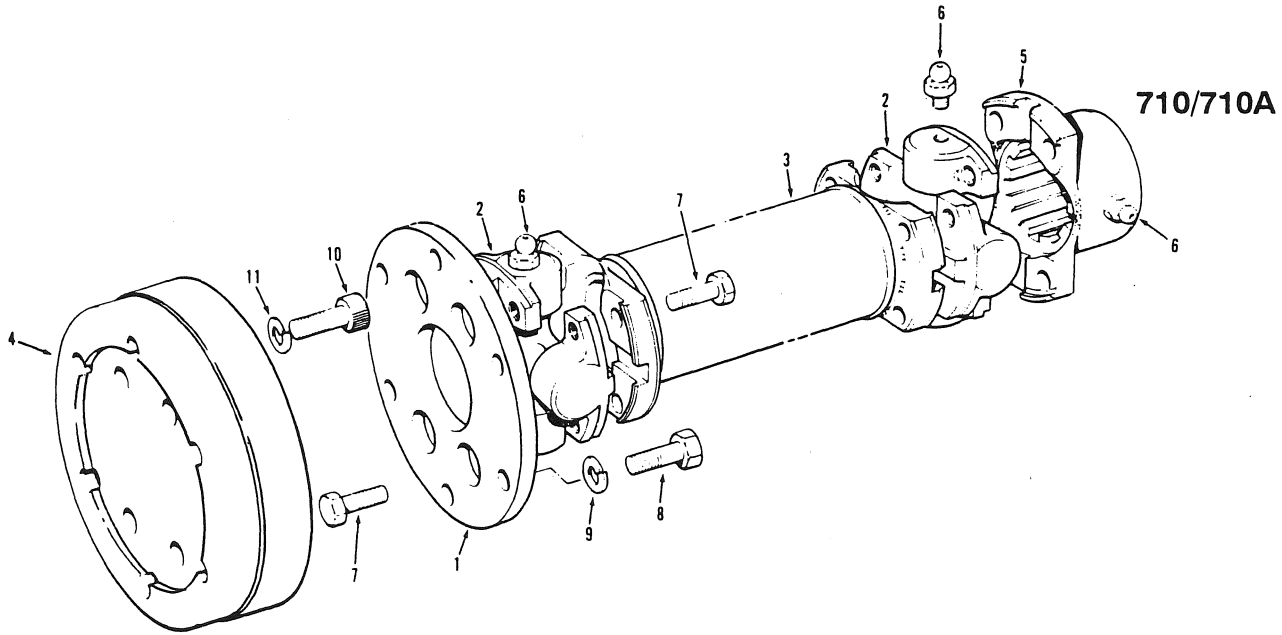
ISSUE No.
N° D'ÉMISSION
N° DE EDICIÓN

EFFECTIVE SERIAL NUMBER(S) 20805, 20806, 20808 & UP
 NUMERO(S) DE SÉRIE EFFECTIF(S)
 NUMERO(S) DE SERIE EFECTIVO(S)

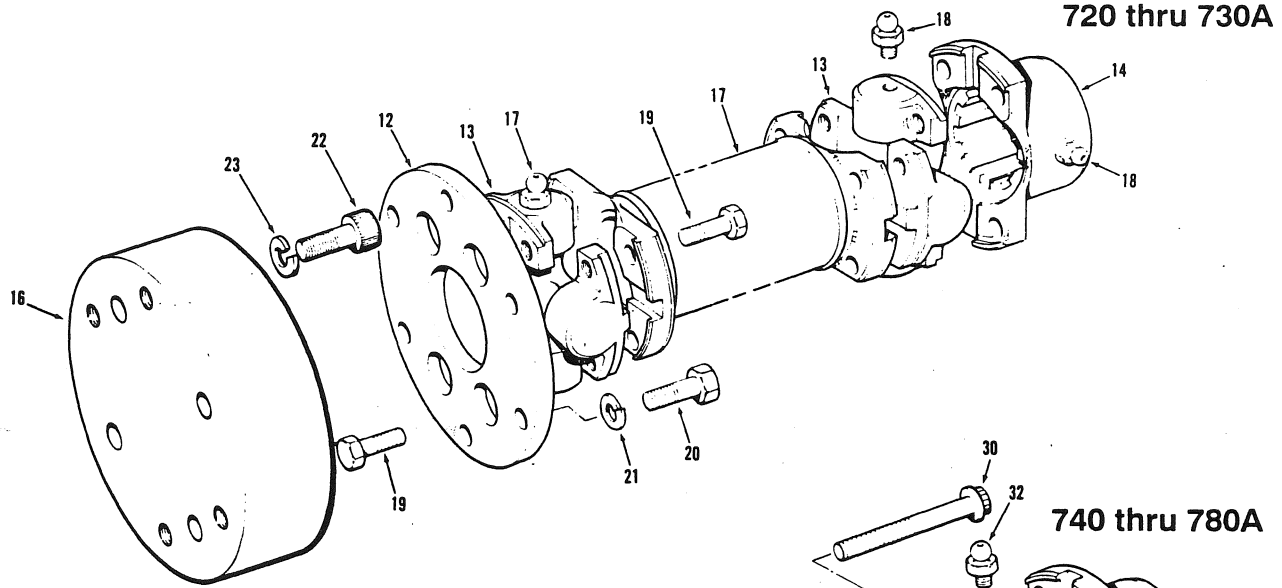
700 SERIES
 SERIE 700

SECTION 4 PAGE 5
 SECCION 4 PAGINA 5

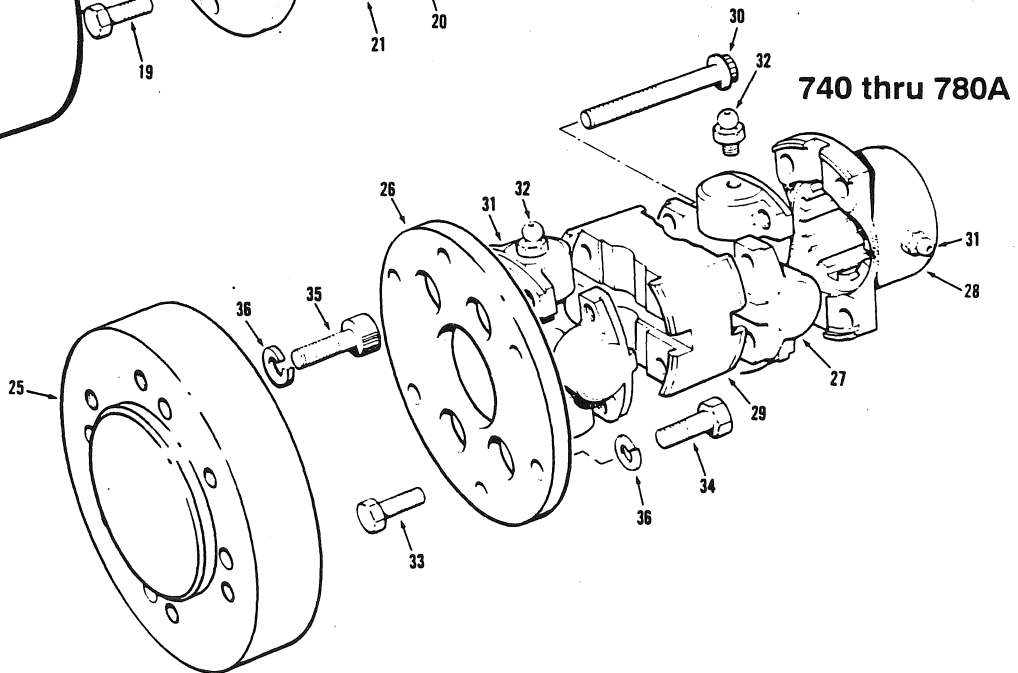
SECTION SECCION		PAGE PAGINA		ISSUE No. N° D'ÉMISSION N° DE EDICION		4 REVISION A		PUMP DRIVESHAFT INSTALLATION		JANUARY 1991	
No. N° N°	PART No. N° DE PIÈCE N° DE PIEZA	DESCRIPTION DESCRIPTION DESCRIPCION	No. REQ. N° REQ. N° REQ.	REMARKS REMARQUES NOTAS	No. N° N°	PART No. N° DE PIECE N° DE PIEZA	DESCRIPTION DESCRIPTION DESCRIPCION	No. REQ. N° REQ. N° REQ.	REMARKS REMARQUES NOTAS		
	40093	PUMP DRIVESHAFT - INCLUDES ITEMS 2, 3, 6 & 7		710/710A							
1	32801	YOKE - FLANGED	1								
2	33961	SPIDER ASSEMBLY	2								
3	40301	TUBE ASSEMBLY	1								
4	40307	ADAPTER	1								
5	53764	YOKE - SPLINED	1								
6	29A-02	GREASE FITTING	3								
7	51A-0506	BOLT	16								
8	50A-0608	BOLT	6								
9	14A-06	LOCKWASHER	6								
10	50D-0710	BOLT	4								
11	14A-07	LOCKWASHER	4								
	41877	PUMP DRIVESHAFT - INCLUDES ITEMS 13, 17, 18 & 19		720 thru 730A							
12	32801	YOKE - FLANGED	1								
13	33961	SPIDER ASSEMBLY	2								
14	53764	YOKE - SPLINED	1								
16	41880	ADAPTER	1								
17	50208	TUBE	1								
18	29A-02	GREASE FITTING	3								
19	51A-0506	BOLT	16								
20	50A-0608	BOLT	6								
21	14A-06	LOCKWASHER	4								
22	350D-12030	BOLT	4								
23	314A-12	LOCKWASHER	4								
	*41960	PUMP DRIVESHAFT - INCLUDES ITEMS 27, 29, 30, 32 & 33		740 thru 780A							
25	30409	ADAPTER	1								
26	32801	YOKE - FLANGED	1								
27	33961	SPIDER ASSEMBLY	1								
28	53764	YOKE - SPLINED	1								
29	50209	SPIDER ASSEMBLY	1								
30	50210	TUBE	1								
31	50211	BOLT	4								
32	29A-02	GREASE FITTING	3								
33	51A-0506	BOLT	8								
34	50A-0608	BOLT	6								
35	51D-0608	BOLT	4								
36	14A-06	LOCKWASHER	6								



710/710A



720 thru 730A



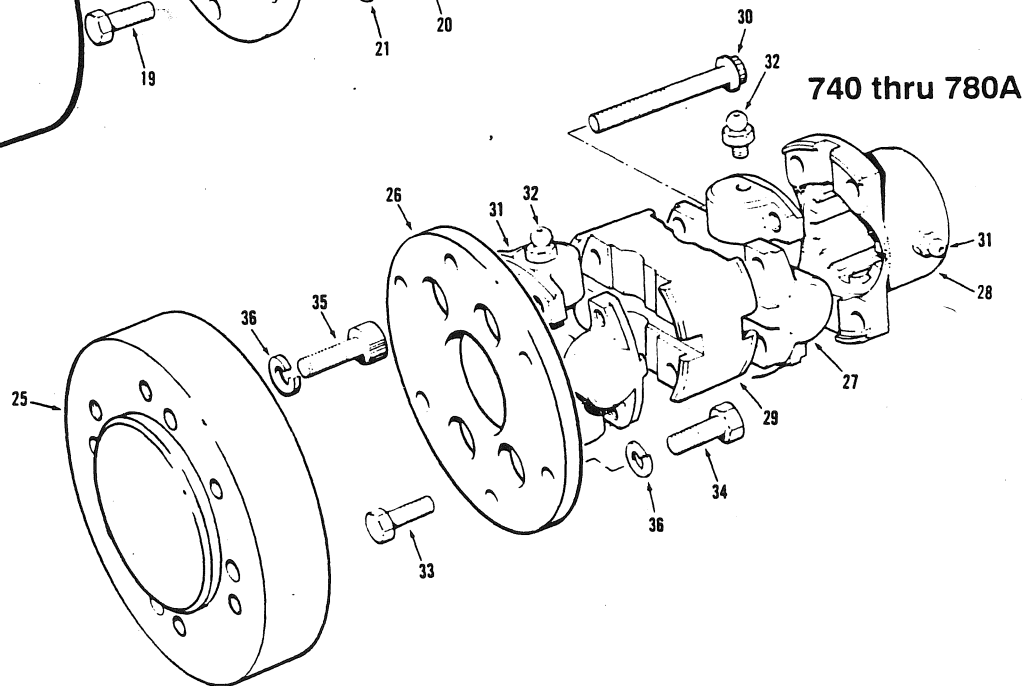
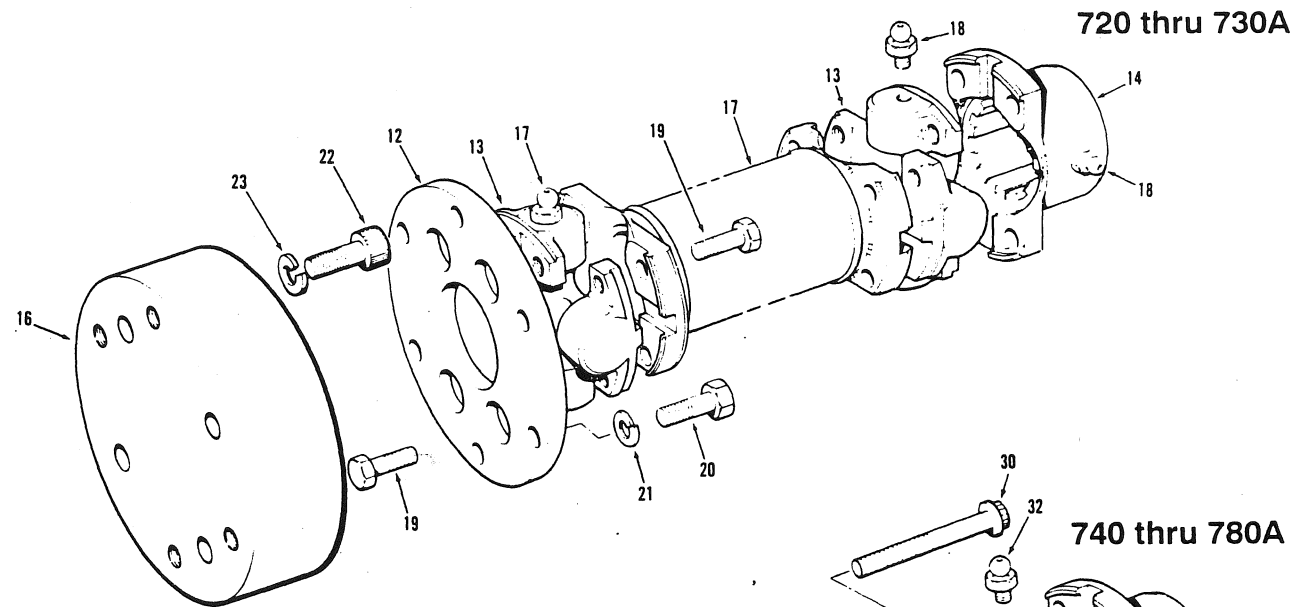
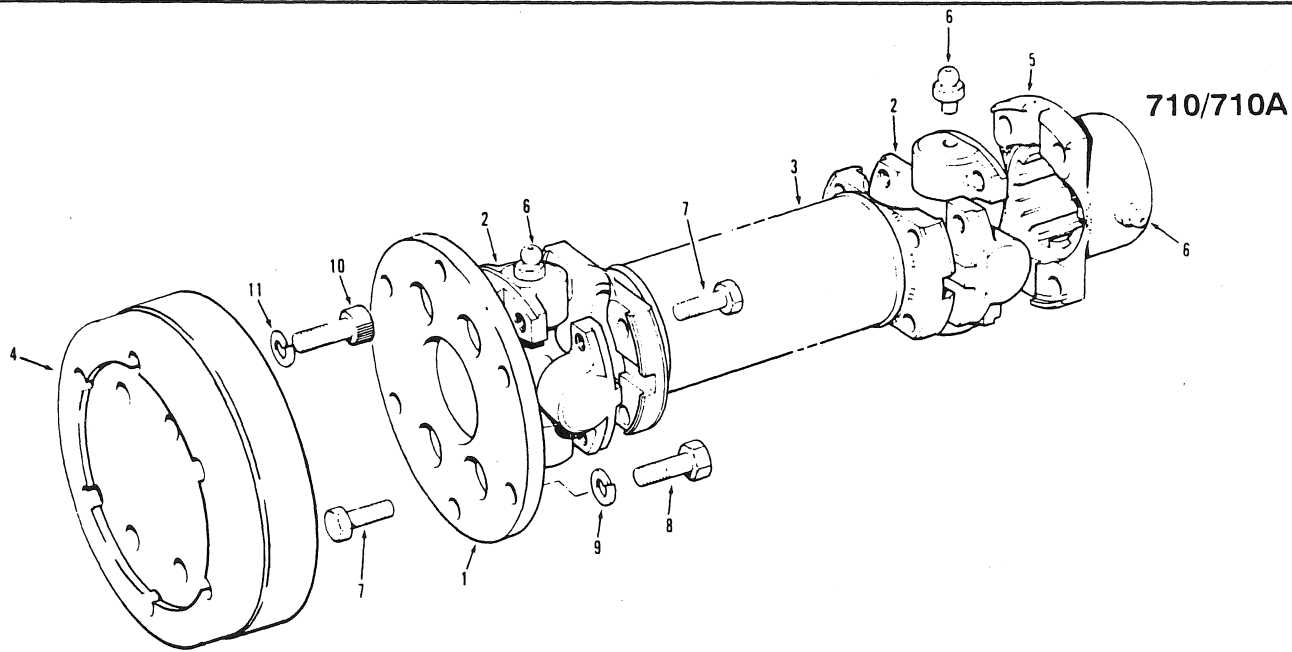
740 thru 780A

EFFECTIVE SERIAL NUMBER(S) 21915 to 21961
 NUMERO(S) DE SÉRIE EFFECTIF(S)
 NUMERO(S) DE SÉRIE EFECTIVO(S)

700 SERIES
 SERIE 700

SECTION 4 PAGE 5
 SECCION 4 PAGINA 5

SECTION 4 SECCION 4		PAGE 6 PAGINA 6	ISSUE No. N° D'ÉMISSION N° DE EDICION	5 REVISION A	PUMP DRIVESHAFT INSTALLATION			FEBRUARY 1992	
No. N° N°	PART No. N° DE PIÈCE N° DE PIEZA	DESCRIPTION DÉSCRIPTION DESCRIPCION	No. REQ. N° REQ. N° REQ.	REMARKS REMARQUES NOTAS	No. N° N°	PART No. N° DE PIÈCE N° DE PIEZA	DESCRIPTION DÉSCRIPTION DESCRIPCION	No. REQ. N° REQ. N° REQ.	REMARKS REMARQUES NOTAS
	40093	PUMP DRIVESHAFT - 6BT - INCLUDES ITEMS 2, 3, 6 & 7		710/710A					
1	32801	YOKE - FLANGED	1						
2	33961	SPIDER ASSEMBLY	2						
3	40301	TUBE ASSEMBLY	1						
4	40307	ADAPTER	1						
5	53764	YOKE - SPLINED	1						
6	29A-02	GREASE FITTING	3						
7	51A-0506	BOLT	16						
8	50A-0608	BOLT	6						
9	14A-06	LOCKWASHER	6						
10	50D-0710	BOLT	4						
11	14A-07	LOCKWASHER	4						
	41877	PUMP DRIVESHAFT - 6CT - INCLUDES ITEMS 13, 17, 18 & 19		720 thru 730A					
12	32801	YOKE - FLANGED	1						
13	33961	SPIDER ASSEMBLY	2						
14	53764	YOKE - SPLINED	1						
16	41880	ADAPTER	1						
17	50208	TUBE	1						
18	29A-02	GREASE FITTING	3						
19	51A-0506	BOLT	16						
20	50A-0608	BOLT	6						
21	14A-06	LOCKWASHER	4						
22	350D-12030	BOLT	4						
23	314A-12	LOCKWASHER	4						
	59433	PUMP DRIVESHAFT - L-10 - INCLUDES ITEMS 27, 29, 31, 32 & 33		740 thru 780A					
25	30409	ADAPTER	1						
26	59432	YOKE - FLANGED	1						
27	59435	SPIDER ASSEMBLY	1						
28	56630	YOKE - SPLINED	1						
29	*59434	TUBE	1						
30	*50211	BOLT	4						
31	*63070	SPIDER ASSEMBLY	1						
32	29A-02	GREASE FITTING	3						
33	51A-0506	BOLT	8						
34	50A-0608	BOLT	8						
35	51D-0608	BOLT	4						
36	14A-06	LOCKWASHER	6						



FEBRUARY 1992

PARA LA LISTA DE LAS PIEZAS - VER AL VERSO

PUMP DRIVESHAFT INSTALLATION

POUR LA LISTE DES PIÈCES - VOIR AU VERSO

FOR LIST OF PARTS - TURN THIS PAGE

6 REVISION A

ISSUE No
N° D'ÉMISSION
N° DE EDICION

EFFECTIVE SERIAL NUMBER(S)
NUMERO(S) DE SÉRIE EFFECTIF(S)
NUMERO(S) DE SERIE EFECTIVO(S)

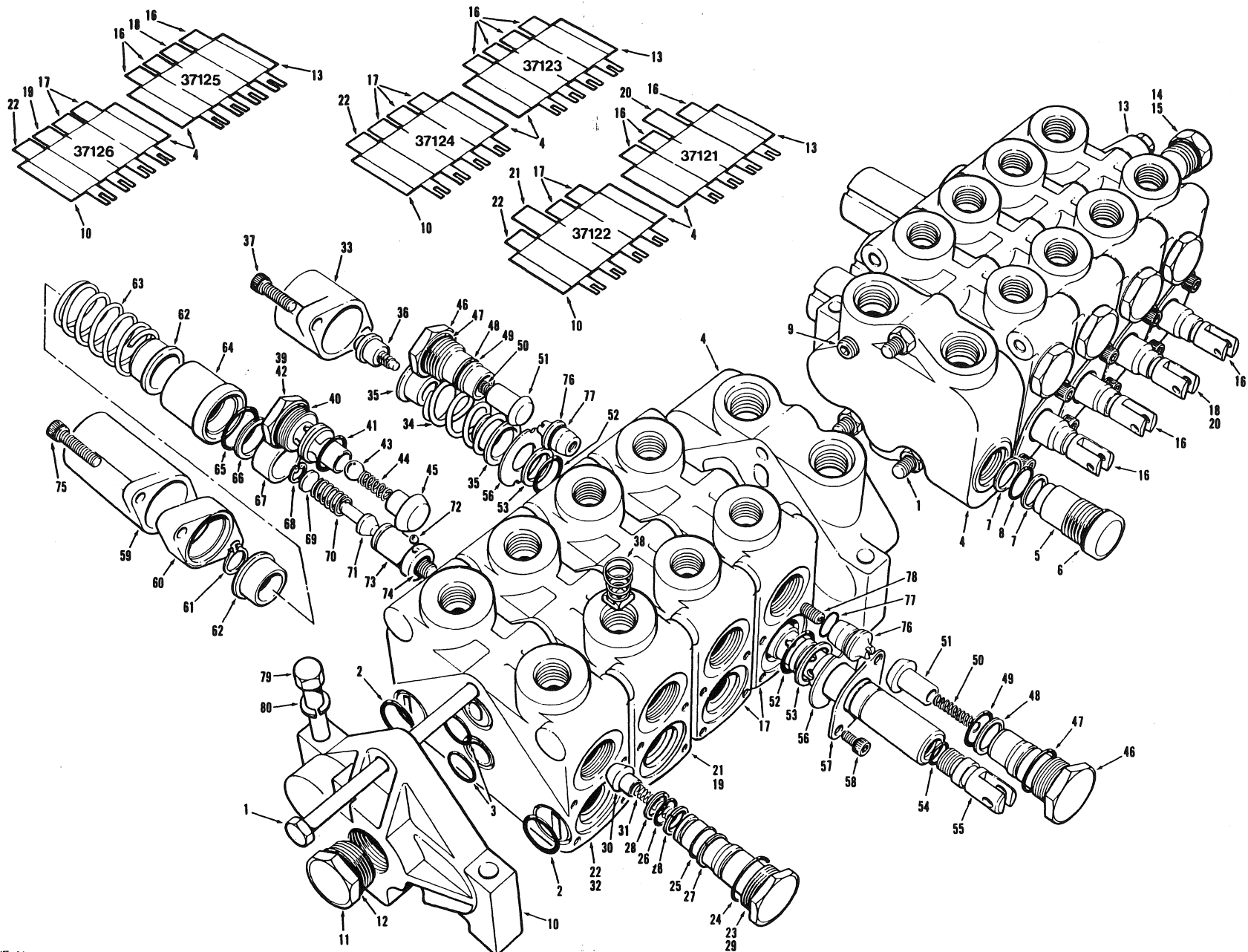
21962 & UP

700 SERIES
SERIE 700

SECTION
SECCION 4

PAGE
PAGINA 5

SECTION SECCION		PAGE PAGINA		ISSUE No. N° D'ÉMISSION N° DE EDICION		6 REVISION A		PUMP DRIVESHAFT INSTALLATION		FEBRUARY 1992	
No. N° N°	PART No. N° DE PIÈCE N° DE PIEZA	DESCRIPTION DESCRIPTION DESCRIPCION	No. REQ. N° REQ. N° REQ.	REMARKS REMARQUES NOTAS	No. N° N°	PART No. N° DE PIECE N° DE PIEZA	DESCRIPTION DESCRIPTION DESCRIPCION	No. REQ. N° REQ. N° REQ.	REMARKS REMARQUES NOTAS		
	59898	PUMP DRIVESHAFT - 6BT - INCLUDES ITEMS 2, 3, 6 & 7		710/710A							
1	32801	YOKE - FLANGED	1								
2	33961	SPIDER ASSEMBLY	2								
3	59900	TUBE ASSEMBLY	1								
4	40307	ADAPTER	1								
5	53764	YOKE - SPLINED	1								
6	29A-02	GREASE FITTING	3								
7	51A-0506	BOLT	16								
8	50A-0608	BOLT	6								
9	14A-08	LOCKWASHER	6								
10	50D-0710	BOLT	4								
11	14A-07	LOCKWASHER	4								
	59899	PUMP DRIVESHAFT - 6CT - INCLUDES ITEMS 13, 17, 18 & 19		720 thru 730A							
12	59432	YOKE - FLANGED	1								
13	59435	SPIDER ASSEMBLY	2								
14	56630	YOKE - SPLINED	1								
16	41880	ADAPTER	1								
17	59901	TUBE	1								
18	29A-02	GREASE FITTING	3								
19	51D-0506	BOLT	16								
20	50A-0608	BOLT	6								
21	14A-06	LOCKWASHER	4								
22	350D-12030	BOLT	4								
23	314A-12	LOCKWASHER	4								
	59433	PUMP DRIVESHAFT - L-10 - INCLUDES ITEMS 27, 29, 31, 32 & 33		740 thru 780A							
25	30409	ADAPTER	1								
26	59432	YOKE - FLANGED	1								
27	59435	SPIDER ASSEMBLY	1								
28	56630	YOKE - SPLINED	1								
29	*59434	TUBE	1								
30	*50211	BOLT	4								
31	*63070	SPIDER ASSEMBLY	1								
32	29A-02	GREASE FITTING	3								
33	51A-0506	BOLT	8								
34	50A-0608	BOLT	8								
35	51D-0608	BOLT	4								
36	14A-06	LOCKWASHER	6								



EFFECTIVE SERIAL NUMBERS) 16224, 16245 TO 16885 & 700 SERIES
 NUMEROSI DE SERIE EFFECTIFS) 16888 TO 16893
 NUMEROSI DE SERIE EFFECTIVOS)
 U.S. 2021-2 & UP

SECTION 4 PAGE 7
 SECTION 4 PAGINA 7

ISSUE No. 1 REVISION A
 N° D'ÉMISSION
 N° DE EDICION

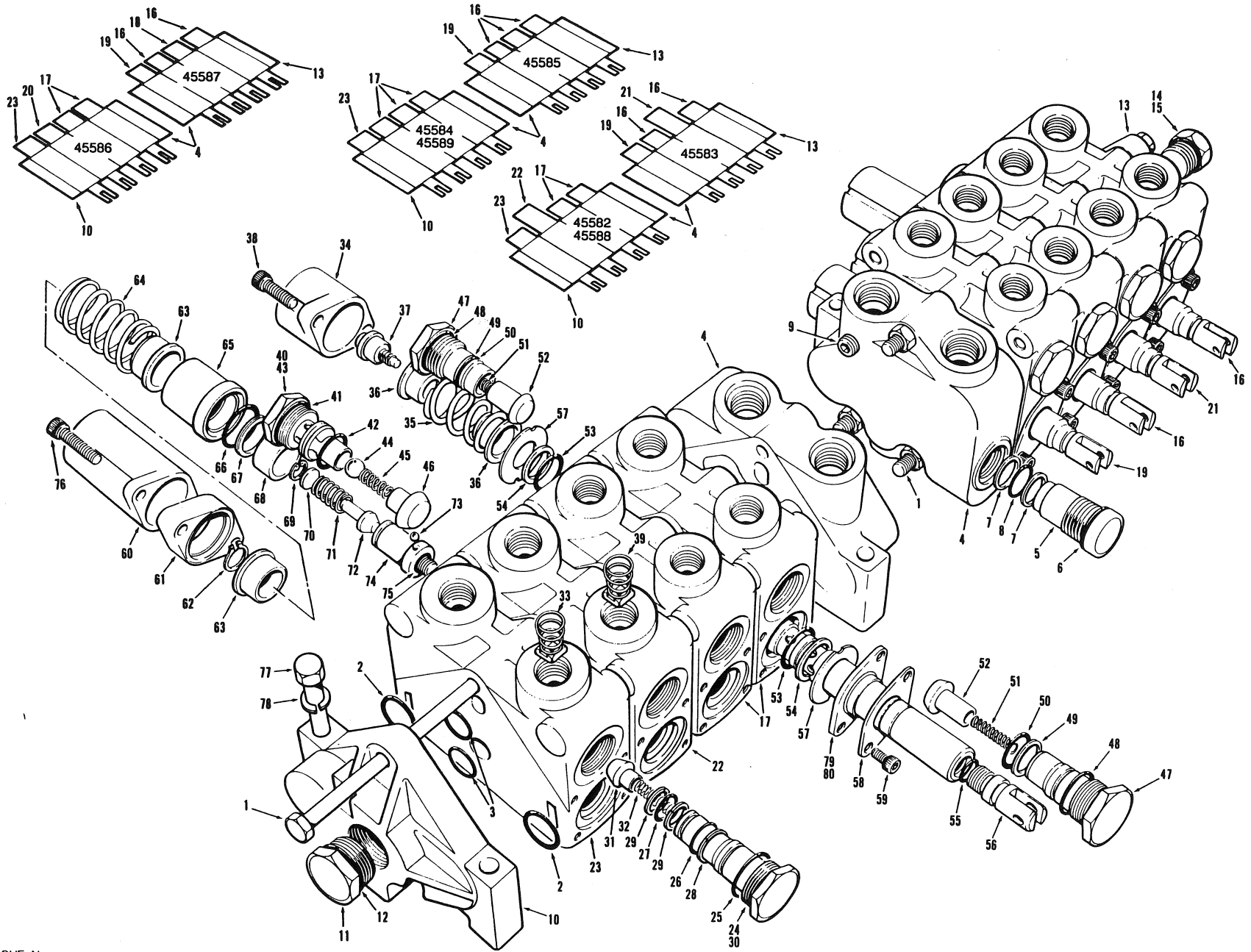
MANIFOLD VALVE ASSEMBLY

NOVEMBER 1985

FOR LIST OF PARTS - TURN THIS PAGE POUR LA LISTE DES PIÈCES - VOIR AU VERSO PARA LA LISTA DE LAS PIEZAS - VER AL VERSO

USE ONLY CHAMPION APPROVED PARTS

SECTION SECCION 4		PAGE PAGINA 8	ISSUE No. N° D'ÉMISSION N° DE EDICION	1 REVISION A	MANIFOLD VALVE ASSEMBLY			NOVEMBER 1985	
No. N° N°	PART No. N° DE PIÈCE N° DE PIEZA	DESCRIPTION DÉSCRIPTION DESCRIPCION	No. REQ. N° REQ. N° REQ.	REMARKS REMARQUES NOTAS	No. N° N°	PART No. N° DE PIECE N° DE PIEZA	DESCRIPTION DÉSCRIPTION DESCRIPCION	No. REQ. N° REQ. N° REQ.	REMARKS REMARQUES NOTAS
	37121	R.H. MANIFOLD VALVE - C/W INTEGRAL FLOAT & ANTI-CAVITATION - INCLUDES 3 OF ITEM 16, 1 OF ITEM 20, ITEMS 1 TO 9 & 13 TO 15	A.R.		24	36951	SEAL KIT - INCLUDES ITEMS 24 TO 28	A.R.	
					25		O RING	1	
					26		O RING	1	
					27		BACK-UP WASHER	1	
	37122	L.H. MANIFOLD VALVE - C/W INTEGRAL FLOAT & ANTI-CAVITATION - INCLUDES 2 OF ITEM 17, 1 OF ITEM 21, 1 OF ITEM 22 & ITEMS 1 TO 12	A.R.		28		BACK-UP WASHER	2	
					29		PLUG	1	
					30		POPPET	1	
					31		SPRING	1	
	37123	R.H. MANIFOLD VALVE - INCLUDES 4 OF ITEM 16, ITEMS 1 TO 9 & 13 TO 15	A.R.		32	36953	SEAL KIT - C/W SEALS & BACK-UP WASHER	A.R.	
					33	37208	SPOOL POSITIONER - C/W ITEMS 34 TO 37	A.R.	
					34		SPRING	1	
	37124	L.H. MANIFOLD VALVE - INCLUDES 3 OF ITEM 17, 1 OF ITEM 22 & ITEMS 1 TO 12	A.R.		35		SPRING COLLAR	2	
					36		SPOOL COLLAR	1	
					37	50D-0404	CAPSCREW	2	
	37125	R.H. MANIFOLD VALVE - C/W ANTI-CAVITATION & RESTRICTOR - INCLUDES 3 OF ITEM 16, 1 OF ITEM 18, ITEMS 1 TO 9 & 13 TO 15	A.R.		38	36943	ORIFICE RESTRICTOR	A.R.	
					39	36950	ANTI-CAVITATION CHECK -C/W ITEMS 40 TO 45	A.R.	
						37089	SEAL KIT - INCLUDES ITEMS 40 & 41	A.R.	
					40		O RING	1	
	37126	L.H. MANIFOLD VALVE - C/W ANTI-CAVITATION & RESTRICTOR - INCLUDES 2 OF ITEM 17, 1 OF ITEM 19, 1 OF ITEM 22 & ITEMS 1 TO 12	A.R.		41		O RING	1	
					42		CHECK BODY	1	
					43		STEEL BALL	1	
					44		SPRING	1	
					45		CHECK	1	
1	27536	STUD KIT	1		46	36952	CYL. PORT LOAD CHECK - C/W ITEMS 47 TO 51	A.R.	
2	27538	O RING - LARGE	10			37088	SEAL KIT - INCLUDES ITEMS 47 TO 49	A.R.	
3	27539	O RING - SMALL	10		47		O RING	1	
4	36942	INLET COVER - INCLUDES ITEMS 5 TO 9	1		48		BACK-UP WASHER	1	
5	37094	RELIEF PLUG - INCLUDES ITEMS 6 TO 8	1		49		O RING	1	
6	37212	SEAL KIT - INCLUDES ITEMS 6 TO 8	A.R.		50		SPRING	1	
7		O RING	1		51		POPPET	1	
8		BACK-UP WASHER	2			37086	SPOOL SEAL KIT - INCLUDES ITEMS 52 TO 54	A.R.	
9	115D-04	PLUG	1		52		O RING	2	
10	36944	END COVER - L.H. - INCLUDES ITEMS 11 & 12	1		53		BACK-UP WASHER	2	
11	111H-10	PLUG - C/W ITEM 12	1		54		O RING	2	
12		O RING	1			37087	SPOOL SEAL KIT - INCLUDES ITEMS 52 & 53	A.R.	
13	36945	END COVER - R.H. - INCLUDES ITEMS 14 & 15	1		55		SPOOL	1	
14	26507	CONVERSION PLUG	1		56		RETAINER PLATE	2	
15	28414	O RING	1		57		SEAL PLATE	2	
16	36946	VALVE SECTION - R.H. MANIFOLD - INCLUDES ITEMS 33 TO 37, 46 TO 58 & 76 TO 78	A.R.		58	50D-0405	CAPSCREW	2	
17	36947	VALVE SECTION - L.H. MANIFOLD - INCLUDES ITEMS 33 TO 37, 46 TO 58 & 76 TO 78	A.R.		59	37005	FLOAT POSITIONER - C/W ITEMS 60 TO 75	A.R.	
18	36948	BLADE LIFT VALVE SECTION - R.H. MANIFOLD - C/W ANTI-CAVITATION & RESTRICTOR -INCLUDES ITEMS 33 TO 58 & 76 TO 78	A.R.		60		SPACER	1	
19	36949	BLADE LIFT VALVE SECTION - L.H. MANIFOLD - C/W ANTI-CAVITATION & RESTRICTOR -INCLUDES ITEMS 33 TO 58 & 76 TO 78	A.R.		61		RETAINING RING	1	
20	37003	BLADE LIFT VALVE SECTION - R.H. MANIFOLD - C/W INTEGRAL FLOAT, ANTI-CAVITATION & RESTRICTOR - INCLUDES ITEMS 38 TO 78	A.R.		62		SPRING COLLAR	2	
21	37004	BLADE LIFT VALVE SECTION - L.H. MANIFOLD - C/W INTEGRAL FLOAT, ANTI-CAVITATION & RESTRICTOR - INCLUDES ITEMS 38 TO 78	A.R.		63		SPRING	1	
22	37206	BLADE TILT VALVE SECTION - L.H. MANIFOLD - INCLUDES ITEMS 23 TO 37 & 52 TO 58	1		64		DETENT SLEEVE	1	
23	37207	CYL. PORT LOAD CHECK - C/W ITEMS 24 TO 31	2		65		O RING	1	
					66		SEAL	1	
					67		SLEEVE	1	
					68		RETAINING RING	1	
					69		SHIM	1	
					70		SPRING	1	
					71		BALL FOLLOWER	1	
					72		STEEL BALL	4	
					73	*	COLLAR SPOOL	1	
					74	*	O RING	1	
					75	50D-0414	CAPSCREW	2	
						37085	SERIES PLUG KIT - C/W ITEMS 76 TO 78	A.R.	
	37090	COMPLETE SEAL KIT FOR ITEMS 16 TO 19	A.R.		76		PLUG	2	
	37091	COMPLETE SEAL KIT FOR ITEMS 20 & 21	A.R.		77		O RING	2	
	37209	COMPLETE SEAL KIT FOR ITEM 22	A.R.		78		SET SCREW	1	
					79	50D-0520	CAPSCREW	6	
					80	14A-05	LOCKWASHER	6	



EFFECTIVE SERIAL NUMBER(S) 16886, 16887, 16894 & UP
 NUMEROSI DE SERIE EFFECTIV(S) 16886, 16887, 16894 & UP
 U.S. 2500-2 TO 2503-2, 2512-2 & UP

700 SERIES
 SERIE 700

SECTION 4 PAGE 7
 SECTION 4 PAGINA 7

ISSUE No
 N° D'ÉMISSION
 N° DE EDICION 2 REVISION C

MANIFOLD VALVE ASSEMBLY

MARCH 1988

FOR LIST OF PARTS - TURN THIS PAGE

POUR LA LISTE DES PIÈCES - VOIR AU VERSO

PARA LA LISTA DE LAS PIEZAS - VER AL VERSO

USE ONLY CHAMPION ROAD MACHINERY APPROVED PARTS

SECTION SECCION		PAGE PAGINA	ISSUE No. N° D'ÉMISSION N° DE EDICION	2 REVISION C		MANIFOLD VALVE ASSEMBLY				MARCH 1988
No. N° N°	PART No. N° DE PIÈCE N° DE PIEZA	DESCRIPTION DESCRIPTION DESCRIPCION	No. REQ N° REQ. N° REQ.	REMARKS REMARQUES NOTAS	No. N° N°	PART No. N° DE PIÈCE N° DE PIEZA	DESCRIPTION DESCRIPTION DESCRIPCION	No. REQ N° REQ. N° REQ.	REMARKS REMARQUES NOTAS	
	*45583	R.H. MANIFOLD VALVE - C/W INTEGRAL FLOAT & ANTI-CAVITATION - INCLUDES 2 OF ITEM 16, 1 OF ITEM 19, & 1 OF ITEM 21	A.R.		24	37207 36951	CYL. PORT LOAD CHECK - C/W ITEMS 25 TO 32 SEAL KIT - INCLUDES ITEMS 25 TO 29	2 A.R.		
	*45582	L.H. MANIFOLD VALVE - C/W INTEGRAL FLOAT & ANTI-CAVITATION - INCLUDES 2 OF ITEM 17, 1 OF ITEM 22, 1 OF ITEM 23 & ITEMS 1 TO 12	A.R.		25		O RING	1		
	*45588	45582 L.H. VALVE - C/W ITEM 33	A.R.	780 & 780A	26		O RING	1		
	*45585	R.H. MANIFOLD VALVE - INCLUDES 3 OF ITEM 16, & 1 OF ITEM 19	A.R.		27		O RING	1		
	*45584	L.H. MANIFOLD VALVE - INCLUDES 3 OF ITEM 17, 1 OF ITEM 23 & ITEMS 1 TO 12	A.R.		28		BACK-UP WASHER	1		
	*45589	45584 L.H. VALVE - C/W ITEM 33	A.R.	780 & 780A	29		BACK-UP WASHER	2		
	*45587	R.H. MANIFOLD VALVE - C/W ANTI-CAVITATION & RESTRICTOR - INCLUDES 2 OF ITEM 16, 1 OF ITEM 18 & 1 OF ITEM 19	A.R.		30		PLUG	1		
	*45586	L.H. MANIFOLD VALVE - C/W ANTI-CAVITATION & RESTRICTOR - INCLUDES 2 OF ITEM 16, 1 OF ITEM 17, 1 OF ITEM 23 & ITEMS 1 TO 12	A.R.		31		POPPET	1		
	1	27536	1		32		SPRING	1		
	2	27538	10		33	44953	RESTRICTOR	1	780 & 780A	
	3	27539	10		34	37208	SPOOL POSITIONER - C/W ITEMS 35 TO 38	3		
	4	36942	1		35	*36648	SPRING	1		
	5	37094	1		36		SPRING COLLAR	2		
	6	37212	A.R.		37		SPOOL COLLAR	1		
	7		1		38	50D-0404	CAPSCREW	2		
	8		2		39	42727	ORIFICE RESTRICTOR	1		
	9	115D-04	1		40	36950	ANTI-CAVITATION CHECK - C/W ITEMS 41 TO 46	2		
	10	36944	1		41	37089	SEAL KIT - INCLUDES ITEMS 41 & 42	A.R.		
	11	111H-10	1		42		O RING	1		
	12		1		43		O RING	1		
	13	36945	1		44		CHECK BODY	1		
	14	26507	1		45		STEEL BALL	1		
	15	28414	1		46		SPRING	1		
	16	*48326	3		47	36952	CHECK	1		
	17	*48327	2		48	37088	CYL. PORT LOAD CHECK - C/W ITEMS 48 TO 52	A.R.		
	18	*48328	1		49		SEAL KIT - INCLUDES 48 TO 50	A.R.		
	19	*48329	1		50		O RING	1		
	20	*48330	1		51		BACK-UP	1		
	21	*48331	1		52	37086	O RING	1		
	22	*48332	1		53	37087	SPRING	1		
	23	*48333	1		54		POPPET	1		
	37090	COMPLETE SEAL KIT FOR ITEMS 16 TO 20	A.R.		55		SPOOL SEAL KIT - INCLUDES ITEMS 53 TO 55	A.R.		
	37091	COMPLETE SEAL KIT FOR ITEMS 21 TO 22	A.R.		56		SPOOL SEAL KIT - INCLUDES ITEMS 56 TO 59	A.R.		
	37209	COMPLETE SEAL KIT FOR ITEM 23	A.R.		57		O RING	2		
					58		BACK-UP WASHER	2		
					59		O RING	2		
					60		SPRING	1		
					61		POPPET	1		
					62	37086	SPOOL SEAL KIT - INCLUDES ITEMS 53 TO 55	A.R.		
					63	37087	SPOOL SEAL KIT - INCLUDES ITEMS 56 TO 59	A.R.		
					64		O RING	2		
					65		BACK-UP WASHER	2		
					66		O RING	2		
					67	*45516	SPRING	1		
					68	*45517	POPPET	1		
					69	*45518	RETAINER PLATE	2		
					70	50D-0405	SEAL PLATE	2		
					71	37005	CAPSCREW	2		
					72		FLOAT POSITIONER - C/W ITEMS 61 TO 76	1		
					73		SPACER	1		
					74		RETAINER RING	1		
					75		SPRING COLLAR	2		
					76		SPRING	1		
					77		DETENT SLEEVE	1		
					78		O RING	1		
					79		SEAL	1		
					80		SLEEVE	1		
							RETAINING RING	1		
							SHIM	1		
							SPRING	1		
							BALL FOLLOWER	1		
							STEEL BALL	4		
							COLLAR SPOOL	1		
							O RING	1		
						50D-0414	CAPSCREW	2		
						50A-0520	CAPSCREW	6		
						14A-05	LOCKWASHER	6		
						*45600	WIPER KIT C/W ITEMS 79 & 80	A.R.		
							WIPER - SPOOL	1		
							RETAINER - SPOOL	1		

EFFECTIVE SERIAL NUMBER(S)
 NUMEROS(S) DE SERIE EFFECTIFS(S)
 NUMEROS(S) DE SERIE EFECTIVOS(S)
 18578, 18590, 18592 to 19291

700 SERIES
 SERIE 700

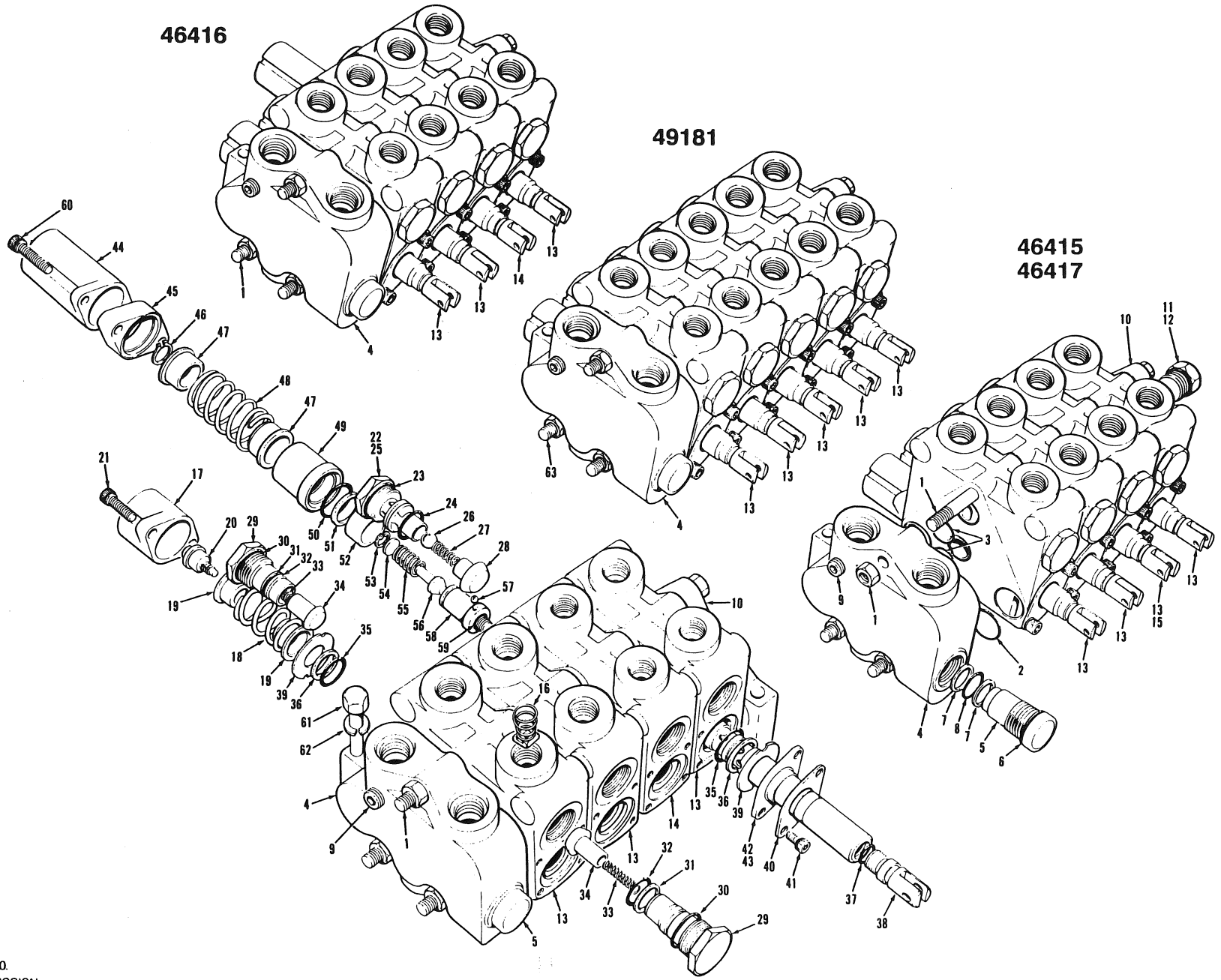
SECTION 4
 SECCION 4
 PAGE 7
 PAGINA 7

ISSUE No.
 N° D'ÉMISSION
 N° DE EDICION

3 REVISION A

MANIFOLD VALVE ASSEMBLY

JULY 1989



FOR LIST OF PARTS - TURN THIS PAGE

POUR LA LISTE DES PIÈCES - VOIR AU VERSO

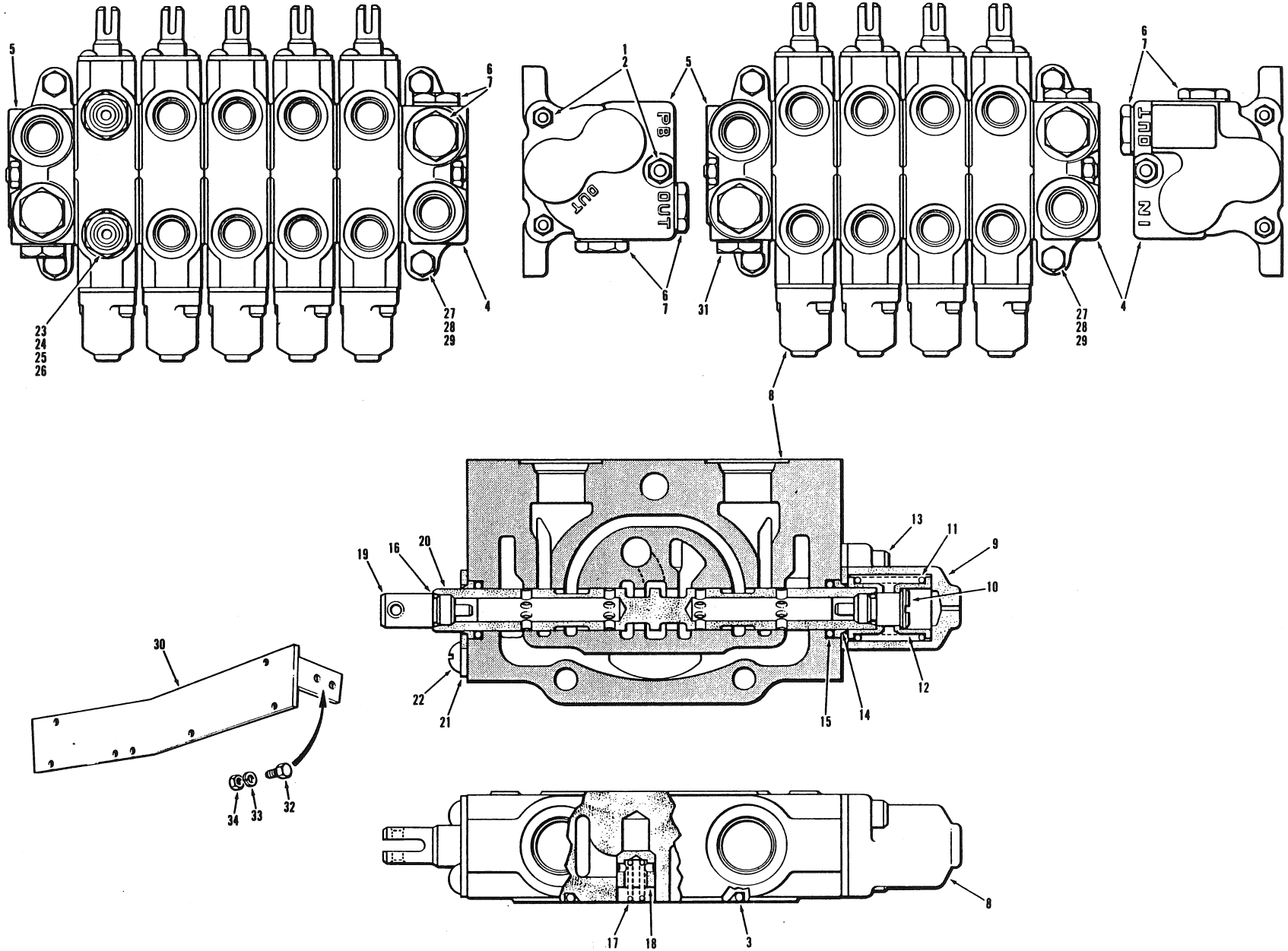
PARA LA LISTA DE LAS PIEZAS - VER AL VERSO

USE ONLY

 CHAMPION ROAD MACHINERY
 APPROVED PARTS

SECTION SECCION		PAGE PAGINA	ISSUE No. N° D'ÉMISSION N° DE EDICION	3 REVISION A		MANIFOLD VALVE ASSEMBLY				JULY 1989
No. N° N°	PART No. N° DE PIÈCE N° DE PIEZA	DESCRIPTION DESCRIPTION DESCRIPCION	No. REQ. N° REQ. N° REQ.	REMARKS REMARQUES NOTAS	No. N° N°	PART No. N° DE PIÈCE N° DE PIEZA	DESCRIPTION DESCRIPTION DESCRIPCION	No. REQ. N° REQ. N° REQ.	REMARKS REMARQUES NOTAS	
	46415	MANIFOLD VALVE ASSEMBLY -C/W 36943 RESTRICTOR. INCLUDES 3 OF 13,1 OF 15 ITEMS 1 TO 9	A.R.		29	36952 37088	CYL. PORT LOAD CHECK - C/W ITEMS 30 TO 34 SEAL KIT - INCLUDES 30 TO 32	A.R.		
	46416	MANIFOLD VALVE ASSEMBLY - C/W 36943 RESTRICTOR. INCLUDES 3 OF 13,1 OF 14 ITEMS 1 TO 9	A.R.		30		O-RING	1		
	46417	MANIFOLD VALVE ASSEMBLY - INCLUDES 4 OF 13 ITEMS 1 TO 9	A.R.		31		BACK-UP RING	1		
	49181	MANIFOLD VALVE ASSEMBLY - INCLUDES 5 OF 13 ITEMS 2 TO 9 & 63	A.R.	MOVEABLE POINT HI LIFT	32		O-RING	1		
					33		SPRING	1		
					34	37086	POPPET	1		
					35		SPOOL SEAL KIT - INCLUDES ITEMS 35 TO 37	A.R.		
					36		O-RING	2		
					37		BACK UP WASHER	2		
					38		O-RING	1		
1	27536	STUD KIT - (3 BOLTS & NUTS)	1		39	37087	SPOOL KIT - INCLUDES ITEMS 35 & 36	A.R.		
2	27538	O-RING - LARGE	10		40		SPOOL	1		
3	27539	O-RING - SMALL	10		41	50D-0405	RETAINER PLATE	2		
4	36942	INLET COVER - INCLUDES ITEMS 5 TO 9	1		42	45600	SEAL PLATE	1		
5	37094	RELIEF PLUG - INCLUDES 6 TO 8	1		43		CAPSCREW	2		
6	37212	SEAL KIT - INCLUDES ITEMS 6 TO 8	A.R.		44		WIPER KIT C/W 42 & 43	A.R.		
7		O-RING	1		45		WIPER - SPOOL	1		
8		BACK - UP WASHER	2		46		RETAINER - SPOOL	1		
9	115D-04	PLUG	1		47	48675	FLOAT POSITIONER - C/W ITEMS 45 TO 60	1		
10	36944	END COVER INCLUDING ITEMS 11 & 12	1		48		SPACER	1		
11	111H-10	PLUG - C/W ITEM 12	1		49	36647	RETAINER PLATE	1		
12	28414	O-RING	1		50	*52433	SPRING COLLAR	2		
13	48344	VALVE SECTION - INCLUDES ITEMS - 17 TO 21 29 TO 43	A.R.		51	*52434	SPRING	1		
14	48673	VALVE SECTION - INCLUDES ITEMS - 22 TO 60	A.R.		52	*52435	DETENT SLEEVE	1		
15	48674	VALVE SECTION - INCLUDES ITEMS 17 TO 43	A.R.		53	*52436	O-RING	1		
16	36943	RESTRICTOR	A.R.		54		SEAL	1		
17	48676	SPOOL POSITIONER - C/W ITEMS 18 TO 21	A.R.		55		SLEEVE	1		
18	36648	SPRING	1		56		RETAINING RING	1		
19		SPRING - COLLAR	2		57		SHIM	1		
20		SPOOL - COLLAR	1		58		SPRING	1		
21		CAPSCREW	2		59		BALL FOLLOWER	1		
22	36950	ANTI-CAVITATION CHECK C/W ITEMS 23 TO 28	1		60	50D-0414	STEEL BALL	1		
23	37089	SEAL KIT - INCLUDES 23 & 24	1		61	50A-0520	COLLAR SPOOL	1		
24		O-RING	1		62	14A-05	O-RING	1		
25		O-RING	1				CAPSCREW	2		
26		CHECK BODY	1				BOLT	3		
27		STEEL BALL	1				LOCKWASHER	3		
28		SPRING	1		63	46173	STUD KIT - (3 BOLTS & NUTS)	1		
		CHECK	1							

CHAMPION ROAD MACHINERY



EFFECTIVE SERIAL NUMBERS) 19292 & UP
 NUMEROS) DE SÉRIE EFFECTIFS)
 NUMEROS) DE SERIE EFECTIVOS)

700 SERIES
 SERIE 700

SECTION 4 PAGE 7
 SECCION 4 PAGINA 7

ISSUE No. 4
 N° D'ÉMISSION 4
 N° DE EDICION 4
REVISION A

MANIFOLD VALVE ASSEMBLY

MAY 1989

FOR LIST OF PARTS - TURN THIS PAGE

POUR LA LISTE DES PIÈCES - VOIR AU VERSO

PARA LA LISTA DE LAS PIEZAS - VER AL VERSO

USE ONLY  CHAMPION ROAD MACHINERY APPROVED PARTS

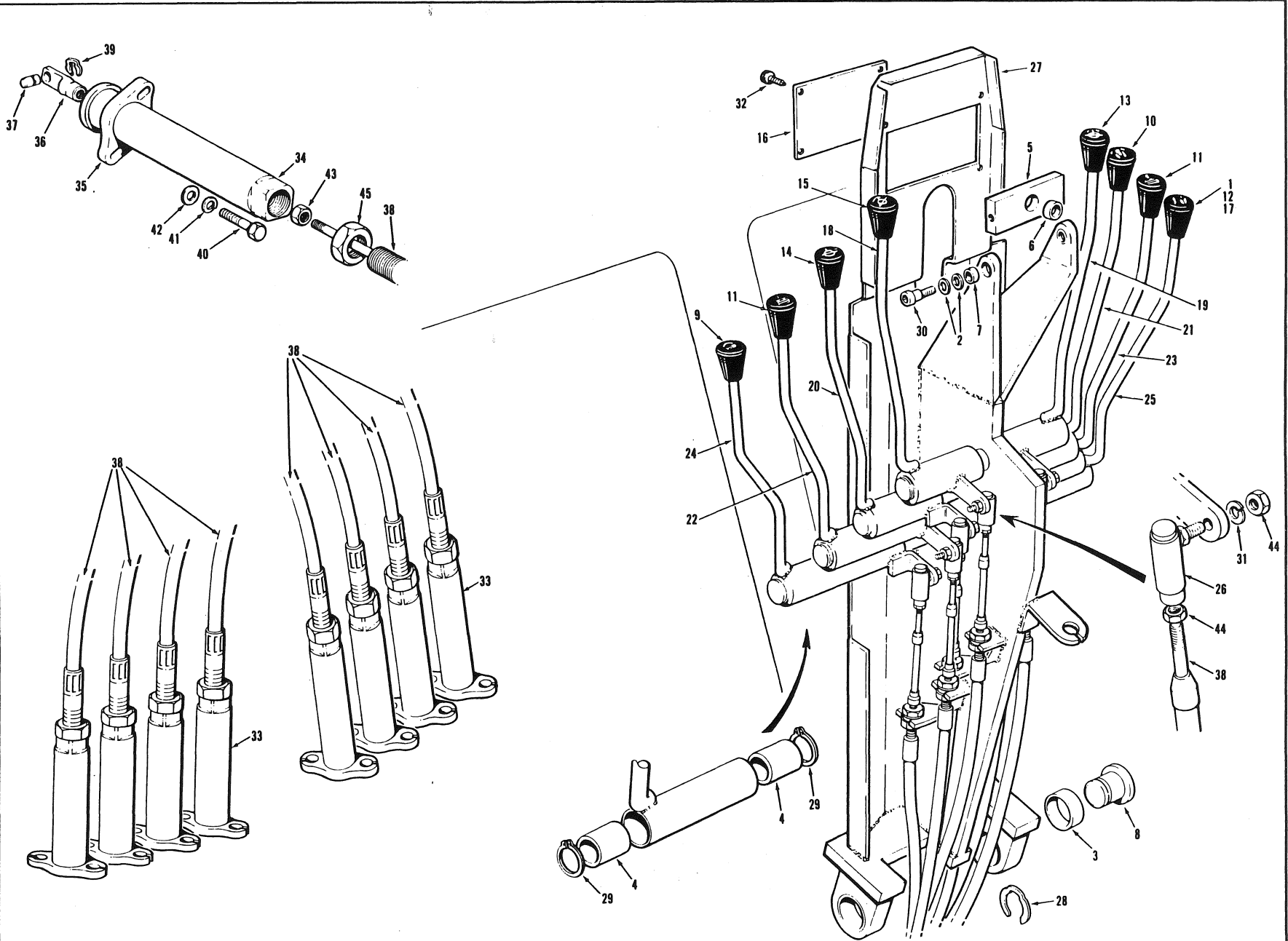
SECTION SECCION		PAGE PAGINA		ISSUE No. N° D'ÉMISSION N° DE EDICION		MANIFOLD VALVE ASSEMBLY				MAY 1989	
4		8		4 REVISION A							
No. N° N°	PART No. N° DE PIÉCE N° DE PIEZA	DESCRIPTION DESCRIPTION DESCRIPCION	No. REQ. N° REQ. N° REQ.	REMARKS REMARQUES NOTAS	No. N° N°	PART No. N° DE PIÉCE N° DE PIEZA	DESCRIPTION DESCRIPTION DESCRIPCION	No. REQ. N° REQ. N° REQ.	REMARKS REMARQUES NOTAS		
	48435	MANIFOLD VALVE ASSEMBLY C/W ITEMS 1, 3 TO 7 & 4 OF ITEM 8	A.R.	STANDARD							
	48555	MANIFOLD VALVE ASSEMBLY C/W ITEMS 2 TO 7 & 5 OF ITEM 8, 23 TO 26	A.R.	OPTIONAL ROTARY HI-LIFT							
1	49963	STUD KIT (3 BOLTS & NUTS)	1								
2	49964	STUD KIT (3 BOLTS & NUTS)	1								
3	49965	O RING	5 or 6								
4	49966	INLET SECTION - INCLUDES ITEM 6	1								
5	49967	OUTLET SECTION - INCLUDES ITEM 6	1								
6	49968	PLUG C/W ITEM 7	A.R.								
7	49969	O RING	A.R.								
8	49970	VALVE SECTION - INCLUDES ITEMS 9 TO 22	A.R.								
		POSITIONER - C/W ITEMS 9 TO 15	1								
9	49971	CAP	1								
10	49972	SPOOL END	1								
11	49973	SPRING	1								
12		SPRING SEAT	1								
13		BOLT	2								
14		WIPER	2								
15	49974	O RING	2								
16	49975	O RING	2								
17	49976	SPRING	1								
18	49977	POPPET	1								
19	49978	CLEVIS END	1								
20		SPOOL	1								
21		PLATE	1								
22		BOLT	2								
23	49979	RESTRICTOR	2								
24	49980	PLUG	2								
25	49981	SPRING	2								
26	49982	O RING	2								
	49983	O RING KIT INCLUDES ITEMS 14 & 15	A.R.								
27	50A-0512	BOLT	4								
28	14A-05	LOCKWASHER	4								
29	30A-05	NUT	4								
30	*48969	MOUNTING BRACKET	1								
31	*49202	POWER BEYOND PLUG	1								
32	*50A-0814	BOLT	4								
33	*14A-08	LOCKWASHER	4								
34	*30A-08	NUT	4								

SECTION SECCION 4		PAGE PAGINA 10	ISSUE No. N° D'ÉMISSION N° DE EDICION 1 REVISION A	MANIFOLD VALVE CONTROLS		JULY 1987			
No. N° N°	PART No. N° DE PIÈCE N° DE PIEZA	DESCRIPTION DESCRIPTION DESCRIPCION	No. REQ. N° REQ. N° REQ.	REMARKS REMARQUES NOTAS	No. N° N°	PART No. N° DE PIECE N° DE PIEZA	DESCRIPTION DESCRIPTION DESCRIPCION	No. REQ. N° REQ. N° REQ.	REMARKS REMARQUES NOTAS
<u>PEDESTAL ASSEMBLY</u>					<u>CONTROL CABLE INSTALLATION</u>				
1	17588	INSERT	8		31	36741	SPACER - .88" THICK	REF.	
2	19889	WASHER	4		32	40686	SPACER - .5" THICK	REF.	
3	28527	BUSHING	2		33	*45535	CABLE - 94" LONG	8	
4	28528	BUSHING	16		34	*45539	BONNET KIT - INCLUDES ITEMS 35 TO 43 & 45	A.R.	
5	28559	LEVER - R.H.	2		35		BONNET	1	
6	28560	LEVER - L.H.	2		36		PLATE	1	
7	28561	LEVER - R.H.	1		37		ADAPTER	1	
8	28562	LEVER - L.H.	1		38		PIN	1	
9	28563	LEVER - R.H.	1						
10	28564	LEVER - L.H.	1		39	19A-025	RETAINING RING	1	
11	28565	PLATE	1		40	50A-0416	BOLT	2	
12	28568	BUSHING	1		41	14A-04	LOCKWASHER	2	
13	28569	BUSHING	1		42	14C-04	FLATWASHER	2	
14	28605	PIN	2		43	31A-04	NUT	1	
15	33216	DECAL - BLADE TILT	1		44	31A-05	NUT	4	
16	33217	DECAL - LEANING WHEEL	1		45	31D-12	NUT	1	
17	33218	DECAL - BLADE LIFT	2						
18	33219	DECAL - SCARIFIER, PLOW & BULLDOZER	1						
19	33220	DECAL - CIRCLE SHIFT	1						
20	33221	DECAL - SLIDE SHIFT	1						
21	33222	DECAL - CIRCLE TURN	1						
22	*33233	PEDESTAL	1						
23	*33233-1	FRONT PLATE	1						
24	33247	KNOB	8						
25	35533	BALL JOINT	8						
26	19A-125	RETAINER RING	2						
27	19C-087	RETAINER RING	16						
28	50G-0604	BOLT	2						
29	14A-05	LOCKWASHER	8						
30	62A-1006	SCREW	4						

EFFECTIVE SERIAL NUMBERS) 18578, 18590, 18592 & UP
NUMEROS) DE SERIE EFFECTIFS)
NUMEROS) DE SERIE EFFECTIVOS)

700 SERIES
SERIE 700

SECTION 4 PAGE 9
SECCION 4 PAGINA 9



ISSUE No.
N° D'ÉMISSION
N° DE EDICION 2

MANIFOLD VALVE CONTROLS

JANUARY 1988

FOR LIST OF PARTS - TURN THIS PAGE

POUR LA LISTE DES PIÈCES - VOIR AU VERSO

PARA LA LISTA DE LAS PIEZAS - VER AL VERSO

USE ONLY CHAMPION ROAD MACHINERY APPROVED PARTS

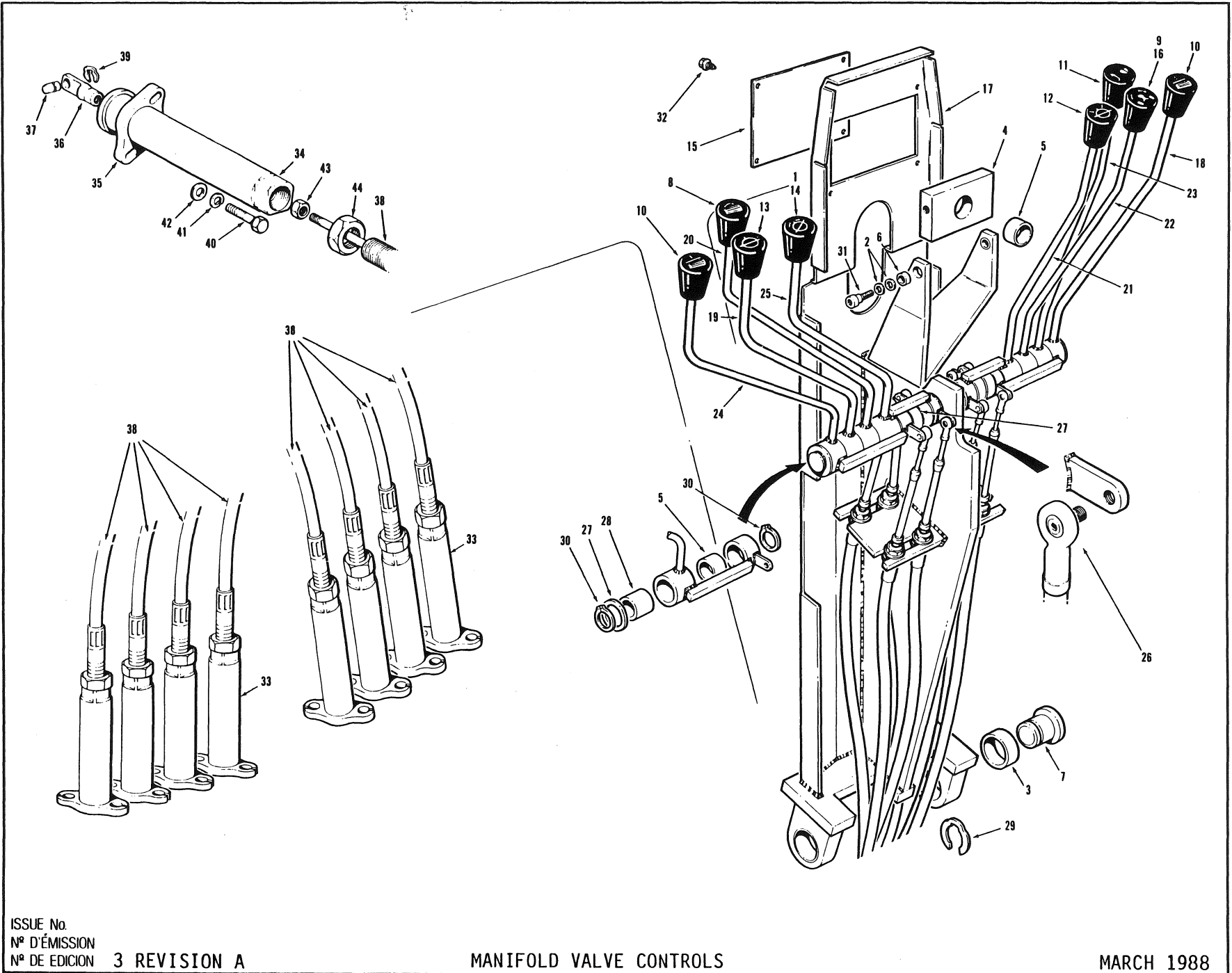
SECTION SECCION 4		PAGE PAGINA 10	ISSUE No. N° D'ÉMISSION 2 N° DE EDICION	MANIFOLD VALVE CONTROLS				JANUARY 1988	
No. N° N°	PART No. N° DE PIÈCE N° DE PIEZA	DESCRIPTION DÉSCRIPTION DESCRIPCION	No. REQ. N° REQ. N° REQ.	REMARKS REMARQUES NOTAS	No. N° N°	PART No. N° DE PIECE N° DE PIEZA	DESCRIPTION DÉSCRIPTION DESCRIPCION	No. REQ. N° REQ. N° REQ.	REMARKS REMARQUES NOTAS
<u>PEDESTAL ASSEMBLY</u>					<u>CONTROL CABLE INSTALLATION</u>				
1	17588	INSERT	8		33	45539	BONNET KIT - INCLUDES ITEMS 34 TO 37, 39 TO 43 & 45	A.R.	
2	19889	WASHER	4						
3	28527	BUSHING	2		34		BONNET	1	
4	28528	BUSHING	16		35		PLATE	1	
5	28565	PLATE	1		36		ADAPTER	1	
6	28568	BUSHING	2		37		PIN	1	
7	28569	BUSHING	1						
8	28605	PIN	2		38	*45872	CABLE - 50" LONG	8	
9	33216	DECAL - BLADE TILT	1						
10	33217	DECAL - LEANING WHEEL	1		39	19A-025	RETAINING RING	1	
11	33218	DECAL - BLADE LIFT	2		40	50D-0416	BOLT	2	
12	33219	DECAL - SCARIFIER, PLOW & BULLDOZER	1		41	14A-04	LOCKWASHER	2	
13	33220	DECAL - CIRCLE SHIFT	1		42	14C-04	FLATWASHER	2	
14	33221	DECAL - SLIDE SHIFT	1		43	31A-04	NUT	1	
15	33222	DECAL - CIRCLE TURN	1		44	31A-05	NUT	16	
16	33233-1	FRONT PLATE	1		45	31D-12	NUT	1	
17	33247	KNOB	8						
18	*45822	LEVER - L.H.	1						
19	*45823	LEVER - R.H.	1						
20	*45824	LEVER - L.H.	1						
21	*45825	LEVER - R.H.	1						
22	*45826	LEVER - L.H.	1						
23	*45827	LEVER - R.H.	1						
24	*45828	LEVER - L.H.	1						
25	*45829	LEVER - R.H.	1						
26	*46059	BALL STUD	8						
27	*46262	PEDESTAL	1						
28	19A-125	RETAINER RING	2						
29	19C-087	RETAINER RING	16						
30	50G-0604	BOLT	2						
31	14A-05	LOCKWASHER	8						
32	62A-1006	SCREW	4						

EFFECTIVE SERIAL NUMBERS)
 NUMEROSI DE SÉRIE EFFECTIFS)
 NUMEROSI DE SERIE EFECTIVOS)

18713, 18715 TO 18717,
 18719 & UP

700 SERIES
 SERIE 700

SECTION 4 PAGE 9
 SECCION 4 PAGINA 9



ISSUE No.
 N° D'ÉMISSION
 N° DE EDICION

3 REVISION A

MANIFOLD VALVE CONTROLS

MARCH 1988

FOR LIST OF PARTS - TURN THIS PAGE

POUR LA LISTE DES PIÈCES - VOIR AU VERSO

PARA LA LISTA DE LAS PIEZAS - VER AL VERSO

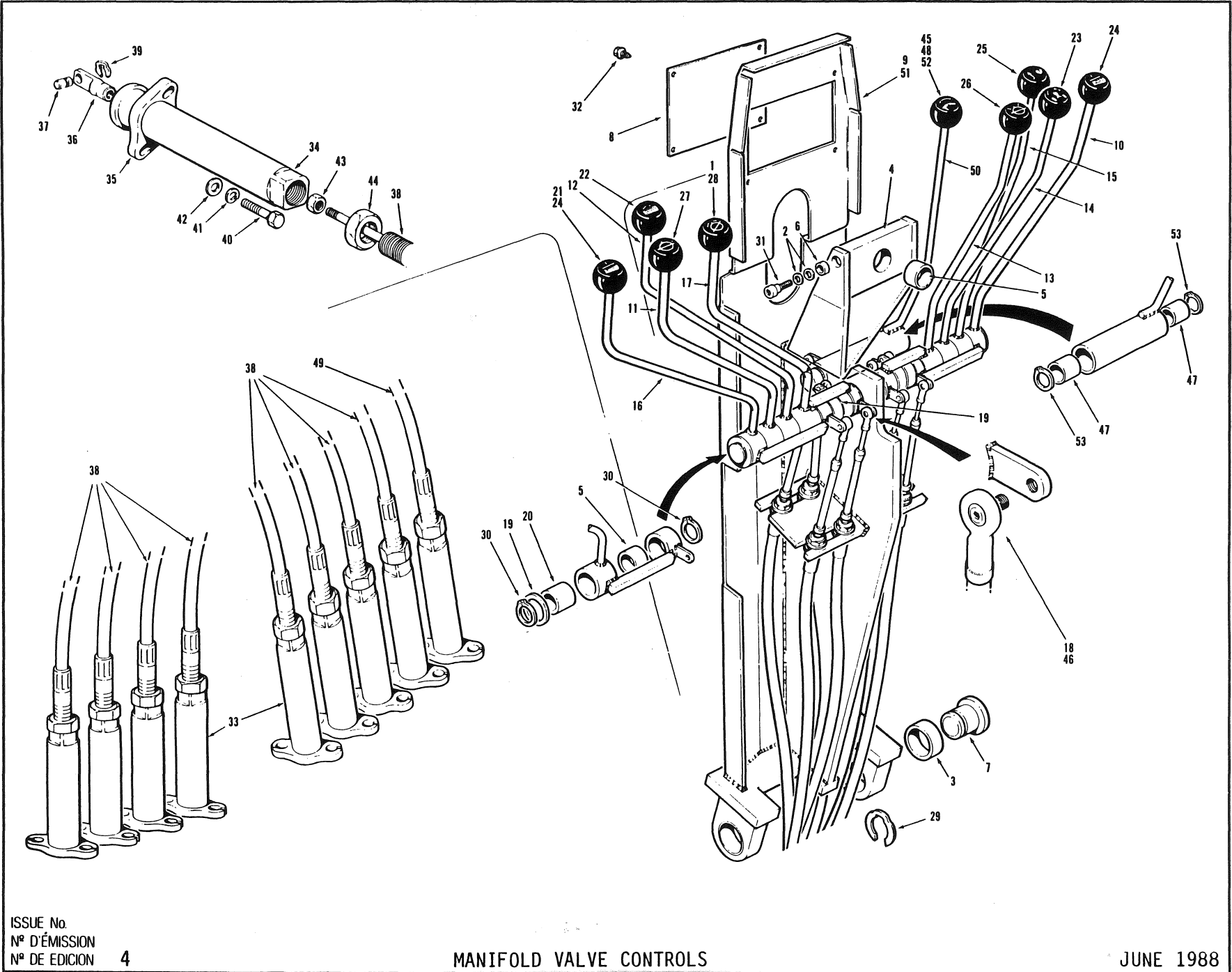
USE ONLY CHAMPION MACHINERY APPROVED PARTS

SECTION SECCION 4		PAGE PAGINA 10	ISSUE No. N° D'ÉMISSION N° DE EDICION 3	REVISION A	MANIFOLD VALVE CONTROLS			MARCH 1988	
No. N° N°	PART No. N° DE PIÈCE N° DE PIEZA	DESCRIPTION DÉSCRIPTION DESCRIPCION	No. REQ. N° REQ. N° REQ.	REMARKS REMARQUES NOTAS	No. N° N°	PART No. N° DE PIÈCE N° DE PIEZA	DESCRIPTION DÉSCRIPTION DESCRIPCION	No. REQ. N° REQ. N° REQ.	REMARKS REMARQUES NOTAS
<u>PEDESTAL ASSEMBLY</u>					<u>CONTROL CABLE INSTALLATION</u>				
1	17588	INSERT	8		33	45539	BONNET KIT - INCLUDES ITEMS 34 TO 37, 39 TO 44	A.R.	
2	19889	WASHER	4						
3	28527	BUSHING	2		34		BONNET	1	
4	28565	PLATE	1		35		PLATE	1	
5	28568	BUSHING	9		36		ADAPTER	1	
6	28569	BUSHING	2		37		PIN	1	
7	28605	PIN	2						
8	33216	DECAL - BLADE TILT	1		38	45872	CABLE - 50" LONG	8	
9	33217	DECAL - LEANING WHEEL	1						
10	33218	DECAL - BLADE LIFT	2		39	19A-025	RETAINING RING	1	
11	33219	DECAL - SCARIFIER, PLOW & BULLDOZER	1		40	50D-0416	BOLT	2	
12	33220	DECAL - CIRCLE SHIFT	1		41	14A-04	LOCKWASHER	2	
13	33221	DECAL - SLIDE SHIFT	1		42	14C-04	FLATWASHER	2	
14	33222	DECAL - CIRCLE TURN	1		43	31A-04	NUT	1	
15	33233-1	FRONT PLATE	1		44	31D-12	NUT	1	
16	33247	KNOB	8						
17	46982	PEDESTAL	1						
18	46990	LEVER - R.H.	1						
19	46991	LEVER - L.H.	1						
20	46992	LEVER - L.H.	1						
21	46993	LEVER - R.H.	1						
22	46994	LEVER - R.H.	1						
23	46995	LEVER - R.H.	1						
24	46996	LEVER - L.H.	1						
25	46997	LEVER - L.H.	1						
26	48099	BALL STUD	8						
27	48205	WASHER	12						
28	48207	BUSHING	8						
29	19A-125	RETAINER RING	2						
30	19C-087	RETAINER RING	4						
31	50G-0604	BOLT	2						
32	62A-1006	SCREW	4						

EFFECTIVE SERIAL NUMBERS) 18916 & UP
 NUMEROS) DE SERIE EFFECTIFS)
 NUMEROS) DE SERIE EFFECTIVOS)

700 SERIES
 SERIE 700

SECTION 4 PAGE 9
 SECCION 4 PAGINA 9



ISSUE No.
 N° D'ÉMISSION
 N° DE EDICION 4

MANIFOLD VALVE CONTROLS

JUNE 1988

FOR LIST OF PARTS - TURN THIS PAGE

POUR LA LISTE DES PIÈCES - VOIR AU VERSO

PARA LA LISTA DE LAS PIEZAS - VER AL VERSO

USE ONLY CHAMPION ROAD MACHINERY APPROVED PARTS

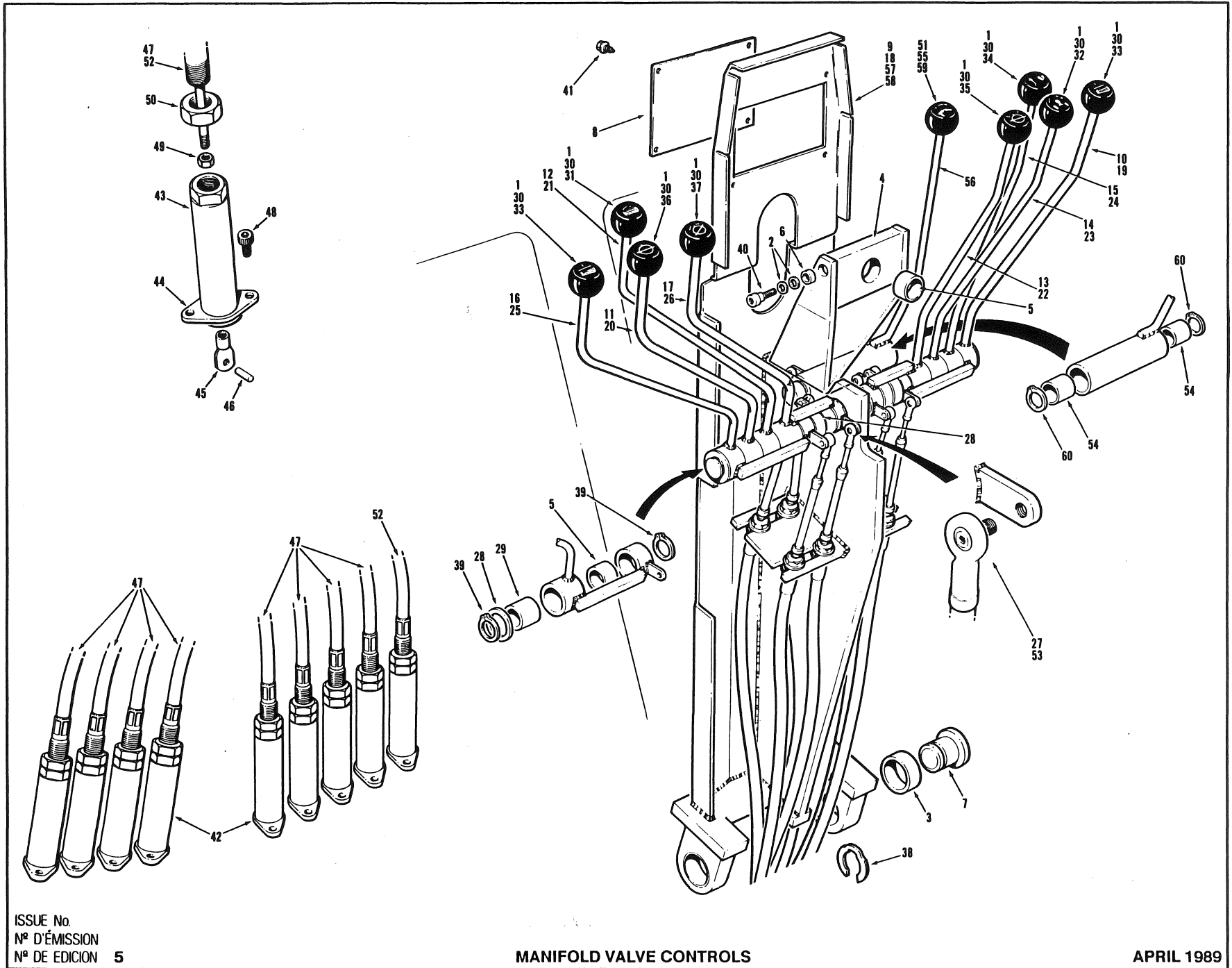
SECTION SECCION 4		PAGE PAGINA 10	ISSUE No. N° D'ÉMISSION N° DE EDICION 4	MANIFOLD VALVE CONTROLS				JUNE 1988	
No. N° N°	PART No. N° DE PIÈCE N° DE PIEZA	DESCRIPTION DÉSCRIPTION DESCRIPCION	No. REQ. N° REQ. N° REQ.	REMARKS REMARQUES NOTAS	No. N° N°	PART No. N° DE PIECE N° DE PIEZA	DESCRIPTION DÉSCRIPTION DESCRIPCION	No. REQ. N° REQ. N° REQ.	REMARKS REMARQUES NOTAS
<u>PEDESTAL ASSEMBLY</u>					<u>CONTROL CABLE INSTALLATION</u>				
1	17588	INSERT	8		33	45539	BONNET KIT - INCLUDES ITEMS 34 TO 37, 39 TO 44	A.R.	
2	19889	WASHER	4						
3	28527	BUSHING	2		34		BONNET	1	
4	28565	PLATE	1		35		PLATE	1	
5	28568	BUSHING	9		36		ADAPTER	1	
6	28569	BUSHING	2		37		PIN	1	
7	28605	PIN	2						
8	33233-1	FRONT PLATE	1		38	45872	CABLE - 50" LONG	8	
9	46982	PEDESTAL	1						
10	46990	LEVER - R.H.	1		39	19A-025	RETAINING RING	1	
11	46991	LEVER - L.H.	1		40	50D-0416	BOLT	2	
12	46992	LEVER - L.H.	1		41	14A-04	LOCKWASHER	2	
13	46993	LEVER - R.H.	1		42	14C-04	FLATWASHER	2	
14	46994	LEVER - R.H.	1		43	31A-04	NUT	1	
15	46995	LEVER - R.H.	1		44	31D-12	NUT	1	
16	46996	LEVER - L.H.	1						
17	46997	LEVER - L.H.	1						
18	48099	BALL STUD	8				<u>MOVEABLE POINT HI-LIFT</u>		
19	48205	WASHER	12		45	17588	INSERT	1	
20	48207	BUSHING	8		46	48099	BALL STUD	1	
21	*48556	KNOB	8		47	48207	BUSHING	2	
22	*48642	DECAL - BLADE TILT	1		48	*48556	KNOB	1	
23	*48643	DECAL - LEANING WHEEL	1		49	45872	CABLE	1	
24	*48644	DECAL - BLADE LIFT	2		50	*48951	LEVER R.H.	1	
25	*48645	DECAL - SCARIFIER' PLOW & BULLDOZER	1		51	*49208	PEDESTAL	1	
26	*48646	DECAL - CIRCLE SHIFT	1		52	*49251	DECAL	1	
27	*48647	DECAL - SLIDE SHIFT	1						
28	*48648	DECAL - CIRCLE TURN	1		53	19C-087	RETAINER RING	2	
29	19A-125	RETAINER RING	2						
30	19C-087	RETAINER RING	4						
31	50G-0604	BOLT	2						
32	62A-1006	SCREW	4						

EFFECTIVE SERIAL NUMBERS)
 NUMEROSI DE SERIE EFFECTIVIS)
 NUMEROSI DE SERIE EFFECTIVOS)

19292 & UP

700 SERIES
 SERIE 700

SECTION 4
 SECCION 4
 PAGE 9
 PAGINA 9



ISSUE No.
 N° D'ÉMISSION
 N° DE EDICION 5

MANIFOLD VALVE CONTROLS

APRIL 1989

FOR LIST OF PARTS - TURN THIS PAGE

POUR LA LISTE DES PIÈCES - VOIR AU VERSO

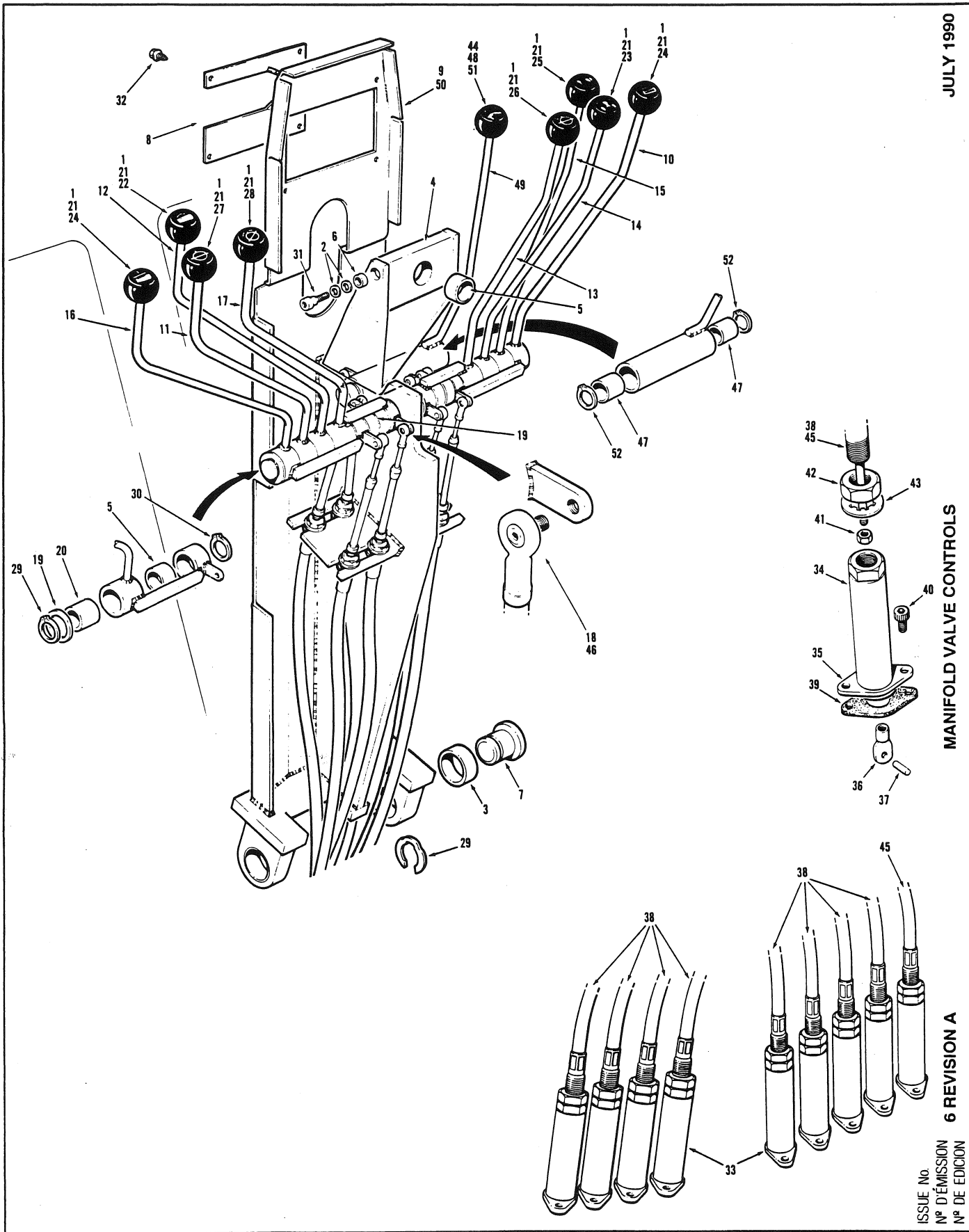
PARA LA LISTA DE LAS PIEZAS - VER AL VERSO

USE ONLY CHAMPION ROAD MACHINERY APPROVED PARTS

SECTION SECCION		PAGE PAGINA		ISSUE No. N° D'ÉMISSION N° DE EDICION		MANIFOLD VALVE CONTROLS				APRIL 1989	
No. N° N°	PART No. N° DE PIÈCE N° DE PIEZA	DESCRIPTION DÉSCRIPTION DESCRIPCION	No. REQ. N° REQ. N° REQ.	REMARKS REMARQUES NOTAS	No. N° N°	PART No. N° DE PIECE N° DE PIEZA	DESCRIPTION DÉSCRIPTION DESCRIPCION	No. REQ. N° REQ. N° REQ.	REMARKS REMARQUES NOTAS		
1	17588	INSERT	8								
2	19889	WASHER	4								
3	28527	BUSHING	2								
4	28565	PLATE	1		42	*48968	CONTROL CABLE INSTALLATION				
5	28568	BUSHING	9		43		BONNET KIT - INCLUDES ITEMS 43 TO 46 & 48 TO 50	A.R.			
6	28569	BUSHING	2		44		BONNET	1			
7	28605	PIN	2		45		PLATE	1			
8	*41712	FRONT PLATE	1		46		ADAPTER	1			
							PIN	1			
9	46982	PEDESTAL	1		47	45872	CABLE - 50" LONG	8			
10	46990	LEVER - R.H.	1								
11	46991	LEVER - L.H.	1		48	*50D-0406	BOLT	2			
12	46992	LEVER - L.H.	1	UP TO	49	31A-04	NUT	1			
13	46993	LEVER - R.H.	1	S/N 19761	50	*31A-12	NUT	1			
14	46994	LEVER - R.H.	1								
15	46995	LEVER - R.H.	1								
16	46996	LEVER - L.H.	1								
17	46997	LEVER - L.H.	1				MOVEABLE POINT HI-LIFT				
18	*49252	PEDESTAL	1		51	17588	INSERT	1			
19	*48381	LEVER - R.H.	1		52	45872	CABLE - 50" LONG	1			
20	*48382	LEVER - L.H.	1		53	48099	BALL STUD	1			
21	*48383	LEVER - L.H.	1		54	48207	BUSHING	2			
22	*48384	LEVER - R.H.	1	S/N 19762	55	48556	KNOB	1			
23	*48385	LEVER - R.H.	1	& UP	56	48951	LEVER - R.H.	1			
24	*48386	LEVER - R.H.	1		57	49208	PEDESTAL	1	UP TO		
25	*48387	LEVER - L.H.	1		58	*49252	PEDESTAL	1	S/N 19760		
26	*48388	LEVER - L.H.	1		59	49251	DECAL - ROTARY HI-LIFT	1	S/N 19762		
27	48099	BALL STUD	8		60	19C-087	RETAINER RING	2	& UP		
28	48205	WASHER	12								
29	48207	BUSHING	8								
30	48556	KNOB	8								
31	48642	DECAL - BLADE TILT	1								
32	48643	DECAL - LEANING WHEEL	1								
33	48644	DECAL - BLADE LIFT	2								
34	48645	DECAL - SCARIFIER, PLOW & BULLDOZER	1								
35	48646	DECAL - CIRCLE SHIFT	1								
36	48647	DECAL - SLIDE SHIFT	1								
37	48648	DECAL - CIRCLE TURN	1								
38	19A-125	RETAINER RING	2								
39	19C-087	RETAINER RING	4								
40	50G-0604	BOLT	2								
41	62A-1006	SCREW	4								

JULY 1990

CHAMPION ROAD MACHINERY



PARA LA LISTA DE LAS PIEZAS - VER AL VERSO

POUR LA LISTE DES PIÈCES - VOIR AU VERSO

FOR LIST OF PARTS - TURN THIS PAGE

MANIFOLD VALVE CONTROLS

6 REVISION A

ISSUE No.
N° D'ÉMISSION
N° DE EDICION

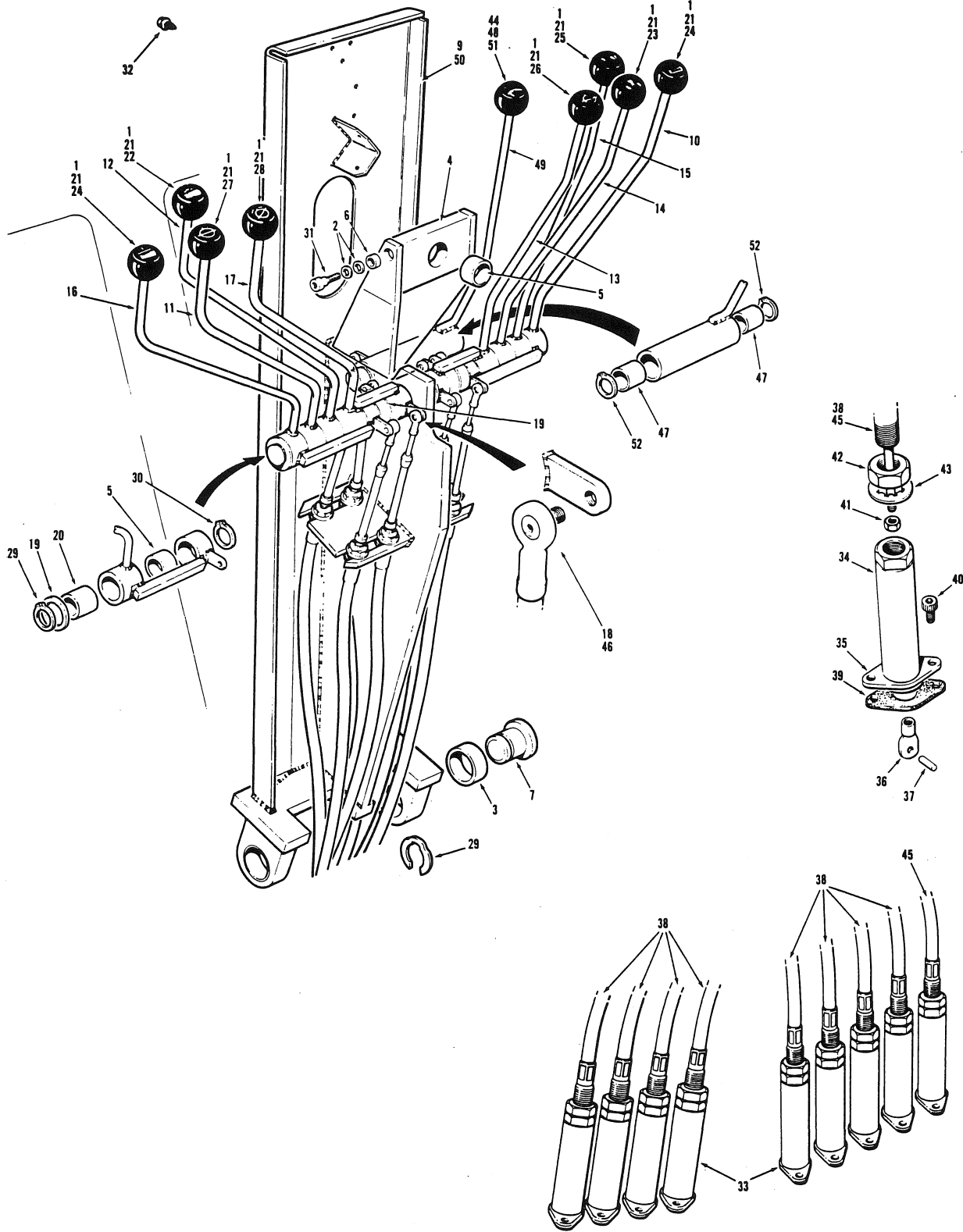
EFFECTIVE SERIAL NUMBER(S) 20409, 20411 to 20442,
 NUMERO(S) DE SÉRIE EFFECTIF(S) 20444 & UP
 NUMERO(S) DE SERIE EFECTIVO(S)

700 SERIES
 SERIE 700

SECTION 4 PAGE 9
 SECCION 4 PAGINA 9

PLATE PLANCHE PLACA		4	10	ISSUE No. N° D'ÉMISSION N° DE EDICION	6 REVISION A	MANIFOLD VALVE CONTROLS			AUGUST 1990
No. N° N°	PART No. N° DE PIÈCE N° DE PIEZA	DESCRIPTION DÉSCRIPTION DESCRIPCION	No. REQ N° REQ. N° REQ.	REMARKS REMARQUES NOTAS	No. N° N°	PART No. N° DE PIECE N° DE PIEZA	DESCRIPTION DÉSCRIPTION DESCRIPCION	No. REQ N° REQ. N° REQ.	REMARKS REMARQUES NOTAS
1	17588	INSERT	8 or 9				CONTROL CABLE INSTALLATION		
2	19889	WASHER	4		33	48968	BONNET KIT - INCLUDES ITEMS 34 TO 37 & 42	1 per	
3	28527	BUSHING	2		34		BONNET	1	
4	28565	PLATE	1		35		PLATE	1	
5	28568	BUSHING	9		36		ADAPTER	1	
6	28569	BUSHING	2		37		PIN	1	
7	28605	PIN	2						
8	55187	FRONT PLATE	1		38	*59028	CABLE - 50" LONG	8	
9	*49203	PEDESTAL	1		39	*56998	GASKET	8 or 9	
10	48381	LEVER - R.H.	1		40	50D-0406	BOLT	2	
11	54888	LEVER - L.H.	1		41	31A-04	NUT	1	
12	54886	LEVER - L.H.	1		42	31A-12	NUT	1	
13	54884	LEVER - R.H.	1		43	*14S-12	SEAL WASHER	8 or 9	
14	54887	LEVER - R.H.	1						
15	54889	LEVER - R.H.	1				MOVEABLE POINT HI-LIFT		
16	48387	LEVER - L.H.	1		44	17588	INSERT	1	
17	54885	LEVER - L.H.	1		45	*59028	CABLE - 50" LONG	1	
18	*54881	BALL STUD	8 or 9		46	*54881	BALL STUD	1	
19	48205	WASHER	12		47	48207	BUSHING	2	
20	48207	BUSHING	8		48	48556	KNOB	1	
21	48556	KNOB	8		49	48951	LEVER - R.H.	1	
22	48642	DECAL - BLADE TILT	1		50	49252	PEDESTAL	1	
23	48643	DECAL - LEANING WHEEL	1		51	49251	DECAL - MOVEABLE POINT HI-LIFT	1	
24	48644	DECAL - BLADE LIFT	2		52	19C-087	RETAINER RING	2	
25	48645	DECAL - SCARIFIER, PLOW & BULLDOZER	1						
26	48646	DECAL - CIRCLE SHIFT	1						
27	48647	DECAL - SLIDE SHIFT	1						
28	48648	DECAL - CIRCLE TURN	1						
29	19A-125	RETAINER RING	2						
30	19C-087	RETAINER RING	4						
31	50G-0604	BOLT	2						
32	62A-1006	SCREW	4						

MANIFOLD VALVE CONTROLS



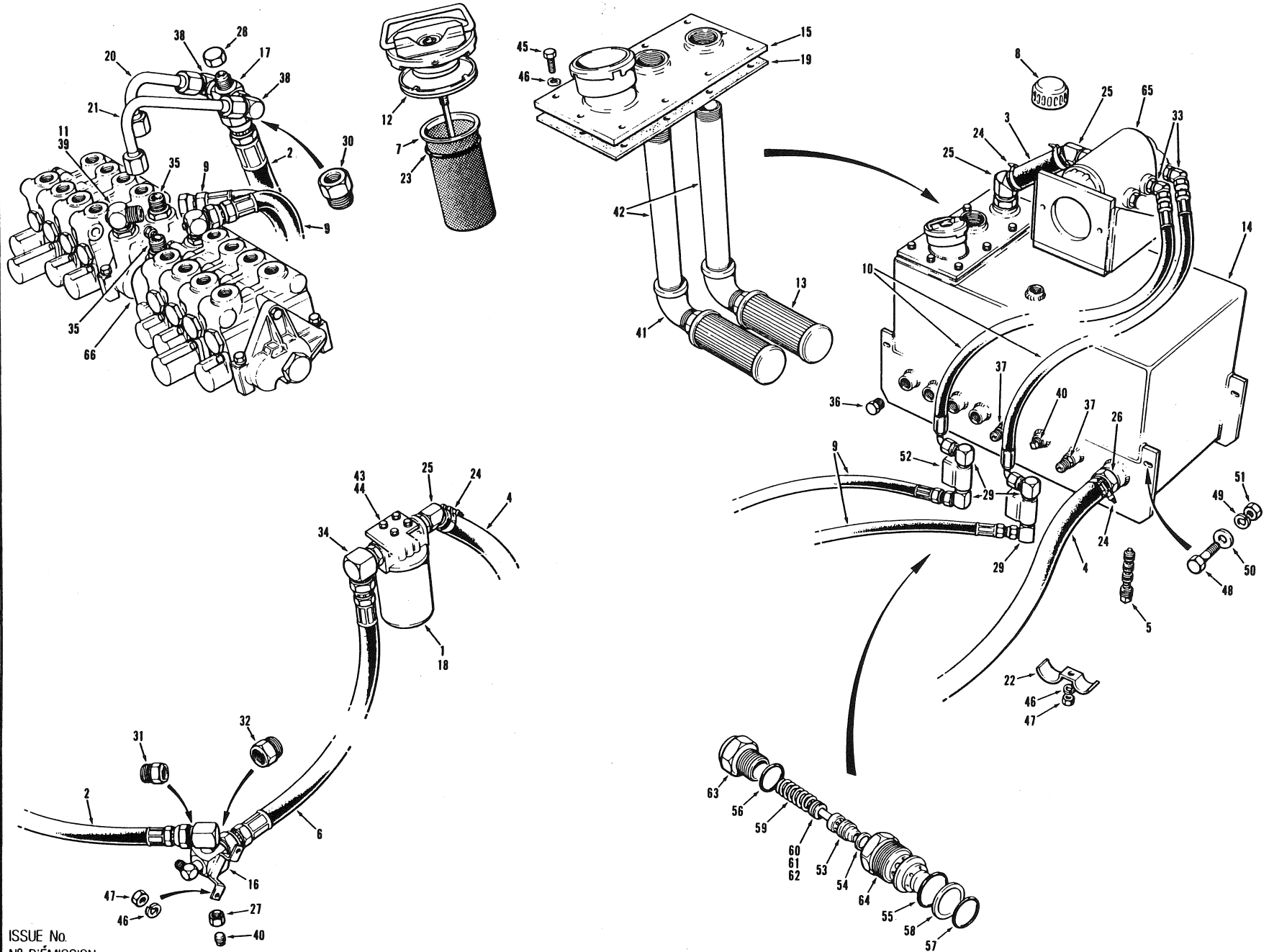
ISSUE No.
N° D'ÉMISSION
N° DE EDICION

EFFECTIVE SERIAL NUMBER(S) 21078, 21080, 21082, 21084,
NUMERO(S) DE SÉRIE EFFECTIF(S) 21086, 21092 & UP
NUMERO(S) DE SERIE EFECTIVO(S)

700 SERIES
SERIE 700

SECTION 4 **PAGE 9**
SECCION 4 **PAGINA 9**

SECTION SECCION		PAGE PAGINA		ISSUE No. N° D'ÉMISSION N° DE EDICION		MANIFOLD VALVE CONTROLS				MARCH 1991	
No. N° N°	PART No. N° DE PIÈCE N° DE PIEZA	DESCRIPTION DESCRIPTION DESCRIPCION	No. REQ. N° REQ. N° REQ.	REMARKS REMARQUES NOTAS	No. N° N°	PART No. N° DE PIÈCE N° DE PIEZA	DESCRIPTION DESCRIPTION DESCRIPCION	No. REQ. N° REQ. N° REQ.	REMARKS REMARQUES NOTAS		
1	17588	INSERT	8 or 9				CONTROL CABLE INSTALLATION				
2	19889	WASHER	4		33	48968	BONNET KIT - INCLUDES ITEMS 34 to 37 & 42	1 per			
3	28527	BUSHING	2		34		BONNET	1			
4	28565	PLATE	1		35		PLATE	1			
5	28568	BUSHING	9		36		ADAPTER	1			
6	28569	BUSHING	2		37		PIN	1			
7	28605	PIN	2								
9	*57406	PEDESTAL	1		38	59028	CABLE - 50" LONG	8			
10	48381	LEVER - R.H.	1		39	56998	GASKET	8 or 9			
11	54888	LEVER - L.H.	1		40	50D-0406	BOLT	2			
12	54888	LEVER - L.H.	1		41	31A-04	NUT	1			
13	54884	LEVER - R.H.	1		42	31A-12	NUT	1			
14	54887	LEVER - R.H.	1		43	14S-12	SEAL WASHER	8 or 9			
15	54889	LEVER - R.H.	1				MOVEABLE POINT HI-LIFT				
16	48387	LEVER - L.H.	1		44	17588	INSERT	1			
17	54885	LEVER - L.H.	1		45	59028	CABLE - 50" LONG	1			
18	54881	BALL STUD	8 or 9		46	54881	BALL STUD	1			
19	48205	WASHER	12		47	48207	BUSHING	2			
20	48207	BUSHING	8		48	48556	KNOB	1			
21	48556	KNOB	8		49	*57488	LEVER - R.H.	1			
22	48642	DECAL - BLADE TILT	1		50	*57434	PEDESTAL	1			
23	48643	DECAL - LEANING WHEEL	1		51	49251	DECAL - MOVEABLE POINT HI-LIFT	1			
24	48644	DECAL - BLADE LIFT	2		52	19C-087	RETAINER RING	2			
25	48645	DECAL - SCARIFIER, PLOW & BULLDOZER	1								
26	48646	DECAL - CIRCLE SHIFT	1								
27	48647	DECAL - SLIDE SHIFT	1								
28	48648	DECAL - CIRCLE TURN	1								
29	19A-125	RETAINER RING	2								
30	19C-087	RETAINER RING	4								
31	50G-0604	BOLT	2								
32	62A-1006	SCREW	4								



ISSUE No.
 N° D'ÉMISSION
 N° DE EDICION 1 REVISION A

PRIMARY HYDRAULIC CIRCUIT - MODEL 710

NOVEMBER 1985

FOR LIST OF PARTS - TURN THIS PAGE

POUR LA LISTE DES PIÈCES - VOIR AU VERSO

PARA LA LISTA DE LAS PIEZAS - VER AL VERSO

EFFECTIVE SERIAL NUMBER(S) 16224, 16245 TO 16744
 NUMEROS(S) DE SERIE EFFECTIFS
 NUMEROS(S) DE SERIE EFFECTIVOS
 U.S. 2021-2 TO 2419-2

700 SERIES
 SERIE 700

SECTION 4 PAGE 11
 SECCION 4 PAGINA 11

USE ONLY CHAMPION APPROVED PARTS

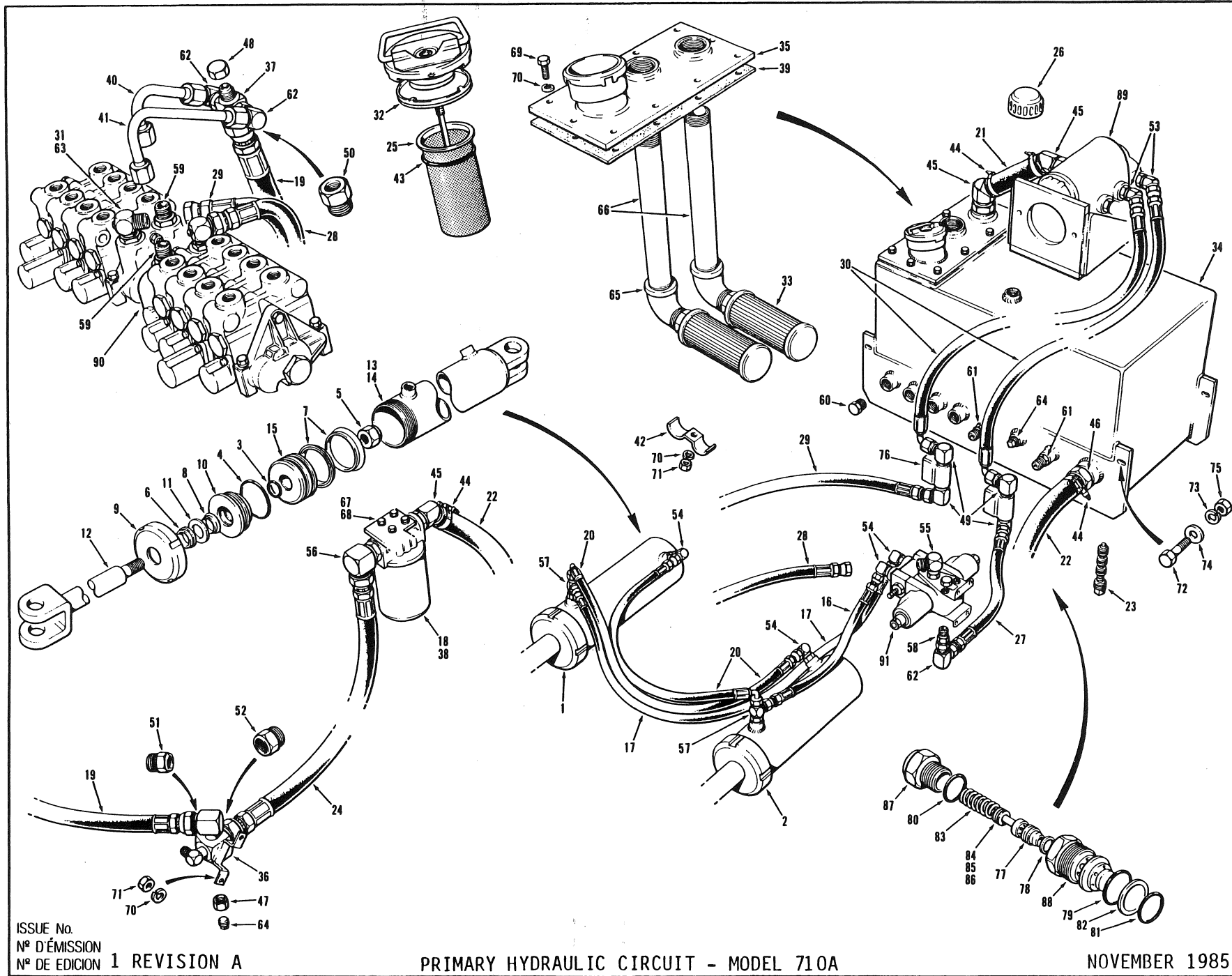


SECTION SECCION 4		PAGE PAGINA 12	ISSUE No. N° D'ÉMISSION N° DE EDICION 1 REVISION A	PRIMARY HYDRAULIC CIRCUIT - MODEL 710				NOVEMBER 1985	
No. N° N°	PART No. N° DE PIECE N° DE PIEZA	DESCRIPTION DÉSCRIPTION DESCRIPCION	No. REQ. N° REQ. N° REQ.	REMARKS REMARQUES NOTAS	No. N° N°	PART No. N° DE PIECE N° DE PIEZA	DESCRIPTION DÉSCRIPTION DESCRIPCION	No. REQ. N° REQ. N° REQ.	REMARKS REMARQUES NOTAS
1	13028	FILTER ELEMENT - INCLUDES GASKET	1		43	50A-0508	BOLT	4	
2	14379 X 90	HOSE	1		44	14A-05	LOCKWASHER	4	
3	17156 X 8.5	HOSE	1		45	50A-0608	BOLT	10	
4	17156 X 80	HOSE	1		46	14A-06	LOCKWASHER	A.R.	
5	27449	MAGNETIC PLUG	1		47	30A-06	NUT	A.R.	
6	27739 X 90	HOSE	1		48	50A-1016	BOLT	4	
7	28008	STRAINER ASSY. - INCLUDES ITEM 23	1		49	14A-10	LOCKWASHER	4	
8	28081	AIR BREATHER	1		50	14C-10	FLATWASHER	4	
9	28485 X 212	HOSE	2		51	30A-10	NUT	4	
10	28696 X 36	HOSE	2						
11	32589	CONNECTOR - INCLUDES ITEM 38	2				RELIEF VALVE ASSEMBLY		
12	32667	FILLER CAP - INCLUDES DIPSTICK	1						
13	32668	STRAINER	2		52	27942	RELIEF VALVE ASSY. - INCLUDES ITEMS 53 TO 64	2	
14	40219	HYDRAULIC OIL TANK	1						
15	40236	ACCESS PLATE	1			27547	SERVICE KIT - INCLUDES ITEMS 53 & 54	A.R.	
16	40288	CROSS	1		53		POPPET	1	
17	40290	CROSS	1		54		PISTON RING	1	
18	40320	OIL FILTER - INCLUDES ITEM 1	1			27551	SEAL KIT - INCLUDES ITEMS 55 TO 58	A.R.	
19	40425	GASKET	1		55		O RING	1	
20	40505	TUBE	1		56		O RING	1	
21	40506	TUBE	1		57		O RING	1	
22	40975	CLAMP	A.R.		58		BACK-UP RING	1	
23	12A-228	O RING	1	AS REQ'D	59	27552	SPRING	1	
24	22A-200	CLAMP	4		60	60067	SHIM - .010" (0,25mm) THICK	A.R.	
25	108B-2420	CONNECTOR	3		61	50066	SHIM - .020" (0,51mm) THICK	A.R.	
26	108C-2424	CONNECTOR	1		62	50065	SHIM - .040" (1,02mm) THICK	A.R.	
27	110E-08	CAP	1		63		CAP	1	
28	110E-12	CAP	1		64		BODY	1	
29	110R-1212	CONNECTOR	4		65		HYDRAULIC PUMP	REF.	SECTION 4 PAGES 1/2
30	110AH-2012	ADAPTER	A.R.		66		MANIFOLD VALVE ASSEMBLY	REF.	SECTION 4 PAGES 7/8
31	110AH-2016	ADAPTER	A.R.						
32	110AH-2420	ADAPTER	A.R.						
33	111A-1212	CONNECTOR	2						
34	111B-2420	CONNECTOR	1						
35	111E-1212	CONNECTOR	2						
36	111H-12	PLUG	2						
37	111M-0810	CONNECTOR	2						
38	112B-1212	CONNECTOR	2						
39	115D-02	PLUG	2						
40	115E-08	PLUG	A.R.						
41	115J-2424	ELBOW	2						
42	115Z-2420	NIPPLE	2						

EFFECTIVE SERIAL NUMBERS 16224, 16245 TO 16797
 NUMEROSI DE SERIE EFFECTIFS(S)
 NUMEROSI DE SERIE EFFECTIVOS(S)
 U.S. 2021-2 TO 2419-2

700 SERIES
 SERIE 700

SECTION 4
 SECCION 4
 PAGE 13
 PAGINA 13



USE ONLY CHAMPION ROAD MACHINERY APPROVED PARTS

FOR LIST OF PARTS - TURN THIS PAGE

POUR LA LISTE DES PIÈCES - VOIR AU VERSO

PARA LA LISTA DE LAS PIEZAS - VER AL VERSO

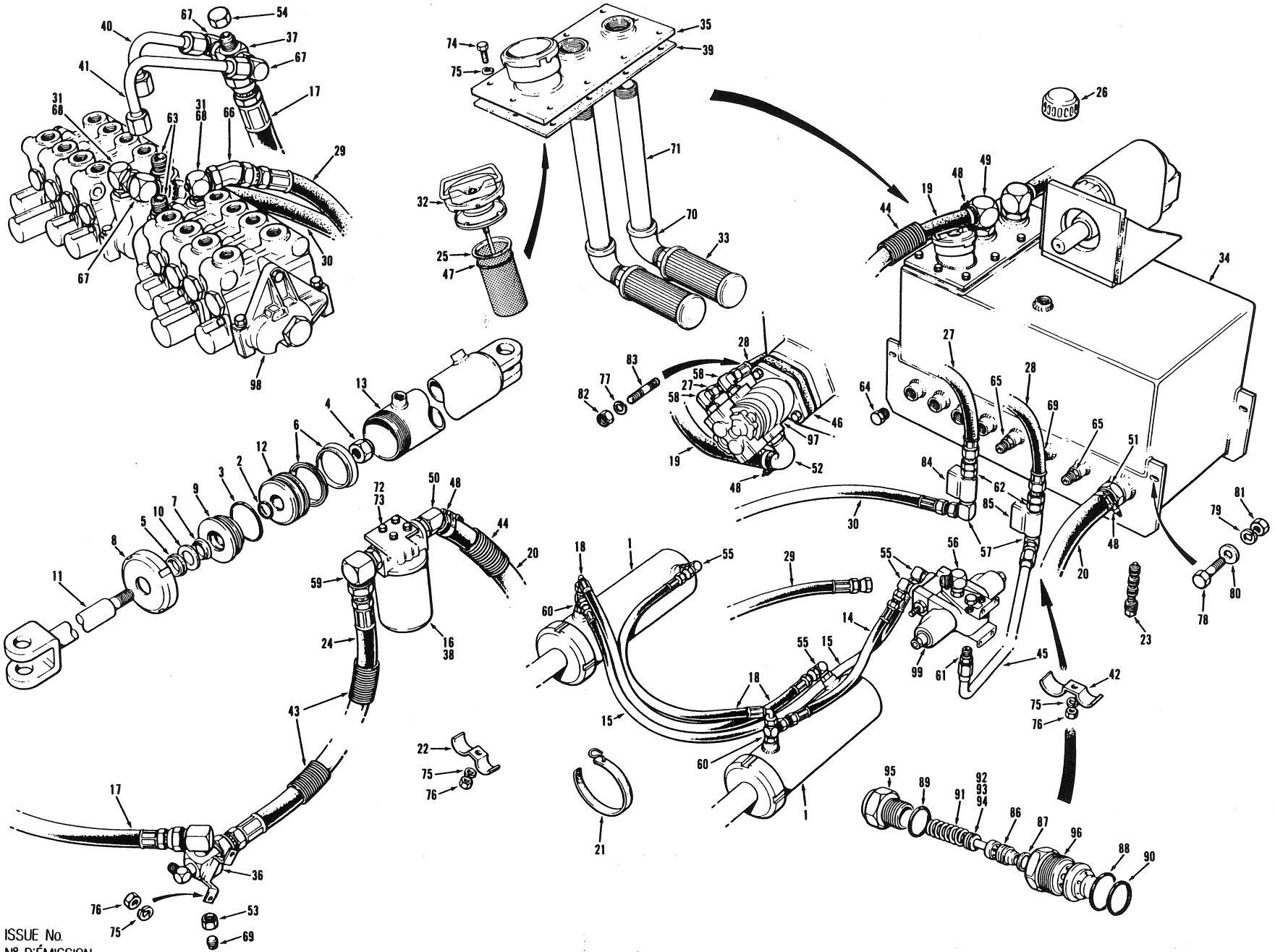
NOVEMBER 1985

SECTION SECCION 4		PAGE PAGINA 14		ISSUE No. N° D'ÉMISSION N° DE EDICION 1 REVISION A		PRIMARY HYDRAULIC CIRCUIT - MODEL 710A			NOVEMBER 1985	
No. N° N°	PART No. N° DE PIÉCE N° DE PIEZA	DESCRIPTION DÉSCRIPTION DESCRIPCION	No. REQ N° REQ. N° REQ.	REMARKS REMARQUES NOTAS	No. N° N°	PART No. N° DE PIECE N° DE PIEZA	DESCRIPTION DÉSCRIPTION DESCRIPCION	No. REQ N° REQ. N° REQ.	REMARKS REMARQUES NOTAS	
1	33701	ARTICULATION CYLINDER ASSEMBLY - R.H. - INCLUDES ITEMS 3 TO 13 & 15	1		49	110R-1212	CONNECTOR	4		
2	33702	ARTICULATION CYLINDER ASSEMBLY - L.H. - INCLUDES ITEMS 3 TO 12,14 & 15	1		50	110AH-2012	ADAPTER	A.R.		
3	12A-218	O RING	1		51	110AH-2016	ADAPTER	A.R.		
4	12A-342	O RING	1		52	110AH-2420	ADAPTER	A.R.		
5	37D-20	LOCKNUT	1		53	111A-1212	CONNECTOR	2		
6	12035	WIPER RING	1		54	111B-0808	CONNECTOR	4		
7	12036	PISTON SEAL	2		55	111B-1208	CONNECTOR	1		
8	12037	ROD SEAL	1		56	111B-2420	CONNECTOR	1		
9	17608	CYLINDER NUT	1		57	111D-0808	TEE	2		
10	17610	GLAND	1		58	111E-1208	CONNECTOR	1		
11	17614	WASHER	1		59	111E-1212	CONNECTOR	2		
12	23978	PISTON ROD	1		60	111H-12	PLUG	2		
13	33703	CYLINDER BARREL - R.H.	1		61	111M-0810	CONNECTOR	2		
14	33704	CYLINDER BARREL - L.H.	1		62	112B-1212	CONNECTOR	3		
15	34471	PISTON	1		63	115D-02	PLUG	2		
	26409	REPAIR KIT FOR 33701 & 33702 CYL. ASSY. - INCLUDES ITEMS 3 TO 8 & 11	A.R.		64	115E-08	PLUG	A.R.		
16	9313 X 28	HOSE	1		65	115J-2424	ELBOW	2		
17	9313 X 53.5	HOSE	1		66	115Z-2420	NIPPLE	2		
18	13028	FILTER ELEMENT - INCLUDES GASKET	1		67	50A-0508	BOLT	4		
19	14379 X 90	HOSE	1		68	14A-05	LOCKWASHER	4		
20	14382 X 36	HOSE	2		69	50A-0608	BOLT	10		
21	17156 X 8.5	HOSE	1		70	14A-06	LOCKWASHER	A.R.		
22	17156 X 80	HOSE	1		71	30A-06	NUT	A.R.		
23	27449	MAGNETIC PLUG	1		72	50A-1016	BOLT	4		
24	27739 X 109	HOSE	1		73	14A-10	LOCKWASHER	4		
25	28008	STRAINER - INCLUDES ITEM 43	1		74	14C-10	FLATWASHER	4		
26	28081	AIR BREATHER	1		75	30A-10	NUT	4		
27	28485 X 28	HOSE	1				<u>RELIEF VALVE ASSEMBLY</u>			
28	28485 X 188	HOSE	1		76	27942	RELIEF VALVE ASSY. - INCLUDES ITEMS 77 TO 88	2		
29	28485 X 212	HOSE	1			27547	SERVICE KIT - INCLUDES ITEMS 77 & 78	A.R.		
30	28696 X 36	HOSE	2		77		POPPET	1		
31	32589	CONNECTOR - INCLUDES ITEM 63	2		78		PISTON RING	1		
32	32667	FILLER CAP - INCLUDES DIPSTICK	1			27551	SEAL KIT - INCLUDES ITEMS 79 TO 82	A.R.		
33	32668	STRAINER	2		79		O RING	1		
34	40219	HYDRAULIC OIL TANK	1		80		O RING	1		
35	40236	ACCESS PLATE	1		81		O RING	1		
36	40288	CROSS	1		82		BACK-UP RING	1		
37	40290	CROSS	1		83	27552	SPRING	1		
38	40320	OIL FILTER - INCLUDES ITEM 18	1		84	50067	SHIM - .010" (0,25mm) THICK	A.R.		
39	40425	GASKET	1		85	50066	SHIM - .020" (0,51mm) THICK	A.R.		
40	40505	TUBE	1		86	50065	SHIM - .040" (1,02mm) THICK	A.R.		
41	40506	TUBE	1		87		CAP	1		
42	40975	CLAMP	A.R.		88		BODY	1		
43	12A-228	O RING	1		89		HYDRAULIC PUMP	REF.	SECTION 4	
44	22A-200	CLAMP	4		90		MANIFOLD VALVE ASSEMBLY	REF.	PAGES 1/2 SECTION 4	
45	108B-2420	CONNECTOR	3		91		SOLENOID VALVE ASSEMBLY	REF.	PAGES 7/8 SECTION 4	
46	108C-2424	CONNECTOR	1						PAGES 33/34	
47	110E-08	CAP	1							
48	110E-12	CAP	1							

EFFECTIVE SERIAL NUMBERS) 16798 & UP
 NUMEROS) DE SERIE EFFECTIFS)
 NUMEROS) DE SERIE EFFECTIVOS)
 U.S. 2420-2 & UP

700 SERIES
 SERIE 700

SECTION 4 PAGE 13
 SECCION 4 PAGINA 13



ISSUE No.
 N° D'ÉMISSION
 N° DE EDICION 2

PRIMARY HYDRAULIC CIRCUIT- MODEL 710A

OCTOBER 1985

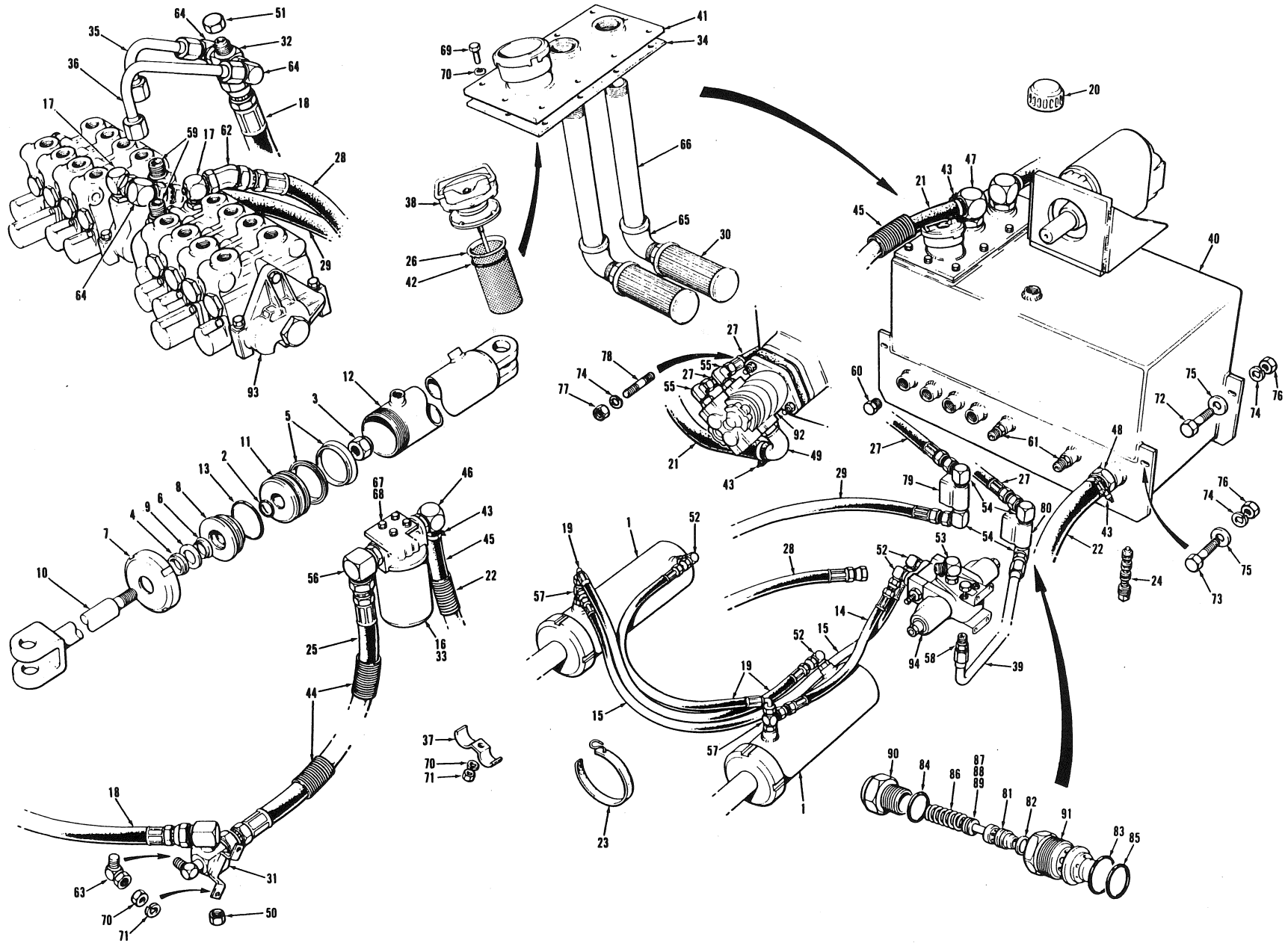
FOR LIST OF PARTS - TURN THIS PAGE

POUR LA LISTE DES PIÈCES - VOIR AU VERSO

PARA LA LISTA DE LAS PIEZAS - VER AL VERSO

USE ONLY CHAMPION ROAD MACHINERY APPROVED PARTS

SECTION SECCION		PAGE PAGINA		ISSUE No. N° D'ÉMISSION N° DE EDICION		PRIMARY HYDRAULIC CIRCUIT - MODEL 710A				OCTOBER 1985	
No. N°	PART No. N° DE PIÈCE N° DE PIEZA	DESCRIPTION DESCRIPTION DESCRIPCION	No. REQ. N° REQ. N° REQ.	REMARKS REMARQUES NOTAS	No. N°	PART No. N° DE PIÈCE N° DE PIEZA	DESCRIPTION DESCRIPTION DESCRIPCION	No. REQ. N° REQ. N° REQ.	REMARKS REMARQUES NOTAS		
1	41926	ARTICULATION CYLINDER ASSEMBLY INCLUDES ITEMS 2 TO 13	2		55	111B-0808	CONNECTOR	4			
2	12A-218	O RING	1		56	111B-1208	CONNECTOR	1			
3	12A-342	O RING	1		57	111B-1210	CONNECTOR	2			
4	37N-20	LOCKNUT	1		58	111B-1212	CONNECTOR	2			
5	12035	WIPER RING	1		59	111B-2420	CONNECTOR	1			
6	12036	PISTON SEAL	2		60	111D-0808	TEE	2			
7	12037	ROD SEAL	1		61	111E-1208	CONNECTOR	1			
8	13007	CYLINDER NUT	1		62	111E-1210	CONNECTOR	2			
9	17610	GLAND	1		63	111E-1212	CONNECTOR	2			
10	17614	WASHER	1		64	111H-12	PLUG	A.R.			
11	23978	PISTON ROD	1		65	111P-1010	CONNECTOR	2			
12	34471	PISTON	1		66	112A-12	CONNECTOR	1			
13	41927	CYLINDER BARREL	1		67	112B-12	CONNECTOR	3			
	42988	REPAIR KIT FOR 41926 CYL. ASSY. - INCLUDES ITEMS 2 TO 6 & 10	A.R.		68	115D-02	PLUG	2			
					69	115E-08	PLUG	1			
					70	115J-2424	ELBOW	2			
					71	115Z-2420	NIPPLE	2			
14	9313 X 28	HOSE	1		72	50A-0508	BOLT	4			
15	9313 X 53.5	HOSE	1		73	14A-05	LOCKWASHER	4			
16	13028	FILTER ELEMENT - INCLUDES GASKET	1		74	50A-0608	BOLT	10			
17	14379 X 90	HOSE	1		75	14A-06	LOCKWASHER	A.R.			
18	14382 X 36	HOSE	2		76	30A-06	NUT	A.R.			
19	17156 X 24	HOSE	1		77	14A-08	LOCKWASHER	2			
20	17156 X 67	HOSE	1		78	50A-1016	BOLT	4			
21	19588	STRAP	2		79	14A-10	LOCKWASHER	4			
22	24787	CLAMP	1		80	14C-10	FLATWASHER	4			
23	27449	MAGNETIC PLUG	1		81	30A-10	NUT	4			
24	27739 X 109	HOSE	1		82	330A-12	NUT	2			
25	28008	STRAINER - INCLUDES ITEMS 47	1		83	354E-12090	STUD	2			
26	28081	AIR BREATHER	1								
27	28485 X 42	HOSE	1								
28	28485 X 47	HOSE	1								
29	28485 X 188	HOSE	1								
30	28485 X 212	HOSE	1								
31	32589	CONNECTOR C/W ITEM 68	2		84	40503	RELIEF VALVE ASSY. - INCLUDES ITEMS 86 TO 96	1			
32	42167	FILLER CAP - INCLUDES DIPSTICK	1		85	40504	RELIEF VALVE ASSY. - INCLUDES ITEMS 86 TO 96	1			
33	32668	STRAINER	2			27547	SERVICE KIT - INCLUDES ITEMS 86 & 87	A.R.			
34	40219	HYDRAULIC OIL TANK	1		86		POPPET	1			
35	40236	ACCESS PLATE	1		87		PISTON RING	1			
36	40288	MALE CROSS	1			27551	SEAL KIT - INCLUDES ITEMS 88 TO 90				
37	40290	MALE CROSS	1		88		O RING	1			
38	40320	OIL FILTER - C/W ITEM 16	1		89		O RING	1			
39	40425	GASKET	1		90		O RING	1			
40	40505	TUBE	1		91	27552	SPRING	1			
41	40506	TUBE	1		92	50067	SHIM - .010" (0,25mm) THICK	A.R.			
42	40975	CLAMP	A.R.		93	50066	SHIM - .020" (0,51mm) THICK	A.R.			
43	41648 X 6	HOSE PROTECTOR	2		94	50065	SHIM - .040" (1,02mm) THICK	A.R.			
44	41715 X 6	HOSE PROTECTOR	2		95		CAP	1			
45	42292	TUBE	1		96		BODY	1			
46	42794	GASKET	1		97		HYDRAULIC PUMP	REF.	SECTION 4		
47	12A-228	O RING	1	AS REQ'D	98		MANIFOLD VALVE ASSEMBLY	REF.	PAGE 1/2		
48	22A-200	CLAMP	4		99		SOLENOID VALVE ASSEMBLY	REF.	SECTION 4		
49	10BA-2424	CONNECTOR	1						PAGE 7/8		
50	10BB-2420	CONNECTOR	2						SECTION 4		
51	10BC-2424	CONNECTOR	1						PAGE 33/34		
52	10BG-2420	CONNECTOR	1								
53	110E-08	CAP	1								
54	110E-12	CAP	1								



ISSUE No.
 N° D'ÉMISSION
 N° DE EDICION 3

PRIMARY HYDRAULIC CIRCUIT - MODEL 710A

SEPTEMBER 1986

FOR LIST OF PARTS - TURN THIS PAGE

POUR LA LISTE DES PIÈCES - VOIR AU VERSO

PARA LA LISTA DE LAS PIEZAS - VER AL VERSO

EFFECTIVE SERIAL NUMBER(S) 17376,17377,17378,17382
 NUMÉRO(S) DE SÉRIE EFFECTIF(S) & UP
 NUMERO(S) DE SERIE EFECTIVO(S)
 U.S. 2572-2 & UP

700 SERIES
 SERIE 700

SECTION 4 PAGE 13
 SECCION 4 PAGINA 13

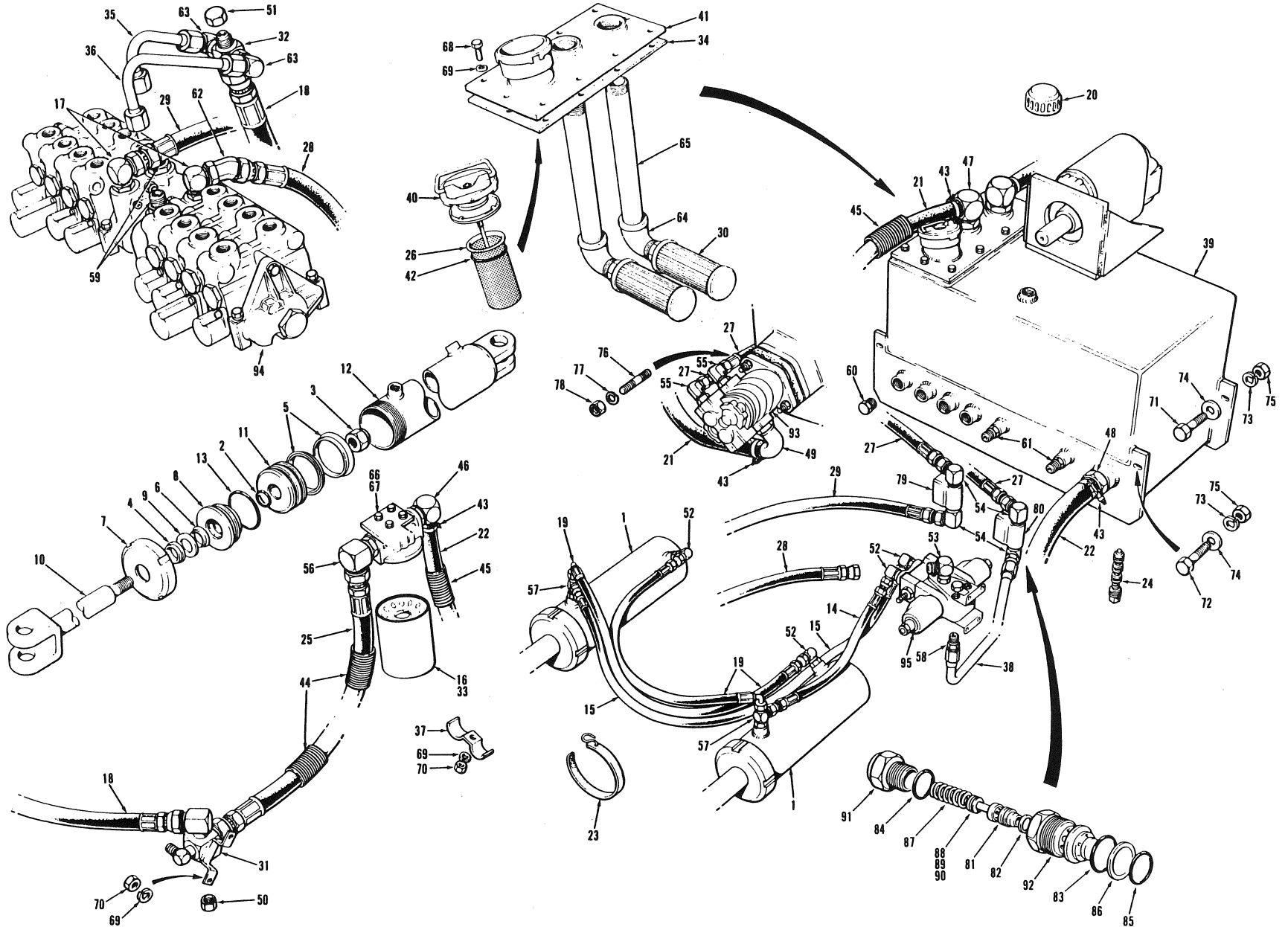
USE ONLY CHAMPION ROAD MACHINERY APPROVED PARTS

SECTION SECCION	PAGE PAGINA	ISSUE No. N° D'ÉMISSION N° DE EDICION	PRIMARY HYDRAULIC CIRCUIT - MODEL 710A				SEPTEMBER 1986		
No. N° N°	PART No. N° DE PIÈCE N° DE PIEZA	DESCRIPTION DÉSCRIPTION DESCRIPCION	No. REQ. N° REQ. N° REQ.	REMARKS REMARQUES NOTAS	No. N° N°	PART No. N° DE PIECE N° DE PIEZA	DESCRIPTION DÉSCRIPTION DESCRIPCION	No. REQ. N° REQ. N° REQ.	REMARKS REMARQUES NOTAS
1	41926	ARTICULATION CYL. ASSY. - INCLUDES 2 TO 13	2		50	110E-08	CAP	1	
2	12A-218	O RING	1		51	110E-12	CAP	1	
3	37N-20	LOCKNUT	1		52	111B-0808	CONNECTOR	4	
4	12035	WIPER RING	1		53	111B-1208	CONNECTOR	1	
5	12036	PISTON SEAL	2		54	111B-1210	CONNECTOR	4	
6	12037	ROD SEAL	1		55	111B-1212	CONNECTOR	2	
7	17608	CYLINDER NUT	1		56	111B-2420	CONNECTOR	1	
8	17610	GLAND	1		57	111D-0808	TEE	2	
9	17614	WASHER	1		58	111E-1208	CONNECTOR	1	
10	23978	PISTON ROD	1		59	112E-1212	CONNECTOR	2	
11	34471	PISTON	1		60	111H-12	PLUG	3	
12	41927	CYLINDER BARREL	1		61	111P-1010	CONNECTOR	2	
13	44244	O RING	1		62	112A-12	CONNECTOR	1	
	26409	REPAIR KIT FOR 41926 CYL. ASSY. INCLUDES ITEMS - 2 TO 6 ,9 & 13			63	112B-08	CONNECTOR	1	
14	9313 X 28	HOSE	1		64	112B-12	CONNECTOR	3	
15	9313 X 53.5	HOSE	1		65	115J-2424	ELBOW	2	
16	13028	FILTER ELEMENT - INCLUDES GASKET	1		66	115Z-2420	NIPPLE	2	
17	*14292	CONNECTOR	2		67	50A-0508	BOLT	4	
18	14379 X 90	HOSE	1		68	14A-05	LOCKWASHER	4	
19	14382 X 36	HOSE	2		69	50A-0610	BOLT	10	
20	16894	AIR BREATHER	1		70	14A-06	LOCKWASHER	15	
21	17156 X 24	HOSE	1		71	30A-06	NUT	7	
22	17156 X 67	HOSE	1		72	50A-1016	BOLT	2	
23	19588	TARP STRAP	2		73	50A-1018	BOLT	2	
24	27449	MAGNETIC PLUG	1		74	14A-10	LOCKWASHER	6	
25	27739 X 109	HOSE	1		75	14C-10	FLATWASHER	4	
26	28008	STRAINER - INCLUDES ITEM 43	1		76	30A-10	NUT	4	
27	28485 X 42	HOSE	2		77	330A-12	NUT	2	
28	28485 X 188	HOSE	1		78	354E-12090	STUD	2	
29	28485 X 212	HOSE	1				RELIEF VALVE ASSEMBLY		
30	32668	STRAINER	2		79	40503	RELIEF VALVE ASSY. - INCLUDES ITEMS 81 TO 91	1	
31	40288	CROSS	1						
32	40290	CROSS	1		80	40504	RELIEF VALVE ASSY. - INCLUDES ITEMS 81 TO 91	1	
33	40320	OIL FILTER - INCLUDES ITEM 16	1			27547	SERVICE KIT - INCLUDES ITEMS 81 & 82	A.R.	
34	40425	GASKET	1				POPPET	1	
35	40505	TUBE	1		81		PISTON RING	1	
36	40506	TUBE	1		82	27551	SEAL KIT - INCLUDES ITEMS 83 TO 85	A.R.	
37	40854	CLAMP	3				O RING	1	
38	42167	FILLER CAP - INCLUDES DIPSTICK	1		83		O RING	1	
39	42292	TUBE	1		84		O RING	1	
40	*43816	HYDRAULIC OIL TANK	1		85		O RING	1	
41	*43817	ACCESS PLATE	1		86	27552	SPRING	1	
42	12A-228	O RING	1		87	50067	SHIM - .010"(0.25mm) THICK	A.R.	
43	22A-200	CLAMP	4		88	50066	SHIM - .020"(0.51mm) THICK	A.R.	
44	41648 X 6	HOSE PROTECTOR	2		89	50065	SHIM - .040"(1.02mm) THICK	A.R.	
45	41715 X 6	HOSE PROTECTOR	2		90		CAP	1	
46	108A-2420	CONNECTOR	1		91		BODY	1	
47	108A-2424	CONNECTOR	1		92		HYDRAULIC PUMP	REF.	SECTION 4
48	108C-2424	CONNECTOR	1		93		MANIFOLD VALVE ASSEMBLY	REF.	SECTION 4
49	108G-2420	CONNECTOR	1		94		SOLENOID VALVE ASSEMBLY	REF.	PAGE 8 SECTION 4 PAGE 34

EFFECTIVE SERIAL NUMBER(S) 17934 & UP
 NUMEROSIS DE SERIE EFFECTIF(S)
 NUMEROSIS DE SERIE EFFECTIVO(S)

700 SERIES
 SERIE 700

SECTION 4 PAGE 13
 SECCION 4 PAGINA 13



ISSUE No.
 N° D'ÉMISSION
 N° DE EDICION 4

PRIMARY HYDRAULIC CIRCUIT - MODEL 710A

AUGUST 1987

FOR LIST OF PARTS - TURN THIS PAGE

POUR LA LISTE DES PIÈCES - VOIR AU VERSO

PARA LA LISTA DE LAS PIEZAS - VER AL VERSO

USE ONLY CHAMPION APPROVED PARTS

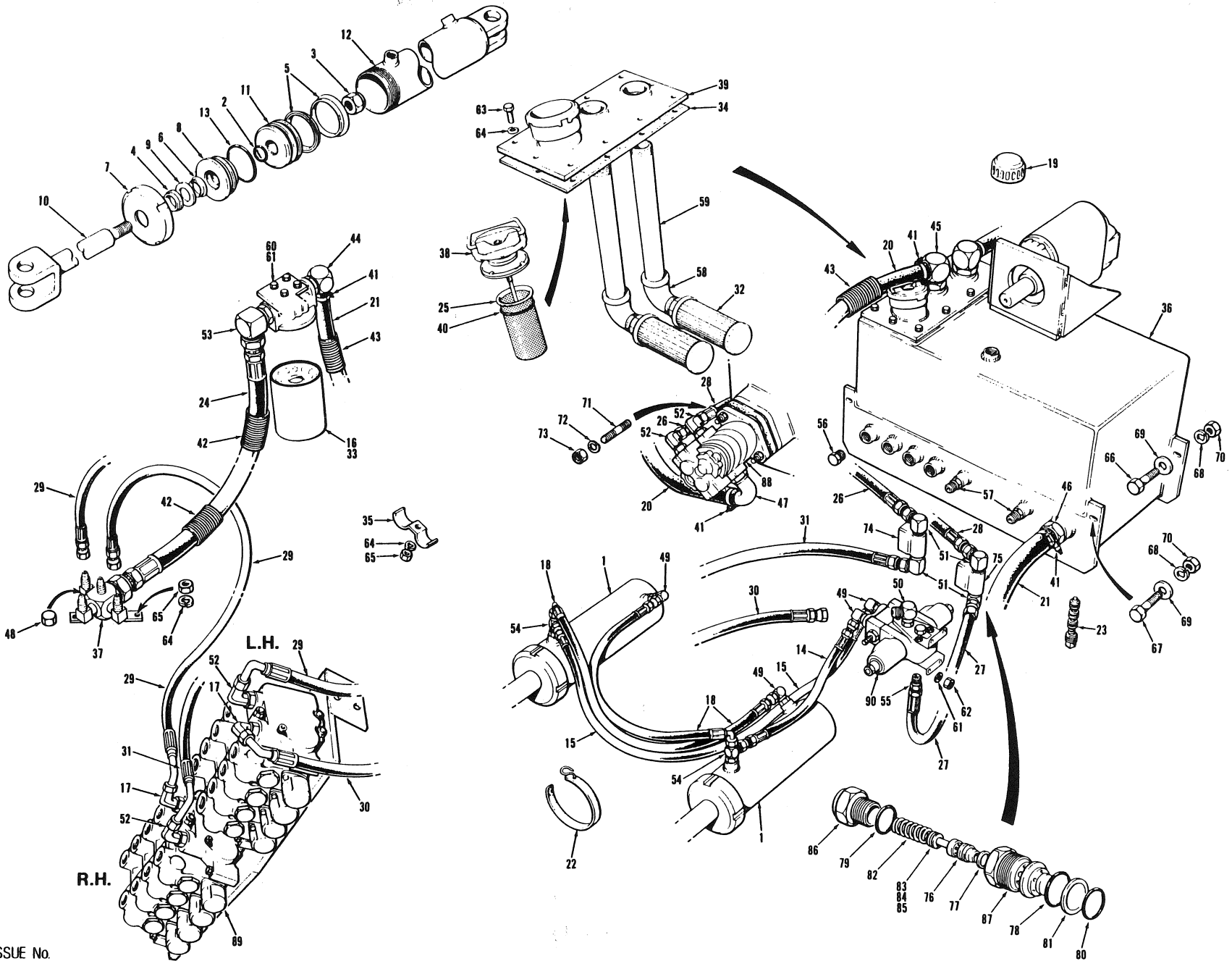


SECTION SECCION 4		PAGE PAGINA 14	ISSUE No. N° D'ÉMISSION N° DE EDICION 4	PRIMARY HYDRAULIC CIRCUIT - MODEL 710A				AUGUST 1987	
No. N° N°	PART No. N° DE PIÈCE N° DE PIEZA	DESCRIPTION DÉSCRIPTION DESCRIPCION	No. REQ N° REQ. N° REQ.	REMARKS REMARQUES NOTAS	No. N° N°	PART No. N° DE PIÈCE N° DE PIEZA	DESCRIPTION DÉSCRIPTION DESCRIPCION	No. REQ N° REQ. N° REQ.	REMARKS REMARQUES NOTAS
1	41926	ARTICULATION CYL. ASSY. - INCLUDES 2 TO 13	2		50	110E-08	CAP	1	
2	12A-218	O RING	1		51	110E-12	CAP	1	
3	37N-20	LOCKNUT	1		52	111B-0808	CONNECTOR	4	
4	12035	WIPER RING	1		53	111B-1208	CONNECTOR	1	
5	12036	PISTON SEAL	2		54	111B-1210	CONNECTOR	4	
6	12037	ROD SEAL	1		55	111B-1212	CONNECTOR	2	
7	17608	CYLINDER NUT	1		56	111B-2420	CONNECTOR	1	
8	17610	GLAND	1		57	111D-0808	TEE	2	
9	17614	WASHER	1		58	111E-1208	CONNECTOR	1	
10	23978	PISTON ROD	1		59	112E-1212	CONNECTOR	2	
11	34471	PISTON	1		60	111H-12	PLUG	3	
12	41927	CYLINDER BARREL	1		61	111P-10	CONNECTOR	2	
13	44244	O RING	1		62	112A-12	CONNECTOR	1	
	26409	REPAIR KIT FOR 41926 CYL. ASSY. INCLUDES ITEMS - 2 TO 6 , 9 & 13	1		63	112B-12	CONNECTOR	3	
14	9313 X 28	HOSE	1		64	115J-2424	ELBOW	2	
15	9313 X 53.5	HOSE	1		65	115Z-2420	NIPPLE	2	
16	13028	FILTER ELEMENT - INCLUDES GASKET	1		66	50A-0508	BOLT	4	
17	14292	CONNECTOR	2		67	14A-05	LOCKWASHER	4	
18	14379 X 90	HOSE	1		68	50A-0610	BOLT	10	
19	14382 X 36	HOSE	2		69	14A-06	LOCKWASHER	15	
20	16894	AIR BREATHER	1		70	30A-06	NUT	7	
21	17156 X 24	HOSE	1		71	50A-1016	BOLT	2	
22	17156 X 67	HOSE	1		72	50A-1018	BOLT	2	
23	19588	TARP STRAP	2		73	14A-10	LOCKWASHER	6	
24	27449	MAGNETIC PLUG	1		74	14C-10	FLATWASHER	4	
25	27739 X 109	HOSE	1		75	30A-10	NUT	4	
26	28008	STRAINER - INCLUDES ITEM 42	1		76	354A-12075	STUD	2	
27	28485 X 42	HOSE	2		77	*314A-12	LOCKWASHER	2	
28	28485 X 188	HOSE	1		78	330A-12	NUT	2	
29	28485 X 212	HOSE	1				RELIEF VALVE ASSEMBLY		
30	32668	STRAINER	2		79	40503	RELIEF VALVE ASSY. - INCL. ITEMS 81 TO 92	1	
31	40288	CROSS	1		80	40504	RELIEF VALVE ASSY. - INCL. ITEMS 81 TO 92	1	
32	40290	CROSS	1			27547	SERVICE KIT - INCLUDES ITEMS 81 & 82	A.R.	
33	40320	OIL FILTER - INCLUDES ITEM 16	1		81		POPPET	1	
34	40425	GASKET	1		82		PISTON RING	1	
35	40505	TUBE	1			*45549	SEAL KIT - INCLUDES ITEMS 83 TO 86	A.R.	
36	40506	TUBE	1		83		O RING	1	
37	40854	CLAMP	3		84		O RING	1	
38	42292	TUBE	1		85		O RING	1	
39	*45356	HYDRAULIC OIL TANK	1		86		BACK UP WASHER	1	
40	*44672	FILLER CAP - INCLUDES DIPSTICK	1		87	27552	SPRING	1	
41	*50043	ACCESS PLATE	1		88	50067	SHIM - .010"(0.25mm) THICK	A.R.	
42	12A-228	O RING	1		89	50066	SHIM - .020"(0.51mm) THICK	A.R.	
43	22A-200	CLAMP	4		90	50065	SHIM - .040"(1.02mm) THICK	A.R.	
44	41648 X 6	HOSE PROTECTOR	2		91		CAP	1	
45	41715 X 6	HOSE PROTECTOR	2		92		BODY	1	
46	108A-2420	CONNECTOR	1		93		HYDRAULIC PUMP	REF.	SECTION 4
47	108A-2424	CONNECTOR	1		94		MANIFOLD VALVE ASSEMBLY	REF.	PAGE 2 SECTION 4
48	108C-2424	CONNECTOR	1		95		SOLENOID VALVE ASSEMBLY	REF.	PAGE 8 SECTION 4
49	108G-2420	CONNECTOR	1						PAGE 34

EFFECTIVE SERIAL NUMBERS) 18578, 18590, 18592 & UP
 NUMEROS) DE SÉRIE EFFECTIFS)
 NUMEROS) DE SERIE EFECTIVOS)

700 SERIES
 SERIE 700

SECTION 4 PAGE 13
 SECCION 4 PAGINA 13



ISSUE No.
 N° D'ÉMISSION
 N° DE EDICION 5

PRIMARY HYDRAULIC CIRCUIT - MODEL 710A

FEBRUARY 1988

FOR LIST OF PARTS - TURN THIS PAGE POUR LA LISTE DES PIÈCES - VOIR AU VERSO PARA LA LISTA DE LAS PIEZAS - VER AL VERSO

USE ONLY CHAMPION ROAD MACHINERY APPROVED PARTS

SECTION SECCION 4		PAGE PAGINA 14	ISSUE No. N° D'ÉMISSION 5 N° DE EDICION	PRIMARY HYDRAULIC CIRCUIT - MODEL 710A				FEBRUARY 1988	
No. N° N°	PART No. N° DE PIÈCE N° DE PIEZA	DESCRIPTION DÉSCRIPTION DESCRIPCION	No. REQ. N° REQ. N° REQ.	REMARKS REMARQUES NOTAS	No. N° N°	PART No. N° DE PIECE N° DE PIEZA	DESCRIPTION DÉSCRIPTION DESCRIPCION	No. REQ. N° REQ. N° REQ.	REMARKS REMARQUES NOTAS
1	41926	ARTICULATION CYL. ASSY. - INCLUDES 2 TO 13	2		48	110E-12	CAP	1	
2	12A-218	O RING	1		49	111B-0808	CONNECTOR	4	
3	37N-20	LOCKNUT	1		50	111B-1208	CONNECTOR	1	
4	12035	WIPER RING	1		51	111B-1210	CONNECTOR	4	
5	12036	PISTON SEAL	2		52	111B-1212	CONNECTOR	2	
6	12037	ROD SEAL	1		53	111B-2420	CONNECTOR	1	
7	17608	CYLINDER NUT	1		54	111D-0808	TEE	2	
8	17610	GLAND	1		55	111E-1208	CONNECTOR	1	
9	17614	WASHER	1		56	111H-12	PLUG	3	
10	23978	PISTON ROD	1		57	111P-10	CONNECTOR	2	
11	34471	PISTON	1		58	115J-2424	ELBOW	2	
12	41927	CYLINDER BARREL	1		59	115Z-2420	NIPPLE	2	
13	44244	O RING	1		60	50A-0508	BOLT	4	
	26409	REPAIR KIT FOR 41926 CYL. ASSY. INCLUDES ITEMS - 2 TO 6, 9 & 13			61	14A-05	LOCKWASHER	4	
14	9313 X 28	HOSE	1		62	*30A-05	NUT	4	
15	9313 X 53.5	HOSE	1		63	50A-0610	BOLT	10	
16	13028	FILTER ELEMENT - INCLUDES GASKET	1		64	14A-06	LOCKWASHER	15	
17	14292	CONNECTOR	2		65	30A-06	NUT	5	
18	14382 X 36	HOSE	2		66	50A-1016	BOLT	2	
19	16894	AIR BREATHER	1		67	50A-1018	BOLT	2	
20	17156 X 26	HOSE	1		68	14A-10	LOCKWASHER	6	
21	17156 X 67	HOSE	1		69	14C-10	FLATWASHER	4	
22	19588	TARP STRAP	2		70	30A-10	NUT	4	
23	27449	MAGNETIC PLUG	1		71	354A-12075	STUD	2	
24	27739 X 109	HOSE	1		72	314A-12	LOCKWASHER	2	
25	28008	STRAINER - INCLUDES ITEM 42	1		73	330A-12	NUT	2	
26	28485 X 42	HOSE	1				<u>RELIEF VALVE ASSEMBLY</u>		
27	*28485 X 28	HOSE	1		74	40503	RELIEF VALVE ASSY. - INCL. ITEMS 76 TO 87	1	
28	*28485 X 47	HOSE	1		75	40504	RELIEF VALVE ASSY. - INCL. ITEMS 76 TO 87	1	
29	*28696 X 24	HOSE	2			27547	SERVICE KIT - INCLUDES ITEMS 76 & 77	A.R.	
30	*28696 X 120	HOSE	1		76		POPPET	1	
31	*28696 X 140	HOSE	1		77		PISTON RING	1	
32	32668	STRAINER	2			45549	SEAL KIT - INCLUDES ITEMS 78 TO 81	A.R.	
33	40320	OIL FILTER - INCLUDES ITEM 16	1		78		O RING	1	
34	40425	GASKET	1		79		O RING	1	
35	40854	CLAMP	3		80		O RING	1	
36	45356	HYDRAULIC OIL TANK	1		81		BACK UP WASHER	1	
37	*45942	CROSS	1		82	27552	SPRING	1	
38	44672	FILLER CAP - INCLUDES DIPSTICK	1		83	50067	SHIM - .010" (0.25mm) THICK	A.R.	
39	50043	ACCESS PLATE	1		84	50066	SHIM - .020" (0.51mm) THICK	A.R.	
40	12A-228	O RING	1		85	50065	SHIM - .040" (1.02mm) THICK	A.R.	
41	22A-200	CLAMP	4		86		CAP	1	
42	41648 X 6	HOSE PROTECTOR	2		87		BODY	1	
43	41715 X 6	HOSE PROTECTOR	2		88		HYDRAULIC PUMP	REF.	SECTION 4 PAGE 2
44	108A-2420	CONNECTOR	1		89		MANIFOLD VALVE ASSEMBLY	REF.	SECTION 4 PAGE 8
45	108A-2424	CONNECTOR	1		90		SOLENOID VALVE ASSEMBLY	REF.	SECTION 4 PAGE 38
46	108C-2424	CONNECTOR	1						
47	108G-2420	CONNECTOR	1						

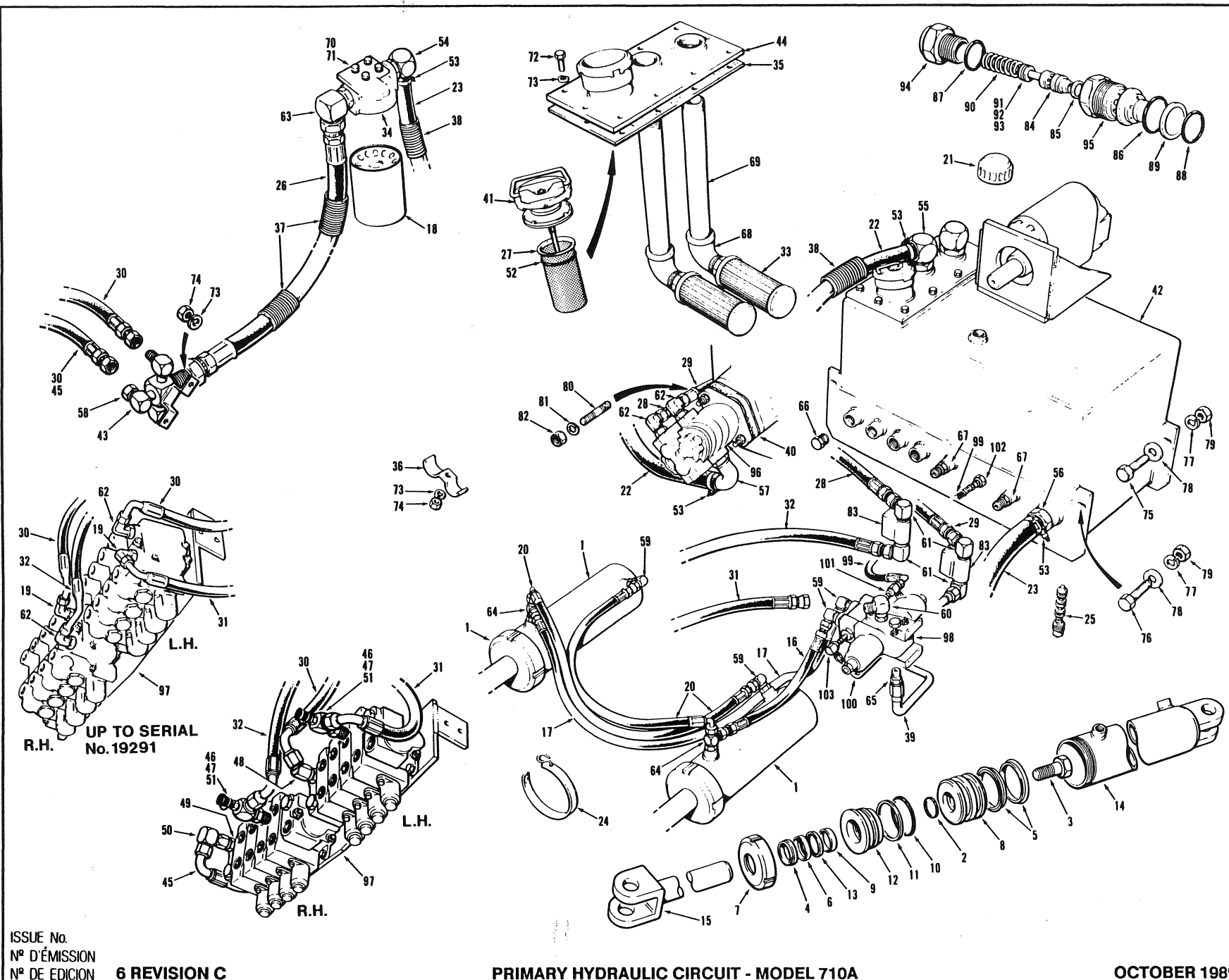
CHAMPION ROAD MACHINERY

EFFECTIVE SERIAL NUMBERS) 19061, 19062, 19103 to 20116
 NUMEROS) DE SERIE EFFECTIFS) EXCLUDING 20005 & 20104
 NUMEROS) DE SERIE EFFECTIVOS)

700 SERIES
 SERIE 700

SECTION 4
 SECCION 4

PAGE 13
 PAGINA 13



ISSUE No.
 N° D'ÉMISSION
 N° DE EDICION

6 REVISION C

PRIMARY HYDRAULIC CIRCUIT - MODEL 710A

OCTOBER 1989

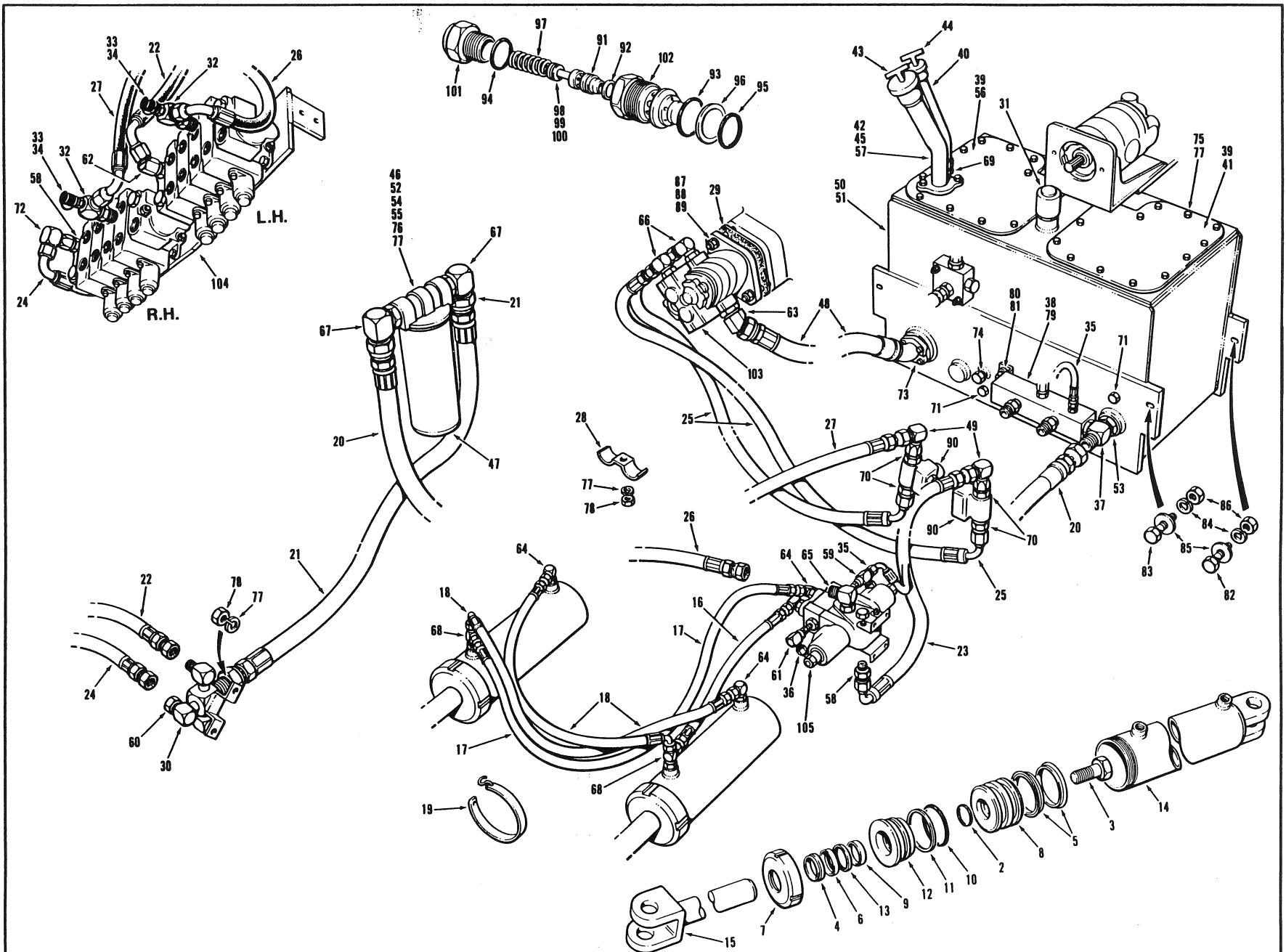
FOR LIST OF PARTS - TURN THIS PAGE

POUR LA LISTE DES PIÈCES - VOIR AU VERSO

PARA LA LISTA DE LAS PIEZAS - VER AL VERSO

USE ONLY CHAMPION ROAD MACHINERY APPROVED PARTS

SECTION SECCION		PAGE PAGINA	ISSUE No. N° D'ÉMISSION N° DE EDICION	6 REVISION C		PRIMARY HYDRAULIC CIRCUIT - MODEL 710A			OCTOBER 1989	
No. N° N°	PART No. N° DE PIÈCE N° DE PIEZA	DESCRIPTION DÉSCRIPTION DESCRIPCION	No. REQ. N° REQ. N° REQ.	REMARKS REMARQUES NOTAS	No. N° N°	PART No. N° DE PIECE N° DE PIEZA	DESCRIPTION DÉSCRIPTION DESCRIPCION	No. REQ. N° REQ. N° REQ.	REMARKS REMARQUES NOTAS	
1	46057	ARTICULATION CYLINDER ASSY. - INCLUDES ITEM 2 TO 15	2		54	108A-2420	CONNECTOR	1		
2	12A-224	O RING	1		55	108A-2424	CONNECTOR	1		
3	50A-1620	BOLT	1		56	108C-2424	CONNECTOR	1		
4	12035	WIPER RING	1		57	108G-2420	CONNECTOR	1		
5	12036	PISTON SEAL	2		58	110E-12	CAP	1		
6	10237	ROD SEAL	2		59	111B-0808	CONNECTOR	4		
7	17608	CYLINDER NUT	1		60	111B-1208	CONNECTOR	1		
8	42151	PISTON	1		61	111B-1210	CONNECTOR	4		
9	43074	WEAR RING	1		62	111B-1212	CONNECTOR	A.R.		
10	44244	O RING	1		63	111B-2420	CONNECTOR	1		
11	44266	BACK-UP RING	1		64	111D-0808	TEE	2		
12	45734	GLAND	1		65	111E-1208	CONNECTOR	1		
13	45890	BUFFER RING	1		66	111H-12	PLUG	3		
14	46058	CYLINDER BARREL	1		67	111P-10	CONNECTOR	2		
15	46322	PISTON ROD	1		68	115J-2424	ELBOW	2		
	48953	REPAIR KIT FOR 46057 CYLINDER ASSEMBLY - INCLUDES ITEMS 2 TO 6, 9 TO 11 & 13	A.R.		69	115Z-2420	NIPPLE	2		
16	9313X28	HOSE	1		70	50A-0508	BOLT	4		
17	9313X53.5	HOSE	1		71	14A-05	LOCKWASHER	4		
18	13028	FILTER ELEMENT - INCLUDES GASKET	1		72	50A-0610	BOLT	10		
19	14292	CONNECTOR	2	UP TO S/N 19291	73	14A-06	LOCKWASHER	15		
20	14382X36	HOSE	2		74	30A-06	NUT	5		
21	16894	AIR BREATHER	1		75	50A-1016	BOLT	2		
22	17156X26	HOSE	1		76	50A-1018	BOLT	2		
23	17156X67	HOSE	1		77	14A-10	LOCKWASHER	6		
24	19588	STRAP	3		78	14C-10	FLATWASHER	4		
25	27449	MAGNETIC PLUG	1		79	30A-10	NUT	4		
26	27739X109	HOSE	1		80	354E-12075	STUD	2		
27	28008	STRAINER - INCLUDES ITEM 52	1		81	314A-12	LOCKWASHER	2		
28	28485X42	HOSE	1		82	330A-12	NUT	2		
29	28485X47	HOSE	1		83	40504	RELIEF VALVE ASSEMBLY RELIEF VALVE ASSY. - INCLUDES ITEMS 84 TO 95	2		
30	28696X24	HOSE	1 or 2			27547	SERVICE KIT - INCLUDES ITEMS 84 & 85	A.R.		
31	28696X120	HOSE	1		84		POPPET	1		
32	28696X140	HOSE	1		85		PISTON RING	1		
33	32668	STRAINER	2			45549	SEAL KIT - INCLUDES ITEMS 86 TO 89	A.R.		
34	40320	OIL FILTER - INCLUDES ITEM 18	1		86		O RING	1		
35	40425	GASKET	1		87		O RING	1		
36	40854	CLAMP	3		88		O RING	1		
37	41648X6	HOSE PROTECTOR	2		89		BACK-UP WASHER	1		
38	41715X6	HOSE PROTECTOR	2		90	27552	SPRING	1		
39	42292	TUBE	1		91	50067	SHIM - .010" (0.25mm) THICK	A.R.		
40	42794	GASKET	1		92	50066	SHIM - .020" (0.51mm) THICK	A.R.		
41	44672	FILLER CAP - INCLUDES DIPSTICK	1		93	50065	SHIM - .040" (1.02mm) THICK	A.R.		
42	45356	HYDRAULIC OIL TANK	1		94		CAP	1		
43	45942	CROSS	1		95		BODY	1		
44	50043	ACCESS PLATE	1		96		HYDRAULIC PUMP	REF.	SECTION 4 PAGE 2	
45	28696X36	HOSE	1		97		MANIFOLD VALVE ASSEMBLY	REF.	SECTION 4 PAGE 8	
46	*49837	CONNECTOR	2		98		SOLENOID VALVE ASSEMBLY	REF.	SECTION 4 PAGE 38	
47	*51286	QUICK DISCONNECT COUPLING - MALE	2	S/N 19300 & UP						
	*51287	QUICK DISCONNECT COUPLING - FEMALE (FOR TESTING)	1							
48	111A-1210	CONNECTOR	1		99	*52086X36	HOSE	1		
49	111E-1210	CONNECTOR	1		100	*52987	TUBE	1		
50	112B-12	ELBOW	1		101	*110AE-0402	TEE	1		
51	*51288	CAP	2		102	*110G-0408	CONNECTOR	1		
52	12A-228	O RING	1		103	*110U-0402	ELBOW	1		
53	22A-200	CLAMP	4							



EFFECTIVE SERIAL NUMBERS: 19982, 19984, 19985, 19996,
 NUMEROS DE SERIE EFFECTIFS: 20005, 20104, 20106, 20120
 NUMEROS DE SERIE EFFECTIVOS & UP

700 SERIES
 SERIE 700

SECTION 4 PAGE 13
 SECTION 4 PAGINA 13

ISSUE No. 7
 N° D'ÉMISSION 7
 N° DE EDICION 7

PRIMARY HYDRAULIC CIRCUIT - MODEL 710A

AUGUST 1989

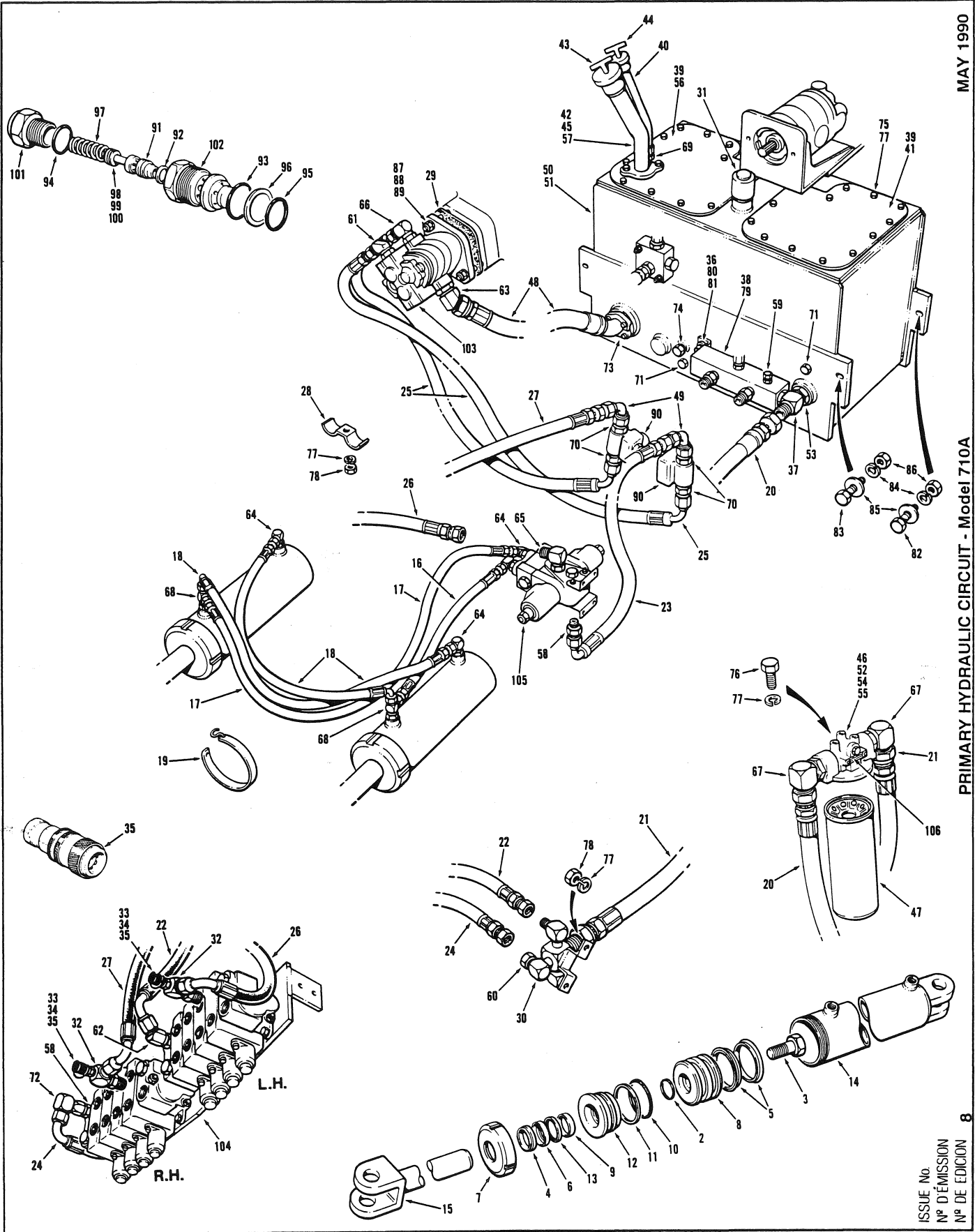
FOR LIST OF PARTS - TURN THIS PAGE

POUR LA LISTE DES PIÈCES - VOIR AU VERSO

PARA LA LISTA DE LAS PIEZAS - VER AL VERSO

USE ONLY CHAMPION FOLD MACHINERY APPROVED PARTS

SECTION SECCION		PAGE PAGINA		ISSUE No. N° D'ÉMISSION N° DE EDICION		PRIMARY HYDRAULIC CIRCUIT - MODEL 710A			AUGUST 1989	
No. N° N°	PART No. N° DE PIÈCE N° DE PIEZA	DESCRIPTION DÉSCRIPTION DESCRIPCION	No. REQ N° REQ. N° REQ.	REMARKS REMARQUES NOTAS	No. N° N°	PART No. N° DE PIECE N° DE PIEZA	DESCRIPTION DÉSCRIPTION DESCRIPCION	No. REQ N° REQ. N° REQ.	REMARKS REMARQUES NOTAS	
1	46057	ARTICULATION CYLINDER ASSEMBLY - INCLUDES ITEMS 2 TO 15	2		61	110U-0402	CONNECTOR	1		
2	12A-224	O-RING	1		62	111A-1210	CONNECTOR	1		
3	50A-1620	BOLT	1		63	*111A-2420	CONNECTOR	1		
4	12035	WIPER RING	1		64	111B-0808	CONNECTOR	4		
5	12036	PISTON SEAL	2		65	111B-1210	CONNECTOR	1		
6	12037	ROD SEAL	2		66	111B-1212	CONNECTOR	2		
7	17608	CYLINDER NUT	1		67	111B-2420	CONNECTOR	2		
8	42151	PISTON	1		68	111D-0808	TEE	2		
9	43074	WEAR RING	1		69	*111E-0808	CONNECTOR	1		
10	44244	O RING	1		70	*111E-1212	CONNECTOR	4		
11	44266	BACK-UP RING	1		71	*111H-08	PLUG	2		
12	45734	GLAND	1		72	112B-12	CONNECTOR	1		
13	45890	BUFFER RING	1		73	*114D-24	FLANGE - C/W O RING & HARDWARE	1		
14	46058	CYLINDER BARREL	1		74	*115C-08	PLUG	1		
15	46322	PISTON ROD	1		75	*50A-0608	BOLT	26		
	48953	REPAIR KIT FOR 46057 CYLINDER ASSEMBLY - INCLUDES ITEMS 2 TO 6, 9 TO 11 & 13	A.R.		76	*50A-0612	BOLT	3		
16	9313 X 28	HOSE	1		77	14A-06	LOCKWASHER	32		
17	9313 X 53.5	HOSE	1		78	30A-06	NUT	3		
18	14382 X 36	HOSE	2		79	*50A-0808	BOLT	1		
19	19588	STRAP	3		80	*14A-08	LOCKWASHER	1		
20	*27739 X 76	HOSE	1		81	*30A-08	NUT	1		
21	27739 X 109	HOSE	1		82	50A-1016	BOLT	2		
22	28696 X 24	HOSE	1		83	50A-1018	BOLT	2		
23	*28696 X 27	HOSE	1		84	14A-10	LOCKWASHER	4		
24	28696 X 36	HOSE	1		85	14C-10	FLATWASHER	4		
25	*28696 X 55	HOSE	2		86	30A-10	NUT	4		
26	28696 X 120	HOSE	1		87	354E-12075	STUD	2		
27	28696 X 140	HOSE	1		88	314A-12	LOCKWASHER	2		
28	40854	CLAMP	1		89	330A-12	NUT	2		
29	42794	GASKET	1				RELIEF VALVE ASSEMBLY			
30	45942	CROSS	1		90	*53394	RELIEF VALVE ASSEMBLY - INCLUDES ITEMS 91 TO 102	2		
31	48878	BREATHER	1			27547	SERVICE KIT FOR 53394 - INCLUDES ITEMS 91 & 92	A.R.		
32	49837	CONNECTOR	2		91		POPPET	1		
33	51286	CONNECTOR	2		92		PISTON RING	1		
34	51288	DUST CAP	2			45549	SEAL KIT FOR 53394 - INCLUDES ITEMS 93 TO 96	A.R.		
35	*52086 X 36.5	HOSE	1		93		O RING	1		
36	52087	TUBE	1		94		O RING	1		
37	*53378	TEE	1		95		O RING	1		
38	*53379	MANIFOLD	1		96		BACK-UP WASHER	1		
39	*53439	GASKET - COVER PLATE	2		97	27552	SPRING	1		
40	*53466	NECK ASSEMBLY - DIP STICK	1		98	50067	SHIM - .010" (0.25mm) THICK	A.R.		
41	*53469	COVER PLATE - L.H.	1		99	50066	SHIM - .020" (0.5 mm) THICK	A.R.		
42	*53488	GASKET - FILLER NECK	1		100	50065	SHIM - .040" (1.02mm) THICK	A.R.		
43	*53491	CAP	1		101		CAP	1		
44	*53492	DIP STICK	1		102		BODY	1		
45	*53495	STRAINER	1							
46	*53510	FILTER ASSEMBLY C/W INDICATOR - C/W ITEMS 47 & 54	1		103		HYDRAULIC PUMP	REF.	SECTION 4	
47	*53527	FILTER ELEMENT	1						PAGE 2	
48	*53568 X 29.25	HOSE	1		104		MANIFOLD VALVE ASSEMBLY	REF.	SECTION 4	
49	*53623	ELBOW	2						PAGE 8	
50	*54021	HYDRAULIC OIL TANK	1		105		SOLENOID VALVE ASSEMBLY	REF.	SECTION 4	
51	*54040	MAGNETIC PLUG	1						PAGE 38	
52	*54041	FILTER ASSEMBLY W/O INDICATOR - C/W ITEMS 47 & 55	1							
53	*54137	DIFFUSER	1							
54	*54171	HEAD	1							
55	*54172	HEAD	1							
56	*54352	COVER PLATE - R.H.	1							
57	*54353	FILLER NECK	1							
58	*54416	CONNECTOR	2							
59	110AE-0402	TEE	1							
60	110E-12	CAP	1							



MAY 1990

PRIMARY HYDRAULIC CIRCUIT - Model 710A

PARA LA LISTA DE LAS PIEZAS - VER AL VERSO

POUR LA LISTE DES PIÈCES - VOIR AU VERSO

FOR LIST OF PARTS - TURN THIS PAGE

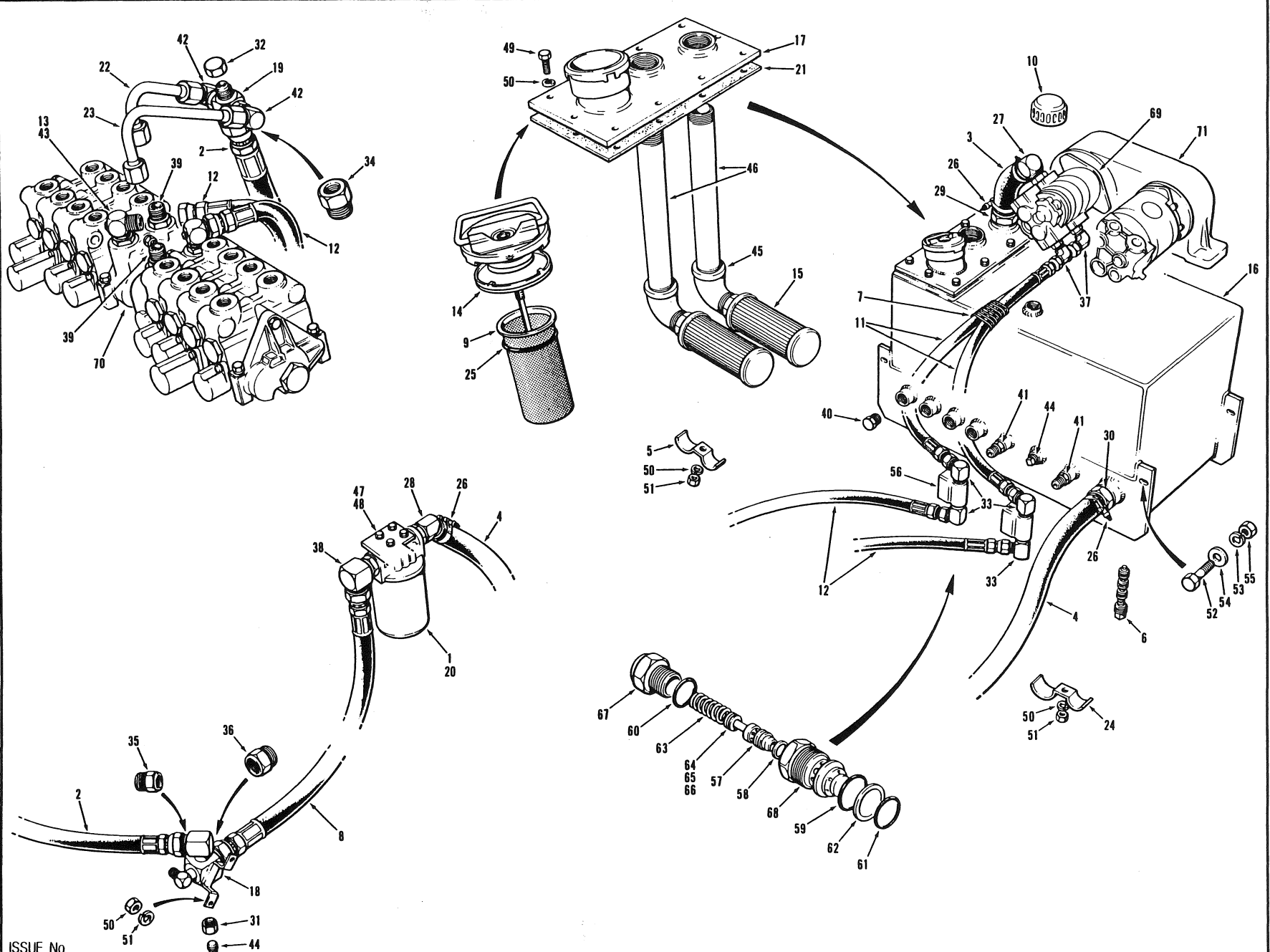
ISSUE No.
N° D'ÉMISSION
N° DE EDICION

EFFECTIVE SERIAL NUMBER(S) 20729 & UP
 NUMERO(S) DE SÉRIE EFFECTIF(S)
 NUMERO(S) DE SÉRIE EFFECTIVOIS

700 SERIES
SÉRIE 700

SECTION 4 PAGE 13
 SECCION 4 PAGINA 13

SECTION SECCION		PAGE PAGINA		ISSUE No. N° D'ÉMISSION N° DE EDICION		PRIMARY HYDRAULIC CIRCUIT - Model 710A			MAY 1990	
No. N° N°	PART No. N° DE PIÈCE N° DE PIEZA	DESCRIPTION DÉSCRIPTION DESCRIPCION	No. REQ. N° REQ. N° REQ.	REMARKS REMARQUES NOTAS	No. N° N°	PART No. N° DE PIECE N° DE PIEZA	DESCRIPTION DÉSCRIPTION DESCRIPCION	No. REQ. N° REQ. N° REQ.	REMARKS REMARQUES NOTAS	
1	46057	ARTICULATION CYLINDER ASSEMBLY - INCLUDES ITEMS 2 TO 15	2		57	54353	FILLER NECK	1		
2	12A-224	O-RING	1		58	54416	CONNECTOR	2		
3	50A-1620	BOLT	1		59	*110E-04	CAP	1		
4	12035	WIPER RING	1		60	110E-12	CAP	1		
5	12036	PISTON SEAL	2		61	*112A-12	CONNECTOR	1		
6	12037	ROD SEAL	2		62	111A-1210	CONNECTOR	1		
7	17608	CYLINDER NUT	1		63	111A-2420	CONNECTOR	1		
8	42151	PISTON	1		64	111B-0808	CONNECTOR	4		
9	43074	WEAR RING	1		65	111B-1210	CONNECTOR	1		
10	44244	O RING	1		66	111B-1212	CONNECTOR	2		
11	44266	BACK-UP RING	1		67	111B-2420	CONNECTOR	2		
12	45734	GLAND	1		68	111D-0808	TEE	2		
13	45890	BUFFER RING	1		69	111E-0808	CONNECTOR	1		
14	46058	CYLINDER BARREL	1		70	111E-1212	CONNECTOR	4		
15	46322	PISTON ROD	1		71	111H-08	PLUG	2		
	48953	REPAIR KIT FOR 46057 CYLINDER ASSEMBLY - INCLUDES ITEMS 2 TO 6, 9 TO 11 & 13	1		72	112B-12	CONNECTOR	1		
16	9313 X 28	HOSE	1		73	114D-24	FLANGE - C/W O RING & HARDWARE	1		
17	9313 X 53.5	HOSE	1		74	115C-08	PLUG	1		
18	14382 X 36	HOSE	2		75	50A-0608	BOLT	26		
19	19588	STRAP	3		76	50A-0612	BOLT	3		
20	27739 X 76	HOSE	1		77	14A-06	LOCKWASHER	32		
21	27739 X 109	HOSE	1		78	30A-06	NUT	3		
22	28696 X 24	HOSE	1		79	50A-0808	BOLT	1		
23	28696 X 27	HOSE	1		80	14A-08	LOCKWASHER	1		
24	28696 X 36	HOSE	1		81	30A-08	NUT	1		
25	28696 X 55	HOSE	2		82	50A-1016	BOLT	2		
26	*28696 X 112	HOSE	1		83	50A-1018	BOLT	2		
27	28696 X 140	HOSE	1		84	14A-10	LOCKWASHER	4		
28	40854	CLAMP	1		85	14C-10	FLATWASHER	4		
29	42794	GASKET	1		86	30A-10	NUT	4		
30	45942	CROSS	1		87	354E-12075	STUD	2		
31	48878	BREATHER	1		88	314A-12	LOCKWASHER	2		
32	49837	CONNECTOR	2		89	330A-12	NUT	2		
33	51286	QUICK DISCONNECT COUPLER - MALE	2				RELIEF VALVE ASSEMBLY			
34	51288	DUST CAP	2		90	53394	RELIEF VALVE ASSEMBLY - INCLUDES ITEMS 91 TO 102	2		
35	*51287	QUICK DISCONNECT COUPLER - FEMALE (FOR TESTING)	1	IN TOOLBOX		27547	SERVICE KIT FOR 53394 - INCLUDES ITEMS 91 & 92	1		
36	*54055	BRACKET	1		91		POPPET	1		
37	53378	TEE	1		92		PISTON RING	1		
38	53379	MANIFOLD	1			45549	SEAL KIT FOR 53394 - INCLUDES ITEMS 93 TO 96	1		
39	53439	GASKET - COVER PLATE	2		93		O RING	1		
40	53466	NECK ASSEMBLY - DIP STICK	1		94		O RING	1		
41	53469	COVER PLATE - L.H.	1		95		O RING	1		
42	53488	GASKET - FILLER NECK	1		96		BACK-UP WASHER	1		
43	53491	CAP	1		97	27552	SPRING	1		
44	53492	DIP STICK	1		98	50067	SHIM - .010" (0.25mm) THICK	1		
45	53495	STRAINER	1		99	50066	SHIM - .020" (0.5 mm) THICK	1		
46	53510	FILTER ASSEMBLY C/W INDICATOR - C/W ITEMS 47, 54 & 106	1		100	50065	SHIM - .040" (1.02mm) THICK	1		
47	53527	FILTER ELEMENT	1		101		CAP	1		
48	53568 X 29.25	HOSE	1		102		BODY	1		
49	53623	ELBOW	2		103		HYDRAULIC PUMP	REF.	SECTION 4	
50	54021	HYDRAULIC OIL TANK	1		104		MANIFOLD VALVE ASSEMBLY	REF.	SECTION 4	
51	54040	MAGNETIC PLUG	1						PAGE 2	
52	54041	FILTER ASSEMBLY W/O INDICATOR - C/W ITEMS 47 & 55	1		105		SOLENOID VALVE ASSEMBLY	REF.	SECTION 4	
53	54137	DIFFUSER	1						PAGE 8	
54	54171	HEAD - INDICATOR	1						SECTION 4	
55	54172	HEAD - NO INDICATOR	1		106	*56824	BY-PASS INDICATOR	1		
56	54352	COVER PLATE - R.H.	1						PAGE 38	



ISSUE No.
 N° D'ÉMISSION
 N° DE EDICION 1 REVISION A

PRIMARY HYDRAULIC CIRCUIT - MODEL 720 THRU 760

NOVEMBER 1985

FOR LIST OF PARTS - TURN THIS PAGE

POUR LA LISTE DES PIÈCES - VOIR AU VERSO

PARA LA LISTA DE LAS PIEZAS - VER AL VERSO

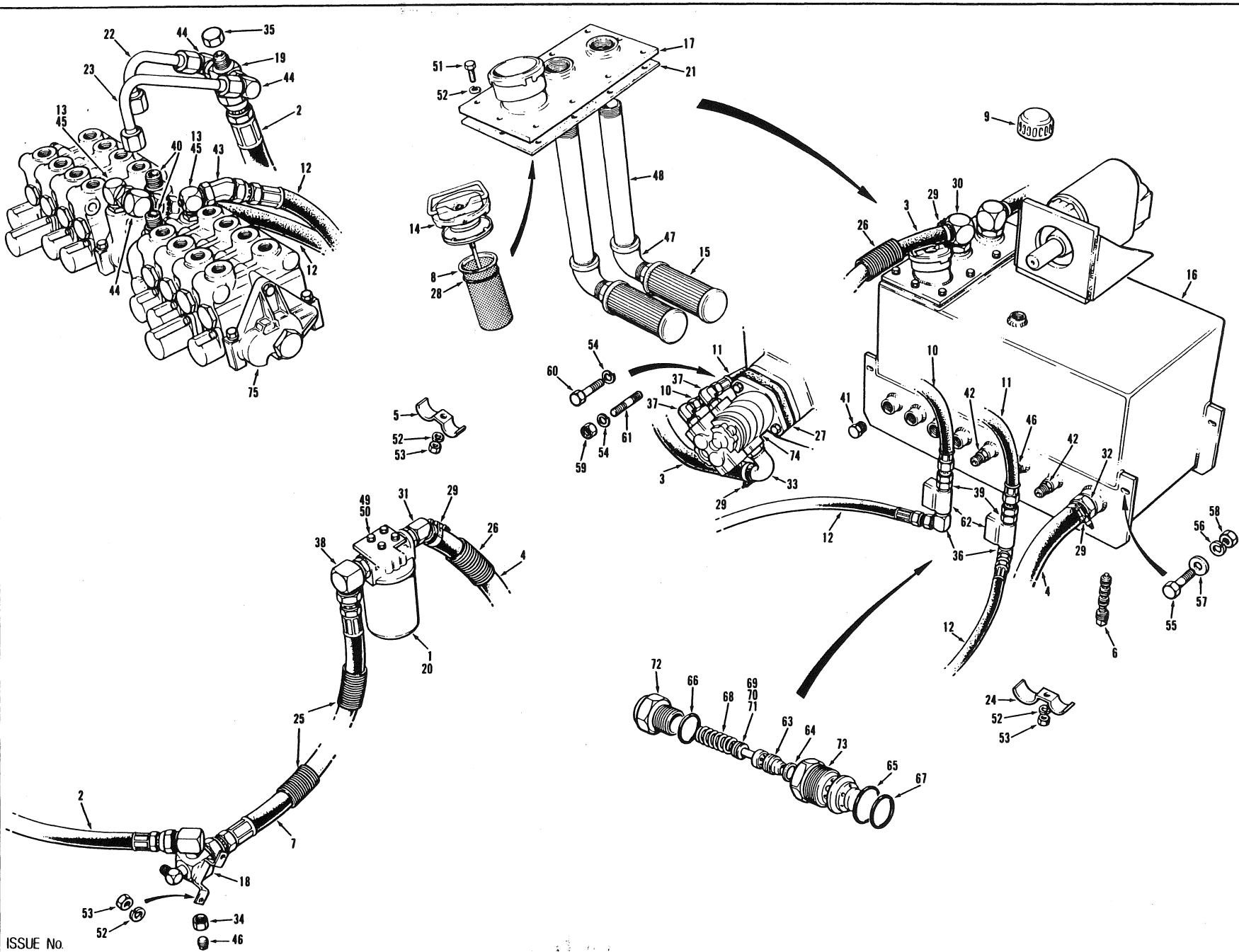
USE ONLY CHAMPION ROAD MACHINERY APPROVED PARTS

EFFECTIVE SERIAL NUMBERS) 16224, 16245 TO 16795
 NUMEROS) DE SÉRIE EFFECTIFS)
 NUMEROS) DE SÉRIE EFFECTIVOS)
 U.S. 2021-2 TO 2419-2

700 SERIES
 SECTION 4
 SERIE 700

SECTION 4
 PAGE 15
 SECCION 4
 PAGINA 15

SECTION SECCION		PAGE PAGINA	ISSUE No. N° D'ÉMISSION N° DE EDICION	1 REVISION A		PRIMARY HYDRAULIC CIRCUIT - MODEL 720 THRU 760			NOVEMBER 1985	
No. N° N°	PART No. N° DE PIÈCE N° DE PIEZA	DESCRIPTION DÉSCRIPTION DESCRIPCION	No. REQ. N° REQ. N° REQ.	REMARKS REMARQUES NOTAS	No. N° N°	PART No. N° DE PIÈCE N° DE PIEZA	DESCRIPTION DÉSCRIPTION DESCRIPCION	No. REQ. N° REQ. N° REQ.	REMARKS REMARQUES NOTAS	
1	13028	FILTER ELEMENT - INCLUDES GASKET	1		47	50A-0508	BOLT	4		
2	14379 X 90	HOSE	1		48	14A-05	LOCKWASHER	4		
3	17156 X 8	HOSE	1		49	50A-0608	BOLT	10		
4	17156 X 80	HOSE	1		50	14A-06	LOCKWASHER	A.R.		
5	24787	CLAMP	A.R.		51	30A-06	NUT	A.R.		
6	27449	MAGNETIC PLUG	1		52	50A-1016	BOLT	4		
7	27455 X 9	HOSE PROTECTOR	1		53	14A-10	LOCKWASHER	4		
8	27739 X 90	HOSE	1		54	14C-10	FLATWASHER	4		
9	28008	STRAINER - INCLUDES ITEM 25	1		55	30A-10	NUT	4		
10	28081	AIR BREATHER	1				<u>RELIEF VALVE ASSEMBLY</u>			
11	28485 X 28	HOSE	2							
12	28485 X 212	HOSE	2		56	27942	RELIEF VALVE ASSY. - INCLUDES ITEMS 57 TO 67	2		
13	32589	ELBOW - INCLUDES ITEM 43	2			27547	SERVICE KIT - INCLUDES ITEMS 57 & 58	A.R.		
14	32667	FILLER CAP - INCLUDES DIPSTICK	1		57		POPPET	1		
15	32668	STRAINER	2		58		PISTON RING	1		
16	40219	HYDRAULIC OIL TANK	1			27551	SEAL KIT - INCLUDES ITEMS 59 TO 62	A.R.		
17	40236	ACCESS PLATE	1		59		O RING	1		
18	40288	CROSS	1		60		O RING	1		
19	40290	CROSS	1		61		O RING	1		
20	40320	OIL FILTER - INCLUDES ITEM 1	1		62		BACK-UP RING	1		
21	40425	GASKET	1		63	27552	SPRING	1		
22	40505	TUBE	1		64	50067	SHIM - .010" (0,25mm) THICK	A.R.		
23	40506	TUBE	1		65	50066	SHIM - .020" (0,51mm) THICK	A.R.		
24	40975	CLAMP	1		66	50065	SHIM - .040" (1,02mm) THICK	A.R.		
25	12A-228	O RING	1	AS REQ'D	67		CAP	1		
26	22A-200	CLAMP	4		68		BODY	1		
27	108A-2420	CONNECTOR	1		69		HYDRAULIC PUMP	REF.	SECTION 4	
28	108B-2420	CONNECTOR	1						PAGES 1/2	
29	108C-2420	CONNECTOR	1		70		MANIFOLD VALVE ASSEMBLY	REF.	SECTION 4	
30	108C-2424	CONNECTOR	1						PAGES 7/8	
31	110E-08	CAP	1		71		PUMP GEARBOX ASSEMBLY	REF.	SECTION 4	
32	110E-12	CAP	1						PAGES 23/24	
33	110R-1212	CONNECTOR	4							
34	110AH-2012	ADAPTER	A.R.							
35	110AH-2016	ADAPTER	A.R.							
36	110AH-2420	ADAPTER	A.R.							
37	111B-1212	CONNECTOR	2							
38	111B-2420	CONNECTOR	1							
39	111E-1212	CONNECTOR	2							
40	111H-12	PLUG	A.R.							
41	111M-0810	CONNECTOR	2							
42	112B-1212	CONNECTOR	2							
43	115D-02	PLUG	2							
44	115E-08	PLUG	1							
45	115J-2424	ELBOW	2							
46	115Z-2420	NIPPLE	2							



EFFECTIVE SERIAL NUMBER(S) 16798 & UP
 NUMERO(S) DE SÉRIE EFFECTIF(S)
 NUMERO(S) DE SERIE EFECTIVO(S)
 U.S. 2420-2 & UP

700 SERIES
 SERIE 700

SECTION 4 PAGE 15
 SECCION 4 PAGINA 15

ISSUE No. 2
 N° D'ÉMISSION 2
 N° DE EDICION 2

PRIMARY HYDRAULIC CIRCUIT - MODEL 710 THRU 760

OCTOBER 1985

FOR LIST OF PARTS - TURN THIS PAGE

POUR LA LISTE DES PIÈCES - VOIR AU VERSO

PARA LA LISTA DE LAS PIEZAS - VER AL VERSO

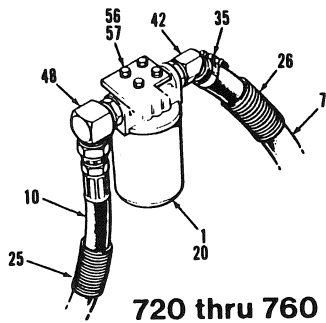
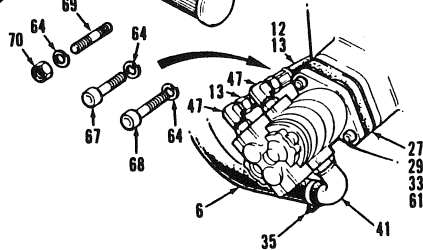
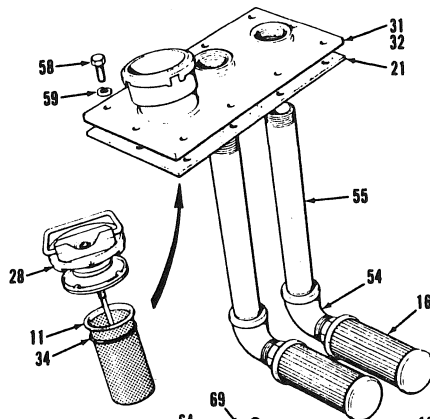
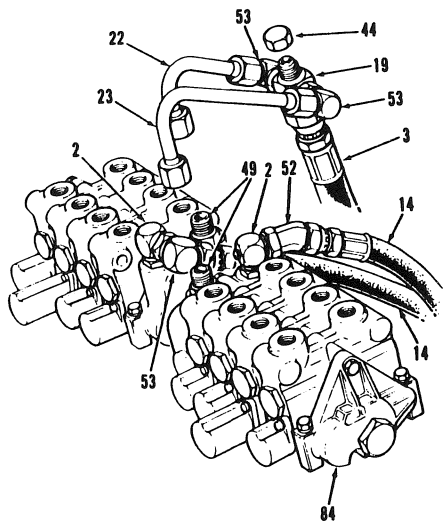
USE ONLY CHAMPION HOLD MACHINERY APPROVED PARTS

SECTION SECCION		PAGE PAGINA		ISSUE No. N° D'ÉMISSION N° DE EDICION		PRIMARY HYDRAULIC CIRCUIT - MODEL 710 THRU 760				OCTOBER 1985	
No. N° N°	PART No. N° DE PIÈCE N° DE PIEZA	DESCRIPTION DÉSCRIPTION DESCRIPCION	No. REQ N° REQ. N° REQ.	REMARKS REMARQUES NOTAS	No. N° N°	PART No. N° DE PIECE N° DE PIEZA	DESCRIPTION DÉSCRIPTION DESCRIPCION	No. REQ N° REQ. N° REQ.	REMARKS REMARQUES NOTAS		
1	13028	FILTER ELEMENT - INCLUDES GASKET	1		49	50A-0508	BOLT	4			
2	14379 X 90	HOSE	1		50	14A-05	LOCKWASHER	4			
3	17156 X 24	HOSE	1		51	50A-0608	BOLT	10			
4	17156 X 67	HOSE	1		52	14A-06	LOCKWASHER	A.R.			
5	24787	CLAMP	A.R.		53	30A-06	NUT	A.R.			
6	27449	MAGNETIC PLUG	1		54	14A-08	LOCKWASHER	2			
7	27739 X 60	HOSE	1		55	50A-1016	BOLT	4			
8	28008	STRAINER - INCLUDES ITEM 28	1		56	14A-10	LOCKWASHER	4			
9	28081	AIR BREATHER	1		57	14C-10	FLATWASHER	4			
10	28485 X 42	HOSE	1		58	30A-10	NUT	4			
11	28485 X 47	HOSE	1		59	330A-12	NUT	2			
12	28485 X 212	HOSE	2		60	350A-12075	BOLT	2			
13	32589	CONNECTOR - INCLUDES ITEM 45	2		61	354E-12090	STUD	2			
14	42167	FILLER CAP - INCLUDES DIPSTICK	1								
15	32668	STRAINER	2								
16	40219	HYDRAULIC OIL TANK	1								
17	40236	ACCESS PLATE	1								
18	40288	CROSS	1		62	40503	RELIEF VALVE ASSY. - INCLUDES ITEMS 63 TO 73	2			
19	40290	CROSS	1								
20	40320	OIL FILTER - INCLUDES ITEM 1	1			27547	SERVICE KIT - INCLUDES ITEMS 63 & 64	A.R.			
21	40425	GASKET	1		63		POPPET	1			
22	40505	TUBE	1		64		PISTON RING	1			
23	40506	TUBE	1			27551	SEAL KIT - INCLUDES ITEMS 65 TO 67				
24	40975	CLAMP	1		65		O RING	1			
25	41648 X 6	HOSE PROTECTOR	2		66		O RING	1			
26	41715 X 6	HOSE PROTECTOR	2		67		O RING	1			
27	42794	GASKET	1		68	27552	SPRING	1			
28	12A-228	O RING	1	AS REQ'D	69	50067	SHIM - .010" (0,25mm) THICK	A.R.			
					70	50066	SHIM - .020" (0,51mm) THICK	A.R.			
					71	50065	SHIM - .040" (1,02mm) THICK	A.R.			
29	22A-200	CLAMP	4		72		CAP	1			
30	108A-2424	CONNECTOR	1		73		BODY	1			
31	108B-2420	CONNECTOR	1								
32	108C-2424	CONNECTOR	1		74		HYDRAULIC PUMP	REF.	SECTION 4		
33	108G-2420	CONNECTOR	1						PAGES 1/2		
34	110E-08	CAP	1		75		MANIFOLD VALVE ASSEMBLY	REF.	SECTION 4		
35	110E-12	CAP	1						PAGES 7/8		
36	111B-1210	CONNECTOR	2								
37	111B-1212	CONNECTOR	3								
38	111B-2420	CONNECTOR	1								
39	111E-1210	CONNECTOR	2								
40	111E-1212	CONNECTOR	2								
41	111H-12	PLUG	A.R.								
42	111P-1010	CONNECTOR	2								
43	112A-12	CONNECTOR	1								
44	112B-12	CONNECTOR	3								
45	115D-02	PLUG	2								
46	115E-08	PLUG	1								
47	115J-2424	ELBOW	2								
48	115Z-2420	NIPPLE	2								

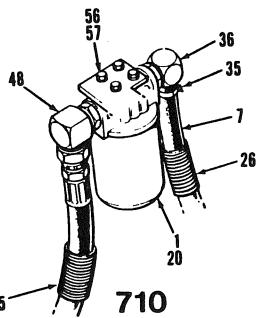
EFFECTIVE SERIAL NUMBERS: 17376, 17377, 17378, 17382
 NUMEROS DE SERIE EFFECTIFS: & UP
 NUMEROS DE SERIE EFFECTIVOS:
 U.S. 2572-2 & UP

700 SERIES
 SERIE 700

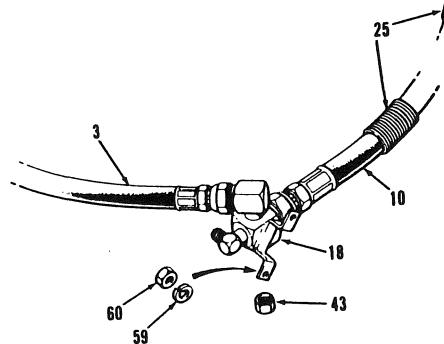
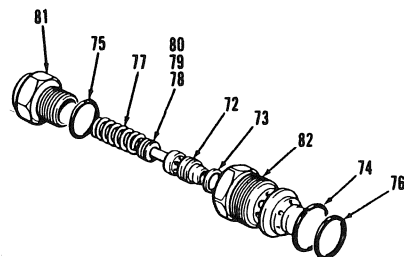
SECTION 4
 SECCION 4
 PAGE 15
 PAGINA 15



720 thru 760

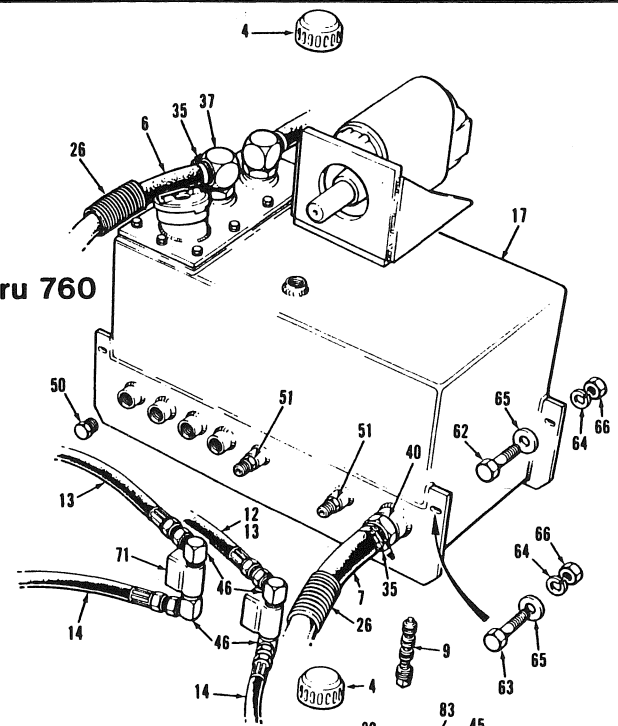


710

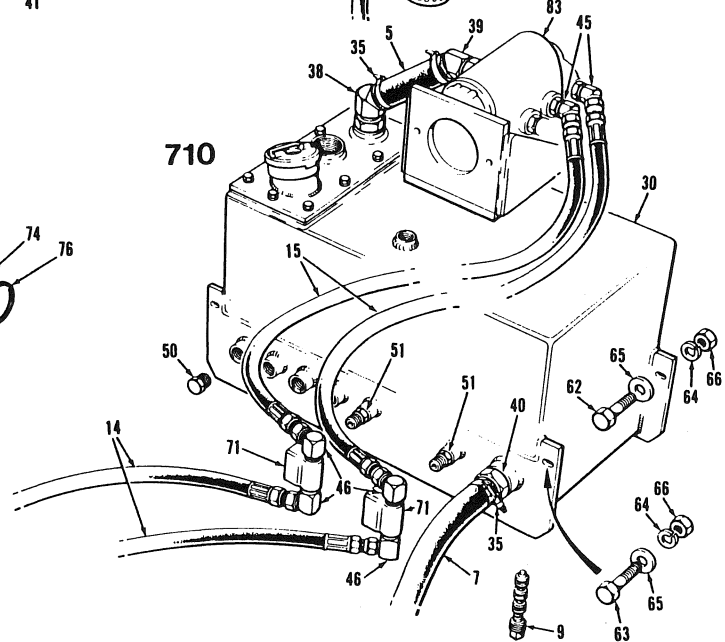


ISSUE No.
 N° D'ÉMISSION
 N° DE EDICION 3

720 thru 760



710



PRIMARY HYDRAULIC CIRCUIT - MODEL 710 THRU 760

SEPTEMBER 1986

FOR LIST OF PARTS - TURN THIS PAGE

POUR LA LISTE DES PIÈCES - VOIR AU VERSO

PARA LA LISTA DE LAS PIEZAS - VER AL VERSO

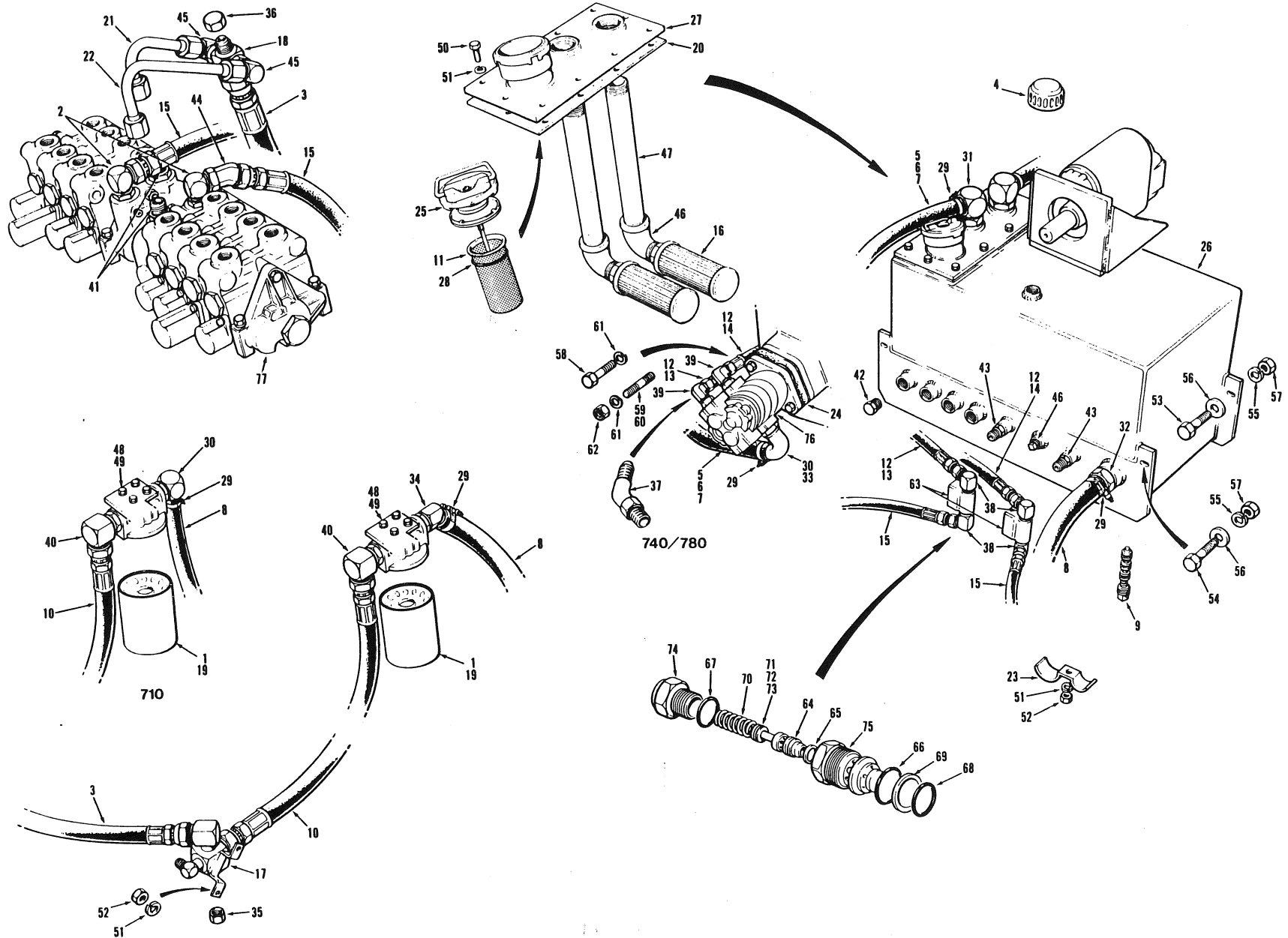
USE ONLY CHAMPION ROAD MACHINERY APPROVED PARTS

SECTION SECCION 4		PAGE PAGINA 16	ISSUE No. N° D'ÉMISSION 3 N° DE EDICION	PRIMARY HYDRAULIC CIRCUIT - MODEL 710 THRU 760				SEPTEMBER 1986	
No. N° N°	PART No. N° DE PIÈCE N° DE PIEZA	DESCRIPTION DÉSCRIPTION DESCRIPCION	No. REQ. N° REQ. N° REQ.	REMARKS REMARQUES NOTAS	No. N° N°	PART No. N° DE PIECE N° DE PIEZA	DESCRIPTION DÉSCRIPTION DESCRIPCION	No. REQ. N° REQ. N° REQ.	REMARKS REMARQUES NOTAS
1	13028	FILTER ELEMENT - INCLUDES GASKET	1		50	111H-12	PLUG	3	
2	14292	CONNECTOR	2		51	111P-1010	CONNECTOR	2	
3	14379 X 90	HOSE	1		52	112A-12	CONNECTOR	1	
4	16894	AIR BREATHER	1		53	112B-12	CONNECTOR	3	
5	*17156 X 8.5	HOSE	1	710	54	115J-2424	ELBOW	2	
6	17156 X 24	HOSE	1		55	115Z-2420	NIPPLE	2	
7	17156 X 67	HOSE	1						
8	24787	CLAMP	1		56	50A-0508	BOLT	4	
9	27449	MAGNETIC PLUG	1		57	14A-05	LOCKWASHER	4	
10	27739 X 60	HOSE	1		58	50A-0608	BOLT	10	
11	28008	STRAINER - INCLUDES ITEM 34	1		59	14A-06	LOCKWASHER	16	
12	28485 X 28	HOSE	1	740,760	60	30A-06	NUT	6	
13	28485 X 42	HOSE	1	740,760	61	50A-0810	BOLT	2	
			2	720,730	62	50A-1016	BOLT	2	
14	28485 X 212	HOSE	2		63	50A-1018	BOLT	2	
15	*28696 X 36	HOSE	2	710	64	14A-10	LOCKWASHER	8	
16	32668	STRAINER	2		65	14C-10	FLATWASHER	4	
17	40219	HYDRAULIC OIL TANK	1		66	30A-10	NUT	4	
18	40288	CROSS	1		67	*350D-10025	BOLT	1	740,760
19	40290	CROSS	1		68	*350D-10050	BOLT	3	740,760
20	40320	OIL FILTER - INCLUDES ITEM 1	1		69	*354E-12090	STUD	2	710
21	40425	GASKET	1		70	*350A-12	NUT	2	710
22	40505	TUBE	1						
23	40506	TUBE	1						
24	40975	CLAMP	3						
25	41648 X 6	HOSE PROTECTOR	2						
26	41715 X 6	HOSE PROTECTOR	2		71	40503	RELIEF VALVE ASSY. INCLUDES ITEMS 72 TO 82	2	
27	41953	ADAPTER	1	740,760		27547	SERVICE KIT - INCLUDES ITEMS 72 & 73	A.R.	
28	42167	FILLER CAP - INCLUDES DIPSTICK	1		72		POPPET	1	
29	42794	GASKET	1		73		PISTON RING	1	
30	*43816	HYDRAULIC OIL TANK	1	710		27551	SEAL KIT - INCLUDES ITEMS 74 TO 76	A.R.	
31	*43817	ACCESS PLATE	1	710	74		O RING	1	
32	50043	ACCESS PLATE	1		75		O RING	1	
33	50063	GASKET	1	740,760	76		O RING	1	
					77	27552	SPRING	1	
34	12A-228	O RING	1	AS REQ'D	78	50067	SHIM - .010"(0.25mm)THICK	A.R.	
35	22A-200	CLAMP	4		79	50066	SHIM - .020"(0.51mm)THICK	A.R.	
36	108A-2420	CONNECTOR	1	710	80	50065	SHIM - .040"(1.02mm)THICK	A.R.	
37	108A-2424	CONNECTOR	1		81		CAP	1	
38	108B-2420	CONNECTOR	1	710	82		BODY	1	
39	108B-2424	CONNECTOR	1	710					
40	108C-2424	CONNECTOR	1		83		HYDRAULIC PUMP	REF.	SECTION 4
41	108G-2420	CONNECTOR	1						PAGE 2
42	108H-2420	CONNECTOR	1		84		MANIFOLD VALVE ASSEMBLY	REF.	SECTION 4
43	110E-08	CAP	1						PAGE 8
44	110E-12	CAP	1						
45	111A-1212	CONNECTOR	2						
46	111B-1210	CONNECTOR	4						
47	111B-1212	CONNECTOR	2						
48	111B-2420	CONNECTOR	1						
49	111E-1212	CONNECTOR	2						

EFFECTIVE SERIAL NUMBER(S) 17945 & UP
 NUMERO(S) DE SERIE EFFECTIF(S)
 NUMEROS DE SERIE EFECTIVOS

700 SERIES
 SERIE 700

SECTION 4
 SECTION 4
 PAGE 15
 PAGINA 15



ISSUE No.
 N° D'ÉMISSION
 N° DE EDICION 4

PRIMARY HYDRAULIC CIRCUIT - MODEL 710 THRU 780

AUGUST 1987

FOR LIST OF PARTS - TURN THIS PAGE

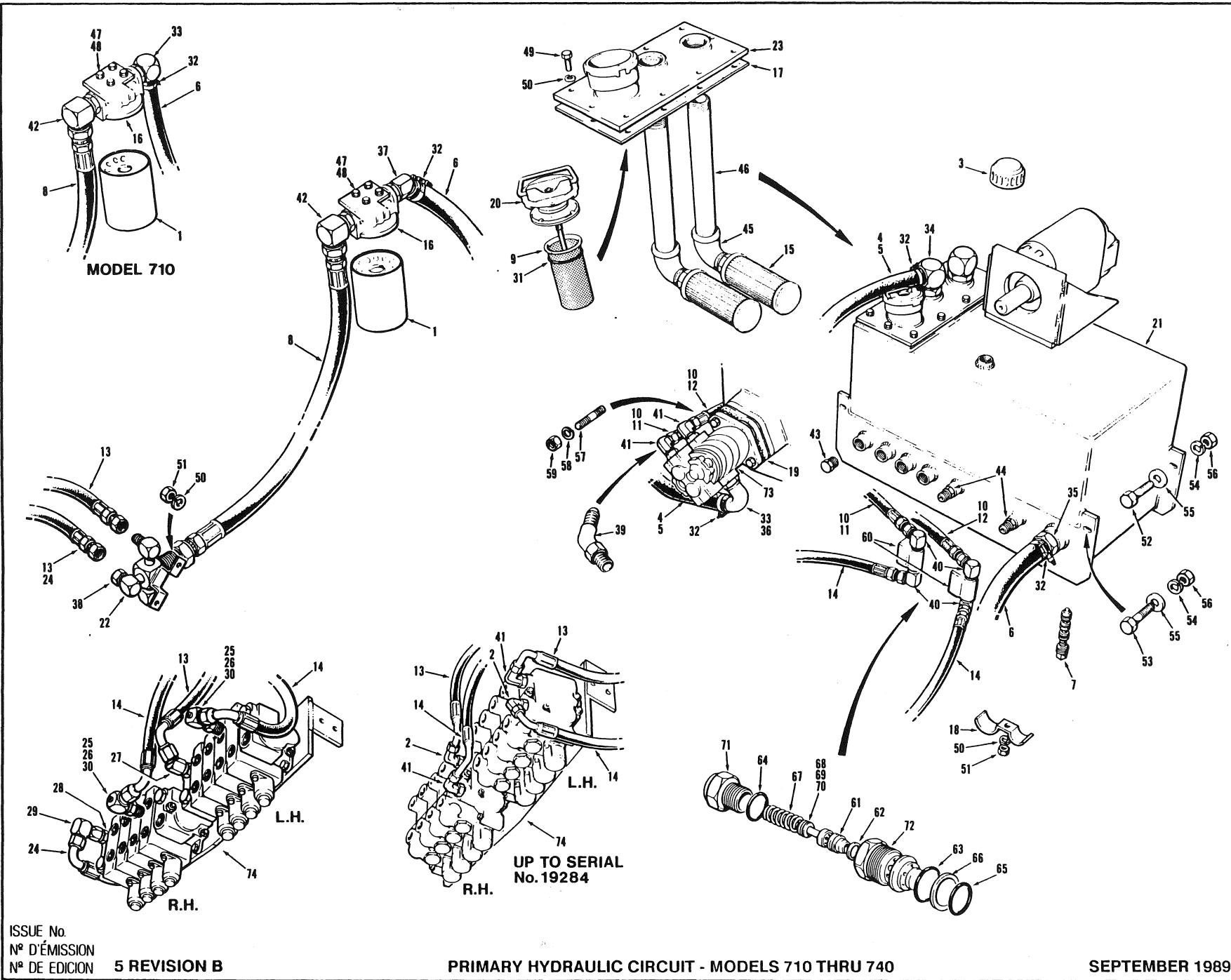
POUR LA LISTE DES PIÈCES - VOIR AU VERSO

PARA LA LISTA DE LAS PIEZAS - VER AL VERSO

USE ONLY CHAMPION ROAD MACHINERY APPROVED PARTS

SECTION SECCION 4		PAGE PAGINA 16		ISSUE No. N° D'ÉMISSION 4		PRIMARY HYDRAULIC CIRCUIT - MODEL 710 THRU 780			AUGUST 1987	
No. N° N°	PART No. N° DE PIÈCE N° DE PIEZA	DESCRIPTION DESCRIPTION DESCRIPCION	No. REQ. N° REQ. N° REQ.	REMARKS REMARQUES NOTAS	No. N° N°	PART No. N° DE PIECE N° DE PIEZA	DESCRIPTION DESCRIPTION DESCRIPCION	No. REQ. N° REQ. N° REQ.	REMARKS REMARQUES NOTAS	
1	13028	FILTER ELEMENT - INCLUDES GASKET	1		48	50A-0508	BOLT	4		
2	*14292	CONNECTOR	1		49	14A-05	LOCKWASHER	4		
3	14379 X 90	HOSE	1		50	50A-0610	BOLT	10		
4	*16894	AIR BREATHER	1		51	14A-06	LOCKWASHER	15		
5	*17156 X 22	HOSE	1	LT-10-C	52	30A-06	NUT	7		
6	17156 X 24	HOSE	1	6CT 8.3	53	50A-1016	BOLT	2		
7	*17156 X 26	HOSE	1	6BT 5.9	54	50A-1018	BOLT	2		
8	17156 X 67	HOSE	1		55	14A-10	LOCKWASHER	4		
9	27449	MAGNETIC PLUG	1		56	14C-10	FLATWASHER	4		
10	27739 X 60	HOSE	1		57	30A-10	NUT	4		
11	28008	STRAINER - INCLUDES ITEM 28	1		58	350A-12040	BOLT	2	LT-10-C	
12	28485 X 28	HOSE	2	LT-10-C	59	354E-12075	STUD	2	6BT5.9	
13	28485 X 42	HOSE	1		60	354E-12090	STUD	2	6CT8.3	
14	28485 X 47	HOSE	1		61	314A-12	LOCKWASHER	2		
15	28485 X 212	HOSE	2		62	330A-12	NUT	2		
16	32668	STRAINER	2							
17	40288	CROSS	1							
18	40290	CROSS	1							
19	40320	OIL FILTER - INCLUDES ITEM 1	1							
20	40425	GASKET	1		63	40503	RELIEF VALVE ASSY. - INCLUDES ITEMS 64 TO 75	2		
21	40505	TUBE	1			27547	SERVICE KIT - INCLUDES ITEMS 64 & 65	A.R.		
22	40506	TUBE	1		64		POPPET	1		
23	40854	CLAMP	3		65		PISTON RING	1		
24	42794	GASKET	1			*45549	SEAL KIT - INCLUDES ITEMS 66 TO 69			
25	*44672	FILLER CAP - INCLUDES DIPSTICK	1		66		O RING	1		
26	*45356	HYDRAULIC OIL TANK	1		67		O RING	1		
27	*50043	ACCESS PLATE	1		68		O RING	1		
28	12A-228	O RING	1	AS REQ'D	69		BACK UP WASHER	1		
29	22A-200	CLAMP	4		70	27552	SPRING	1		
30	108A-2420	CONNECTOR	1	6BT/LT-10	71	50067	SHIM - .010" (0,25mm) THICK	A.R.		
31	108A-2424	CONNECTOR	1		72	50066	SHIM - .020" (0,51mm) THICK	A.R.		
32	108C-2424	CONNECTOR	1		73	50065	SHIM - .040" (1,02mm) THICK	A.R.		
33	108G-2420	CONNECTOR	1	6BT/6CT	74		CAP	1		
34	*108H-2420	CONNECTOR	1	6CT/LT-10	75		BODY	1		
35	110E-08	CAP	1		76		HYDRAULIC PUMP	REF.	SECTION 4	
36	110E-12	CAP	1						PAGE 2	
37	*111A-1212	CONNECTOR	2	LT-10-C	77		MANIFOLD VALVE ASSEMBLY	REF.	SECTION 4	
38	111B-1210	CONNECTOR	4						PAGE 8	
39	111B-1212	CONNECTOR	3							
40	111B-2420	CONNECTOR	1							
41	111E-1212	CONNECTOR	2							
42	111H-12	PLUG	A.R.							
43	111P-10	CONNECTOR	2							
44	112A-12	CONNECTOR	1							
45	112B-12	CONNECTOR	3							
46	115J-2424	ELBOW	2							
47	115Z-2420	NIPPLE	2							

CHAMPION ROAD MACHINERY



EFFECTIVE SERIAL NUMBERS (S)
 NUMEROS (S) DE SERIE EFFECTIFS (S)
 NUMEROS (S) DE SERIE EFFECTIVOS (S)

18578, 18590, 18592 TO 20117

700 SERIES
 SERIE 700

SECTION
 SECCION

4

PAGE
 PAGINA

15

ISSUE No.
 N° D'ÉMISSION
 N° DE EDICION

5 REVISION B

PRIMARY HYDRAULIC CIRCUIT - MODELS 710 THRU 740

SEPTEMBER 1989

FOR LIST OF PARTS - TURN THIS PAGE

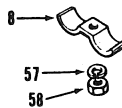
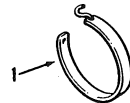
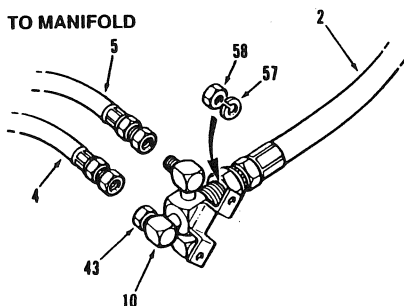
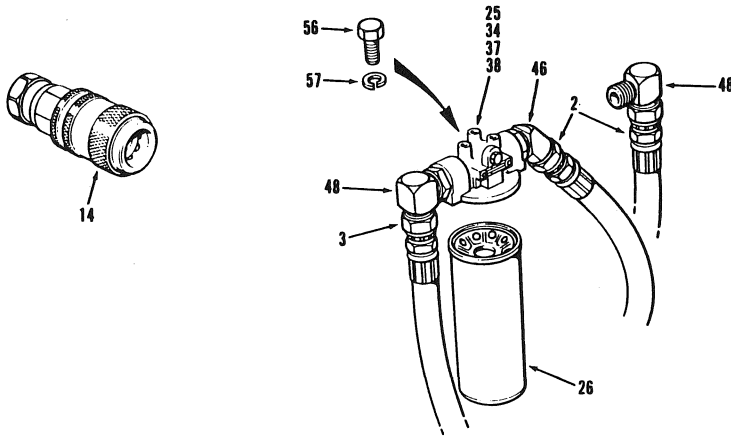
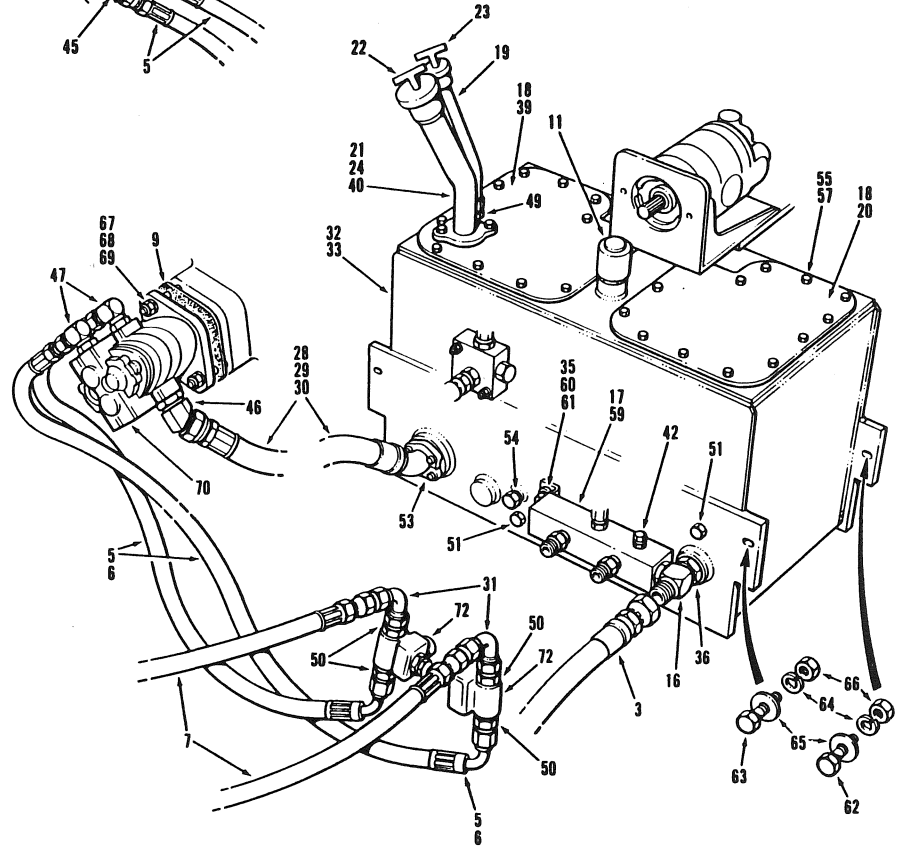
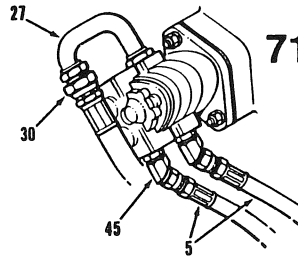
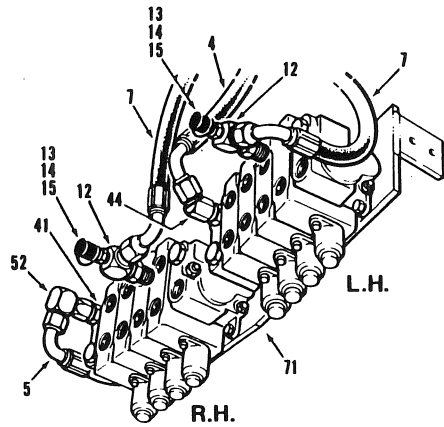
POUR LA LISTE DES PIÈCES - VOIR AU VERSO

PARA LA LISTA DE LAS PIEZAS - VER AL VERSO

USE ONLY CHAMPION ROAD MACHINERY APPROVED PARTS

SECTION SECCION	4	PAGE PAGINA	16	ISSUE No. N° D'ÉMISSION N° DE EDICION	5 REVISION B	PRIMARY HYDRAULIC CIRCUIT - MODELS 710 THRU 740			SEPTEMBER 1989
No. N° N°	PART No. N° DE PIÈCE N° DE PIEZA	DESCRIPTION DÉSCRIPTION DESCRIPCION	No. REQ. N° REQ. N° REQ.	REMARKS REMARQUES NOTAS	No. N° N°	PART No. N° DE PIECE N° DE PIEZA	DESCRIPTION DÉSCRIPTION DESCRIPCION	No. REQ. N° REQ. N° REQ.	REMARKS REMARQUES NOTAS
1	13028	FILTER ELEMENT - INCLUDES GASKET	1		42	111B-2420	CONNECTOR	1	
2	14292	CONNECTOR	2	UP TO S/N 19284	43	111H-12	PLUG	3	
3	16894	AIR BREATHER	1		44	111P-10	CONNECTOR	2	
4	17156X24	HOSE	1	720/730/740	45	115J-2424	ELBOW	2	
5	17156X26	HOSE	1	710	46	115Z-2420	NIPPLE	2	
6	17156X67	HOSE	1		47	50A-0508	BOLT	4	
7	27449	MAGNETIC PLUG	1		48	14A-05	LOCKWASHER	4	
8	27739X60	HOSE	1		49	50A-0610	BOLT	10	
9	28008	STRAINER - INCLUDES ITEM 31	1		50	14A-06	LOCKWASHER	15	
10	28485X28	HOSE	2	740	51	30A-06	NUT	5	
11	28485X42	HOSE	1	710/720/730	52	50A-1016	BOLT	2	
12	28485X47	HOSE	1	710/720/730	53	50A-1018	BOLT	2	
13	28696X24	HOSE	1 or 2		54	14A-10	LOCKWASHER	4	
14	28696X140	HOSE	2		55	14C-10	FLATWASHER	4	
15	32668	STRAINER	2		56	30A-10	NUT	4	
16	40320	OIL FILTER - INCLUDES ITEM 1	1		57	354E-12075	STUD	2	
17	40425	GASKET	1		58	314A-12	LOCKWASHER	2	
18	40854	CLAMP	3		59	330A-12	NUT	2	
19	42794	GASKET	1				RELIEF VALVE ASSEMBLY		
20	44672	FILLER CAP - INCLUDES DIPSTICK	1						
21	45356	HYDRAULIC OIL TANK	1		60	40504	RELIEF VALVE ASSY. - INCLUDES ITEMS 61 TO 72	2	
22	45942	CROSS	1						
23	50043	ACCESS PLATE	1						
24	28696X36	HOSE	1		61	27547	SERVICE KIT - INCLUDES ITEMS 61 & 62	A.R.	
25	*49837	CONNECTOR	2		62		POPPET	1	
26	*51286	CONNECTOR	2				PISTON RING	1	
27	111A-1210	CONNECTOR	1	S/N 19294	63	45549	SEAL KIT - INCLUDES ITEMS 63 TO 68	A.R.	
28	111E-1210	CONNECTOR	1	& UP	64		O RING	1	
29	112B-12	ELBOW	1		65		O RING	1	
30	*51288	DUST CAP	2		66		BACK-UP WASHER	1	
31	12A-228	O RING	1		67	27552	SPRING	1	
32	22A-200	CLAMP	4		68	50067	SHIM - .010" (0,25mm) THICK	A.R.	
33	108A-2420	CONNECTOR	1	710/740	69	50066	SHIM - .020" (0,51mm) THICK	A.R.	
34	108A-2424	CONNECTOR	1		70	50065	SHIM - .040" (1,02mm) THICK	A.R.	
35	108C-2424	CONNECTOR	1		71		CAP	1	
36	108G-2420	CONNECTOR	1	710/720/730	72		BODY	1	
37	108H-2420	CONNECTOR	1	720/730/740	73		HYDRAULIC PUMP	REF.	SECTION 4
38	110E-12	CAP	1		74		MANIFOLD VALVE ASSEMBLY	REF.	PAGE 2
39	111A-1212	CONNECTOR	2	740					SECTION 4
40	111B-1210	CONNECTOR	4						PAGE 8
41	111B-1212	CONNECTOR	A.R.	710 thru 740					

710 & 740



EFFECTIVE SERIAL NUMBER(S)
 NUMEROSI DE SERIE EFFECTIV(S)
 NUMEROSI DE SERIE EFECTIVOS(S)
 20121 TO 20804

700 SERIES
 SERIE 700

SECTION 4
 SECCION 4
 PAGE 15
 PAGINA 15

ISSUE No.
 N° D'ÉMISSION
 N° DE EDICION 6 REVISION A

PRIMARY HYDRAULIC CIRCUIT - Models 710 thru 740

SEPTEMBER 1990

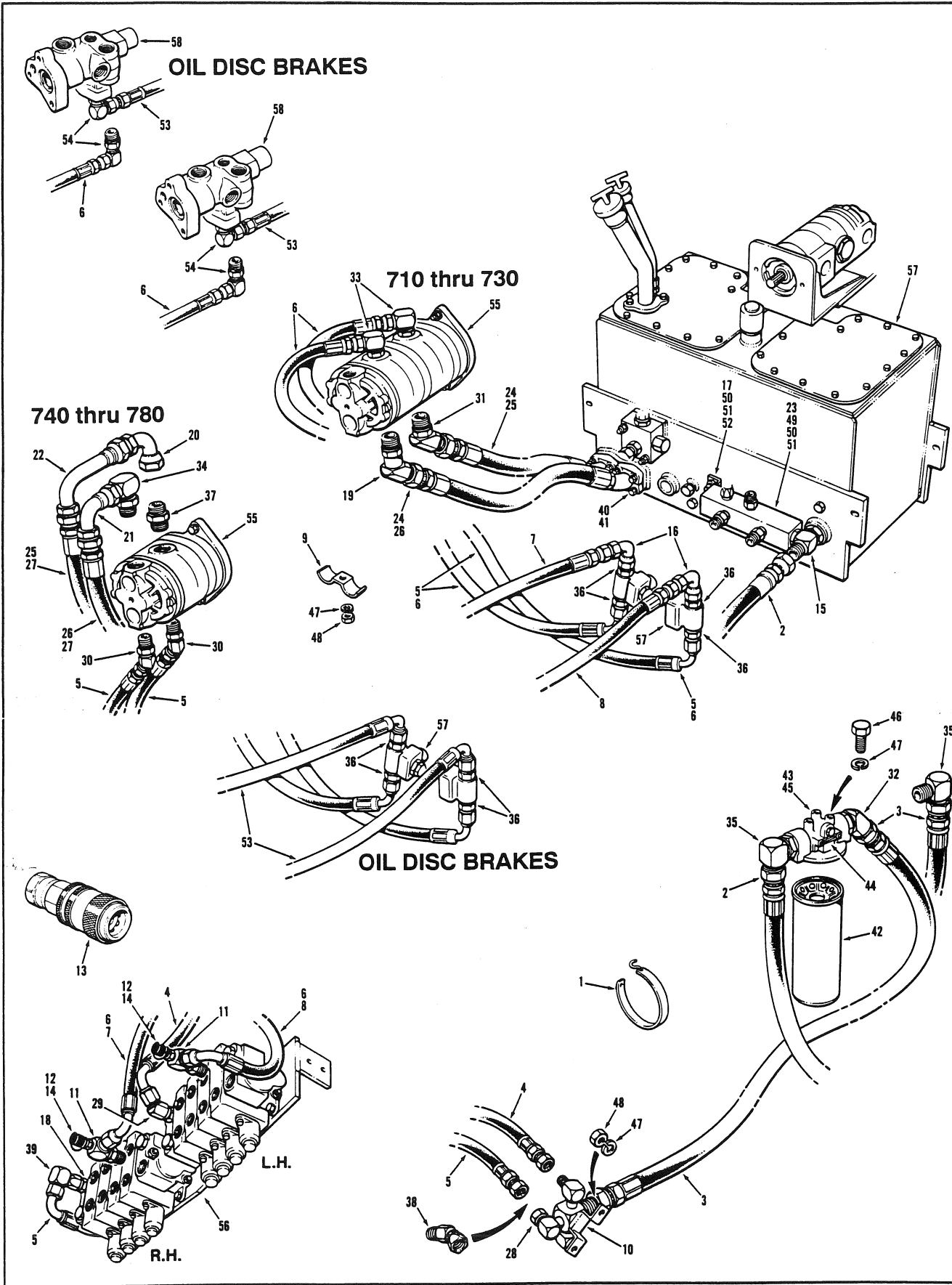
FOR LIST OF PARTS - TURN THIS PAGE

POUR LA LISTE DES PIÈCES - VOIR AU VERSO

PARA LA LISTA DE LAS PIEZAS - VER AL VERSO

USE ONLY CHAMPION MACHINERY APPROVED PARTS

SECTION SECCION		PAGE PAGINA		ISSUE No. N° D'ÉMISSION N° DE EDICION		6 REVISION A		PRIMARY HYDRAULIC CIRCUIT - Models 710 thru 740			SEPTEMBER 1990	
No. N° N°	PART No. N° DE PIÈCE N° DE PIEZA	DESCRIPTION DESCRIPTION DESCRIPCION	No. REQ. N° REQ. N° REQ.	REMARKS REMARQUES NOTAS	No. N° N°	PART No. N° DE PIECE N° DE PIEZA	DESCRIPTION DESCRIPTION DESCRIPCION	No. REQ. N° REQ. N° REQ.	REMARKS REMARQUES NOTAS			
1	19588	STRAP	1		48	111B-2420	CONNECTOR	1 or 2				
2	*27739 x 90	HOSE	1		49	111E-0808	CONNECTOR	1				
3	27739 x 76	HOSE	1		50	111E-1212	CONNECTOR	4				
4	28696 x 24	HOSE	1		51	111H-08	PLUG	2				
5	28696 x 36	HOSE	1 or 3		52	112B-12	CONNECTOR	1				
6	28696 x 55	HOSE	2		53	114D-24	FLANGE - C/W O RING & HARDWARE	1				
7	28696 x 140	HOSE	2		54	115C-08	PLUG	1				
8	40854	CLAMP	1		55	50A-0608	BOLT	26				
9	42794	GASKET	1		56	50A-0612	BOLT	3				
10	45942	CROSS	1		57	14A-06	LOCKWASHER	32				
11	48878	BREATHER	1		58	30A-06	NUT	3				
12	49837	CONNECTOR	2		59	50A-0808	BOLT	1				
13	51286	QUICK DISCONNECT COUPLER - MALE	2		60	14A-08	LOCKWASHER	1				
14	51287	QUICK DISCONNECT COUPLER - FEMALE (FOR TESTING)	2	IN TOOLBOX	61	30A-08	NUT	1				
15	51288	DUST CAP	2		62	50A-1016	BOLT	2				
16	53378	TEE	1		63	50A-1018	BOLT	2				
17	53379	MANIFOLD	1		64	14A-10	LOCKWASHER	4				
18	53439	GASKET - COVER PLATE	2		65	14C-10	FLATWASHER	4				
19	53466	NECK ASSEMBLY - DIP STICK	1		66	30A-10	NUT	4				
20	53469	COVER PLATE - L.H.	1		67	354E-12075	STUD	2				
21	53488	GASKET - FILLER NECK	1		68	314A-12	LOCKWASHER	2				
22	53491	CAP	1		69	330A-12	NUT	2				
23	53492	DIP STICK	1									
24	53495	STRAINER	1		70		HYDRAULIC PUMP	REF.	SECTION 4			
25	53510	FILTER ASSEMBLY - WITH INDICATOR - C/W ITEMS 26 & 37	1		71		MANIFOLD VALVE ASSEMBLY	REF.	PAGE 1 SECTION 4 PAGE 7			
26	53527	FILTER ELEMENT	1		72		RELIEF VALVE ASSEMBLY	REF.	SECTION 4 PAGE 13			
27	53563	TUBE	1	740								
28	53568 x 24	HOSE	1	720/730								
29	53568 x 29.25	HOSE	1	710								
30	53568 x 31.5	HOSE	1	740								
31	53623	ELBOW	2									
32	54021	HYDRAULIC OIL TANK	1									
33	54040	MAGNETIC PLUG	1									
34	54041	FILTER ASSEMBLY - WITHOUT INDICATOR C/W ITEMS 26 & 38	1									
35	54055	BRACKET	?									
36	54137	DIFFUSER	1									
37	54171	HEAD - INDICATOR	1									
38	54172	HEAD - NO INDICATOR	1									
39	54352	COVER PLATE - R.H.	1									
40	54353	FILLTER NECK	2									
41	54416	CONNECTOR	1									
42	110E-04	CAP	1									
43	110E-12	CAP	1									
44	111A-1210	CONNECTOR	1									
45	111A-1212	CONNECTOR	2	740								
46	111A-2420	CONNECTOR	1 or 2									
47	111B-1212	CONNECTOR	2									

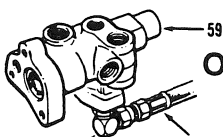


EFFECTIVE SERIAL NUMBER(S) 20825 & UP
 NUMERO(S) DE SÉRIE EFFECTIF(S)
 NUMERO(S) DE SERIE EFECTIVO(S)

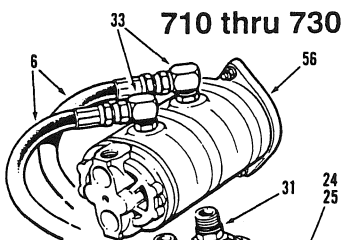
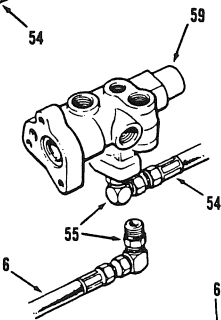
700 SERIES
SERIE 700

SECTION 4 **PAGE 15**
SECCION 4 **PAGINA 15**

SECTION SECCION		PAGE PAGINA		ISSUE No. N° D'ÉMISSION N° DE EDICION		MAIN HYDRAULIC CIRCUIT - Models 710 thru 780			AUGUST 1990	
No. N° N°	PART No. N° DE PIÈCE N° DE PIEZA	DESCRIPTION DÉSCRIPTION DESCRIPCION	No. REQ. N° REQ. N° REQ.	REMARKS REMARQUES NOTAS	No. N° N°	PART No. N° DE PIECE N° DE PIEZA	DESCRIPTION DÉSCRIPTION DESCRIPCION	No. REQ. N° REQ. N° REQ.	REMARKS REMARQUES NOTAS	
1	19588	STRAP	1		46	50A-0612	BOLT	3		
2	27739 x 76	HOSE	1		47	14A-06	LOCKWASHER	6		
3	*27739 x 90	HOSE	1	720 thru 780	48	30A-06	NUT	3		
	*27739 x 72	HOSE	1	710	49	50A-0808	BOLT	1		
4	28696 x 24	HOSE	1		50	14A-08	LOCKWASHER	2		
5	28696 x 36	HOSE	1	710 thru 730	51	*14C-08	FLATWASHER	2		
	28696 x 36	HOSE	3	740 thru 780	52	30A-08	NUT	1		
6	28696 x 55	HOSE	2 or 4							
7	*28696 x 120	HOSE	1		53	28696 x 90	HOSE	2	OIL DISC BRAKES	
8	28696 x 140	HOSE	1		54	111B-1216	CONNECTOR	4		
9	40854	CLAMP	1							
10	45942	CROSS	1		55		HYDRAULIC PUMP	REF.	SECTION 4 PAGE 1	
11	49837	CONNECTOR	2							
12	51286	QUICK DISCONNECT COUPLER - MALE	2		56		MANIFOLD VALVE ASSEMBLY	REF.	SECTION 4 PAGE 7	
13	51287	QUICK DISCONNECT COUPLER - FEMALE (FOR TESTING)	1	IN TOOLBOX						
14	51288	DUST CAP	2		57		*HYDRAULIC OIL TANK & RELIEF VALVE ASSEMBLY	REF.	SECTION 4 PAGE 45	
15	53378	TEE	1							
16	53623	ELBOW	2		58		OIL DISC BRAKE VALVE	REF.	SECTION 9 PAGE 17	
17	54055	BRACKET	1							
18	54416	CONNECTOR	1							
19	*54969	ELBOW	1	710 thru 730						
20	*54993	ELBOW	1							
21	*54994	ELBOW	1	740 thru 780						
22	*54995	ELBOW	1							
23	*54996	MANIFOLD	1							
24	*55028 x 26	HOSE	2	720 & 730						
25	*55028 x 30	HOSE	1	710 & 740 thru 780 with OIL DISC BRAKES						
26	*55028 x 31	HOSE	1							
27	*55028 x 32	HOSE	2	DRUM BRAKES						
28	110E-12	CAP	1							
29	111A-1210	CONNECTOR	1							
30	111A-1212	CONNECTOR	2	740 thru 780						
31	*111A-2020	CONNECTOR	1	710 thru 730						
32	111A-2420	CONNECTOR	1	720 thru 780						
33	111B-1212	CONNECTOR	2	710 thru 730						
34	*111B-2020	CONNECTOR	1	740 thru 780						
35	111B-2420	CONNECTOR	1 or 2							
36	111E-1212	CONNECTOR	4							
37	*111E-2020	CONNECTOR	1	740 thru 780						
38	*112A-12	CONNECTOR	1	710						
39	112B-12	CONNECTOR	1							
40	*114D-20	FLANGE KIT - C/W ITEM 41 & HARDWARE	2							
41	*12A-222	O RING	2							
	53510	FILTER ASSEMBLY - INDICATOR - C/W ITEMS 42, 43 & 44	1							
42	53527	ELEMENT	1							
43	54171	HEAD - INDICATOR	1							
44	56824	BY-PASS INDICATOR	1							
	54041	FILTER ASSEMBLY - NO INDICATOR C/W ITEMS 42 & 45	1							
45	54172	HEAD - NO INDICATOR	1							

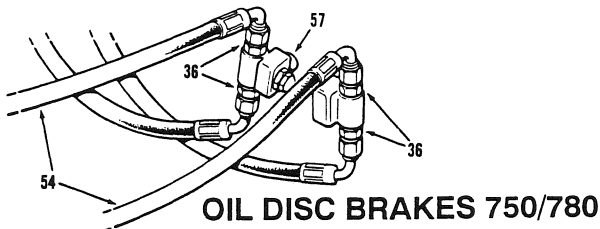
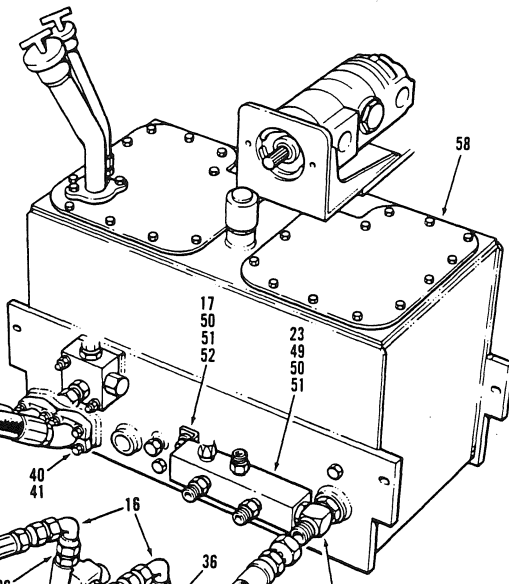
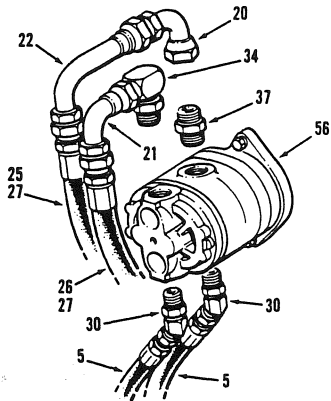


OIL DISC BRAKES 750/780

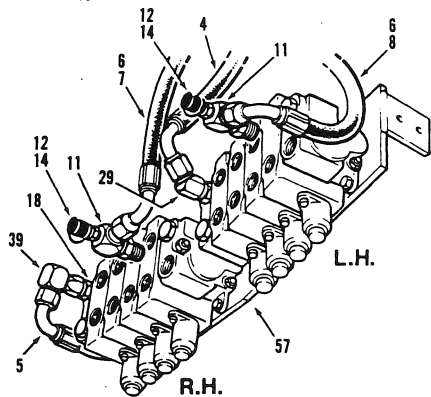
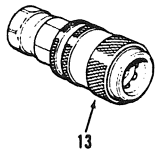


710 thru 730

740 thru 780

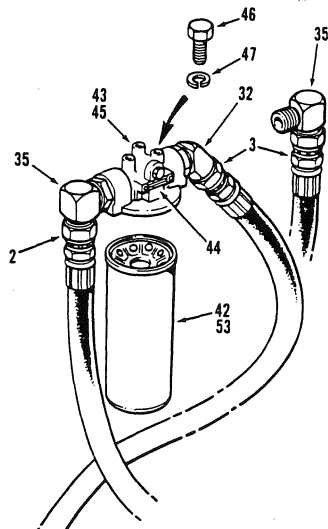
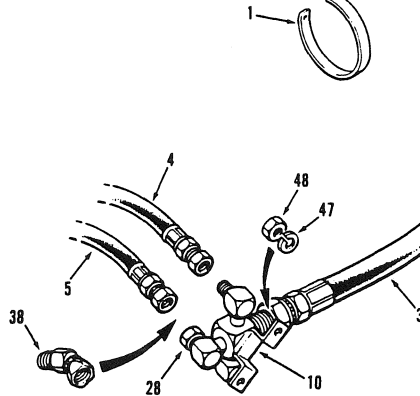


OIL DISC BRAKES 750/780



R.H.

L.H.

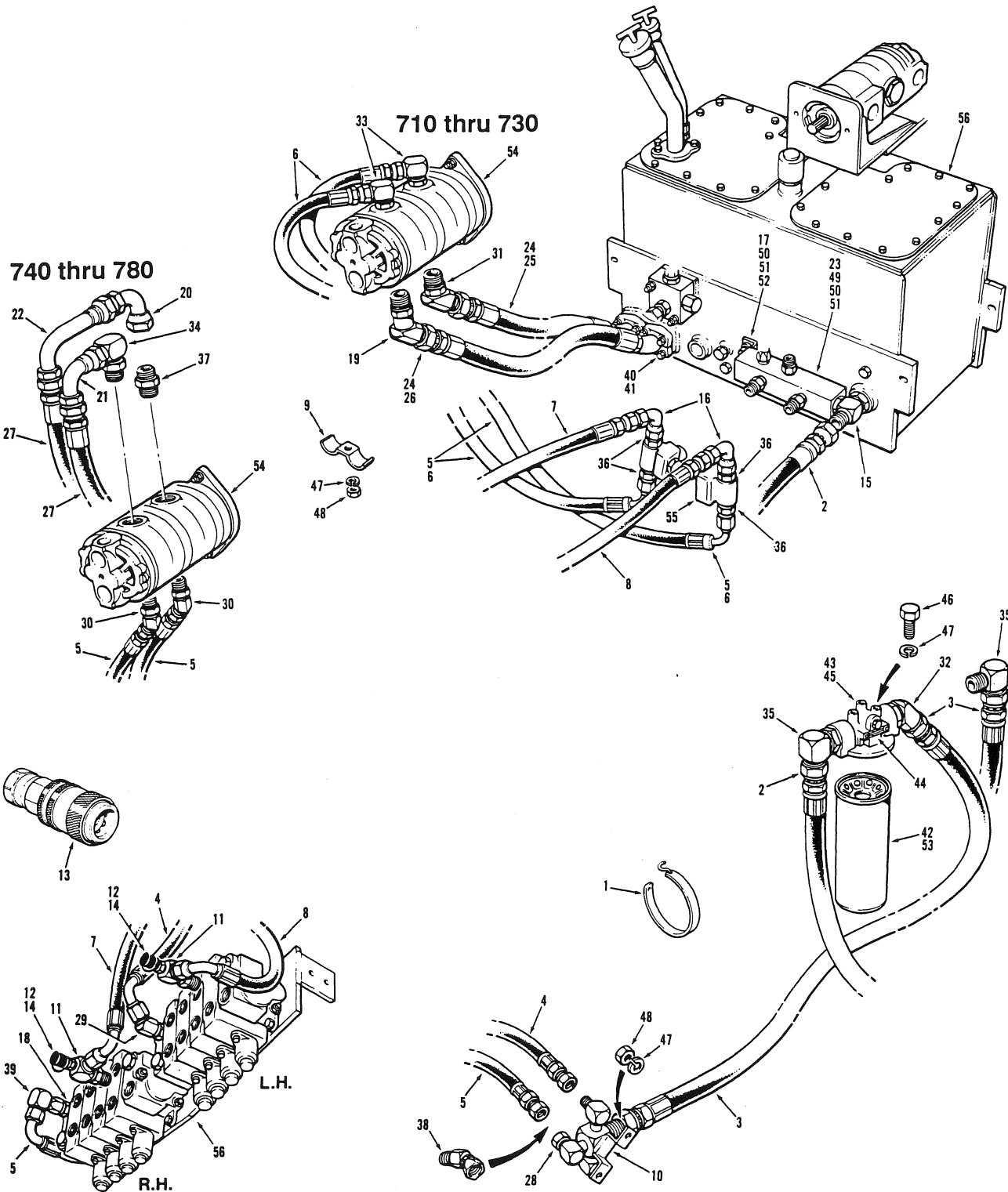


EFFECTIVE SERIAL NUMBER(S) 21134 to 21385
 NUMERO(S) DE SÉRIE EFFECTIF(S)
 NUMERO(S) DE SERIE EFECTIVO(S)

700 SERIES
SERIE 700

SECTION 4 **PAGE 15**
SECCION 4 **PAGINA 15**

SECTION 4		PAGE 16		ISSUE No. 8 REVISION A		MAIN HYDRAULIC CIRCUIT - Models 710 thru 780			FEBRUARY 1991	
No. N°	PART No. N° DE PIÈCE	DESCRIPTION DESCRIPTION	No. REQ. N° REQ.	REMARKS REMARQUES NOTAS	No. N°	PART No. N° DE PIÈCE	DESCRIPTION DESCRIPTION	No. REQ. N° REQ.	REMARKS REMARQUES NOTAS	
1	19588	STRAP	1		46	50A-0612	BOLT	3		
2	27739 x 76	HOSE	1		47	14A-06	LOCKWASHER	6		
3	27739 x 90	HOSE	1	720 thru 780	48	30A-06	NUT	3		
	27739 x 72	HOSE	1	710	49	50A-0808	BOLT	1		
4	28696 x 24	HOSE	1		50	14A-08	LOCKWASHER	2		
5	28696 x 36	HOSE	1	710 thru 730	51	14C-08	FLATWASHER	2		
	28696 x 36	HOSE	3	740 thru 780	52	30A-08	NUT	1		
6	28696 x 55	HOSE	2 or 4							
7	28696 x 120	HOSE	1		53	58430	O-RING	1		
8	28696 x 140	HOSE	1							
9	40854	CLAMP	1		54	28696 x 90	HOSE	2	OIL DISC	
10	45942	CROSS	1		55	111B-1216	CONNECTOR	4	BRAKES	
11	49837	CONNECTOR	2							
12	51286	QUICK DISCONNECT COUPLER - MALE	2		56		HYDRAULIC PUMP	REF.	Sect 4 Pg 1	
13	51287	QUICK DISCONNECT COUPLER - FEMALE (FOR TESTING)	1	IN TOOLBOX						
14	51288	DUST CAP	2		57		MANIFOLD VALVE ASSEMBLY	REF.	Sect 4 Pg 7	
15	53378	TEE	1							
16	53623	ELBOW	2		58		HYDRAULIC OIL TANK & RELIEF VALVE ASSEMBLY	REF.	Sect 4 Pg 45	
17	54055	BRACKET	1							
18	54416	CONNECTOR	1		59		OIL DISC BRAKE VALVE	REF.	Sect 9 Pg 17	
19	54969	ELBOW	1	710 thru 730						
20	54993	ELBOW	1							
21	54994	ELBOW	1	740 thru 780						
22	54995	ELBOW	1							
23	54996	MANIFOLD	1							
24	55028 x 26	HOSE	2	720 & 730						
25	55028 x 30	HOSE	1	710, 740,						
26	55028 x 31	HOSE	1	750 & 780						
27	55028 x 32	HOSE	2	DRUM BRAKES						
28	110E-12	CAP	1							
29	111A-1210	CONNECTOR	1							
30	111A-1212	CONNECTOR	2	740 thru 780						
31	111A-2020	CONNECTOR	1	710 thru 730						
32	111A-2420	CONNECTOR	1	720 thru 780						
33	111B-1212	CONNECTOR	2	710 thru 730						
34	111B-2020	CONNECTOR	1	740 thru 780						
35	111B-2420	CONNECTOR	1 or 2							
36	111E-1212	CONNECTOR	4							
37	111E-2020	CONNECTOR	1	740 thru 780						
38	112A-12	CONNECTOR	1	710						
39	112B-12	CONNECTOR	1							
40	114D-20	FLANGE KIT - C/W ITEM 41 & HARDWARE	2							
41	12A-222	O-RING	2							
	53510	FILTER ASSEMBLY - INDICATOR - C/W ITEMS 42, 43, 44 & 53	1							
42	53527	ELEMENT	1							
43	54171	HEAD - INDICATOR	1							
44	56824	BY-PASS INDICATOR	1							
	54041	FILTER ASSEMBLY - NO INDICATOR C/W ITEMS 42, 45 & 53	1							
45	54172	HEAD - NO INDICATOR	1							



ISSUE No
N° D'ÉMISSION
N° DE EDICIÓN

EFFECTIVE SERIAL NUMBER(S) 21386 & UP
NUMERO(S) DE SÉRIE EFFECTIF(S)
NUMERO(S) DE SERIE EFECTIVO(S)

700 SERIES
SERIE 700

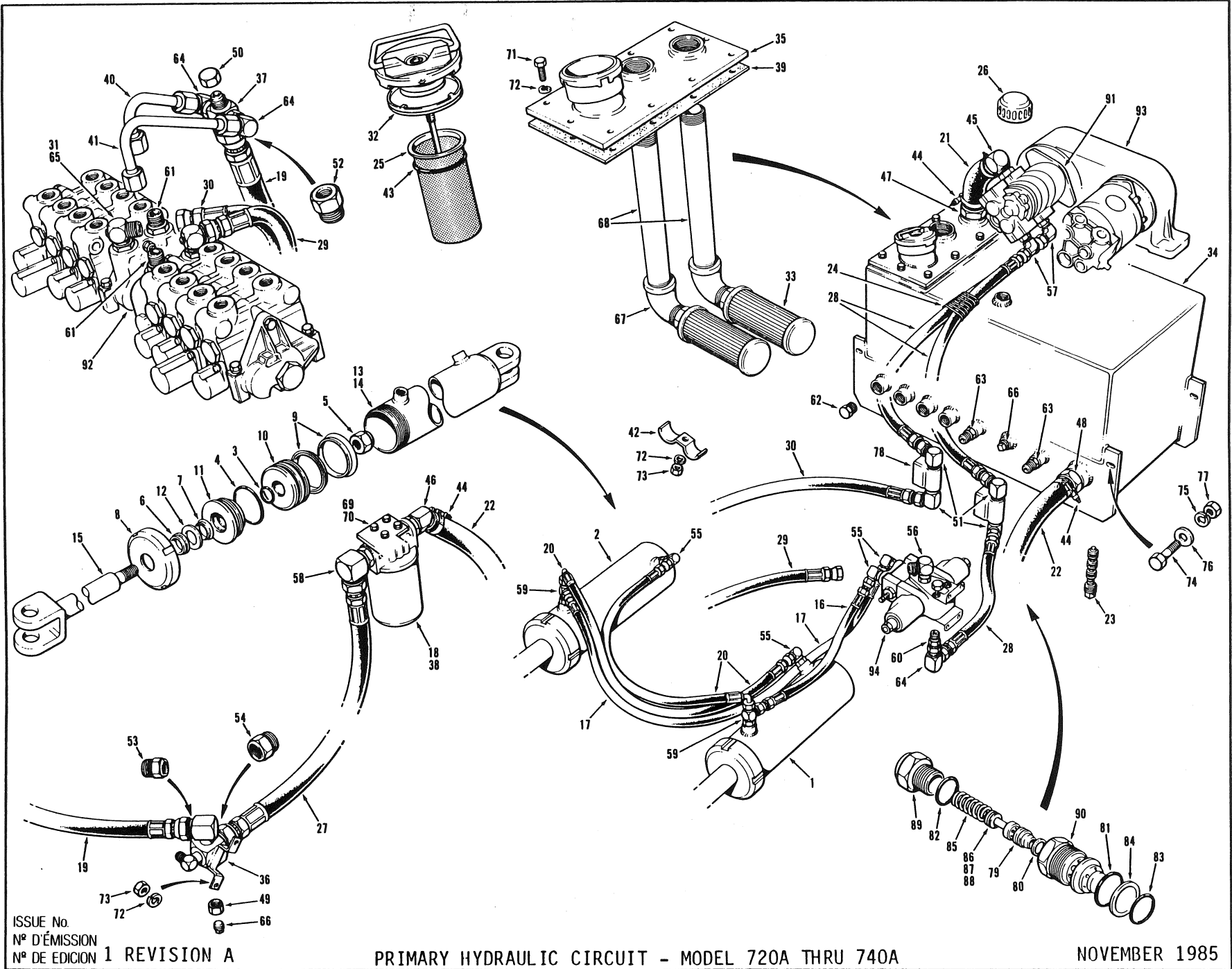
SECTION 4 PAGE 15
SECCION 4 PAGINA 15

SECTION SECCION		PAGE PAGINA		ISSUE No. N° D'ÉMISSION N° DE EDICION		MAIN HYDRAULIC CIRCUIT - Models 710 thru 780			FEBRUARY 1991	
No. N° N°	PART No. N° DE PIÉCE N° DE PIEZA	DESCRIPTION DESCRIPTION DESCRIPCION	No. REQ. N° REQ. N° REQ.	REMARKS REMARQUES NOTAS	No. N° N°	PART No. N° DE PIÉCE N° DE PIEZA	DESCRIPTION DESCRIPTION DESCRIPCION	No. REQ. N° REQ. N° REQ.	REMARKS REMARQUES NOTAS	
1	19588	STRAP	1		46	50A-0612	BOLT	3		
2	27739 x 76	HOSE	1		47	14A-06	LOCKWASHER	6		
3	27739 x 90	HOSE	1	720 thru 780	48	30A-06	NUT	3		
	27739 x 72	HOSE	1	710	49	50A-0808	BOLT	1		
4	28696 x 24	HOSE	1		50	14A-08	LOCKWASHER	2		
5	28696 x 36	HOSE	1	710 thru 730	51	14C-08	FLATWASHER	2		
	28696 x 36	HOSE	3	740 thru 780	52	30A-08	NUT	1		
6	28696 x 55	HOSE	2	710 thru 730						
7	28696 x 120	HOSE	1		53	58430	O-RING	1		
8	28696 x 140	HOSE	1							
9	40854	CLAMP	1		54		HYDRAULIC PUMP	REF.	Sect 4 Pg 1	
10	45942	CROSS	1							
11	49837	CONNECTOR	2		55		MANIFOLD VALVE ASSEMBLY	REF.	Sect 4 Pg 7	
12	51286	QUICK DISCONNECT COUPLER - MALE	2							
13	51287	QUICK DISCONNECT COUPLER - FEMALE (FOR TESTING)	1	In Toolbox	56		HYDRAULIC OIL TANK & RELIEF VALVE ASSEMBLY	REF.	Sect 4 Pg 45	
14	51288	DUST CAP	2							
15	53378	TEE	1							
16	53623	ELBOW	2							
17	54055	BRACKET	1							
18	54416	CONNECTOR	1							
19	54969	ELBOW	1	710 thru 730						
20	54993	ELBOW	1							
21	54994	ELBOW	1	740 thru 780						
22	54995	ELBOW	1							
23	54996	MANIFOLD	1							
24	55028 x 26	HOSE	2	720 & 730						
25	55028 x 30	HOSE	1	710						
26	55028 x 31	HOSE	1	710						
27	55028 x 32	HOSE	2	740, 750, 780						
28	110E-12	CAP	1							
29	111A-1210	CONNECTOR	1							
30	111A-1212	CONNECTOR	2	740 thru 780						
31	111A-2020	CONNECTOR	1	710 thru 730						
32	111A-2420	CONNECTOR	1	720 thru 780						
33	111B-1212	CONNECTOR	2	710 thru 730						
34	111B-2020	CONNECTOR	1	740 thru 780						
35	111B-2420	CONNECTOR	1 or 2							
36	111E-1212	CONNECTOR	4							
37	111E-2020	CONNECTOR	1	740 thru 780						
38	112A-12	CONNECTOR	1	710						
39	112B-12	CONNECTOR	1							
40	114D-20	FLANGE KIT - C/W ITEM 41 & HARDWARE	2							
41	12A-222	O-RING	2							
	53510	FILTER ASSEMBLY - INDICATOR - C/W ITEMS 42, 43, 44 & 53	1							
42	53527	ELEMENT	1							
43	54171	HEAD - INDICATOR	1							
44	56824	BY-PASS INDICATOR	1							
	54041	FILTER ASSEMBLY - NO INDICATOR C/W ITEMS 42, 45 & 53	1							
45	54172	HEAD - NO INDICATOR	1							

EFFECTIVE SERIAL NUMBERS: 16224, 16245 TO 16785
 NUMEROS DE SERIE EFFECTIFS (S)
 NUMEROS DE SERIE EFFECTIVOS (S)
 U.S. 2021-2 TO 2419-2

700 SERIES
 SERIE 700

SECTION 4
 PAGE 17



ISSUE No.
 N° D'ÉMISSION
 N° DE EDICION 1 REVISION A

PRIMARY HYDRAULIC CIRCUIT - MODEL 720A THRU 740A

NOVEMBER 1985

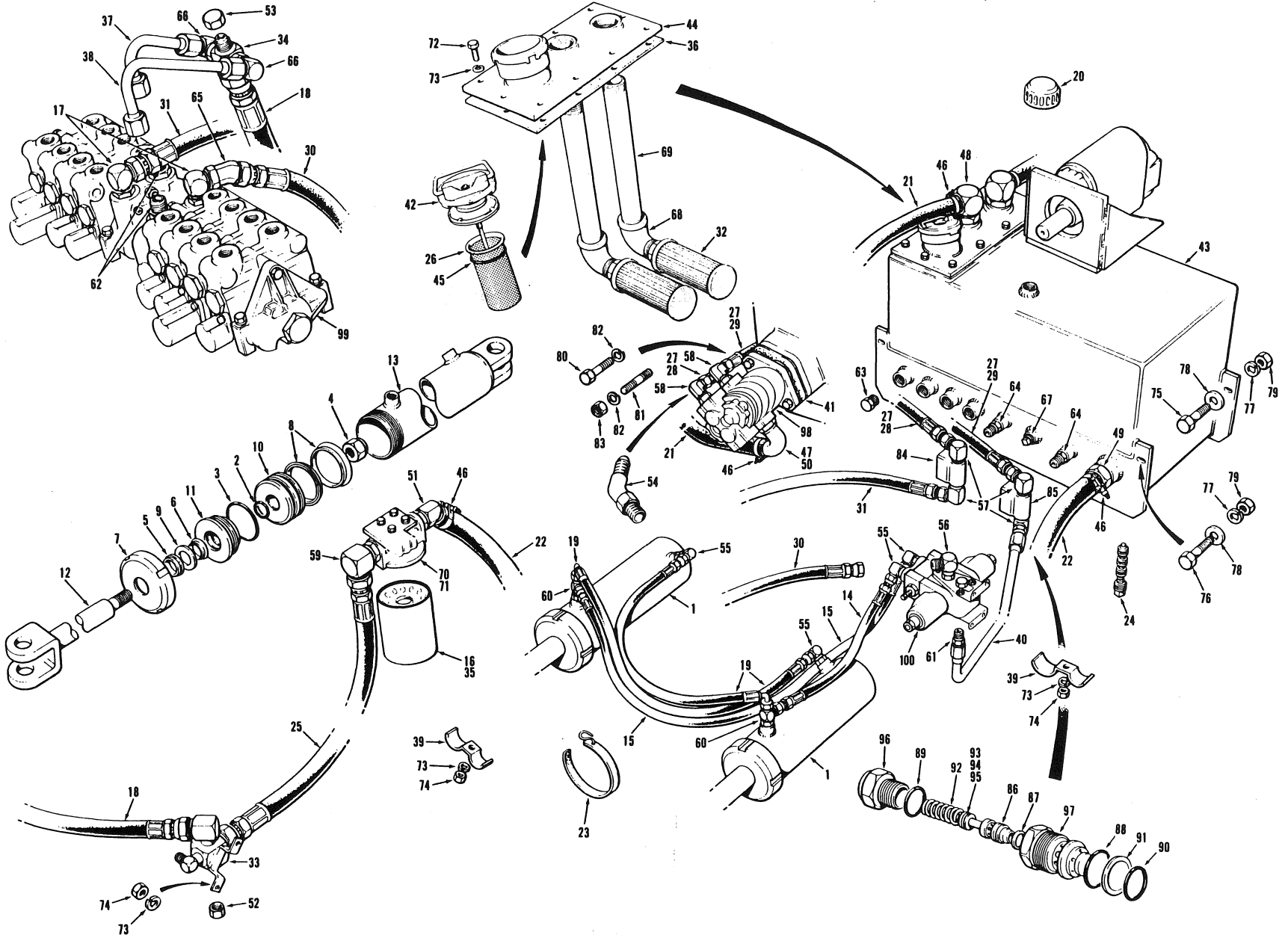
FOR LIST OF PARTS - TURN THIS PAGE

POUR LA LISTE DES PIÈCES - VOIR AU VERSO

PARA LA LISTA DE LAS PIEZAS - VER AL VERSO

USE ONLY CHAMPION
 R. L. MACHINERY APPROVED PARTS

SECTION SECCION 4		PAGE PAGINA 18	ISSUE No. N° D'ÉMISSION N° DE EDICION 1 REVISION A	PRIMARY HYDRAULIC CIRCUIT - MODEL 720A THRU 740A			NOVEMBER 1985		
No. N° N°	PART No. N° DE PIÈCE N° DE PIEZA	DESCRIPTION DÉSCRIPTION DESCRIPCION	No. REQ. N° REQ. N° REQ.	REMARKS REMARQUES NOTAS	No. N° N°	PART No. N° DE PIECE N° DE PIEZA	DESCRIPTION DÉSCRIPTION DESCRIPCION	No. REQ. N° REQ. N° REQ.	REMARKS REMARQUES NOTAS
1	24166	ARTICULATION CYLINDER ASSEMBLY - L.H. - INCLUDES ITEMS 3 TO 13 & 15	1		55	111B-0808	ELBOW	4	
					56	111B-1208	ELBOW	1	
					57	111B-1212	ELBOW	2	
2	24167	ARTICULATION CYLINDER ASSEMBLY - R.H. - INCLUDES ITEMS 3 TO 12, 14 & 15	1		58	111B-2420	ELBOW	1	
					59	111D-0808	TEE	2	
					60	111E-1208	CONNECTOR	1	
3	12A-218	O RING	1		61	111E-1212	CONNECTOR	2	
4	12A-425	O RING	1		62	111H-12	PLUG	A.R.	
5	37P-20	LOCKNUT	1		63	111M-0810	CONNECTOR	2	
6	12035	WIPER RING	1		64	112B-1212	ELBOW	2	
7	12037	ROD SEAL	1		65	115D-02	PLUG	2	
8	13007	CYLINDER NUT	1		66	115E-08	PLUG	1	
9	16999	PISTON SEAL	2		67	115J-2424	ELBOW	2	
10	17611	PISTON	1		68	115Z-2420	NIPPLE	2	
11	17612	GLAND	1						
12	17614	WASHER	1		69	50A-0508	BOLT	4	
13	23975	CYLINDER BARREL - L.H.	1		70	14A-05	LOCKWASHER	4	
14	23976	CYLINDER BARREL - R.H.	1		71	50A-0608	BOLT	10	
15	23978	PISTON ROD	1		72	14A-06	LOCKWASHER	A.R.	
	26410	REPAIR KIT FOR 24166 & 24167 CYL. ASSY. - INCLUDES ITEMS 3 TO 7, 9 & 12	A.R.		73	30A-06	NUT	A.R.	
16	9313 X 28	HOSE	1		74	50A-1016	BOLT	4	
17	9313 X 53.5	HOSE	1		75	14A-10	LOCKWASHER	4	
18	13028	FILTER ELEMENT - INCLUDES GASKET	1		76	14C-10	FLATWASHER	4	
19	14379 X 90	HOSE	1		77	30A-10	NUT	4	
20	14382 X 36	HOSE	2						
21	17156 X 8	HOSE	1		78	27942	RELIEF VALVE ASSY. - INCLUDES ITEMS 79 TO 89	2	
22	17156 X 80	HOSE	1						
23	27449	MAGNETIC PLUG	1		79	27547	SERVICE KIT - INCLUDES ITEMS 79 & 80	A.R.	
24	27455	HOSE PROTECTOR	1		80		POPPET	1	
25	28008	STRAINER - INCLUDES ITEM 43	1				PISTON RING	1	
26	28081	AIR BREATHER	1		81	27551	SEAL KIT - INCLUDES ITEMS 81 TO 84	A.R.	
27	27739 X 109	HOSE	1		82		O RING	1	
28	28485 X 28	HOSE	3		83		O RING	1	
29	28485 X 188	HOSE	1		84		BACK-UP RING	1	
30	28485 X 212	HOSE	1		85	27552	SPRING	1	
31	32589	ELBOW - C/W ITEM 65	2		86	50067	SHIM - .010" (0,25 mm) THICK	A.R.	
32	32667	FILLER CAP - INCLUDES DIPSTICK	1		87	50066	SHIM - .020" (0,51 mm) THICK	A.R.	
33	32668	STRAINER	2		88	50065	SHIM - .040" (1,02 mm) THICK	A.R.	
34	40219	HYDRAULIC OIL TANK	1		89		CAP	1	
35	40236	ACCESS PLATE	1		90		BODY	1	
36	40288	MALE CROSS	1						
37	40290	MALE CROSS	1		91		HYDRAULIC PUMP	REF.	SECTION 4 PAGES 1/2
38	40320	OIL FILTER - C/W ITEM 18	1						
39	40425	GASKET	1						
40	40505	TUBE	1		92		MANIFOLD VALVE ASSEMBLY	REF.	SECTION 4 PAGES 7/8
41	40506	TUBE	1						
42	40975	CLAMP	A.R.		93		PUMP GEARBOX ASSEMBLY	REF.	SECTION 4 PAGES 23/24
43	12A-228	O RING	1	AS REQ'D					
44	22A-200	CLAMP	4		94		SOLENOID VALVE ASSEMBLY	REF.	SECTION 4 PAGES 33/34
45	108A-2420	CONNECTOR	2						
46	108B-2420	CONNECTOR	1						
47	108C-2420	CONNECTOR	1						
48	108C-2424	CONNECTOR	1						
49	110E-08	CAP	1						
50	110E-12	CAP	1						
51	110R-1212	CONNECTOR	4						
52	110AH-2012	ADAPTER	A.R.						
53	110AH-2016	ADAPTER	A.R.						
54	110AH-2420	ADAPTER	A.R.						



ISSUE No.
 N° D'ÉMISSION
 N° DE EDICION 2 REVISION A

PRIMARY HYDRAULIC CIRCUIT - MODEL 720A THRU 740A

AUGUST 1987

FOR LIST OF PARTS - TURN THIS PAGE

POUR LA LISTE DES PIÈCES - VOIR AU VERSO

PARA LA LISTA DE LAS PIEZAS - VER AL VERSO

EFFECTIVE SERIAL NUMBERS) 16799 & UP
 NUMEROS) DE SERIE EFFECTIFS)
 NUMEROS) DE SERIE EFFECTIVOS)
 U.S. 2438-2 & UP

700 SERIES
 SERIE 700

SECTION 4
 SECTION 4
 PAGE 17
 PAGINA 17

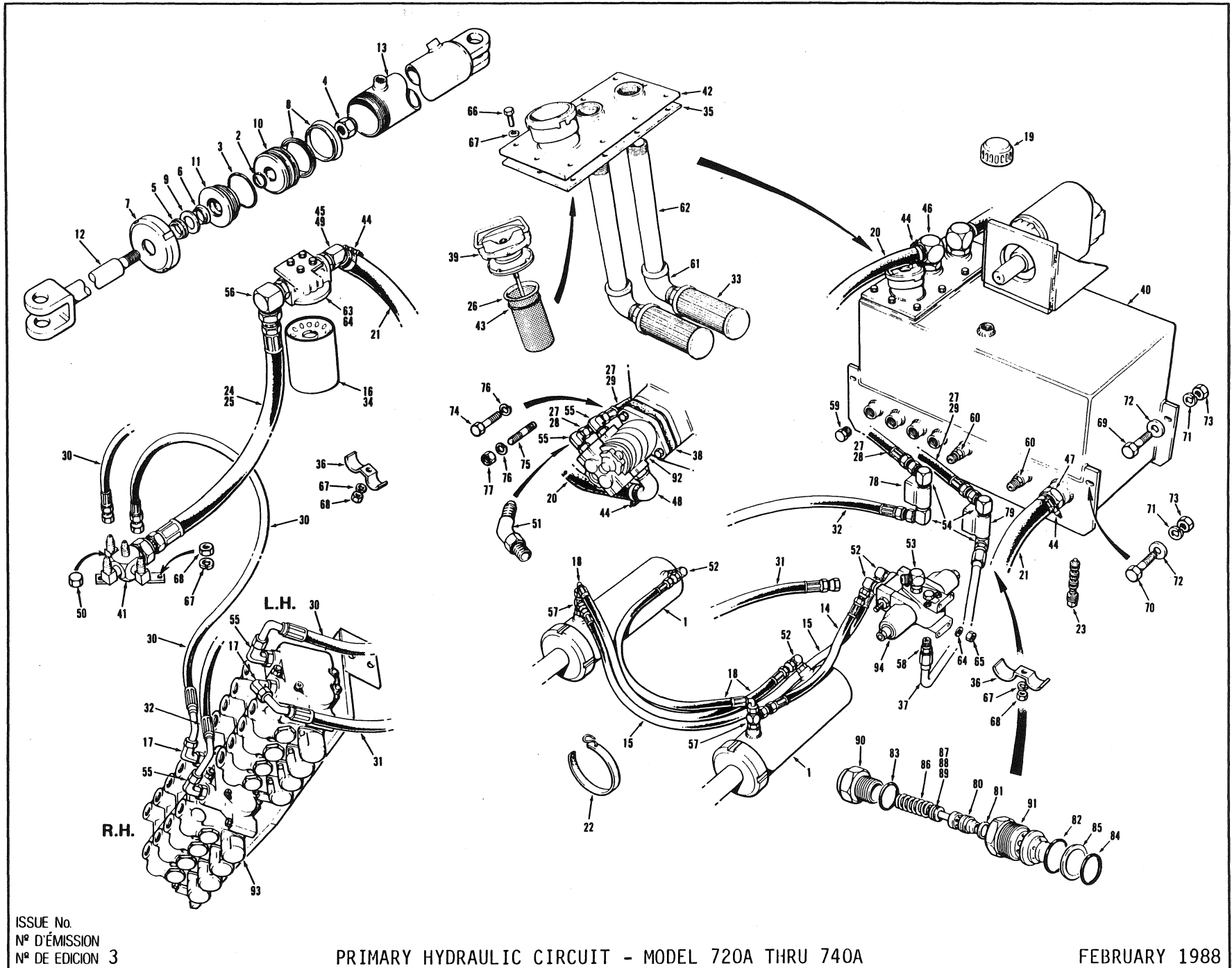
USE ONLY CHAMPION ROAD MACHINERY APPROVED PARTS

SECTION SECCION	PAGE PAGINA	ISSUE No. N° D'ÉMISSION N° DE EDICION	2 REVISION A	PRIMARY HYDRAULIC CIRCUIT - MODEL 720A THRU 740A	AUGUST 1987				
No. N° N°	PART No. N° DE PIÉCE N° DE PIEZA	DESCRIPTION DÉSCRIPTION DESCRIPCION	No. REQ. N° REQ. N° REQ.	REMARKS REMARQUES NOTAS	No. N° N°	PART No. N° DE PIÉCE N° DE PIEZA	DESCRIPTION DÉSCRIPTION DESCRIPCION	No. REQ. N° REQ. N° REQ.	REMARKS REMARQUES NOTAS
1	41928	ARTICULATION CYLINDER ASSEMBLY INCLUDES ITEMS 2 TO 13	2		54	111A-1212	CONNECTOR	2	LT-10-C
2	12A-218	O RING	1		55	111B-0808	CONNECTOR	4	
3	*44245	O RING	1		56	111B-1208	CONNECTOR	1	
4	37N-20	LOCKNUT	1		57	111B-1210	CONNECTOR	4	
5	12035	WIPER RING	1		58	111B-1212	CONNECTOR	2	6CT8.3
6	12037	ROD SEAL	1		59	111B-2420	CONNECTOR	1	
7	13007	CYLINDER NUT	1		60	111D-0808	TEE	2	
8	16999	PISTON SEAL	2		61	111E-1208	CONNECTOR	1	
9	*17614	WASHER	1		62	111E-1212	CONNECTOR	2	
10	17611	PISTON	1		63	111H-12	PLUG	A.R.	
11	17612	GLAND	1		64	111P-12	CONNECTOR	2	
12	23978	PISTON ROD	1		65	112A-12	CONNECTOR	1	
13	41929	CYLINDER BARREL	1		66	112B-12	CONNECTOR	2	
	26410	REPAIR KIT FOR 41928 CYL. ASSY. - INCLUDES ITEMS 2 TO 6,8 & 9	A.R.		67	115E-08	PLUG	1	
					68	115J-2424	ELBOW	2	
					69	115Z-2420	NIPPLE	2	
14	9313 X 28	HOSE	1		70	50A-0508	BOLT	4	
15	9313 X 53.5	HOSE	1		71	14A-05	LOCKWASHER	4	
16	13028	FILTER ELEMENT - INCLUDES GASKET	1		72	50A-0610	BOLT	10	
17	*14292	CONNECTOR	1		73	14A-06	LOCKWASHER	A.R.	
18	14379 X 90	HOSE	1		74	30A-06	NUT	A.R.	
19	14382 X 36	HOSE	2		75	50A-1016	BOLT	2	
20	16894	AIR BREATHER	1		76	50A-1018	BOLT	2	
21	17156 X 24	HOSE	1		77	14A-10	LOCKWASHER	4	
22	17156 X 67	HOSE	1		78	14C-10	FLATWASHER	4	
23	19588	STRAP	2		79	30A-10	NUT	4	
24	27449	MAGNETIC PLUG	1		80	*350A-12040	BOLT	2	
25	27739 X 109	HOSE	1		81	*354E-12075	STUD	2	
26	28008	STRAINER - INCLUDES ITEM 45	1		82	*314A-12	LOCKWASHER	2	
27	28485 X 28	HOSE	1	LT-10-C	83	330A-12	NUT	2	
28	28485 X 42	HOSE	1	6CT8.3					
29	28485 X 47	HOSE	1	6CT8.3					
30	28485 X 188	HOSE	1						
31	28485 X 212	HOSE	1		84	40503	RELIEF VALVE ASSY. - INCLUDES ITEMS 86 TO 97	1	
32	32668	STRAINER	2		85	40504	RELIEF VALVE ASSY. - INCLUDES ITEMS 86 TO 97	1	
33	40288	MALE CROSS	1			27547	SERVICE KIT- INCLUDES ITEMS 86 & 87	A.R.	
34	40290	MALE CROSS	1		86		POPPET	1	
35	40320	OIL FILTER - C/W ITEM 16	1		87		PISTON RING	1	
36	40425	GASKET	1			*45549	SEAL KIT - INCLUDES ITEMS 88 TO 91	A.R.	
37	40505	TUBE	1		88		O RING	1	
38	40506	TUBE	1		89		O RING	1	
39	*40854	CLAMP	3		90		O RING	1	
40	42292	TUBE	1		91		BACK UP WASHER	1	
41	42794	GASKET	1		92	27552	SPRING	1	
42	44672	FILLER CAP - INCLUDES DIPSTICK	1		93	50067	SHIM - .010"(0,25mm)THICK	A.R.	
43	*45356	HYDRAULIC OIL TANK	1		94	50066	SHIM - .020"(0,51mm)THICK	A.R.	
44	*50043	ACCESS PLATE	1		95	50065	SHIM - .040"(1,02mm)THICK	A.R.	
45	12A-228	O RING	1	AS REQ'D	96		CAP	1	
46	22A-200	CLAMP	4		97		BODY	1	
47	108A-2420	CONNECTOR	1	LT-10-C	98		HYDRAULIC PUMP	REF.	SECTION 4 PAGE 2
48	108A-2424	CONNECTOR	2		99		MANIFOLD VALVE ASSEMBLY	REF.	SECTION 4 PAGE 8
49	108C-2424	CONNECTOR	1		100		SOLENOID VALVE ASSEMBLY	REF.	SECTION 4 PAGE 34
50	108G-2420	CONNECTOR	1						
51	108H-2420	CONNECTOR	1						
52	110E-08	CAP	1						
53	110E-12	CAP	1						

EFFECTIVE SERIAL NUMBERS) 18578, 18590, 18592 & UP
 NUMEROSI DE SERIE EFFECTIFS)
 NUMEROSI DE SERIE EFECTIVOS)

700 SERIES
 SERIE 700

SECTION 4 PAGE 17
 SECCION 4 PAGINA 17



ISSUE No.
 N° D'ÉMISSION
 N° DE EDICION 3

PRIMARY HYDRAULIC CIRCUIT - MODEL 720A THRU 740A

FEBRUARY 1988

FOR LIST OF PARTS - TURN THIS PAGE

POUR LA LISTE DES PIÈCES - VOIR AU VERSO

PARA LA LISTA DE LAS PIEZAS - VER AL VERSO

USE ONLY CHAMPION GOLD MACHINERY APPROVED PARTS

SECTION SECCION 4		PAGE PAGINA 18	ISSUE No. N° D'ÉMISSION N° DE EDICION 3	PRIMARY HYDRAULIC CIRCUIT - MODEL 720A THRU 740A				FEBRUARY 1988	
No. N° N°	PART No. N° DE PIÈCE N° DE PIEZA	DESCRIPTION DÉSCRIPTION DESCRIPCION	No. REQ. N° REQ. N° REQ.	REMARKS REMARQUES NOTAS	No. N° N°	PART No. N° DE PIECE N° DE PIEZA	DESCRIPTION DÉSCRIPTION DESCRIPCION	No. REQ. N° REQ. N° REQ.	REMARKS REMARQUES NOTAS
1	41928	ARTICULATION CYLINDER ASSEMBLY INCLUDES ITEMS 2 TO 13	2		51	111A-1212	CONNECTOR	2	LT-10-C
2	12A-218	O RING	1		52	111B-0808	CONNECTOR	4	
3	44245	O RING	1		53	111B-1208	CONNECTOR	1	
4	37N-20	LOCKNUT	1		54	111B-1210	CONNECTOR	4	
5	12035	WIPER RING	1		55	111B-1212	CONNECTOR	4	ECT8.3
6	12037	ROD SEAL	1					2	LT-10-C
7	13007	CYLINDER NUT	1		56	111B-2420	CONNECTOR	1	
8	16999	PISTON SEAL	2		57	111D-0808	TEE	2	
9	17614	WASHER	1		58	111E-1208	CONNECTOR	1	
10	17611	PISTON	1		59	111H-12	PLUG	A.R.	
11	17612	GLAND	1		60	*111P-10	CONNECTOR	2	
12	23978	PISTON ROD	1		61	115J-2424	ELBOW	2	
13	41929	CYLINDER BARREL	1		62	115Z-2420	NIPPLE	2	
	26410	REPAIR KIT FOR 41928 CYL. ASSY. - INCLUDES ITEMS 2 TO 6,8 & 9	A.R.		63	50A-0508	BOLT	4	
					64	14A-05	LOCKWASHER	8	
					65	30A-05	NUT	4	
14	9313 X 28	HOSE	1		66	50A-0610	BOLT	10	
15	9313 X 53.5	HOSE	1		67	14A-06	LOCKWASHER	15	
16	13028	FILTER ELEMENT - INCLUDES GASKET	1		68	30A-06	NUT	5	
17	14292	CONNECTOR	2		69	50A-1016	BOLT	2	
18	14382 X 36	HOSE	2		70	50A-1018	BOLT	2	
19	16894	AIR BREATHER	1		71	14A-10	LOCKWASHER	4	
20	17156 X 24	HOSE	1		72	14C-10	FLATWASHER	4	
21	17156 X 67	HOSE	1		73	30A-10	NUT	4	
22	19588	STRAP	2		74	350A-12040	BOLT	2	
23	27449	MAGNETIC PLUG	1		75	354E-12075	STUD	2	
24	27739 X 60	HOSE	1	ECT8.3	76	314A-12	LOCKWASHER	2	
25	27739 X 109	HOSE	1	LT-10-C	77	330A-12	NUT	2	
26	28008	STRAINER - INCLUDES ITEM 43	1						RELIEF VALVE ASSEMBLY
27	28485 X 28	HOSE	2	LT-10-C					
28	28485 X 42	HOSE	1	ECT8.3	78	40503	RELIEF VALVE ASSY. - INCLUDES ITEMS 80 TO 91	1	
29	28485 X 47	HOSE	1	ECT8.3					
30	*28696 X 24	HOSE	2		79	40504	RELIEF VALVE ASSY. - INCLUDES ITEMS 80 TO 91	1	
31	28696 X 120	HOSE	1						
32	28696 X 140	HOSE	1			27547	SERVICE KIT- INCLUDES ITEMS 80 & 81	A.R.	
33	32668	STRAINER	2		80		POPPET	1	
34	40320	OIL FILTER - C/W ITEM 16	1		81		PISTON RING	1	
35	40425	GASKET	1			45549	SEAL KIT - INCLUDES ITEMS 82 TO 85	A.R.	
36	40854	CLAMP	3		82		O RING	1	
37	42292	TUBE	1		83		O RING	1	
38	42794	GASKET	1		84		O RING	1	
39	44672	FILLER CAP - INCLUDES DIPSTICK	1		85		BACK UP WASHER	1	
40	45356	HYDRAULIC OIL TANK	1		86	27552	SFRING	1	
41	*45942	CROSS	1		87	50067	SHIM - .010" (0,25mm) THICK	A.R.	
42	50043	ACCESS FLATE	1		88	50066	SHIM - .020" (0,51mm) THICK	A.R.	
43	12A-228	O RING	1	AS REQ'D	89	50065	SHIM - .040" (1,02mm) THICK	A.R.	
44	22A-200	CLAMP	4		90		CAP	1	
45	108A-2420	CONNECTOR	1	ECT8.3	91		BODY	1	
46	108A-2424	CONNECTOR	2		92		HYDRAULIC PUMP	REF.	SECTION 4 PAGE 2
47	108C-2424	CONNECTOR	1						SECTION 4 PAGE 8
48	108G-2420	CONNECTOR	1		93		MANIFOLD VALVE ASSEMBLY	REF.	SECTION 4 PAGE 38
49	108H-2420	CONNECTOR	1	LT-10-C					
50	110E-12	CAP	1		94		SOLENOID VALVE ASSEMBLY	REF.	

EFFECTIVE SERIAL NUMBER(S)
 NUMEROS(S) DE SERIE EFFECTIFS(S)
 NUMEROS(S) DE SERIE EFFECTIVOS(S)

19237 UP TO 19493

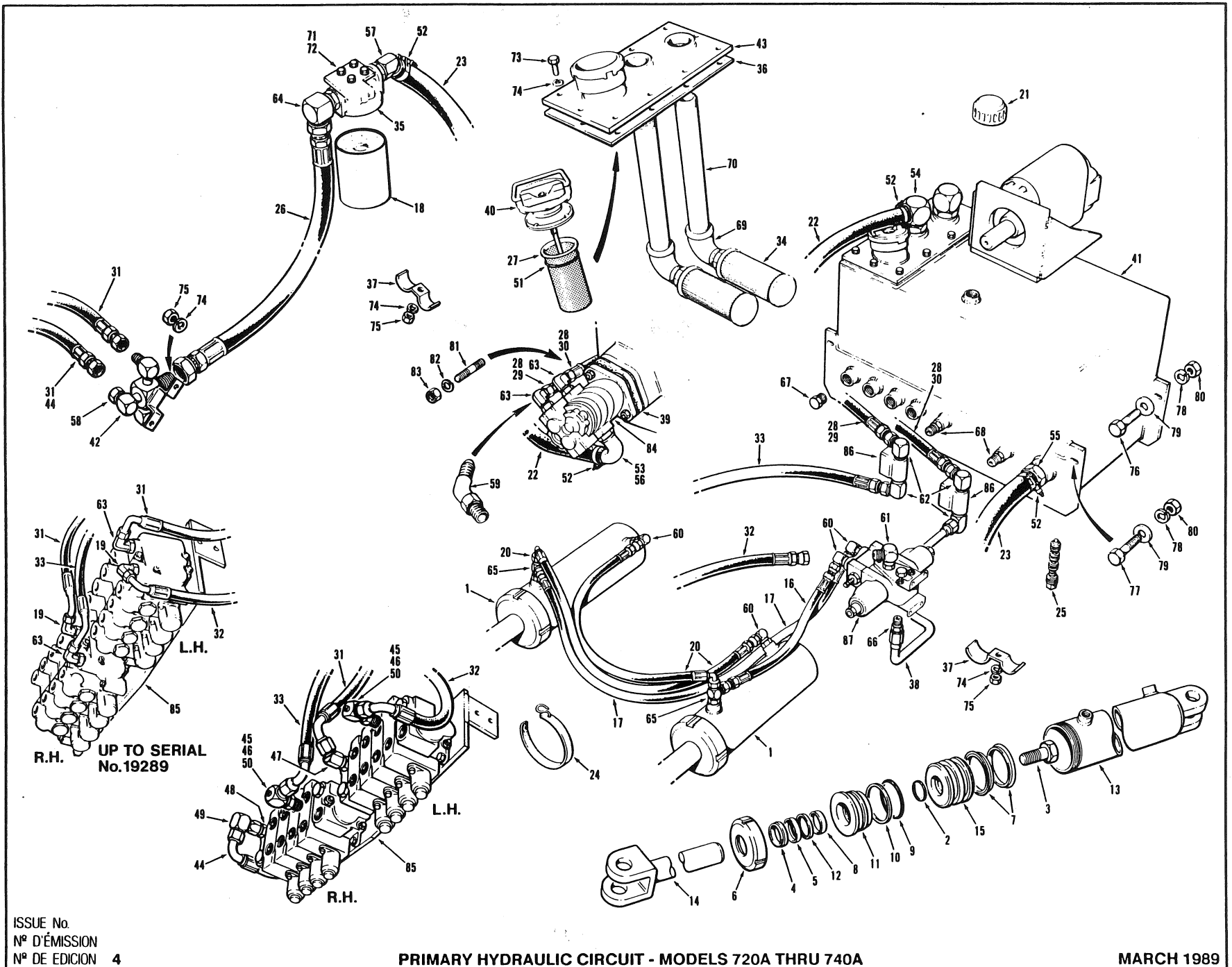
700 SERIES
 SERIE 700

SECTION
 SECCION

4

PAGE
 PAGINA

17



ISSUE No.
 N° D'ÉMISSION
 N° DE EDICION 4

PRIMARY HYDRAULIC CIRCUIT - MODELS 720A THRU 740A

MARCH 1989

FOR LIST OF PARTS - TURN THIS PAGE

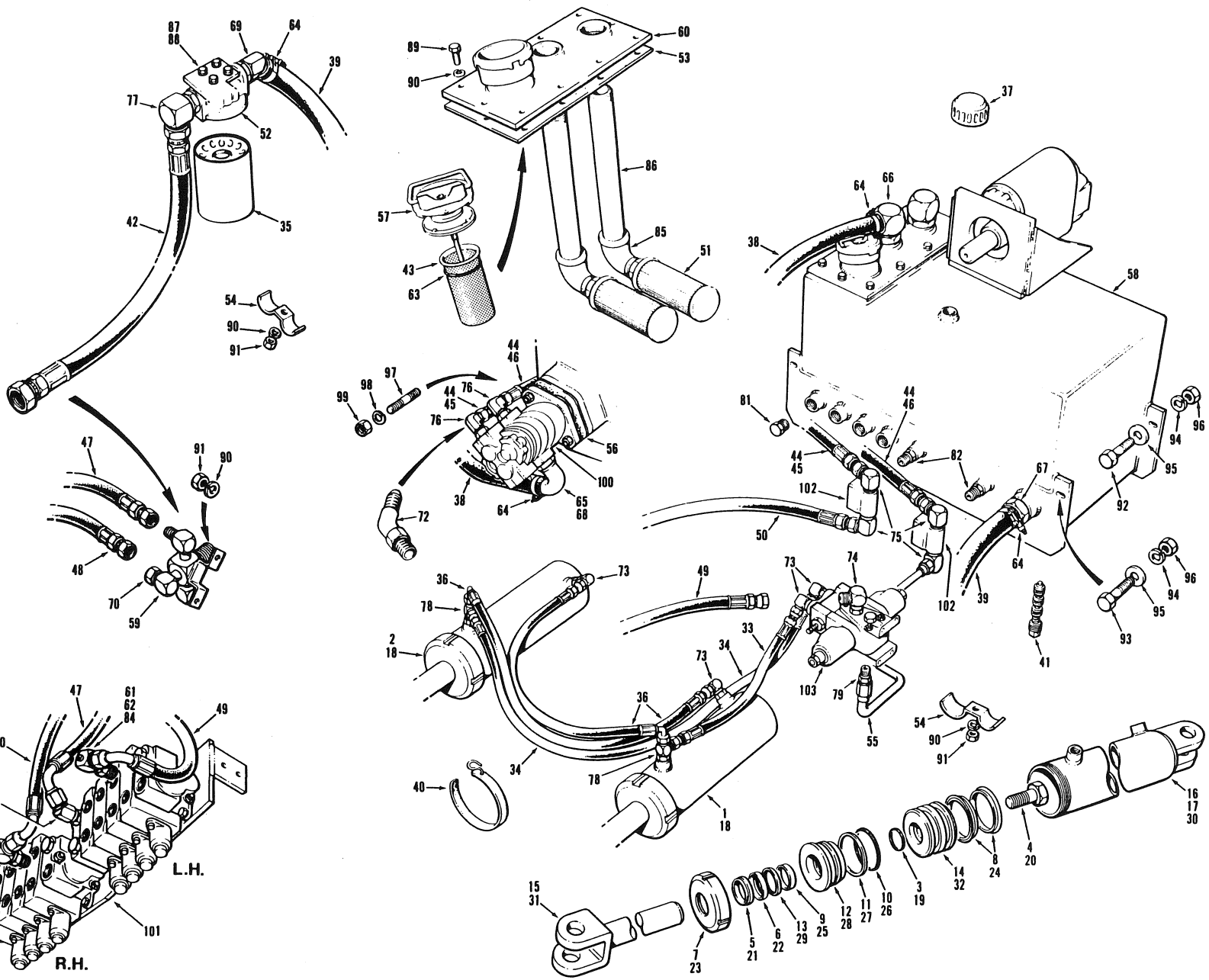
POUR LA LISTE DES PIÈCES - VOIR AU VERSO

PARA LA LISTA DE LAS PIEZAS - VER AL VERSO

USE ONLY CHAMPION ROAD MACHINERY APPROVED PARTS

SECTION SECCION		PAGE PAGINA		ISSUE No. N° D'ÉMISSION N° DE EDICION		PRIMARY HYDRAULIC CIRCUIT - MODELS 720A THRU 740A				MARCH 1989	
No. N° N°	PART No. N° DE PIÈCE N° DE PIEZA	DESCRIPTION DÉSCRIPTION DESCRIPCION	No. REQ. N° REQ. N° REQ.	REMARKS REMARQUES NOTAS	No. N° N°	PART No. N° DE PIÈCE N° DE PIEZA	DESCRIPTION DÉSCRIPTION DESCRIPCION	No. REQ. N° REQ. N° REQ.	REMARKS REMARQUES NOTAS		
1	*46063	ARTICULATION CYLINDER ASSEMBLY - INCLUDES ITEMS 2 TO 15	2		44	*28696X36	HOSE	1			
2	*12A-224	O RING	1		45	*51485	CONNECTOR	2	S/N 19293 & UP		
3	*50A-1620	BOLT	1		46	*51486	CONNECTOR ASSY. - INCLUDES ITEMS 46 & 51	2			
4	12035	WIPER RING	1		47	*111A-1210	CONNECTOR	1			
5	12037	ROD SEAL	1		48	*111E-1210	CONNECTOR	1			
6	13007	CYLINDER NUT	1		49	*112B-12	ELBOW	1			
7	16999	PISTON SEAL	2		50	*115D-02	PLUG	2			
8	*43074	WEAR RING	1		51	12A-228	O RING	1			
9	44245	O RING	1		52	22A-200	CLAMP	4			
10	*44344	BACK-UP RING	1		53	108A-2420	CONNECTOR	1		740A	
11	*45735	GLAND	1		54	108A-2424	CONNECTOR	1			
12	*45890	BUFFER RING	1		55	108C-2424	CONNECTOR	1			
13	*46064	CYLINDER BARREL	1		56	108G-2420	CONNECTOR	1		720/730A	
14	*46322	PISTON ROD	1		57	108H-2420	CONNECTOR	1			
15	*46844	PISTON	1		58	110E-12	CAP	1			
	*49158	REPAIR KIT FOR 46063 CYLINDER ASSEMBLY - INCLUDES ITEMS 2 TO 5, 7 TO 10 & 12	A.R.		59	111A-1212	CONNECTOR	2		740A	
16	9313X28	HOSE	1		60	111B-0808	CONNECTOR	4			
17	9313X53.5	HOSE	1		61	111B-1208	CONNECTOR	1			
18	13028	FILTER ELEMENT - INCLUDES GASKET	1		62	111B-1210	CONNECTOR	4			
19	14292	CONNECTOR	2	UP TO S/N 19289	63	111B-1212	CONNECTOR	A.R.	720A/730A/ 740A		
20	14382X36	HOSE	2		64	111B-2420	CONNECTOR	1			
21	16894	AIR BREATHER	1		65	111D-0808	TEE	2			
22	17156X24	HOSE	1		66	111E-1208	CONNECTOR	1			
23	17156X67	HOSE	1		67	111H-12	PLUG	A.R.			
24	19588	STRAP	2		68	111P-10	CONNECTOR	2			
25	27449	MAGNETIC PLUG	1		69	115J-2424	ELBOW	2			
26	27739X109	HOSE	1		70	115Z-2420	NIPPLE	2			
27	28008	STRAINER - INCLUDES ITEM 51	1		71	50A-0508	BOLT	4			
28	28485X28	HOSE	2	740A	72	14A-05	LOCKWASHER	4			
29	28485X42	HOSE	1		73	50A-0610	BOLT	10			
30	28485X47	HOSE	1	720A/730A	74	14A-06	LOCKWASHER	15			
31	28696X24	HOSE	1 or 2		75	30A-06	NUT	5			
32	28696X120	HOSE	1		76	50A-1016	BOLT	2			
33	28696X140	HOSE	1		77	50A-1018	BOLT	2			
34	32668	STRAINER	2		78	14A-10	LOCKWASHER	4			
35	40320	OIL FILTER - C/W ITEM 18	1		79	14C-10	FLATWASHER	4			
36	40425	GASKET	1		80	30A-10	NUT	4			
37	40854	CLAMP	3		81	354E-12075	STUD	2			
38	42292	TUBE	1		82	314A-12	LOCKWASHER	2			
39	42794	GASKET	1		83	330A-12	NUT	2			
40	44672	FILLER CAP - INCLUDES DIPSTICK	1		84		HYDRAULIC PUMP	REF.	SECTION 4 PAGE 2		
41	45356	HYDRAULIC OIL TANK	1		85		MANIFOLD VALVE ASSEMBLY	REF.	SECTION 4 PAGE 8		
42	45942	CROSS	1		86		RELIEF VALVE ASSEMBLY	REF.	SECTION 4 PAGE 14		
43	50043	ACCESS PLATE	1		87		SOLENOID VALVE ASSEMBLY	REF.	SECTION 4 PAGE 38		

CHAMPION ROAD MACHINERY



ISSUE No.
N° D'ÉMISSION
N° DE EDICION 5

PRIMARY HYDRAULIC CIRCUIT - MODELS 720A THRU 740A

MARCH 1989

FOR LIST OF PARTS - TURN THIS PAGE POUR LA LISTE DES PIÈCES - VOIR AU VERSO PARA LA LISTA DE LAS PIEZAS - VER AL VERSO

EFFECTIVE SERIAL NUMBERS) 19496 & UP
NUMEROS) DE SERIE EFFECTIFS)
NUMEROS) DE SERIE EFFECTIVOS)

700 SERIES
SERIE 700

SECTION 4 PAGE 17
SECCION 4 PAGINA 17

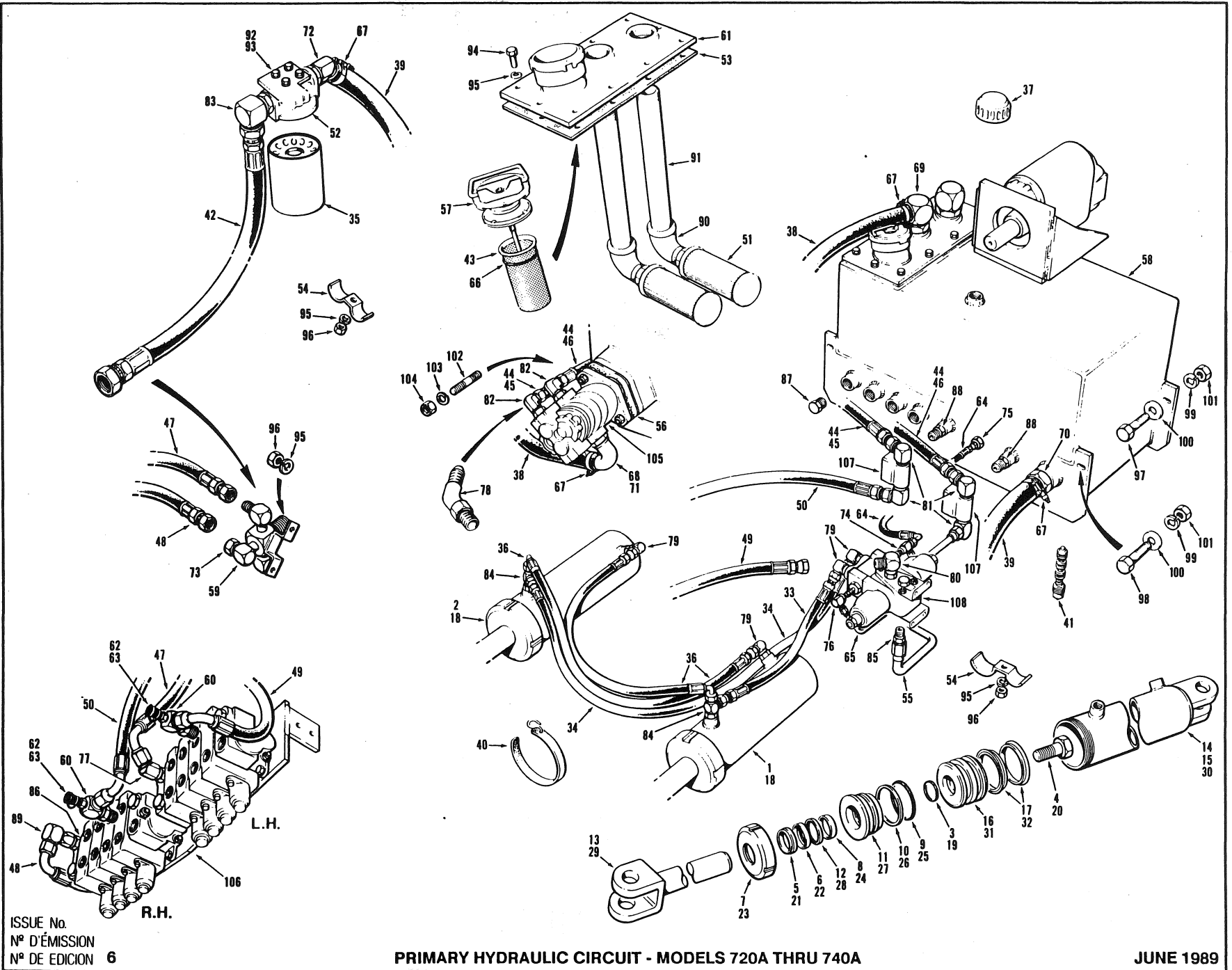
USE ONLY CHAMPION APPROVED PARTS

SECTION SECCION		PAGE PAGINA		ISSUE No. N° D'ÉMISSION N° DE EDICION		PRIMARY HYDRAULIC CIRCUIT - MODELS 720A THRU 740A			MARCH 1989	
No. N° N°	PART No. N° DE PIÈCE N° DE PIEZA	DESCRIPTION DÉSCRIPTION DESCRIPCION	No. REQ. N° REQ. N° REQ.	REMARKS REMARQUES NOTAS	No. N° N°	PART No. N° DE PIECE N° DE PIEZA	DESCRIPTION DÉSCRIPTION DESCRIPCION	No. REQ. N° REQ. N° REQ.	REMARKS REMARQUES NOTAS	
1	*51649	ARTICULATION CYLINDER ASSY. - L.H. - INCLUDES ITEMS 3 TO 16	1		51	32668	STRAINER	2		
2	*51650	ARTICULATION CYLINDER ASSY. - R.H. - INCLUDES ITEMS 3 TO 15 & 17	1		52	40320	OIL FILTER - C/W ITEM 35	1		
3	12A-224	O RING	1		53	40425	GASKET	1		
4	50A-1620	BOLT	1		54	40854	CLAMP	3		
5	12035	WIPER RING	1		55	42292	TUBE	1		
6	12037	ROD SEAL	1		56	42794	GASKET	1		
7	13007	CYLINDER NUT	1		57	44672	FILLER CAP - INCLUDES DIPSTICK	1		
8	16999	PISTON SEAL	2		58	45356	HYDRAULIC OIL TANK	1		
9	43074	WEAR RING	1		59	45942	CROSS	1		
10	44245	O RING	1		60	50043	ACCESS PLATE	1		
11	44344	BACK-UP RING	1		61	51485	CONNECTOR	2		
12	45735	GLAND	1		62	51486	CONNECTOR ASSY. - INCLUDES ITEMS 61 & 84	2		
13	45890	BUFFER RING	1		63	12A-228	O RING	1		
14	46844	PISTON	1		64	22A-200	CLAMP	4		
15	*48400	PISTON ROD	1		65	108A-2420	CONNECTOR	1	740A	
16	*51651	CYLINDER BARREL - L.H.	1		66	108A-2424	CONNECTOR	1		
17	*51652	CYLINDER BARREL - R.H.	1		67	108C-2424	CONNECTOR	1		
		ARTICULATION CYLINDER ASSY. - MODEL 740A			68	108G-2420	CONNECTOR	1	720A/730A	
18	46063	ARTICULATION CYLINDER ASSY. - INCLUDES ITEMS 19 TO 32	2		69	108H-2420	CONNECTOR	1		
19	12A-224	O RING	1		70	110E-12	CAP	1		
20	50A-1620	BOLT	1		71	111A-1210	CONNECTOR	1		
21	12035	WIPER RING	1		72	111A-1212	CONNECTOR	2	740A	
22	12037	ROD SEAL	1		73	111B-0808	CONNECTOR	4		
23	13007	CYLINDER NUT	1		74	111B-1208	CONNECTOR	1		
24	16999	PISTON SEAL	2		75	111B-1210	CONNECTOR	4		
25	43074	WEAR RING	1		76	111B-1212	CONNECTOR	2	720A/730A	
26	44245	O RING	1		77	111B-2420	CONNECTOR	1		
27	44344	BACK-UP RING	1		78	111D-0808	TEE	2		
28	45735	GLAND	1		79	111E-1208	CONNECTOR	1		
29	45890	BUFFER RING	1		80	111E-1210	CONNECTOR	1		
30	46064	CYLINDER BARREL	1		81	111H-12	PLUG	3		
31	46322	PISTON ROD	1		82	111P-10	CONNECTOR	2		
32	46844	PISTON	1		83	112B-12	CONNECTOR	1		
	49158	REPAIR KIT FOR 46063, 51649 & 51650 CYL. ASSEMBLIES - INCLUDES ITEMS 3 TO 6, 8 TO 11, 13, 19 TO 22, 24 TO 27 & 29	A.R.		84	115D-02	PLUG	2		
33	9313X28	HOSE	1		85	115J-2424	ELBOW	2		
34	9313X53.5	HOSE	1		86	115Z-2420	NIPPLE	2		
35	13028	FILTER ELEMENT - INCLUDES GASKET	1		87	50A-0508	BOLT	4		
36	14382X36	HOSE	2		88	14A-05	LOCKWASHER	4		
37	16894	AIR BREATHER	1		89	50A-0610	BOLT	10		
38	17156X24	HOSE	1		90	14A-06	LOCKWASHER	15		
39	17156X67	HOSE	1		91	30A-06	NUT	5		
40	19588	STRAP	3		92	50A-1016	BOLT	2		
41	27449	MAGNETIC PLUG	1		93	50A-1018	BOLT	2		
42	27739X109	HOSE	1		94	14A-10	LOCKWASHER	4		
43	28008	STRAINER - INCLUDES ITEM 63	1		95	14C-10	FLATWASHER	4		
44	28485X28	HOSE	2		96	30A-10	NUT	4		
45	28485X42	HOSE	1		97	354E-12075	STUD	2		
46	28485X47	HOSE	1		98	314A-12	LOCKWASHER	2		
47	28696X24	HOSE	1		99	330A-12	NUT	2		
48	28696X36	HOSE	1		100		HYDRAULIC PUMP	REF.	SECTION 4 PAGE 2	
49	28696X120	HOSE	1		101		MANIFOLD VALVE ASSEMBLY	REF.	SECTION 4 PAGE 8	
50	28696X140	HOSE	1		102		RELIEF VALVE ASSEMBLY	REF.	SECTION 4 PAGE 14	
					103		SOLENOID VALVE ASSEMBLY	REF.	SECTION 4 PAGE 38	

EFFECTIVE SERIAL NUMBERS) 20012 to 20015, 20017 & UP
 NUMÉROS) DE SÉRIE EFFECTIFS) 20012 to 20015, 20017 & UP
 NUMEROS) DE SERIE EFECTIVOS)

700 SERIES
 SERIE 700

SECTION 4 PAGE 17
 SECCION 4 PAGINA 17



ISSUE No. 6
 N° D'ÉMISSION 6
 N° DE EDICION 6

PRIMARY HYDRAULIC CIRCUIT - MODELS 720A THRU 740A

JUNE 1989

FOR LIST OF PARTS - TURN THIS PAGE

POUR LA LISTE DES PIÈCES - VOIR AU VERSO

PARA LA LISTA DE LAS PIEZAS - VER AL VERSO

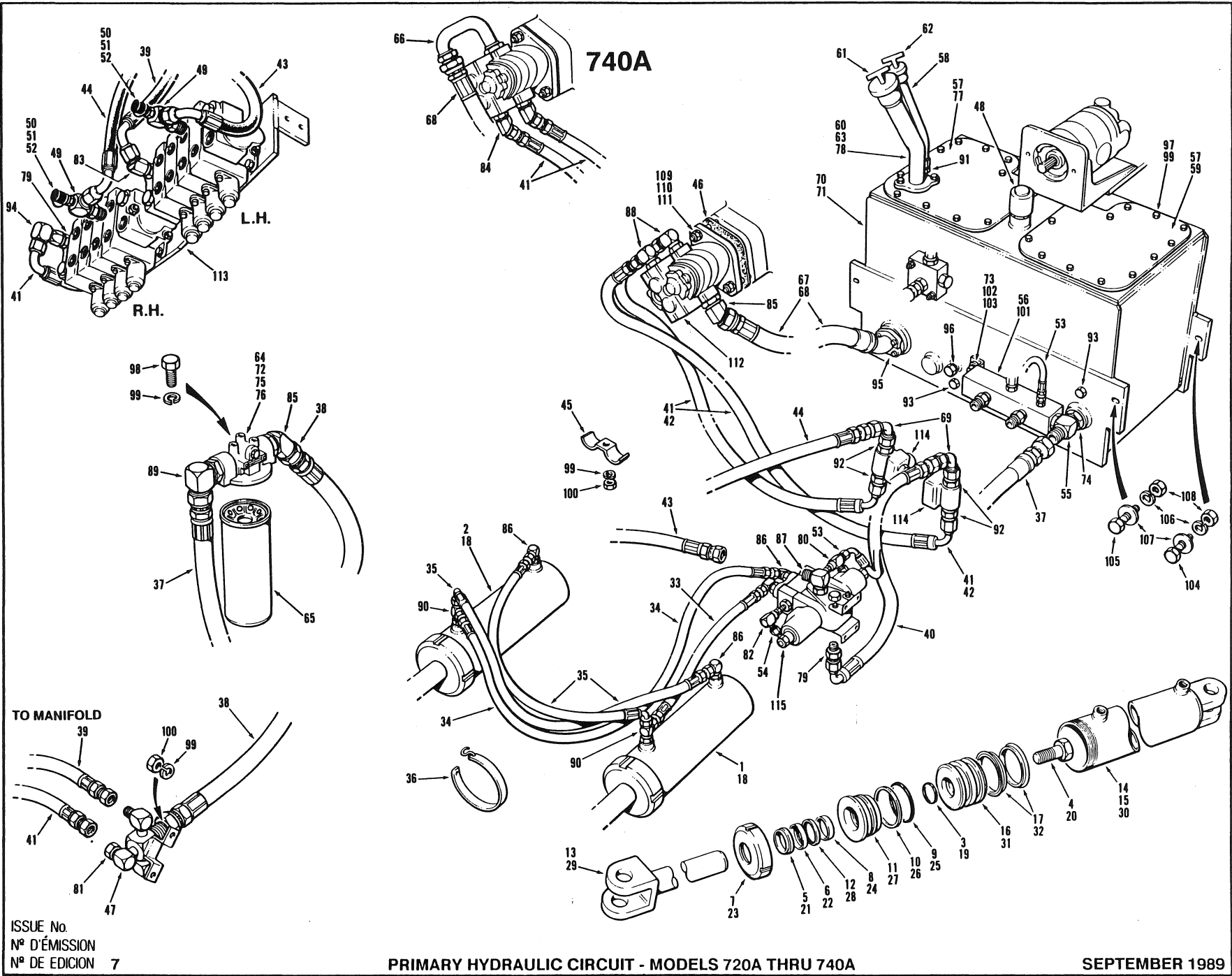
USE ONLY CHAMPION H. J. MACHINERY APPROVED PARTS

SECTION SECCION	4	PAGE PAGINA	18	ISSUE No. N° D'ÉMISSION N° DE EDICION	6	PRIMARY HYDRAULIC CIRCUIT - MODELS 720A THRU 740A				JUNE 1989
No. N° N°	PART No. N° DE PIÈCE N° DE PIEZA	DESCRIPTION DESCRIPTION DESCRIPCION	No. REQ. N° REQ. N° REQ.	REMARKS REMARQUES NOTAS	No. N° N°	PART No. N° DE PIECE N° DE PIEZA	DESCRIPTION DESCRIPTION DESCRIPCION	No. REQ. N° REQ. N° REQ.	REMARKS REMARQUES NOTAS	
1	*53783	ARTICULATION CYLINDER ASSY. - L.H. - INCLUDES ITEMS 3 TO 14, 16, 17	1	MODELS 720A & 730A	52	40320	OIL FILTER - C/W ITEM 35	1		
2	*53784	ARTICULATION CYLINDER ASSY. - R.H. - INCLUDES ITEMS 3 TO 13 & 15 TO 17	1		53	40425	GASKET	1		
3	12A-224	O RING	1		54	40854	CLAMP	3		
4	50A-1620	BOLT	1		55	42292	TUBE	1		
5	12035	WIPER RING	1		56	42794	GASKET	1		
6	12037	ROD SEAL	1		57	44672	FILLER CAP - INCLUDES DIPSTICK	1		
7	13007	CYLINDER NUT	1		58	45356	HYDRAULIC OIL TANK	1		
8	43074	WEAR RING	1		59	45942	CROSS	1		
9	44245	O RING	1		60	*49837	CONNECTOR	2		
10	44344	BACK-UP RING	1		61	50043	ACCESS PLATE	1		
11	45735	GLAND	1		62	*51286	CONNECTOR	2		
12	45890	BUFFER RING	1		63	*51288	DUST CAP	2		
13	48400	PISTON ROD	1		64	*52086X35	HOSE	1		
14	*53781	CYLINDER BARREL - L.H.	1		65	*52087	TUBE	1		
15	*53782	CYLINDER BARREL - R.H.	1		66	12A-228	O RING	1		
16	*53797	PISTON	1		67	22A-200	CLAMP	4		
17	*53799	PISTON SEAL	2		68	108A-2420	CONNECTOR	1	740A	
18	*53788	ARTICULATION CYLINDER ASSY. - INCLUDES ITEMS 19 TO 32	2	MODELS 740A thru 780A	69	108A-2424	CONNECTOR	1		
19	12A-224	O RING	1		70	108C-2424	CONNECTOR	1		
20	50A-1620	BOLT	1		71	108G-2420	CONNECTOR	1	720A/730A	
21	12035	WIPER RING	1		72	108H-2420	CONNECTOR	1		
22	12037	ROD SEAL	1		73	110E-12	CAP	1		
23	13007	CYLINDER NUT	1		74	*110AE-0402	TEE	1		
24	43074	WEAR RING	1		75	*110G-0408	CONNECTOR	1		
25	44245	O RING	1		76	*110U-0402	CONNECTOR	1		
26	44344	BACK-UP RING	1		77	111A-1210	CONNECTOR	1		
27	45735	GLAND	1		78	111A-1212	CONNECTOR	2	740A	
28	45890	BUFFER RING	1		79	111B-0808	CONNECTOR	4		
29	46322	PISTON ROD	1		80	111B-1208	CONNECTOR	1		
30	*53787	CYLINDER BARREL	1		81	111B-1210	CONNECTOR	4		
31	*53797	PISTON	1		82	111B-1212	CONNECTOR	2	720A/730A	
32	*53799	PISTON SEAL	2		83	111B-2420	CONNECTOR	1		
	*54436	REPAIR KIT FOR 53783, 53784 & 53788 CYLINDER ASSEMBLIES - INCLUDES ITEMS 3 TO 6, 8 TO 10, 12 & 17, 19 TO 22, 24 TO 26, 28 & 32	A.R.		84	111D-0808	TEE	2		
33	9313X28	HOSE	1		85	111E-1208	CONNECTOR	1		
34	9313X53.5	HOSE	1		86	111E-1210	CONNECTOR	1		
35	13028	FILTER ELEMENT - INCLUDES GASKET	1		87	111H-12	PLUG	3		
36	14382X36	HOSE	2		88	111P-10	CONNECTOR	2		
37	16894	AIR BREATHER	1		89	112B-12	CONNECTOR	1		
38	17156X24	HOSE	1		90	115J-2424	ELBOW	2		
39	17156X67	HOSE	1		91	115Z-2420	NIPPLE	2		
40	19588	STRAP	1		92	50A-0508	BOLT	4		
41	27449	MAGNETIC PLUG	1		93	14A-05	LOCKWASHER	4		
42	27739X109	HOSE	1		94	50A-0610	BOLT	10		
43	28008	STRAINER - INCLUDES ITEM 66	1		95	14A-06	LOCKWASHER	15		
44	28485X28	HOSE	2	740A 720A & 730A	96	30A-06	NUT	5		
45	28485X42	HOSE	1		97	50A-1016	BOLT	2		
46	28485X47	HOSE	1		98	50A-1018	BOLT	2		
47	28696X24	HOSE	1		99	14A-10	LOCKWASHER	4		
48	28696X36	HOSE	1		100	14C-10	FLATWASHER	4		
49	28696X120	HOSE	1		101	30A-10	NUT	4		
50	28696X140	HOSE	1		102	354E-12075	STUD	2		
51	32668	STRAINER	2		103	314A-12	NUT	2		
					104	330A-12	NUT	2		
					105		HYDRAULIC PUMP	REF.	SECT 4 PG 2	
					106		MANIFOLD VALVE ASSEMBLY	REF.	SECT 4 PG 8	
					107		RELIEF VALVE ASSEMBLY	REF.	SECT 4 PG 14	
					108		SOLENOID VALVE ASSEMBLY	REF.	SECT 4 PG 38	

EFFECTIVE SERIAL NUMBERS)
 NUMEROS) DE SÉRIE EFFECTIFS)
 NUMEROS) DE SERIE EFFECTIVOS)
 19996, 20122 & UP

700 SERIES
 SERIE 700

SECTION 4
 SECCION 4
 PAGE 17
 PAGINA 17



PRIMARY HYDRAULIC CIRCUIT - MODELS 720A THRU 740A

SEPTEMBER 1989

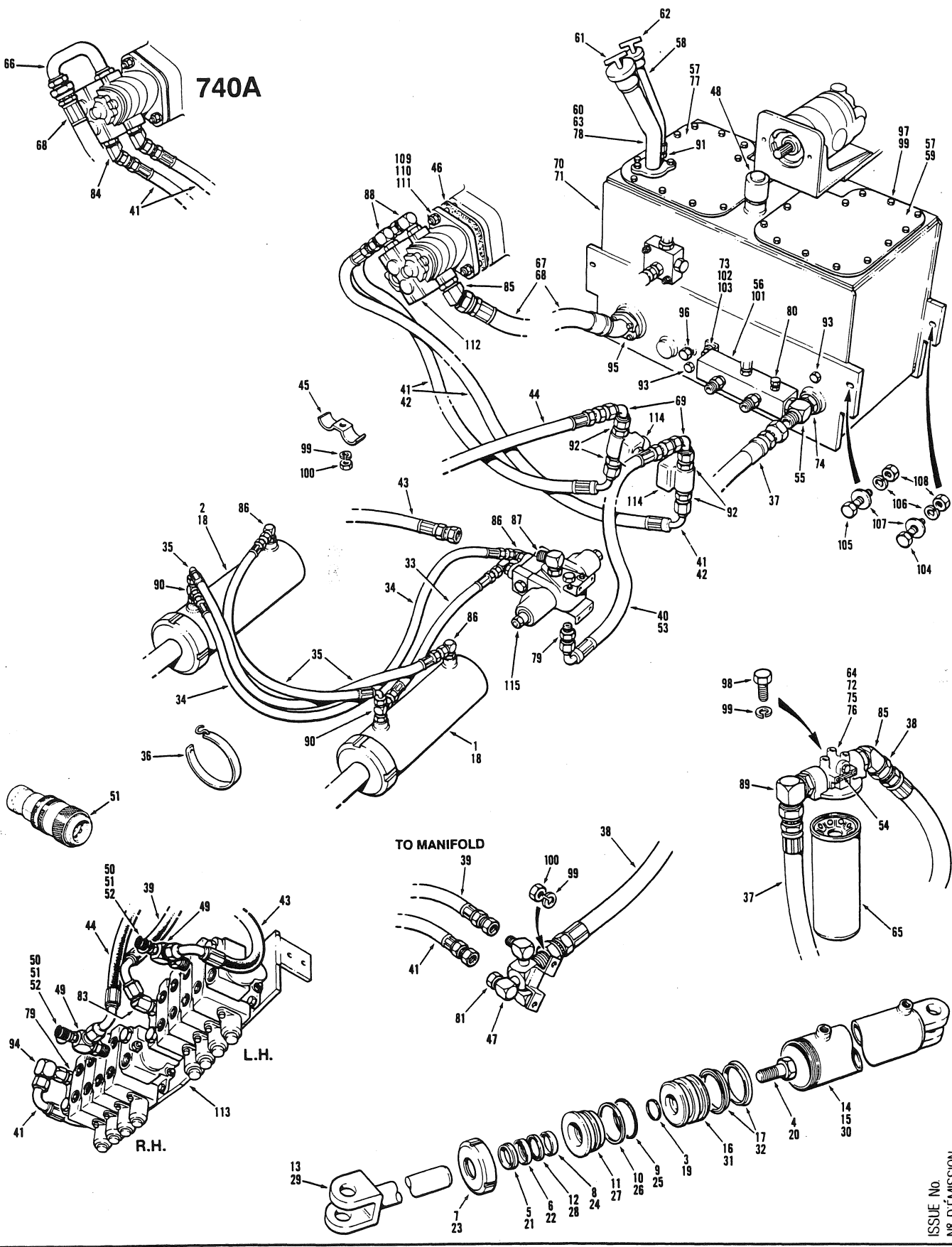
FOR LIST OF PARTS - TURN THIS PAGE

POUR LA LISTE DES PIÈCES - VOIR AU VERSO

PARA LA LISTA DE LAS PIEZAS - VER AL VERSO

USE ONLY CHAMPION ROAD MACHINERY APPROVED PARTS

SECTION SECCION	4	PAGE PAGINA	18	ISSUE No. N° D'ÉMISSION N° DE EDICION	7	PRIMARY HYDRAULIC CIRCUIT - MODELS 720A THRU 740A			SEPTEMBER 1989	
No. N° N°	PART No. N° DE PIÈCE N° DE PIEZA	DESCRIPTION DÉSCRIPTION DESCRIPCION	No. REQ. N° REQ. N° REQ.	REMARKS REMARQUES NOTAS	No. N° N°	PART No. N° DE PIECE N° DE PIEZA	DESCRIPTION DÉSCRIPTION DESCRIPCION	No. REQ. N° REQ. N° REQ.	REMARKS REMARQUES NOTAS	
1	53783	ARTICULATION CYLINDER ASSY. - L.H. - INCLUDES ITEMS 3 TO 14, 16, 17	1	MODELS 720A & 730A	57	*53439	GASKET - COVER PLATE	2		
2	53784	ARTICULATION CYLINDER ASSY. - R.H. - INCLUDES ITEMS 3 TO 13 & 15 TO 17	1		58	*53466	NECK ASSEMBLY - DIP STICK	1		
3	12A-224	O RING	1		59	*53469	COVER PLATE - L.H.	1		
4	50A-1620	BOLT	1		60	*53488	GASKET - FILLER NECK	1		
5	12035	WIPER RING	1		61	*53491	CAP	1		
6	12037	ROD SEAL	1		62	*53492	DIP STICK	1		
7	13007	CYLINDER NUT	1		63	*53495	STRAINER	1		
8	43074	WEAR RING	1		64	*53510	FILTER ASSEMBLY - INDICATOR C/W ITEMS 65 & 75	1		
9	44245	O RING	1		65	*53527	FILTER ELEMENT	1		
10	44344	BACK-UP RING	1		66	*53563	TUBE	?		
11	45735	GLAND	1		67	*53568 x 24	HOSE	1	720A/730A	
12	45890	BUFFER RING	1		68	*53568 x 31.5	HOSE	1	740A	
13	48400	PISTON ROD	1		69	*53623	ELBOW	2		
14	53781	CYLINDER BARREL - L.H.	1		70	*54021	HYDRAULIC OIL TANK	1		
15	53782	CYLINDER BARREL - R.H.	1		71	*54040	MAGNETIC PLUG	1		
16	53797	PISTON	1		72	*54041	FILTER ASSEMBLY - NO INDICATOR C/W ITEMS 65 & 76	1		
17	53799	PISTON SEAL	2		73	*54055	BRACKET	?		
18	53788	ARTICULATION CYLINDER ASSY. - INCLUDES ITEMS 19 TO 32	2	MODELS 740A thru 780A	74	*54137	DIFFUSER	1		
19	12A-224	O RING	1		75	*54171	HEAD - INDICATOR	1		
20	50A-1620	BOLT	1		76	*54172	HEAD - NO INDICATOR	1		
21	12035	WIPER RING	1		77	*54352	COVER PLATE - R.H.	1		
22	12037	ROD SEAL	1		78	*54353	FILLER NECK	1		
23	13007	CYLINDER NUT	1		79	*54416	CONNECTOR	2		
24	43074	WEAR RING	1		80	110AE-0402	TEE	1		
25	44245	O RING	1		81	110E-12	CAP	1		
26	44344	BACK-UP RING	1		82	110U-0402	CONNECTOR	1		
27	45735	GLAND	1		83	111A-1210	CONNECTOR	1		
28	45890	BUFFER RING	1		84	111A-1212	CONNECTOR	2	740A	
29	46322	PISTON ROD	1		85	*111A-2420	CONNECTOR	1 or 2		
30	53787	CYLINDER BARREL	1		86	111B-0808	CONNECTOR	1		
31	53797	PISTON	1		87	111B-1210	CONNECTOR	4		
32	53799	PISTON SEAL	2		88	111B-1212	CONNECTOR	2	720A/730A	
	54436	REPAIR KIT FOR 53783, 53784 & 53788 CYLINDER ASSEMBLIES - INCLUDES ITEMS 3 TO 6, 8 TO 10, 12 & 17, 19 TO 22, 24 TO 26, 28 & 32	A.R.		89	111B-2420	CONNECTOR	1		
33	9313 x 28	HOSE	1		90	111D-0808	TEE	2		
34	9313 x 53.5	HOSE	1		91	*111E-0808	CONNECTOR	1		
35	14382 x 36	HOSE	2		92	*111E-1212	CONNECTOR	4		
36	19588	STRAP	3		93	*111H-08	PLUG	2		
37	*27739 x 76	HOSE	1		94	112B-12	CONNECTOR	1		
38	27739 x 109	HOSE	1		95	*114D-24	FLANGE KIT C/W O RING & HARDWARE	1		
39	28696 x 24	HOSE	1		96	*115C-08	PLUG	1		
40	*28696 x 29	HOSE	1		97	*50A-0608	BOLT	26		
41	28696 x 36	HOSE	1 or 3	1 - 720A/730A 3 - 740A	98	*50A-0612	BOLT	3		
42	*28696 x 55	HOSE	2	720A & 730A	99	14A-06	LOCKWASHER	32		
43	28696 x 120	HOSE	1		100	30A-06	NUT	3		
44	28696 x 140	HOSE	1		101	*50A-0808	BOLT	1		
45	40854	CLAMP	1		102	*14A-08	LOCKWASHER	1		
46	42794	GASKET	1		103	*30A-08	NUT	1		
47	45942	CROSS	1		104	50A-1016	BOLT	2		
48	*48878	BREATHER	1		105	50A-1018	BOLT	2		
49	49837	CONNECTOR	2		106	14A-10	LOCKWASHER	4		
50	51286	CONNECTOR	2		107	14C-10	FLATWASHER	4		
51	*51287	QUICK DISCONNECT COUPLER	2		108	30A-10	NUT	4		
52	51288	DUST CAP	2		109	354E-12075	STUD	2		
53	*52086 x 36.5	HOSE	1		110	314A-12	LOCKWASHER	2		
54	52087	TUBE	1		111	330A-12	NUT	2		
55	*53378	TEE	1		112		HYDRAULIC PUMP	REF.	Sec. 4 Pg. 2	
56	*53379	MANIFOLD	1		113		MANIFOLD VALVE ASSEMBLY	REF.	Sec. 4 Pg. 8	
					114		RELIEF VALVE ASSEMBLY	REF.	Sec. 4 Pg. 14	
					115		SOLENOID VALVE ASSEMBLY	REF.	Sec. 4 Pg. 38	

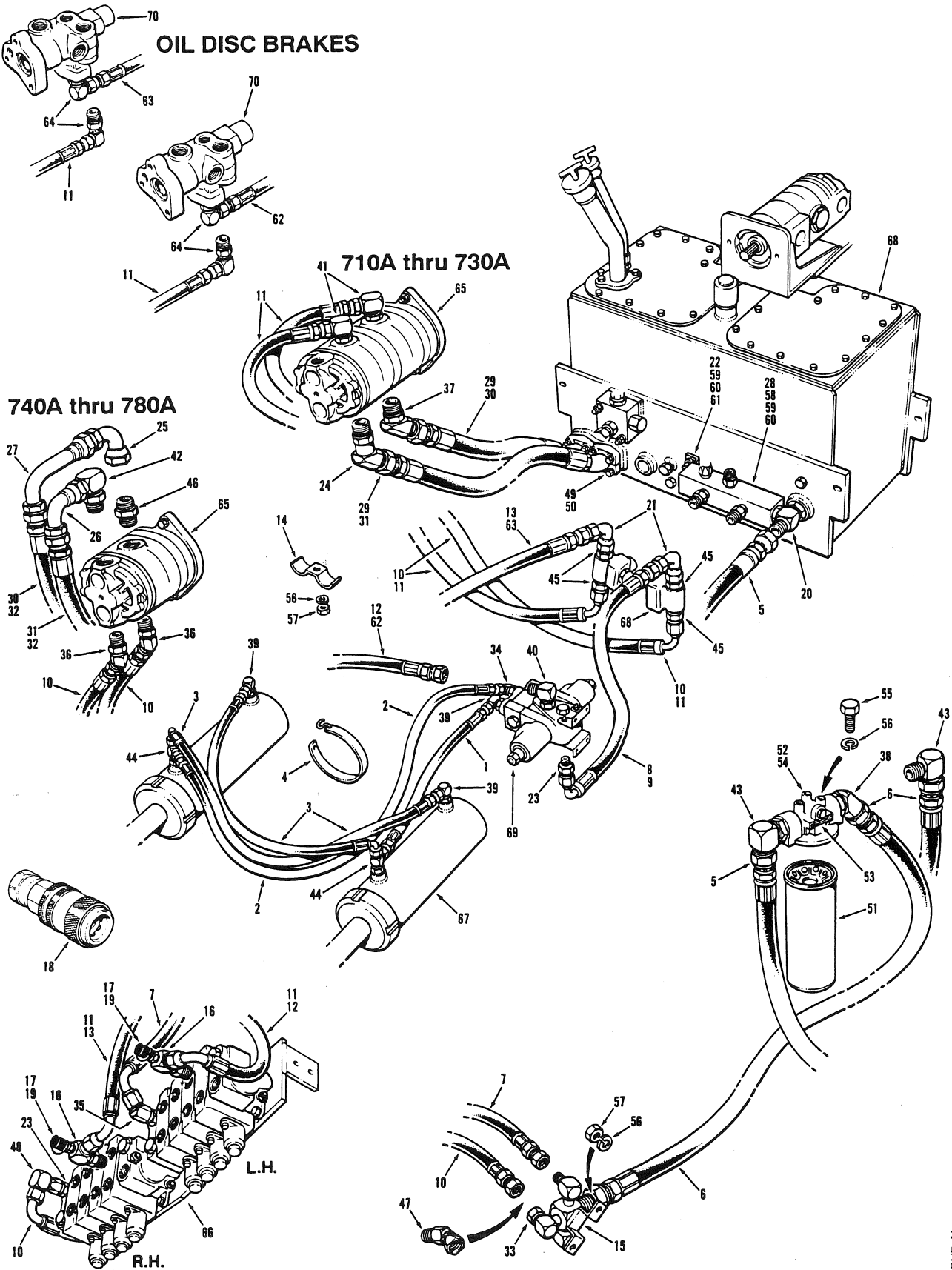


EFFECTIVE SERIAL NUMBER(S) 20719 & UP
 NUMERO(S) DE SÉRIE EFFECTIF(S) EXCLUDING 20731
 NUMERO(S) DE SERIE EFECTIVO(S)

700 SERIES
SERIE 700

SECTION SECCION	4	PAGE PAGINA	18	ISSUE No. N° D'ÉMISSION N° DE EDICION	8	PRIMARY HYDRAULIC CIRCUIT - Models 720A thru 740A				MAY 1990
No. N° N°	PART No. N° DE PIÉCE N° DE PIEZA	DESCRIPTION DÉSCRIPTION DESCRIPCION	No. REQ N° REQ. N° REQ.	REMARKS REMARQUES NOTAS	No. N° N°	PART No. N° DE PIECE N° DE PIEZA	DESCRIPTION DÉSCRIPTION DESCRIPCION	No. REQ N° REQ. N° REQ.	REMARKS REMARQUES NOTAS	
1	53783	ARTICULATION CYLINDER ASSEMBLY - L.H. - INCLUDES ITEMS 3 TO 14, 16, 17	1	MODELS 720A & 730A	56	53379	MANIFOLD	1		
2	53784	ARTICULATION CYLINDER ASSEMBLY - R.H. - INCLUDES ITEMS 3 TO 13 & 15 TO 17	1		57	53439	GASKET - COVER PLATE	2		
3	12A-224	O RING	1		58	53466	NECK ASSEMBLY - DIP STICK	1		
4	50A-1620	BOLT	1		59	53469	COVER PLATE - L.H.	1		
5	12035	WIPER RING	1		60	53488	GASKET - FILLER NECK	1		
6	12037	ROD SEAL	1		61	53491	CAP	1		
7	13007	CYLINDER NUT	1		62	53492	DIP STICK	1		
8	43074	WEAR RING	1		63	53495	STRAINER	1		
9	44245	O RING	1		64	53510	FILTER ASSEMBLY - INDICATOR C/W ITEMS 65, 75 & 54	1		
10	44344	BACK-UP RING	1		65	53527	FILTER ELEMENT	1		
11	45735	GLAND	1		66	53563	TUBE	1		
12	45890	BUFFER RING	1		67	53568 x 24	HOSE	1	720A/730A	
13	48400	PISTON ROD	1		68	53568 x 31.5	HOSE	1	740A	
14	53781	CYLINDER BARREL - L.H.	1		69	53623	ELBOW	2		
15	53782	CYLINDER BARREL - R.H.	1		70	54021	HYDRAULIC OIL TANK	1		
16	53797	PISTON	1		71	54040	MAGNETIC PLUG	1		
17	53799	PISTON SEAL	2		72	54041	FILTER ASSEMBLY - NO INDICATOR C/W ITEMS 65 & 75	1		
18	53788	ARTICULATION CYLINDER ASSEMBLY - INCLUDES ITEMS 19 TO 32	2	MODELS 740A thru 780A	73	54055	BRACKET	1		
19	12A-224	O RING	1		74	54137	DIFFUSER	1		
20	50A-1620	BOLT	1		75	54171	HEAD - INDICATOR	1		
21	12035	WIPER RING	1		76	54172	HEAD - NO INDICATOR	1		
22	12037	ROD SEAL	1		77	54352	COVER PLATE - R.H.	1		
23	13007	CYLINDER NUT	1		78	54353	FILLER NECK	1		
24	43074	WEAR RING	1		79	54416	CONNECTOR	2		
25	44245	O RING	1		80	*110E-04	CAP	1		
26	44344	BACK-UP RING	1		81	110E-12	CAP	1		
27	45735	GLAND	1		83	111A-1210	CONNECTOR	1		
28	45890	BUFFER RING	1		84	111A-1212	CONNECTOR	2	740A	
29	46322	PISTON ROD	1		85	111A-2420	CONNECTOR	1 or 2		
30	53787	CYLINDER BARREL	1		86	111B-0808	CONNECTOR	1		
31	53797	PISTON	1		87	111B-1210	CONNECTOR	4		
32	53799	PISTON SEAL	2		88	111B-1212	CONNECTOR	2	720A/730A	
	54436	REPAIR KIT FOR 53783, 53784 & 53788 CYLINDER ASSEMBLIES - INCLUDES ITEMS 3 TO 6, 8 TO 10, 12 & 17, 19 TO 22, 24 TO 26, 28 & 32	1		89	111B-2420	CONNECTOR	1		
33	9313 x 28	HOSE	1		90	111D-0808	TEE	2		
34	9313 x 53.5	HOSE	1		91	111E-0808	CONNECTOR	1		
35	14382 x 36	HOSE	2		92	111E-1212	CONNECTOR	4		
36	19588	STRAP	3		93	111H-08	PLUG	2		
37	27739 x 76	HOSE	1		94	112B-12	CONNECTOR	1		
38	27739 x 109	HOSE	1		95	114D-24	FLANGE KIT C/W O RING & HARDWARE	1		
39	28696 x 24	HOSE	1		96	115C-08	PLUG	1		
40	28696 x 29	HOSE	1		97	50A-0608	BOLT	26		
41	28696 x 36	HOSE	1 or 3	740A 1 - 720A/730A 3 - 740A	98	50A-0612	BOLT	3		
42	28696 x 55	HOSE	2	720A & 730A	99	14A-06	LOCKWASHER	32		
43	*28696 x 112	HOSE	1		100	30A-06	NUT	3		
44	28696 x 140	HOSE	1		101	50A-0808	BOLT	1		
45	40854	CLAMP	1		102	14A-08	LOCKWASHER	1		
46	42794	GASKET	1		103	30A-08	NUT	1		
47	45942	CROSS	1		104	50A-1016	BOLT	2		
48	48878	BREATHER	1		105	50A-1018	BOLT	2		
49	49837	CONNECTOR	2		106	14A-10	LOCKWASHER	4		
50	51286	QUICK DISCONNECT COUPLER - MALE	2		107	14C-10	FLATWASHER	4		
51	51287	QUICK DISCONNECT COUPLER - FEMALE (FOR TESTING)	1	IN TOOLBOX	108	30A-10	NUT	4		
52	51288	DUST CAP	2		109	354E-12075	STUD	2		
53	*28696 x 27	HOSE	1	720A/730A	110	314A-12	LOCKWASHER	2		
54	*56824	BY-PASS INDICATOR	1		111	330A-12	NUT	2		
55	53378	TEE	1		112		HYDRAULIC PUMP	REF.	Sec. 4 Pg. 2	
					113		MANIFOLD VALVE ASSEMBLY	REF.	Sec. 4 Pg. 8	
					114		RELIEF VALVE ASSEMBLY	REF.	Sec. 4 Pg. 14	
					115		SOLENOID VALVE ASSEMBLY	REF.	Sec. 4 Pg. 38	

CHAMPION ROAD MACHINERY



AUGUST 1990

MAIN HYDRAULIC CIRCUIT - Models 710A thru 780A

PARA LA LISTA DE LAS PIEZAS - VER AL VERSO

POUR LA LISTE DES PIÉCES - VOIR AU VERSO

FOR LIST OF PARTS - TURN THIS PAGE

9

ISSUE No
N° D'ÉMISSION
N° DE EDICIÓN

EFFECTIVE SERIAL NUMBER(S) 20805, 20806, 20808 & UP
 NUMERO(S) DE SÉRIE EFFECTIF(S)
 NUMERO(S) DE SERIE EFECTIVO(S)

700 SERIES
SERIE 700

SECTION
SECCION 4

PAGE
PAGINA 17

SECTION SECCION		PAGE PAGINA		ISSUE No. N° D'ÉMISSION N° DE EDICION		MAIN HYDRAULIC CIRCUIT - Models 710A thru 780A				AUGUST 1990	
No. N° N°	PART No. N° DE PIÈCE N° DE PIEZA	DESCRIPTION DESCRIPTION DESCRIPCION	No. REQ. N° REQ. N° REQ.	REMARKS REMARQUES NOTAS	No. N° N°	PART No. N° DE PIECE N° DE PIEZA	DESCRIPTION DESCRIPTION DESCRIPCION	No. REQ. N° REQ. N° REQ.	REMARKS REMARQUES NOTAS		
1	9313 x 28	HOSE	1		49	*114D-20	FLANGE KIT - C/W ITEM 50 & HARDWARE	2			
2	9313 x 53.5	HOSE	1		50	*12A-222	O RING	2			
3	14382 x 36	HOSE	2			53510	FILTER ASSEMBLY - INDICATOR	1			
4	19588	STRAP	3				- C/W ITEMS 51, 52 & 53				
5	27739 x 76	HOSE	1		51	53527	ELEMENT	1			
6	27739 x 109	HOSE	1		52	54171	HEAD - INDICATOR	1			
7	28696 x 24	HOSE	1		53	56824	BY-PASS INDICATOR	1			
8	28696 x 27	HOSE	1	710A thru 730A		54041	FILTER ASSEMBLY - NO INDICATOR	1			
9	28696 x 29	HOSE	1	740A thru 780A			- C/W ITEMS 51, 53 & 54				
10	28696 x 36	HOSE	1 or 3		54	54172	HEAD - NO INDICATOR	1			
11	28696 x 55	HOSE	2 or 4		55	50A-0612	BOLT	3			
12	28696 x 112	HOSE	1		56	14A-06	LOCKWASHER				
13	28696 x 140	HOSE	1		57	30A-06	NUT				
14	40854	CLAMP	3		58	50A-0808	BOLT	1			
15	45942	CROSS	1		59	14A-08	LOCKWASHER	2			
16	49837	CONNECTOR	2		60	*14C-08	FLATWASHER	2			
17	51286	QUICK DISCONNECT COUPLER - MALE	2		61	30A-08	NUT	1			
18	51287	QUICK DISCONNECT COUPLER - FEMALE (FOR TESTING)	1	IN TOOLBOX							
19	51288	DUST CAP	2		62	28485 x 52	HOSE	1	OIL DISC BRAKES		
20	53378	TEE	1		63	28485 x 90	HOSE	1			
21	53623	ELBOW	2		64	111B-1216	CONNECTOR	4			
22	54055	BRACKET	1								
23	54416	CONNECTOR	2		65		HYDRAULIC PUMP	REF.	SECTION 4 PAGE 1		
24	*54969	ELBOW	1	710A thru 730A	66		MANIFOLD VALVE ASSEMBLY	REF.	SECTION 4 PAGE 7		
25	*54993	ELBOW	1	740A thru 780A	67		*ARTICULATION CYLINDER ASSEMBLY	REF.	SECTION 4 PAGE 43		
26	*54994	ELBOW	1		68		*HYDRAULIC OIL TANK & RELIEF VALVE ASSEMBLY	REF.	SECTION 4 PAGE 45		
27	*54995	ELBOW	1		69		SOLENOID VALVE ASSEMBLY	REF.	SECTION 4 PAGE 37		
28	*54996	MANIFOLD	1		70		OIL DISC BRAKE VALVE	REF.	SECTION 9 PAGE 17		
29	*55028 x 26	HOSE	2	720A & 730A							
30	*55028 x 30	HOSE	1	710 & 740 thru 780 with OIL DISC BRAKES							
31	*55028 x 31	HOSE	1								
32	*55028 x 32	HOSE	2	740A DRUM BRAKES							
33	110E-12	CAP	1								
34	*111A-0808	CONNECTOR	1								
35	111A-1210	CONNECTOR	1								
36	111A-1212	CONNECTOR	2	740A thru 780A							
37	111A-2020	CONNECTOR	1	710A thru 730A							
38	111A-2420	CONNECTOR	1	720A thru 780A							
39	111B-0808	CONNECTOR	3								
40	111B-1210	CONNECTOR	1								
41	111B-1212	CONNECTOR	2	710A thru 730A							
42	111B-2020	CONNECTOR	1	740A thru 780A							
43	111B-2420	CONNECTOR	1 or 2								
44	111D-0808	TEE	2								
45	111E-1212	CONNECTOR	4								
46	111E-2020	CONNECTOR	1	740A thru 780A							
47	*112A-12	CONNECTOR	1	710A							
48	112B-12	CONNECTOR	1								

CHAMPION ROAD MACHINERY

OIL DISC BRAKES 750A/780A

FEBRUARY 1991

MAIN HYDRAULIC CIRCUIT - Models 710A thru 780A

FOR LIST OF PARTS - TURN THIS PAGE

10 REVISION A

IS 3000 rev.
N° D'ÉMISSION
N° DE EDICION

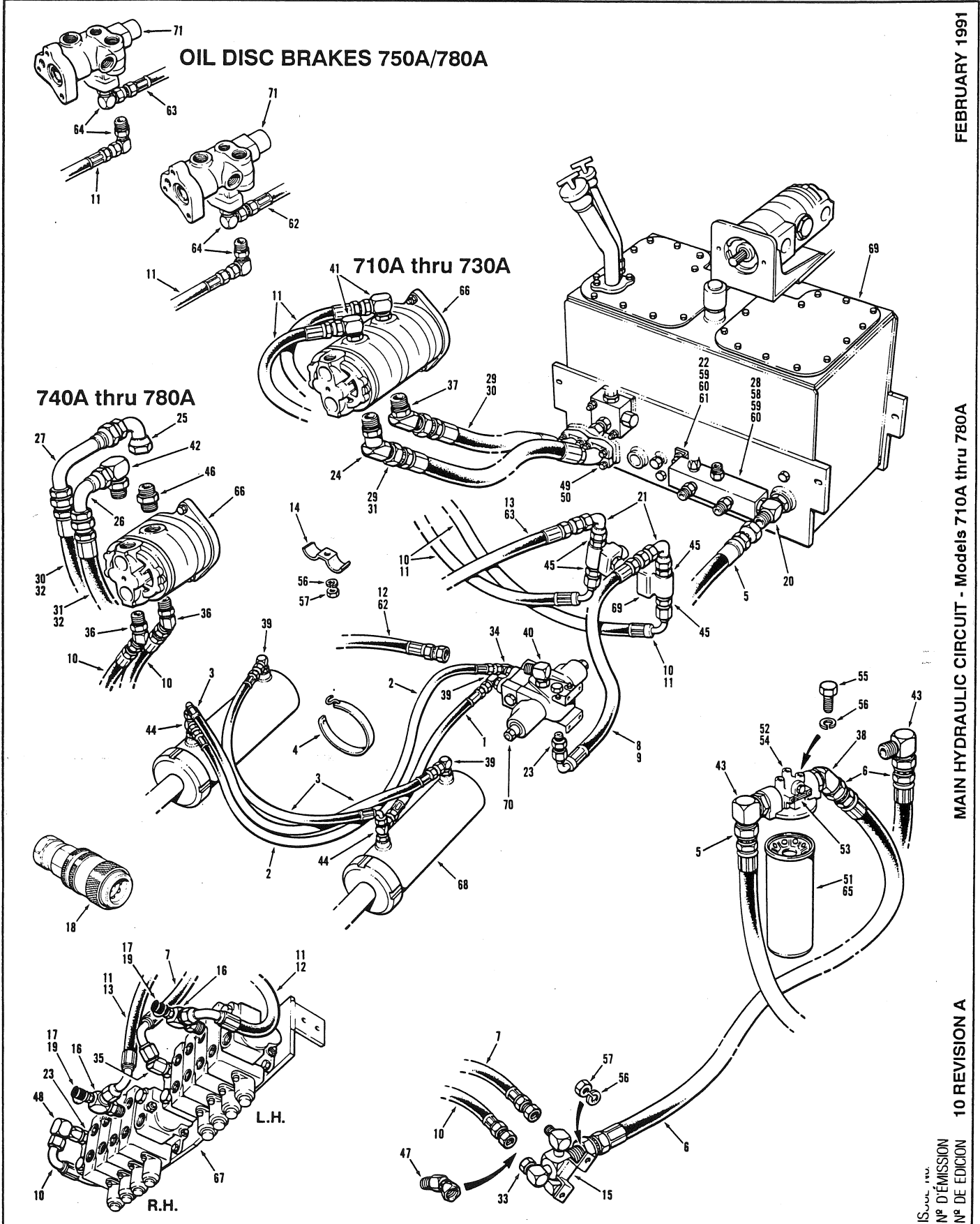
PARA LA LISTA DE LAS PIEZAS - VER AL VERSO

POUR LA LISTE DES PIÈCES - VOIR AU VERSO

FOR LIST OF PARTS - TURN THIS PAGE

10 REVISION A

IS 3000 rev.
N° D'ÉMISSION
N° DE EDICION



EFFECTIVE SERIAL NUMBER(S) 21134 to 21385
 NUMERO(S) DE SÉRIE EFFECTIF(S)
 NUMERO(S) DE SERIE EFECTIVO(S)

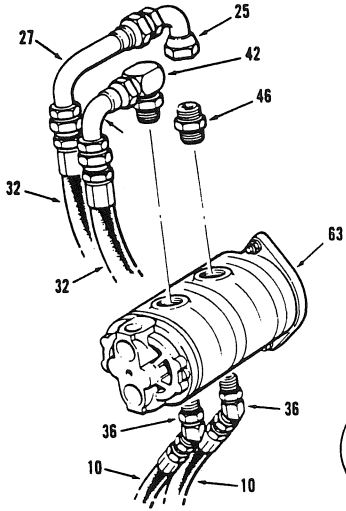
700 SERIES
 SERIE 700

SECTION 4 PAGE 17
 SECCION 4 PAGINA 17

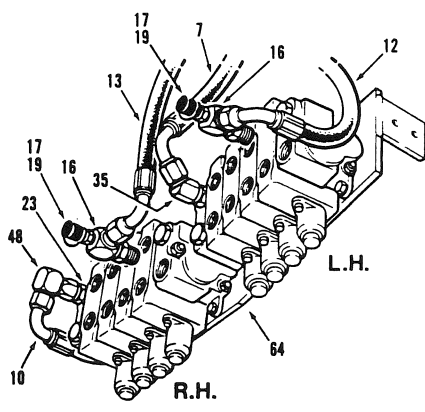
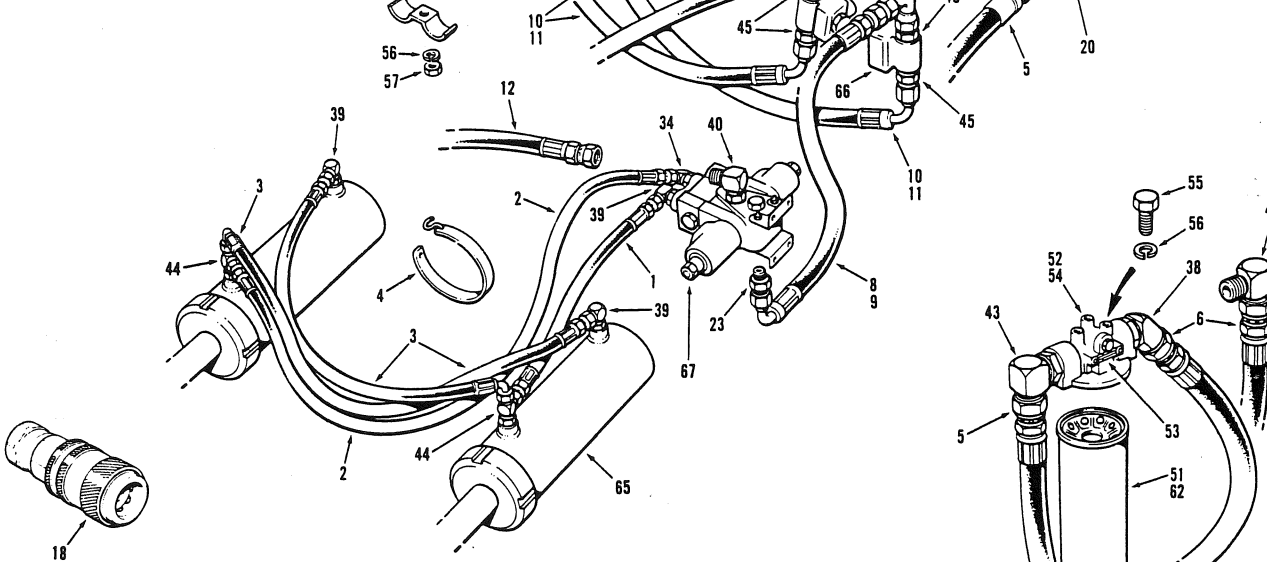
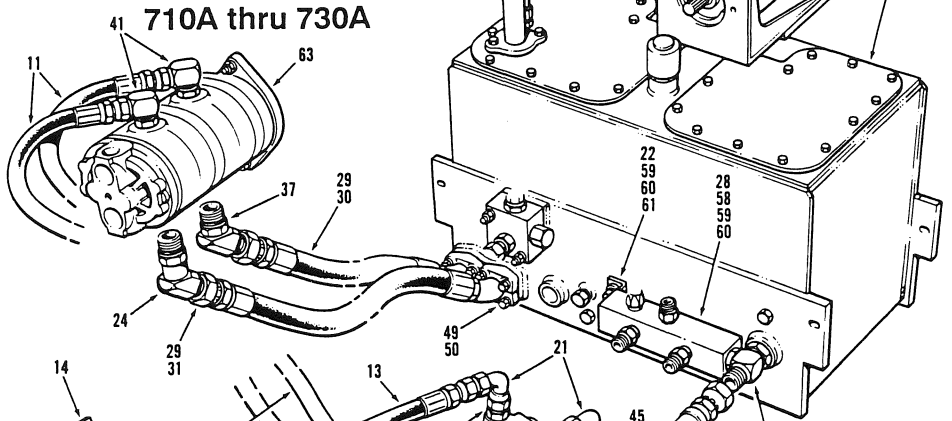
SECTION SECCION		4	PAGE PAGINA	18	ISSUE No. N° D'ÉMISSION N° DE EDICION	10 REVISION A	MAIN HYDRAULIC CIRCUIT - Models 710A thru 780A			FEBRUARY 1991
No. N° N°	PART No. N° DE PIÈCE N° DE PIEZA	DESCRIPTION DÉSCRIPTION DESCRIPCION	No. REQ. N° REQ. N° REQ.	REMARKS REMARQUES NOTAS	No. N° N°	PART No. N° DE PIECE N° DE PIEZA	DESCRIPTION DÉSCRIPTION DESCRIPCION	No. REQ. N° REQ. N° REQ.	REMARKS REMARQUES NOTAS	
1	9313 x 28	HOSE	1		49	114D-20	FLANGE KIT - C/W ITEM 50 & HARDWARE	2		
2	9313 x 53.5	HOSE	1		50	12A-222	O RING	2		
3	14382 x 36	HOSE	2			53510	FILTER ASSEMBLY - INDICATOR	1		
4	19588	STRAP	3				- C/W ITEMS 51, 52, 53 & 65			
5	27739 x 76	HOSE	1		51	53527	ELEMENT	1		
6	27739 x 109	HOSE	1		52	54171	HEAD - INDICATOR	1		
7	28696 x 24	HOSE	1		53	56824	BY-PASS INDICATOR	1		
8	28696 x 27	HOSE	1	710A thru 730A		54041	FILTER ASSEMBLY - NO INDICATOR	1		
9	28696 x 29	HOSE	1	740A thru 780A			- C/W ITEMS 51, 53, 54 & 65			
10	28696 x 36	HOSE	1 or 3							
11	28696 x 55	HOSE	2 or 4		54	54172	HEAD - NO INDICATOR	1		
12	28696 x 112	HOSE	1		55	50A-0612	BOLT	3		
13	28696 x 140	HOSE	1		56	14A-06	LOCKWASHER			
14	40854	CLAMP	3		57	30A-06	NUT			
15	45942	CROSS	1		58	50A-0808	BOLT	1		
16	49837	CONNECTOR	2		59	14A-08	LOCKWASHER	2		
17	51286	QUICK DISCONNECT COUPLER - MALE	2		60	14C-08	FLATWASHER	2		
18	51287	QUICK DISCONNECT COUPLER - FEMALE (FOR TESTING)	1	In Toolbox	61	30A-08	NUT	1		
19	51288	DUST CAP	2							
20	53378	TEE	1		62	28485 x 52	HOSE	1	OIL DISC BRAKES	
21	53623	ELBOW	2		63	28485 x 90	HOSE	1		
22	54055	BRACKET	1		64	111B-1216	CONNECTOR	4		
23	54416	CONNECTOR	2		65	58430	O-RING	1		
24	54969	ELBOW	1	710A thru 730A						
25	54993	ELBOW	1		66		HYDRAULIC PUMP	REF.	Sect 4 Pg 1	
26	54994	ELBOW	1	740A thru 780A			MANIFOLD VALVE ASSEMBLY	REF.	Sect 4 Pg 7	
27	54995	ELBOW	1		67		ARTICULATION CYLINDER ASSEMBLY	REF.	Sect 4 Pg 43	
28	54996	MANIFOLD	1		68		HYDRAULIC OIL TANK & RELIEF VALVE ASSEMBLY	REF.	Sect 4 Pg 45	
29	55028 x 26	HOSE	2	720A & 730A	69		SOLENOID VALVE ASSEMBLY	REF.	Sect 4 Pg 37	
30	55028 x 30	HOSE	1	710A, 740A, 750A & 780A	70		OIL DISC BRAKE VALVE	REF.	Sect 9 Pg 17	
31	55028 x 31	HOSE	1		740A DRUM BRAKES	71				
32	55028 x 32	HOSE	2							
33	110E-12	CAP	1							
34	111A-0808	CONNECTOR	1							
35	111A-1210	CONNECTOR	1							
36	111A-1212	CONNECTOR	2	740A thru 780A						
37	111A-2020	CONNECTOR	1	710A thru 730A						
38	111A-2420	CONNECTOR	1	720A thru 780A						
39	111B-0808	CONNECTOR	3							
40	111B-1210	CONNECTOR	1							
41	111B-1212	CONNECTOR	2	710A thru 730A						
42	111B-2020	CONNECTOR	1	740A thru 780A						
43	111B-2420	CONNECTOR	1 or 2							
44	111D-0808	TEE	2							
45	111E-1212	CONNECTOR	4							
46	111E-2020	CONNECTOR	1	740A thru 780A						
47	112A-12	CONNECTOR	1	710A						
48	112B-12	CONNECTOR	1							

CHAMPION ROAD MACHINERY

740A thru 780A



710A thru 730A

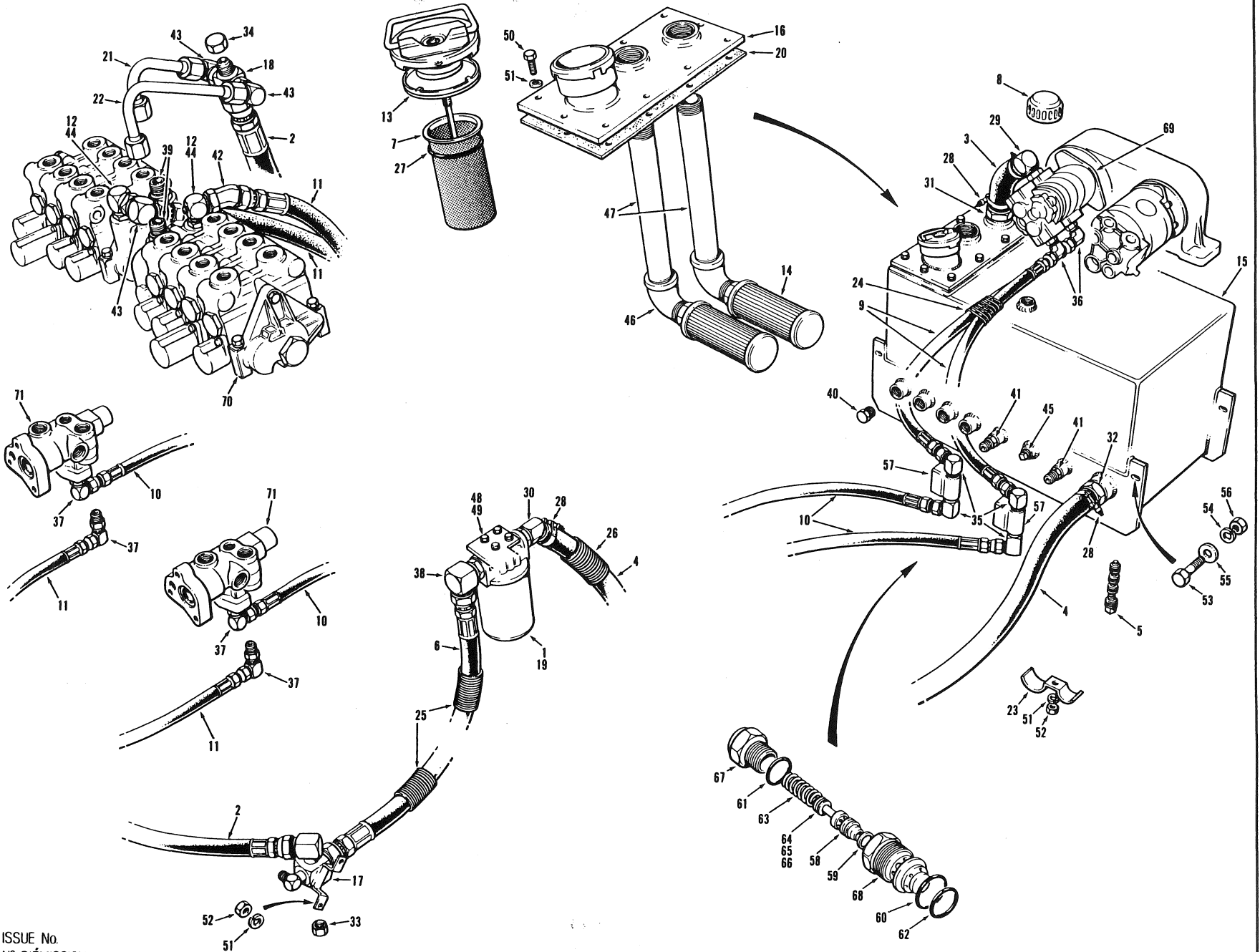


EFFECTIVE SERIAL NUMBER(S) 21386 & UP
 NUMERO(S) DE SÉRIE EFFECTIF(S)
 NUMERO(S) DE SERIE EFFECTIVO(S)

700 SERIES
 SERIE 700

SECTION 4 PAGE 17
 SECCION 4 PAGINA 17

SECTION SECCION	4	PAGE PAGINA	18	ISSUE No. N° D'ÉMISSION N° DE EDICION	11	MAIN HYDRAULIC CIRCUIT - Models 710A thru 780A				FEBRUARY 1991
No. N° N°	PART No. N° DE PIÈCE N° DE PIEZA	DESCRIPTION DÉSCRIPTION DESCRIPCION	No. REQ. N° REQ. N° REQ.	REMARKS REMARQUES NOTAS	No. N° N°	PART No. N° DE PIÈCE N° DE PIEZA	DESCRIPTION DÉSCRIPTION DESCRIPCION	No. REQ. N° REQ. N° REQ.	REMARKS REMARQUES NOTAS	
1	9313 x 28	HOSE	1		49	114D-20	FLANGE KIT - C/W ITEM 50 & HARDWARE	2		
2	9313 x 53.5	HOSE	1		50	12A-222	O-RING	2		
3	14382 x 36	HOSE	2			53510	FILTER ASSEMBLY - INDICATOR	1		
4	19588	STRAP	3				- C/W ITEMS 51, 52, 53 & 62			
5	27739 x 76	HOSE	1		51	53527	ELEMENT	1		
6	27739 x 109	HOSE	1		52	54171	HEAD - INDICATOR	1		
7	28696 x 24	HOSE	1		53	56824	BY-PASS INDICATOR	1		
8	28696 x 27	HOSE	1	710A thru 730A		54041	FILTER ASSEMBLY - NO INDICATOR	1		
9	28696 x 29	HOSE	1	740A thru 780A			- C/W ITEMS 51, 53, 54 & 62			
10	28696 x 36	HOSE	1	710A thru 730A						
	28696 x 36	HOSE	3	740A thru 780A						
11	28696 x 55	HOSE	2	710A thru 730A	54	54172	HEAD - NO INDICATOR	1		
12	28696 x 112	HOSE	1		55	50A-0612	BOLT	3		
13	28696 x 140	HOSE	1		56	14A-06	LOCKWASHER			
14	40854	CLAMP	3		57	30A-06	NUT			
15	45942	CROSS	1		58	50A-0808	BOLT	1		
16	49837	CONNECTOR	2		59	14A-08	LOCKWASHER	2		
17	51286	QUICK DISCONNECT COUPLER - MALE	2		60	14C-08	FLATWASHER	2		
18	51287	QUICK DISCONNECT COUPLER - FEMALE (FOR TESTING)	1	In Toolbox	61	30A-08	NUT	1		
19	51288	DUST CAP	2		62	58430	O-RING	1		
20	53378	TEE	1		63		HYDRAULIC PUMP	REF.	Sect 4 Pg 1	
21	53623	ELBOW	2		64		MANIFOLD VALVE ASSEMBLY	REF.	Sect 4 Pg 7	
22	54055	BRACKET	1		65		ARTICULATION CYLINDER ASSEMBLY	REF.	Sect 4 Pg 43	
23	54416	CONNECTOR	2	710A thru 730A	66		HYDRAULIC OIL TANK & RELIEF VALVE ASSEMBLY	REF.	Sect 4 Pg 45	
24	54969	ELBOW	1		67		SOLENOID VALVE ASSEMBLY	REF.	Sect 4 Pg 37	
25	54993	ELBOW	1							
26	54994	ELBOW	1	740A thru 780A						
27	54995	ELBOW	1							
28	54996	MANIFOLD	1							
29	55028 x 26	HOSE	2	720A & 730A						
30	55028 x 30	HOSE	1	710A						
31	55028 x 31	HOSE	1	710A						
32	55028 x 32	HOSE	2	740A, 750A & 780A						
33	110E-12	CAP	1							
34	111A-0808	CONNECTOR	1							
35	111A-1210	CONNECTOR	1							
36	111A-1212	CONNECTOR	2	740A thru 780A						
37	111A-2020	CONNECTOR	1	710A thru 730A						
38	111A-2420	CONNECTOR	1	720A thru 780A						
39	111B-0808	CONNECTOR	3							
40	111B-1210	CONNECTOR	1							
41	111B-1212	CONNECTOR	2	710A thru 730A						
42	111B-2020	CONNECTOR	1	740A thru 780A						
43	111B-2420	CONNECTOR	1 or 2							
44	111D-0808	TEE	2							
45	111E-1212	CONNECTOR	4							
46	111E-2020	CONNECTOR	1	740A thru 780A						
47	112A-12	CONNECTOR	1	710A						
48	112B-12	CONNECTOR	1							



ISSUE No.
Nº D'ÉMISSION
Nº DE EDICION

1 REVISION A

PRIMARY HYDRAULIC CIRCUIT - OIL DISC BRAKES - MODEL 720 THRU 760

APRIL 1986

FOR LIST OF PARTS - TURN THIS PAGE

POUR LA LISTE DES PIÈCES - VOIR AU VERSO

PARA LA LISTA DE LAS PIEZAS - VER AL VERSO

USE ONLY **CHAMPION** APPROVED PARTS



EFFECTIVE SERIAL NUMBERS (NÚMÉROS DE SÉRIE EFFETIFS) 16224, 16245 TO 16797
U.S. 2021-2 TO 2419-2

700 SERIES
SÉRIE 700

SECTION 4
PÁGINA 19

SECTION SECCION 4		PAGE PAGINA 20	ISSUE No. N° D'ÉMISSION N° DE EDICION 1	REVISION A PRIMARY HYDRAULIC CIRCUIT - OIL DISC BRAKES MODEL 720 THRU 760 APRIL 1986					
No. N° N°	PART No. N° DE PIÈCE N° DE PIEZA	DESCRIPTION DÉSCRIPTION DESCRIPCION	No. REQ. N° REQ. N° REQ.	REMARKS REMARQUES NOTAS	No. N° N°	PART No. N° DE PIECE N° DE PIEZA	DESCRIPTION DÉSCRIPTION DESCRIPCION	No. REQ. N° REQ. N° REQ.	REMARKS REMARQUES NOTAS
1	13028	FILTER ELEMENT - INCLUDES GASKET	1		48	50A-0508	BOLT	4	
2	14379 X 90	HOSE	1		49	14A-05	LOCKWASHER	4	
3	17156 X 8.5	HOSE	1		50	50A-0608	BOLT	A.R.	
4	17156 X 67	HOSE	1		51	14A-06	LOCKWASHER	A.R.	
5	27449	MAGNETIC PLUG	1		52	30A-06	NUT	A.R.	
6	27739 X 90	HOSE	1		53	50A-1016	BOLT	4	
7	28008	STRAINER - INCLUDES ITEM 28	1		54	14A-10	LOCKWASHER	4	
8	*16894	AIR BREATHER	1		55	14C-10	FLATWASHER	4	
9	28485 X 28	HOSE	1		56	30A-10	NUT	4	
10	28485 X 108	HOSE	2						
11	28485 X 155	HOSE	2						
12	32589	CONNECTOR - INCLUDES ITEM 58	2						
13	42167	FILLER CAP - INCLUDES DIPSTICK	1						
14	32668	STRAINER	2		57	40503	RELIEF VALVE ASSEMBLY - 1900 p.s.i. - INCLUDES ITEMS 58 TO 68	2	
15	40219	HYDRAULIC OIL TANK	1			27547	SERVICE KIT - INCLUDES ITEMS 58 & 59	A.R.	
16	40236	ACCESS PLATE	1						
17	40288	CROSS	1		58		POPPET	1	
18	40290	CROSS	1		59		PISTON RING	1	
19	40320	OIL FILTER - INCLUDES ITEM 1	1			27551	SEAL KIT - INCLUDES ITEMS 60 TO 62	A.R.	
20	40425	GASKET	1		60		O RING	1	
21	40505	TUBE	1		61		O RING	1	
22	40506	TUBE	1		62		O RING	1	
23	40975	CLAMP	1		63	27552	SPRING	1	
24	*41646 X 6	HOSE PROTECTOR	2		64	50067	SHIM - .010"(0.25mm) THICK	A.R.	
25	*41648 X 6	HOSE PROTECTOR	2		65	50066	SHIM - .020"(0.51mm) THICK	A.R.	
26	*41715 X 6	HOSE PROTECTOR	1		66	50065	SHIM - .040"(1.02mm) THICK	A.R.	
					67		CAP	1	
					68		BODY	1	
27	12A-228	O RING	1						
28	22A-200	CLAMP	4						
29	108A-2420	CONNECTOR	1		69		HYDRAULIC PUMP	REF.	SECTION 4 PAGE 2
30	108B-2420	CONNECTOR	1						
31	108C-2420	CONNECTOR	1		70		MANIFOLD VALVE ASSEMBLY	REF.	SECTION 4 PAGE 8
32	108C-2424	CONNECTOR	1						
33	110E-08	CAP	1		71		HYDRAULIC BRAKE VALVE	REF.	SECTION 9 PAGE 18
34	110E-12	CAP	1						
35	111B-1210	CONNECTOR	4						
36	111B-1212	CONNECTOR	2						
37	111B-1216	CONNECTOR	4						
38	111B-2420	CONNECTOR	1						
39	111E-1212	CONNECTOR	2						
40	111H-12	PLUG	A.R.						
41	111P-1010	CONNECTOR	2						
42	112A-12	CONNECTOR	1						
43	112B-12	CONNECTOR	3						
44	115D-02	PLUG	2						
45	115E-02	PLUG	A.R.						
46	115J-2424	ELBOW	2						
47	115Z-2420	NIPPLE	2						

EFFECTIVE SERIAL NUMBER(S) 16799 & UP
 NUMERO(S) DE SÉRIE EFFECTIF(S)
 NUMERO(S) DE SÉRIE EFFETIVO(S)
 U.S. 2420-2 & UP

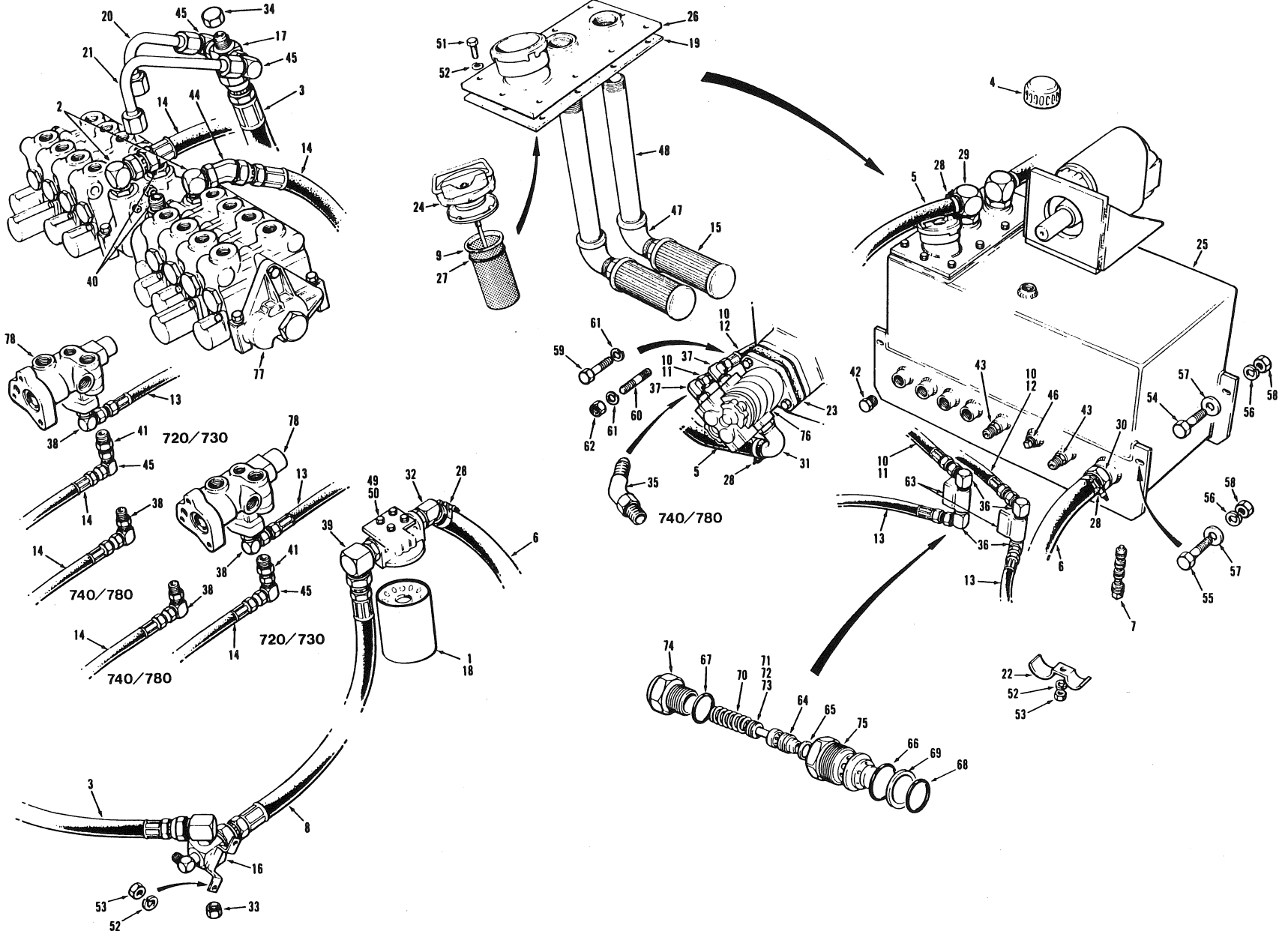
700 SERIES
 SERIE 700

SECTION
 SECCION

4

PAGE
 PAGINA

19



ISSUE No.
 N° D'ÉMISSION
 N° DE EDICION 2 REVISION B

PRIMARY HYDRAULIC CIRCUIT - OIL DISC BRAKES - MODEL 720 THRU 780

AUGUST 1987

FOR LIST OF PARTS - TURN THIS PAGE

POUR LA LISTE DES PIÈCES - VOIR AU VERSO

PARA LA LISTA DE LAS PIEZAS - VER AL VERSO



SECTION SECCION 4		PAGE PAGINA 20	ISSUE No. N° D'ÉMISSION N° DE EDICION 2 REV B	PRIMARY HYDRAULIC CIRCUIT - OIL DISC BRAKES - MODEL 720 THRU 780		AUGUST 1987			
No. N° N°	PART No. N° DE PIÈCE N° DE PIEZA	DESCRIPTION DÉSCRIPTION DESCRIPCION	No. REQ. N° REQ. N° REQ.	REMARKS REMARQUES NOTAS	No. N° N°	PART No. N° DE PIÈCE N° DE PIEZA	DESCRIPTION DÉSCRIPTION DESCRIPCION	No. REQ. N° REQ. N° REQ.	REMARKS REMARQUES NOTAS
1	13028	FILTER ELEMENT - INCLUDES GASKET	1		49	50A-0508	BOLT	4	
2	14292	CONNECTOR	2		50	14A-05	LOCKWASHER	4	
3	14379 X 90	HOSE	1		51	50A-0608	BOLT	10	
4	*16894	AIR BREATHER	1		52	14A-06	LOCKWASHER	11	
5	17156 X 24	HOSE	1		53	30A-06	NUT	4	
6	17156 X 67	HOSE	1		54	50A-1016	BOLT	2	
7	27449	MAGNETIC PLUG	1		55	50A-1018	BOLT	2	
8	27739 X 60	HOSE	1		56	14A-10	LOCKWASHER	4	
9	28008	STRAINER - INCLUDES ITEM 27	1		57	14C-10	FLATWASHER	4	
10	28485 X 28	HOSE	2	740/780	58	30A-10	NUT	4	
11	28485 X 42	HOSE	1	720/730	59	350A-12040	BOLT	2	
12	28485 X 47	HOSE	1	720/730	60	354A-12090	STUD	2	
13	28485 X 90	HOSE	2		61	314A-12	LOCKWASHER	2	
14	28485 X 155	HOSE	2		62	330A-12	NUT	2	
15	32668	STRAINER	2						
16	40288	CROSS	1						
17	40290	CROSS	1						
18	40320	OIL FILTER - INCLUDES ITEM 1	1						
19	40425	GASKET	1		63	40503	RELIEF VALVE ASSEMBLY - 1900 p.s.i. - INCLUDES ITEMS 64 TO 75	2	
20	40505	TUBE	1			27547	SERVICE KIT - INCLUDES ITEMS 64 & 65	A.R.	
21	40506	TUBE	1		64		POPPET	1	
22	40854	CLAMP	1		65		PISTON RING	1	
23	42794	GASKET	1			*45549	SEAL KIT - INCLUDES ITEMS 66 TO 69	A.R.	
24	*44672	FILLER CAP - INCLUDES DIPSTICK	1		66		O RING	1	
25	*45356	HYDRAULIC OIL TANK	1		67		O RING	1	
26	*50043	ACCESS PLATE	1		68		O RING	1	
					69		BACK UP WASHER	1	
27	12A-228	O RING	1		70	27552	SPRING	1	
28	22A-200	CLAMP	4		71	50067	SHIM - .010"(0.25mm) THICK	A.R.	
29	108A-2424	CONNECTOR	4		72	50066	SHIM - .020"(0.51mm) THICK	A.R.	
30	108C-2424	CONNECTOR	1		73	50065	SHIM - .040"(1.02mm) THICK	A.R.	
31	108G-2420	CONNECTOR	1		74		CAP	1	
32	108H-2420	CONNECTOR	1		75		BODY	1	
33	110E-08	CAP	1						
34	110E-12	CAP	1		76		HYDRAULIC PUMP	REF.	SECTION 4 PAGE 2
35	111A-1212	CONNECTOR	4	740/780					
36	111B-1210	CONNECTOR	4		77		MANIFOLD VALVE ASSEMBLY	REF.	SECTION 4 PAGE 8
37	111B-1212	CONNECTOR	2	720/730					
38	111B-1216	CONNECTOR	2	720/730	78		HYDRAULIC BRAKE VALVE	REF.	SECTION 9 PAGE 18
			4	740/780					
39	111B-2420	CONNECTOR	1						
40	111E-1212	CONNECTOR	2						
41	111E-1216	CONNECTOR	2	720/730					
42	111H-12	PLUG	3						
43	111P-10	CONNECTOR	2						
44	112A-12	CONNECTOR	1						
45	112B-12	CONNECTOR	4						
46	115E-08	PLUG	1						
47	115J-2424	ELBOW	2						
48	*115Z-2420	NIPPLE	2						

EFFECTIVE SERIAL NUMBERS)
 NUMEROS) DE SERIE EFFECTIFS)
 NUMEROS) DE SERIE EFFECTIVOS)

18578, 18590, 18592 to 20094

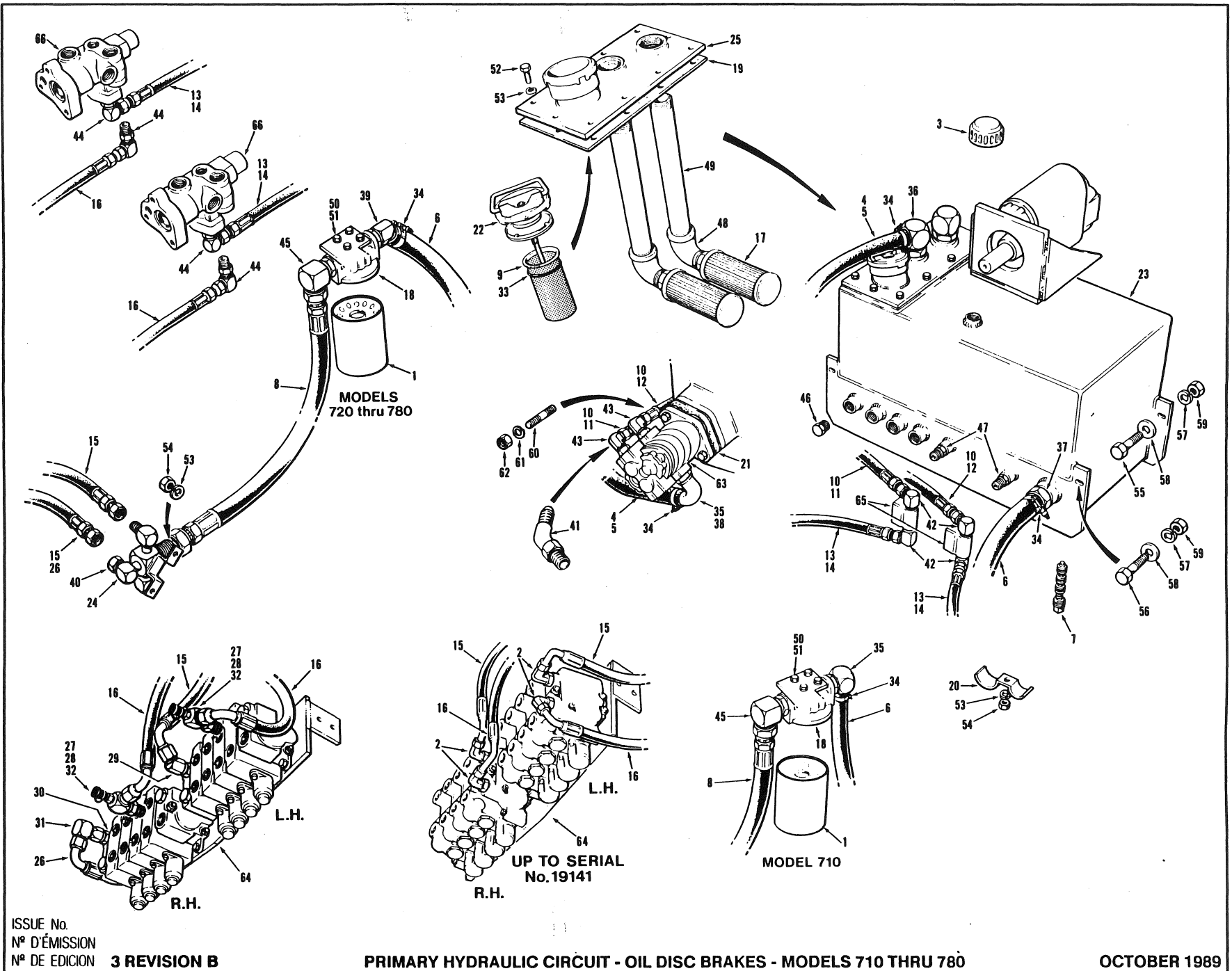
700 SERIES
 SERIE 700

SECTION
 SECCION

4

PAGE
 PAGINA

19



USE ONLY CHAMPION ROAD MACHINERY APPROVED PARTS

ISSUE No.
 N° D'ÉMISSION
 N° DE EDICION **3 REVISION B**

PRIMARY HYDRAULIC CIRCUIT - OIL DISC BRAKES - MODELS 710 THRU 780

OCTOBER 1989

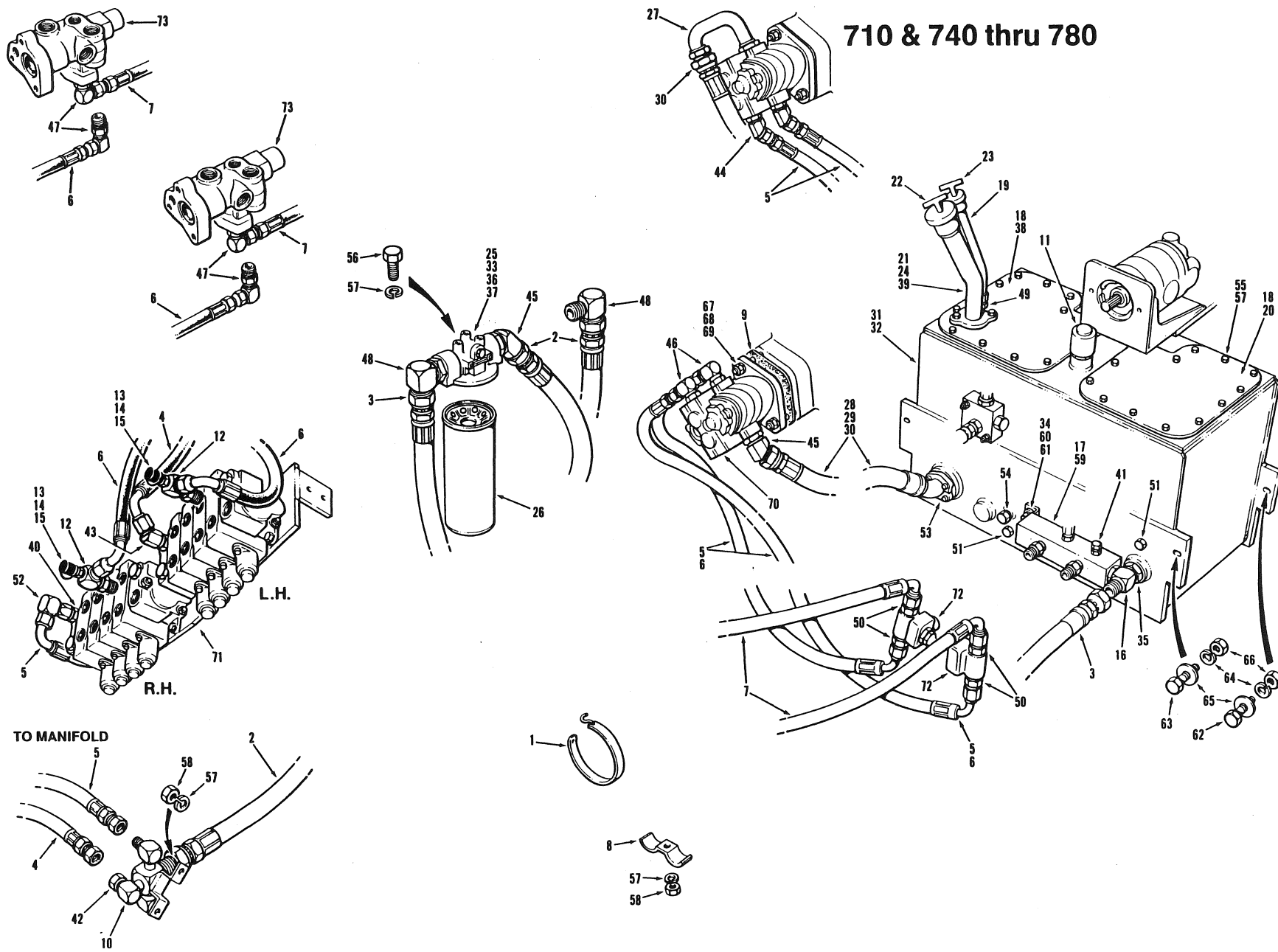
FOR LIST OF PARTS - TURN THIS PAGE

POUR LA LISTE DES PIÈCES - VOIR AU VERSO

PARA LA LISTA DE LAS PIEZAS - VER AL VERSO

SECTION SECCION		PAGE PAGINA		ISSUE No. N° D'ÉMISSION N° DE EDICION		3 REVISION B		PRIMARY HYDRAULIC CIRCUIT - OIL DISC BRAKES - MODELS 710 THRU 780				OCTOBER 1989	
No. N° N°	PART No. N° DE PIÈCE N° DE PIEZA	DESCRIPTION DÉSCRIPTION DESCRIPCION		No. REQ. N° REQ. N° REQ.	REMARKS REMARQUES NOTAS	No. N° N°	PART No. N° DE PIÈCE N° DE PIEZA	DESCRIPTION DÉSCRIPTION DESCRIPCION		No. REQ. N° REQ. N° REQ.	REMARKS REMARQUES NOTAS		
1	13028	FILTER ELEMENT - INCLUDES GASKET		1		36	108A-2424	CONNECTOR		4			
2	14292	CONNECTOR		4	UP TO S/N 19141	37	108C-2424	CONNECTOR		1			
3	16894	AIR BREATHER		1		38	108G-2420	CONNECTOR		1	720 & 730		
4	17156X24	HOSE		1	720 thru 780	39	108H-2420	CONNECTOR		1	720 thru 780		
5	17156X26	HOSE		1	710	40	110E-12	CAP		1			
6	17156X67	HOSE		1		41	111A-1212	CONNECTOR		2	740 thru 780		
7	27449	MAGNETIC PLUG		1		42	111B-1210	CONNECTOR		4			
8	27739X60	HOSE		1		43	111B-1212	CONNECTOR		2	710 thru 730		
9	28008	STRAINER - INCLUDES ITEM 33		1		44	111B-1216	CONNECTOR		4			
10	28485X28	HOSE		2	740 thru 780	45	111B-2420	CONNECTOR		1			
11	28485X42	HOSE		1	710 thru 730	46	111H-12	PLUG		3			
12	28485X47	HOSE		1	710 thru 730	47	111P-10	CONNECTOR		2			
13	28485X90	HOSE		2	720 thru 780	48	115J-2424	ELBOW		2			
14	28485X108	HOSE		2	710	49	115Z-2420	NIPPLE		2			
15	28696X24	HOSE		1 or 2		50	50A-0508	BOLT		4			
16	28696X55	HOSE		2		51	14A-05	LOCKWASHER		4			
17	32668	STRAINER		1		52	50A-0608	BOLT		10			
18	40320	OIL FILTER - INCLUDES ITEM 1		1		53	14A-06	LOCKWASHER		15			
19	40425	GASKET		1		54	30A-06	NUT		5			
20	40854	CLAMP		3		55	50A-1016	BOLT		2			
21	42794	GASKET		1		56	50A-1018	BOLT		2			
22	44672	FILLER CAP - INCLUDES DIPSTICK		1		57	14A-10	LOCKWASHER		4			
23	45356	HYDRAULIC OIL TANK		1		58	14C-10	FLATWASHER		4			
24	45942	CROSS		1		59	30A-10	NUT		4			
25	50043	ACCESS PLATE		1		60	354E-12075	STUD		2			
26	28696X36	HOSE		1		61	314A-12	LOCKWASHER		2			
27	*49837	CONNECTOR		2		62	330A-12	NUT		2			
28	*51286	QUICK DISCONNECT COUPLING - MALE		2		63		HYDRAULIC PUMP		REF.	SECTION 4 PAGE 2		
	*51287	QUICK DISCONNECT COUPLING - FEMALE - (FOR TESTING)		1	S/N 19306 & UP	64		MANIFOLD VALVE ASSEMBLY		REF.	SECTION 4 PAGE 8		
29	111A-1210	CONNECTOR		1		65		RELIEF VALVE ASSEMBLY		REF.	SECTION 4 PAGE 16		
30	111E-1210	CONNECTOR		1		66		HYDRAULIC BRAKE VALVE		REF.	SECTION 9 PAGE 18		
31	112B-12	ELBOW		1									
32	*51288	DUST CAP		2									
33	12A-228	O RING		1									
34	22A-200	CLAMP		4									
35	108A-2420	CONNECTOR		1	710 & 740 thru 780								

710 & 740 thru 780



EFFECTIVE SERIAL NUMBER(S)
 NUMEROS DE SERIE EFFECTIF(S)
 NUMEROS DE SERIE EFECTIVOS)

20121 & UP

700 SERIES
 SERIE 700

SECTION 4
 SECCION 4
 PAGE 19
 PAGINA 19

ISSUE No.
 N° D'ÉMISSION
 N° DE EDICION 4

PRIMARY HYDRAULIC CIRCUIT - OIL DISC BRAKES - MODELS 710 THRU 780

SEPTEMBER 1989

FOR LIST OF PARTS - TURN THIS PAGE

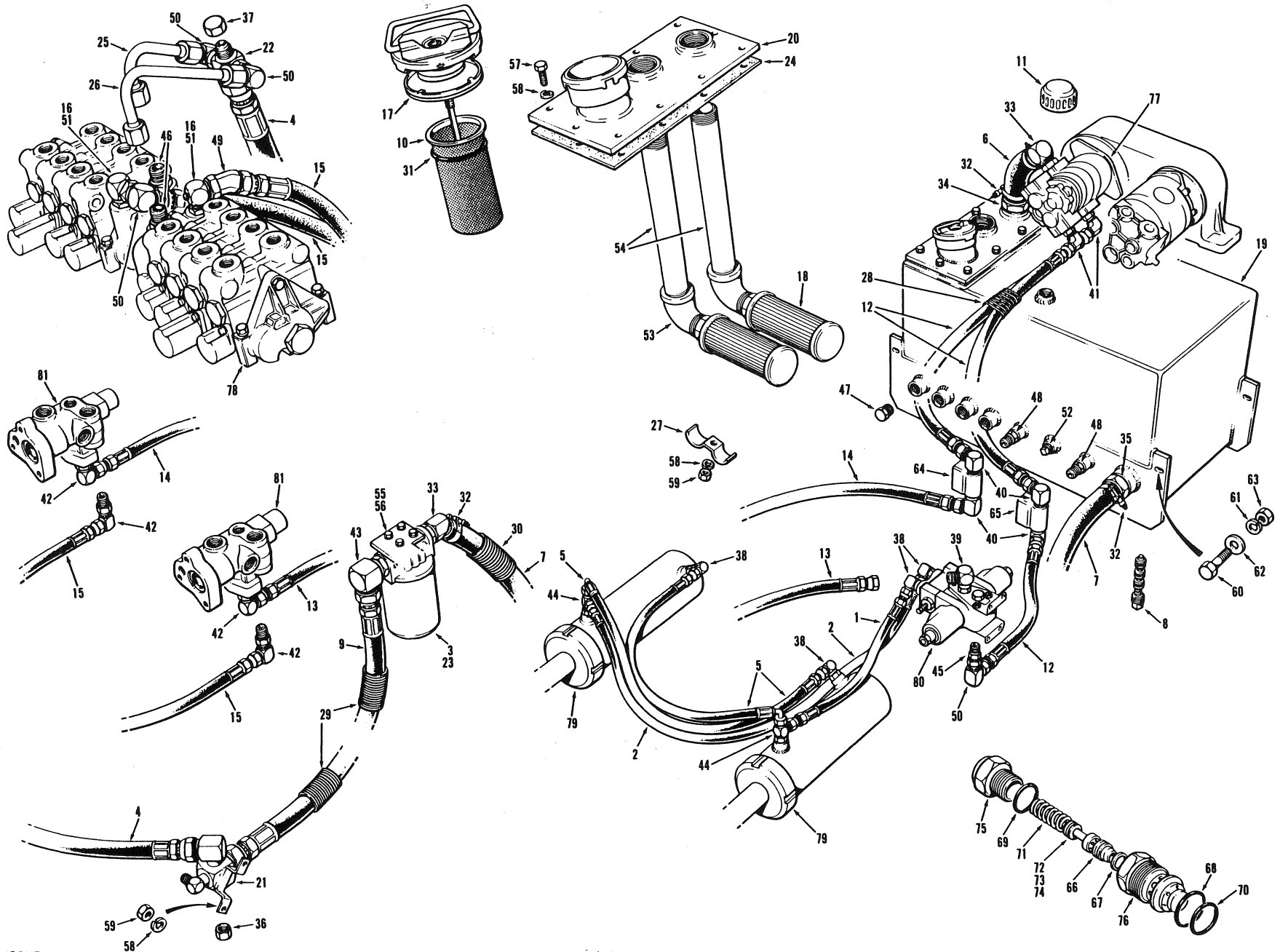
POUR LA LISTE DES PIÈCES - VOIR AU VERSO

PARA LA LISTA DE LAS PIEZAS - VER AL VERSO

USE ONLY CHAMPION ROAD MACHINERY APPROVED PARTS

SECTION SECCION		PAGE PAGINA		ISSUE No. N° D'ÉMISSION N° DE EDICION		PRIMARY HYDRAULIC CIRCUIT - OIL DISC BRAKES - MODELS 710 THRU 780			SEPTEMBER 1989	
No. N°	PART No. N° DE PIÈCE N° DE PIEZA	DESCRIPTION DÉSCRIPTION DESCRIPCION	No. REQ. N° REQ. N° REQ.	REMARKS REMARQUES NOTAS	No. N°	PART No. N° DE PIECE N° DE PIEZA	DESCRIPTION DÉSCRIPTION DESCRIPCION	No. REQ. N° REQ. N° REQ.	REMARKS REMARQUES NOTAS	
1	19588	STRAP	3		41	*110E-04	CAP	1		
2	*27739 x 72	HOSE	1		42	110E-12	CAP	1		
3	*27739 x 76	HOSE	1		43	111A-1210	CONNECTOR	1		
4	28696 x 24	HOSE	1		44	111A-1212	CONNECTOR	2	740 thru 780	
5	28696 x 36	HOSE	1 or 3	1 - 710 thru 730	45	*111A2420	CONNECTOR	1 or 2		
				3 - 740 thru 780	46	111B-1212	CONNECTOR	2	710 thru 730	
				4 - 710 thru 780	47	111B-1216	CONNECTOR	4		
6	28696 x 55	HOSE	2 or 4	2 - 740 thru 780	48	111B-2420	CONNECTOR	1 or 2		
				4 - 710 thru 730	49	*111E-0808	CONNECTOR	1		
					50	*111E-1212	CONNECTOR	4		
					51	*111H-08	PLUG	2		
7	* 28696 x 90	HOSE	2		52	112B-12	CONNECTOR	1		
8	40854	CLAMP	1		53	*114D-24	FLANGE KIT - C/W O RING & HARDWARE	1		
9	42794	GASKET	1		54	*115C-08	PLUG	1		
10	45942	CROSS	1		55	50A-0608	BOLT	26		
11	*48878	BREATHER	1		56	*50A-0612	BOLT	3		
12	*49837	CONNECTOR	2		57	14A-06	LOCKWASHER	32		
13	*51286	CONNECTOR	2		58	30A-06	NUT	3		
14	*51287	QUICK DISCONNECT COUPLER	2		59	*50A-0808	BOLT	1		
15	*51288	DUST CAP	2		60	*14A-08	LOCKWASHER	1		
16	*53378	TEE	1		61	*30A-08	NUT	1		
17	*53379	MANIFOLD	1		62	50A-1016	BOLT	2		
18	53439	GASKET - COVER PLATE	2		63	50A-1018	BOLT	2		
19	*53466	NECK ASSEMBLY - DIP STICK	2		64	14A-10	LOCKWASHER	4		
20	*53469	COVER PLATE - L.H.	1		65	14C-10	FLATWASHER	4		
21	*53488	GASKET - FILLER NECK	1		66	30A-10	NUT	4		
22	*53491	CAP	1		67	354E-12075	STUD	2		
23	*53492	DIP STICK	1		68	314A-12	LOCKWASHER	2		
24	*53495	STRAINER	1		69	330A-12	NUT	2		
25	*53510	FILTER ASSEMBLY-INDICATOR C/W ITEMS 26 & 36	1							
26	*53527	FILTER ELEMENT	1		70		HYDRAULIC PUMP	REF.	SECTION 4 PAGE 2	
27	*53563	TUBE	1	740 thru 780						
28	*53568 x 24	HOSE	1	720 thru 730	71		MANIFOLD VALVE ASSEMBLY	REF.	SECTION 4 PAGE 8	
29	*53568 x 29.25	HOSE	1	710						
30	*53568 x 31.5	HOSE	1	740 thru 780	72		RELIEF VALVE ASSEMBLY	REF.	SECTION 4 PAGE 14	
31	*54021	HYDRAULIC OIL TANK	1		73		HYDRAULIC BRAKE VALVE	REF.	SECTION 9 PAGE 18	
32	*54040	MAGNETIC PLUG	1							
33	*54041	FILTER ASSEMBLY - NO INDICATOR C/W ITEMS 26 & 37	1							
34	*54055	BRACKET	1							
35	*54137	DIFFUSER	1							
36	*54171	HEAD - INDICATOR	1							
37	*54172	HEAD - NO INDICATOR	1							
38	*54352	COVER PLATE - R.H.	1							
39	*54353	FILLER NECK	1							
40	*54416	CONNECTOR	1							

CHAMPION ROAD MACHINERY



ISSUE No.
 N° D'ÉMISSION
 N° DE EDICION **1 REVISION A**

PRIMARY HYDRAULIC CIRCUIT - OIL DISC BRAKES - MODEL 720A THRU 740A

APRIL 1986

FOR LIST OF PARTS - TURN THIS PAGE POUR LA LISTE DES PIÈCES - VOIR AU VERSO PARA LA LISTA DE LAS PIEZAS - VER AL VERSO

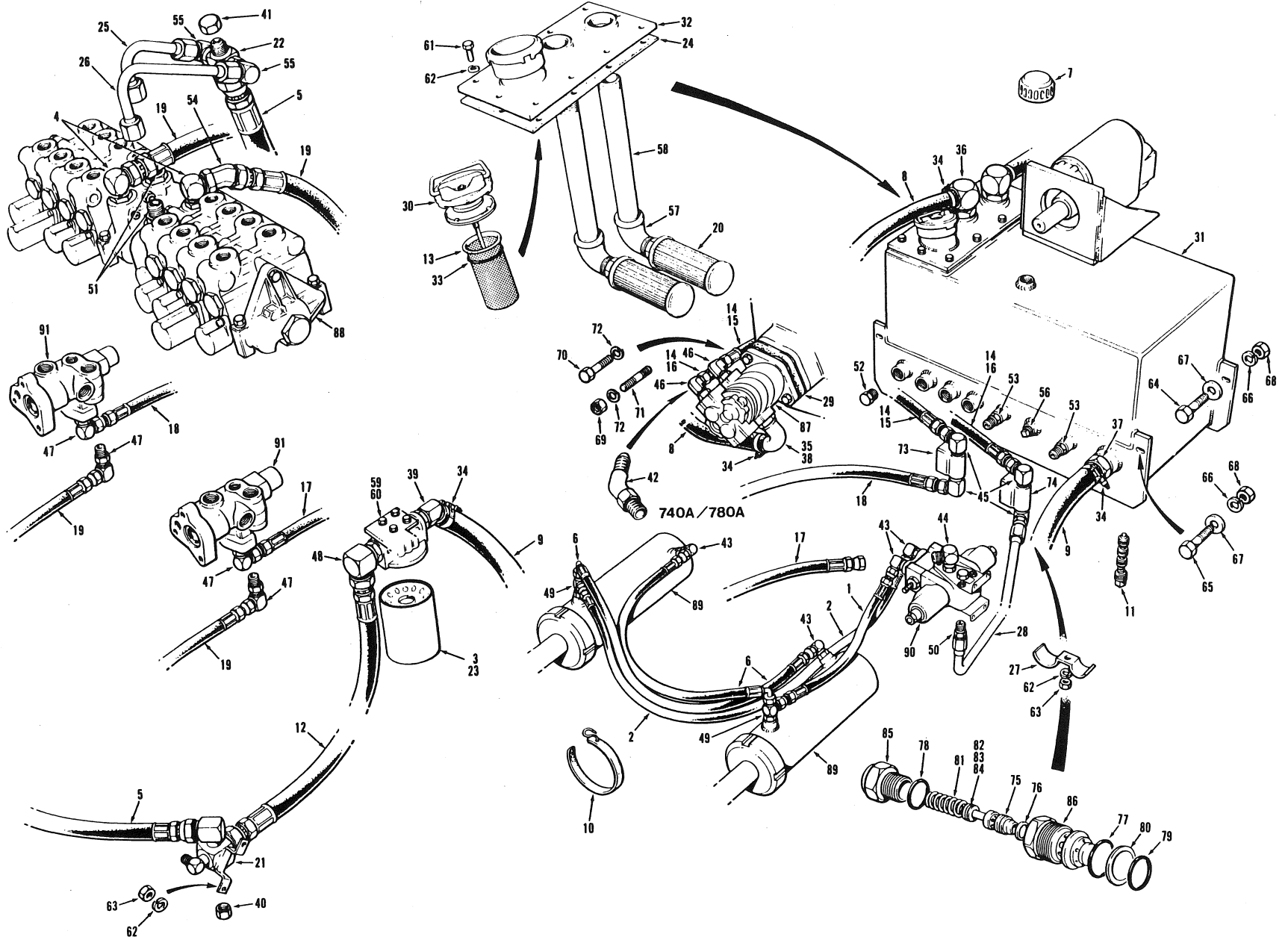
EFFECTIVE SERIAL NUMBERS) 16224, 16245 TO 16797
 NUMEROS) DE SERIE EFFECTIFS)
 NUMEROS) DE SERIE EFFECTIVOS)
 U.S. 2021-2 TO 2419-2

700 SERIES
SERIE 700

SECTION 4
SECTION 4
PAGE 21
PAGINA 21

USE ONLY **CHAMPION** APPROVED PARTS
 ROAD MACHINERY

SECTION SECCION 4		PAGE PAGINA 22	ISSUE No. N° D'ÉMISSION N° DE EDICION 1	REVISION A PRIMARY HYDRAULIC CIRCUIT-OIL DISC BRAKES-MODEL 720A THRU 740A				APRIL 1986		
No. N°	PART No. N° DE PIÈCE N° DE PIEZA	DESCRIPTION DESCRIPTION DESCRIPCION	No. REQ. N° REQ. N° REQ.	REMARKS REMARQUES NOTAS	No. N°	PART No. N° DE PIECE N° DE PIEZA	DESCRIPTION DESCRIPTION DESCRIPCION	No. REQ. N° REQ. N° REQ.	REMARKS REMARQUES NOTAS	
1	9313 X 28	HOSE	1		49	112A-12	CONNECTOR	1		
2	9313 X 53.5	HOSE	1		50	112B-12	CONNECTOR	3		
3	13028	FILTER ELEMENT - INCLUDES GASKET	1		51	115D-02	PLUG	2		
4	14379 X90	HOSE	2		52	115E-08	PLUG	1		
5	14382 X 36	HOSE	2		53	115J-2424	ELBOW	2		
6	17156 X 8.5	HOSE	1		54	115Z-2424	NIPPLE	2		
7	17156 X 67	HOSE	1							
8	27449	MAGNETIC PLUG	1		55	50A-0508	BOLT	4		
9	27739 X 109	HOSE	1		56	14A-05	LOCKWASHER	4		
10	28008	STRAINER - INCLUDES ITEM - 31	1		57	50A-0608	BOLT	A.R.		
11	16894	AIR BREATHER	1		58	14A-06	LOCKWASHER	A.R.		
12	28485 X 28	HOSE	3		59	30A-06	NUT	A.R.		
13	28485 X 64	HOSE	1		60	50A-1016	BOLT	4		
14	28485 X 108	HOSE	1		61	14A-10	LOCKWASHER	4		
15	28485 X 155	HOSE	2		62	14C-10	FLATWASHER	4		
16	32589	CONNECTOR - INCLUDES ITEM - 51	2		63	30A-10	NUT	4		
17	42167	FILLER CAP - INCLUDES DIPSTICK	1							
18	32668	STRAINER	2							
19	40219	HYDRAULIC OIL TANK	1							
20	40236	ACCESS PLATE	1							
21	40288	CROSS	1							
22	40290	CROSS	1							
23	40320	OIL FILTER - INCLUDES ITEM - 3	1							
24	40425	GASKET	1		64	40503	RELIEF VALVE ASSY. - 1900 p.s.i. - INCLUDES ITEMS 66 TO 76	1		
25	40505	TUBE	1		65	40504	RELIEF VALVE ASSY. - 2100 p.s.i. - INCLUDES ITEMS 66 TO 76	1		
26	40506	TUBE	1							
27	40975	CLAMP	A.R.							
28	41646 X 6	HOSE PROTECTOR	2		66	27547	SERVICE KIT - INCLUDES ITEMS 66 & 67	A.R.		
29	41648 X 6	HOSE PROTECTOR	2		67		POPPET	1		
30	41715 X 6	HOSE PROTECTOR	2		68	27551	PISTON RING	1		
31	12A-228	O RING	1	AS REQ'D	69		SEAL KIT INCLUDES ITEMS 68 TO 71	A.R.		
32	22A-200	CLAMP	14		70		O RING	1		
33	108A-2420	CONNECTOR	1		71		O RING	1		
34	108C-2420	CONNECTOR	1		72	27552	SPRING	1		
35	108C-2424	CONNECTOR	1		73	50067	SHIM - 0.10" (0.25mm) THICK	A.R.		
36	110E-08	CAP	1		74	50066	SHIM - 0.20" (0.51mm) THICK	A.R.		
37	110E-12	CAP	1		75	50065	SHIM - 0.40" (1.02mm) THICK	A.R.		
38	111B-0808	CONNECTOR	4		76		CAP	1		
39	111B-1208	CONNECTOR	1				BODY	1		
40	111B-1210	CONNECTOR	4		77		HYDRAULIC PUMP	REF.	SECTION 4 PAGE 2	
41	111B-1212	CONNECTOR	2		78		MANIFOLD VALVE ASSEMBLY	REF.	SECTION 4 PAGE 8	
42	111B-1216	CONNECTOR	4		79		ARTICULATION CYLINDER ASSEMBLY	REF.	SECTION 4 PAGE 18	
43	111B-2420	CONNECTOR	1		80		SOLENOID VALVE ASSEMBLY	REF.	SECTION 4 PAGE 38	
44	111D-0808	TEE	2		81		HYDRAULIC BRAKE VALVE	REF.	SECTION 9 PAGE 18	
45	111E-1208	CONNECTOR	1							
46	111E-1212	CONNECTOR	2							
47	111H-12	PLUG	A.R.							
48	111P-1010	CONNECTOR	2							



EFFECTIVE SERIAL NUMBER(S) 16799 & UP
 NUMERO(S) DE SÉRIE EFFECTIF(S)
 NUMERO(S) DE SÉRIE EFFECTIVO(S)
 U.S. 2420-2 & UP

700 SERIES
 SERIE 700

SECTION 4 PAGE 21
 SECCION 4 PAGINA 21

ISSUE No. 2 REVISION B
 N° D'ÉMISSION
 N° DE EDICION

PRIMARY HYDRAULIC CIRCUIT - OIL DISC BRAKES - MODEL 720A THRU 780A

AUGUST 1987

FOR LIST OF PARTS - TURN THIS PAGE

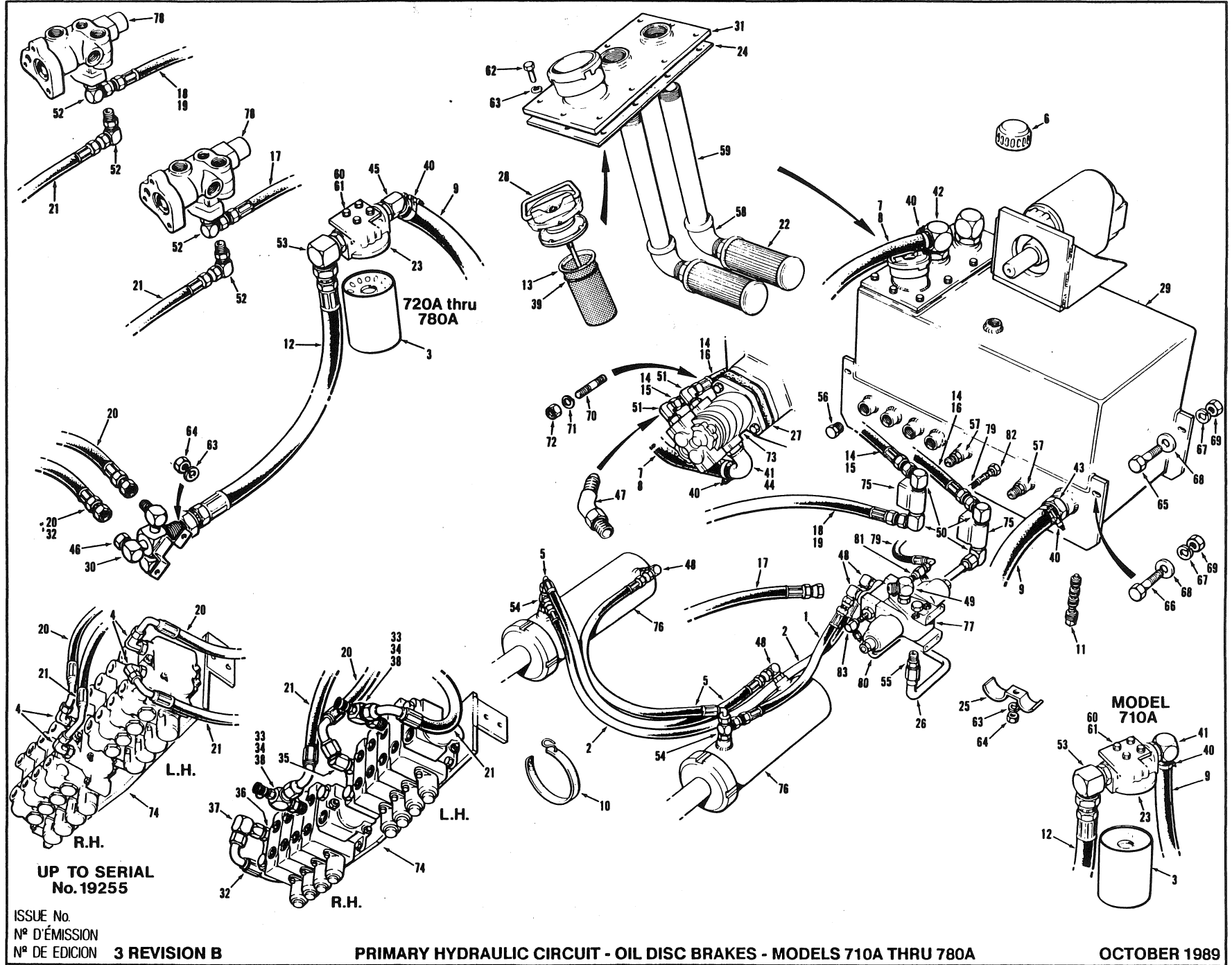
POUR LA LISTE DES PIÈCES - VOIR AU VERSO

PARA LA LISTA DE LAS PIEZAS - VER AL VERSO

USE ONLY CHAMPION ROAD MACHINERY APPROVED PARTS

SECTION SECCION 4		PAGE PAGINA 22	ISSUE No. N° D'ÉMISSION N° DE EDICION 2 REV. B	PRIMARY HYDRAULIC CIRCUIT-OIL DISC BRAKES-MODEL 720A THRU 780A		AUGUST 1987			
No. N°	PART No. N° DE PIÈCE N° DE PIEZA	DESCRIPTION DESCRIPTION DESCRIPCION	No. REQ. N° REQ.	REMARKS REMARQUES NOTAS	No. N°	PART No. N° DE PIÈCE N° DE PIEZA	DESCRIPTION DESCRIPTION DESCRIPCION	No. REQ. N° REQ.	REMARKS REMARQUES NOTAS
1	9313 X 28	HOSE	1		51	111E-1212	CONNECTOR	2	
2	9313 X 53.5	HOSE	1		52	111H-12	PLUG	3	
3	13028	FILTER ELEMENT - INCLUDES GASKET	1		53	111P-10	CONNECTOR	2	
4	14292	CONNECTOR	2		54	112A-12	CONNECTOR	1	
5	14379 X90	HOSE	2		55	112B-12	CONNECTOR	5	
6	14382 X 36	HOSE	2		56	115E-08	PLUG	1	
7	16894	AIR BREATHER	1		57	115J-2424	ELBOW	2	
8	17156 X 24	HOSE	1		58	*115Z-2420	NIPPLE	2	
9	17156 X 67	HOSE	1						
10	19588	STRAP	2		59	50A-0508	BOLT	4	
11	27449	MAGNETIC PLUG	1		60	14A-05	LOCKWASHER	4	
12	27739 X 109	HOSE	1		61	50A-0608	BOLT	A.R.	
13	28008	STRAINER - INCLUDES ITEM - 33	1		62	14A-06	LOCKWASHER	A.R.	
14	28485 X 28	HOSE	2	L-10-C	63	30A-06	NUT	A.R.	
15	28485 X 42	HOSE	1	6CT8.3	64	50A-1016	BOLT	2	
16	28485 X 47	HOSE	1	6CT8.3	65	50A-1018	BOLT	2	
17	28485 X 64	HOSE	1		66	14A-10	LOCKWASHER	4	
18	28485 X 90	HOSE	1		67	14C-10	FLATWASHER	4	
19	28485 X 155	HOSE	2		68	30A-10	NUT	4	
20	32668	STRAINER	2		69	330A-12	NUT	2	
21	40288	CROSS	1		70	350A-12075	BOLT	2	
22	40290	CROSS	1		71	354A-12090	STUD	2	
23	40320	OIL FILTER - INCLUDES ITEM - 3	1		72	314A-12	LOCKWASHER	2	
24	40425	GASKET	1						
25	40505	TUBE	1						
26	40506	TUBE	1						
27	40854	CLAMP	1						
28	42292	TUBE	1						
29	42794	GASKET	1		73	40503	RELIEF VALVE ASSY. - 1900 p.s.i. - INCLUDES ITEMS 75 TO 86	1	
30	*44672	FILLER CAP - INCLUDES DIPSTICK	1		74	40504	RELIEF VALVE ASSY. - 2100 p.s.i. - INCLUDES ITEMS 75 TO 86	1	
31	*45356	HYDRAULIC OIL TANK	1			27547	SERVICE KIT - INCLUDES ITEMS 75 & 76	A.R.	
32	*50043	ACCESS PLATE	1		75		POPPET	1	
33	12A-228	O RING	1		76	*45549	PISTON RING	1	
34	22A-200	CLAMP	4				SEAL KIT INCLUDES ITEMS 77 TO 80	A.R.	
35	108A-2420	CONNECTOR	1	L-10-C	77		O RING	1	
36	108A-2424	CONNECTOR	1		78		O RING	1	
37	108C-2424	CONNECTOR	1		79		O RING	1	
38	108G-2420	CONNECTOR	1	6CT8.3	80		BACK UP WASHER	1	
39	108H-2420	CONNECTOR	1		81	27552	SPRING	1	
40	110E-08	CAP	1		82	50067	SHIM - 0.10" (0.25mm) THICK	A.R.	
41	110E-12	CAP	1		83	50066	SHIM - 0.20" (0.51mm) THICK	A.R.	
42	111A-1212	CONNECTOR	2	L-10-C	84	50065	SHIM - 0.40" (1.02mm) THICK	A.R.	
43	111B-0808	CONNECTOR	4		85		CAP	1	
44	111B-1208	CONNECTOR	1		86		BODY	1	
45	111B-1210	CONNECTOR	4						
46	111B-1212	CONNECTOR	2	6CT8.3	87		HYDRAULIC PUMP	REF.	SECTION 4 PAGE 2
47	111B-1216	CONNECTOR	4		88		MANIFOLD VALVE ASSEMBLY	REF.	SECTION 4 PAGE 8
48	111B-2420	CONNECTOR	1		89		ARTICULATION CYLINDER ASSEMBLY	REF.	SECTION 4 PAGE 18
49	111D-0808	TEE	2		90		SOLENOID VALVE ASSEMBLY	REF.	SECTION 4 PAGE 38
50	111E-1208	CONNECTOR	1		91		HYDRAULIC BRAKE VALVE	REF.	SECTION 4 PAGE 18

CHAMPION ROAD MACHINERY



EFFECTIVE SERIAL NUMBERS) 18578, 18590, 18592 to 20096
 NUMEROSI) DE SERIE EFFECTIV(S) EXCLUDING 19984
 NUMEROSI) DE SERIE EFFECTIVO(S)

700 SERIES
 SERIE 700

SECTION 4 PAGE 21
 SECCION 4 PAGINA 21

ISSUE No. 3 REVISION B
 N° D'ÉMISSION
 N° DE EDICION

PRIMARY HYDRAULIC CIRCUIT - OIL DISC BRAKES - MODELS 710A THRU 780A

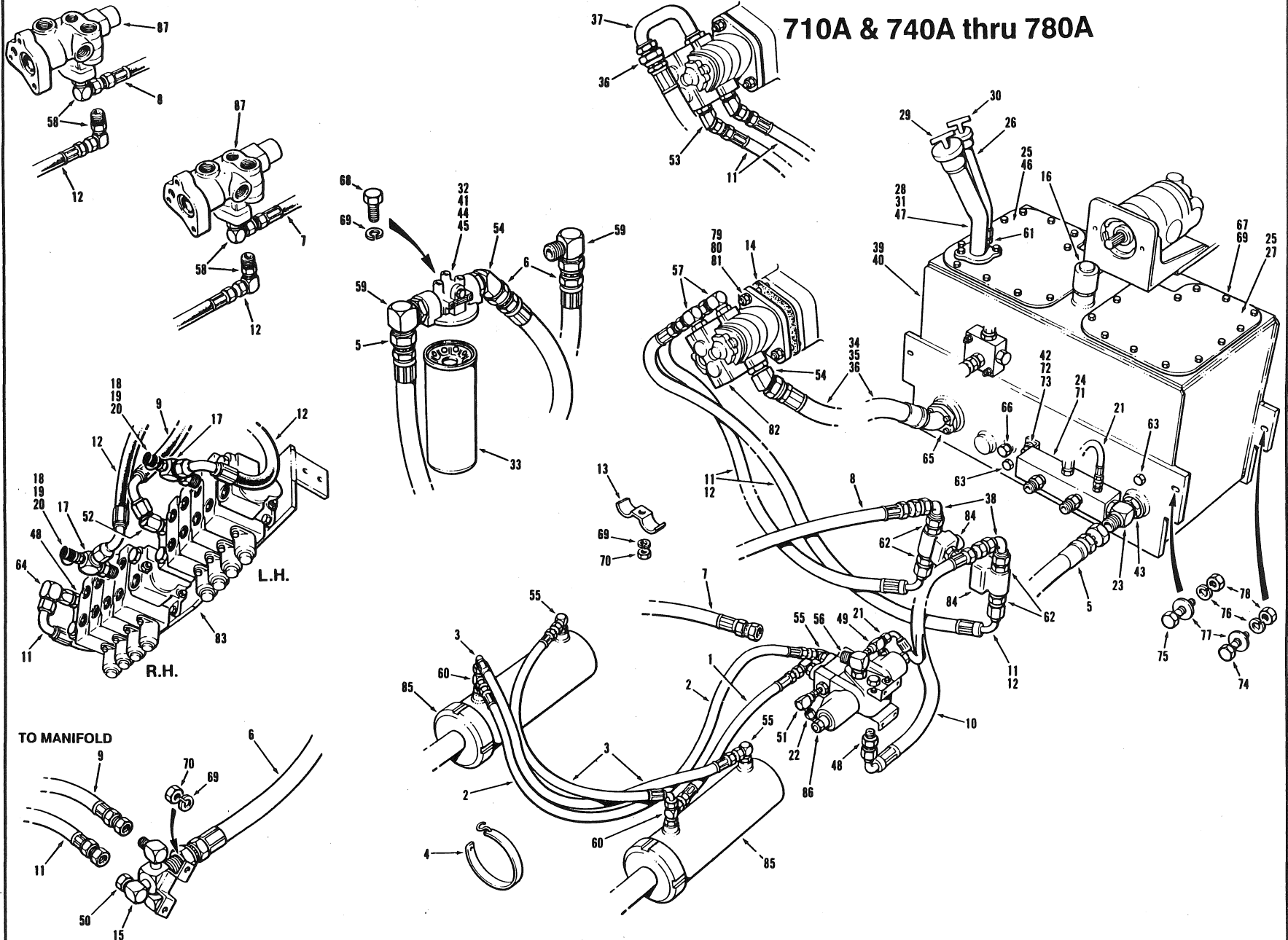
OCTOBER 1989

FOR LIST OF PARTS - TURN THIS PAGE POUR LA LISTE DES PIÈCES - VOIR AU VERSO PARA LA LISTA DE LAS PIEZAS - VER AL VERSO

USE ONLY CHAMPION ROAD MACHINERY APPROVED PARTS

SECTION SECCION	4	PAGE PAGINA	22	ISSUE No. N° D'ÉMISSION N° DE EDICION	3 REVISION B	PRIMARY HYDRAULIC CIRCUIT - OIL DISC BRAKES - MODELS 710A THRU 780A	OCTOBER 1989		
No. N° N°	PART No. N° DE PIÈCE N° DE PIEZA	DESCRIPTION DÉSCRIPTION DESCRIPCION	No. REQ. N° REQ. N° REQ.	REMARKS REMARQUES NOTAS	No. N° N°	PART No. N° DE PIECE N° DE PIEZA	DESCRIPTION DÉSCRIPTION DESCRIPCION	No. REQ. N° REQ. N° REQ.	REMARKS REMARQUES NOTAS
1	9313X28	HOSE	1		44	108G-2420	CONNECTOR	1	710A thru 730A
2	9313X53.5	HOSE	1		45	108H-2420	CONNECTOR	1	720A thru 780A
3	13028	FILTER ELEMENT - INCLUDES GASKET	1		46	110E-12	CAP	1	
4	14292	CONNECTOR	4	UP TO S/N 19255	47	111A-1212	CONNECTOR	2	740A thru 780A
5	14382X36	HOSE	2		48	111B-0808	CONNECTOR	4	
6	16894	AIR BREATHER	1		49	111B-1208	CONNECTOR	1	
7	17156X24	HOSE	1	720A thru 780A	50	111B-1210	CONNECTOR	4	
8	17156X26	HOSE	1	710A	51	111B-1212	CONNECTOR	2	710A thru 730A
9	17156X67	HOSE	1		52	111B-1216	CONNECTOR	4	
10	19588	STRAP	3		53	111B-2420	CONNECTOR	1	
11	27449	MAGNETIC PLUG	1		54	111D-0808	TEE	2	
12	27739X109	HOSE	1		55	111E-1208	CONNECTOR	1	
13	28008	STRAINER - INCLUDES ITEM 39	1		56	111H-12	PLUG	3	
14	28485X28	HOSE	2	740A thru 780A	57	111P-10	CONNECTOR	2	
15	28485X42	HOSE	1	710A thru 730A	58	115J-2424	ELBOW	2	
16	28485X47	HOSE	1	710A thru 730A	59	115Z-2420	NIPPLE	2	
17	28485X64	HOSE	1						
18	28485X90	HOSE	1	720A thru 780A	60	50A-0508	BOLT	4	
19	28485X108	HOSE	1	710A	61	14A-05	LOCKWASHER	4	
20	28696X24	HOSE	2		62	50A-0608	BOLT	10	
21	28696X55	HOSE	2		63	14A-06	LOCKWASHER	15	
22	32668	STRAINER	2		64	30A-06	NUT	5	
23	40320	OIL FILTER - INCLUDES ITEM 3	1		65	50A-1016	BOLT	2	
24	40425	GASKET	1		66	50A-1018	BOLT	2	
25	40854	CLAMP	3		67	14A-10	LOCKWASHER	4	
26	42292	TUBE	1		68	14C-10	FLATWASHER	4	
27	42794	GASKET	1		69	30A-10	NUT	4	
28	44672	FILLER CAP - INCLUDES DIPSTICK	1		70	354E-12075	STUD	2	
29	45356	HYDRAULIC OIL TANK	1		71	314A-12	LOCKWASHER	2	
30	45942	CROSS	1		72	330A-12	NUT	2	
31	50043	ACCESS PLATE	1						
32	28696X36	HOSE	1		73		HYDRAULIC PUMP	REF.	SECTION 4 PAGE 2
33	*51286	QUICK DISCONNECT COUPLING - MALE	2		74		MANIFOLD VALVE ASSEMBLY	REF.	SECTION 4 PAGE 8
	*51287	QUICK DISCONNECT COUPLING - FEMALE (FOR TESTING)	1						
34	*51288	DUST CAP	2	S/N 19292 & UP	75		RELIEF VALVE ASSEMBLY	REF.	SECTION 4 PAGE 14
35	111A-1210	CONNECTOR	1		76		ARTICULATION CYLINDER ASSEMBLY	REF.	SECTION 4 PAGES 14 & 18
36	111E-1210	CONNECTOR	1						
37	112B-12	ELBOW	1		77		SOLENOID VALVE ASSEMBLY	REF.	SECTION 4 PAGE 38
38	*49837	CONNECTOR	2						
39	12A-228	O RING	1		78		HYDRAULIC BRAKE VALVE	REF.	SECTION 9 PAGE 18
40	22A-200	CLAMP	4						
41	108A-2420	CONNECTOR	1	710A & 740A thru 780A	79	*52086 x 35	HOSE	1	
42	108A-2424	CONNECTOR	1		80	*52087	TUBE	1	
43	108C-2424	CONNECTOR	1		81	110AE-0402	TEE	1	
					82	*110G-0408	CONNECTOR	1	
					83	*110U-0402	CONNECTOR	1	

710A & 740A thru 780A



USE ONLY  CHAMPION ROAD MACHINERY APPROVED PARTS

EFFECTIVE SERIAL NUMBER(S)
NUMERO(S) DE SERIE EFFECTIF(S)
NUMERO(S) DE SERIE EFECTIVO(S)

19982, 19984, 20106, 20165 & UP

700 SERIES
SERIE 700

SECTION 4 PAGE 21
SECCION 4 PAGINA 21

TO MANIFOLD

ISSUE No. 4
N° D'ÉMISSION 4
N° DE EDICION 4

PRIMARY HYDRAULIC CIRCUIT - OIL DISC BRAKES - MODELS 710A THRU 780A

SEPTEMBER 1989

FOR LIST OF PARTS - TURN THIS PAGE

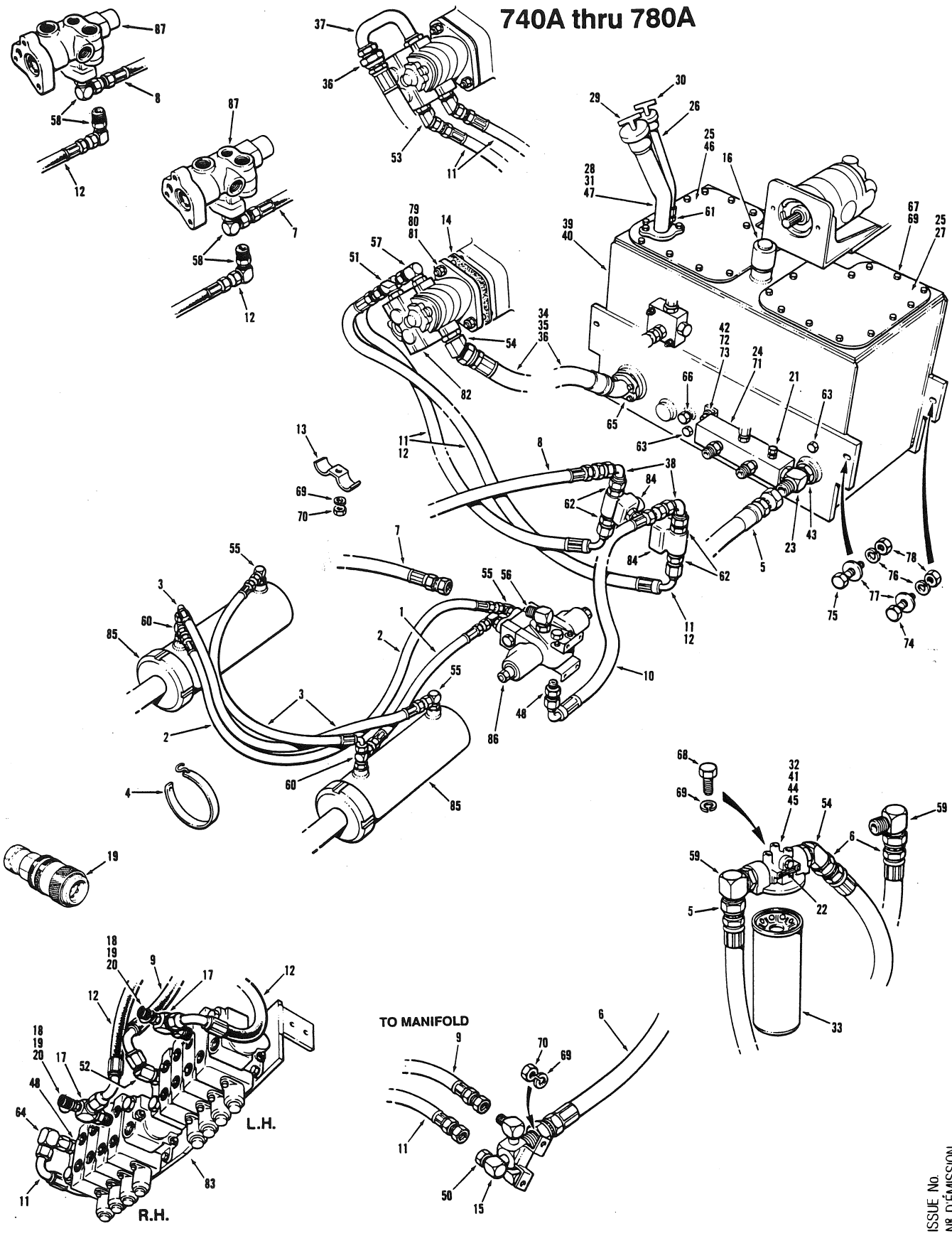
POUR LA LISTE DES PIÈCES - VOIR AU VERSO

PARA LA LISTA DE LAS PIEZAS - VER AL VERSO

SECTION SECCION		PAGE PAGINA		ISSUE No. N° D'ÉMISSION N° DE EDICION		PRIMARY HYDRAULIC CIRCUIT - OIL DISC BRAKES - MODELS 710A THRU 780A				SEPTEMBER 1989	
No. N°	PART No. N° DE PIÈCE N° DE PIEZA	DESCRIPTION DESCRIPTION DESCRIPCION	No. REQ. N° REQ. N° REQ.	REMARKS REMARQUES NOTAS	No. N°	PART No. N° DE PIÈCE N° DE PIEZA	DESCRIPTION DESCRIPTION DESCRIPCION	No. REQ. N° REQ. N° REQ.	REMARKS REMARQUES NOTAS		
1	9313 x 28	HOSE	1		50	110E-12	CAP	1			
2	9313 x 53.5	HOSE	1		51	*110U-0402	CONNECTOR	1			
3	14382 x 36	HOSE	2		52	*111A-1210	CONNECTOR	1			
4	19588	STRAP	3		53	111A-1212	CONNECTOR	2	740A thru 780A		
5	*27739 x 76	HOSE	1		54	*111A-2420	CONNECTOR	1 or 2			
6	27739 x 109	HOSE	1		55	111B-0808	CONNECTOR	4			
7	28685 x 64	HOSE	1		56	111B-1210	CONNECTOR	1			
8	28685 x 90	HOSE	1		57	111B-1212	CONNECTOR	2	710A thru 730A		
9	*28696 x 24	HOSE	1		58	111B-1216	CONNECTOR	4			
10	*28696 x 29	HOSE	1		59	111B-2420	CONNECTOR	1 or 2			
11	28696 x 36	HOSE	1 or 3		60	111D-0808	TEE	2			
12	28696 x 55	HOSE	2 or 4		61	*111E-0808	CONNECTOR	1			
13	40854	CLAMP	3		62	*111E-1212	CONNECTOR	4			
14	42794	GASKET	1		63	*111H-08	PLUG	2			
15	46942	CROSS	1		64	*112B-12	CONNECTOR	1			
16	*48878	BREATHER	1		65	*114D-24	FLANGE KIT C/W O RING & HARDWARE	1			
17	*49837	CONNECTOR	2		66	*115C-08	PLUG	1			
18	*51286	CONNECTOR	2		67	50A-0608	BOLT	26			
19	*51287	QUICK DISCONNECT COUPLER	2		68	*50A-0612	BOLT	3			
20	*51288	DUST CAP	2		69	14A-06	LOCKWASHER	32			
21	*52086 x 36.5	HOSE	1		70	30A-06	NUT	3			
22	*52087	TUBE	1		71	*50A-0808	BOLT	1			
23	*53378	TEE	1		72	*14A-08	LOCKWASHER	1			
24	*53379	MANIFOLD	1		73	*30A-08	NUT	1			
25	*53439	GASKET - COVER PLATE	2		74	50A-1016	BOLT	2			
26	*53466	NECK ASSEMBLY - DIP STICK	1		75	50A-1018	BOLT	2			
27	*53469	COVER PLATE - L.H.	1		76	14A-10	LOCKWASHER	4			
28	*53488	GASKET - FILLER NECK	1		77	14C-10	FLATWASHER	4			
29	*53491	CAP	1		78	30A-10	NUT	4			
30	*53492	DIP STICK	1		79	354E-12075	STUD	2			
31	*53495	STRAINER	1		80	314A-12	LOCKWASHER	2			
32	*53510	FILTER ASSEMBLY - INDICATOR C/W ITEMS 33 & 43	1		81	330A-12	LOCKWASHER	2			
33	*53527	FILTER ELEMENT	1		82		HYDRAULIC PUMP	REF.	SECTION 4 PAGE 2		
34	*53568 x 24	HOSE	1	720A/730A							
35	*53568 x 29.25	HOSE	1	710A	83		MANIFOLD VALVE ASSEMBLY	REF.	SECTION 4 PAGE 8		
36	*53568 x 31.5	HOSE	1	740A thru 780A	84		RELIEF VALVE ASSEMBLY	REF.	SECTION 4 PAGE 14		
37	*53563	TUBE	1		85		ARTICULATION CYLINDER ASSEMBLY	REF.	SECTION 4 PGS. 14 & 22		
38	*53623	ELBOW	2		86		SOLENOID VALVE ASSEMBLY	REF.	SECTION 4 PAGE 38		
39	*54021	HYDRAULIC OIL TANK	1		87		HYDRAULIC BRAKE VALVE	REF.	SECTION 9 PAGE 18		
40	*54040	MAGNETIC PLUG	1								
41	*54041	FILTER ASSEMBLY - NO INDICATOR - C/W ITEMS 33 & 44	1								
42	*54055	BRACKET	1								
43	*54137	DIFFUSER	1								
44	*54171	HEAD - INDICATOR	1								
45	*54172	HEAD - NO INDICATOR	1								
46	*54352	COVER PLATE - R.H.	1								
47	*54353	FILLER NECK	1								
48	*54416	CONNECTOR	2								
49	*110AE-0402	TEE	1								

740A thru 780A

JUNE 1990



PRIMARY HYDRAULIC CIRCUIT - OIL DISC BRAKES - Models 710A thru 780A

FOR LIST OF PARTS - TURN THIS PAGE PARA LA LISTA DE LAS PIEZAS - VOIR AU VERSO

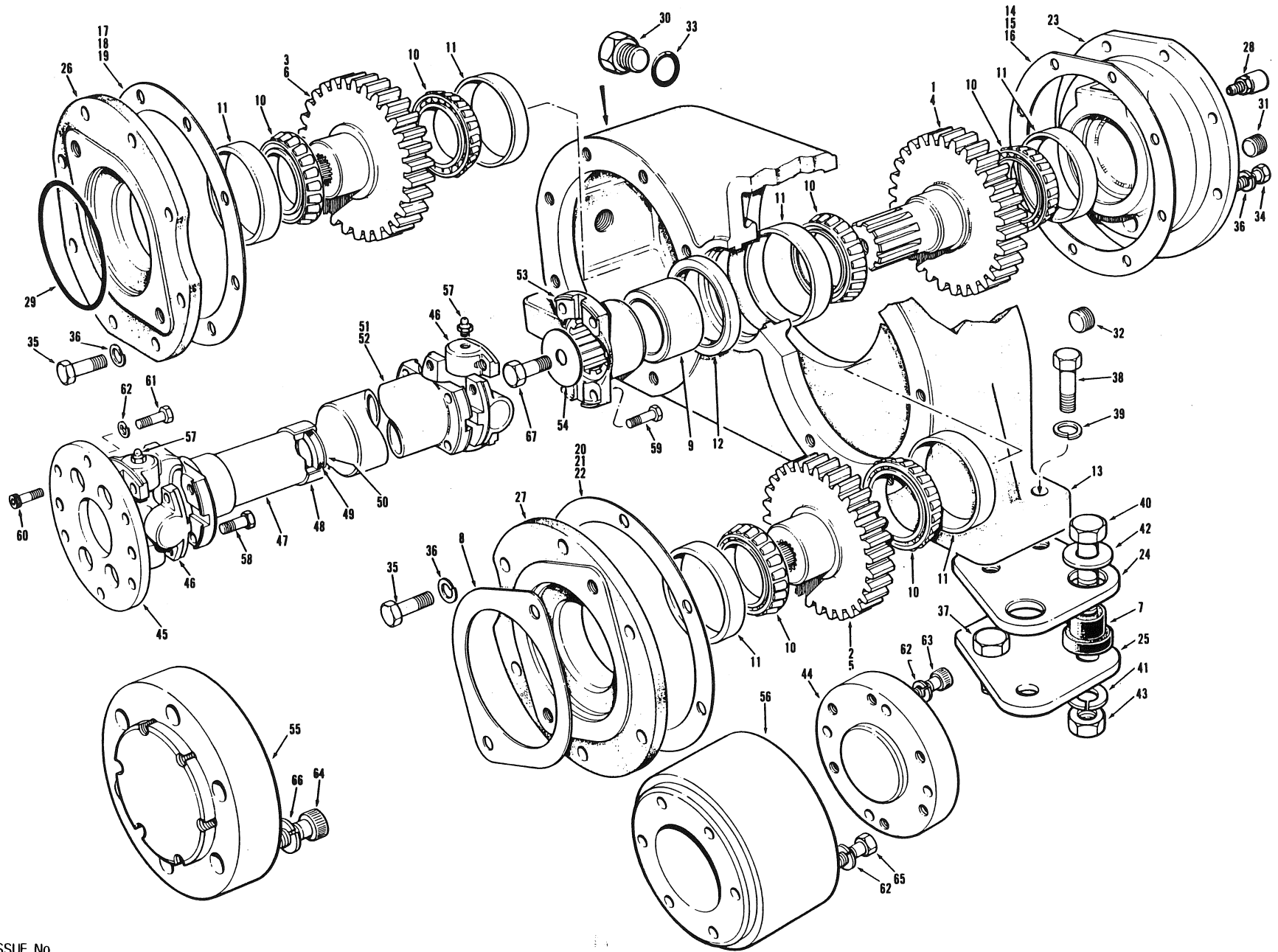
ISSUE No
N° D'ÉMISSION
N° DE EDICION

EFFECTIVE SERIAL NUMBER(S) 20732 & UP
 NUMERO(S) DE SÉRIE EFFECTIF(S)
 NUMERO(S) DE SERIE EFECTIVO(S)

700 SERIES
 SERIE 700

SECTION 4 PAGE 21
 SECCION 4 PAGINA 21

SECTION SECCION		PAGE PAGINA		ISSUE No. N° D'ÉMISSION N° DE EDICION		PRIMARY HYDRAULIC CIRCUIT - OIL DISC BRAKES - Models 710A thru 780A					JUNE 1990	
No. N° N°	PART No. N° DE PIÈCE N° DE PIEZA	DESCRIPTION DESCRIPTION DESCRIPCION	No. REQ. N° REQ. N° REQ.	REMARKS REMARQUES -NOTAS	No. N° N°	PART No. N° DE PIÈCE N° DE PIEZA	DESCRIPTION DESCRIPTION DESCRIPCION	No. REQ. N° REQ. N° REQ.	REMARKS REMARQUES NOTAS			
1	9313 x 28	HOSE	1		51	*112A-12	CONNECTOR	1	710A			
2	9313 x 53.5	HOSE	1		52	111A-1210	CONNECTOR	1				
3	14382 x 36	HOSE	2		53	111A-1212	CONNECTOR	2	740A thru 780A			
4	19588	STRAP	3		54	111A-2420	CONNECTOR	1 or 2				
5	27739 x 76	HOSE	1		55	111B-0808	CONNECTOR	4				
6	27739 x 109	HOSE	1		56	111B-1210	CONNECTOR	1				
7	*28485 x 52	HOSE	1		57	111B-1212	CONNECTOR	2	710A thru 730A			
8	*28485 x 90	HOSE	1		58	111B-1216	CONNECTOR	4				
9	28696 x 24	HOSE	1		59	111B-2420	CONNECTOR	1 or 2				
10	28696 x 29	HOSE	1	740A thru 780A	60	111D-0808	TEE	2				
11	28696 x 36	HOSE	1 or 3		61	111E-0808	CONNECTOR	1				
12	28696 x 55	HOSE	2 or 4		62	111E-1212	CONNECTOR	4				
13	40854	CLAMP	3		63	111H-08	PLUG	2				
14	42794	GASKET	1		64	112B-12	CONNECTOR	1				
15	45942	CROSS	1		65	114D-24	FLANGE KIT C/W O RING & HARDWARE	1				
16	48878	BREATHER	1		66	115C-08	PLUG	1				
17	49837	CONNECTOR	2		67	50A-0608	BOLT	26				
18	51286	QUICK DISCONNECT COUPLER - MALE	2		68	50A-0612	BOLT	3				
19	51287	QUICK DISCONNECT COUPLER - FEMALE (FOR TESTING)	1	IN TOOLBOX	69	14A-06	LOCKWASHER	32				
20	51288	DUST CAP	2		70	30A-06	NUT	3				
21	*28696 x 27	HOSE	1	710A thru 730A	71	50A-0808	BOLT	1				
22	*56824	BY-PASS INDICATOR	1		72	14A-08	LOCKWASHER	1				
23	53378	TEE	1		73	30A-08	NUT	1				
24	53379	MANIFOLD	1		74	50A-1016	BOLT	2				
25	53439	GASKET - COVER PLATE	2		75	50A-1018	BOLT	2				
26	53466	NECK ASSEMBLY - DIP STICK	1		76	14A-10	LOCKWASHER	4				
27	53469	COVER PLATE - L.H.	1		77	14C-10	FLATWASHER	4				
28	53488	GASKET - FILLER NECK	1		78	30A-10	NUT	4				
29	53491	CAP	1		79	354E-12075	STUD	2				
30	53492	DIP STICK	1		80	314A-12	LOCKWASHER	2				
31	53495	STRAINER	1		81	330A-12	LOCKWASHER	2				
32	53510	FILTER ASSEMBLY - INDICATOR C/W ITEMS 22, 33 & 44	1		82		HYDRAULIC PUMP	REF.	SECTION 4			
33	53527	FILTER ELEMENT	1						PAGE 2			
34	53568 x 24	HOSE	1	720A/730A	83		MANIFOLD VALVE ASSEMBLY	REF.	SECTION 4			
35	53568 x 29.25	HOSE	1	710A					PAGE 8			
36	53568 x 31.5	HOSE	1	740A thru	84		RELIEF VALVE ASSEMBLY	REF.	SECTION 4			
37	53563	TUBE	1	780A					PAGE 14			
38	53623	ELBOW	2		85		ARTICULATION CYLINDER ASSEMBLY	REF.	SECTION 4			
39	54021	HYDRAULIC OIL TANK	1						PGS. 14 & 22			
40	54040	MAGNETIC PLUG	1		86		SOLENOID VALVE ASSEMBLY	REF.	SECTION 4			
41	54041	FILTER ASSEMBLY - NO INDICATOR - C/W ITEMS 33 & 45	1						PAGE 38			
42	54055	BRACKET	1		87		HYDRAULIC BRAKE VALVE	REF.	SECTION 9			
43	54137	DIFFUSER	1						PAGE 18			
44	54171	HEAD - INDICATOR	1									
45	54172	HEAD - NO INDICATOR	1									
46	54352	COVER PLATE - R.H.	1									
47	54353	FILLER NECK	1									
48	54416	CONNECTOR	2									
49	*110E-04	CAP	1									
50	110E-12	CAP	1									



USE ONLY  CHAMPION APPROVED PARTS

EFFECTIVE SERIAL NUMBER(S) 16224, 16245 UP TO 16569
 NUMERO(S) DE SERIE EFFECTIF(S)
 NUMERO(S) DE SERIE EFECTIVOS)

700 SERIES
 SERIE 700

SECTION 4 PAGE 23
 SECCION 4 PAGINA 23

ISSUE No. 1 REVISION A
 N° D'ÉMISSION
 N° DE EDICION

PUMP GEARBOX ASSEMBLY - MODEL 720 THRU 760

OCTOBER 1985

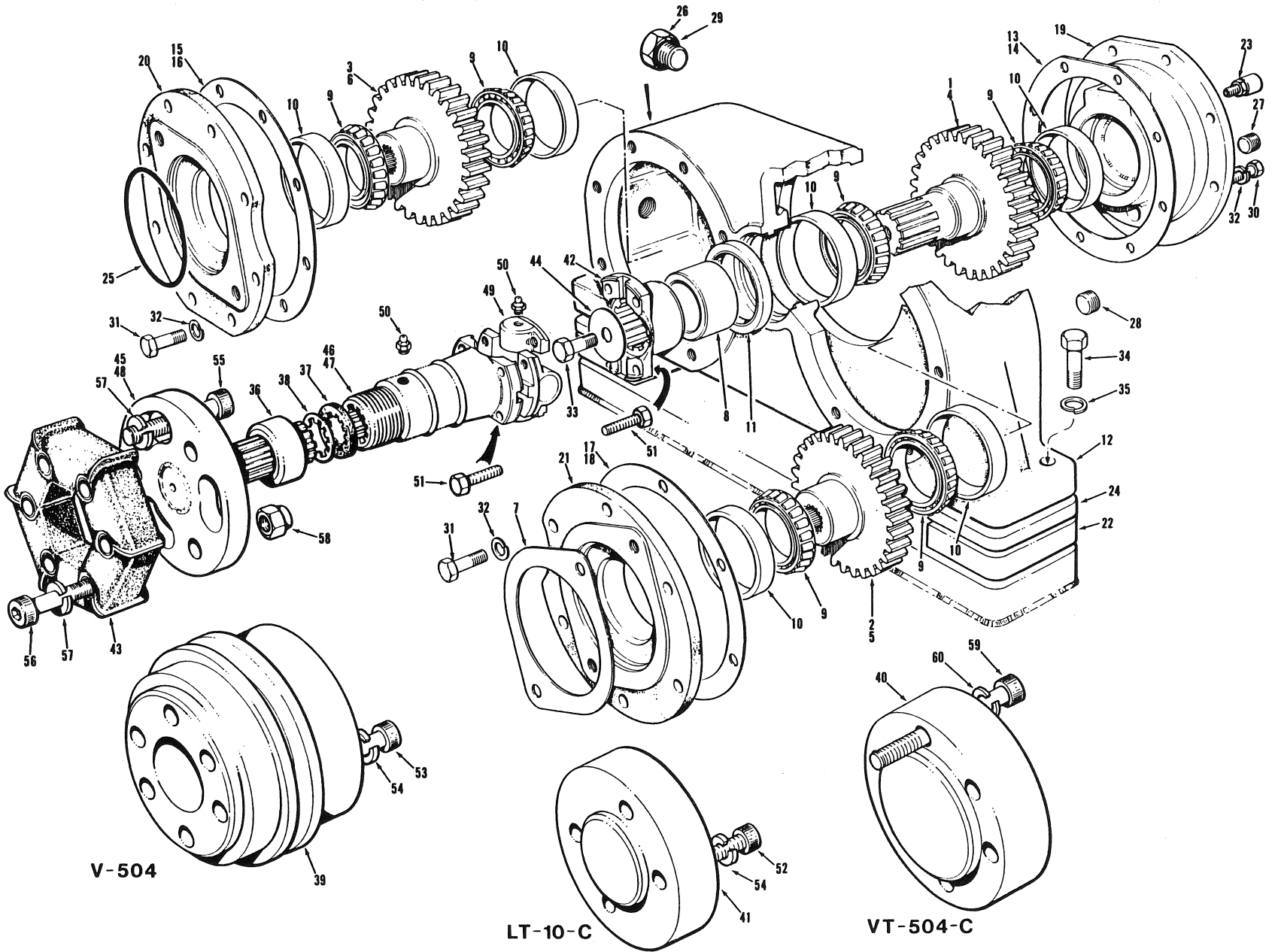
FOR LIST OF PARTS - TURN THIS PAGE POUR LA LISTE DES PIÈCES - VOIR AU VERSO PARA LA LISTA DE LAS PIEZAS - VER AL VERSO

SECTION SECCION 4		PAGE PAGINA 24		ISSUE No. N° D'ÉMISSION N° DE EDICION 1 REVISION A		PUMP GEARBOX ASSEMBLY - MODEL 720 THRU 760			OCTOBER 1985	
No. N° N°	PART No. N° DE PIÉCE N° DE PIEZA	DESCRIPTION DÉSCRIPTION DESCRIPCION	No. REQ. N° REQ. N° REQ.	REMARKS REMARQUES NOTAS	No. N° N°	PART No. N° DE PIÉCE N° DE PIEZA	DESCRIPTION DÉSCRIPTION DESCRIPCION	No. REQ. N° REQ. N° REQ.	REMARKS REMARQUES NOTAS	
	29906	PUMP GEARBOX ASSEMBLY - INCLUDES ITEMS 1 TO 3, 8 TO 23, 26 TO 28 & 30 TO 36	1	740, 740A & 760	34	50A-0606	BOLT	12		
	29907	PUMP GEARBOX ASSEMBLY - INCLUDES ITEMS 4 TO 6, 8 TO 23, 26 TO 28 & 30 TO 36	1	720, 720A 730 & 730A	35	50A-0608	BOLT	14		
					36	14A-06	LOCKWASHER	20		
	29142	GEAR - 31 TOOTH	1	USED WITH	37	50A-0808	BOLT	4		
2	29904	GEAR - 25 TOOTH	1	29906	38	51A-0810	BOLT	4		
3	29905	GEAR - 31 TOOTH	1	GEARBOX	39	14A-08	LOCKWASHER	4		
4	29141	GEAR - 28 TOOTH	1	USED WITH	40	50A-1018	BOLT	4		
5	29903	GEAR - 28 TOOTH	1	29907	41	14A-10	LOCKWASHER	4		
6	29911	GEAR - 34 TOOTH	1	GEARBOX	42	14C-10	FLATWASHER	4		
					43	30A-10	NUT	4		
							<u>PUMP DRIVESHAFT INSTALLATIONS</u>			
7	12375	MOUNT	4			32797	DRIVESHAFT - INCLUDES ITEMS 46 TO 50, 52, 57 & 58	1	V/VT-504-C	
8	16899	GASKET	1							
9	29147	SPACER	1							
10	29158	CONE	6			32798	DRIVESHAFT - INCLUDES ITEMS 46 TO 51, 57 & 58	1	LT-10-C	
11	29159	CUP	6							
12	29160	SEAL	1							
13	29279	CASE	1		44	30409	ADAPTER	1	LT-10-C	
14	29283	SHIM - .005"	A.R.		45	32801	YOKE	1		
15	29284	SHIM - .007"	A.R.		46	33961	BEARING - CROSS	2		
16	29285	SHIM - .020"	A.R.		47	33962	YOKE	1		
17	29286	SHIM - .005"	A.R.		48	33963	CAP	1		
18	29287	SHIM - .007"	A.R.		49	33964	SEAL	1		
19	29288	SHIM - .020"	A.R.		50	33965	WASHER	1		
20	29289	SHIM - .005"	A.R.		51	33967	TUBE	1	LT-10-C	
21	29290	SHIM - .007"	A.R.		52	33968	TUBE	1	V/VT-504-C	
22	29291	SHIM - .020"	A.R.		53	37042	YOKE	1		
23	29528	CAP	1		54	41975	WASHER	1		
24	29682	PLATE - TOP	2		55	40137	ADAPTER	1	VT-504-C	
25	29683	PLATE - BOTTOM	2		56	40138	ADAPTER	1	V-504-C	
26	29923	CAP	1							
27	29925	CAP	1		57	29A-02	GREASE FITTING	A.R.		
28	40296	BREATHER	1		58	51A-0406	BOLT	8		
					59	51A-0506	BOLT	4		
29	12A-242	O RING	1		60	51D-0506	BOLT	4		
30	111H-08	PLUG	1		61	50A-0608	BOLT	6		
31	115D-06	PLUG	1		62	14A-06	LOCKWASHER	A.R.		
32	115D-08	PLUG	1		63	51D-0608	BOLT	4		
33	116A-08	O RING	1		64	50D-0830	BOLT	6		
					65	50A-0832	BOLT	6		
					66	14A-08	LOCKWASHER	6		
					67	50A-0808	BOLT	1		

EFFECTIVE SERIAL NUMBERS: 16570 UP TO 16805
 NUMEROS (S) DE SERIE EFFECTIFS: 16809 UP TO 16816
 NUMEROS (S) DE SERIE EFECTIVOS

700 SERIES
 SERIE 700

SECTION 4 PAGE 23
 SECCION 4 PAGINA 23



ISSUE No.
 N° D'ÉMISSION
 N° DE EDICION 2 REVISION A

PUMP GEARBOX ASSEMBLY - MODEL 720 THRU 760

MARCH 1987

FOR LIST OF PARTS - TURN THIS PAGE

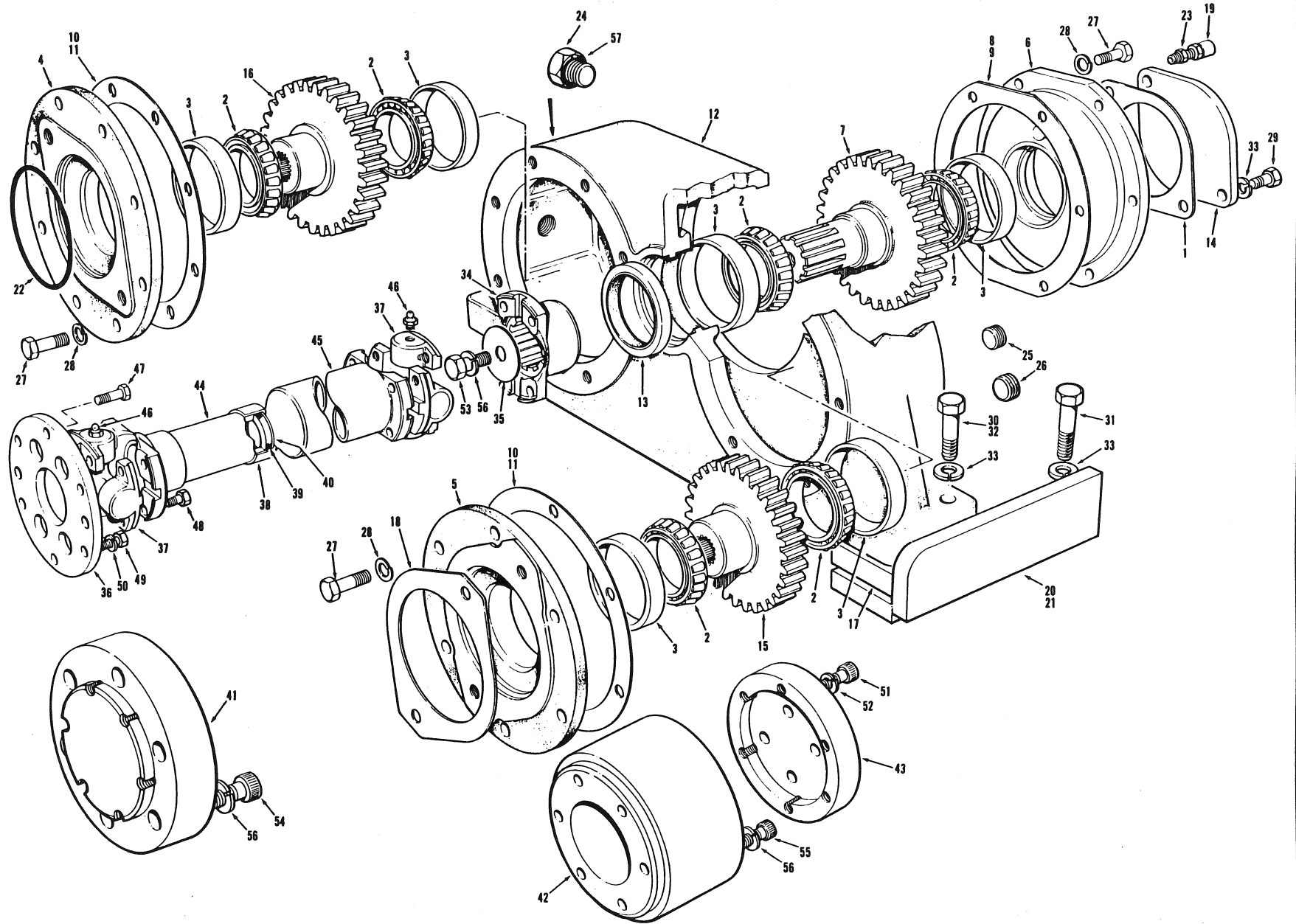
POUR LA LISTE DES PIÈCES - VOIR AU VERSO

PARA LA LISTA DE LAS PIEZAS - VER AL VERSO

USE ONLY CHAMPION ROAD MACHINERY APPROVED PARTS

SECTION SECCION 4		PAGE PAGINA 24	ISSUE No. N° D'ÉMISSION N° DE EDICION	2 REVISION A	PUMP GEARBOX ASSEMBLY - MODEL 720 THRU 760			MARCH 1987		
No. N° N°	PART No. N° DE PIÈCE N° DE PIEZA	DESCRIPTION DESCRIPTION DESCRIPCION	No. REQ. N° REQ. N° REQ.	REMARKS REMARQUES NOTAS	No. N° N°	PART No. N° DE PIÈCE N° DE PIEZA	DESCRIPTION DESCRIPTION DESCRIPCION	No. REQ. N° REQ. N° REQ.	REMARKS REMARQUES NOTAS	
	29927	PUMP GEARBOX ASSEMBLY - INCLUDES ITEMS 1 TO 3, 7 TO 23, 26 TO 32	1	740 , 740A & 760			<u>PUMP DRIVESHAFT INSTALLATIONS</u>			
	29928	PUMP GEARBOX ASSEMBLY - INCLUDES ITEMS 4 TO 6, 7 TO 23, 26 TO 32	1	720 , 720A 730 & 730A		41376	DRIVESHAFT - INCLUDES ITEMS - 36 TO 39 45, 46 & 48	1	V/VT-504-C	
1	29142	GEAR - 31 TOOTH	1	} USED WITH 29927 GEARBOX		41377	DRIVESHAFT - INCLUDES ITEMS - 36 TO 39 44, 45 & 47	1	LT-10-C	
2	29904	GEAR - 25 TOOTH	1							
3	29905	GEAR - 31 TOOTH	1							
4	29141	GEAR - 28 TOOTH	1	} USED WITH 29928 GEARBOX	36	33963	CAP	1		
5	29903	GEAR - 28 TOOTH	1		37	33964	SEAL	1		
6	29911	GEAR - 34 TOOTH	1		38	33965	WASHER	1		
7	16899	GASKET	1		39	41372	ADAPTER	1	V-504-C	
8	29147	SPACER	1		40	41373	ADAPTER	1	VT-504-C	
9	29158	CONE	6		41	41374	ADAPTER	1	LT-10-C	
10	29159	CUP	6		42	41381	YOKE	1		
11	29160	SEAL	1		43	41382	FLEXIBLE RUBBER COUPLING	1		
12	29279	CASE	1		44	*41975	WASHER	1		
13	29283	SHIM - .005"	A.R.		45	*45671	SHAFT ASSEMBLY	1	LT-10-C	
14	29284	SHIM - .007"	A.R.		46	50201	TUBE ASSEMBLY	1	V/VT-504C	
15	29286	SHIM - .005"	A.R.		47	50202	TUBE ASSEMBLY	1	LT-10-C	
16	29287	SHIM - .007"	A.R.		48	50203	SHAFT ASSEMBLY	1	V/VT-504C	
17	29289	SHIM - .005"	A.R.		49	50204	CROSS & BEARING KIT	1		
18	29290	SHIM - .007"	A.R.		50	29A-02	GREASE FITTING	2		
19	29528	CAP	1		51	51A-0506	BOLT	8		
20	29923	CAP	1		52	51D-0608	BOLT	4		
21	29925	CAP	1		53	50D-0624	BOLT	6		
22	32670	SPACER	2		54	14A-06	LOCKWASHER	A.R.		
23	40296	BREATHER	1		55	50D-0720	BOLT	3		
24	42085	SPACER	2		56	50D-0724	BOLT	3		
25	12A-242	O RING	1		57	14A-07	LOCKWASHER	A.R.		
26	111H-08	PLUG - C/W ITEM 29	1		58	36C-07	LOCKNUT	3		
27	115D-06	PLUG	1		59	50D-0828	BOLT	6		
28	115D-08	PLUG	1		60	14A-08	LOCKWASHER	A.R.		
29	116A-08	O RING	1	REPAIR PART						
30	50A-0606	BOLT	6							
31	50A-0608	BOLT	14							
32	14A-06	LOCKWASHER	A.R.							
33	50A-0808	BOLT	1							
34	50A-0818	BOLT	4							
35	14A-08	LOCKWASHER	4							

CHAMPION ROAD MACHINERY



USE ONLY  CHAMPION ROAD MACHINERY APPROVED PARTS

EFFECTIVE SERIAL NUMBER(S) 16224, 16245 UP TO 16937
 NUMEROS DE SERIE EFFECTIFS
 NUMEROS DE SERIE EFECTIVOS
 U.S. 2021-2 UP TO 2418-2

700 SERIES
 SERIE 700

SECTION 4 PAGE 25
 SECCION 4 PAGINA 25

ISSUE No. 1 REVISION A
 N° D'ÉMISSION
 N° DE EDICION

PUMP GEARBOX ASSEMBLY - ALL WHEEL DRIVE

MARCH 1987

FOR LIST OF PARTS - TURN THIS PAGE POUR LA LISTE DES PIÈCES - VOIR AU VERSO PARA LA LISTA DE LAS PIEZAS - VER AL VERSO

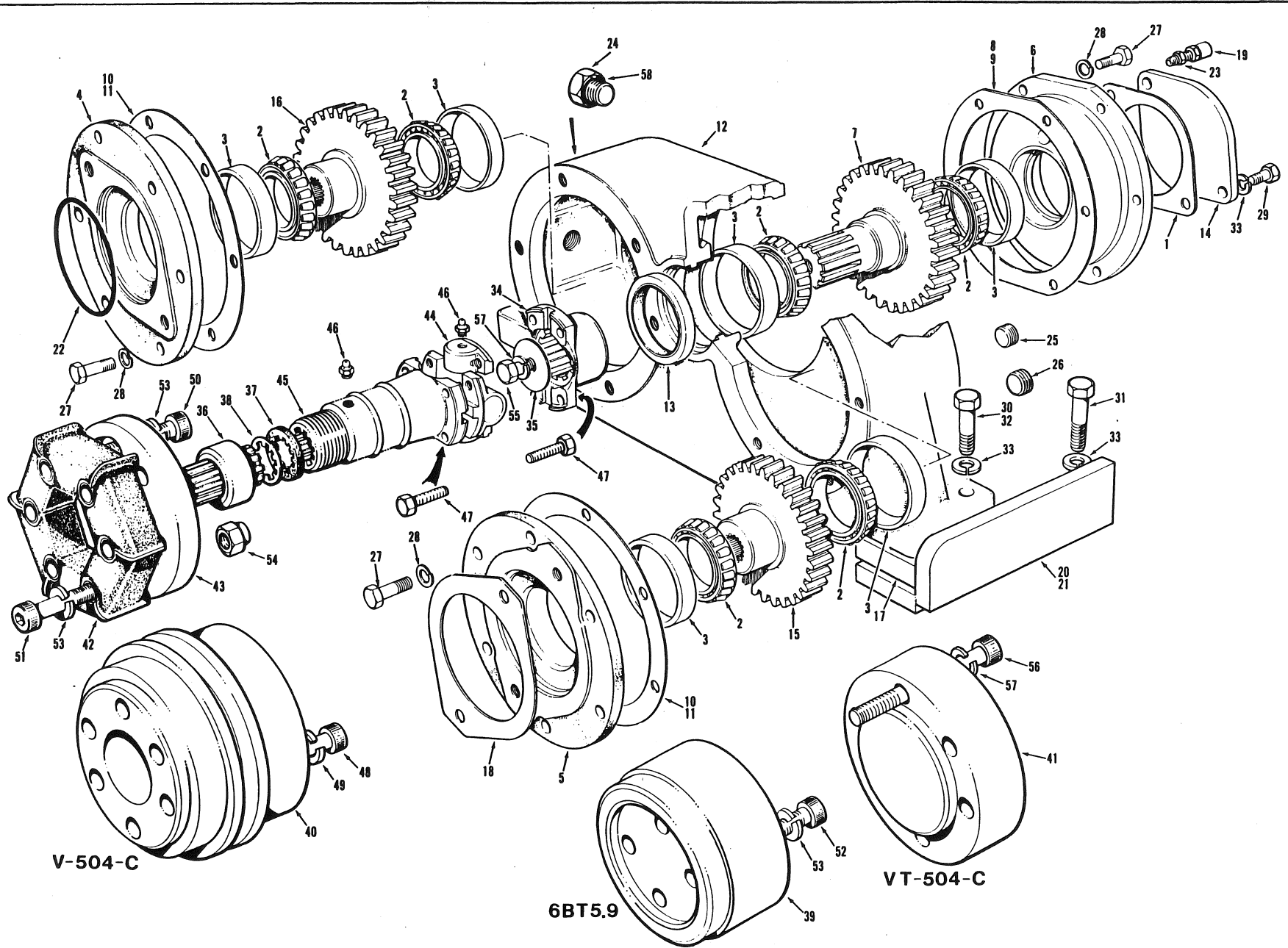
SECTION SECCION 4		PAGE PAGINA 26	ISSUE No. N° D'ÉMISSION N° DE EDICION	1 REVISION A	PUMP GEARBOX ASSEMBLY - ALL WHEEL DRIVE				MARCH 1987
No. N° N°	PART No. N° DE PIÉCE N° DE PIEZA	DESCRIPTION DESCRIPTION DESCRIPCION	No. REQ. N° REQ. N° REQ.	REMARKS REMARQUES NOTAS	No. N° N°	PART No. N° DE PIÉCE N° DE PIEZA	DESCRIPTION DESCRIPTION DESCRIPCION	No. REQ. N° REQ. N° REQ.	REMARKS REMARQUES NOTAS
<u>PUMP GEARBOX INSTALLATION</u>					<u>PUMP DRIVESHAFT INSTALLATION</u>				
	29908	PUMP GEARBOX ASSEMBLY - INCLUDES ITEMS 1 TO 16,19,23 TO 29 & 33				40684	PUMP DRIVESHAFT ASSEMBLY - INCLUDES ITEMS 38 TO 41 & 45 TO 47	1	
1	16899	GASKET	1		34	29579	SPLINED YOKE	1	
2	29158	CONE	6		35	29581	RETAINER WASHER	1	
3	29159	CUP	6		36	30688	FLANGED YOKE	1	
4	29560	CAP	1		37	*50204	CROSS & BEARING KIT	2	
5	29561	CAP	1		38	*33963	CAP	1	
6	29562	CAP	1		39	37164	FELT SEAL	1	
7	29563	GEAR - 42 TOOTH	1		40	37165	WASHER	1	
8	29570	SHIM - .005"	A.R.		41	40137	ADAPTER	1	VT-504-C
9	29571	SHIM - .007"	A.R.		42	40138	ADAPTER	1	V-504-C
10	29573	SHIM - .005"	A.R.		43	40307	ADAPTER	1	6BT5.9
11	29574	SHIM - .007"	A.R.		44	*45672	SLIP YOKE	1	
12	29576	CASE	1		45	*45673	TUBE	1	
13	29577	SEAL	1						
14	29580	COVER	1		46	29A-02	GREASE FITTING	3	
15	29910	GEAR - 34 TOOTH	1		47	51A-0406	BOLT	8	
16	29911	GEAR - 34 TOOTH	1		48	*51A-0506	BOLT	8	
17	30603	SPACER	2	V/VT-504-C	49	50A-0606	BOLT	6	
18	36917	GASKET	1		50	14A-06	LOCKWASHER	6	
19	40296	BREATHER	1		51	51D-0710	BOLT	4	6BT5.9
20	41413	MOUNTING PLATE - R.H.	1		52	14A-07	LOCKWASHER	4	
21	41414	MOUNTING PLATE - L.H.	1		53	50A-0806	BOLT	1	
22	12A-242	O RING	1		54	50A-0834	BOLT	6	VT-504-C
23	103F-0402	REDUCER	1		55	50D-0830	BOLT	6	V-504-C
24	111H-08	PLUG - C/W ITEM 57	1		56	14A-08	LOCKWASHER	A.R.	
25	115D-06	PLUG	1						
26	115D-08	PLUG	1		57	*116A-08	O RING	1	REPAIR PART
27	50A-0606	BOLT	18						
28	14A-06	LOCKWASHER	18						
29	50A-0806	BOLT	2						
30	50A-0812	BOLT	4	6BT5.9					
31	50A-0816	BOLT	4						
32	50A-0822	BOLT	4	V/VT-504-C					
33	14A-08	LOCKWASHER	10						

CHAMPION ROAD MACHINERY

EFFECTIVE SERIAL NUMBERS) 16685 UP TO 16938
 NUMEROS) DE SÉRIE EFFECTIFS)
 NUMEROS) DE SÉRIE EFFECTIVOS)

700 SERIES
 SERIE 700

SECTION 4 PAGE 25
 SECCION 4 PAGINA 25



ISSUE No.
 N° D'ÉMISSION
 N° DE EDICION 2 REVISION A

PUMP GEARBOX ASSEMBLY - ALL WHEEL DRIVE

MARCH 1987

FOR LIST OF PARTS - TURN THIS PAGE

POUR LA LISTE DES PIÈCES - VOIR AU VERSO

PARA LA LISTA DE LAS PIEZAS - VER AL VERSO

USE ONLY CHAMPION ROAD MACHINERY APPROVED PARTS

SECTION SECCION 4		PAGE PAGINA 26	ISSUE No. N° D'ÉMISSION N° DE EDICION	2 REVISION A	PUMP GEARBOX ASSEMBLY - ALL WHEEL DRIVE			MARCH 1987	
No. N° N°	PART No. N° DE PIÈCE N° DE PIEZA	DESCRIPTION DÉSCRIPTION DESCRIPCION	No. REQ. N° REQ. N° REQ.	REMARKS REMARQUES NOTAS	No. N° N°	PART No. N° DE PIECE N° DE PIEZA	DESCRIPTION DÉSCRIPTION DESCRIPCION	No. REQ. N° REQ. N° REQ.	REMARKS REMARQUES NOTAS
<u>PUMP GEARBOX INSTALLATION</u>					<u>PUMP DRIVESHAFT INSTALLATION</u>				
	29908	PUMP GEARBOX INSTALLATION - INCLUDES ITEMS 1 TO 16,19,23 TO 29 & 33				41378	PUMP DRIVESHAFT ASSEMBLY - INCLUDES ITEMS 36 TO 39 & 43 TO 45	1	
1	16899	GASKET	1		34	29579	SPLINED YOKE	1	
2	29158	CONE	6		35	29581	RETAINER WASHER	1	
3	29159	CUP	6		36	*33963	CAP	1	
4	29560	CAP	1		37	*33964	FELT SEAL	1	
5	29561	CAP	1		38	*33965	WASHER	1	
6	29562	CAP	1		39	41371	ADAPTER	1	6BT5.9
7	29563	GEAR	1		40	41372	ADAPTER	1	V-504-C
8	29570	SHIM - .005"	A.R.		41	41373	ADAPTER	1	VT-504-C
9	29571	SHIM - .007"	A.R.		42	41382	RUBBER COUPLING	1	
10	29573	SHIM - .005"	A.R.		43	50203	SHAFT ASSEMBLY	1	
11	29574	SHIM - .007"	A.R.		44	50204	CROSS & BEARING KIT	1	
12	29576	CASE	1		45	50405	TUBE ASSEMBLY	1	
13	29577	SEAL	1		46	29A-02	GREASE FITTING	2	
14	29580	COVER	1		47	51A-0506	BOLT	8	
15	29910	GEAR - 34 TOOTH	1		48	50D-0624	BOLT	6	V-504-C
16	29911	GEAR - 34 TOOTH	1		49	14A-06	LOCKWASHER	6	
17	30603	SPACER	2	V/VT-504-C	50	50D-0720	BOLT	3	
18	36917	GASKET	1		51	50D-0724	BOLT	3	
19	40296	BREATHER	1		52	51D-0710	BOLT	4	6BT5.9
20	41413	MOUNTING PLATE - R.H.	1		53	14A-07	LOCKWASHER	A.R.	
21	41414	MOUNTING PLATE - L.H.	1		54	*36N-07	NUT	A.R.	
22	12A-242	O RING	1		55	50A-0806	BOLT	1	
23	103F-0402	REDUCER	1		56	50D-0828	BOLT	6	VT-504-C
24	111H-08	PLUG - C/W ITEM 58	1		57	14A-08	LOCKWASHER	A.R.	
25	115D-06	PLUG	1		58	*116A-08	O RING	1	REPAIR PART
26	115D-08	PLUG	1						
27	50A-0606	BOLT	18						
28	14A-06	LOCKWASHER	18						
29	50A-0806	BOLT	2						
30	50A-0812	BOLT	4	6BT5.9					
31	50A-0816	BOLT	4						
32	50A-0822	BOLT	4	V/VT-504-C					
33	14A-08	LOCKWASHER	10						

EFFECTIVE SERIAL NUMBER(S)
 NUMEROS DE SERIE EFFECTIFS
 NUMEROS DE SERIE EFFECTIVOS

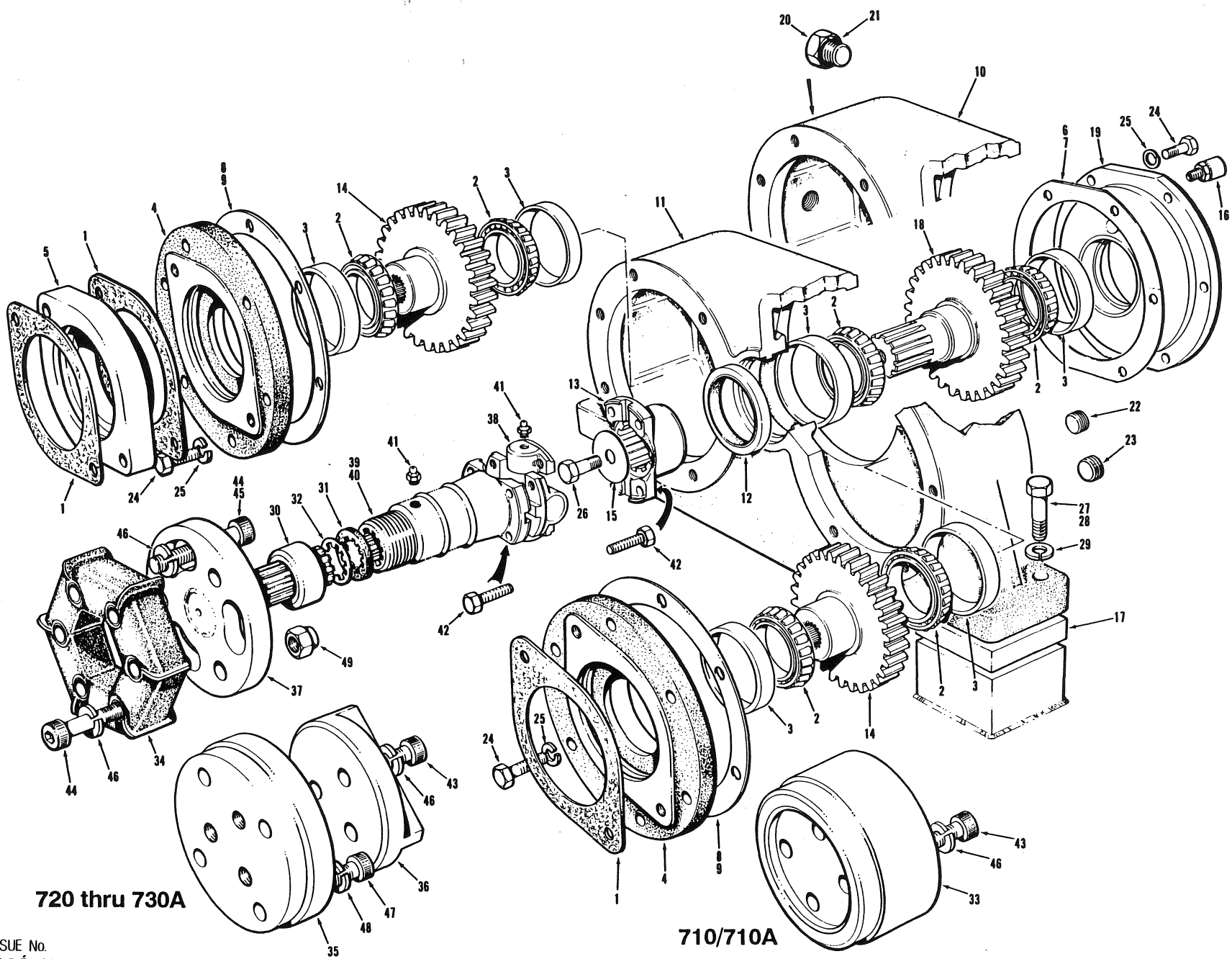
1 6939 TO 20791

700 SERIES
 SERIE 700

SECTION 4

PAGE 25

25



720 thru 730A

710/710A

PUMP GEARBOX ASSEMBLY - ALL WHEEL DRIVE

ISSUE No.
 N° D'ÉMISSION
 N° DE EDICION **3 REVISION D**

AUGUST 1990

FOR LIST OF PARTS - TURN THIS PAGE

POUR LA LISTE DES PIÈCES - VOIR AU VERSO

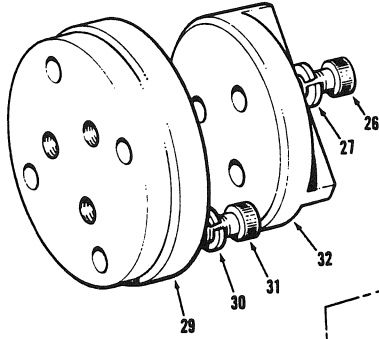
PARA LA LISTA DE LAS PIEZAS - VER AL VERSO

USE ONLY CHAMPION ROAD MACHINERY APPROVED PARTS

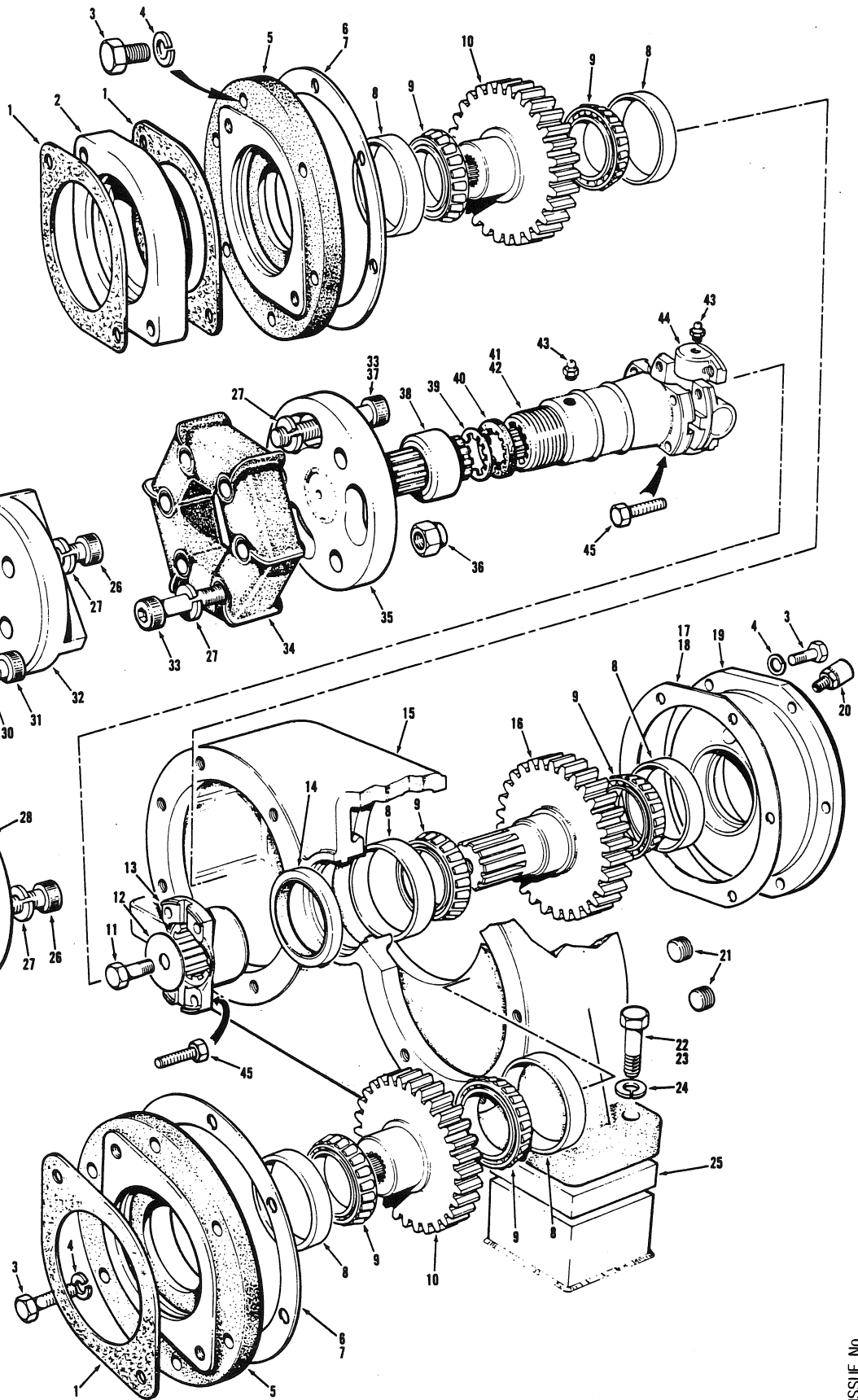
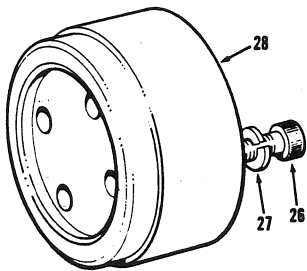
SECTION SECCION		PAGE PAGINA		ISSUE No. N° D'ÉMISSION N° DE EDICION		3 REVISION D		PUMP GEARBOX ASSEMBLY - ALL WHEEL DRIVE			AUGUST 1990	
No. N° N°	PART No. N° DE PIÈCE N° DE PIEZA	DESCRIPTION DESCRIPTION DESCRIPCION	No. REQ. N° REQ. N° REQ.	REMARKS REMARQUES NOTAS	No. N° N°	PART No. N° DE PIECE N° DE PIEZA	DESCRIPTION DESCRIPTION DESCRIPCION	No. REQ. N° REQ. N° REQ.	REMARKS REMARQUES NOTAS			
		PUMP GEARBOX INSTALLATION					PUMP DRIVESHAFT INSTALLATION					
	37567	PUMP GEARBOX ASSEMBLY - INCLUDES ITEMS 2 TO 4, 6 TO 9, 11 TO 15, 18, 19 & 22 TO 26	1	S/N 17070 TO 20791		41994	DRIVESHAFT ASSEMBLY - INCLUDES ITEMS 30 TO 32, 37 TO 39, 41 & Qty. 4 of 42	1	710/710A			
	41998	PUMP GEARBOX ASSEMBLY - INCLUDES ITEMS 2 TO 4, 6 TO 10, 12 TO 15, 18 19 & 22 TO 26	1	S/N 16939 TO 17059		41995	DRIVESHAFT ASSEMBLY - INCLUDES ITEMS 30 TO 32, 37, 38, 40 & Qty. 4 of 42	1	720 thru 730A			
1	16899	GASKET	3			30	33963	CAP	1			
2	29158	BEARING CONE	6			31	33964	SEAL	1			
3	21959	BEARING CUP	6			32	33965	WASHER	1			
4	29560	CAP - FRONT	2			33	41371	ADAPTER	1			
5	*29560-1	ADAPTER - PUMP	1				49729	ADAPTER	1			
6	29570	SHIM - .005"	4			34	41382	FLEXIBLE RUBBER COUPLING	1			
7	29571	SHIM - .007"	3				41986	ADAPTER	1			
8	29573	SHIM - .005"	4				35	51338	ADAPTER	1		
9	29574	SHIM - .007"	3					41987	ADAPTER	1		
10	29576	CASE C/W ITEM 20	1	S/N 16939 TO 17059			50203	SHAFT	1			
11	37552	CASE	1	S/N 17070 TO 20791		50204	CROSS & BEARING KIT	1				
12	29577	SEAL	1			50212	TUBE ASSEMBLY	1				
13	29579	YOKE	1			50213	TUBE ASSEMBLY	1				
14	29911	GEAR - 34 TOOTH	2			29A-02	GREASE FITTING	2				
15	29581	WASHER	1			51A-0506	BOLT	8				
16	40296	BREATHER	1			50D-0710	BOLT	4				
17	41999	SPACER	2	720 thru 730A		50D-0720	BOLT	3				
18	42153	GEAR - 42 TOOTH	1			50D-0722	BOLT	6				
19	42154	CAP - REAR	1			14A-07	LOCKWASHER	10				
20	111H-08	PLUG - C/W ITEM 21	1	S/N 16939 TO 17059		350D-12030	BOLT	4				
21	*116A-08	O RING	1			14A-08	LOCKWASHER	4				
22	115C-08	PLUG	2			36N-07	LOCKNUT	3				
23	115C-16	PLUG	1									
24	50A-0606	BOLT	18									
25	14A-06	LOCKWASHER	18									
26	50A-0808	BOLT	1									
27	50A-0812	BOLT	4	710/710A								
28	50A-0818	BOLT	4	720 thru 730A								
29	14A-08	LOCKWASHER	4									

CHAMPION ROAD MACHINERY

710/710A



720 thru 730A



PUMP GEARBOX ASSEMBLY - ALL WHEEL DRIVE

ISSUE No.
N° D'ÉMISSION
N° DE EDICION

EFFECTIVE SERIAL NUMBER(S)
NUMERO(S) DE SÉRIE EFFECTIFS)
NUMERO(S) DE SERIE EFECTIVO(S)

20811 & UP

700 SERIES
SERIE 700

SECTION
SECCION

4

PAGE
PAGINA

25

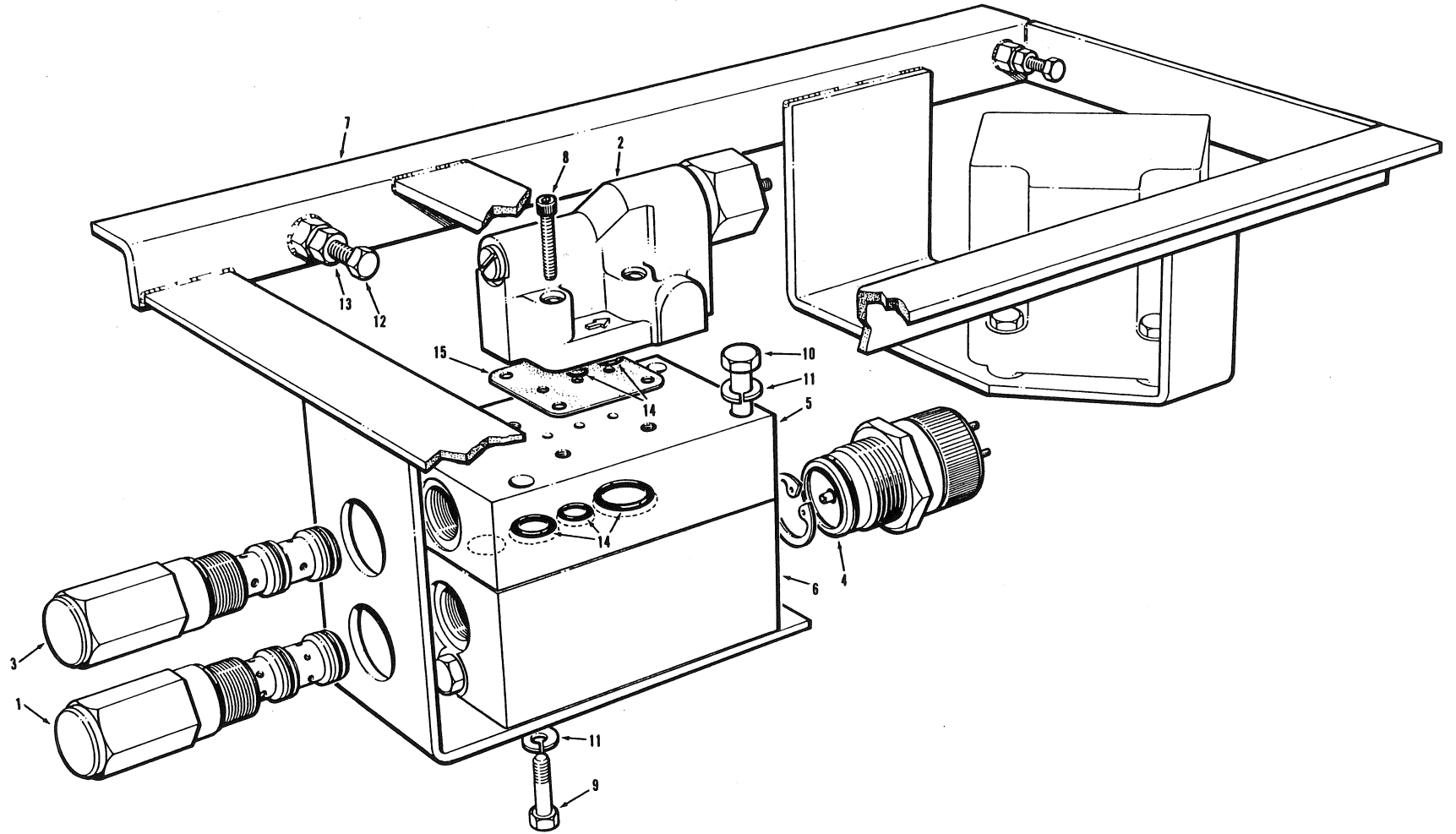
SECTION SECCION		PAGE PAGINA		ISSUE No. N° D'ÉMISSION N° DE EDICION		PUMP GEARBOX ASSEMBLY - ALL WHEEL DRIVE				AUGUST 1990	
No. N° N°	PART No. N° DE PIÈCE N° DE PIEZA	DESCRIPTION DESCRIPTION DESCRIPCION	No. REQ. N° REQ. N° REQ.	REMARKS REMARQUES NOTAS	No. N° N°	PART No. N° DE PIÈCE N° DE PIEZA	DESCRIPTION DESCRIPTION DESCRIPCION	No. REQ. N° REQ. N° REQ.	REMARKS REMARQUES NOTAS		
	37567	PUMP GEARBOX INSTALLATION					PUMP DRIVESHAFT INSTALLATION				
		PUMP GEARBOX ASSEMBLY	1			41994	DRIVESHAFT ASSEMBLY	1	710/710A		
		- INCLUDES ITEMS 3 TO 19					- INCLUDES ITEMS 35, 38 TO 41, 43 & 44				
1	16899	GASKET	3			41995	DRIVESHAFT ASSEMBLY	1	720 thru 730A		
2	*29560-1	ADAPTER	1				- INCLUDES ITEMS 35, 38 TO 40, 42 TO 44				
3	50A-0608	BOLT	18		26	50D-0710	BOLT	4	710/710A		
4	14A-06	LOCKWASHER	18					3	720 thru 730A		
5	29560	CAP - FRONT	2								
6	29573	SHIM - .005"	4		27	14A-07	LOCKWASHER	10	710/710A		
7	29574	SHIM - .007"	3					9	720 thru 730A		
8	29159	BEARING CUP	6								
9	29158	BEARING CONE	6		28	49729	ADAPTER	1	710/710A		
10	29911	GEAR - 34 TOOTH	2		29	41986	ADAPTER	1			
11	50A-0808	BOLT	1		30	14A-08	LOCKWASHER	4	} 720 thru 730A		
12	29581	WASHER	1		31	350D-12030	BOLT	4			
13	29579	YOKE	1		32	41987	ADPATER	1			
14	29577	SEAL	1		33	*50D-0722	BOLT	6	710/710A		
15	37552	CASE	1					3	720 thru 730A		
16	42153	GEAR - 42 TOOTH	1								
17	29570	SHIM - .005"	4		34	41382	FLEXIBLE RUBBER COUPLING	1			
18	29571	SHIM - .007"	3		35	50203	SHAFT	1			
19	42154	CAP - REAR	1		36	36N-07	LOCKNUT	3			
20	40296	BREATHER	1		37	50D-0720	BOLT	3	720 thru 730A		
21	115C-08	PLUG	2		38	33963	CAP	1			
22	50A-0812	BOLT	4	710/710A	39	33965	WASHER	1			
23	50A-0818	BOLT	4	720 thru 730A	40	33964	SEAL	1			
24	14A-08	LOCKWASHER	4		41	50212	TUBE ASSEMBLY	1	710/710A		
25	41999	SPACER	2	720 thru 730A	42	50213	TUBE ASSEMBLY	1	720 thru 730A		
					43	29A-02	GREASE FITTING	2			
					44	50204	CROSS & BEARING KIT	1			
					45	51A-0506	BOLT	8			

EFFECTIVE SERIAL NUMBERS)
NUMEROS) DE SERIE EFFECTIF(S)
NUMEROS) DE SERIE EFFECTIVOS)

16224 & 16245 to 16859

700 SERIES
SERIE 700

SECTION 4
SECCION 4
PAGE 27
PAGINA 27



ISSUE No.
N° D'ÉMISSION
N° DE EDICION

1 REVISION B

MOTOR CONTROL VALVE - ALL WHEEL DRIVE

APRIL 1991

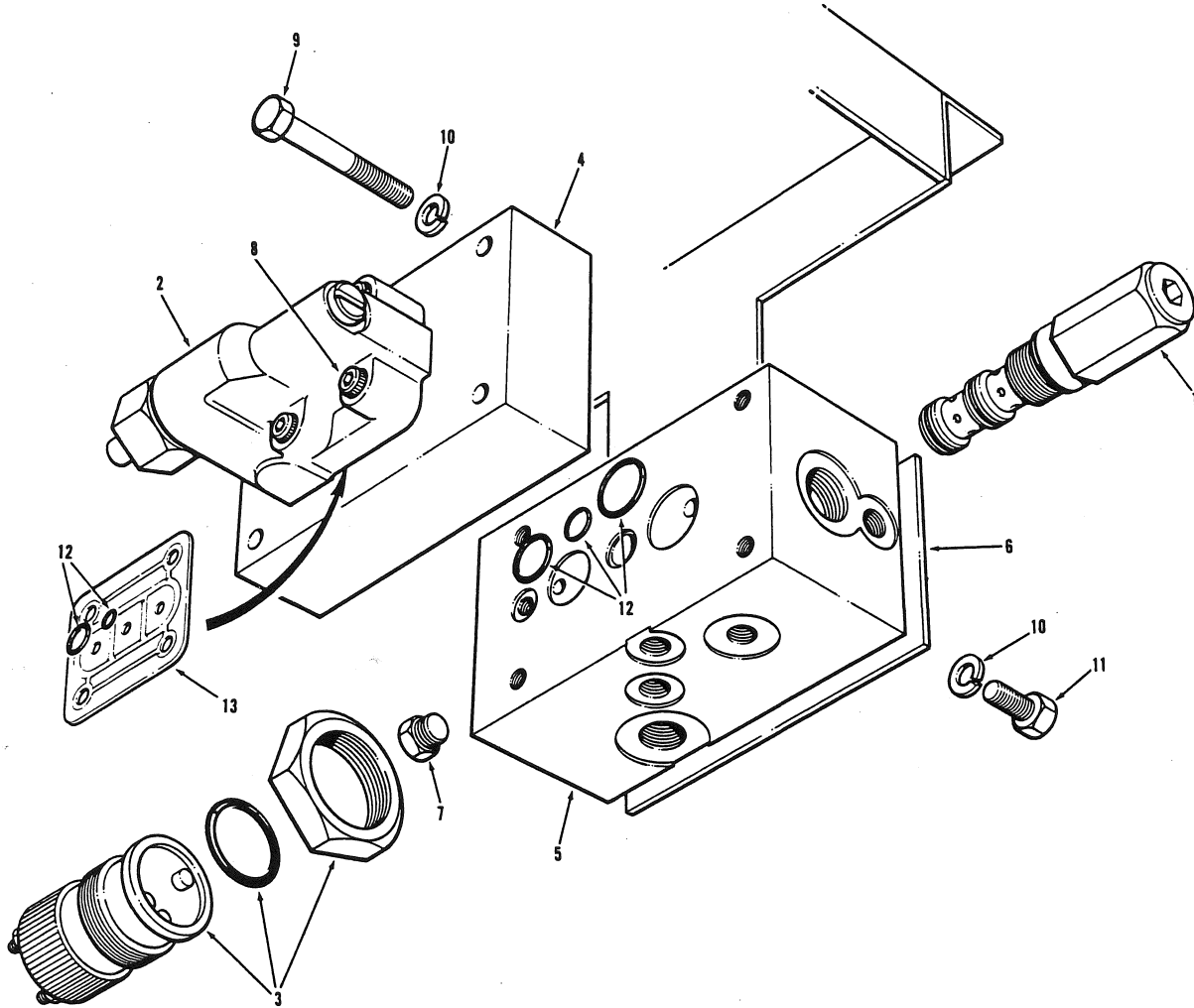
FOR LIST OF PARTS - TURN THIS PAGE

POUR LA LISTE DES PIÈCES - VOIR AU VERSO

PARA LA LISTA DE LAS PIEZAS - VER AL VERSO

USE ONLY CHAMPION ROAD MACHINERY APPROVED PARTS

No. N°	PART No. N° DE PIÈCE N° DE PIEZA	DESCRIPTION DÉSCRIPTION DESCRIPCION	No. REQ. N° REQ. N° REQ.	REMARKS REMARQUES NOTAS	No. N°	PART No. N° DE PIÈCE N° DE PIEZA	DESCRIPTION DÉSCRIPTION DESCRIPCION	No. REQ. N° REQ. N° REQ.	REMARKS REMARQUES NOTAS
	30696	MOTOR CONTROL VALVE ASSEMBLY - INCLUDES ITEMS 1 to 6, 8, 10, 11, 14 & 15	1						
	*59592	SEAL KIT FOR 30696 - MOTOR CONTROL VALVE - INCLUDES ITEMS 14 & 15	1 per						
1	30806	PRESSURE REDUCING VALVE	1						
2	30807	PRESSURE COMPENSATOR VALVE	1						
3	30808	PRESSURE REDUCING VALVE - 5000 psi	1						
4	30809	FORCE MOTOR	1						
5		COMPENSATOR BLOCK } NOT AVAILABLE	1						
6		FORCE MOTOR BLOCK } SEPARATELY	1						
7	30742	MOUNTING BRACKET	1						
8	51D-0410	BOLT	4						
9	50A-0508	BOLT	4						
10	50A-0518	BOLT	4						
11	14A-05	LOCKWASHER	8						
12	50A-0610	BOLT	2						
13	30A-06	NUT	2						
14		O-RING	5						
15		GASKET - STEEL	1						



ISSUE No.
N° D'ÉMISSION
N° DE EDICION

2 REVISION A

FOR LIST OF PARTS - TURN THIS PAGE

POUR LA LISTE DES PIÈCES - VOIR AU VERSO

PARA LA LISTA DE LAS PIEZAS - VER AL VERSO

MOTOR CONTROL VALVE - ALL WHEEL DRIVE

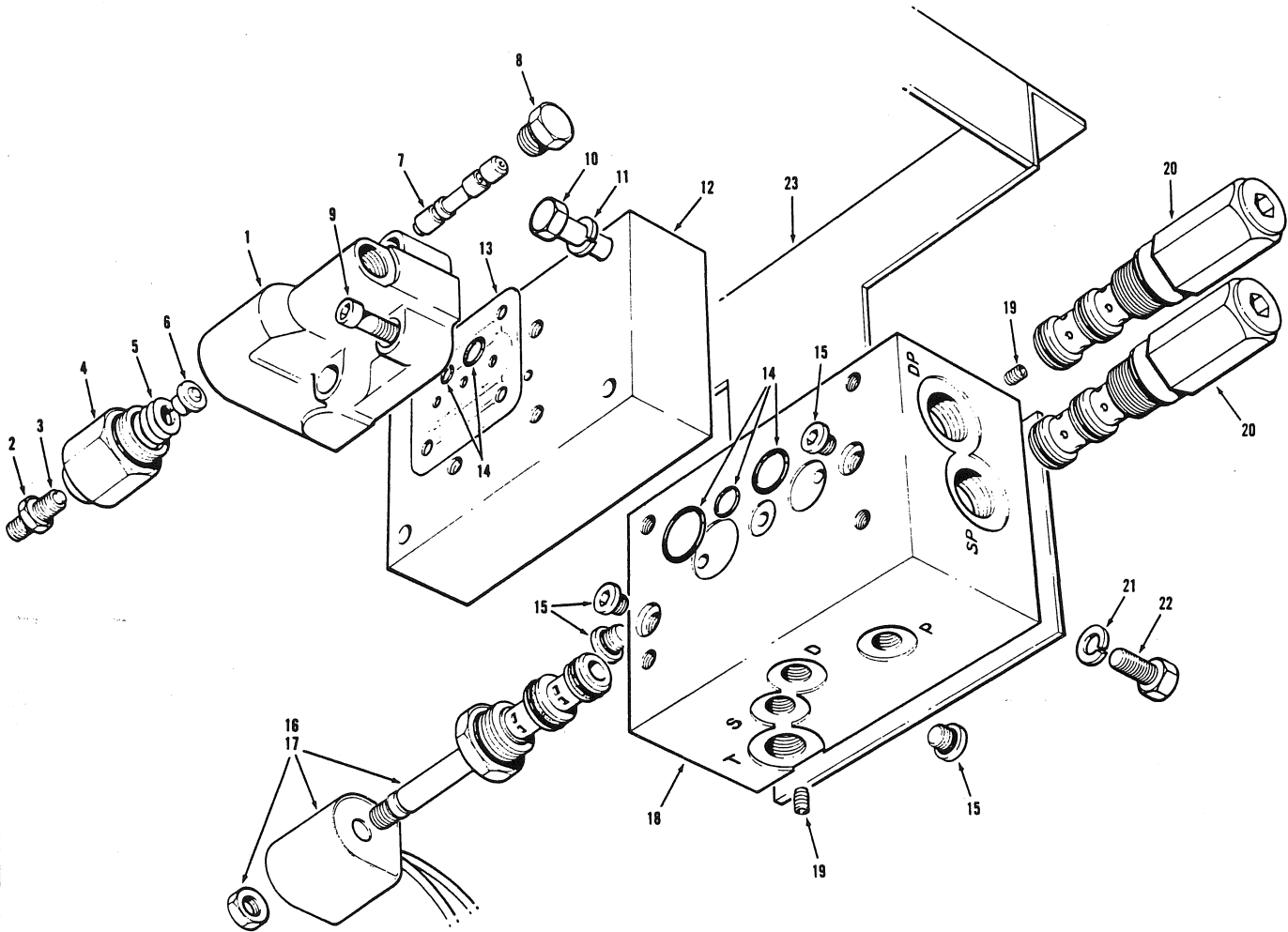
APRIL 1991

EFFECTIVE SERIAL NUMBER(S) 16860 & UP
 NUMERO(S) DE SÉRIE EFFECTIF(S)
 NUMERO(S) DE SERIE EFECTIVO(S)

700 SERIES
 SERIE 700

SECTION 4 PAGE 27
 SECCION 4 PAGINA 27

SECTION SECCION		PAGE PAGINA		ISSUE No. N° D'ÉMISSION N° DE EDICION		2 REVISION A		MOTOR CONTROL VALVE - ALL WHEEL DRIVE		APRIL 1991	
No. N° N°	PART No. N° DE PIÈCE N° DE PIEZA	DESCRIPTION DESCRIPTION DESCRIPCION	No. REQ. N° REQ. N° REQ.	REMARKS REMARQUES NOTAS	No. N° N°	PART No. N° DE PIÈCE N° DE PIEZA	DESCRIPTION DESCRIPTION DESCRIPCION	No. REQ. N° REQ. N° REQ.	REMARKS REMARQUES NOTAS		
	42187	MOTOR CONTROL VALVE ASSEMBLY - INCLUDES ITEMS 1 to 5, 7 to 9, 12 & 13	1								
	*59592	SEAL KIT FOR 42187 - MOTOR CONTROL VALVE - INCLUDES ITEMS 12 & 13	1 per								
1	30806	PRESSURE REDUCING VALVE	1								
2	30807	PRESSURE COMPENSATOR VALVE	1								
3	30809	FORCE MOTOR	1								
4		COMPENSATOR BLOCK } NOT AVAILABLE	1								
5		FORCE MOTOR BLOCK } SEPARATELY	1								
6	42189	MOUNTING BRACKET	1								
7	44328	PLUG	1								
8	51D-0410	BOLT	4								
9	50A-0520	BOLT	4								
10	14A-05	LOCKWASHER	8								
11	50A-0508	BOLT	4								
12		O-RING	5								
13		GASKET - STEEL	1								

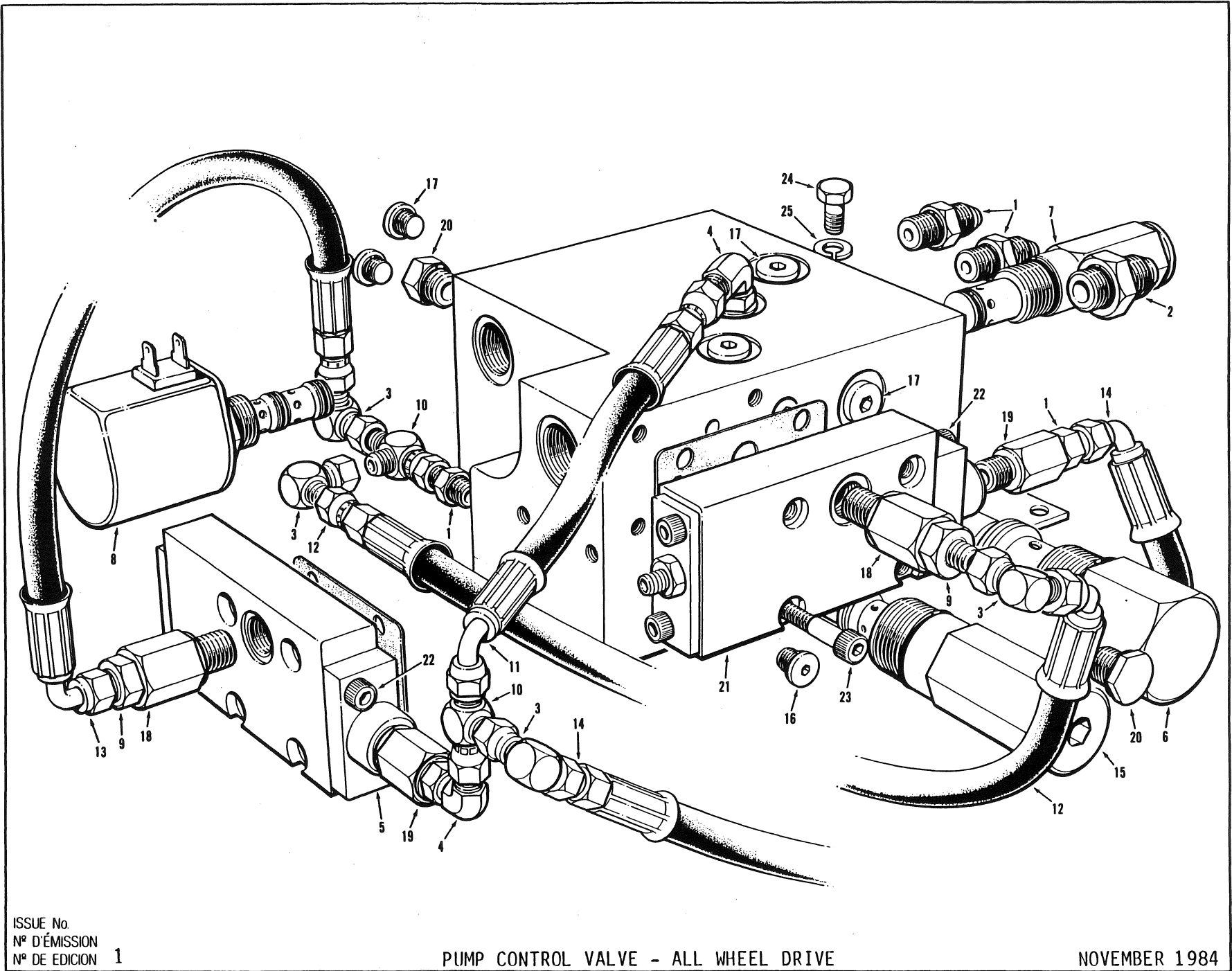


EFFECTIVE SERIAL NUMBER(S) 21572 & UP
 NUMERO(S) DE SÉRIE EFFECTIF(S)
 NUMERO(S) DE SERIE EFECTIVO(S)

700 SERIES
 SERIE 700

SECTION 4 PAGE 27
 SECCION 4 PAGINA 27

SECTION SECCION		PAGE PAGINA		ISSUE No. N° D'ÉMISSION N° DE EDICION		MOTOR CONTROL VALVE - ALL WHEEL DRIVE			SEPTEMBER 1991	
No. N° N°	PART No. N° DE PIÈCE N° DE PIEZA	DESCRIPTION DESCRIPTION DESCRIPCION	No. REQ N° REQ. N° REQ.	REMARKS REMARQUES NOTAS	No. N° N°	PART No. N° DE PIECE N° DE PIEZA	DESCRIPTION DESCRIPTION DESCRIPCION	No. REQ N° REQ. N° REQ.	REMARKS REMARQUES NOTAS	
	*59645	MOTOR CONTROL VALVE ASSEMBLY - 12 VOLT - INCLUDES ITEMS 1 to 16 & 18 to 20	1							
	*62092	MOTOR CONTROL VALVE ASSEMBLY - 24 VOLT - INCLUDES ITEMS 1 to 15 & 17 to 20	1							
	59592	SEAL KIT FOR 59645 & 62092 - MOTOR CONTROL VALVES - INCLUDES ITEMS 13 & 14	1 per							
1	30807	MOTOR COMPENSATOR VALVE - C/W ITEMS 2 to 8	1							
2		NUT	1							
3		ADJUSTING SCREW	1							
4		COVER	1							
5		SPRING	1							
6		SPRING RETAINER	1							
7		SPOOL	1							
8		PLUG	1							
9	51D-0410	BOLT	4							
10	50A-0520	BOLT	4							
11	14A-05	LOCKWASHER	4							
12		UPPER MANIFOLD BLOCK	1							
13		GASKET - STEEL	1							
14		O-RING	5							
15		PLUG	4							
16	*63032	SOLENOID VALVE - 12 VOLT	1							
17	*62090	SOLENOID VALVE - 24 VOLT	1							
18		LOWER MANIFOLD BLOCK	1							
19		ORIFICE RESTRICTOR	2							
20	30806	PRESSURE REDUCING VALVE	2							
21	14A-05	LOCKWASHER	4							
22	50A-0508	BOLT	4							
23	42189	MOUNTING BRACKET	1							



USE ONLY  CHAMPION APPROVED PARTS

EFFECTIVE SERIAL NUMBERS) 16224,16245 & UP
NUMERO(S) DE SÉRIE EFFECTIF(S)
NUMERO(S) DE SERIE EFFECTIVOS)
U.S. 2021-2 & UP

700 SERIES
SERIE 700

SECTION 4 PAGE 29
SECCION 4 PAGINA 29

ISSUE No. 1
N° D'ÉMISSION 1
N° DE EDICION 1

PUMP CONTROL VALVE - ALL WHEEL DRIVE

NOVEMBER 1984

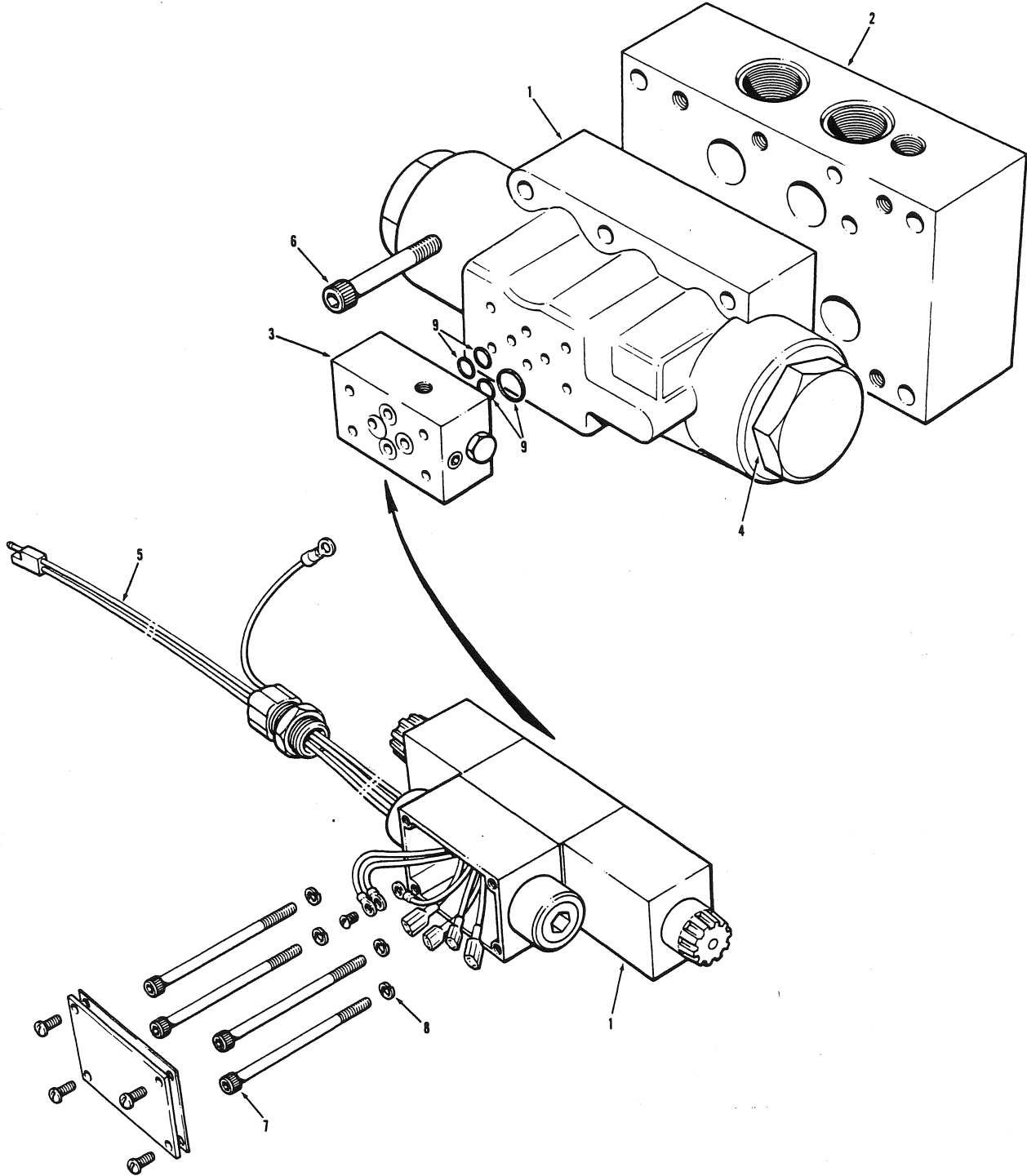
FOR LIST OF PARTS - TURN THIS PAGE

POUR LA LISTE DES PIÈCES - VOIR AU VERSO

PARA LA LISTA DE LAS PIEZAS - VER AL VERSO

SECTION 4 PAGE 30 ISSUE No. 1 PUMP CONTROL VALVE - ALL WHEEL DRIVE NOVEMBER 1984
 SECCION PAGINA Nº D'ÉMISSION Nº DE EDICION

No. Nº	PART No. Nº DE PIÉCE Nº DE PIEZA	DESCRIPTION DÉSCRIPTION DESCRIPCION	No. REQ. Nº REQ.	REMARKS REMARQUES NOTAS	No. Nº	PART No. Nº DE PIÉCE Nº DE PIEZA	DESCRIPTION DÉSCRIPTION DESCRIPCION	No. REQ. Nº REQ.	REMARKS REMARQUES NOTAS
	30659	PUMP CONTROL VALVE ASSEMBLY - INCLUDES ITEMS 1 TO 25	1						
1	30655	ADAPTER	4						
2	30656	ADAPTER	1						
3	30693	CONNECTOR	4						
4	30708	CONNECTOR	2						
5	30794	PRESSURE OVERRIDE VALVE	1						
6	30795	SHUTTLE CARTRIDGE VALVE	1						
7	30796	RELIEF VALVE	1						
8	30797	SOLENOID VALVE	3						
9	30799	ADAPTER	2						
10	30800	TEE	2						
11	30801	HOSE	1						
12	30802	HOSE	1						
13	30803	HOSE	1						
14	30804	HOSE	1						
15	30806	PRESSURE REDUCING VALVE	1						
16	30891	PLUG	3						
17	30892	PLUG	8						
18	30893	ADAPTER	2						
19	30894	ADAPTER	2						
20	30895	PLUG	2						
21	30988	PRESSURE OVERRIDE VALVE	1						
22	51D-0406	CAPSCREW	4						
23	51D-0412	CAPSCREW	8						
24	50A-0508	BOLT	3						
25	14A-08	LOCKWASHER	3						
	30805	SEAL KIT	A.R.						



DECEMBER 1991

SELECTOR VALVE ASSEMBLY - ALL WHEEL DRIVE

2 REVISION A

FOR LIST OF PARTS - TURN THIS PAGE POUR LA LISTE DES PIÈCES - VOIR AU VERSO PARA LA LISTA DE LAS PIEZAS - VER AL VERSO

ISSUE No.
N° D'ÉMISSION
N° DE EDICION

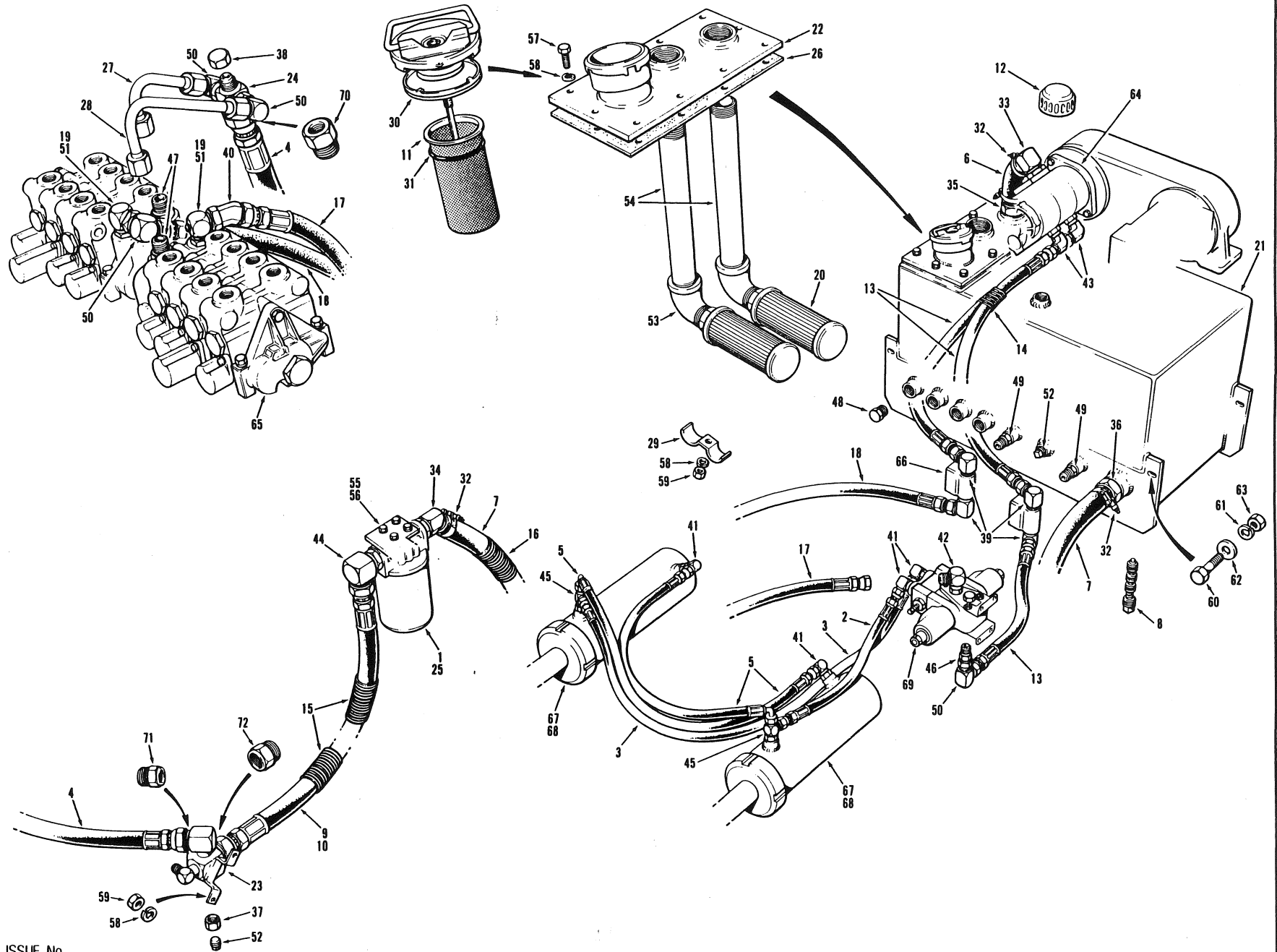
EFFECTIVE SERIAL NUMBER(S) 16860 & UP
NUMERO(S) DE SÉRIE EFFECTIF(S)
NUMERO(S) DE SERIE EFECTIVO(S)

700 SERIES
SERIE 700

SECTION 4 PAGE 29
SECCION 4 PAGINA 29

SECTION SECCION		PAGE PAGINA		ISSUE No. N° D'ÉMISSION N° DE EDICION		SELECTOR VALVE ASSEMBLY - ALL WHEEL DRIVE			DECEMBER 1991	
No. N° N°	PART No. N° DE PIÉCE N° DE PIEZA	DESCRIPTION DÉSCRIPTION DESCRIPCION	No. REQ. N° REQ. N° REQ.	REMARKS REMARQUES NOTAS	No. N° N°	PART No. N° DE PIÉCE N° DE PIEZA	DESCRIPTION DÉSCRIPTION DESCRIPCION	No. REQ. N° REQ. N° REQ.	REMARKS REMARQUES NOTAS	
	42188	SELECTOR VALVE ASSEMBLY - INCLUDES ITEMS 1 TO 9	1							
1	*44585	SOLENOID OPERATED SELECTOR VALVE	1							
2	44035	BASE PLATE ASSEMBLY	1							
3	*82138	SELECTOR VALVE MANIFOLD ASSEMBLY	1							
4	*118A-24	O-RING	2							
5	44042	WIRING HARNESS	1							
6	51D-0820	BOLT	6							
7	50D-1028	BOLT	4							
8	14F-10	LOCKWASHER	4							
9	44038	O-RING KIT	1							

CHAMPION ROAD MACHINERY



ISSUE No.
 N° D'ÉMISSION
 N° DE EDICION 1 REVISION A

PRIMARY HYDRAULIC CIRCUIT - ALL WHEEL DRIVE

JANUARY 1986

FOR LIST OF PARTS - TURN THIS PAGE

POUR LA LISTE DES PIÈCES - VOIR AU VERSO

PARA LA LISTA DE LAS PIEZAS - VER AL VERSO

EFFECTIVE SERIAL NUMBERS) 16342 & UP
 NUMEROS) DE SERIE EFFECTIFS)
 NUMEROS) DE SERIE EFFECTIVOS)
 U.S. 2110-2 & UP

700 SERIES
 SERIE 700

SECTION 4 PAGE 31
 SECCION 4 PAGINA 31

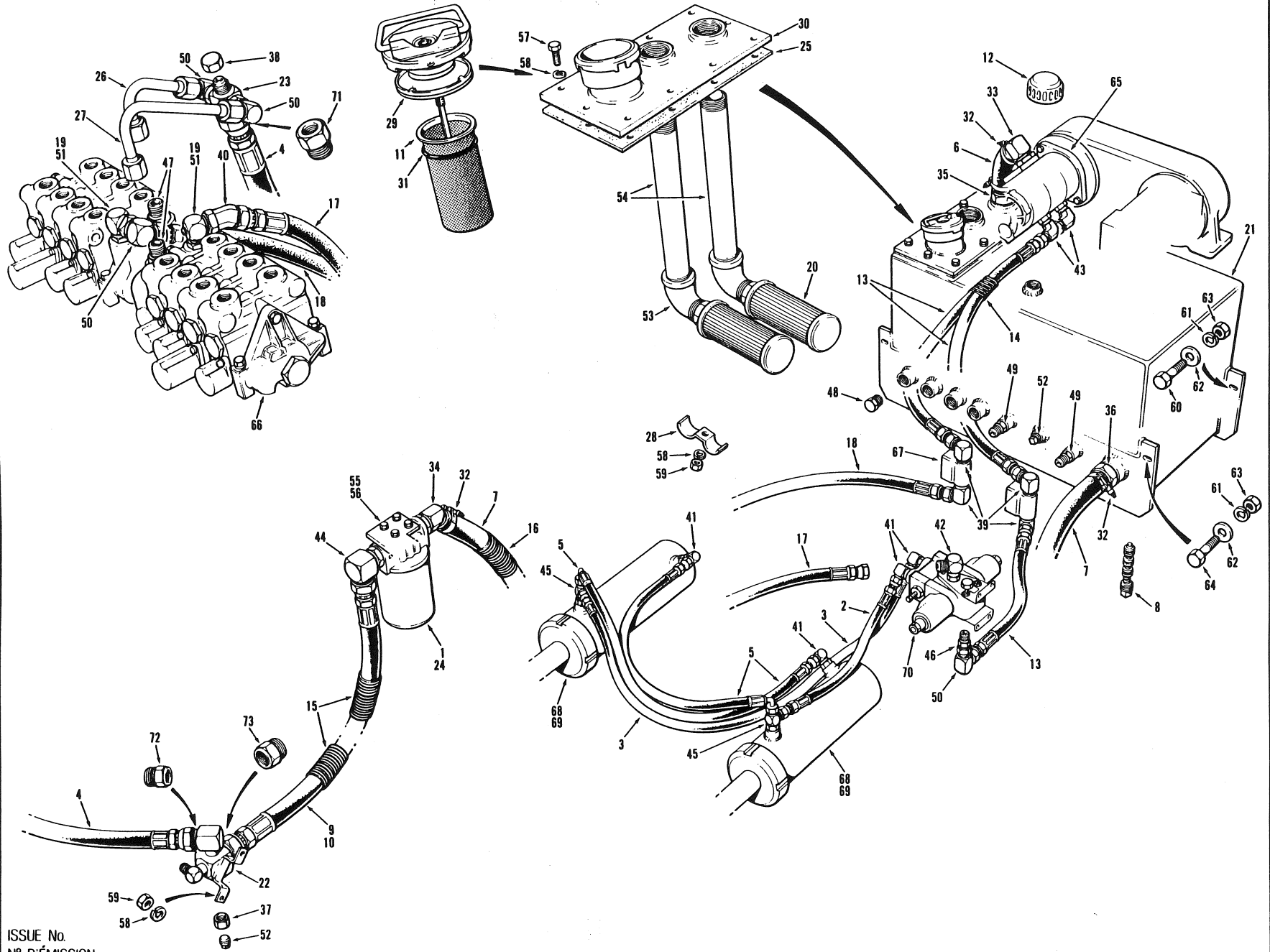
USE ONLY CHAMPION ROAD MACHINERY APPROVED PARTS

SECTION SECCION 4		PAGE PAGINA 32	ISSUE No. N° D'ÉMISSION N° DE EDICION	1 REVISION A	PRIMARY HYDRAULIC CIRCUIT - ALL WHEEL DRIVE				JANUARY 1986
No. N° N°	PART No. N° DE PIÈCE N° DE PIEZA	DESCRIPTION DESCRIPTION DESCRIPCION	No. REQ. N° REQ. N° REQ.	REMARKS REMARQUES NOTAS	No. N° N°	PART No. N° DE PIECE N° DE PIEZA	DESCRIPTION DESCRIPTION DESCRIPCION	No. REQ. N° REQ. N° REQ.	REMARKS REMARQUES NOTAS
1	13028	FILTER ELEMENT - INCLUDES GASKET	1		41	111B-0808	CONNECTOR	4	710A, 720A & 730A
2	9313 X 28	HOSE	1	710A, 720A & 730A	42	111B-1208	CONNECTOR	1	
3	9313 X 53.5	HOSE	1			43	111B-1212	CONNECTOR	2
4	14379 X 90	HOSE	1		44	111B-2420	CONNECTOR	1	
5	14382 X 36	HOSE	2	710A, 720A & 730A	45	111D-0808	TEE	2	710A, 720A & 730A
6	17156 X 8.5	HOSE	1		46	111E-1208	CONNECTOR	1	
7	17156 X 67*	HOSE	1		47	111E-1212	CONNECTOR	2	
8	27449	MAGNETIC PLUG	1		48	111H-12	PLUG	A.R.	
9	27739 X 60	HOSE	1	710, 720 & 730	49	111P-1010*	ADAPTER	2	
10	27739 X 109	HOSE	1	710A, 720A & 730A	50	112B-12*	CONNECTOR	A.R.	
11	28008	STRAINER - INCLUDES ITEM 31	1		51	115D-02	PLUG	2	
12	28081	AIR BREATHER	1		52	115E-08	PLUG	A.R.	
13	28485 X 28	HOSE	2	710, 720 & 730	53	115J-2424	ELBOW	2	
			3	710A, 720A & 730A	54	115Z-2420	NIPPLE	2	
14	41646 X 6*	HOSE PROTECTOR	A.R.		55	50A-0508	BOLT	4	
15	41648 X 6*	HOSE PROTECTOR	A.R.		56	14A-05	LOCKWASHER	4	
16	41715 X 6*	HOSE PROTECTOR	A.R.		57	50A-0608	BOLT	10	
17	28485 X 188	HOSE	1	710A, 720A & 730A	58	14A-06	LOCKWASHER	A.R.	
			1		59	30A-06	NUT	A.R.	
			1		60	50A-1016	BOLT	4	
			1		61	14A-10	LOCKWASHER	4	
			2	710, 720 & 730	62	14C-10	FLATWASHER	4	
18	28485 X 212	HOSE	1	710A, 720A & 730A	63	30A-10	NUT	4	
19	32589	CONNECTOR - INCLUDES ITEM 51	2		64		HYDRAULIC PUMP ASSEMBLY	REF.	SECTION 4 PAGES 3/4
20	32668	STRAINER	2		65		MANIFOLD VALVE ASSEMBLY	REF.	SECTION 4 PAGES 7/8
21	40219	HYDRAULIC OIL TANK	1		66		RELIEF VALVE ASSEMBLY	REF.	SECTION 4 PAGES 11/12
22	40236	ACCESS PLATE	1		67		ARTICULATION CYLINDER - MODEL 710A	REF.	SECTION 4 PAGES 13/14
23	40288	CROSS	1		68		ARTICULATION CYLINDER - MODEL 720A & 730A	REF.	SECTION 4 PAGES 17/18
24	40290	CROSS	1		69		SOLENOID VALVE ASSEMBLY	REF.	SECTION 4 PAGES 37/38
25	40320	OIL FILTER - INCLUDES ITEM 1	1						
26	40425	GASKET	1						
27	40505	TUBE	1						
28	40406	TUBE	1						
29	40975	CLAMP	A.R.		70	110AH-2012	ADAPTER	A.R.	
30	42167*	FILLER CAP - INCLUDES DIPSTICK	1		71	110AH-2016	ADAPTER	A.R.	
31	12A-228	O RING	1	AS REQ'D	72	110AH-2420	ADAPTER	A.R.	
32	22A-200	CLAMP	4						
33	108A-2420	CONNECTOR	1						
34	108B-2420	CONNECTOR	2						
35	108C-2420*	CONNECTOR	1						
36	108C-2424	CONNECTOR	1						
37	110E-08	CAP	1						
38	110E-12	CAP	1						
39	111B-1210*	CONNECTOR	4						
40	112A-12*	CONNECTOR	1						

EFFECTIVE SERIAL NUMBER(S) 16860 & UP
 NUMERO(S) DE SERIE EFFECTIF(S)
 NUMERO(S) DE SERIE EFFETIVOS
 U.S. 2432-2 & UP

700 SERIES
 SERIE 700

SECTION 4 PAGE 31
 SECCION 4 PAGINA 31



ISSUE No.
 N° D'ÉMISSION
 N° DE EDICION 2

PRIMARY HYDRAULIC CIRCUIT - ALL WHEEL DRIVE

APRIL 1986

FOR LIST OF PARTS - TURN THIS PAGE

POUR LA LISTE DES PIÈCES - VOIR AU VERSO

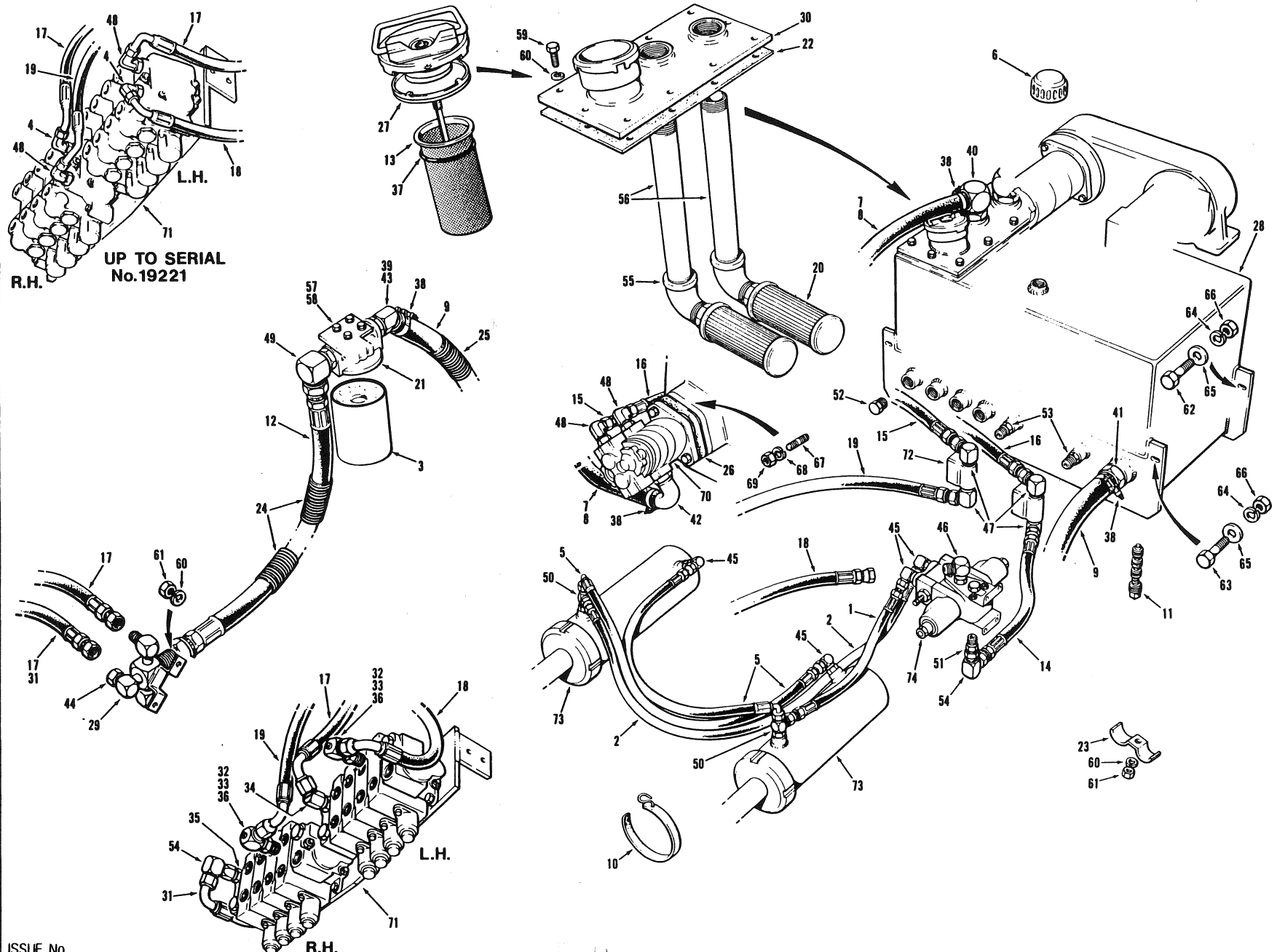
PARA LA LISTA DE LAS PIEZAS - VER AL VERSO

USE ONLY CHAMPION ROAD MACHINERY APPROVED PARTS

SECTION SECCION 4		PAGE PAGINA 32		ISSUE No. N° D'ÉMISSION 2 N° DE EDICION		PRIMARY HYDRAULIC CIRCUIT - ALL WHEEL DRIVE				APRIL 1986	
No. N° N°	PART No. N° DE PIÈCE N° DE PIEZA	DESCRIPTION DESCRIPTION DESCRIPCION	No. REQ. N° REQ. N° REQ.	REMARKS REMARQUES NOTAS	No. N° N°	PART No. N° DE PIECE N° DE PIEZA	DESCRIPTION DESCRIPTION DESCRIPCION	No. REQ. N° REQ. N° REQ.	REMARKS REMARQUES NOTAS		
1	13028	FILTER ELEMENT - INCLUDES GASKET	1		41	111B-0808	CONNECTOR	4	710A, 720A & 730A		
2	9313 X 28	HOSE	1	710A, 720A & 730A	42	111B-1208	CONNECTOR	1			
3	9313 X 53.5	HOSE	1			43	111B-1212	CONNECTOR	2		
4	14379 X 90	HOSE	1		44	111B-2420	CONNECTOR	1			
5	14382 X 36	HOSE	2	710A, 720A & 730A	45	111D-0808	TEE	2	710A, 720A & 730A		
6	17156 X 8.5	HOSE	1		46	111E-1208	CONNECTOR	1			
7	17156 X 67	HOSE	1		47	111E-1212	CONNECTOR	2			
8	27449	MAGNETIC PLUG	1		48	111H-12	PLUG	A.R.			
9	27739 X 60	HOSE	1	710, 720 & 730	49	111P-1010	ADAPTER	2			
10	27739 X 109	HOSE	1	710A, 720A & 730A	50	112B-12	CONNECTOR	A.R.			
11	28008	STRAINER - INCLUDES ITEM 31	1		51	115D-02	PLUG	2			
12	*16894	AIR BREATHER	1		52	115E-08	PLUG	A.R.			
13	28485 X 28	HOSE	2	710, 720 & 730	53	115J-2424	ELBOW	2			
			3	710A, 720A & 730A	54	115Z-2420	NIPPLE	2			
14	41646 X 6	HOSE PROTECTOR	A.R.		55	50A-0508	BOLT	4			
15	41648 X 6	HOSE PROTECTOR	A.R.		56	14A-05	LOCKWASHER	4			
16	41715 X 6	HOSE PROTECTOR	A.R.		57	*50A-0606	BOLT	10			
17	28485 X 188	HOSE	1	710A, 720A & 730A	58	14A-06	LOCKWASHER	A.R.			
			1		59	30A-06	NUT	A.R.			
18	28485 X 212	HOSE	2	710, 720 & 730	60	50A-1016	BOLT	4			
			1	710A, 720A & 730A	61	14A-10	LOCKWASHER	4			
			1		62	14C-10	FLATWASHER	4			
			2	710, 720 & 730	63	30A-10	NUT	4			
			1	710A, 720A & 730A	64	*50A-1018	BOLT	2			
19	32589	CONNECTOR - INCLUDES ITEM 51	2		65		HYDRAULIC PUMP ASSEMBLY	REF.	SECTION 4 PAGES 3/4		
20	32668	STRAINER	2		66		MANIFOLD VALVE ASSEMBLY	REF.	SECTION 4 PAGES 7/8		
21	40219	HYDRAULIC OIL TANK	1		67		RELIEF VALVE ASSEMBLY	REF.	SECTION 4 PAGES 11/12		
22	40288	CROSS	1		68		ARTICULATION CYLINDER - MODEL 710A	REF.	SECTION 4 PAGES 13/14		
23	40290	CROSS	1		69		ARTICULATION CYLINDER - MODEL 720A & 730A	REF.	SECTION 4 PAGES 17/18		
24	40320	OIL FILTER - INCLUDES ITEM 1	1		70		SOLENOID VALVE ASSEMBLY	REF.	SECTION 4 PAGES 37/38		
25	40425	GASKET	1								
26	40505	TUBE	1								
27	40406	TUBE	1								
28	40975	CLAMP	A.R.								
29	42167	FILLER CAP - INCLUDES DIPSTICK	1								
30	*50043	ACCESS PLATE	1		71	110AH-2012	ADAPTER	A.R.			
31	12A-228	O RING	1	AS REQ'D	72	110AH-2016	ADAPTER	A.R.			
32	22A-200	CLAMP	4		73	110AH-2420	ADAPTER	A.R.			
33	108A-2420	CONNECTOR	1								
34	108B-2420	CONNECTOR	2								
35	108C-2420	CONNECTOR	1								
36	108C-2424	CONNECTOR	1								
37	110E-08	CAP	1								
38	110E-12	CAP	1								
39	111B-1210	CONNECTOR	4								
40	112A-12	CONNECTOR	1								

CHAMPION ROAD MACHINERY

EFFECTIVE SERIAL NUMBERS (UP TO SERIAL No.19221)
 NUMEROS DE SERIE EFFECTIFS (NUMEROS DE SERIE EFFECTIVOS)
 18595 & UP



700 SERIES
 SERIE 700
 SECTION 4
 PAGE 31
 SECCION 4
 PAGINA 31

ISSUE No. 3
 N° D'ÉMISSION
 N° DE EDICION 3

PRIMARY HYDRAULIC CIRCUIT - ALL WHEEL DRIVE

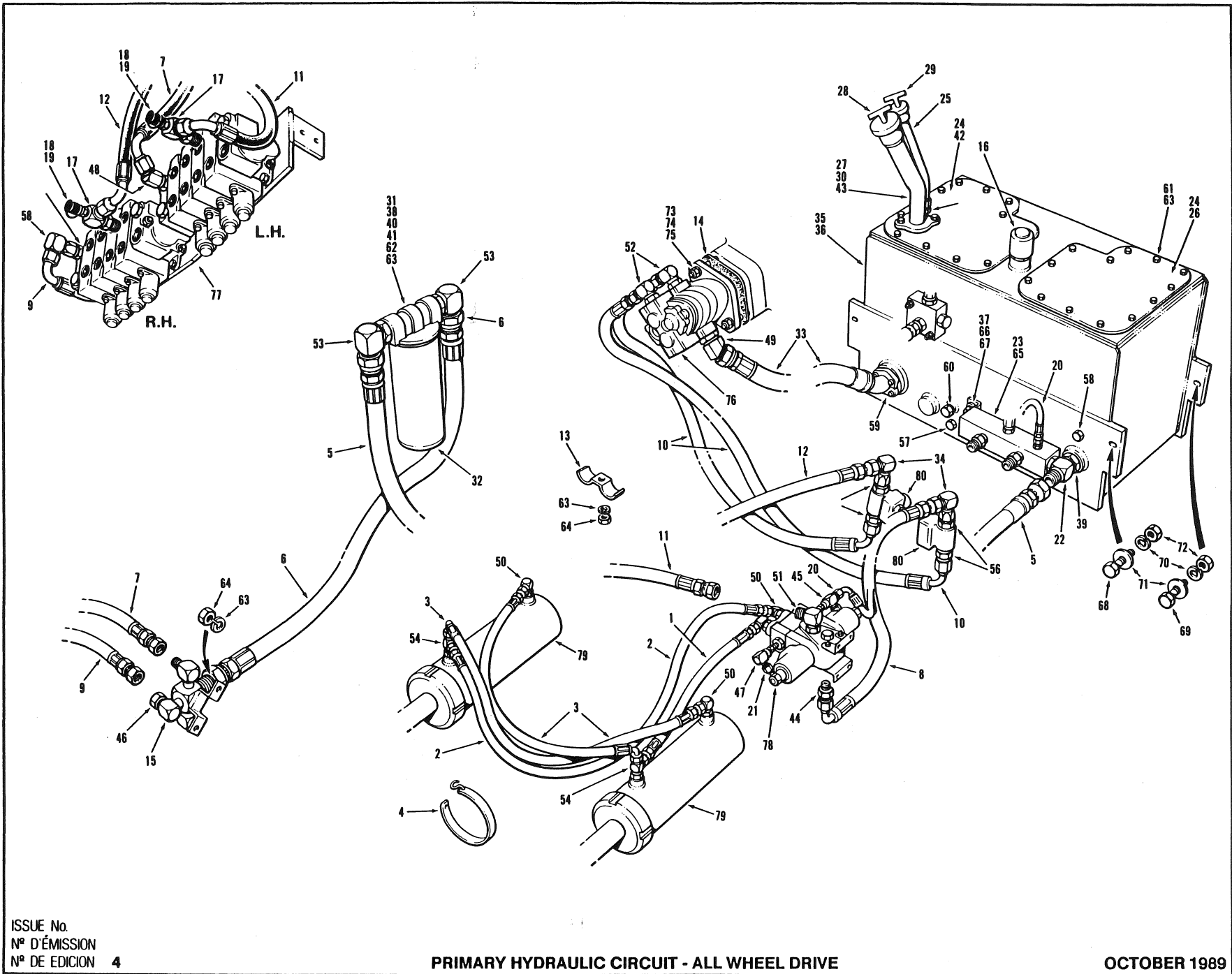
FOR LIST OF PARTS - TURN THIS PAGE POUR LA LISTE DES PIÈCES - VOIR AU VERSO PARA LA LISTA DE LAS PIEZAS - VER AL VERSO

APRIL 1989

USE ONLY CHAMPION ROAD MACHINERY APPROVED PARTS

SECTION SECCION		PAGE PAGINA		ISSUE No. N° D'ÉMISSION N° DE EDICION		PRIMARY HYDRAULIC CIRCUIT - ALL WHEEL DRIVE			APRIL 1989	
No. N°	PART No. N° DE PIÈCE N° DE PIEZA	DESCRIPTION DESCRIPTION DESCRIPCION	No. REQ. N° REQ. N° REQ.	REMARKS REMARQUES NOTAS	No. N°	PART No. N° DE PIÈCE N° DE PIEZA	DESCRIPTION DESCRIPTION DESCRIPCION	No. REQ. N° REQ. N° REQ.	REMARKS REMARQUES NOTAS	
1	9313X28	HOSE	1		37	12A-228	O RING	1		
2	9313X53.5	HOSE	1		38	22A-200	CLAMP	4		
3	13028	FILTER ELEMENT - INCLUDES GASKET	1		39	108A-2420	CONNECTOR	1	710A	
4	*14292	CONNECTOR	2	UP TO S/N 19221	40	*108A-2424	CONNECTOR	1		
5	14382X36	HOSE	2		41	108C-2424	CONNECTOR	1		
6	16894	AIR BREATHER	1		42	*108G-2420	CONNECTOR	1		
7	*17156X24	HOSE	1	720A/730A	43	*108H-2420	CONNECTOR	1	720A/730A	
8	*17156X26	HOSE	1	710A	44	110E-12	CAP	4		
9	17156X67	HOSE	1		45	111B-0808	CONNECTOR	4		
10	*19588	STRAP	3		46	111B-1208	CONNECTOR	1		
11	27449	MAGNETIC PLUG	1		47	111B-1210	CONNECTOR	4		
12	27739X109	HOSE	1		48	111B-1212	CONNECTOR	A.R.		
13	28008	STRAINER - INCLUDES ITEM 37	1		49	111B-2420	CONNECTOR	1		
14	28485X28	HOSE	1		50	111D-0808	TEE	2		
15	*28485X42	HOSE	1		51	111E-1208	CONNECTOR	1		
16	28485X47	HOSE	1		52	111H-12	PLUG	A.R.		
17	*28696X24	HOSE	1 or 2		53	111P-10	CONNECTOR	2		
18	*28696X120	HOSE	1		54	112B-12	ELBOW	1 or 2		
19	*28696X140	HOSE	1		55	115J-2424	ELBOW	2		
20	32668	STRAINER	2		56	115Z-2420	NIPPLE	2		
21	40320	OIL FILTER - INCLUDES ITEM 3	1		57	50A-0508	BOLT	4		
22	40425	GASKET	1		58	14A-05	LOCKWASHER	4		
23	40854	CLAMP	3		59	50A-0610	BOLT	10		
24	41648X6	HOSE PROTECTOR	A.R.		60	14A-06	LOCKWASHER	15		
25	41715X6	HOSE PROTECTOR	A.R.		61	30A-06	NUT	15		
26	*42794	GASKET	1		62	50A-1016	BOLT	2		
27	*44672	FILLER CAP - INCLUDES DIPSTICK	1		63	50A-1018	BOLT	2		
28	*45358	HYDRAULIC OIL TANK	1		64	14A-10	LOCKWASHER	4		
29	*45942	CROSS	1		65	14C-10	FLATWASHER	4		
30	50043	ACCESS PLATE	1		66	30A-10	NUT	4		
31	*28696X36	HOSE	1		67	*354E-12075	STUD	2		
32	*51485	CONNECTOR	2		68	*314A-12	LOCKWASHER	2		
33	51486	CONNECTOR ASSY. - INCLUDES ITEMS 32 & 36	2	S/N 19323 & UP	69	*330A-12	NUT	2		
34	*111A-1210	CONNECTOR	1		70		*HYDRAULIC PUMP ASSEMBLY	REF.	SECTION 4 PAGE 2	
35	*111E-1210	CONNECTOR	1		71		MANIFOLD VALVE ASSEMBLY	REF.	SECTION 4 PAGE 8	
36	115D-02	PLUG	2		72		RELIEF VALVE ASSEMBLY	REF.	SECTION 4 PAGE 14	
					73		*ARTICULATION CYLINDER ASSEMBLY	REF.	SECTION 4 PGS. 14&18	
					74		SOLENOID VALVE ASSEMBLY	REF.	SECTION 4 PAGE 38	

CHAMPION ROAD MACHINERY



EFFECTIVE SERIAL NUMBER(S)
 NUMEROS(S) DE SÉRIE EFFECTIFS(S)
 NUMEROS(S) DE SERIE EFFECTIVOS(S)

19982, 19984, 19985, 19986,
 20005, 20104, 20106, 20120 & UP

700 SERIES
 SERIE 700

SECTION 4 PAGE 31
 SECCION 4 PAGINA 31

ISSUE No.
 N° D'ÉMISSION
 N° DE EDICION 4

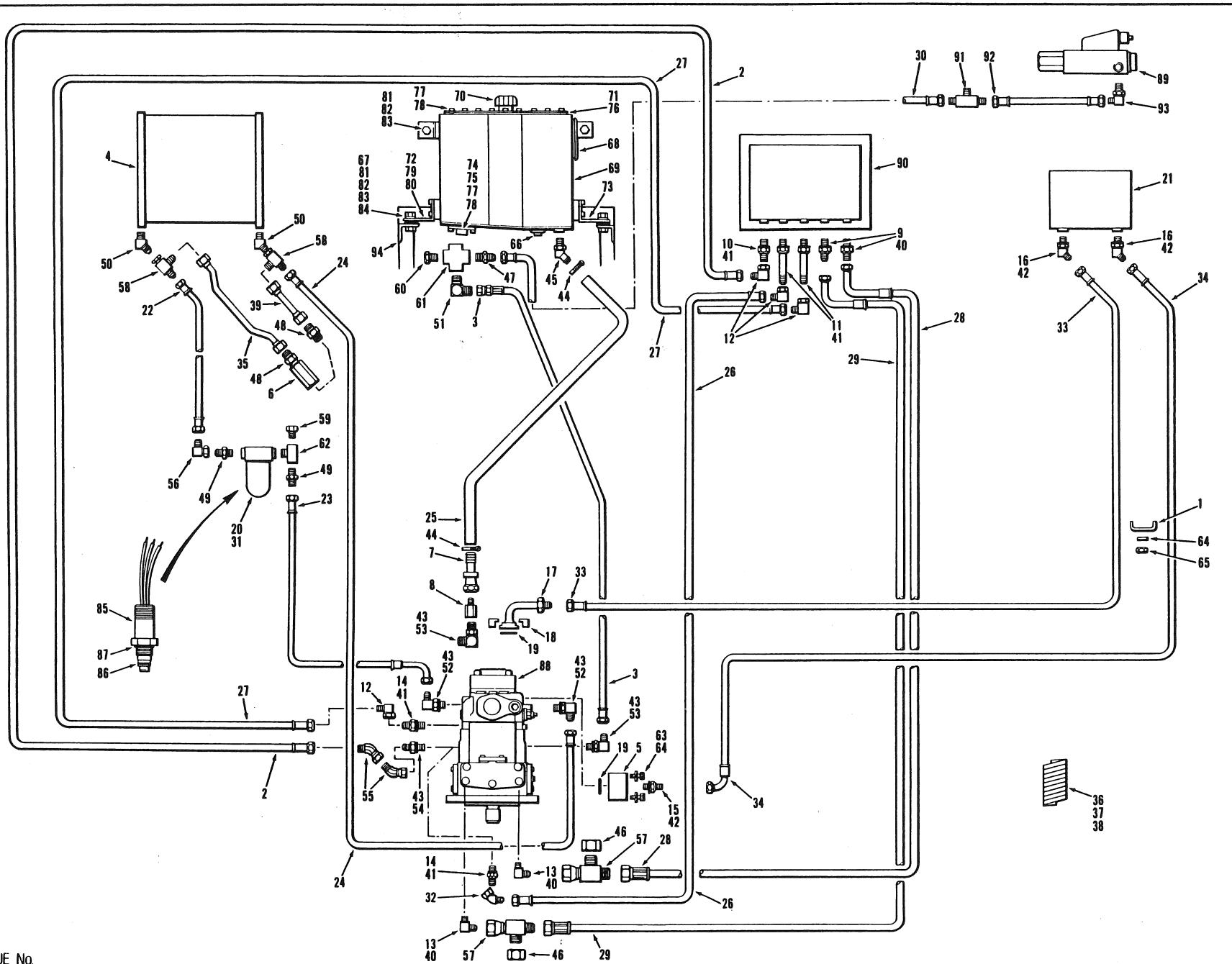
PRIMARY HYDRAULIC CIRCUIT - ALL WHEEL DRIVE

OCTOBER 1989

FOR LIST OF PARTS - TURN THIS PAGE POUR LA LISTE DES PIÈCES - VOIR AU VERSO PARA LA LISTA DE LAS PIEZAS - VER AL VERSO

USE ONLY CHAMPION ROAD MACHINERY APPROVED PARTS

SECTION SECCION		PAGE PAGINA		ISSUE No. N° D'ÉMISSION N° DE EDICION		PRIMARY HYDRAULIC CIRCUIT - ALL WHEEL DRIVE			OCTOBER 1989	
No. N° N°	PART No. N° DE PIÈCE N° DE PIEZA	DESCRIPTION DESCRIPTION DESCRIPCION	No. REQ. N° REQ. N° REQ.	REMARKS REMARQUES NOTAS	No. N° N°	PART No. N° DE PIECE N° DE PIEZA	DESCRIPTION DESCRIPTION DESCRIPCION	No. REQ. N° REQ. N° REQ.	REMARKS REMARQUES NOTAS	
1	9313 X 28	HOSE	1		47	*110U-0402	CONNECTOR	1		
2	9313 X 53.5	HOSE	1		48	111A-1210	CONNECTOR	1		
3	14382 X 36	HOSE	2		49	*111A-2420	CONNECTOR	1		
4	19588	STRAP	3		50	111B-0808	CONNECTOR	4		
5	*27739 X 76	HOSE	1		51	111B-1210	CONNECTOR	1		
6	27739 X 109	HOSE	1		52	111B-1212	CONNECTOR	2		
7	28696 X 24	HOSE	1		52	111B-2420	CONNECTOR	2		
8	*28696 X 27	HOSE	1		54	111D-0808	TEE	2		
9	28696 X 36	HOSE	1		55	*111E-0808	CONNECTOR	1		
10	*28696 X 55	HOSE	2		56	*111E-1212	CONNECTOR	4		
11	28696 X 120	HOSE	1		57	*111H-08	PLUG	2		
12	28696 X 140	HOSE	1		58	112B-12	CONNECTOR	1		
13	40854	CLAMP	1		59	*114D-24	FLANGE - C/W O RING & HARDWARE	1		
14	42794	GASKET	1		60	*115C-08	PLUG	1		
15	45942	CROSS	1		61	*50A-0608	BOLT	26		
16	48878	BREATHER	1		62	*50A-0612	BOLT	3		
17	49837	CONNECTOR	2		63	14A-06	LOCKWASHER	32		
18	*51286	QUICK DISCONNECT COUPLING - MALE	2		64	30A-06	NUT	3		
	*51287	QUICK DISCONNECT COUPLING - FEMALE (FOR TESTING)	1		65	*50A-0808	BOLT	1		
	*51288	DUST CAP	2		66	*14A-08	LOCKWASHER	1		
19					67	*30A-08	NUT	1		
20	*52086 X 36.5	HOSE	1		68	50A-1016	BOLT	2		
21	*52087	TUBE	1		69	50A-1018	BOLT	2		
22	*53378	TEE	1		70	14A-10	LOCKWASHER	4		
23	*53379	MANIFOLD	1		71	14C-10	FLATWASHER	4		
24	*53439	GASKET - COVER PLATE	2		72	30A-10	NUT	4		
25	*53466	NECK ASSEMBLY - DIP STICK	1		73	354E-12075	STUD	2		
26	*53469	COVER PLATE - L.H.	1		74	314A-12	LOCKWASHER	2		
27	*53488	GASKET - FILLER NECK	1		75	330A-12	NUT	2		
28	*53491	CAP	1							
29	*53492	DIP STICK	1							
30	*53495	STRAINER	1		76		HYDRAULIC PUMP	REF.	SECTION 4	
31	*53510	FILTER ASSEMBLY C/W INDICATOR - C/W ITEMS 32 & 40	1						PAGE 2	
32	*53527	FILTER ELEMENT	1		77		MANIFOLD VALVE ASSEMBLY	REF.	SECTION 4	
33	*53568 X 29.25	HOSE	1						PAGE 8	
34	*53623	ELBOW	2		78		SOLENOID VALVE ASSEMBLY	REF.	SECTION 4	
35	*54021	HYDRAULIC OIL TANK	1						PAGE 38	
36	*54040	MAGNETIC PLUG	1		79		ARTICULATION CYLINDER ASSEMBLY	REF.	SECTION 4	
37	*54055	BRACKET	1						PGS. 14 & 18	
38	*54041	FILTER ASSEMBLY W/O INDICATOR - C/W ITEMS 32 & 41	1		80		RELIEF VALVE ASSEMBLY	REF.	SECTION 4	
39	*54137	DIFFUSER	1						PAGE 14	
40	*54171	HEAD	1							
41	*54172	HEAD	1							
42	*54352	COVER PLATE - R.H.	1							
43	*54353	FILLER NECK	1							
44	*54416	CONNECTOR	2							
45	*110AE-0402	TEE	1							
46	110E-12	CAP	1							



USE ONLY CHAMPION ROAD MACHINERY APPROVED PARTS

EFFECTIVE SERIAL NUMBERS) 16342 & UP
NUMEROS) DE SERIE EFFECTIFS)
NUMEROS) DE SERIE EFFECTIVOS)
U.S. 2110-2 & UP

700 SERIES
SERIE 700

SECTION 4
PAGE 33
SECCION 4
PAGINA 33

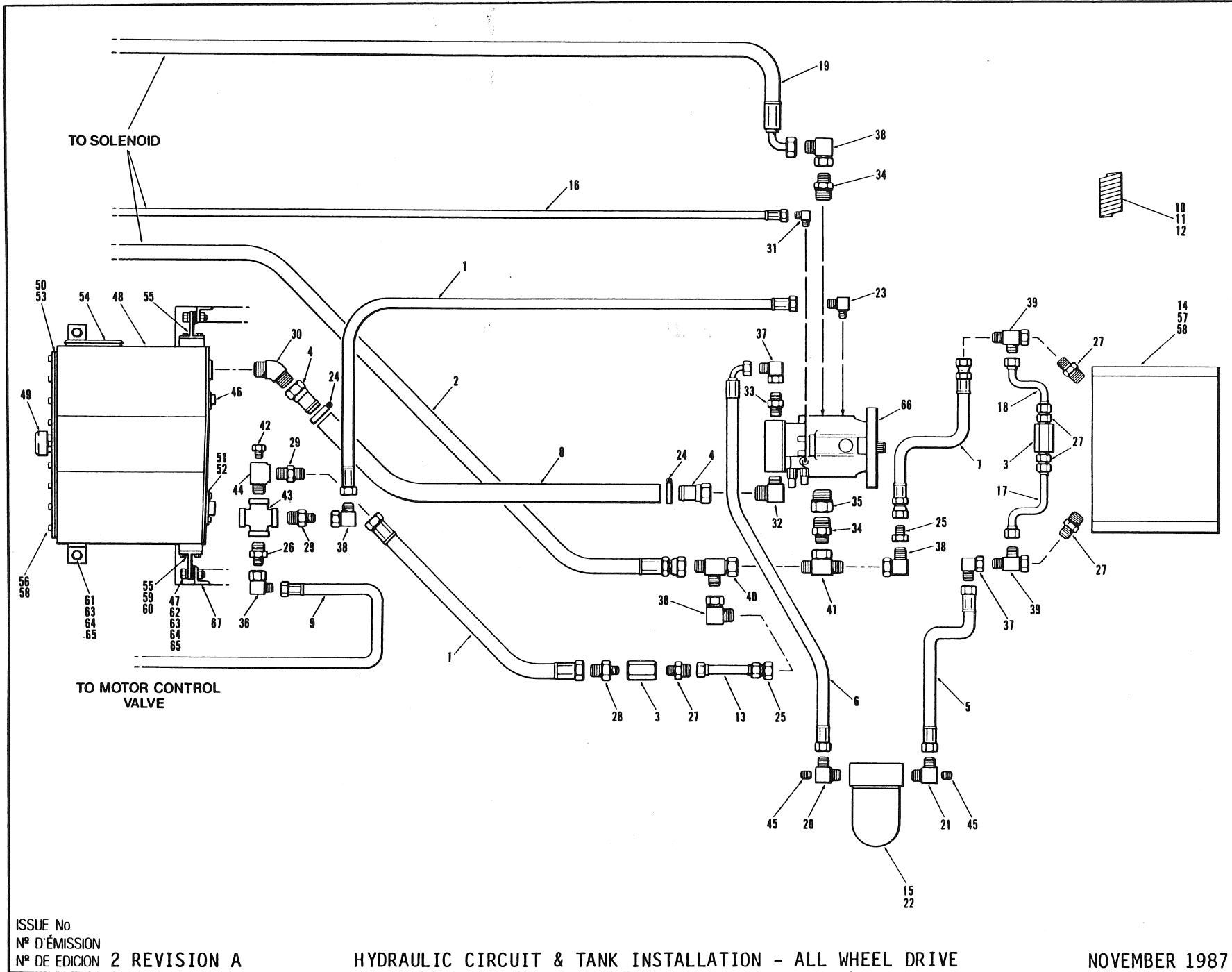
ISSUE No. 1 REVISION A
Nº D'ÉMISSION
Nº DE EDICION

HYDRAULIC CIRCUIT & TANK INSTALLATION - ALL WHEEL DRIVE

NOVEMBER 1985

FOR LIST OF PARTS - TURN THIS PAGE POUR LA LISTE DES PIÈCES - VOIR AU VERSO PARA LA LISTA DE LAS PIEZAS - VER AL VERSO

SECTION SECCION 4		PAGE PAGINA 34	ISSUE No. N° D'ÉMISSION N° DE EDICION 1 REVISION A	HYDRAULIC CIRCUIT & TANK INSTALLATION - ALL WHEEL DRIVE				NOVEMBER 1985	
No. N° N°	PART No. N° DE PIÈCE N° DE PIEZA	DESCRIPTION DÉSCRIPTION DESCRIPCION	No. REQ. N° REQ. N° REQ.	REMARKS REMARQUES NOTAS	No. N° N°	PART No. N° DE PIECE N° DE PIEZA	DESCRIPTION DÉSCRIPTION DESCRIPCION	No. REQ. N° REQ. N° REQ.	REMARKS REMARQUES NOTAS
1	8425	HOSE CLIP	1						
2	9313 X 22	HOSE	1		55	112A-08	ELBOW	2	
3	28485 X 102	HOSE	1		56	112B-10	ELBOW	1	
4	30572	COOLER	1		57	112C-04	TEE	2	
5	30601	ELBOW BLOCK	1		58	112C-10	TEE	2	
6	30652	CHECK VALVE	1		59	115B-1204	REDUCER	1	
7	30653	CONNECTOR	1		60	115B-1206	REDUCER	1	
8	30654	REDUCER	1		61	115N-12	CROSS	1	
9	30655	CONNECTOR	2		62	115W-1212	TEE	1	
10	30656	CONNECTOR	2		63	50D-0615	BOLT	4	
11	30657	EXTENDED CONNECTOR	2		64	14A-06	LOCKWASHER	5	
12	30658	CONNECTOR	4		65	30A-06	NUT	1	
13	30660	CONNECTOR	2						
14	30661	CONNECTOR	2						
15	30662	CONNECTOR	1						
16	30663	CONNECTOR	2						
17	30666	CONNECTOR	1						
18	30667	FLANGE KIT	1						
19	30668	O RING	2						
20	30669	FILTER - INCLUDES ITEMS 31 & 85 TO 87	1						
21	30671	FLOW DIVIDER VALVE	1						
22	30673	HOSE	1						
23	30674	HOSE	1						
24	30675	HOSE	1						
25	30677	HOSE	1						
26	30678	HOSE	1						
27	30679	HOSE	1						
28	30680	HOSE	1						
29	30681	HOSE	1						
30	30739	HOSE	1						
31	30790	FILTER ELEMENT	1		77	50A-0606	BOLT	21	
32	30911	CONNECTOR	1		78	14A-06	LOCKWASHER	21	
33	30916	HOSE	1		79	50A-0810	BOLT	4	
34	30917	HOSE	1		80	14A-08	LOCKWASHER	4	
35	30920	TUBE	1		81	50A-1016	BOLT	4	
36	30925	HOSE WRAPPING - 3/4"	1		82	14A-10	LOCKWASHER	4	
37	30926	HOSE WRAPPING - 1/2"	1		83	14C-10	FLATWASHER	4	
38	30927	HOSE WRAPPING - 1"	1		84	30A-10	NUT	2	
39	30956	TUBE	1						
40	43463*	O RING	4		85	41562	BY-PASS SWITCH - C/W ITEMS 86 & 87	1	
41	43464*	O RING	5		86	12A-015	O RING	1	
42	43465*	O RING	3		87	12A-017	O RING	1	
43	43466*	O RING	5		88		PUMP	REF.	SECTION 4 PAGE 3/4
44	22A-150*	HOSE CLAMP	2		89		MOTOR CONTROL VALVE	REF.	SECTION 4 PAGE 27/28
45	108F-1616	CONNECTOR	1		90		PUMP CONTROL VALVE	REF.	SECTION 4 PAGE 29/30
46	110E-04	CAP	2						
47	110G-0812	CONNECTOR	1		91		MALE TEE	REF.	SECTION 4 PAGE 35
48	110G-1008	CONNECTOR	2		92		HYDRAULIC HOSE ASSEMBLY	REF.	
49	110G-1012	CONNECTOR	2		93		90° MALE CONNECTOR	REF.	
50	110P-1008	CONNECTOR	2						
51	110R-1212	CONNECTOR	1		94		TANK SUPPORT	REF.	SECTION 8 PAGE 3/4
52	111B-1010	CONNECTOR	2						
53	111B-1210	CONNECTOR	2						
54	111E-0810	CONNECTOR	1						



EFFECTIVE SERIAL NUMBER(S) 16860 & UP
 NUMEROS(S) DE SERIE EFFECTIF(S)
 NUMEROS(S) DE SERIE EFFECTIVO(S)
 U.S. NOT APPLICABLE

700 SERIES
 SERIE 700

SECTION 4 PAGE 33
 SECTION 4 PAGINA 33

USE ONLY CHAMPION APPROVED PARTS

ISSUE No.
 N° D'ÉMISSION
 N° DE EDICION 2 REVISION A

HYDRAULIC CIRCUIT & TANK INSTALLATION - ALL WHEEL DRIVE

NOVEMBER 1987

FOR LIST OF PARTS - TURN THIS PAGE

POUR LA LISTE DES PIÈCES - VOIR AU VERSO

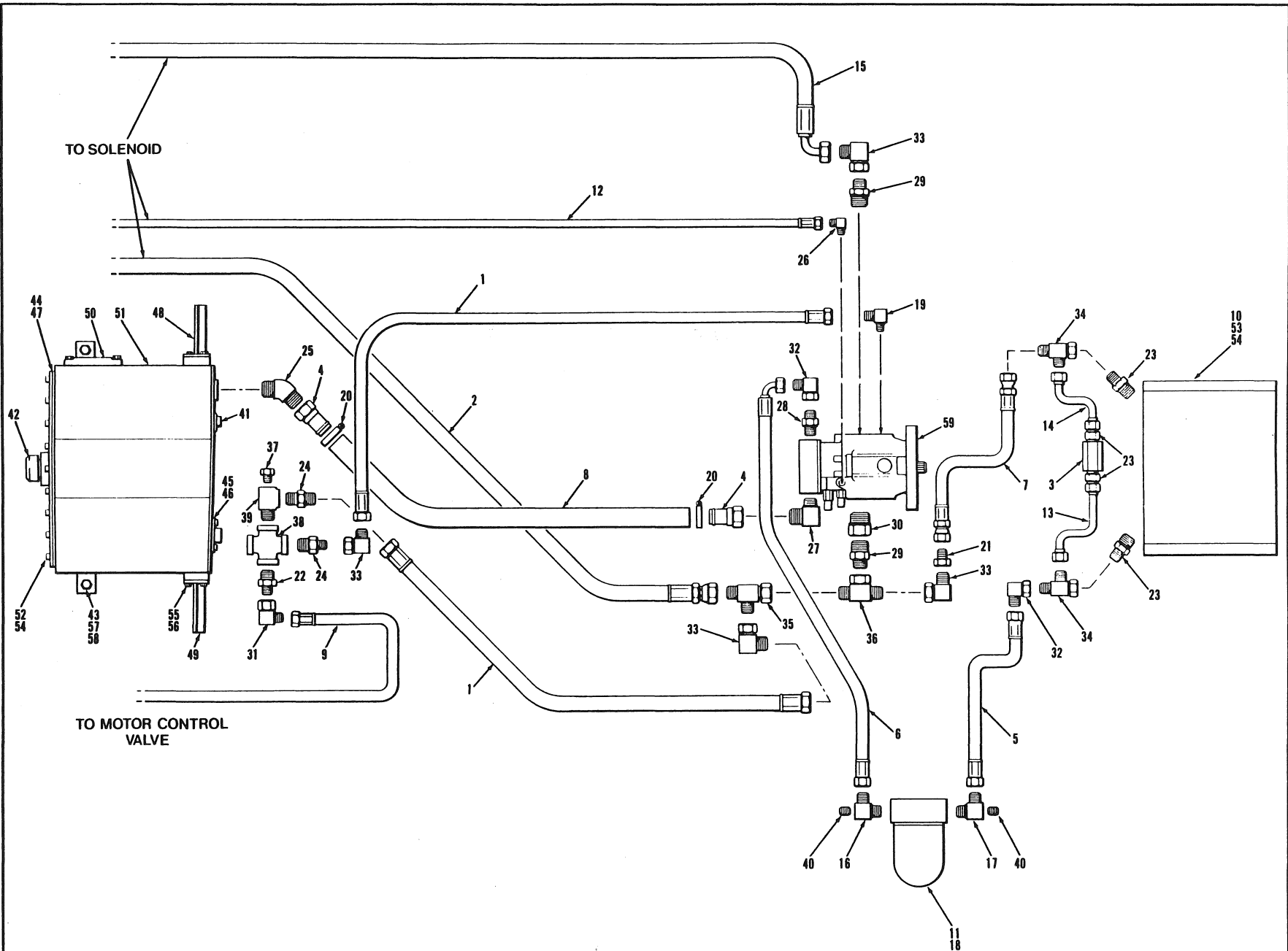
PARA LA LISTA DE LAS PIEZAS - VER AL VERSO

SECTION SECCION 4		PAGE PAGINA 34	ISSUE No. N° D'ÉMISSION N° DE EDICION	2 REVISION A	HYDRAULIC CIRCUIT & TANK INSTALLATION - ALL WHEEL DRIVE			NOVEMBER 1987	
No. N° N°	PART No. N° DE PIÈCE N° DE PIEZA	DESCRIPTION DÉSCRIPTION DESCRIPCION	No. REQ. N° REQ. N° REQ.	REMARKS REMARQUES NOTAS	No. N° N°	PART No. N° DE PIÈCE N° DE PIEZA	DESCRIPTION DÉSCRIPTION DESCRIPCION	No. REQ. N° REQ. N° REQ.	REMARKS REMARQUES NOTAS
1	14377 X 95	HOSE	2		46	3614	MAGNETIC PLUG	1	
2	28485 X 338	HOSE	1		47	12375	RUBBER MOUNT	4	
3	30652	CHECK VALVE	2		48	30502	HYDRAULIC OIL TANK	1	
4	30653	CONNECTOR	2		49	30504	FILLER & BREATHER CAP ASSY.	1	
5	30673	HOSE	1		50	30509	GASKET	1	
6	30674	HOSE	1		51	30517	SUCTION STRAINER ASSY.	1	
7	*30675	HOSE	1		52	30518	GASKET	1	
8	30677 X 90	HOSE	1		53	30519	COVER PLATE	1	
9	30739	HOSE	1		54	*37554	FLUID LEVEL GAUGE	1	
10	30925 X 60	HOSE WRAPPING - 3/4"	1		55	*45414	MOUNTING BRACKET	2	
11	30926 X 70	HOSE WRAPPING - 1/2"	2						
12	30927 X 100	HOSE WRAPPING - 1"	4						
13	*30956	TUBE	1		56	50A-0606	BOLT	4	
14	41544	COOLER	1		57	50A-0608	BOLT	4	
15	41951	FILTER - INCLUDES ITEM 22	1		58	14A-06	LOCKWASHER	4	
16	42218 X 338	HOSE	1		59	50A-0810	BOLT	4	
17	43387	TUBE	1		60	14A-08	LOCKWASHER	4	
18	43388	TUBE	1		61	50A-1016	BOLT	2	
19	43491 X 338	HOSE	1		62	50A-1018	BOLT	2	
20	43708	CONNECTOR	1		63	14A-10	LOCKWASHER	4	
21	43709	CONNECTOR	1		64	14C-10	FLATWASHER	4	
22	44419	FILTER ELEMENT	1		65	30A-10	NUT	2	
23	*44897	CONNECTOR	1						
24	22A-150	HOSE CLAMP	2		66		PUMP	REF.	SECTION 4
25	110AH-1012	CONNECTOR	2		67		TANK SUPPORT	REF.	PAGE 4
26	110G-0812	CONNECTOR	1						SECTION 8
27	110G-1008	CONNECTOR	5						PAGE 4
28	110G-1208	CONNECTOR	1						
29	110G-1212	CONNECTOR	2						
30	110P-1616	CONNECTOR	1						
31	111B-0404	CONNECTOR	1			*44904	F.A. 301 - INCLUDES ITEMS 1,23,29 38 & PUMP (REF. SEC.4 PG.4)	A.R.	
32	111B-1612	CONNECTOR	1						
33	111E-1010	CONNECTOR	1						
34	111E-1216	CONNECTOR	2						
35	111R-2016	REDUCER	1						
36	112B-08	CONNECTOR	1						
37	112B-10	ELBOW	2						
38	112B-12	ELBOW	4						
39	112C-10	TEE	2						
40	112C-12	TEE	1						
41	112D-12	TEE	1						
42	115B-1206	PIPE BUSHING	1						
43	115N-12	PIPE CROSS	1						
44	115V-1212	TEE	1						
45	115D-02	PIPE PLUG	2						

EFFECTIVE SERIAL NUMBER(S) 18878 & UP
NUMEROS (S) DE SÉRIE EFFECTIF(S)
NUMEROS (S) DE SERIE EFECTIVOS

700 SERIES
SERIE 700

SECTION 4 PAGE 33
SECCION 4 PAGINA 33



ISSUE No.
Nº D'ÉMISSION
Nº DE EDICION 3

HYDRAULIC CIRCUIT & TANK INSTALLATION - ALL WHEEL DRIVE

AUGUST 1988

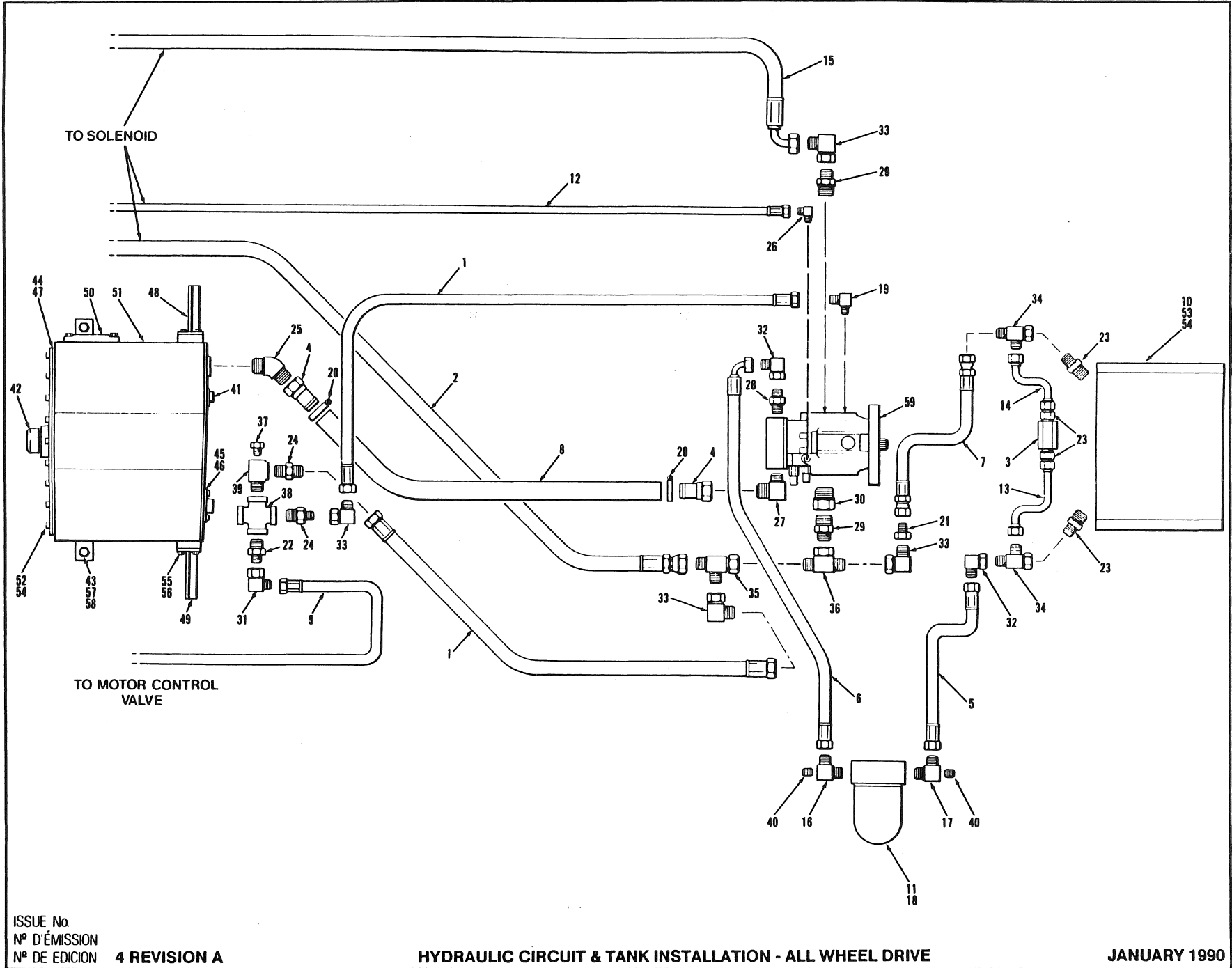
FOR LIST OF PARTS - TURN THIS PAGE

POUR LA LISTE DES PIÈCES - VOIR AU VERSO

PARA LA LISTA DE LAS PIEZAS - VER AL VERSO

USE ONLY CHAMPION ROAD MACHINERY APPROVED PARTS

SECTION SECCION 4		PAGE PAGINA 34	ISSUE No. N° D'ÉMISSION 3 N° DE EDICION	HYDRAULIC CIRCUIT & TANK INSTALLATION - ALL WHEEL DRIVE				AUGUST 1988	
No. N° N°	PART No. N° DE PIÈCE N° DE PIEZA	DESCRIPTION DESCRIPTION DESCRIPCION	No. REQ N° REQ. N° REQ.	REMARKS REMARQUES NOTAS	No. N° N°	PART No. N° DE PIÈCE N° DE PIEZA	DESCRIPTION DESCRIPTION DESCRIPCION	No. REQ N° REQ. N° REQ.	REMARKS REMARQUES NOTAS
1	14377 X 95	HOSE	2		41	3614	MAGNETIC PLUG	1	
2	28485 X 338	HOSE	1		42	30504	FILLER & BREATHER CAP ASSY.	1	
3	30652	CHECK VALVE	1		43	30508	MOUNTING PAD	2	
4	30653	CONNECTOR	2		44	30509	GASKET	1	
5	30673	HOSE	1		45	30517	SUCTION STRAINER ASSY.	1	
6	30674	HOSE	1		46	30518	GASKET	1	
7	30675	HOSE	1		47	30519	COVER PLATE	1	
8	30677 X 90	HOSE	1		48	*37055	MOUNTING PLATE - L.H.	1	REPAIR PART
9	30739	HOSE	1		49	*37056	MOUNTING PLATE - R.H.	1	
10	41544	COOLER	1		50	37554	FLUID LEVEL GAUGE	1	
11	41951	FILTER - INCLUDES ITEM 18	1		51	*48566	HYDRAULIC OIL TANK	1	
12	42218 X 338	HOSE	1						
13	43387	TUBE	1		52	50A-0606	BOLT	21	
14	43388	TUBE	1		53	50A-0608	BOLT	4	
15	43491 X 338	HOSE	1		54	14A-06	LOCKWASHER	25	
16	43708	CONNECTOR	1		55	50A-0810	BOLT	4	
17	43709	CONNECTOR	1		56	14A-08	LOCKWASHER	4	
18	44419	FILTER ELEMENT	1		57	*50A-1008	BOLT	2	
19	44897	CONNECTOR	1		58	14A-10	LOCKWASHER	2	
20	22A-150	HOSE CLAMP	2		59		PUMP	REF.	SECTION 4 PAGE 4
21	110AH-1012	CONNECTOR	1						
22	110G-0812	CONNECTOR	1						
23	110G-1008	CONNECTOR	4						
24	110G-1212	CONNECTOR	2				F.A. 301 - INCLUDES ITEMS 1, 23, 29, 38 & PUMP (REF. SEC. 4 PG. 4)	A.R.	
25	110P-1616	CONNECTOR	1						
26	111B-0404	CONNECTOR	1						
27	111B-1612	CONNECTOR	1						
28	111E-1010	CONNECTOR	1						
29	111E-1216	CONNECTOR	1						
30	111R-2016	REDUCER	1						
31	112B-08	CONNECTOR	1						
32	112B-10	ELBOW	2						
33	112B-12	ELBOW	4						
34	112C-10	TEE	2						
35	112C-12	TEE	1						
36	112D-12	TEE	1						
37	115B-1206	PIPE BUSHING	1						
38	115N-12	PIPE CROSS	1						
39	115V-1212	TEE	1						
40	115D-02	PIPE PLUG	2						



TO SOLENOID

TO MOTOR CONTROL VALVE

EFFECTIVE SERIAL NUMBER(S)
 NUMEROS DE SERIE EFFECTIFS
 NUMEROS DE SERIE EFECTIVOS

700 SERIES
 SERIE 700

SECTION 4
 PAGE 33

ISSUE No.
 N° D'ÉMISSION
 N° DE EDICION

4 REVISION A

HYDRAULIC CIRCUIT & TANK INSTALLATION - ALL WHEEL DRIVE

JANUARY 1990

FOR LIST OF PARTS - TURN THIS PAGE

POUR LA LISTE DES PIÈCES - VOIR AU VERSO

PARA LA LISTA DE LAS PIEZAS - VER AL VERSO

USE ONLY CHAMPION ROAD MACHINERY APPROVED PARTS

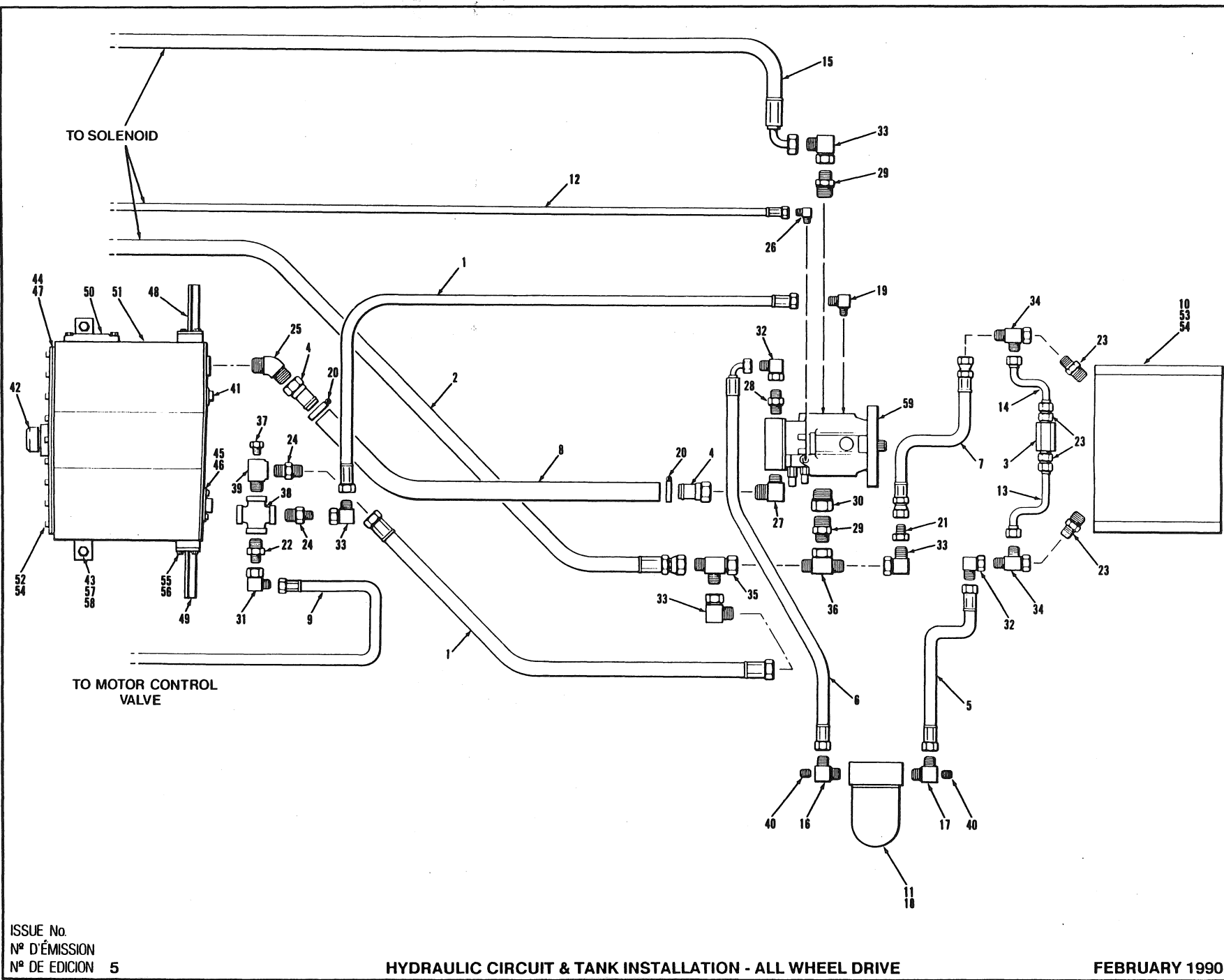
SECTION SECCION		PAGE PAGINA		ISSUE No. N° D'ÉMISSION N° DE EDICION		4 REVISION A		HYDRAULIC CIRCUIT & TANK INSTALLATION - ALL WHEEL DRIVE			JANUARY 1990	
No. N°	PART No. N° DE PIÈCE N° DE PIEZA	DESCRIPTION DESCRIPTION DESCRIPCION	No. REQ. N° REQ. N° REQ.	REMARKS REMARQUES NOTAS	No. N°	PART No. N° DE PIECE N° DE PIEZA	DESCRIPTION DESCRIPTION DESCRIPCION	No. REQ. N° REQ. N° REQ.	REMARKS REMARQUES NOTAS			
1	14377 x 95	HOSE	2		41	3614	MAGNETIC PLUG	1				
2	28485 x 338	HOSE	1		42	30504	FILLTER & BREATHER CAP ASSEMBLY	1				
3	30652	CHECK VALVE	1		43	30508	MOUNTING PAD	2				
4	30653	CONNECTOR	2		44	30509	GASKET	1				
5	53042	HOSE	1		45	30517	SUCTION STRAINER ASSEMBLY	1				
6	53041	HOSE	1		46	30518	GASKET	1				
7	30675	HOSE	1		47	30519	COVER PLATE	1				
8	30677 x 90	HOSE	1		48	37055	MOUNTING PLATE - L.H.	1	REPAIR PART			
9	30739	HOSE	1		49	37056	MOUNTING PLATE - R.H.	1				
10	41544	COOLER	1	to S/N 20238 S/N 20313 & up	50	37554	FLUID LEVEL GAUGE	1				
	*52927	COOLER	1			51	48566	HYDRAULIC OIL TANK	1			
11	41951	FILTER - INCLUDES ITEM 18	1		52	50A-0606	BOLT	21				
12	42218 x 338	HOSE	1		53	50A-0608	BOLT	6				
13	43387	TUBE	1		54	14A-06	LOCKWASHER	25				
14	43388	TUBE	1		55	50A-0810	BOLT	4				
15	43491 x 338	HOSE	1		56	14A-08	LOCKWASHER	4				
16	43708	CONNECTOR	1		57	50A-1008	BOLT	2				
17	43709	CONNECTOR	1		58	14A-10	LOCKWASHER	2				
18	44419	FILTER ELEMENT	1		59		PUMP	REF.	SECTION 4 PAGE 4			
19	44897	CONNECTOR	1									
20	22A-150	HOSE CLAMP	2									
21	110AH-1012	CONNECTOR	1									
22	110G-0812	CONNECTOR	1									
23	110G-1008	CONNECTOR	4									
24	110G-1212	CONNECTOR	2									
25	110P-1616	CONNECTOR	1									
26	111B-0404	CONNECTOR	1									
27	*111B-1216	CONNECTOR	1									
28	111E-1010	CONNECTOR	1									
29	111E-1216	CONNECTOR	1									
30	111R-2016	REDUCER	1									
31	112B-08	CONNECTOR	1									
32	112B-10	ELBOW	2									
33	112B-12	ELBOW	4									
34	112C-10	TEE	2									
35	112C-12	TEE	1									
36	112D-12	TEE	1									
37	115B-1206	PIPE BUSHING	1									
38	115N-12	PIPE CROSS	1									
39	115V-1212	TEE	1									
40	115D-02	PIPE PLUG	2									

EFFECTIVE SERIAL NUMBER(S)
 NUMEROS DE SÉRIE EFFECTIF(S)
 NUMEROS DE SERIE EFFECTIVOS

20313 & UP

700 SERIES
 SERIE 700

SECTION 4 PAGE 33
 SECCION 4 PAGINA 33



ISSUE No.
 N° D'ÉMISSION
 N° DE EDICION 5

HYDRAULIC CIRCUIT & TANK INSTALLATION - ALL WHEEL DRIVE

FEBRUARY 1990

FOR LIST OF PARTS - TURN THIS PAGE

POUR LA LISTE DES PIÈCES - VOIR AU VERSO

PARA LA LISTA DE LAS PIEZAS - VER AL VERSO

USE ONLY CHAMPION ROAD MACHINERY APPROVED PARTS

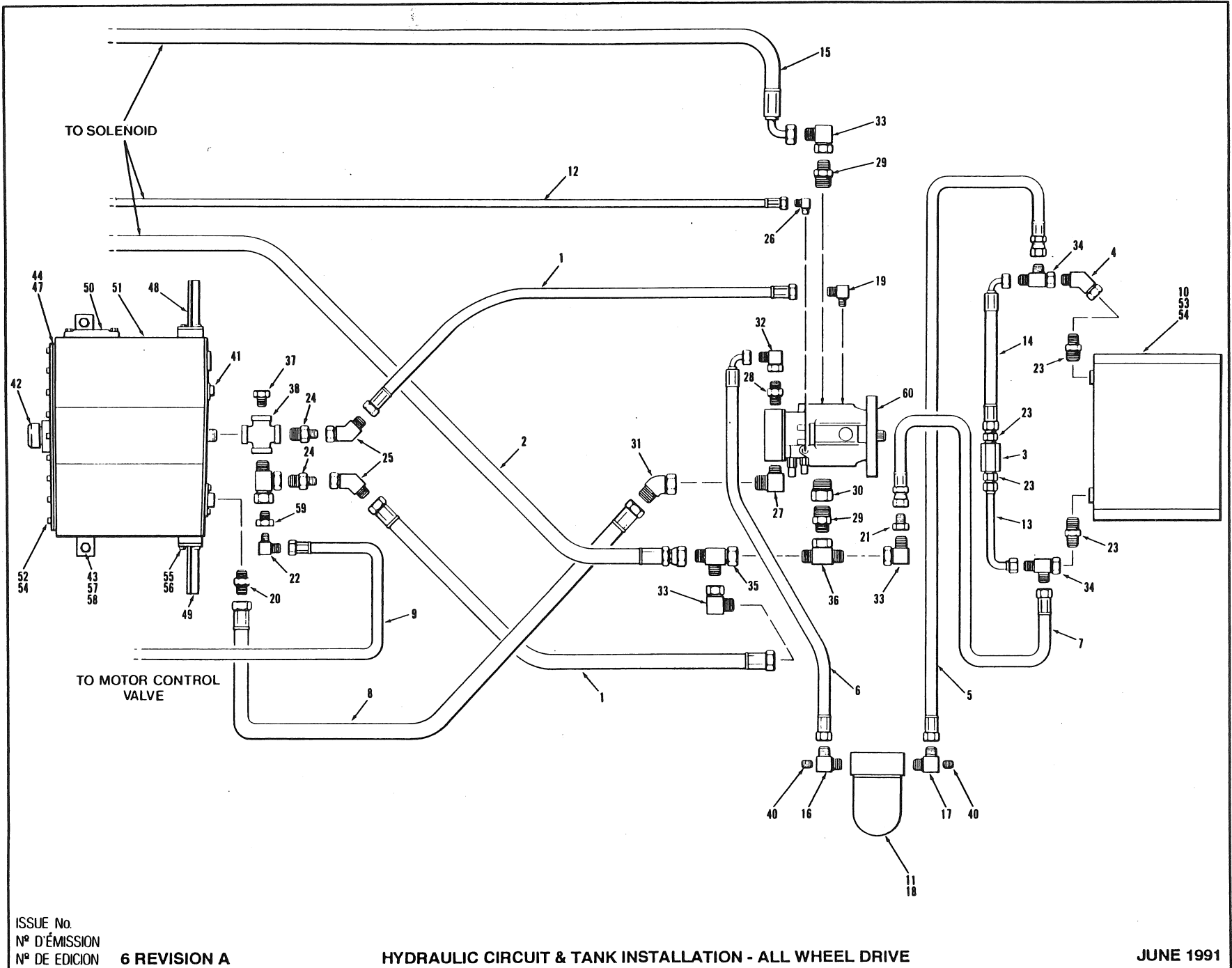
SECTION SECCION		4	PAGE PAGINA	34	ISSUE No. N° D'ÉMISSION N° DE EDICION	5	HYDRAULIC CIRCUIT & TANK INSTALLATION - ALL WHEEL DRIVE				FEBRUARY 1990
No. N° N°	PART No. N° DE PIECE N° DE PIEZA	DESCRIPTION DESCRIPTION DESCRIPCION	No. REQ. N° REQ. N° REQ.	REMARKS REMARQUES NOTAS	No. N° N°	PART No. N° DE PIECE N° DE PIEZA	DESCRIPTION DESCRIPTION DESCRIPCION	No. REQ. N° REQ. N° REQ.	REMARKS REMARQUES NOTAS		
1	14377 x 95	HOSE	2		43	30508	MOUNTING PAD	2			
2	28485 x 338	HOSE	1		44	30509	GASKET	1			
3	30652	CHECK VALVE	1		45	30517	SUCTION STRAINER ASSEMBLY	1			
4	30653	CONNECTOR	2		46	30518	GASKET	1			
5	*53042 x 42	HOSE	1		47	30519	COVER PLATE	1			
6	*53041 x 38	HOSE	1		48	37055	MOUNTING PLATE - L.H.	1	REPAIR PART		
7	*53042 x30	HOSE	1		49	37056	MOUNTING PLATE - R.H.	1			
8	30677 x 90	HOSE	1		50	37554	FLUID LEVEL GAUGE	1			
9	*9313 x 240	HOSE	1		51	48566	HYDRAULIC OIL TANK	1			
10	52927	COOLER	1		52	50A-0606	BOLT	21			
11	41951	FILTER - INCLUDES ITEM 18	1		53	50A-0608	BOLT	6			
12	42218 x 338	HOSE	1		54	14A-06	LOCKWASHER	25			
13	*56220	TUBE	1		55	50A-0810	BOLT	4			
14	*56221	TUBE	1		56	14A-08	LOCKWASHER	4			
15	43491 x 338	HOSE	1		57	50A-1008	BOLT	2			
16	43708	CONNECTOR	1		58	14A-10	LOCKWASHER	2			
17	43709	CONNECTOR	1		59		PUMP	REF.	SECTION 4 PAGE 4		
18	44419	FILTER ELEMENT	1								
19	44897	CONNECTOR	1								
20	22A-150	HOSE CLAMP	2								
21	110AH-1012	CONNECTOR	1								
22	110G-0812	CONNECTOR	1								
23	110G-1008	CONNECTOR	4								
24	110G-1212	CONNECTOR	2								
25	110P-1616	CONNECTOR	1								
26	111B-0404	CONNECTOR	1								
27	111B-1216	CONNECTOR	1								
28	111E-1010	CONNECTOR	1								
29	111E-1216	CONNECTOR	1								
30	111R-2016	REDUCER	1								
31	112B-08	CONNECTOR	1								
32	112B-10	ELBOW	2								
33	112B-12	ELBOW	4								
34	112C-10	TEE	2								
35	112C-12	TEE	1								
36	112D-12	TEE	1								
37	115B-1206	PIPE BUSHING	1								
38	115N-12	PIPE CROSS	1								
39	115V-1212	TEE	1								
40	115D-02	PIPE PLUG	2								
41	3614	MAGNETIC PLUG	1								
42	30504	FILLTER & BREATHER CAP ASSEMBLY	1								

EFFECTIVE SERIAL NUMBER(S)
 NUMEROS DE SÉRIE EFFECTIFS
 NUMEROS DE SERIE EFFECTIVOS

20893 & UP

700 SERIES
 SERIE 700

SECTION 4 PAGE 33
 SECCION 4 PAGINA 33



ISSUE No.
 N° D'ÉMISSION
 N° DE EDICION

6 REVISION A

HYDRAULIC CIRCUIT & TANK INSTALLATION - ALL WHEEL DRIVE

JUNE 1991

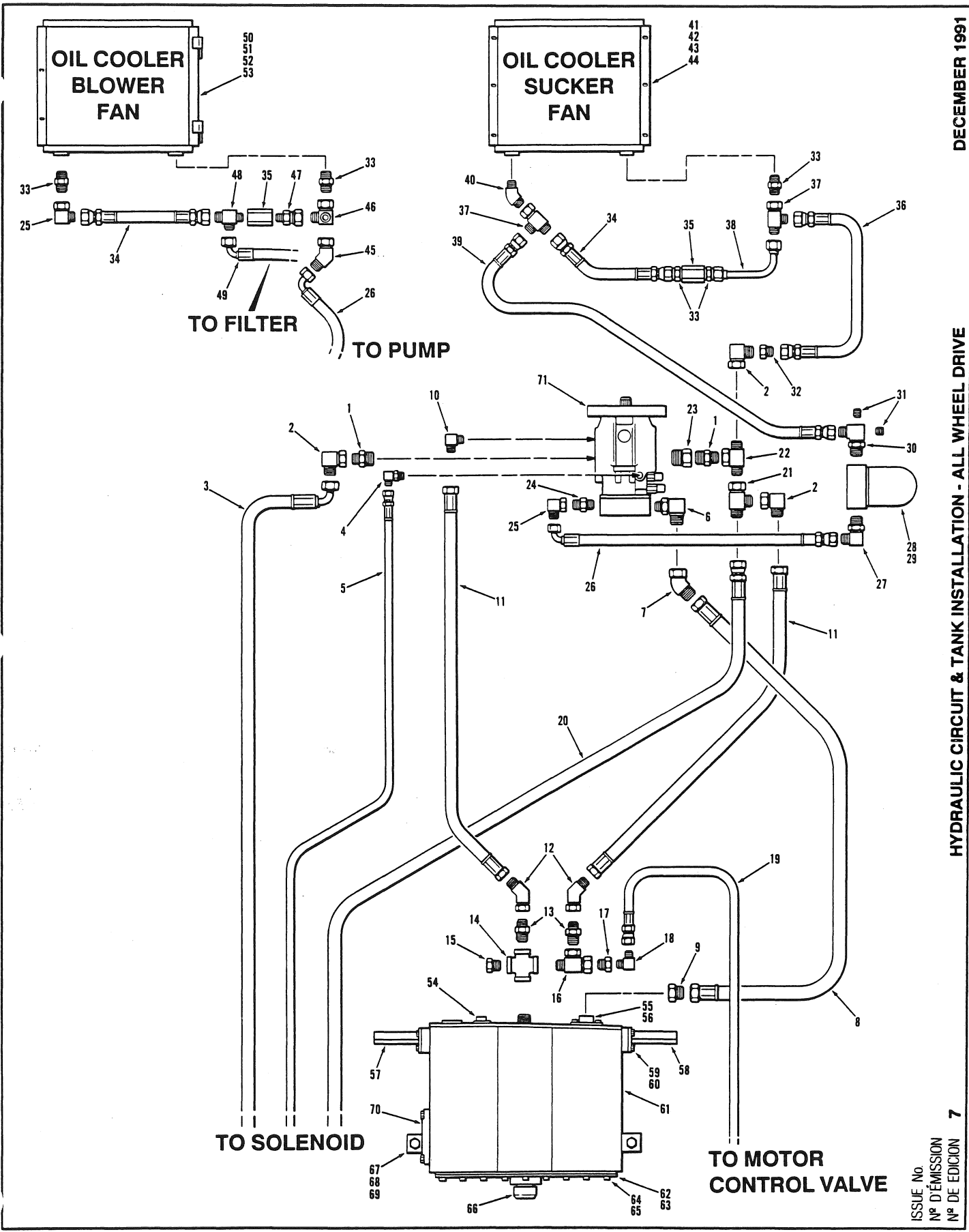
FOR LIST OF PARTS - TURN THIS PAGE

POUR LA LISTE DES PIÈCES - VOIR AU VERSO

PARA LA LISTA DE LAS PIEZAS - VER AL VERSO

USE ONLY CHAMPION ROAD MACHINERY APPROVED PARTS

SECTION 4		PAGE 34	ISSUE No. N° D'ÉMISSION N° DE EDICION	6 REVISION A	HYDRAULIC CIRCUIT & TANK INSTALLATION - ALL WHEEL DRIVE				JUNE 1991
No. N° N°	PART No. N° DE PIÈCE N° DE PIEZA	DESCRIPTION DÉSCRIPTION DESCRIPCION	No. REQ. N° REQ. N° REQ.	REMARKS REMARQUES NOTAS	No. N° N°	PART No. N° DE PIECE N° DE PIEZA	DESCRIPTION DÉSCRIPTION DESCRIPCION	No. REQ. N° REQ. N° REQ.	REMARKS REMARQUES NOTAS
1	14377 x 95	HOSE	2		43	30508	MOUNTING PAD	2	
2	28485 x 338	HOSE	1		44	30509	GASKET	1	
3	59087	CHECK VALVE	1		45	30517	SUCTION STRAINER ASSEMBLY	1	
4	110P-1008	CONNECTOR	1		46	30518	GASKET	1	
5	53042 x 42	HOSE	1		47	30519	COVER PLATE	1	
6	53041 x 38	HOSE	1		48	37055	MOUNTING PLATE - L.H.	1	} Repair Part
7	53042 x 30	HOSE	1		49	37056	MOUNTING PLATE - R.H.	1	
8	14384 x 96	HOSE	1		50	37554	FLUID LEVEL GAUGE	1	
9	9313 x 240	HOSE	1		51	56708	HYDRAULIC OIL TANK	1	
10	52927	COOLER	1		52	50A-0606	BOLT	21	
11	41951	FILTER - INCLUDES ITEM 18	1		53	50A-0608	BOLT	6	
12	42218 x 338	HOSE	1		54	14A-06	LOCKWASHER	25	
13	56220	TUBE	1		55	50A-0810	BOLT	4	
14	*53042 x 20	HOSE	1		56	14A-08	LOCKWASHER	4	
15	43491 x 338	HOSE	1		57	50A-1008	BOLT	2	
16	43708	CONNECTOR	1		58	14A-10	LOCKWASHER	2	
17	43709	CONNECTOR	1		59	115B-1208	CONNECTOR	1	
18	44419	FILTER ELEMENT	1						
19	44897	CONNECTOR	1		60		PUMP	REF.	Sect 4 Pg 3
20	110G-1616	CONNECTOR	1						
21	110AH-1012	CONNECTOR	1						
22	110R-0808	CONNECTOR	1						
23	110G-1008	CONNECTOR	4						
24	110G-1212	CONNECTOR	2						
25	112A-12	CONNECTOR	2						
26	111B-0404	CONNECTOR	1						
27	111B-1216	CONNECTOR	1						
28	111E-1010	CONNECTOR	1						
29	111E-1216	CONNECTOR	1						
30	111R-2016	REDUCER	1						
31	112A-16	CONNECTOR	1						
32	112B-10	ELBOW	2						
33	112B-12	ELBOW	2						
34	112C-10	TEE	2						
35	112C-12	TEE	1						
36	112D-12	TEE	1						
37	115B-1206	PIPE BUSHING	1						
38	115N-12	PIPE CROSS	1						
39	115V-1212	TEE	1						
40	115D-02	PIPE PLUG	2						
41	3614	MAGNETIC PLUG	1						
42	30504	FILTER & BREATHER CAP ASSEMBLY	1						



EFFECTIVE SERIAL NUMBER(S) 21796 & UP
 NUMERO(S) DE SÉRIE EFFECTIF(S)
 NUMERO(S) DE SERIE EFECTIVO(S)

700 SERIES
 SERIE 700

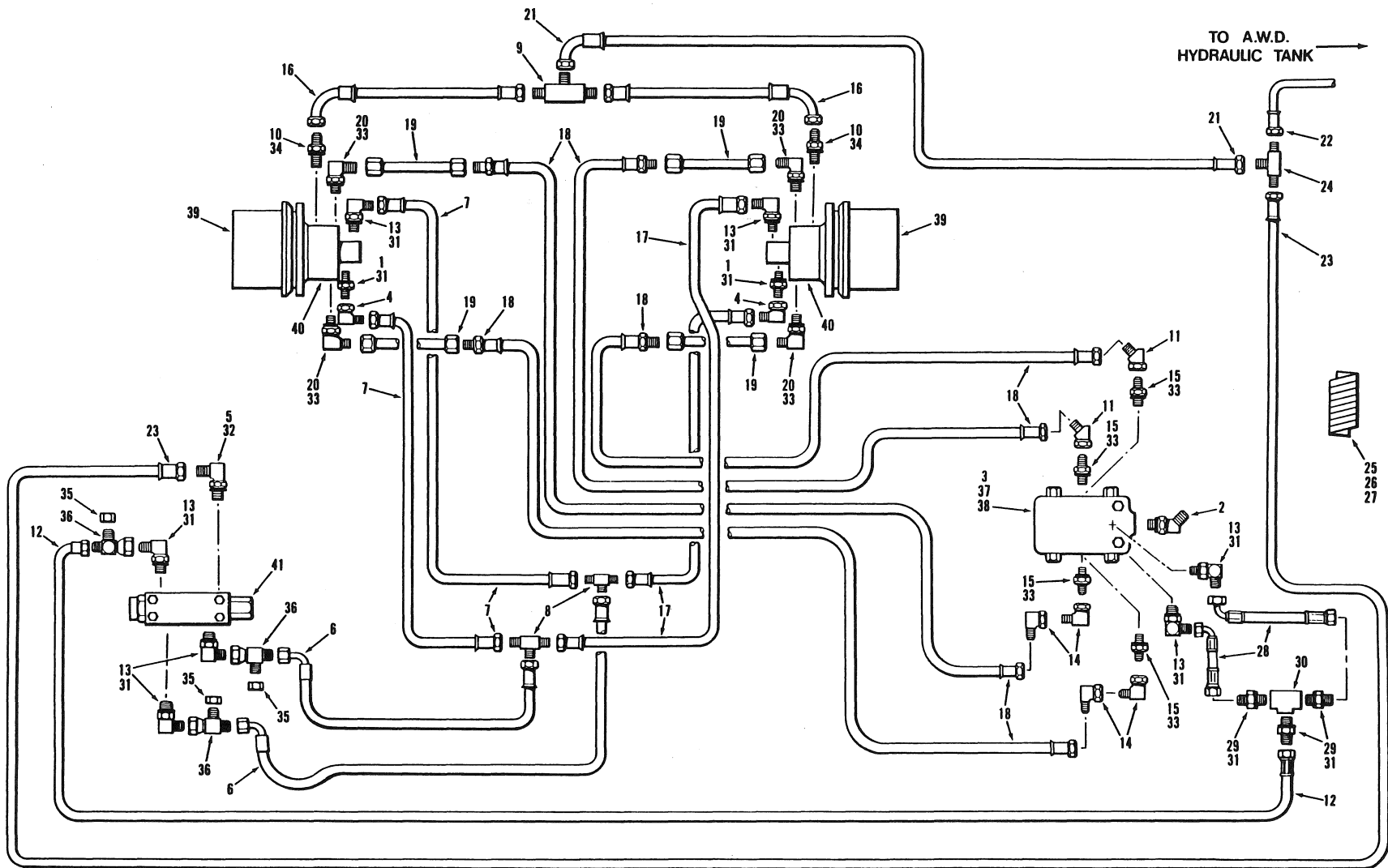
SECTION 4 PAGE 33
 SECCION 4 PAGINA 33

SECTION SECCION		PAGE PAGINA		ISSUE No. N° D'ÉMISSION N° DE EDICION		HYDRAULIC CIRCUIT & TANK INSTALLATION - ALL WHEEL DRIVE				DECEMBER 1991	
No. N°	PART No. N° DE PIÈCE N° DE PIEZA	DESCRIPTION DESCRIPTION DESCRIPCION	No. REQ. N° REQ. N° REQ.	REMARKS REMARQUES NOTAS	No. N°	PART No. N° DE PIECE N° DE PIEZA	DESCRIPTION DESCRIPTION DESCRIPCION	No. REQ. N° REQ. N° REQ.	REMARKS REMARQUES NOTAS		
1	11E-1216	CONNECTOR	2		45	112A-10	CONNECTOR	1			
2	112B-12	ELBOW	3		46	*65684	TEE	1			
3	4349 x 338	HOSE	1		47	*110AJ-1008	CONNECTOR	1			
4	111B-0404	CONNECTOR	1		48	*110AD-1008	TEE	1	} BLOWER FAN		
5	42218 x 338	HOSE	1		49	*53041 x 90	HOSE	1			
6	111B-1216	CONNECTOR	1		50	*57710	OIL COOLER	1			
7	112A-16	CONNECTOR	1		51	*50A-0508ZI	BOLT	2			
8	14384 x 96	HOSE	1		52	*14A-05ZI	LOCKWASHER	2			
9	110G-1616	CONNECTOR	1		53	*14C-05ZI	FLATWASHER	2			
10	44897	CONNECTOR	1								
11	14377 x 95	HOSE	2								
12	112A-12	CONNECTOR	2								
13	110G-1212	CONNECTOR	2								
14	115N-12	CROSS	1		54	3614	MAGNETIC PLUG	1			
15	115B-1206	CONNECTOR	1		55	30517	SUCTION STRAINER ASSEMBLY	1			
16	115V-1212	TEE	1		56	30518	GASKET	1			
17	115B-1208	CONNECTOR	1		57	37055	MOUNTING PLATE - L.H.	1	} REPAIR PART		
18	110R-0808	CONNECTOR	1		58	37056	MOUNTING PLATE - R.H.	1			
19	9313 x 240	HOSE	1		59	50A-0810	BOLT	4			
20	28485 x 338	HOSE	1		60	14A-08	LOCKWASHER	4			
21	112C-12	TEE	1		61	*56709	HYDRAULIC OIL TANK	1			
22	112D-12	TEE	1		62	30509	GASKET	1			
23	111R-2016	REDUCER	1		63	30519	COVER PLATE	1			
24	111E-1010	CONNECTOR	1		64	50A-0606	BOLT	21			
25	112B-10	ELBOW	1		65	14A-06	LOCKWASHER	21			
26	53041 x 38	HOSE	1	SUCKER FAN	66	30504	FILTER & BREATHER CAP ASSEMBLY	1			
			2	BLOWER FAN	67	30508	MOUNTING PAD	2			
			1	SUCKER FAN	68	50A-1008	BOLT	2			
			2	BLOWER FAN	69	14A-10	LOCKWASHER	2			
27	*111B-1012	CONNECTOR	1		70	37554	FLUID LEVEL GAUGE	1			
28	41951	FILTER - INCLUDES ITEM 29	1		71		PUMP	REF.	} Sect. 4 Pg. 3		
29	44419	FILTER ELEMENT	1								
30	*62112	CONNECTOR	1								
31	115D-02	PLUG	2								
32	110AH-1012	CONNECTOR	1								
33	110G-1008	CONNECTOR	2	BLOWER FAN							
			3	SUCKER FAN							
34	53042 x 20	HOSE	1								
35	59087	CHECK VALVE	1								
36	53042 x 30	HOSE	1								
37	112C-10	TEE	2								
38	*56620	TUBE	1								
39	53042 x 42	HOSE	1								
40	*111P-1008	CONNECTOR	1	SUCKER FAN							
41	*65358	OIL COOLER	1								
42	50A-0608ZI	BOLT	6								
43	14A-06ZI	LOCKWASHER	6								
44	14C-06ZI	FLATWASHER	6								

EFFECTIVE SERIAL NUMBERS) 16342 & UP
 NUMEROS) DE SÉRIE EFFECTIFS)
 NUMEROS) DE SERIE ECTIVOS)
 U.S. 2110-2 & UP

700 SERIES
 SERIE 700

SECTION 4 PAGE 35
 SECCION 4 PAGINA 35



USE ONLY CHAMPION ROAD MACHINERY APPROVED PARTS

ISSUE No.
 N° D'ÉMISSION
 N° DE EDICION 1 REVISION A

HYDRAULIC CIRCUIT - FORWARD SECTION - ALL WHEEL DRIVE

NOVEMBER 1985

FOR LIST OF PARTS - TURN THIS PAGE

POUR LA LISTE DES PIÈCES - VOIR AU VERSO

PARA LA LISTA DE LAS PIEZAS - VER AL VERSO

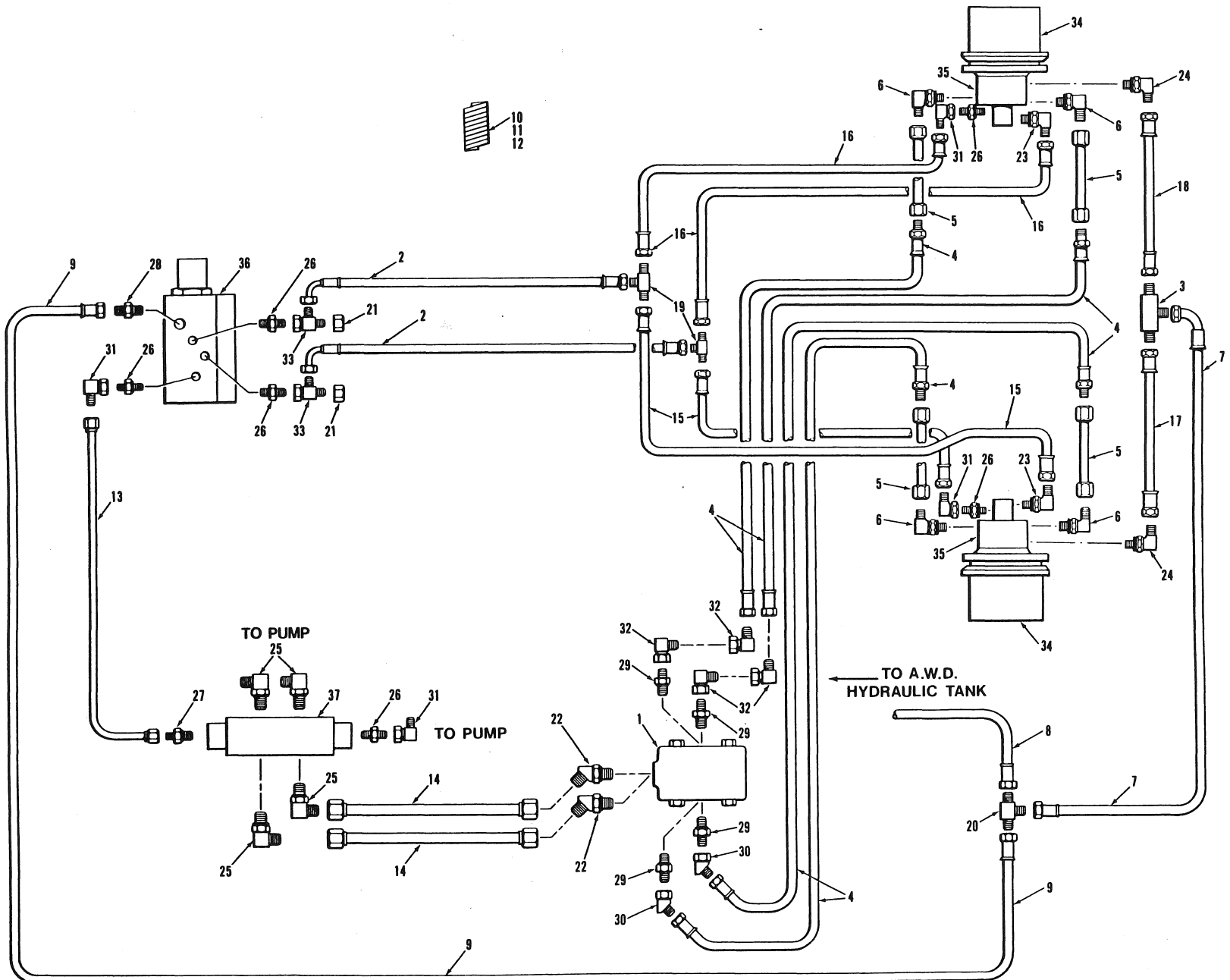
SECTION SECCION 4		PAGE PAGINA 36	ISSUE No. N° D'ÉMISSION N° DE EDICION	1 REVISION A	HYDRAULIC CIRCUIT - FORWARD SECTION - ALL WHEEL DRIVE				NOVEMBER 1985	
No. N° N°	PART No. N° DE PIÉCE N° DE PIEZA	DESCRIPTION DÉSCRIPTION DESCRIPCION	No. REQ. N° REQ. N° REQ.	REMARKS REMARQUES NOTAS	No. N° N°	PART No. N° DE PIÉCE N° DE PIEZA	DESCRIPTION DÉSCRIPTION DESCRIPCION	No. REQ. N° REQ. N° REQ.	REMARKS REMARQUES NOTAS	
1	30655	CONNECTOR	2							
2	30663	CONNECTOR	REF.	SECTION 4 PAGE 33/34						
3	30671	EQUATRACK VALVE	1							
4	30693	CONNECTOR	2							
5	30695	CONNECTOR	1							
6	30698	HOSE	2							
7	30699	HOSE	2							
8	30700	TEE	2							
9	30701	TEE	1							
10	30703	CONNECTOR	2							
11	30704	CONNECTOR	2							
12	30705	HOSE	1							
13	30708	CONNECTOR	7							
14	30709	CONNECTOR	4							
15	30710	CONNECTOR	4							
16	30711	HOSE	2							
17	30712	HOSE	2							
18	30714	HOSE	4							
19	30715	TUBE	4							
20	30716	CONNECTOR	4							
21	30717	HOSE	1							
22	30739	HOSE	1							
23	30740	HOSE	1							
24	30741	TEE	1							
25	30925*	HOSE WRAPPING - 3/4"	1							
26	30926*	HOSE WRAPPING - 1/2"	1							
27	30927*	HOSE WRAPPING - 1"	1							
28	30948	HOSE	2							
29	30949	CONNECTOR	3							
30	30950	TEE	1							
31	43463*	O RING	12							
32	43464*	O RING	1							
33	43465*	O RING	8							
34	43467*	O RING	2							
35	110E-04	CAP	3							
36	112C-04	TEE	3							
37	50A-0512	BOLT	2							
38	36H-05	LOCKNUT	2							
39		PLANETARY REDUCTION UNIT - ALL WHEEL DRIVE	REF.	SECTION 1 PAGE 5/6						
40		WHEEL MOTOR ASSEMBLY - ALL WHEEL DRIVE	REF.	SECTION 1 PAGE 7/8						
41		MOTOR CONTROL VALVE - ALL WHEEL DRIVE	REF.	SECTION 4 PAGE 27/28						

CHAMPION ROAD MACHINERY

EFFECTIVE SERIAL NUMBERS 16960 & UP
 NUMEROS DE SERIE EFFECTIFS
 NUMEROS DE SERIE EFFECTIVOS

700 SERIES
 SERIE 700

SECTION 4 PAGE 35
 SECTION 4 PAGINA 35



ISSUE No.
 N° D'ÉMISSION
 N° DE EDICION 2 REVISION A

HYDRAULIC CIRCUIT - FORWARD SECTION - ALL WHEEL DRIVE

NOVEMBER 1987

FOR LIST OF PARTS - TURN THIS PAGE

POUR LA LISTE DES PIÈCES - VOIR AU VERSO

PARA LA LISTA DE LAS PIEZAS - VER AL VERSO

USE ONLY CHAMPION ROAD MACHINERY APPROVED PARTS

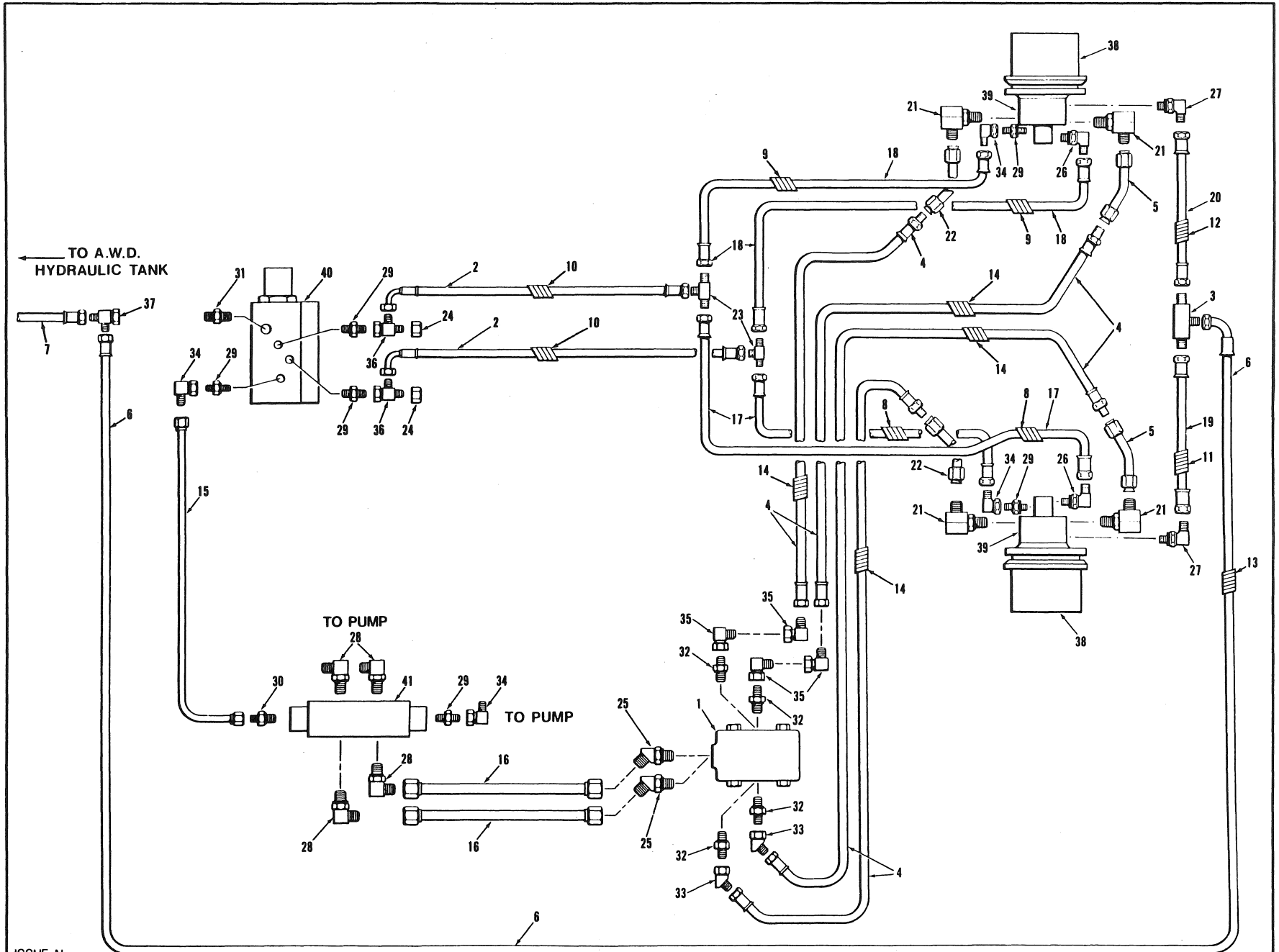
SECTION SECCION 4		PAGE PAGINA 36	ISSUE No. N° D'ÉMISSION N° DE EDICION	2 REVISION A	HYDRAULIC CIRCUIT - FORWARD SECTION - ALL WHEEL DRIVE			NOVEMBER 1987	
No. N° N°	PART No. N° DE PIÉCE N° DE PIEZA	DESCRIPTION DESCRIPTION DESCRIPCION	No. REQ. N° REQ. N° REQ.	REMARKS REMARQUES NOTAS	No. N° N°	PART No. N° DE PIÉCE N° DE PIEZA	DESCRIPTION DESCRIPTION DESCRIPCION	No. REQ. N° REQ. N° REQ.	REMARKS REMARQUES NOTAS
1	30671	EQUATRACK	1						
2	30698	HOSE	2						
3	30701	TEE	1						
4	30714	HOSE	4						
5	30715	TUBE	4						
6	30716	CONNECTOR	4						
7	30717	HOSE	1						
8	30739	HOSE	1						
9	*14382 X 12	HOSE	1						
10	30925 X 30	HOSE WRAPPING - 3/4"	1						
11	30926 X 45	HOSE WRAPPING - 1/2"	2						
12	30927 X 100	HOSE WRAPPING - 1"	1						
13	42190	TUBE	1						
14	42191	TUBE	2						
15	42193	HOSE	2						
16	42194	HOSE	2						
17	42195	HOSE	1						
18	42196	HOSE	1						
19	110AA-04	TEE	2						
20	110AA-08	TEE	1						
21	110E-04	CAP	2						
22	111A-1212	CONNECTOR	2						
23	111B-0404	CONNECTOR	2						
24	111B-0606	CONNECTOR	2						
25	111B-1212	CONNECTOR	4						
26	111E-0404	CONNECTOR	6						
27	*111E-0402	CONNECTOR	1						
28	111E-0808	CONNECTOR	1						
29	111E-0812	CONNECTOR	4						
30	112A-08	ELBOW	2						
31	112B-04	ELBOW	4						
32	112B-08	ELBOW	4						
33	112C-04	TEE	2						
34		PLANETARY REDUCTION UNIT - ALL WHEEL DRIVE	REF.	SECTION 1 PAGE 6					
35		WHEEL MOTOR ASSEMBLY - ALL WHEEL DRIVE	REF.	SECTION 1 PAGE 8					
36		MOTOR CONTROL VALVE - ALL WHEEL DRIVE	REF.	SECTION 4 PAGE 28					
37		SOLENOID VALVE - ALL WHEEL DRIVE	REF.	SECTION 4 PAGE 28					

EFFECTIVE SERIAL NUMBERS) 18878 & UP
 NUMEROS) DE SERIE EFFECTIFS)
 NUMEROS) DE SERIE EFFECTIVOS)

18878 & UP

700 SERIES
 SERIE 700

SECTION 4
 SECTION 4
 PAGE 35
 PAGINA 35



ISSUE No.
 N° D'ÉMISSION
 N° DE EDICION 3

HYDRAULIC CIRCUIT - FORWARD SECTION - ALL WHEEL DRIVE

AUGUST 1988

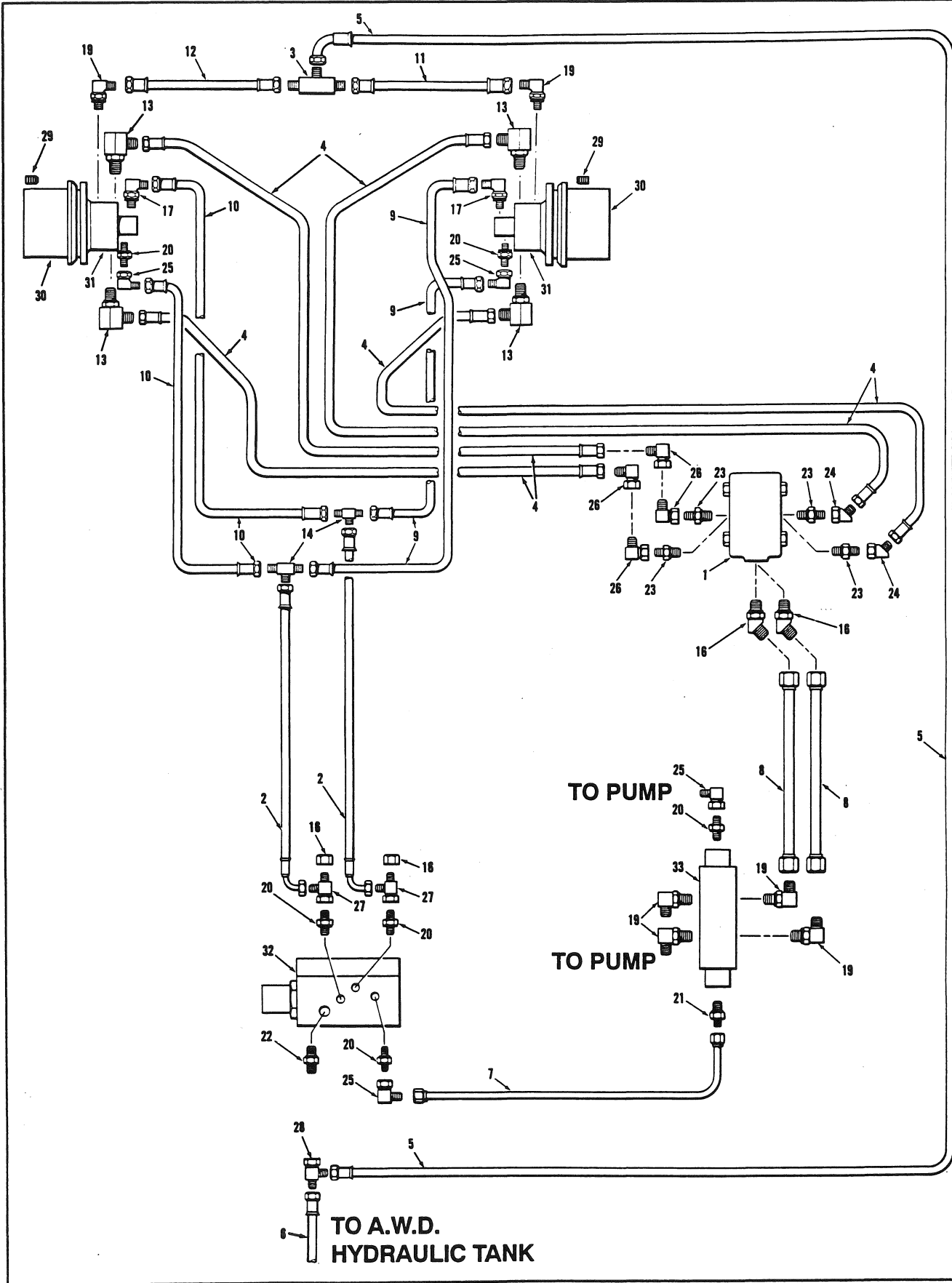
FOR LIST OF PARTS - TURN THIS PAGE

POUR LA LISTE DES PIÈCES - VOIR AU VERSO

PARA LA LISTA DE LAS PIEZAS - VER AL VERSO

USE ONLY CHAMPION ROAD MACHINERY APPROVED PARTS

SECTION SECCION 4		PAGE PAGINA 36	ISSUE No. N° D'ÉMISSION 3 N° DE EDICION	HYDRAULIC CIRCUIT - FORWARD SECTION - ALL WHEEL DRIVE				AUGUST 1988	
No. N° N°	PART No. N° DE PIÉCE N° DE PIEZA	DESCRIPTION DÉSCRIPTION DESCRIPCION	No. REQ. N° REQ. N° REQ.	REMARKS REMARQUES NOTAS	No. N° N°	PART No. N° DE PIECE N° DE PIEZA	DESCRIPTION DÉSCRIPTION DESCRIPCION	No. REQ. N° REQ. N° REQ.	REMARKS REMARQUES NOTAS
1	30671	EQUATRACK	1						
2	30698	HOSE	2						
3	30701	TEE	1						
4	30714	HOSE	4						
5	30715	TUBE	2						
6	30717	HOSE	1						
7	30739	HOSE	1						
8	*30925 X 39	HOSE WRAPPING - .38"	2						
9	*30925 X 63	HOSE WRAPPING - .38	2						
10	*30925 X 65	HOSE WRAPPING - .38"	2						
11	*30926 X 26	HOSE WRAPPING - .25"	1						
12	*30926 X 52	HOSE WRAPPING - .25	1						
13	*30927 X 48	HOSE WRAPPING - .50"	1						
14	*30927 X 88	HOSE WRAPPING - .50"	4						
15	42190	TUBE	1						
16	42191	TUBE	2						
17	42193	HOSE	2						
18	42194	HOSE	2						
19	42195	HOSE	1						
20	42196	HOSE	1						
21	*49291	CONNECTOR	4						
22	*49311	TUBE	2						
23	110AA-04	TEE	2						
24	110E-04	CAP	2						
25	111A-1212	CONNECTOR	2						
26	111B-0404	CONNECTOR	2						
27	111B-0606	CONNECTOR	2						
28	111B-1212	CONNECTOR	4						
29	111E-0404	CONNECTOR	6						
30	111E-0402	CONNECTOR	1						
31	111E-0808	CONNECTOR	1						
32	111E-0812	CONNECTOR	4						
33	112A-08	ELBOW	2						
34	112B-04	ELBOW	4						
35	112B-08	ELBOW	4						
36	112C-04	TEE	2						
37	*112C-08	TEE	1						
38		PLANETARY REDUCTION UNIT - ALL WHEEL DRIVE	REF.	SECTION 1 PAGE 6					
39		WHEEL MOTOR ASSEMBLY - ALL WHEEL DRIVE	REF.	SECTION 1 PAGE 8					
40		MOTOR CONTROL VALVE - ALL WHEEL DRIVE	REF.	SECTION 4 PAGE 28					
41		SOLENOID VALVE - ALL WHEEL DRIVE	REF.	SECTION 4 PAGE 28					



FOR LIST OF PARTS - TURN THIS PAGE
 POUR LA LISTE DES PIÈCES - VOIR AU VERSO
 PARA LA LISTA DE LAS PIEZAS - VER AL VERSO

ISSUE No.
 N° D'ÉMISSION
 N° DE EDICION

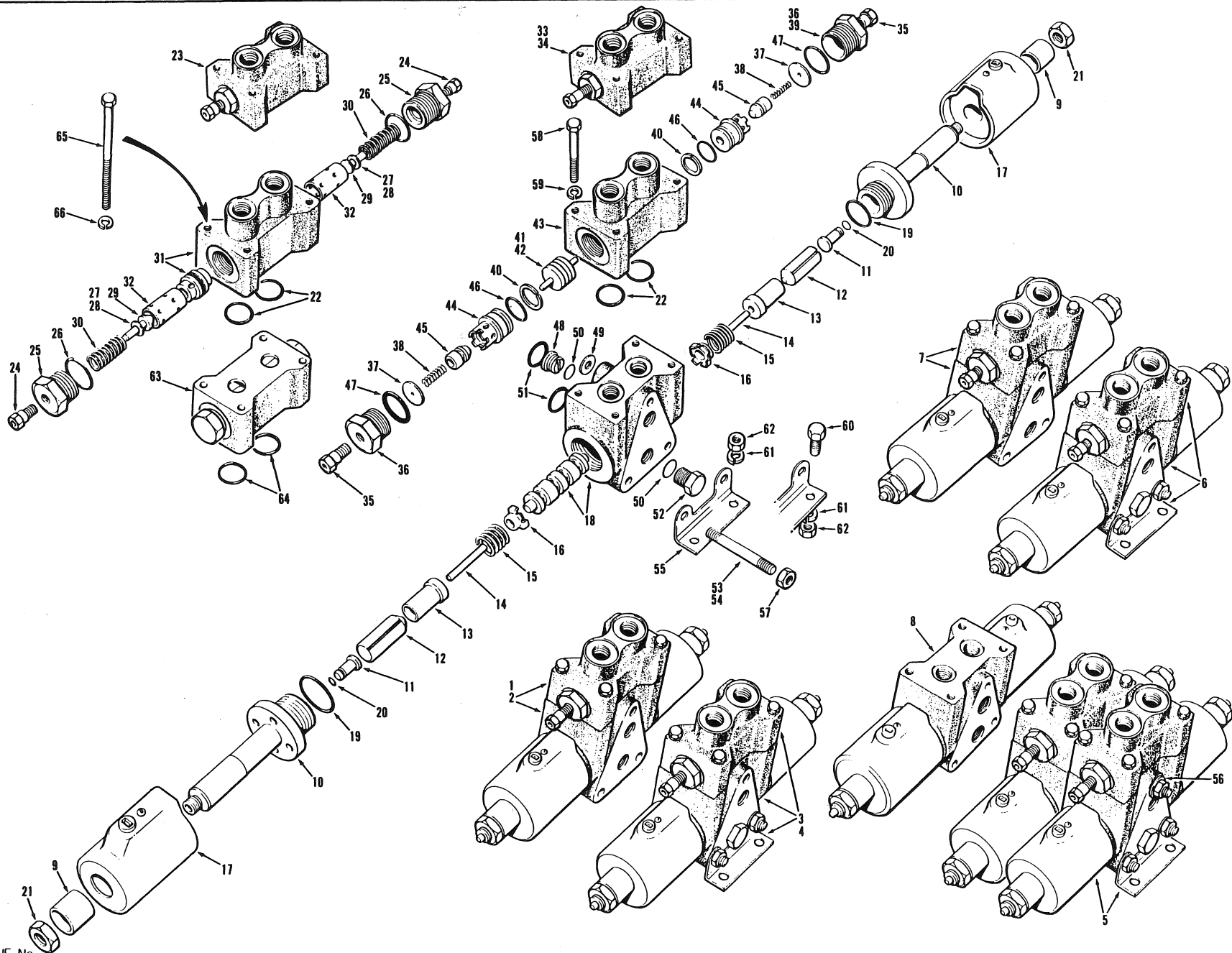
EFFECTIVE SERIAL NUMBER(S)
 NUMERO(S) DE SÉRIE EFFECTIF(S)
 NUMERO(S) DE SERIE EFFECTIVO(S)

20893 & UP

700 SERIES
 SERIE 700

SECTION 4 PAGE 35
 SECCION 4 PAGINA 35

SECTION SECCION		PAGE PAGINA		ISSUE No. N° D'ÉMISSION N° DE EDICION		4 REVISION A		HYDRAULIC CIRCUIT - FORWARD SECTION - ALL WHEEL DRIVE			FEBRUARY 1992	
No. N° N°	PART No. N° DE PIÉCE N° DE PIEZA	DESCRIPTION DÉSCRIPTION DESCRIPCION		No. REQ. N° REQ. N° REQ.	REMARKS REMARQUES NOTAS	No. N° N°	PART No. N° DE PIÉCE N° DE PIEZA	DESCRIPTION DÉSCRIPTION DESCRIPCION		No. REQ. N° REQ. N° REQ.	REMARKS REMARQUES NOTAS	
1	30671	EQUATRACK		1								
2	59085	HOSE		2								
3	30701	TEE		1								
4	59008	HOSE		4								
5	59086	HOSE		1								
6	9313 x 240	HOSE		1								
7	42190	TUBE		1								
8	42191	TUBE		2								
9	59009	HOSE		2								
10	59010	HOSE		2								
11	59011 x 52	HOSE		1								
12	59011 x 26	HOSE		1								
13	49291	CONNECTOR		4								
14	110AA-04	TEE		2								
15	110E-04	CAP		2								
16	111A-1212	CONNECTOR		2								
17	111B-0404	CONNECTOR		2								
18	111B-0606	CONNECTOR		2								
19	111B-1212	CONNECTOR		4								
20	111E-0404	CONNECTOR		6								
21	111E-0402	CONNECTOR		1								
22	111E-0808	CONNECTOR		1								
23	111E-0812	CONNECTOR		4								
24	112A-08	ELBOW		2								
25	112B-04	ELBOW		4								
26	112B-08	ELBOW		4								
27	112C-04	TEE		2								
28	112C-08	TEE		1								
29	115D-01	PLUG		2								
30		PLANETARY REDUCTION UNIT - ALL WHEEL DRIVE		Ref.	Sect 1 Pg 5							
31		WHEEL MOTOR ASSEMBLY - ALL WHEEL DRIVE		Ref.	Sect 1 Pg 7							
32		MOTOR CONTROL VALVE - ALL WHEEL DRIVE		Ref.	Sect 4 Pg 27							
33		SOLENOID VALVE - ALL WHEEL DRIVE		Ref.	Sect 4 Pg 27							



ISSUE No.
 N° D'ÉMISSION
 N° DE EDICION I REVISION A

SOLENOID VALVE - ARTICULATION & ATTACHMENTS

MAY 1987

FOR LIST OF PARTS - TURN THIS PAGE

POUR LA LISTE DES PIÈCES - VOIR AU VERSO

PARA LA LISTA DE LAS PIEZAS - VER AL VERSO

U.S. 2021-2 & UP

NUMEROS) DE SERIE EFFECTIFS)
 NUMEROS) DE SERIE EFFECTIVOS)

16224, 16245 & UP

700 SERIES
 SERIE 700

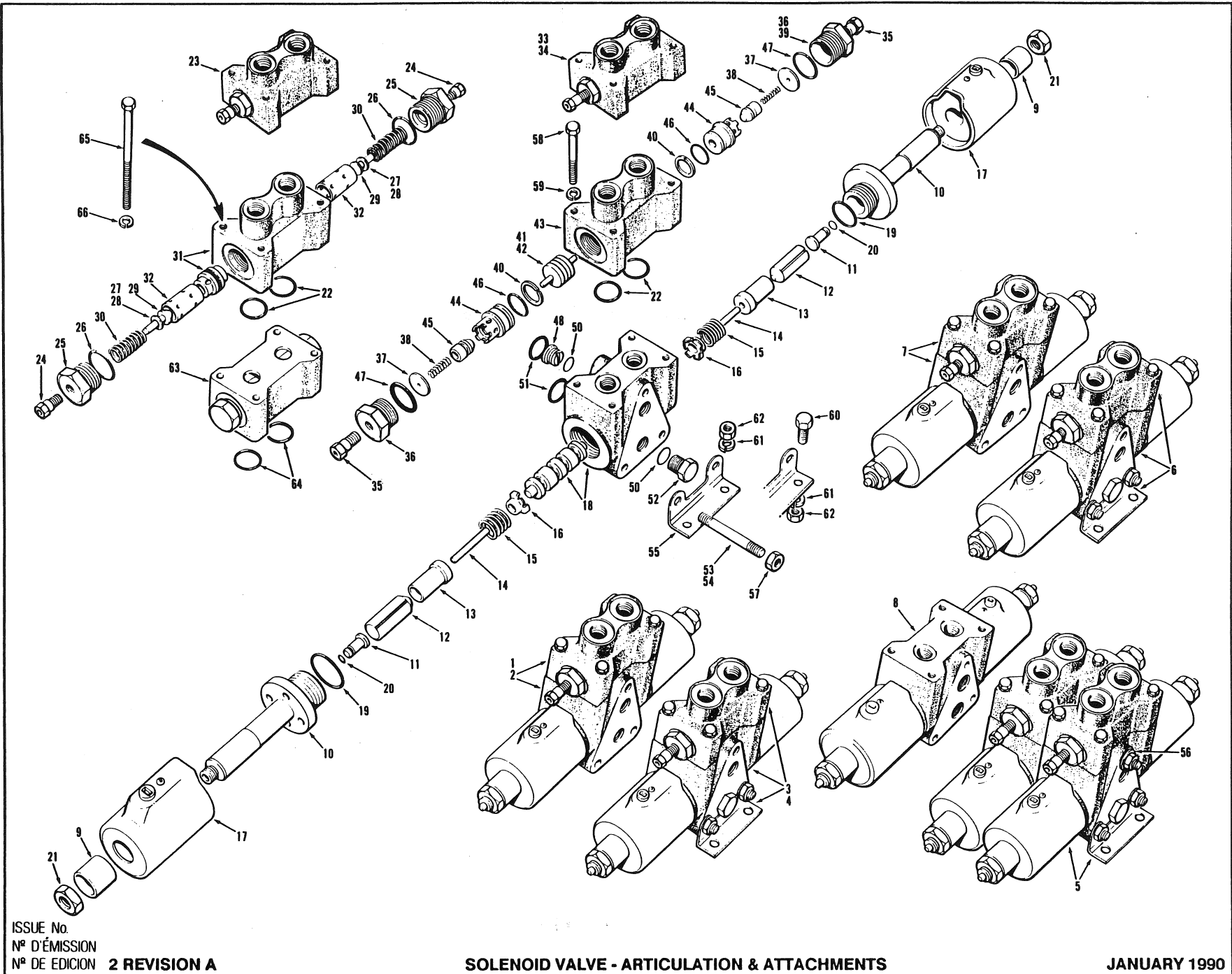
SECTION
 SECCION

4

PAGE
 PAGINA
 37

USE ONLY  CHAMPION APPROVED PARTS

SECTION SECCION 4		PAGE PAGINA 38	ISSUE No. N° D'ÉMISSION N° DE EDICION	1 REVISION A	SOLENOID VALVE - ARTICULATION & ATTACHMENTS			MAY 1987	
No. N° N°	PART No. N° DE PIÉCE N° DE PIEZA	DESCRIPTION DÉSCRIPTION DESCRIPCION	No. REQ. N° REQ. N° REQ.	REMARKS REMARQUES NOTAS	No. N° N°	PART No. N° DE PIÉCE N° DE PIEZA	DESCRIPTION DÉSCRIPTION DESCRIPCION	No. REQ. N° REQ. N° REQ.	REMARKS REMARQUES NOTAS
1	32616	SOLENOID VALVE ASSY. - C/W LOCK & THERMAL RELIEF - CONSISTS OF ITEMS 8 & 33	A.R.	ARTIC'N 710A	29	36305	POPPET	2	
					30	36306	SPRING	2	
					31	36307	BODY - SUB ASSY. - INCLUDES BODY, O-RING, SEAT & 2 BACK-UP RINGS	1	
2	32617	SOLENOID VALVE ASSY. - C/W LOCK & THERMAL RELIEF - CONSISTS OF ITEMS 8 & 34	A.R.	ATTACHMENTS	32	36309	STOP	2	
3	32618	SINGLE BANK SOLENOID VALVE ASSY. - C/W LOCK, THERMAL RELIEF & BANKING KIT - CONSISTS OF ITEM 1 & 18850 BANKING KIT	A.R.	ARTIC'N 710A	33	32661	LOCK VALVE & THERMAL RELIEF ASSY. - (THERMAL RELIEF BOTH ENDS) - INCLUDES ITEMS 35 TO 36, 40, 41 & 43 TO 47	1	ARTIC'N 710A
4	32619	SINGLE BANK SOLENOID VALVE ASSY. - C/W LOCK, THERMAL RELIEF & BANKING KIT - CONSISTS OF ITEM 2 & 18850 BANKING KIT	A.R.	ATTACHMENTS	34	32662	LOCK VALVE & THERMAL RELIEF ASSY. - (THERMAL RELIEF ONE END ONLY) - INCLUDES ITEMS 35 TO 40 & 42 TO 47	1	ATTACHMENTS
					35	24915	THERMAL RELIEF	1or2	
					36	24916	PLUG - DRILLED	1or2	
5	32620	DOUBLE BANK SOLENOID VALVE ASSY. - C/W LOCK, THERMAL RELIEF & BANKING KIT - CONSISTS OF 2 OF ITEM 2 & 1 OF 17839 BANKING KIT	A.R.	ATTACHMENTS	37	24918	WASHER	2	
					38	24919	SPRING	2	
					39	24921	PLUG	1	ATTACHMENTS
					40	24924	BACK-UP RING	2	
					41	32614	SHUTTLE SPOOL	1	ARTIC'N
6	*44274	SINGLE BANK SOLENOID VALVE ASSY. - C/W CROSS OVER, THERMAL RELIEF, BANKING KIT & 44273 LOCKVALVE KIT - CONSISTS OF ITEMS 7, 63 & 18850 BANKING KIT	A.R.	ARTIC'N 720A THRU 780A	42	32615	SHUTTLE SPOOL	1	ATTACHMENTS
					43		BODY	1	
					44		CAGE	2	
					45		CHECK	2	
					46	12A-016	O RING	2	
					47	12A-216	O RING	2	
							<u>BANKING KITS</u>		
8	17838	SOLENOID VALVE ASSY. - ITEMS 9 TO 21	1			17839	DOUBLE BANKING KIT - INCLUDES 48 TO 53 & 55 TO 57	A.R.	
9	18834	SLEEVE	2			18850	SINGLE BANKING KIT - INCLUDES ITEMS 50, 52, 54, 55 & 57	A.R.	
10	18835	TUBE ASSY.	2						
11	18836	STANDARD FLUSH BUTTON	2						
12	18837	PLUNGER	2		48	17841	SERIES PLUG	1	
13	18838	PLUG	2		49	18843	SHIM - MYLAR	3	
14	18839	PIN	2		50	12A-114	O RING	2or3	
15	18840	SPRING	2		51	12A-118	O RING	2	
16	18841	SPRING RETAINER	2		52	111H-08	PLUG	2	
17	18844	SOLENOID COIL	2		53		TIE ROD	3	DOUBLE
18		SPOOL & BODY - MATCHED SET	1	NOT AVAILABLE	54		TIE ROD	2	SINGLE
19		O RING	2	SEPARATELY	55		FOOT	2	
20	12A-008	O RING	2		56	14C-05	FLATWASHER	2	
21	31D-10	NUT	2		57	30A-05	NUT	4or6	
22	12A-118	O RING	2		58	50A-0518	BOLT	4	
23	35099	CROSSOVER RELIEF VALVE - ITEMS 24 TO 32	1		59	14A-05	LOCKWASHER	4	
24	24915	THERMAL RELIEF	2		60	50A-0610	BOLT	4	
25	36301	PLUG	2		61	14A-06	LOCKWASHER	4	
26	36302	O RING	2		62	30A-06	NUT	4	
27	36303	SHIM	A.R.			*44273	LOCKVALVE KIT - C/W ITEMS 63, 64, 65 & 66	A.R.	
28	36304	SHIM	A.R.		63		LOCKVALVE - NOT SOLD SEPARATELY	1	
	18845	O RING SEAL KIT - USE WITH ITEM 8			64	12A-118	O RING	4	
					65	*50A-0530	BOLT	4	
					66	14A-05	LOCKWASHER	4	



EFFECTIVE SERIAL NUMBERS) 19982, 19984, 19985, 19986, 19996
 NUMEROS) DE SÉRIE EFFECTIFS) 20005, 20104, 20106, 20120
 NUMEROS) DE SERIE EFECTIVOS) & UP

700 SERIES
 SERIE 700

SECTION 4 PAGE 37
 SECCION 4 PAGINA 37

ISSUE No. 2 REVISION A
 N° D'ÉMISSION
 N° DE EDICION

SOLENOID VALVE - ARTICULATION & ATTACHMENTS

JANUARY 1990

FOR LIST OF PARTS - TURN THIS PAGE

POUR LA LISTE DES PIÈCES - VOIR AU VERSO

PARA LA LISTA DE LAS PIEZAS - VER AL VERSO

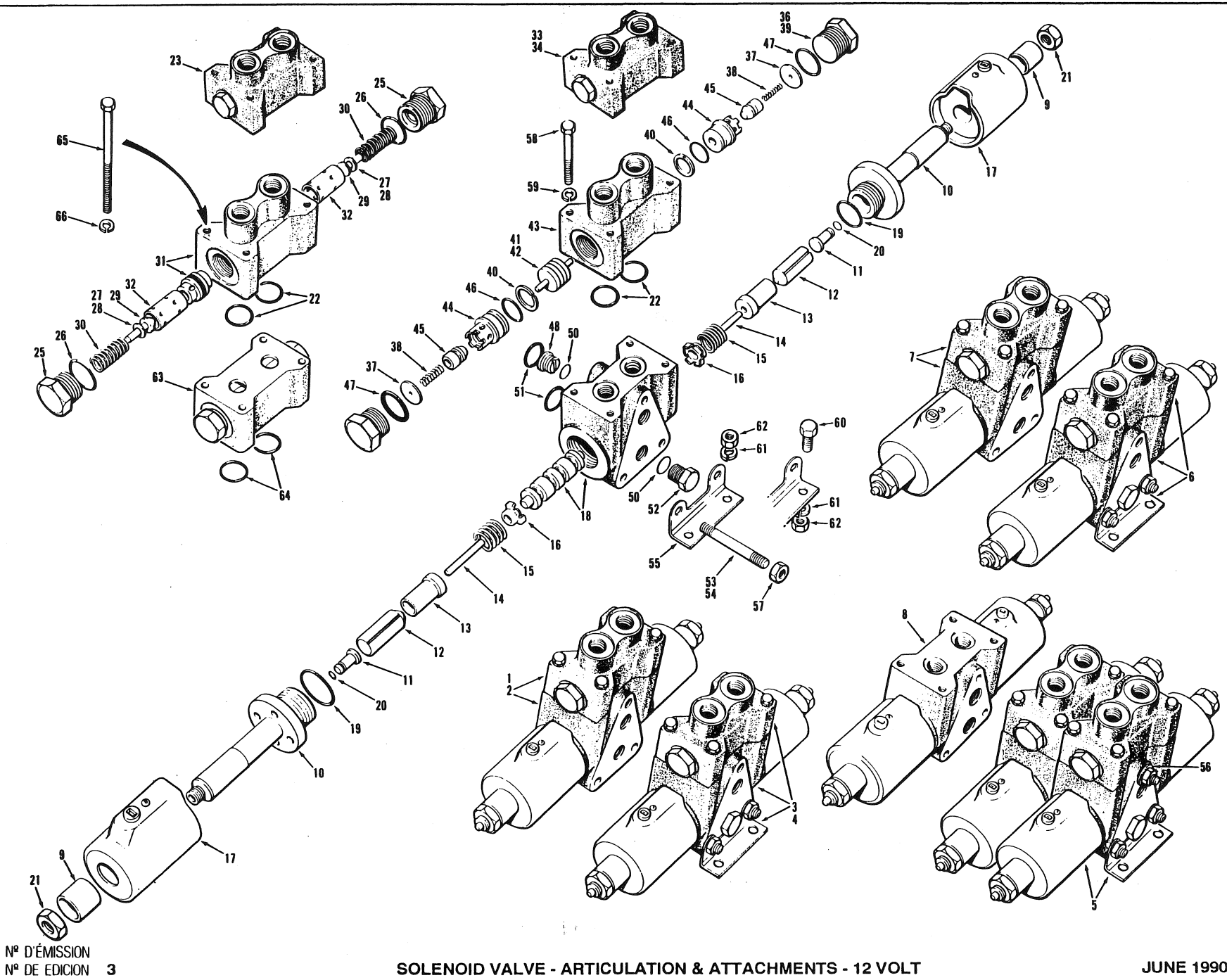
USE ONLY CHAMPION ROAD MACHINERY APPROVED PARTS

SECTION SECCION		PAGE PAGINA		ISSUE No. N° D'ÉMISSION N° DE EDICION		2 REVISION A		SOLENOID VALVE - ARTICULATION & ATTACHMENTS			JANUARY 1990	
No. N° N°	PART No. N° DE PIÉCE N° DE PIEZA	DESCRIPTION DÉSCRIPTION DESCRIPCION	No. REQ N° REQ. N° REQ.	REMARKS REMARQUES NOTAS	No. N° N°	PART No. N° DE PIÉCE N° DE PIEZA	DESCRIPTION DÉSCRIPTION DESCRIPCION	No. REQ N° REQ. N° REQ.	REMARKS REMARQUES NOTAS			
1	*56230	SOLENOID VALVE ASSEMBLY - C/W LOCK & THERMAL RELIEF - CONSISTS OF ITEMS 8 & 33	A.R.	710A	34		LOCK VALVE & THERMAL RELIEF ASSEMBLY (THERMAL RELIEF ONE END ONLY) - INCLUDES ITEMS 35 TO 40 & 42 TO 47	1	Attachments			
2	53560	SOLENOID VALVE ASSEMBLY - C/W LOCK & THERMAL RELIEF - CONSISTS OF ITEMS 8 & 34	A.R.	Attachments	35	34915	THERMAL RELIEF	1 or 2				
3	53541	SINGLE BANK SOLENOID VALVE ASSEMBLY - C/W LOCK, THERMAL RELIEF & BANKING KIT - CONSISTS OF ITEM 1 & 54244 BANKING KIT	A.R.	710A	36	24916	PLUG - DRILLED	1 or 2				
4	*53913	SINGLE BANK SOLENOID VALVE ASSEMBLY - C/W LOCK THERMAL RELIEF & BANKING KIT - CONSISTS OF ITEM 2 & 54244 BANKING KIT	A.R.	Attachments	37	24918	WASHER	2				
5	*53914	DOUBLE BANK SOLENOID VALVE ASSEMBLY - C/W LOCK, THERMAL RELIEF & BANKING KIT - CONSISTS OF ITEMS 2 & 1 OF 54243 BANKING KIT	A.R.	Attachments	38	24919	SPRING	2				
6	53540	SINGLE BANK SOLENOID VALVE ASSEMBLY - C/W CROSS OVER, THERMAL RELIEF, BANKING KIT & 44273 LOCK VALVE KIT - CONSISTS OF ITEMS 7, 63 & 18850 BANKING KIT	A.R.	720A thru 780A	39	24921	PLUG	1	Attachments			
7	*56231	SOLENOID VALVE ASSEMBLY - C/W CROSS OVER & THERMAL RELIEF - CONSISTS OF ITEMS 8 & 23	A.R.	720A thru 780A	40	24924	BACK-UP RING	2				
8	*56166	SOLENOID VALVE ASSEMBLY - ITEMS 9 TO 21	1		41	32614	SHUTTLE SPOOL	1	Artic'n			
9	18834	SLEEVE	2		42	32615	SHUTTLE SPOOL	1	Attachments			
10	18835	TUBE ASSEMBLY	2		43		BODY - NOT AVAILABLE SEPARATELY	1				
11	18836	STANDARD FLUSH BUTTON	2		44	48861	CAGE	2				
12	18837	PLUNGER	2		45	48862	CHECK	2				
13	18838	PLUG	2		46	12A-016	O RING	2				
14	18839	PIN	2		47	12A-216	O RING	2				
15	18840	SPRING	2				BANKING KITS					
16	18841	SPRING RETAINER	2			*54243	DOUBLE BANKING KIT - INCLUDES 48 TO 53 & 55 TO 57	A.R.				
17	18844	SOLENOID COIL	1			*54244	SINGLE BANKING KIT - INCLUDES ITEMS 50, 52, 54, 55 & 57	A.R.				
18		SPOOL & BODY - MATCHED SET	1		48	*56229	SERIES PLUG	1				
19	12A-124	O-RING	2		50	*12A-116	O RING	2 or 3				
20	12A-008	O-RING	2		51	*12A-121	O RING	2				
21	31D-10	NUT	2		52	111H-10	PLUG	2				
22	12A-118	O RING	2		53		TIE ROD	3	DOUBLE			
23	35099	CROSSOVER RELIEF VALVE - ITEMS 24 TO 32	1		54		TIE ROD	2	SINGLE			
24	24915	THERMAL RELIEF	2		55		FOOT	2				
25	36301	PLUG	2		56	14C-05	FLATWASHER	2				
26	36302	O RING	2		57	30A-05	NUT	4 or 6				
27	36303	SHIM	A.R.		58	50A-0518	BOLT	4				
28	36304	SHIM	A.R.		59	14A-05	LOCKWASHER	4				
29	18845	O RING SEAL KIT - USE WITH ITEM 8			60	50A-0610	BOLT	4				
30	36305	POPPET	2		61	14A-06	LOCKWASHER	4				
31	36306	SPRING	2		62	30A-06	NUT	4				
32	36307	BODY - SUB ASSEMBLY - INCLUDES BODY, O RING, SEAT & 2 BACK-UP RINGS	1			44273	LOCKVALVE KIT - C/W ITEMS 63, 64, 65 & 66	A.R.				
33	36309	STOP	2		63		LOCKVALVE- NOT SOLD SEPARATELY	1				
	32661	LOCK VALVE & THERMAL RELIEF ASSEMBLY (THERMAL RELIEF BOTH ENDS) - INCLUDES ITEMS 35 TO 38, 40, 41 & 43 TO 47	1	710A	64	12A-118	O RING	4				
					65	50A-0530	BOLT	4				
					66	14A-05	LOCKWASHER	4				

EFFECTIVE SERIAL NUMBERS) 20719 & UP
 NUMEROSI DE SÉRIE EFECTIVOS) EXCLUYENDO 20731
 NUMEROSI DE SERIE EFECTIVOS)

700 SERIES
 SERIE 700

SECTION 4 PAGE 37
 SECCION 4 PAGINA 37



Nº D'ÉMISSION 3
 Nº DE EDICION 3

SOLENOID VALVE - ARTICULATION & ATTACHMENTS - 12 VOLT

JUNE 1990

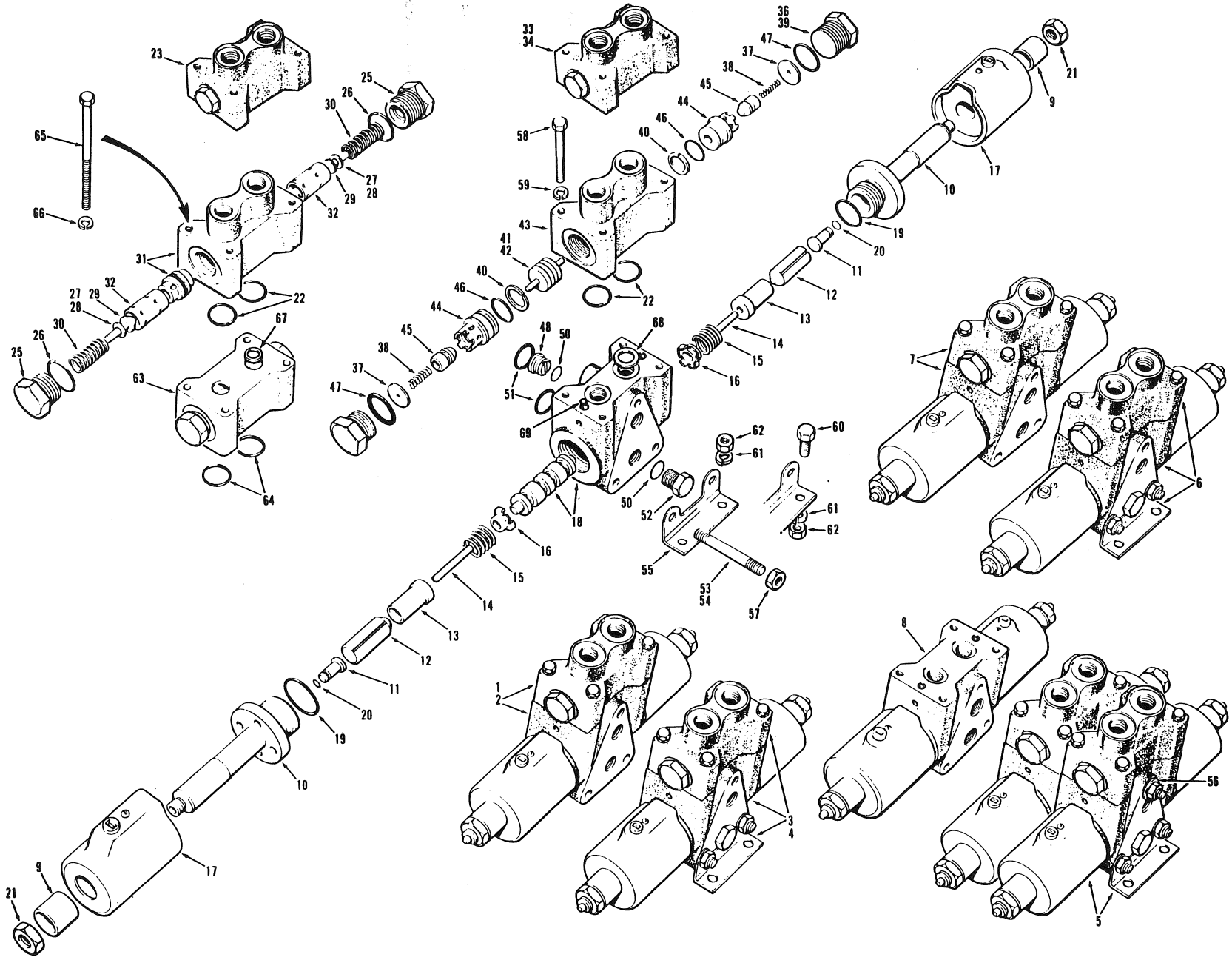
FOR LIST OF PARTS - TURN THIS PAGE

POUR LA LISTE DES PIÈCES - VOIR AU VERSO

PARA LA LISTA DE LAS PIEZAS - VER AL VERSO

USE ONLY CHAMPION ROAD MACHINERY APPROVED PARTS

SECTION SECCION		PAGE PAGINA		ISSUE No. N° D'ÉMISSION N° DE EDICION		SOLENOID VALVE - ARTICULATION & ATTACHMENTS - 12 VOLT				JUNE 1990	
No. N° N°	PART No. N° DE PIÈCE N° DE PIEZA	DESCRIPTION DÉSCRIPTION DESCRIPCION	No. REQ. N° REQ. N° REQ.	REMARKS REMARQUES NOTAS	No. N° N°	PART No. N° DE PIÈCE N° DE PIEZA	DESCRIPTION DÉSCRIPTION DESCRIPCION	No. REQ. N° REQ. N° REQ.	REMARKS REMARQUES NOTAS		
1	*58121	SOLENOID VALVE ASSEMBLY - C/W LOCK & THERMAL RELIEF - CONSISTS OF ITEMS 8 & 33	1	710A	34	*56171	LOCK VALVE & INTERNAL THERMAL RELIEF ASSEMBLY - INCLUDES ITEMS 36 to 40 & 42 to 47	1	Attachments		
2	*55032	SOLENOID VALVE ASSEMBLY - C/W LOCK & THERMAL RELIEF - CONSISTS OF ITEMS 8 & 34	1	Attachments	36		PLUG	1 or 2			
3	*55030	SINGLE BANK SOLENOID VALVE ASSEMBLY - C/W LOCK, THERMAL RELIEF & BANK KIT - CONSISTS OF ITEM 1 & 54244 SINGLE BANK KIT	1	710A	37	24918	WASHER	2			
4	*55033	SINGLE BANK SOLENOID VALVE ASSEMBLY - C/W LOCK THERMAL RELIEF & BANK KIT - CONSISTS OF ITEM 2 & 54244 SINGLE BANK KIT	1	Attachments	38	24919	SPRING	2			
5	*55034	DOUBLE BANK SOLENOID VALVE ASSEMBLY - C/W LOCK, THERMAL RELIEF & BANK KIT - CONSISTS OF ITEMS 2 & 1 OF 54243 DOUBLE BANK KIT	1	Attachments	39		PLUG	1	Attachments		
6	*55031	SINGLE BANK SOLENOID VALVE ASSEMBLY - C/W CROSS OVER, THERMAL RELIEF, BANK KIT & 56169 LOCK VALVE KIT - CONSISTS OF ITEMS 7, 63 & 54244 SINGLE BANK KIT	1.	720A thru 780A	40	24924	BACK-UP RING	2			
7	*58122	SOLENOID VALVE ASSEMBLY - C/W CROSS OVER & THERMAL RELIEF - CONSISTS OF ITEMS 8 & 23	1	720A thru 780A	41	32614	SHUTTLE SPOOL - SMALL	1	Articulation		
8	*56167 18845	SOLENOID VALVE ASSEMBLY - ITEMS 9 to 21 O RING SEAL KIT FOR 56167 - VALVE ASSEMBLY	1		42	32615	SHUTTLE SPOOL - LARGE	1	Attachments		
9	18834	SLEEVE	2		43		BODY - NOT AVAILABLE SEPARATELY.	1			
10	18835	TUBE ASSEMBLY	2		44	48861	CAGE	2			
11	18836	STANDARD FLUSH BUTTON	2		45	48862	CHECK	2			
12	18837	PLUNGER	2		46	12A-016	O RING	2			
13	18838	PLUG	2		47	*116A-10	O RING	2			
14	18839	PIN	2				BANKING KITS				
15	18840	SPRING	2			54244	SINGLE BANK KIT - INCLUDES ITEMS 50, 52, 54, 55 to 57	1			
16	18841	SPRING RETAINER	2			54243	DOUBLE BANK KIT - INCLUDES ITEMS 48 to 53 & 55 to 57 USED WHEN CONNECTING TWO VALVES IN SERIES	1			
17	18844	SOLENOID COIL - 12 VOLT	1		48	56229	SERIES PLUG	1			
18		SPOOL & BODY - MATCHED SET - NOT AVAILABLE SEPARATELY	1		50	12A-116	O RING	2 or 3			
19	12A-124	O RING	2		51	12A-121	O RING	2			
20	12A-008	O RING	2		52	111H-10	PLUG	2			
21	31D-10	NUT	2		53		TIE ROD	3	Double Bank		
22	12A-118	O RING	2		54		TIE ROD	2	Single Bank		
23	*56170	CROSSOVER RELIEF VALVE -INCLUDES ITEMS 25 to 32	1		55		FOOT	2			
24		PLUG	2		56	14C-05	FLATWASHER	2			
25			2		57	30A-05	NUT	4 or 6			
26	*116A-10	O RING	2		58	50A-0518	BOLT	4			
27	36303	SHIM	2		59	14A-05	LOCKWASHER	4			
28	36304	SHIM	2		60	50A-0610	BOLT	4			
29	36305	POPPET	2		61	14A-06	LOCKWASHER	4			
30	36306	SPRING	2		62	30A-06	NUT	4			
31	*58123	BODY - SUB ASSEMBLY - INCLUDES BODY, O RING, SEAT & 2 BACK-UP RINGS	1			*56169	LOCK VALVE KIT - C/W ITEMS 63, 64, 65 & 68	1			
32	36309	STOP	2		63		LOCK VALVE - NOT SOLD SEPARATELY	1			
33	*56168	LOCK VALVE & INTERNAL THERMAL RELIEF ASSEMBLY - INCLUDES ITEMS 36 to 38, 40, 41 & 43 to 47	1	710A	64	12A-118	O RING	4			
					65	50A-0530	BOLT	4			
					66	14A-05	LOCKWASHER	4			



ISSUE No.
N° D'ÉMISSION
N° DE EDICION 4

SOLENOID VALVE - ARTICULATION & ATTACHMENTS - 12 VOLT

JUNE 1991

FOR LIST OF PARTS - TURN THIS PAGE

POUR LA LISTE DES PIÈCES - VOIR AU VERSO

PARA LA LISTA DE LAS PIEZAS - VER AL VERSO

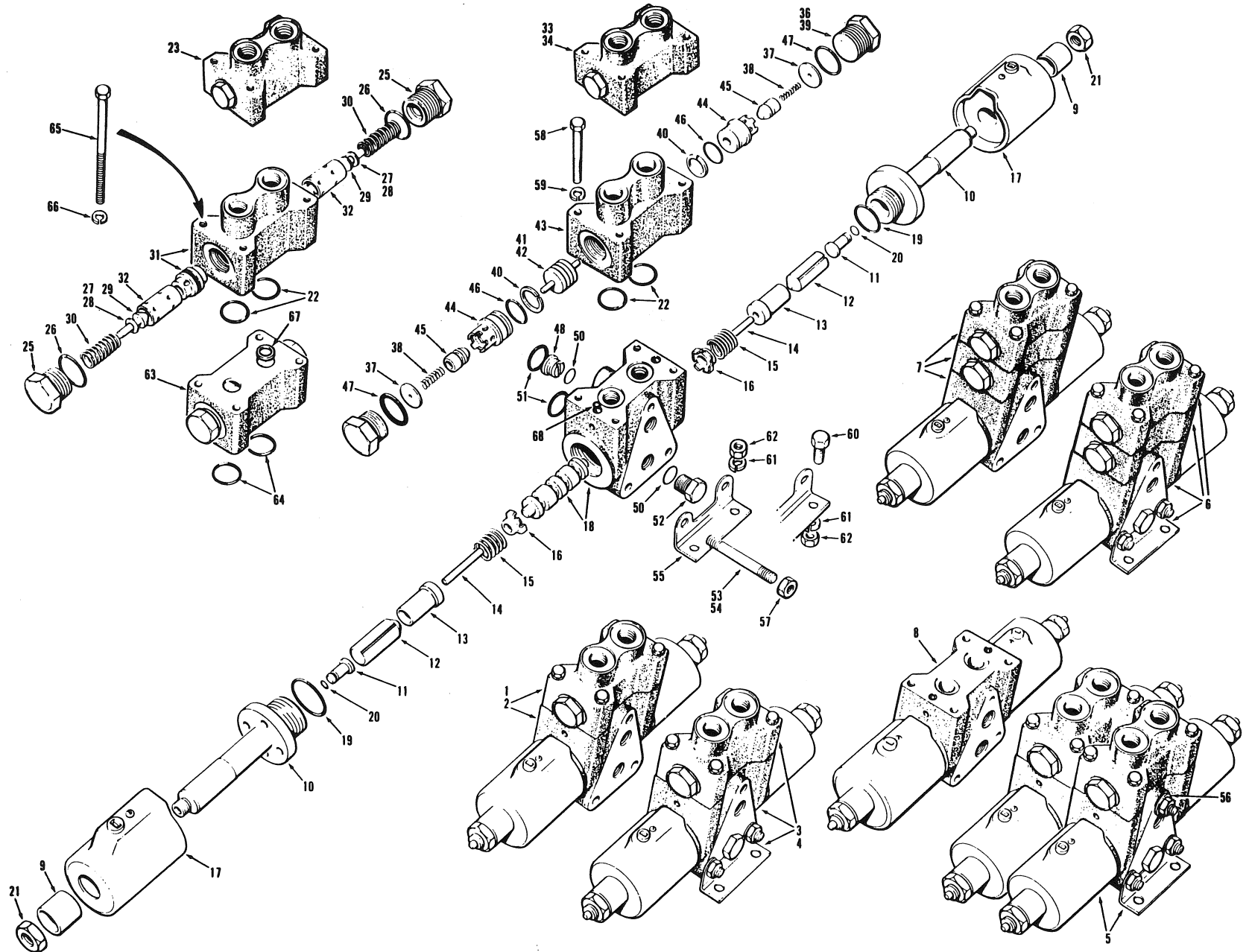
EFFECTIVE SERIAL NUMBER(S)
NUMEROS DE SERIE EFFECTIF(S)
NUMEROS DE SERIE EFFECTIVO(S)
21601 & UP

700 SERIES
SERIE 700

SECTION 4
PAGE 37

USE ONLY  APPROVED PARTS

SECTION SECCION		PAGE PAGINA		ISSUE No. N° D'ÉMISSION N° DE EDICION		SOLENOID VALVE - ARTICULATION & ATTACHMENTS - 12 VOLT				JUNE 1991	
No. N° N°	PART No. N° DE PIÈCE N° DE PIEZA	DESCRIPTION DESCRIPTION DESCRIPCION	No. REQ. N° REQ. N° REQ.	REMARKS REMARQUES NOTAS	No. N° N°	PART No. N° DE PIECE N° DE PIEZA	DESCRIPTION DESCRIPTION DESCRIPCION	No. REQ. N° REQ. N° REQ.	REMARKS REMARQUES NOTAS		
1	*63000	SOLENOID VALVE ASSEMBLY - C/W LOCK & THERMAL RELIEF - CONSISTS OF ITEMS 8 & 33	1	710A	34	56171	LOCK VALVE & INTERNAL THERMAL RELIEF ASSEMBLY - INCLUDES ITEMS 36 to 40 & 42 to 47	1	Attachments		
2	*59931	SOLENOID VALVE ASSEMBLY - C/W LOCK & THERMAL RELIEF - CONSISTS OF ITEMS 8 & 34	1	Attachments	36		PLUG	1 or 2			
3	*59925	SINGLE BANK SOLENOID VALVE ASSEMBLY - C/W LOCK, THERMAL RELIEF & BANK KIT - CONSISTS OF ITEM 1 & 54244 SINGLE BANK KIT	1	710A	37	24918	WASHER	2			
					38	24919	SPRING	2			
					39		PLUG	1	Attachments		
					40	24924	BACK-UP RING	2			
4	*59927	SINGLE BANK SOLENOID VALVE ASSEMBLY - C/W LOCK THERMAL RELIEF & BANK KIT - CONSISTS OF ITEM 2 & 54244 SINGLE BANK KIT	1	Attachments	41	32614	SHUTTLE SPOOL - SMALL	1	Articulation		
					42	32615	SHUTTLE SPOOL - LARGE	1	Attachments		
					43		BODY - NOT AVAILABLE SEPARATELY	1			
5	*59928	DOUBLE BANK SOLENOID VALVE ASSEMBLY - C/W LOCK, THERMAL RELIEF & BANK KIT - CONSISTS OF ITEMS 2 & 1 OF 54243 DOUBLE BANK KIT	1	Attachments	44	48861	CAGE	2			
					45	48862	CHECK	2			
6	*59926	SINGLE BANK SOLENOID VALVE ASSEMBLY - C/W CROSS OVER, THERMAL RELIEF, BANK KIT & 56169 LOCK VALVE KIT - CONSISTS OF ITEMS 7, 63 & 54244 SINGLE BANK KIT	1.	720A thru 780A	46	12A-016	O-RING	2			
					47	116A-10	O-RING	2			
							BANKING KITS				
7	*63001	SOLENOID VALVE ASSEMBLY - C/W CROSS OVER & THERMAL RELIEF - CONSISTS OF ITEMS 8 & 23	1	720A thru 780A		54244	SINGLE BANK KIT - INCLUDES ITEMS 50, 52, 54, 55 to 57	1			
						54243	DOUBLE BANK KIT - INCLUDES ITEMS 48 to 53 & 55 to 57 USED WHEN CONNECTING TWO VALVES IN SERIES	1			
8	*59929	SOLENOID VALVE ASSEMBLY - ITEMS 9 to 21	1		48	56229	SERIES PLUG	1			
	18845	O-RING SEAL KIT FOR 59929 - VALVE ASSEMBLY			50	12A-116	O-RING	2 or 3			
					51	12A-121	O-RING	2			
9	18834	SLEEVE	2		52	111H-10	PLUG	2			
10	18835	TUBE ASSEMBLY	2		53		TIE ROD	3	Double Bank		
11	18836	STANDARD FLUSH BUTTON	2		54		TIE ROD	2	Single Bank		
12	18837	PLUNGER	2		55		FOOT	2			
13	18838	PLUG	2		56	14C-05	FLATWASHER	2			
14	18839	PIN	2		57	30A-05	NUT	4 or 6			
15	18840	SPRING	2		58	50A-0518	BOLT	4			
16	18841	SPRING RETAINER	2		59	14A-05	LOCKWASHER	4			
17	18844	SOLENOID COIL - 12 VOLT	1		60	50A-0610	BOLT	4			
18		SPOOL & BODY - MATCHED SET - NOT AVAILABLE SEPARATELY	1		61	14A-06	LOCKWASHER	4			
					62	30A-06	NUT	4			
19	12A-124	O-RING	2			59930	LOCK VALVE KIT - C/W ITEMS 63, 64, 65 & 66	1			
20	12A-008	O-RING	2				LOCK VALVE - NOT SOLD SEPARATELY	1			
21	31D-10	NUT	2		63		O-RING	4			
22	12A-118	O-RING	2		64	12A-118	BOLT	4			
23	56170	CROSSOVER RELIEF VALVE -INCLUDES ITEMS 25 to 32	1		65	50A-0530	LOCKWASHER	4			
25		PLUG	2		66	14A-05		4			
26	116A-10	O-RING	2								
27	36303	SHIM	2		67	*59932	SUPPORT RING - .830" O.D.	2			
28	36304	SHIM	2		68	*59933	SUPPORT RING - 1.045" O.D.	2			
29	36305	POPPET	2		69	*12A-007	O-RING	2			
30	36306	SPRING	2								
31	58123	BODY - SUB ASSEMBLY - INCLUDES BODY, O-RING, SEAT & 2 BACK-UP RINGS	1								
32	36309	STOP	2								
33	56168	LOCK VALVE & INTERNAL THERMAL RELIEF ASSEMBLY - INCLUDES ITEMS 36 to 38, 40, 41 & 43 to 47	1	710A							



ISSUE No.
 N° D'ÉMISSION
 N° DE EDICION 5

SOLENOID VALVE - ARTICULATION & ATTACHMENTS - 12 VOLT

MAY 1992

FOR LIST OF PARTS - TURN THIS PAGE

POUR LA LISTE DES PIÈCES - VOIR AU VERSO

PARA LA LISTA DE LAS PIEZAS - VER AL VERSO

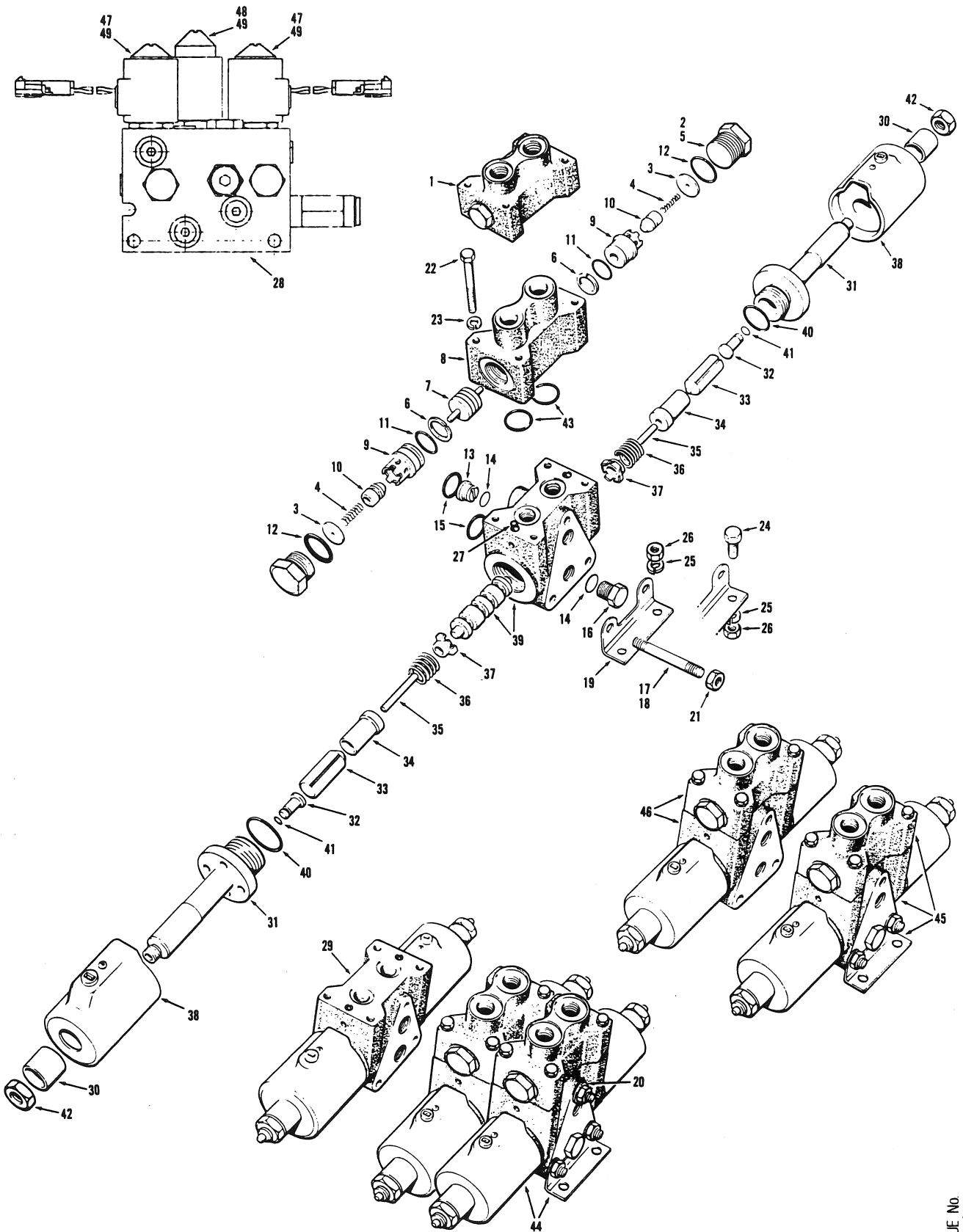
EFFECTIVE SERIAL NUMBERS)
 NUMEROSI DE SÉRIE EFFECTIFS)
 NUMEROSI DE SERIE EFECTIVOS)
 22062, 22063, 22068,
 22071 to 22131
 EXCLUDING 22083, 22086,
 & 22092

700 SERIES
 SERIE 700

SECTION 4 PAGE 37
 SECCION 4 PAGINA 37

USE ONLY CHAMPION ROAD MACHINERY APPROVED PARTS

SECTION SECCION		PAGE PAGINA		ISSUE No. N° D'ÉMISSION N° DE EDICION		SOLENOID VALVE - ARTICULATION & ATTACHMENTS - 12 VOLT					MAY 1992	
No. N° N°	PART No. N° DE PIÉCE N° DE PIEZA	DESCRIPTION DÉSCRIPTION DESCRIPCION	No. REQ. N° REQ. N° REQ.	REMARKS REMARQUES NOTAS	No. N° N°	PART No. N° DE PIÉCE N° DE PIEZA	DESCRIPTION DÉSCRIPTION DESCRIPCION	No. REQ. N° REQ. N° REQ.	REMARKS REMARQUES NOTAS			
1	*63043	SOLENOID VALVE ASSEMBLY - C/W LOCK & THERMAL RELIEF - CONSISTS OF ITEMS 8 & 33	1	710A	34	56171	LOCK VALVE & INTERNAL THERMAL RELIEF ASSEMBLY - INCLUDES ITEMS 36 to 40 & 42 to 47	1	Attachments			
2	*62200	SOLENOID VALVE ASSEMBLY - C/W LOCK & THERMAL RELIEF - CONSISTS OF ITEMS 8 & 34	1	Attachments	36		PLUG	1 or 2				
3	59925	SINGLE BANK SOLENOID VALVE ASSEMBLY - C/W LOCK, THERMAL RELIEF & BANK KIT - CONSISTS OF ITEM 1 & 54244 SINGLE BANK KIT	1	710A	37	24918	WASHER	2				
4	*62199	SINGLE BANK SOLENOID VALVE ASSEMBLY - C/W LOCK THERMAL RELIEF & BANK KIT - CONSISTS OF ITEM 2 & 54244 SINGLE BANK KIT	1	Attachments	38	24919	SPRING	2				
5	*62201	DOUBLE BANK SOLENOID VALVE ASSEMBLY - C/W LOCK, THERMAL RELIEF & BANK KIT - CONSISTS OF ITEMS 2 & 1 OF 54243 DOUBLE BANK KIT	1	Attachments	39		PLUG	1	Attachments			
6	*62198	SINGLE BANK SOLENOID VALVE ASSEMBLY - C/W CROSS OVER, THERMAL RELIEF, BANK KIT & 59930 LOCK VALVE KIT - CONSISTS OF ITEMS 7, 63 & 54244 SINGLE BANK KIT	1	720A thru 780A	40	24924	BACK-UP RING	2				
7	*63044	SOLENOID VALVE ASSEMBLY - C/W CROSS OVER & THERMAL RELIEF & 59930 LOCK VALVE KIT - CONSISTS OF ITEMS 8 & 23	1	720A thru 780A	41	32614	SHUTTLE SPOOL - SMALL	1	Articulation			
8	*62197	SOLENOID VALVE ASSEMBLY - ITEMS 9 to 21	1		42	32615	SHUTTLE SPOOL - LARGE	1	Attachments			
	18845	O-RING SEAL KIT FOR 62197 - VALVE ASSEMBLY			43		BODY - NOT AVAILABLE SEPARATELY	1				
9	18834	SLEEVE	2		44	48861	CAGE	2				
10	18835	TUBE ASSEMBLY	2		45	48862	CHECK	2				
11	18836	STANDARD FLUSH BUTTON	2		46	12A-016	O-RING	2				
12	18837	PLUNGER	2		47	116A-10	O-RING	2				
13	18838	PLUG	2				BANKING KITS					
14	18839	PIN	2			54244	SINGLE BANK KIT - INCLUDES ITEMS 50, 52, 54, 55 to 57	1				
15	18840	SPRING	2			54243	DOUBLE BANK KIT - INCLUDES ITEMS 48 to 53 & 55 to 57 USED WHEN CONNECTING TWO VALVES IN SERIES	1				
16	18841	SPRING RETAINER	2		48	56229	SERIES PLUG	1				
17	18844	SOLENOID COIL - 12 VOLT NOT AVAILABLE	1		50	12A-116	O-RING	2 or 3				
18		SPOOL & BODY - MATCHED SET - SEPARATELY	1		51	12A-121	O-RING	2				
19	12A-124	O-RING	2		52	111H-10	PLUG	2				
20	12A-008	O-RING	2		53		TIE ROD	3	Double Bank			
21	31D-10	NUT	2		54		TIE ROD	2	Single Bank			
22	12A-118	O-RING	2		55		FOOT	2				
23	56170	CROSSOVER RELIEF VALVE - INCLUDES ITEMS 25 to 32	1		56	14C-05	FLATWASHER	2				
25		PLUG	2		57	30A-05	NUT	4 or 6				
26	118A-10	O-RING	2		58	50A-0518	BOLT	4				
27	36303	SHIM	2		59	14A-05	LOCKWASHER	4				
28	36304	SHIM	2		60	50A-0610	BOLT	4				
29	36305	POPPET	2		61	14A-06	LOCKWASHER	4				
30	36306	SPRING	2		62	30A-06	NUT	4				
31	58123	BODY - SUB ASSEMBLY - INCLUDES BODY, O-RING, SEAT & 2 BACK-UP RINGS	1			59930	LOCK VALVE KIT - C/W ITEMS 63, 64, 65 & 66	1				
32	36309	STOP	2		63		LOCK VALVE - NOT SOLD SEPARATELY	1				
33	56168	LOCK VALVE & INTERNAL THERMAL RELIEF ASSEMBLY - INCLUDES ITEMS 36 to 38, 40, 41 & 43 to 47	1	710A	64	12A-118	O-RING	4				
					65	50A-0530	BOLT	4				
					66	14A-05	LOCKWASHER	4				
					67	59932	SUPPORT RING - .830" O.D.	2				
					68	12A-007	O-RING	2				



EFFECTIVE SERIAL NUMBER(S) 22038, 22039,
 NUMERO(S) DE SÉRIE EFFECTIF(S) 22132 & UP
 NUMERO(S) DE SERIE EFECTIVO(S)

700 SERIES
 SERIE 700

SECTION 4 PAGE 37
 SECCION 4 PAGINA 37

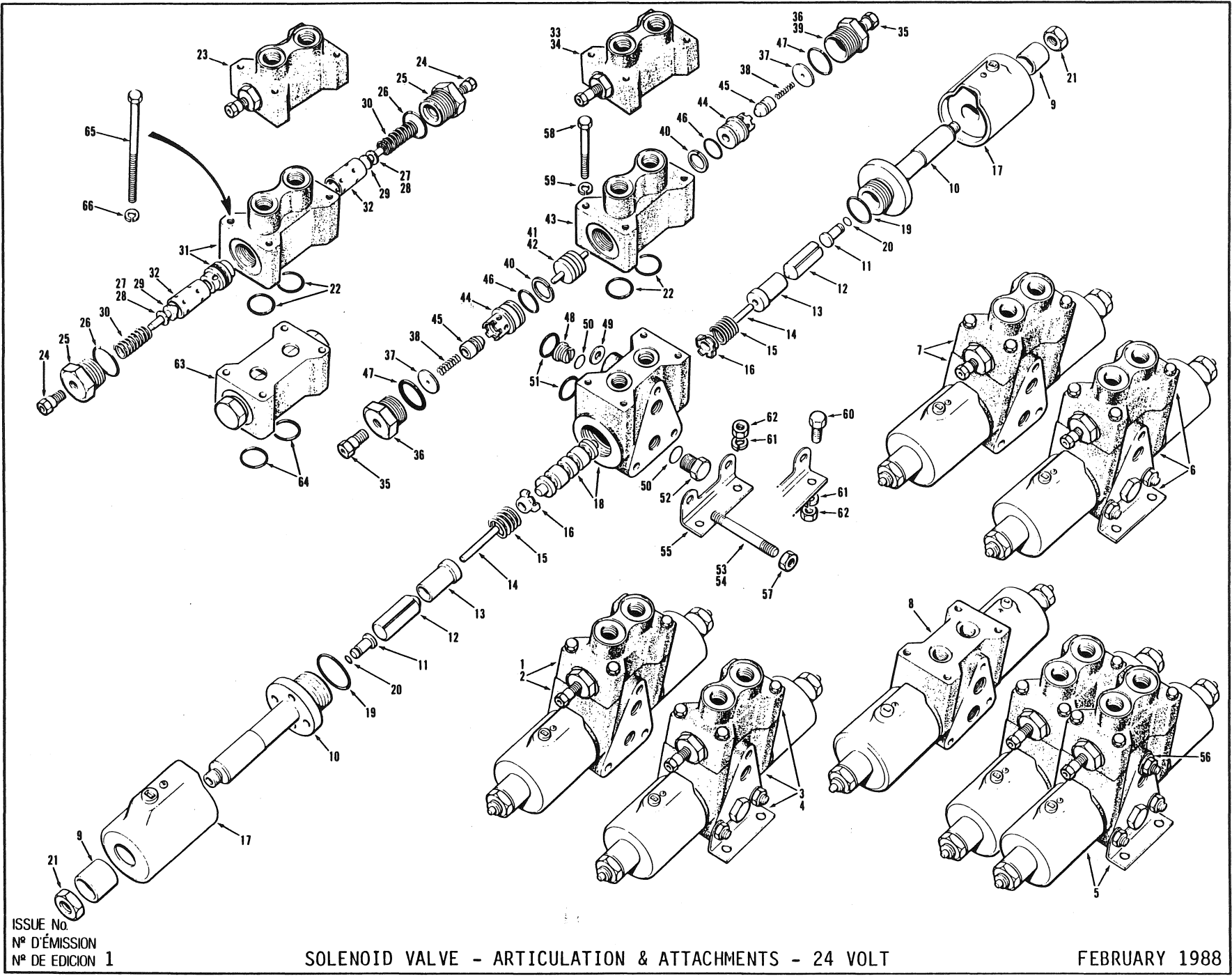
SECTION 4		PAGE 38		ISSUE No. 6		SOLENOID VALVE - ARTICULATION & ATTACHMENTS - 12 VOLT				MAY 1992	
SECCION 4		PAGINA 38		N° D'ÉMISSION 6							
No. N° N°	PART No. N° DE PIÈCE N° DE PIEZA	DESCRIPTION DESCRIPTION DESCRIPCION	No. REQ. N° REQ. N° REQ.	REMARKS REMARQUES NOTAS	No. N° N°	PART No. N° DE PIÈCE N° DE PIEZA	DESCRIPTION DESCRIPTION DESCRIPCION	No. REQ. N° REQ. N° REQ.	REMARKS REMARQUES NOTAS		
1	56171	LOCK VALVE & INTERNAL RELIEF ASSEMBLY - INCLUDES ITEMS 2 to 12	1	Attachments	39		SPOOL & BODY - MATCHED SET - NOT AVAILABLE SEPARATELY	1			
2		PLUG	1 or 2		40	12A-124	O-RING	2			
3	24918	WASHER	2		41	12A-008	O-RING	2			
4	24919	SPRING	2		42	31D-10	NUT	2			
5		PLUG	1		43	12A-118	O-RING	2			
6	24924	BACK-UP RING	2								
7	32815	SHUTTLE SPOOL	1		44	62201	DOUBLE BANK SOLENOID VALVE ASSEMBLY - C/W LOCK, THERMAL RELIEF & BANK KIT - CONSISTS OF ITEMS 48 AND 1 OF 54243 DOUBLE BANK KIT	1	Attachments		
8		BODY - NOT AVAILABLE SEPARATELY	1								
9	48861	CAGE	2								
10	48862	CHECK	2								
11	12A-018	O-RING	2		45	62199	SINGLE BANK SOLENOID VALVE ASSEMBLY - C/W LOCK, THERMAL RELIEF & BANK KIT - CONSISTS OF ITEMS 48 AND 1 OF 54244 SINGLE BANK KIT	1	Attachments		
12	116A-10	O-RING	2								
		BANKING KITS									
	54244	SINGLE BANK KIT - INCLUDES ITEMS 14, 16, 18, 19 to 21	1		46	62200	SOLENOID VALVE ASSEMBLY - C/W LOCK & THERMAL RELIEF - CONSISTS OF ITEMS 29 & 1	1	Attachments		
	54243	DOUBLE BANK KIT - INCLUDES ITEMS 13 to 17 & 19 to 21 USED WHEN CONNECTING TWO VALVES IN SERIES	1		47	*63073	CARTRIDGE - INCLUDES 3 O-RINGS & CONICAL NUT	2			
					48	*63074	CARTRIDGE - INCLUDES 3 O-RINGS & CONICAL NUT	1			
					49	*58727	SOLENOID COIL - 12 VOLT	3			
13	56229	SERIES PLUG	1			*63075	SEAL KIT FOR 63073 - CARTRIDGE	1 per			
14	12A-116	O-RING	2 or 3			*63118	SEAL KIT FOR 63074 - CARTRIDGE	1 per			
15	12A-121	O-RING	2								
16	111H-10	PLUG	2								
17		TIE ROD	3	Double Bank							
18		TIE ROD	2	Single Bank							
19		FOOT	2								
20	14C-05	FLATWASHER	2								
21	30A-05	NUT	4 or 6								
22	50A-0518	BOLT	4								
23	14A-05	LOCKWASHER	4								
24	50A-0610	BOLT	4								
25	14A-06	LOCKWASHER	4								
26	30A-06	NUT	4								
27	12A-007	O-RING	2								
28	*62174	SOLENOID VALVE ASSEMBLY - INCLUDES ITEMS 47 to 49	1	Articulation							
29	62197	SOLENOID VALVE ASSEMBLY -INCLUDES ITEMS 30 to 42	1	Attachments							
	18845	O-RING SEAL KIT FOR 62197 - VALVE ASSEMBLY									
30	18834	SLEEVE	2								
31	18835	TUBE ASSEMBLY	2								
32	18836	STANDARD FLUSH BUTTON	2								
33	18837	PLUNGER	2								
34	18838	PLUG	2								
35	18839	PIN	2								
36	18840	SPRING	2								
37	18841	SPRING RETAINER	2								
38	18844	SOLENOID COIL - 12 VOLT	1								

CHAMPION ROAD MACHINERY

EFFECTIVE SERIAL NUMBER(S) 17882 & UP
 NUMEROS (S) DE SERIE EFFECTIF(S)
 NUMEROS (S) DE SERIE EFECTIVOS

700 SERIES
 SERIE 700

SECTION 4 PAGE 39
 SECCION 4 PAGINA 39



ISSUE No
 N° D'ÉMISSION
 N° DE EDICION 1

SOLENOID VALVE - ARTICULATION & ATTACHMENTS - 24 VOLT

FEBRUARY 1988

FOR LIST OF PARTS - TURN THIS PAGE

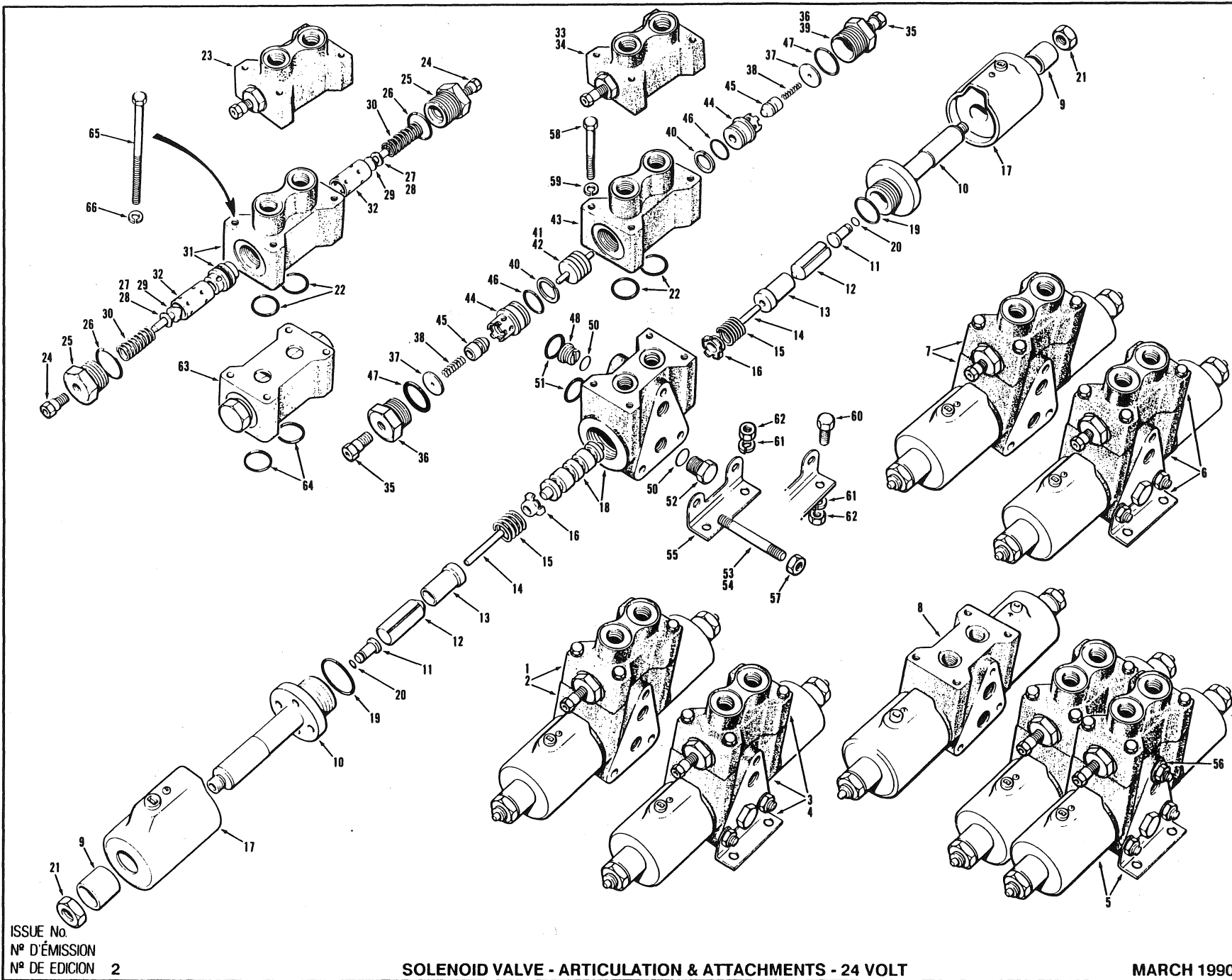
POUR LA LISTE DES PIÈCES - VOIR AU VERSO

DARA LA LISTA DE LAS PIEZAS - VEDA AL VERSO

USE ONLY CHAMPION ROAD MACHINERY APPROVED PARTS

SECTION SECCION 4		PAGE PAGINA 40	ISSUE No. N° D'ÉMISSION 1 N° DE EDICION	SOLENOID VALVE - ARTICULATION & ATTACHMENTS - 24 VOLT				FEBRUARY 1988	
No. N° N°	PART No. N° DE PIÉCE N° DE PIEZA	DESCRIPTION DÉSCRIPTION DESCRIPCION	No. REQ. N° REQ. N° REQ.	REMARKS REMARQUES NOTAS	No. N° N°	PART No. N° DE PIECE N° DE PIEZA	DESCRIPTION DÉSCRIPTION DESCRIPCION	No. REQ. N° REQ. N° REQ.	REMARKS REMARQUES NOTAS
1	32616	SOLENOID VALVE ASSY. - C/W LOCK & THERMAL RELIEF - CONSISTS OF ITEMS 8 & 33	A.R.	710A	32	36309	STOP	2	
2	32617	SOLENOID VALVE ASSY. - C/W LOCK & THERMAL RELIEF - CONSISTS OF ITEMS 8 & 34	A.R.	ATTACHMENTS	33	32661	LOCK VALVE & THERMAL RELIEF ASSY. - (THERMAL RELIEF BOTH ENDS) - INCLUDES ITEMS 35 TO 38 40, 41 & 43 TO 47	1	710A
3	40818	SINGLE BANK SOLENOID VALVE ASSY. - C/W LOCK, THERMAL RELIEF & BANKING KIT - CONSISTS OF ITEM 1 & 18850 BANKING KIT	A.R.	710A	34	32662	LOCK VALVE & THERMAL RELIEF ASSY. - (THERMAL RELIEF ONE END ONLY) - INCLUDES ITEMS 35 TO 40 & 42 TO 47	1	ATTACHMENTS
4	32619	SINGLE BANK SOLENOID VALVE ASSY. - C/W LOCK, THERMAL RELIEF & BANKING KIT - CONSISTS OF ITEM 2 & 18850 BANKING KIT	A.R.	ATTACHMENTS	35	24915	THERMAL RELIEF	1or2	
					36	24916	PLUG - DRILLED	1or2	
					37	24918	WASHER	2	
					38	24919	SPRING	2	
					39	24921	PLUG	1	ATTACHMENTS
5	32620	DOUBLE BANK SOLENOID VALVE ASSY. - C/W LOCK, THERMAL RELIEF & BANKING KIT - CONSISTS OF 2 OF ITEM 2 & 1 OF 17839 BANKING KIT	A.R.	ATTACHMENTS	40	24924	BACK-UP RING	2	
					41	32614	SHUTTLE SPOOL	1	ARTIC'N
					42	32615	SHUTTLE SPOOL	1	ATTACHMENTS
					43		BODY	1	
					44		CAGE NOT AVAILABLE	2	
					45		CHECK SEPARATELY	2	
6	40819	SOLENOID VALVE ASSY. - C/W CROSS OVER & THERMAL RELIEF - CONSISTS OF ITEMS 8 & 23	A.R.	720A THRU 780A	46	12A-016	O RING	2	
					47	12A-216	O RING	2	
7	44274	SINGLE BANK SOLENOID VALVE ASSY. - C/W CROSS OVER, THERMAL RELIEF & BANKING KIT CONSISTS OF ITEM 7 & 18850 BANKING KIT	A.R.	720A THRU 780A			<u>BANKING KITS</u>		
						17839	DOUBLE BANKING KIT - INCLUDES ITEMS 48 TO 53 & 55 TO 57	A.R.	
						18850	SINGLE BANKING KIT - INCLUDES ITEMS 50, 52, 54, 55 & 57	A.R.	
8	17838	SOLENOID VALVE ASSY. - ITEMS 9 TO 21	1		48	17841	SERIES PLUG	1	
9	18834	SLEEVE	2		49	18843	SHIM - MYLAR	3	
10	18835	TUBE ASSY.	2		50	12A-114	O RING	2or3	
11	18836	STANDARD FLUSH BUTTON	2		51	12A-118	O RING	2	
12	18837	PLUNGER	2		52	111H-08	PLUG	2	
13	18838	PLUG	2		53		TIE ROD	3	DOUBLE
14	18839	PIN	2		54		TIE ROD	2	SINGLE
15	18840	SPRING	2		55		FOOT	2	
16	18841	SPRING RETAINER	2		56	14C-05	FLATWASHER	2	
17	25080	SOLENOID COIL	2		57	30A-05	NUT	4or6	
18		SPOOL & BODY - MATCHED SET NOT AVAILABLE	1		58	50A-0518	BOLT	4	
19		O RING SEPARATELY	2		59	14A-05	LOCKWASHER	4	
20	12A-008	O RING	2		60	50A-0610	BOLT	4	
21	31D-10	NUT	2		61	14A-06	LOCKWASHER	4	
22	12A-118	O RING	2		62	30A-06	NUT	4	
23	35099	CROSSOVER RELIEF VALVE - ITEMS 24 TO 32	1						
24	24915	THERMAL RELIEF	2						
25	36301	PLUG	2						
26	36302	O RING	2			18845	O RING SEAL KIT - USE WITH ITEM 8	A.R.	
27	36303	SHIM	A.R.						
28	36304	SHIM	A.R.			32256	THERMAL RELIEF KIT - INCLUDES ITEMS 35 & 36 - USE WITH ITEMS 33 & 34	A.R.	
29	36305	POPPET	2						
30	36306	SPRING	2			44273	LOCKVALVE KIT FOR 44274 - INCLUDES	A.R.	
31	36307	BODY - SUB ASSY. - INCLUDES BODY, O RING, SEAT & 2 BACK-UP RINGS	1		63		LOCKVALVE - NOT SOLD SEPARATELY	1	
					64		LOCK	1	
					65		BOLTS	4	
					66		O RING	2	

CHAMPION ROAD MACHINERY



EFFECTIVE SERIAL NUMBERS) 20493 & UP
 NUMEROS) DE SERIE EFFECTIFS)
 NUMEROS) DE SERIE EFFECTIVOS)

700 SERIES
 SERIE 700

SECTION 4 PAGE 39
 SECCION 4 PAGINA 39

ISSUE No.
 N° D'ÉMISSION
 N° DE EDICION 2

SOLENOID VALVE - ARTICULATION & ATTACHMENTS - 24 VOLT

MARCH 1990

FOR LIST OF PARTS - TURN THIS PAGE

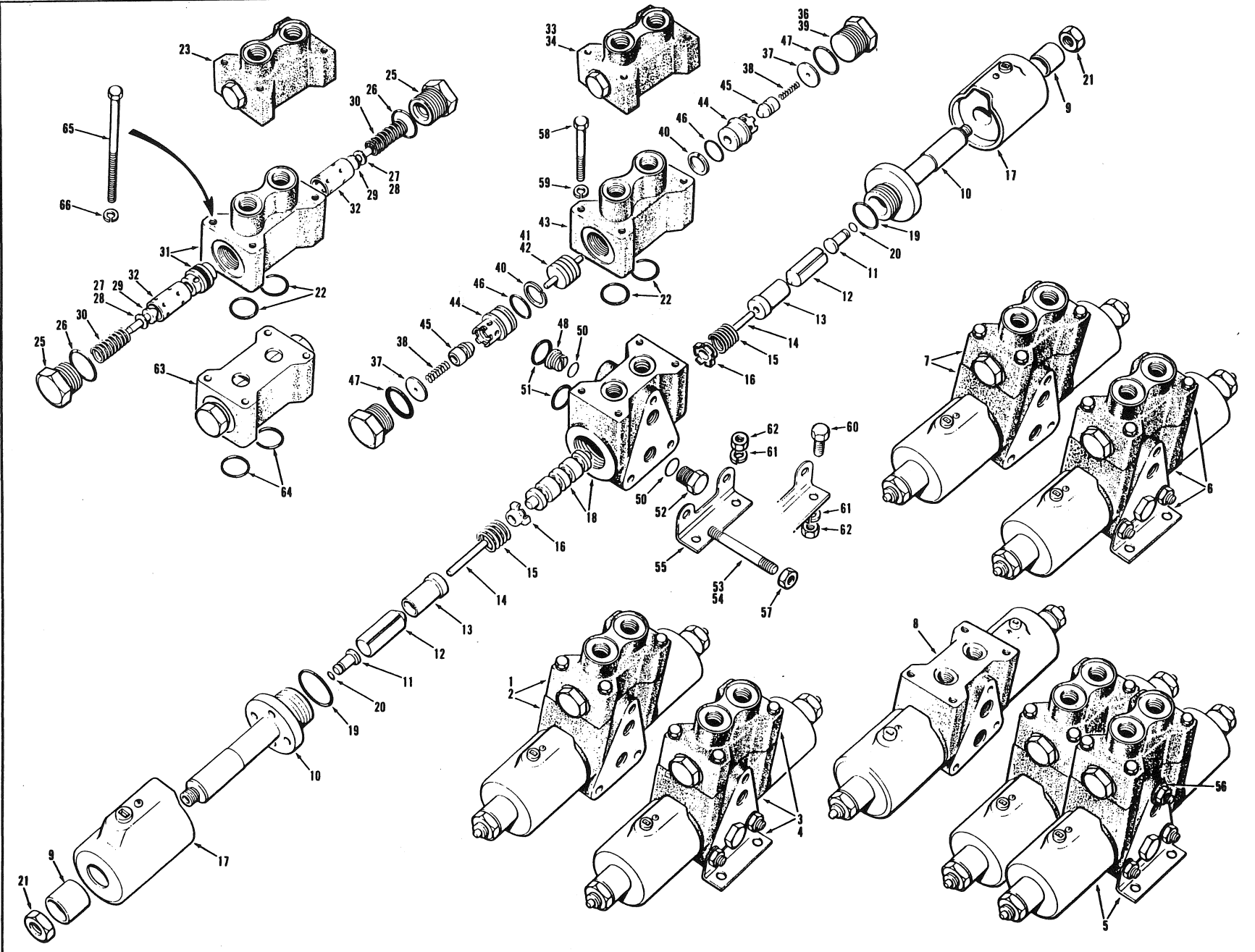
POUR LA LISTE DES PIÈCES - VOIR AU VERSO

PARA LA LISTA DE LAS PIEZAS - VER AL VERSO

USE ONLY CHAMPION APPROVED PARTS

SECTION SECCION	4	PAGE PAGINA	40	ISSUE No. N° D'ÉMISSION N° DE EDICION	2	SOLENOID VALVE - ARTICULATION & ATTACHMENTS - 24 VOLT				MARCH 1990
No. N° N°	PART No. N° DE PIÈCE N° DE PIEZA	DESCRIPTION DESCRIPTION DESCRIPCION	No. REQ N° REQ. N° REQ.	REMARKS REMARQUES NOTAS	No. N° N°	PART No. N° DE PIÈCE N° DE PIEZA	DESCRIPTION DESCRIPTION DESCRIPCION	No. REQ N° REQ. N° REQ.	REMARKS REMARQUES NOTAS	
1	*56234	SOLENOID VALVE ASSEMBLY - C/W LOCK & THERMAL RELIEF - CONSISTS OF ITEMS 8 & 33	1	710A	34	32662	LOCK VALVE & THERMAL RELIEF ASSEMBLY (THERMAL RELIEF ONE END ONLY) - INCLUDES ITEMS 35 TO 40 & 42 TO 47	1	Attachments	
2	*56235	SOLENOID VALVE ASSEMBLY - C/W LOCK & THERMAL RELIEF - CONSISTS OF ITEMS 8 & 34	1, 2 or 3	Attachments	35	24915	THERMAL RELIEF	1 or 2		
3	*56236	SINGLE BANK SOLENOID VALVE ASSEMBLY - C/W LOCK, THERMAL RELIEF & BANKING KIT - CONSISTS OF ITEM 1 & 54244 BANKING KIT	1	710A	36	24916	PLUG - DRILLED	1 or 2		
4	*56237	SINGLE BANK SOLENOID VALVE ASSEMBLY - C/W LOCK, THERMAL RELIEF & BANKING KIT - CONSISTS OF ITEM 2 & 54244 BANKING KIT	1	Attachments	37	24918	WASHER	2		
5	*56238	DOUBLE BANK SOLENOID VALVE ASSEMBLY - C/W LOCK, THERMAL RELIEF & BANKING KIT - CONSISTS OF 2 OF ITEM 2 & 1 OF 54243 BANKING KIT	1	Attachments	38	24919	SPRING	2		
6	*56239	SOLENOID VALVE ASSEMBLY - C/W CROSS OVER & THERMAL RELIEF - CONSISTS OF ITEMS 8 & 23	1	720A thru 780A	39	24921	PLUG	1	Attachments	
7	*56240	SINGLE BANK SOLENOID VALVE ASSEMBLY - C/W CROSS OVER, THERMAL RELIEF & BANKING KIT - CONSISTS OF ITEMS 8 & 54224 BANKING KIT	1	720A thru 780A	40	24924	BACK-UP RING	2		
8	*56477	SOLENOID VALVE ASSEMBLY - ITEMS 9 TO 21	1		41	32614	SHUTTLE SPOOL	1	Articulation	
	18845	O RING SEAL KIT - USE WITH ITEM 8			42	32615	SHUTTLE SPOOL	1	Attachments	
9	18834	SLEEVE	2		43		BODY - NOT AVAILABLE SEPARATELY	1		
10	18835	TUBE ASSEMBLY	2		44	48861	CAGE	2		
11	18836	STANDARD FLUSH BUTTON	2		45	48862	CHECK	2		
12	18837	PLUNGER	2		46	12A-016	O RING	2		
13	18838	PLUG	2		47	12A-216	O RING	2		
14	18839	PIN	2				BANKING KITS			
15	18840	SPRING	2				DOUBLE BANKING KIT - INCLUDES 48 TO 53 & 55 TO 57	1		
16	18841	SPRING RETAINER	2				SINGLE BANKING KIT - INCLUDES ITEMS 50, 52, 54, 55 & 57	1		
17	*25080	SOLENOID COIL - 24 VOLT	1		48	*56229	SERIES PLUG	1		
18		SPOOL & BODY - MATCHED SET	1		50	*12A-116	O RING	2 or 3		
19	12A-124	O RING	2		51	*12A-121	O RING	2		
20	12A-008	O RING	2		52	111H-10	PLUG	2		
21	31D-10	NUT	2		53		TIE ROD	3	DOUBLE BANK	
22	12A-118	O RING	2		54		TIE ROD	2	SINGLE BANK	
23	35099	CROSSOVER RELIEF VALVE - ITEMS 24 TO 32	1		55		FOOT	2		
24	24915	THERMAL RELIEF	2		56	14C-05	FLATWASHER	2		
25	36301	PLUG	2		57	30A-05	NUT	4 or 6		
26	36302	O RING	2		58	50A-0518	BOLT	4		
27	36303	SHIM	A.R.		59	14A-05	LOCKWASHER	4		
28	36304	SHIM	A.R.		60	50A-0610	BOLT	4		
29	36305	POPPET	2		61	14A-06	LOCKWASHER	4		
30	36306	SPRING	2		62	30A-06	NUT	4		
31	36307	BODY - SUB ASSEMBLY - INCLUDES BODY, O RING, SEAT & 2 BACK-UP RINGS	1				44273	LOCK VALVE KIT - C/W ITEMS 63, 64, 65 & 66	A.R.	
32	36309	STOP	2		63		LOCK VALVE - NOT SOLD SEPARATELY	1		
33	32661	LOCK VALVE & THERMAL RELIEF ASSEMBLY (THERMAL RELIEF BOTH ENDS) - INCLUDES ITEMS 35 TO 38, 40, 41 & 43 TO 47	1	710A	64	12A-118	O RING	4		
					65	50A-0530	BOLT	4		
					66	14A-05	LOCKWASHER	4		

CHAMPION ROAD MACHINERY



EFFECTIVE SERIAL NUMBERS) 20719 & UP
 NUMEROSI DE SERIE EFFECTIFS) EXCLUDING 20731
 NUMEROSI DE SERIE EFFECTIVOS)

700 SERIES
 SERIE 700

SECTION 4 PAGE 39
 SECCION 4 PAGINA 39

N° D'ÉMISSION 3
 N° DE EDICION 3

SOLENOID VALVE - ARTICULATION & ATTACHMENTS - 24 VOLT

JUNE 1990

FOR LIST OF PARTS - TURN THIS PAGE

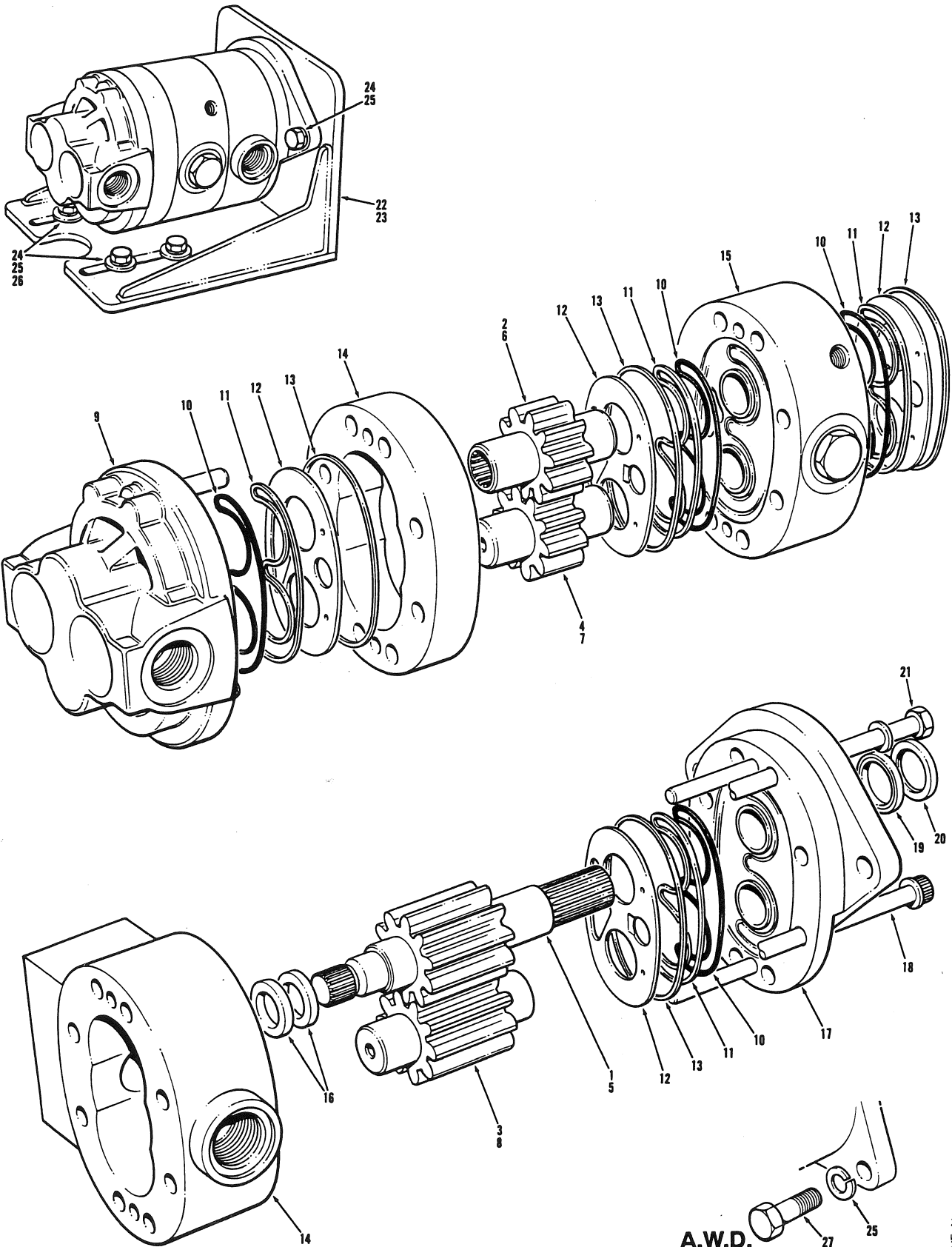
POUR LA LISTE DES PIÈCES - VOIR AU VERSO

PARA LA LISTA DE LAS PIEZAS - VER AL VERSO

USE ONLY CHAMPION APPROVED PARTS

SECTION SECCION		PAGE PAGINA		ISSUE No. N° D'ÉMISSION N° DE EDICION		SOLENOID VALVE - ARTICULATION & ATTACHMENTS - 24 VOLT				JUNE 1990	
No. N° N°	PART No. N° DE PIÉCE N° DE PIEZA	DESCRIPTION DÉSCRIPTION DESCRIPCION	No. REQ N° REQ. N° REQ.	REMARKS REMARQUES NOTAS	No. N° N°	PART No. N° DE PIÉCE N° DE PIEZA	DESCRIPTION DÉSCRIPTION DESCRIPCION	No. REQ N° REQ. N° REQ.	REMARKS REMARQUES NOTAS		
1	*58124	SOLENOID VALVE ASSEMBLY - C/W LOCK & THERMAL RELIEF - CONSISTS OF ITEMS 8 & 33	1	710A	33	*56168	LOCK VALVE & INTERNAL THERMAL RELIEF ASSEMBLY - INCLUDES ITEMS 36 to 38, 40, 41 & 43 to 47	1	710A		
2	*56287	SOLENOID VALVE ASSEMBLY - C/W LOCK & THERMAL RELIEF - CONSISTS OF ITEMS 8 & 34	1, 2 or 3	Attachments	34	*56171	LOCK VALVE & INTERNAL THERMAL RELIEF ASSEMBLY - INCLUDES ITEMS 35 to 40 & 42 to 47	1	Attachments		
3	*56285	SINGLE BANK SOLENOID VALVE ASSEMBLY - C/W LOCK, THERMAL RELIEF & BANK KIT - CONSISTS OF ITEM 1 & 54244 SINGLE BANK KIT	1	710A	36		PLUG	1 or 2			
4	*56288	SINGLE BANK SOLENOID VALVE ASSEMBLY - C/W LOCK, THERMAL RELIEF & BANK KIT - CONSISTS OF ITEM 2 & 54244 SINGLE BANK KIT	1	Attachments	37	24918	WASHER	2			
5	*56289	DOUBLE BANK SOLENOID VALVE ASSEMBLY - C/W LOCK, THERMAL RELIEF & BANK KIT - CONSISTS OF 2 OF ITEM 2 & 1 OF 54243 DOUBLE BANK KIT	1	Attachments	38	24919	SPRING	2			
6	*56286	SOLENOID VALVE ASSEMBLY - C/W CROSS OVER & THERMAL RELIEF - CONSISTS OF ITEMS 8 & 23	1	720A thru 780A	39		PLUG	1	Attachments		
7	*58125	SINGLE BANK SOLENOID VALVE ASSEMBLY - C/W CROSS OVER, THERMAL RELIEF & BANK KIT - CONSISTS OF ITEMS 8 & 54244 SINGLE BANK KIT	1	720A thru 780A	40	24924	BACK-UP RING	2			
8	56477	SOLENOID VALVE ASSEMBLY - INCLUDES ITEMS 9 to 21	1		41	32614	SHUTTLE SPOOL - SMALL	1	Articulation		
	18845	O RING SEAL KIT FOR 56477 - VALVE ASSEMBLY			42	32615	SHUTTLE SPOOL - LARGE	1	Attachments		
9	18834	SLEEVE	2		43		BODY - NOT AVAILABLE SEPARATELY	1			
10	18835	TUBE ASSEMBLY	2		44	48861	CAGE	2			
11	18836	STANDARD FLUSH BUTTON	2		45	48862	CHECK	2			
12	18837	PLUNGER	2		46	12A-016	O RING	2			
13	18838	PLUG	2		47	*116A-10	O RING	2			
14	18839	PIN	2				BANKING KITS				
15	18840	SPRING	2			54244	SINGLE BANK KIT - INCLUDES ITEMS 50, 52, 54, 55 to 57	1			
16	18841	SPRING RETAINER	2			54243	DOUBLE BANK KIT - INCLUDES 48 to 53 & 55 to 57 USED WHEN CONNECTING TWO VALVES IN SERIES	1			
17	*25080	SOLENOID COIL - 24 VOLT	1		48	56229	SERIES PLUG	1			
18		SPOOL & BODY - MATCHED SET	1		50	12A-116	O RING	2 or 3			
19	12A-124	O RING	2		51	12A-121	O RING	2			
20	12A-008	O RING	2		52	111H-10	PLUG	2			
21	31D-10	NUT	2		53		TIE ROD	3	Double Bank		
22	12A-118	O RING	2		54		TIE ROD	2	Single Bank		
23	*56170	CROSSOVER RELIEF VALVE - INCLUDES ITEMS 25 to 32	1		55		FOOT	2			
24		PLUG	2		56	14C-05	FLATWASHER	2			
25		O RING	2		57	30A-05	NUT	4 or 6			
26	*116A-10	O RING	2		58	50A-0518	BOLT	4			
27	36303	SHIM	2		59	14A-05	LOCKWASHER	4			
28	36304	SHIM	2		60	50A-0610	BOLT	4			
29	36305	POPPET	2		61	14A-06	LOCKWASHER	4			
30	36306	SPRING	2		62	30A-06	NUT	4			
31	*58123	BODY - SUB ASSEMBLY - INCLUDES BODY, O RING, SEAT & 2 BACK-UP RINGS	1			*56169	LOCK VALVE KIT - C/W ITEMS 63, 64, 65 & 66	A.R.			
32	36309	STOP	2		63		LOCK VALVE- NOT SOLD SEPARATELY	1			
					64	12A-118	O RING	4			
					65	50A-0530	BOLT	4			
					66	14A-05	LOCKWASHER	4			

A.W.D.



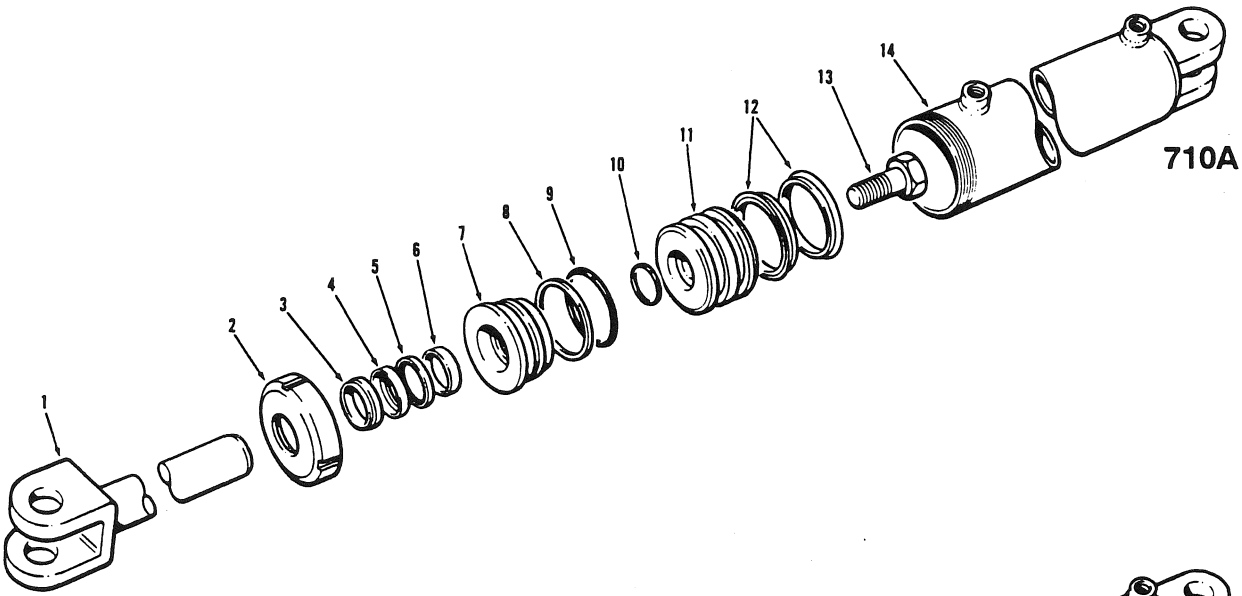
EFFECTIVE SERIAL NUMBER(S)
 NUMERO(S) DE SÉRIE EFFECTIF(S)
 NUMERO(S) DE SERIE EFECTIVO(S)
20805, 20806, 20808 & UP

700 SERIES
SERIE 700

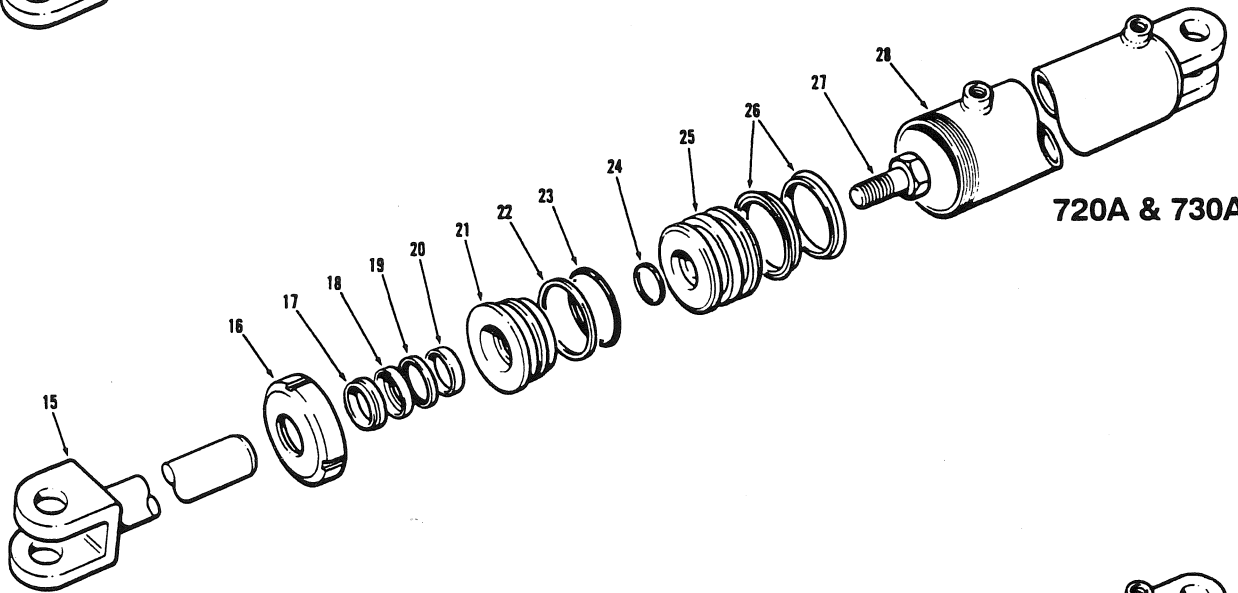
SECTION 4 **PAGE 41**
SECCION 4 **PAGINA 41**

SECTION SECCION		PAGE PAGINA		ISSUE No. N° D'ÉMISSION N° DE EDICION		1 REVISION A		HYDRAULIC PUMP - TRANSMISSION/STEERING		DECEMBER 1991	
No. N° Nº	PART No. N° DE PIÉCE N° DE PIEZA	DESCRIPTION DÉSCRIPTION DESCRIPCION	No. REQ. N° REQ. Nº REQ.	REMARKS REMARQUES NOTAS	No. N° Nº	PART No. N° DE PIÉCE N° DE PIEZA	DESCRIPTION DÉSCRIPTION DESCRIPCION	No. REQ. N° REQ. Nº REQ.	REMARKS REMARQUES NOTAS		
	*54742	HYDRAULIC PUMP ASSEMBLY - INCLUDES ITEMS 5 to 21 (not exactly as illustrated)	1	710A, 720A & 730A All Wheel Drive Models							
	*54743	HYDRAULIC PUMP ASSEMBLY - INCLUDES ITEMS 1 to 4 & 9 to 21	1	710 thru 780A							
	58283	REPAIR KIT FOR 54742 & 54743 PUMPS - INCLUDES ITEMS 10 to 13, 16, 19 & 20	1								
1	58284	DRIVESHAFT	1								
2	58255	SLIP GEAR	1								
3	58256	IDLER GEAR	1								
4	58257	IDLER GEAR	1								
5	58258	DRIVESHAFT	1								
6	58259	SLIP GEAR	1								
7	58260	IDLER GEAR	1								
8	58261	IDLER GEAR	1								
9		COVER ASSEMBLY	1								
10		E RING	4								
11		E SEAL	4								
12		WEAR PLATE	4								
13		SEAL RING	4								
14		GEAR PLATE	2								
15		BEARING PLATE	1								
16		OIL SEAL	2								
17		FRONT PLATE	1								
18		BOLT	2								
19		OIL SEAL	1								
20		OIL SEAL	1								
21		BOLT	6								
22	54942	MOUNTING BRACKET	1	710/710A							
23	64943	MOUNTING BRACKET	1	720 thru 780A							
24	50A-0810	BOLT	6								
25	14A-08	LOCKWASHER	2 or 6								
26	14C-08	FLATWASHER	4								
27	50A-0816	BOLT	2	All Wheel Drive Models							

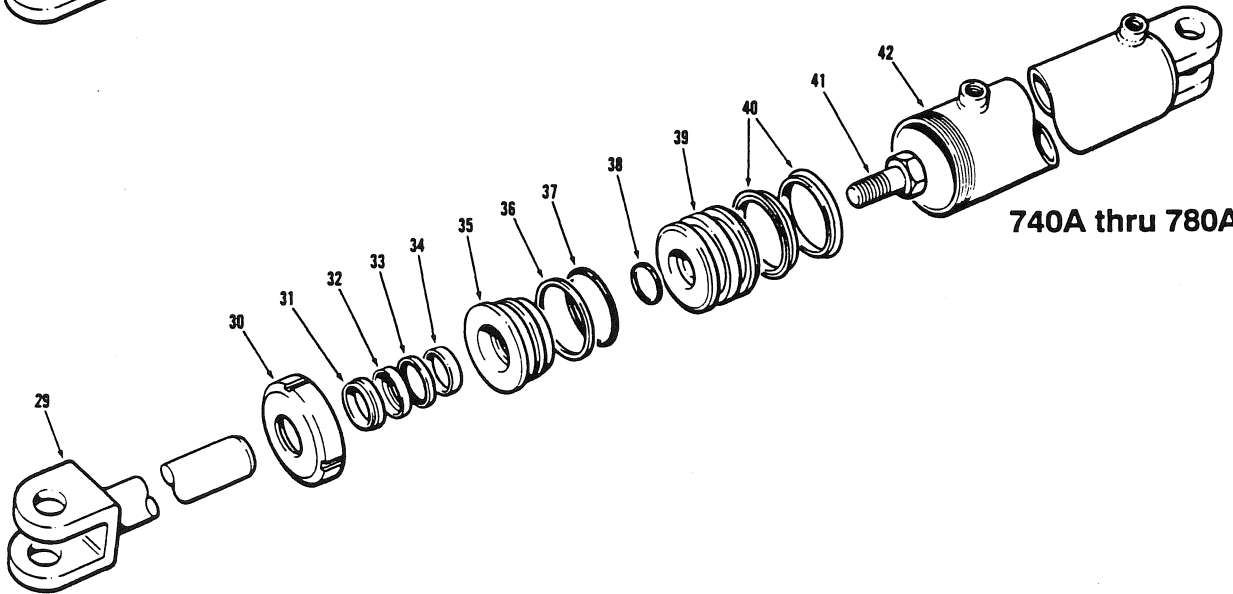
NOT AVAILABLE
SEPARATELY



710A



720A & 730A



740A thru 780A

ISSUE No.
N° D'ÉMISSION
N° DE EDICION

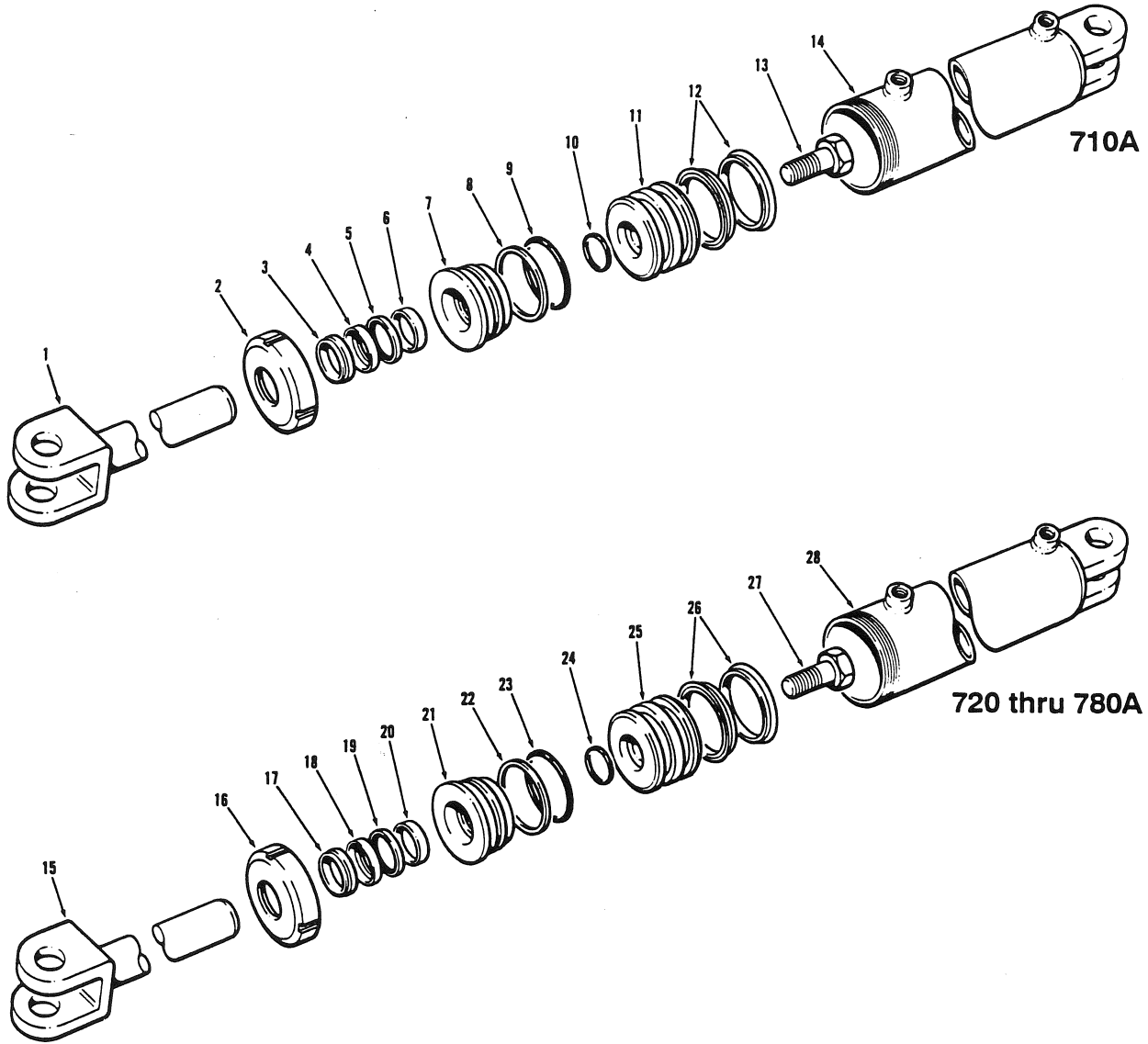
EFFECTIVE SERIAL NUMBER(S) 20805, 20806, 20808 & UP
NUMERO(S) DE SÉRIE EFFECTIF(S)
NUMERO(S) DE SERIE EFECTIVO(S)

700 SERIES
SERIE 700

SECTION 4

PAGE 43
PAGINA 43

SECTION SECCION		PAGE PAGINA	ISSUE No. N° D'ÉMISSION N° DE EDICION	ARTICULATION CYLINDERS		AUGUST 1990			
No. N° N°	PART No. N° DE PIÈCE N° DE PIEZA	DESCRIPTION DÉSCRIPTION DESCRIPCION	No. REQ N° REQ. N° REQ.	REMARKS REMARQUES NOTAS	No. N° N°	PART No. N° DE PIÈCE N° DE PIEZA	DESCRIPTION DÉSCRIPTION DESCRIPCION	No. REQ N° REQ. N° REQ.	REMARKS REMARQUES NOTAS
	46057	ARTICULATION CYLINDER ASSEMBLY - INCLUDES ITEMS 1 TO 14	2	MODEL 710A		53788	ARTICULATION CYLINDER ASSEMBLY - INCLUDES ITEMS 19 TO 32	2	MODELS 740A thru 780A
	48953	REPAIR KIT FOR 46057 CYLINDER ASSEMBLY - INCLUDES ITEMS 3 TO 6, 8 TO 10, 12 & 13	1			54436	REPAIR KIT FOR 53788 CYLINDER ASSEMBLY - INCLUDES ITEMS 31 TO 34, 36 TO 38, 40 & 41	1	
1	46322	PISTON ROD	1						
2	17608	CYLINDER NUT	1		29	46322	PISTON ROD	1	
3	12035	WIPER RING	1		30	13007	CYLINDER NUT	1	
4	12037	ROD SEAL	2		31	12035	WIPER RING	1	
5	45890	BUFFER RING	1		32	12037	ROD SEAL	1	
6	43074	WEAR RING	1		33	45890	BUFFER RING	1	
7	45734	GLAND	1		34	43074	WEAR RING	1	
8	44266	BACK-UP RING	1		35	45735	GLAND	1	
9	44244	O RING	1		36	44344	BACK-UP RING	1	
10	12A-224	O-RING	1		37	44245	O RING	1	
11	42151	PISTON	1		38	12A-224	O RING	1	
12	12036	PISTON SEAL	2		39	53797	PISTON	1	
13	50A-1620	BOLT	1		40	53799	PISTON SEAL	2	
14	46056	CYLINDER BARREL	1		41	50A-1620	BOLT	1	
					42	53787	CYLINDER BARREL	1	
	53783	ARTICULATION CYLINDER ASSEMBLY - L.H. - INCLUDES ITEMS 15 TO 28	1	MODELS 720A & 730A					
	53784	ARTICULATION CYLINDER ASSEMBLY - R.H. - INCLUDES ITEMS 15 TO 28	1						
	54436	REPAIR KIT FOR 53783 & 53784 CYLINDER ASSEMBLIES - INCLUDES ITEMS 17 TO 20, 22 TO 24, 26 & 27	1						
15	48400	PISTON ROD	1						
16	13007	CYLINDER NUT	1						
17	12035	WIPER RING	1						
18	12037	ROD SEAL	1						
19	45890	BUFFER RING	1						
20	43074	WEAR RING	1						
21	45735	GLAND	1						
22	44344	BACK-UP RING	1						
23	44245	O RING	1						
24	12A-224	O RING	1						
25	53797	PISTON	1						
26	53799	PISTON SEAL	2						
27	50A-1620	BOLT	1						
28	53781	CYLINDER BARREL - L.H.	1						
	53782	CYLINDER BARREL - R.H.	1						



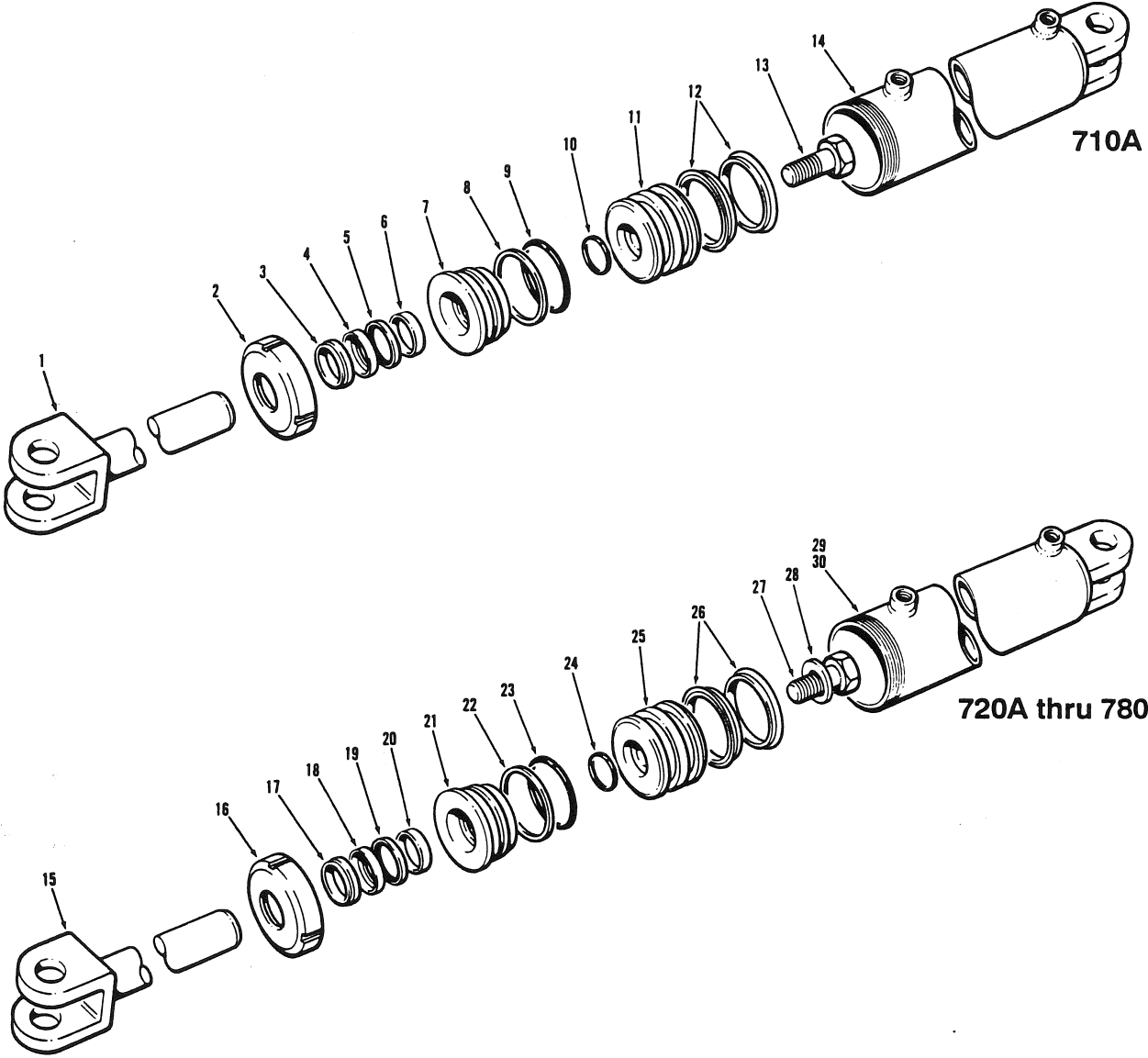
EFFECTIVE SERIAL NUMBER(S) 20893 & UP
 NUMERO(S) DE SÉRIE EFFECTIF(S)
 NUMERO(S) DE SERIE EFECTIVO(S)

700 SERIES
 SERIE 700

SECTION 4
 SECCION 4

PAGE 43
 PAGINA 43

SECTION SECCION		PAGE PAGINA	ISSUE No. N° D'ÉMISSION N° DE EDICION	2 REVISION A	ARTICULATION CYLINDERS			OCTOBER 1990		
No. N° N°	PART No. N° DE PIÈCE N° DE PIEZA	DESCRIPTION DESCRIPTION DESCRIPCION	No. REQ. N° REQ. N° REQ.	REMARKS REMARQUES NOTAS	No. N° N°	PART No. N° DE PIECE N° DE PIEZA	DESCRIPTION DESCRIPTION DESCRIPCION	No. REQ. N° REQ. N° REQ.	REMARKS REMARQUES NOTAS	
	*59031	ARTICULATION CYLINDER ASSEMBLY - INCLUDES ITEMS 1 TO 14	2	MODEL 710A						
	48953	REPAIR KIT FOR 59031 CYLINDER ASSEMBLY - INCLUDES ITEMS 3 TO 6, 8 TO 10, 12 & 13	1							
1	*59032	PISTON ROD	1							
2	17608	CYLINDER NUT	1							
3	12035	WIPER RING	1							
4	12037	ROD SEAL	2							
5	45890	BUFFER RING	1							
6	43074	WEAR RING	1							
7	45734	GLAND	1							
8	44266	BACK-UP RING	1							
9	44244	O RING	1							
10	12A-224	O-RING	1							
11	42151	PISTON	1							
12	12036	PISTON SEAL	2							
13	50A-1620	BOLT	1							
14	*59033	CYLINDER BARREL	1							
	*56928	ARTICULATION CYLINDER ASSEMBLY - L.H. - INCLUDES ITEMS 15 TO 28	1	MODELS 720 thru 780A						
	*56927	ARTICULATION CYLINDER ASSEMBLY - R.H. - INCLUDES ITEMS 15 TO 28	1							
	54436	REPAIR KIT FOR 56927 & 56928 CYLINDER ASSEMBLIES - INCLUDES ITEMS 17 TO 20, 22 TO 24, 26 & 27	1							
15	*56931	PISTON ROD	1							
16	13007	CYLINDER NUT	1							
17	12035	WIPER RING	1							
18	12037	ROD SEAL	1							
19	45890	BUFFER RING	1							
20	43074	WEAR RING	1							
21	45735	GLAND	1							
22	44344	BACK-UP RING	1							
23	44245	O RING	1							
24	12A-224	O RING	1							
25	53797	PISTON	1							
26	53799	PISTON SEAL	2							
27	50A-1620	BOLT	1							
28	*56930	CYLINDER BARREL - L.H.	1							
	*56929	CYLINDER BARREL - R.H.	1							



FOR LIST OF PARTS - TURN THIS PAGE
POUR LA LISTE DES PIÈCES - VOIR AU VERSO
PARA LA LISTA DE LAS PIEZAS - VER AL VERSO

ARTICULATION CYLINDERS

ISSUE No. 3
N° D'ÉMISSION 3
N° DE EDICION 3

EFFECTIVE SERIAL NUMBER(S) 22095 & UP
NUMERO(S) DE SÉRIE EFFECTIFS
NUMERO(S) DE SERIE EFECTIVOIS

700 SERIES
SERIE 700

SECTION 4 PAGE 43
SECCION 4 PAGINA 43

SECTION SECCION		PAGE PAGINA		ISSUE No. N° D'ÉMISSION N° DE EDICION		ARTICULATION CYLINDERS			DECEMBER 1991	
No. N° N°	PART No. N° DE PIÈCE N° DE PIEZA	DESCRIPTION DESCRIPTION DESCRIPCION	No. REQ. N° REQ. N° REQ.	REMARKS REMARQUES NOTAS	No. N° N°	PART No. N° DE PIÈCE N° DE PIEZA	DESCRIPTION DESCRIPTION DESCRIPCION	No. REQ. N° REQ. N° REQ.	REMARKS REMARQUES NOTAS	
	59031	ARTICULATION CYLINDER ASSEMBLY - INCLUDES ITEMS 1 to 14	2	710A						
	48953	REPAIR KIT FOR 59031 CYLINDER ASSEMBLY - INCLUDES ITEMS 3 to 6, 8 to 10, 12 & 13	1							
1	59032	PISTON ROD	1							
2	17608	CYLINDER NUT	1							
3	12035	WIPER RING	1							
4	12037	ROD SEAL	2							
5	45890	BUFFER RING	1							
6	43074	WEAR RING	1							
7	45734	GLAND	1							
8	44266	BACK-UP RING	1							
9	44244	O RING	1							
10	12A-224	O-RING	1							
11	42151	PISTON	1							
12	12036	PISTON SEAL	2							
13	50A-1620	BOLT	1							
14	59033	CYLINDER BARREL	1							
	*62165	ARTICULATION CYLINDER ASSEMBLY - L.H. - INCLUDES ITEMS 15 to 29	1	720A thru 780A						
	*62166	ARTICULATION CYLINDER ASSEMBLY - R.H. - INCLUDES ITEMS 15 to 28 & 30	1	720A thru 780A						
	54436	REPAIR KIT FOR 62165 & 62166 CYLINDER ASSEMBLIES - INCLUDES ITEMS 17 to 20, 22 to 24, 26 & 27	1							
15	*59737	PISTON ROD	1							
16	13007	CYLINDER NUT	1							
17	12035	WIPER RING	1							
18	12037	ROD SEAL	1							
19	45890	BUFFER RING	1							
20	43074	WEAR RING	1							
21	45735	GLAND	1							
22	44344	BACK-UP RING	1							
23	44245	O-RING	1							
24	12A-224	O-RING	1							
25	*62184	PISTON	1							
26	53799	PISTON SEAL	2							
27	*59190	BOLT	1							
28	*49380	WASHER	1							
29	56930	CYLINDER BARREL - L.H.	1							
30	56929	CYLINDER BARREL - R.H.	1							

CHAMPION ROAD MACHINERY

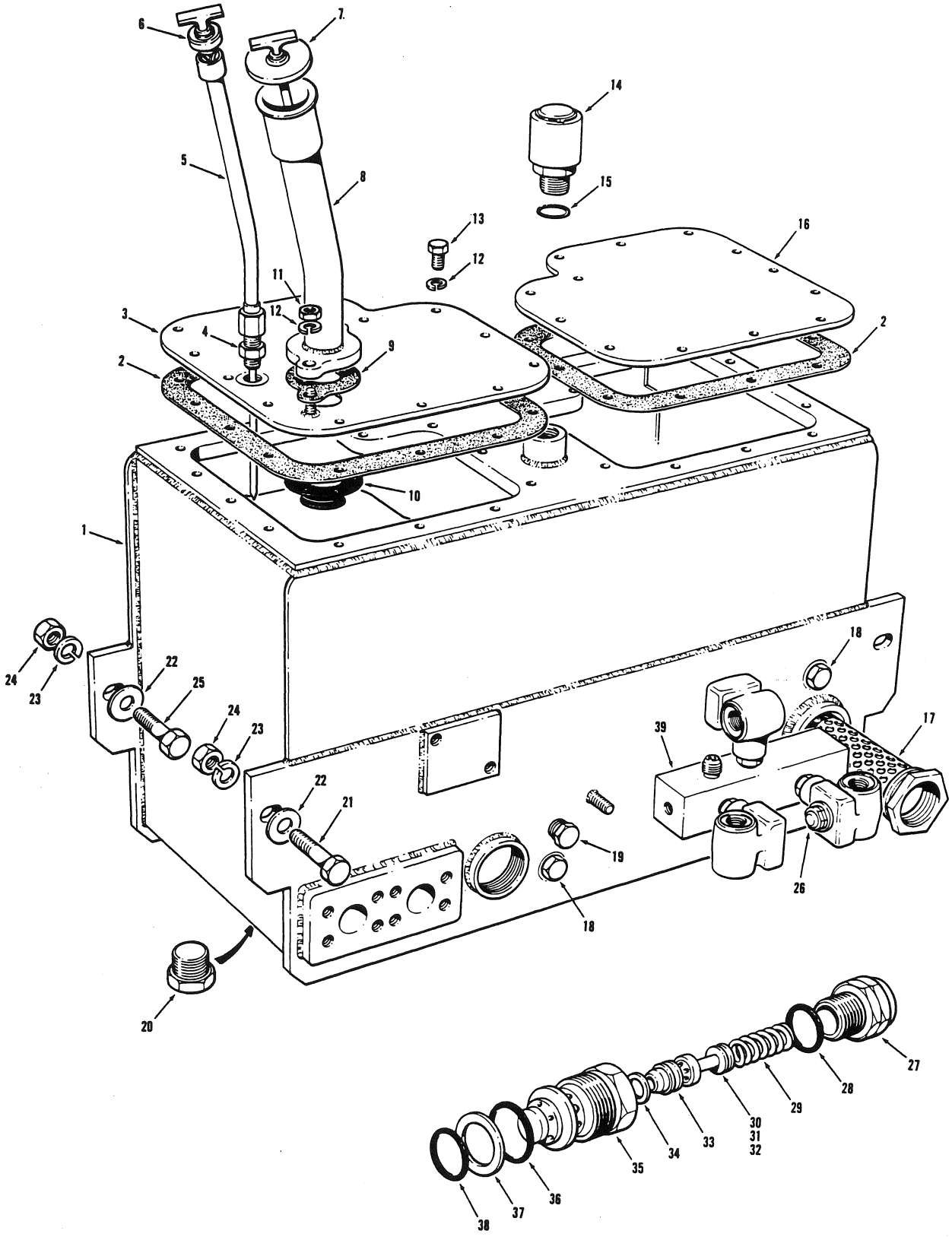
DECEMBER 1991

HYDRAULIC OIL TANK & RELIEF VALVE ASSEMBLY

FOR LIST OF PARTS - TURN THIS PAGE PARA LA LISTA DE LAS PIEZAS - VOIR AU VERSO

1 REVISION A

ISSUE No.
N° D'ÉMISSION
N° DE EDICION



EFFECTIVE SERIAL NUMBER(S) 20805, 20806, 20808 & UP
 NUMERO(S) DE SÉRIE EFFECTIF(S)
 NUMERO(S) DE SERIE EFECTIVO(S)

700 SERIES
 SERIE 700

SECTION 4 PAGE 45
 SECCION 4 PAGINA 45

SECTION SECCION		PAGE PAGINA		ISSUE No. N° D'ÉMISSION N° DE EDICION		1 REVISION A		HYDRAULIC OIL TANK & RELIEF VALVE ASSEMBLY		DECEMBER 1991	
No. N° N°	PART No. N° DE PIÈCE N° DE PIEZA	DESCRIPTION DÉSCRIPTION DESCRIPCION	No. REQ. N° REQ. N° REQ.	REMARKS REMARQUES NOTAS	No. N° N°	PART No. N° DE PIÈCE N° DE PIEZA	DESCRIPTION DÉSCRIPTION DESCRIPCION	No. REQ. N° REQ. N° REQ.	REMARKS REMARQUES NOTAS		
	54966	HYDRAULIC OIL TANK ASSEMBLY - INCLUDES ITEMS 1 TO 20			26	53394	RELIEF VALVE ASSEMBLY - INCLUDES ITEMS 27 TO 38	3			
1	*59331	OIL TANK	1			27547	SERVICE KIT FOR 53394 - INCLUDES ITEMS 33 & 34	1			
2	53439	GASKET - COVER PLATE	2			45549	SEAL KIT FOR 53394 - INCLUDES ITEMS 28, 36, 37 & 38	1			
3	54352	COVER PLATE - R.H.	1				CAP	1			
4	111E-0808	CONNECTOR	1		27		O-RING	1			
5	53468	DIPSTICK NECK	1		28		SPRING	1			
6	53492	DIPSTICK	1		29	27552	SHIM - .010" (0.25 mm) THICK	1			
7	53491	CAP - OIL FILLER	1		30	50067	SHIM - .020" (0.5 mm) THICK	1			
8	54353	FILLER NECK	1		31	*50066	SHIM - .040" (1.02 mm) THICK	1			
9	53488	GASKET - FILLER NECK	1		32	50065	POPPET	1			
10	53495	STRAINER	1		33		PISTON RING	1			
11	30A-06	NUT	2		34		BODY	1			
12	14A-06	LOCKWASHER	28		35		O-RING	1			
13	50A-0608	BOLT	28		36		BACK-UP WASHER	1			
14	48878	BREATHER	1		37		O-RING	1			
15	116A-12	O-RING	1		38		MANIFOLD BLOCK	REF.	Sect 4		
16	53469	COVER PLATE - L.H.	1						Pgs 15 & 17		
17	54137	DIFFUSER - C/W O-RING	1								
18	111H-08	PLUG	2								
19	115C-08	PLUG	1		39						
20	54040	MAGNETIC PLUG	1								
21	50A-1018	BOLT	2								
22	14C-10	FLATWASHER	4								
23	14A-10	LOCKWASHER	4								
24	30A-10	NUT	4								
25	50A-1018	BOLT	2								