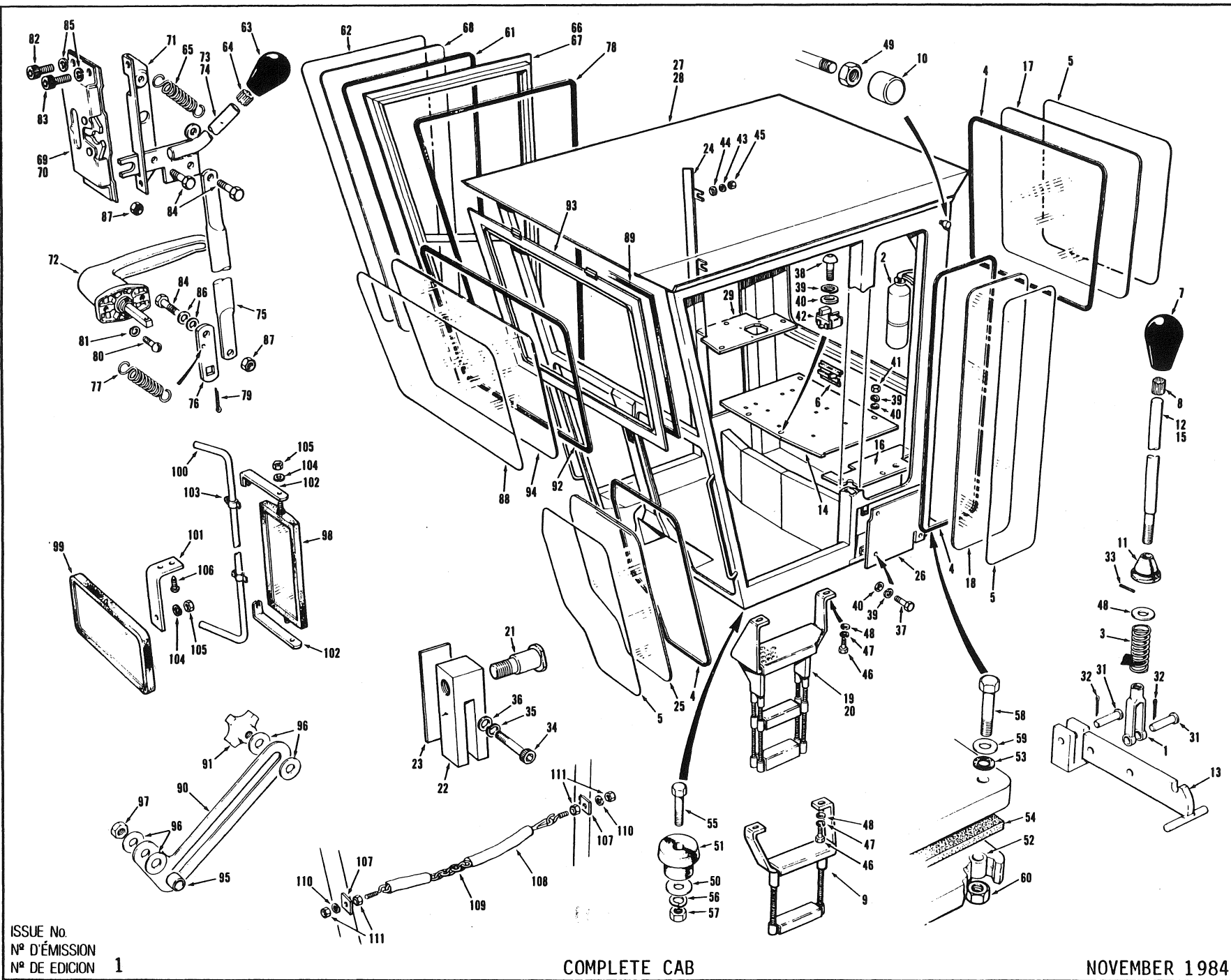


CHAMPION ROAD MACHINERY



COMPLETE CAB

NOVEMBER 1984

FOR LIST OF PARTS - TURN THIS PAGE

POUR LA LISTE DES PIÈCES - VOIR AU VERSO

PARA LA LISTA DE LAS PIEZAS - VER AL VERSO

USE ONLY CHAMPION ROAD MACHINERY APPROVED PARTS

EFFECTIVE SERIAL NUMBERS) 16224, 16245 & UP
 NUMEROS) DE SERIE EFFECTIFS)
 NUMEROS) DE SERIE EFFECTIVOS)
 U.S. 2021-2 & UP

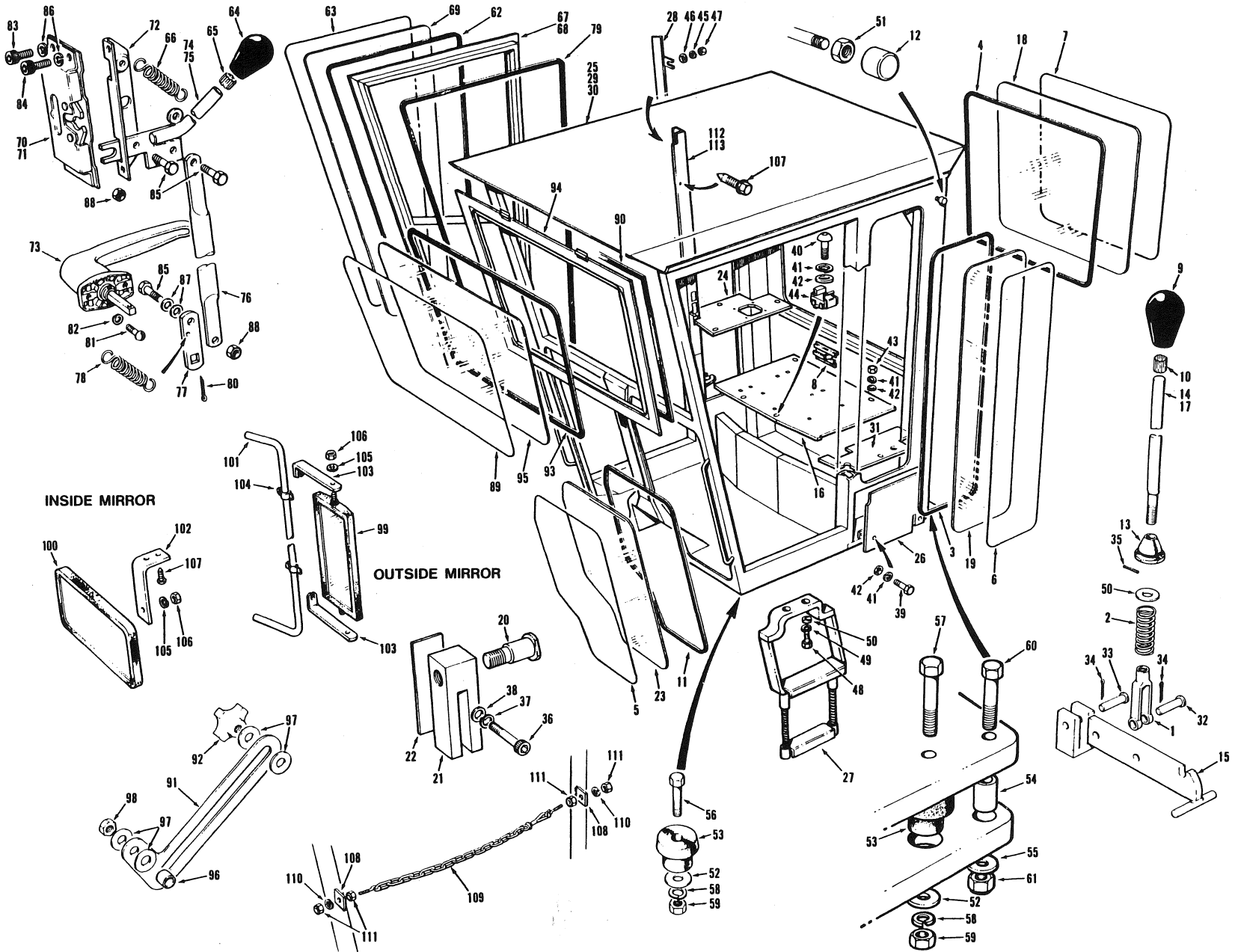
700 SERIES
 SERIE 700

SECTION 11 PAGE
 SECCION 11 PAGINA 1

ISSUE No.
 N° D'ÉMISSION
 N° DE EDICION 1

SECTION 11		PAGE 2	ISSUE No. N° D'ÉMISSION 1	COMPLETE CAB			NOVEMBER 1984		
No. N° N°	PART No. N° DE PIÈCE N° DE PIEZA	DESCRIPTION DÉSCRIPTION DESCRIPCION	No. REQ. N° REQ. N° REQ.	REMARKS REMARQUES NOTAS	No. N° N°	PART No. N° DE PIECE N° DE PIEZA	DESCRIPTION DÉSCRIPTION DESCRIPCION	No. REQ. N° REQ. N° REQ.	REMARKS REMARQUES NOTAS
1	1412	YOKE	2				<u>DOORS</u>		OPTIONAL
2	2806	FIRE EXTINGUISHER	1	OPTIONAL	61	15386	RUBBER CHANNEL	A.R.	
3	8065	SPRING	2		62	15388	LOCKING STRIP	A.R.	
4	15386	RUBBER CHANNEL	A.R.		63	17587	KNOB	1	
5	15388	LOCKING STRIP	A.R.		64	17588	INSERT	1	
6	16488	VENT DOOR	1		65	23294	SPRING	1	
7	17587	KNOB	2		66	27617	DOOR - R.H.	1	
8	17588	INSERT	2	OPTIONAL	67	27618	DOOR - L.H.	1	
9	19678	STEP	2		68	28574	GLASS	1	
10	26019	DOOR BUMPER	4		69	28577	LATCH - R.H.	1	
11	26920	GROMMET	2		70	28578	LATCH - L.H.	1	
12	26921	RELEASE ROD - R.H.	1		71	28579	MOUNTING PLATE	1	
13	26938	LATCH	2		72	28581	HANDLE	1	
14	27244	SEAT DECK - CENTER SECTION	1		73	28582	LEVER - L.H.	1	
15	27602	RELEASE ROD - L.H.	1		74	28583	LEVER - R.H.	1	
16	28501-10	SPLIT SEAT DECK SECTION - L.H.	1		75	28586	ROD	1	
17	28571	GLASS - REAR	1		76	28588	LEVER	1	
18	28573	GLASS - SIDE	2		77	28630	SPRING	1	
19	28575	STEP - R.H.	1		78	28709	WEATHER SEAL	A.R.	
20	28576	STEP - L.H.	1		79	13A-0212	COTTER PIN	1	
21	28580	STRIKER PIN	2		80	52L-0803	MACHINE SCREW	2	
22	28597	BLOCK - DOOR CATCH	2		81	14F-08	LOCKWASHER	2	
23	28598	SHIM	2		82	50D-0406	BOLT	2	
24	28908	COVER PLATE	1		83	50D-0408	BOLT	2	
25	32416	GLASS - FRONT	1		84	51A-0406	BOLT	3	
26	32633	SIDE PANEL - BOTTOM	2		85	14A-04	LOCKWASHER	4	
27	35186	CAB WELDED ASSY. - COMPLETE R.O.P.S. CAB	1		86	14C-04	FLATWASHER	1	
28	35187	CAB WELDED ASSY. - R.O.P.S. CAB SHELL	1		87	37D-04	LOCKNUT	3	
29	40097	SPLIT SEAT DECK SECTION - R.H.	1						
31	10A-0618	CLEVIS PIN	4				<u>WINDSHIELD INSTALLATION</u>		OPTIONAL
32	13A-0316	COTTER PIN	4						
33	13J-0416	ROLL PIN	2		88	15388	LOCKING STRIP	A.R.	
34	50D-0410	BOLT	4		89	19176	WEATHER STRIP	A.R.	
35	14A-04	LOCKWASHER	4		90	19784	ADJUSTING SLIDE	2	
36	14C-04	FLATWASHER	4		91	19890	KNOB	2	
37	50A-0506	BOLT	12		92	23017	RUBBER CHANNEL	A.R.	
38	50F-0508	BOLT	4		93	33280	WINDSHIELD FRAME	1	
39	14A-05	LOCKWASHER	20		94	33281	GLASS	1	
40	14C-05	FLATWASHER	22		95	33284	SPACER	2	
41	30A-05	NUT	6		96	14C-06	FLATWASHER	6	
42	38A-0504	CAGENUT	4		97	36D-06	LOCKNUT	2	
43	14A-06	LOCKWASHER	3				<u>MIRROR INSTALLATION</u>		OPTIONAL
44	14C-06	FLATWASHER	3		98	8596A	MIRROR - OUTSIDE	A.R.	
45	30A-06	NUT	3		99	8597A	MIRROR - INSIDE - INCLUDES ITEMS 104 & 105	1	
46	50A-0810	BOLT	4		100	28656-1	MOUNTING BAR	A.R.	
47	14A-08	LOCKWASHER	4		101	28760-1	BRACKET	1	
48	14C-08	FLATWASHER	5		102	32323	BRACKET	A.R.	
49	30D-08	NUT	4		103	32892	INSTALLATION KIT - C/W CLAMPS & HARDWARE	A.R.	
		<u>CAB MOUNTS</u>			104	14A-05	LOCKWASHER	5	
50	11967	WASHER	2		105	30A-05	NUT	5	
51	11970	RUBBER MOUNT	2		106	62A-1006	SCREW	2	
52	19679	BUSHING	8				<u>DOOR SAFETY CHAIN INSTALLATION</u>		OPTIONAL
53	19680	RUBBER WASHER	16		107	23257	LUG	A.R.	
54	28595	SUPPORT PAD	2		108	23258	LOOM	A.R.	
55	50A-1232	BOLT	2		109	27217	SAFETY CHAIN	2	
56	14A-12	LOCKWASHER	2		110	14A-06	LOCKWASHER	4	
57	30A-12	NUT	2		111	30A-06	NUT	8	
58	50A-1636	BOLT	8						
59	14C-16	FLATWASHER	16						
60	36D-16	LOCKNUT	8						

CHAMPION ROAD MACHINERY



ISSUE No.
 N° D'ÉMISSION
 N° DE EDICION 2 REVISION C

COMPLETE CAB - R.O.P.S.

APRIL 1988

FOR LIST OF PARTS - TURN THIS PAGE

POUR LA LISTE DES PIÈCES - VOIR AU VERSO

PARA LA LISTA DE LAS PIEZAS - VER AL VERSO

EFFECTIVE SERIAL NUMBER(S) 16848, 16856 TO 18801
 NUMEROS(S) DE SERIE EFFECTIF(S)
 NUMEROS(S) DE SERIE EFFECTIVO(S)
 U.S. 2512-2 & UP

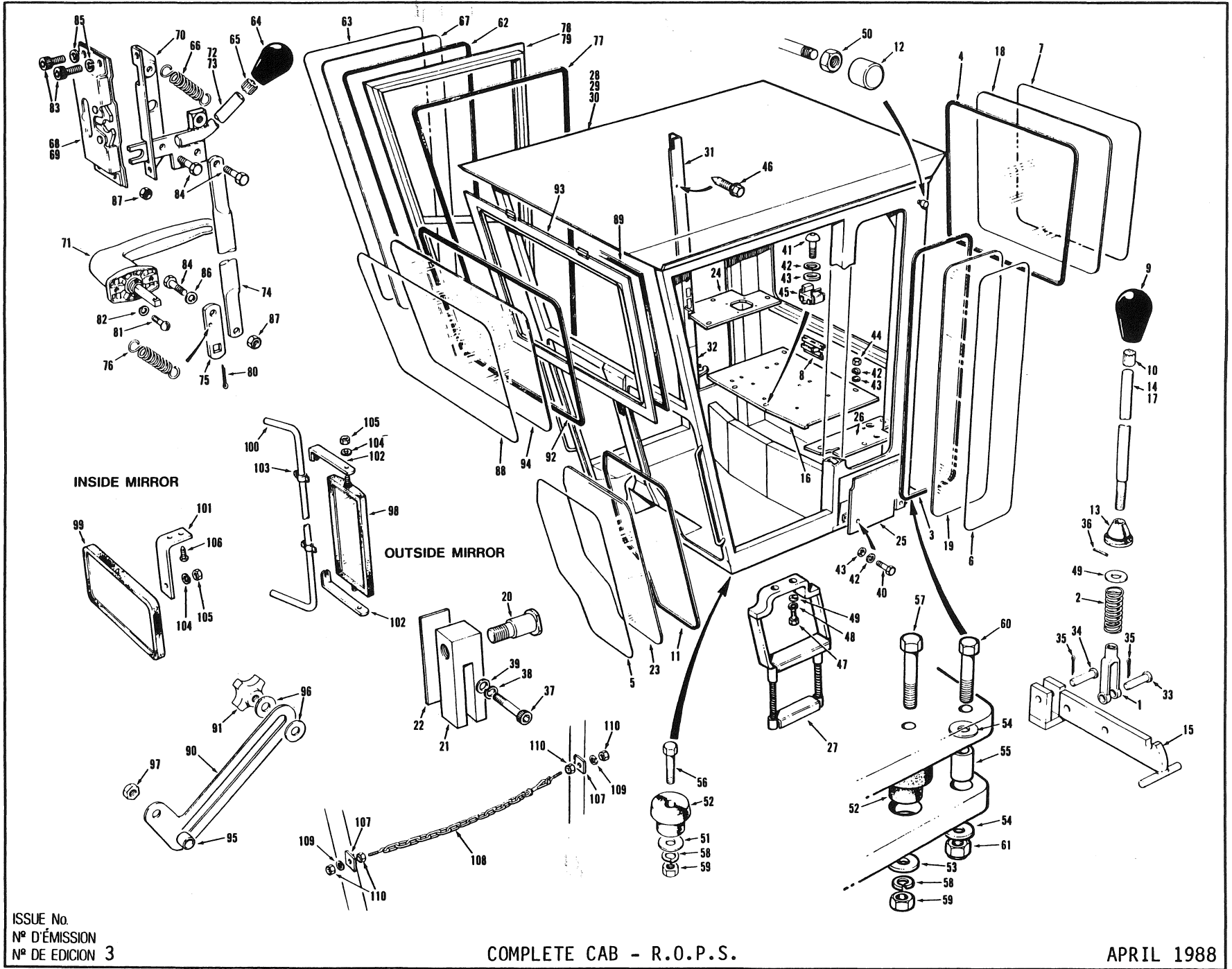
700 SERIES
 SERIE 700

SECTION 11 PAGE 1
 SECCION 11 PAGINA 1

USE ONLY CHAMPION ROAD MACHINERY APPROVED PARTS

SECTION SECCION	11	PAGE PAGINA	2	ISSUE No. N° D'ÉMISSION N° DE EDICION	2	REVISION C	COMPLETE CAB - R.O.P.S.				APRIL 1988
No. N° N°	PART No. N° DE PIÈCE N° DE PIEZA	DESCRIPTION DESCRIPTION DESCRIPCION	No. REQ. N° REQ. N° REQ.	REMARKS REMARQUES NOTAS	No. N° N°	PART No. N° DE PIÈCE N° DE PIEZA	DESCRIPTION DESCRIPTION DESCRIPCION	No. REQ. N° REQ. N° REQ.	REMARKS REMARQUES NOTAS		
1	1412	YOKE	2				DOORS		OPTIONAL		
2	8065	SPRING	2								
3	15386 X 148	RUBBER CHANNEL - 148 INCHES LONG	2		62	15386 X 192	RUBBER CHANNEL - 192 INCHES LONG	1			
4	15386 X 180	RUBBER CHANNEL - 180 INCHES LONG	1		63	15388 X 192	LOCKING STRIP - 192 INCHES LONG	1			
5	15388 X 120	LOCKING STRIP - 120 INCHES LONG	2		64	17587	KNOB	1			
6	15388 X 148	LOCKING STRIP - 148 INCHES LONG	2		65	17588	INSERT	1			
7	15388 X 180	LOCKING STRIP - 180 INCHES LONG	1		66	23294	SPRING	1			
8	16488	VENT DOOR	1		67	27617	DOOR - R.H.	1			
9	17587	KNOB	2		68	27618	DOOR - L.H.	1			
10	17588	INSERT	2		69	28574	GLASS	1			
11	23017 X 120	RUBBER CHANNEL - 120 INCHES LONG	2		70	28577	LATCH - R.H.	1			
12	26019	DOOR BUMPER	4		71	28578	LATCH - L.H.	1			
13	26920	GROMMET	2		72	28579	MOUNTING PLATE	1			
14	26921	RELEASE ROD - L.H.	1		73	28581	HANDLE	1			
15	26938	LATCH	2		74	28582	LEVER - L.H.	1			
16	41250	SEAT DECK - CENTER SECTION	1		75	28583	LEVER - R.H.	1			
17	27602	RELEASE ROD - R.H.	1		76	28586	ROD	1			
18	28571	GLASS - REAR	1		77	28588	LEVER	1			
19	28573	GLASS - SIDE	2		78	28630	SPRING	1			
20	28580	STRIKER PIN	2		79	28709 X 210	WEATHER SEAL - 210 INCHES LONG	1			
21	28597	BLOCK - DOOR CATCH	2		80	13A-0212	COTTER PIN	1			
22	28598	SHIM	2		81	52L-0803	MACHINE SCREW	2			
23	32416	GLASS - FRONT	1		82	14F-08	LOCKWASHER	2			
24	40097	SPLIT SEAT DECK SECTION - R.H.	1		83	50D-0406	BOLT	2			
25	43128	CAB WELDED ASS'Y - AIR CONDITIONER	1		84	50D-0408	BOLT	2			
26	41370	SIDE PANEL - BOTTOM	2		85	51A-0406	BOLT	3			
27	41661	STEP	2		86	14A-04	LOCKWASHER	4			
28	42643	COVER PLATE (UP TO 18712, 18714 & 18718)	1		87	14C-04	FLATWASHER	2			
29	43121	CAB WELDED ASS'Y - COMPLETE CAB	1		88	37D-04	NUT	3			
30	43122	CAB WELDED ASS'Y - CAB SHELL	1				WINDSHIELD INSTALLATION		OPTIONAL		
31	43451	SPLIT SEAT DECK SECTION - L.H.	1								
32	10A-0616	CLEVIS PIN	2		89	15388 X 168	LOCKING STRIP - 168 INCHES LONG	1			
33	10A-0622	CLEVIS PIN	2		90	19176 X 180	WEATHER STRIP - 180 INCHES LONG	1			
34	13A-0316	COTTER PIN	4		91	19784	ADJUSTING SLIDE	2			
35	13J-0416	ROLL PIN	2		92	19890	KNOB	2			
36	50D-0410	BOLT	4		93	23017 X 168	RUBBER CHANNEL - 168 INCHES LONG	1			
37	14A-04	LOCKWASHER	4		94	33280	WINDSHIELD FRAME	1			
38	14C-04	FLATWASHER	4		95	33281	GLASS	1			
39	50A-0506	BOLT	8		96	33284	SPACER	2			
40	50F-0508	BOLT	4		97	14C-06	FLATWASHER	4			
41	14A-05	LOCKWASHER	16		98	36D-06	NUT	2			
42	14C-05	FLATWASHER	18				MIRROR INSTALLATION		OPTIONAL		
43	30A-05	NUT	6								
44	38A-0504	CAGENUT	4		99	8596A	MIRROR - OUTSIDE	1			
45	14A-06	LOCKWASHER	3		100	8597A	MIRROR - INSIDE - INCLUDES ITEMS 105 & 106	1			
46	14C-06	FLATWASHER	3		101	28656-1	MOUNTING BAR	1			
47	30A-06	NUT	3		102	28760-1	BRACKET	1			
48	50A-0810	BOLT	4		103	32323	BRACKET	2			
49	14A-08	LOCKWASHER	4		104	32892	INSTALLATION KIT - C/W CLAMPS & HARDWARE	1			
50	14C-08	FLATWASHER	6		105	14A-05	LOCKWASHER	5			
51	30D-08	NUT	4		106	30A-05	NUT	5			
		CAB MOUNTS			107	62A-1006	SCREW	2			
52	11967	WASHER	2				DOOR SAFETY CHAIN INSTALLATION		OPTIONAL		
53	11970	RUBBER MOUNT	4								
54	43082	SPACER	8		108	23257	LUG	4			
55	43084	FLATWASHER	8		109	27217	SAFETY CHAIN	2			
56	50A-1232	BOLT	2		110	14A-06	LOCKWASHER	4			
57	50A-1236	BOLT	2		111	30A-06	NUT	8			
58	14A-12	LOCKWASHER	4								
59	30A-12	NUT	4		112	*48091	UPPER COVER PLATE (SER. 18713, 18715 TO	1			
60	50A-1636	BOLT	8		113	*48202	LOWER COVER PLATE (SER. 18717, 18719 & UP)	1			
61	36D-16	NUT	8								

CHAMPION ROAD MACHINERY



USE ONLY CHAMPION ROAD MACHINERY APPROVED PARTS

COMPLETE CAB - R.O.P.S.

APRIL 1988

ISSUE No.
N° D'ÉMISSION
N° DE EDICION 3

FOR LIST OF PARTS - TURN THIS PAGE

POUR LA LISTE DES PIÈCES - VOIR AU VERSO

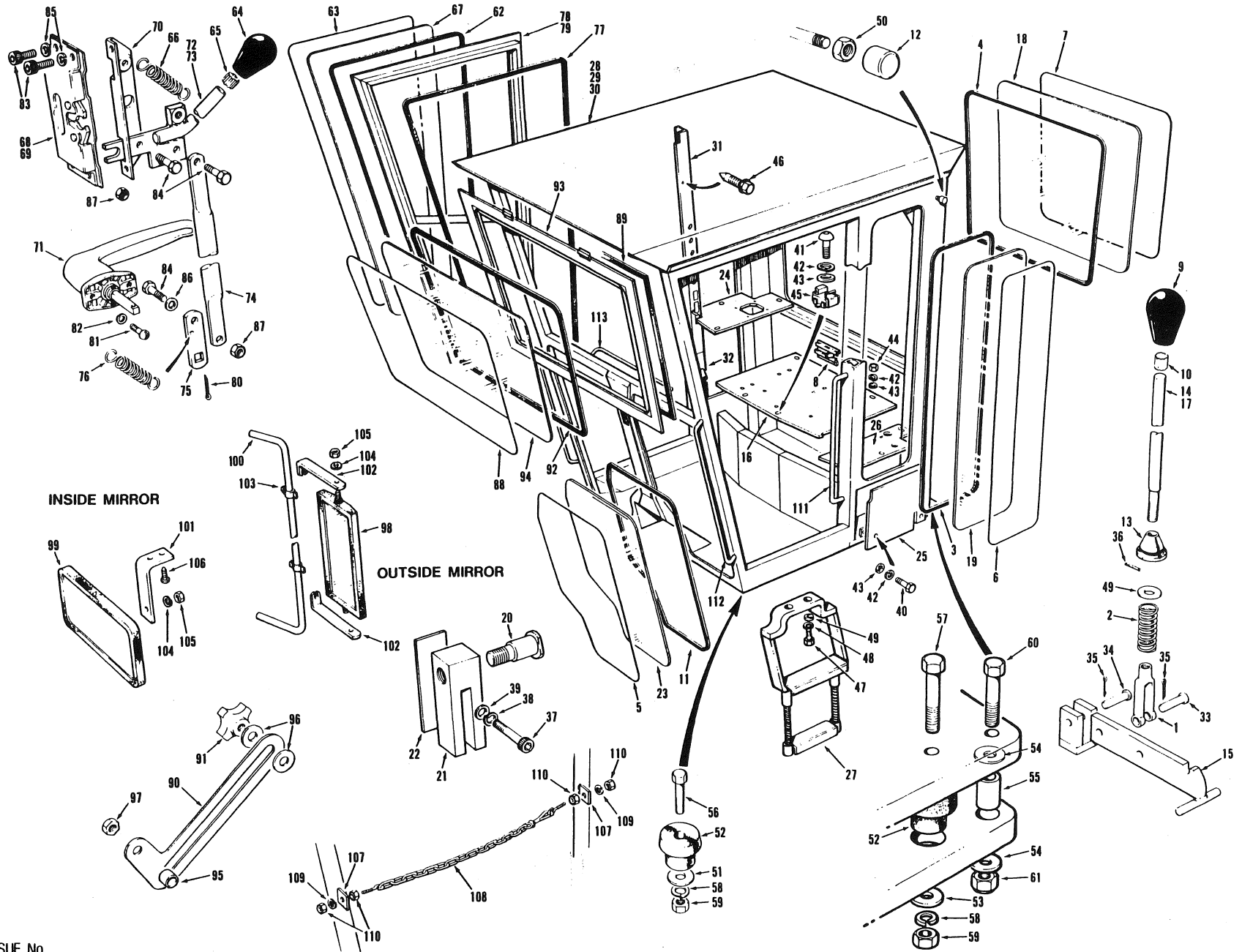
PARA LA LISTA DE LAS PIEZAS - VER AL VERSO

EFFECTIVE SERIAL NUMBER(S) 18802, 18878 & UP
NUMEROS(S) DE SERIE EFFECTIFS(S)
NUMEROS(S) DE SERIE EFFECTIVOS(S)

700 SERIES
SERIE 700

SECTION 11 PAGE 1
SECTION 11 PAGINA 1

CHAMPION ROAD MACHINERY



INSIDE MIRROR

OUTSIDE MIRROR

COMPLETE CAB - R.O.P.S.

SEPTEMBER 1988

FOR LIST OF PARTS - TURN THIS PAGE

POUR LA LISTE DES PIÈCES - VOIR AU VERSO

PARA LA LISTA DE LAS PIEZAS - VER AL VERSO

EFFECTIVE SERIAL NUMBERS)
NUMEROS) DE SERIE EFFECTIFS)
NUMEROS) DE SERIE EFECTIVOS)

19133 & UP

700 SERIES
SERIE 700

SECTION 11 PAGE 1
SECTION 11 PAGINA 1

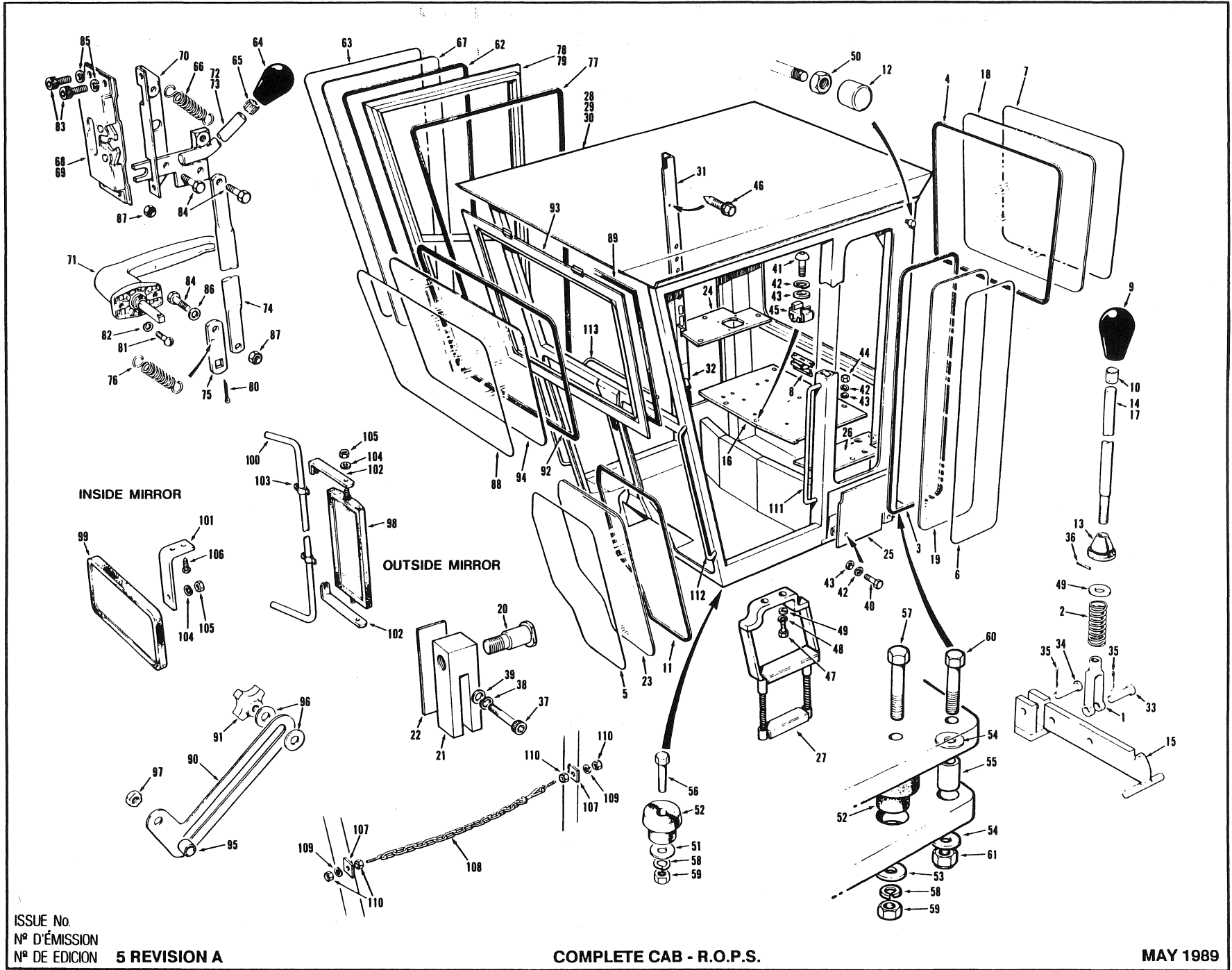
ISSUE No.
N° D'ÉMISSION
N° DE EDICION 4

USE ONLY CHAMPION ROAD MACHINERY APPROVED PARTS

SECTION SECCION	11	PAGE PAGINA	2	ISSUE No. N° D'ÉMISSION N° DE EDICION	4	COMPLETE CAB - R.O.P.S.			SEPTEMBER 1988
No. N° N°	PART No. N° DE PIÈCE N° DE PIEZA	DESCRIPTION DESCRIPTION DESCRIPCION	No. REQ. N° REQ. N° REQ.	REMARKS REMARQUES NOTAS	No. N° N°	PART No. N° DE PIECE N° DE PIEZA	DESCRIPTION DESCRIPTION DESCRIPCION	No. REQ. N° REQ. N° REQ.	REMARKS REMARQUES NOTAS
1	1412	YOKE	2						
2	8065	SPRING	2				DOORS		OPTIONAL
3	15386 X 148	RUBBER CHANNEL - 148 INCHES LONG	2						
4	15386 X 180	RUBBER CHANNEL - 180 INCHES LONG	1		62	15386 X 192	RUBBER CHANNEL - 192 INCHES LONG	1	
5	15388 X 120	LOCKING STRIP - 120 INCHES LONG	2		63	15388 X 192	LOCKING STRIP - 192 INCHES LONG	1	
6	15388 X 148	LOCKING STRIP - 148 INCHES LONG	2		64	17587	KNOB	1	
7	15388 X 180	LOCKING STRIP - 180 INCHES LONG	1		65	17588	INSERT	1	
8	16488	VENT DOOR	1		66	23294	SPRING	1	
9	17587	KNOB	2		67	28574	GLASS	1	
10	17588	INSERT	2		68	28577	LATCH - R.H.	1	
11	23017 X 120	RUBBER CHANNEL - 120 INCHES LONG	2		69	28578	LATCH - L.H.	1	
12	26019	DOOR BUMPER	4		70	28579	MOUNTING PLATE	1	
13	26920	GROMMET	2		71	28581	HANDLE	1	
14	26921	RELEASE ROD - L.H.	1		72	28582	LEVER - L.H.	1	
15	26938	LATCH	2		73	28583	LEVER - R.H.	1	
16	41250	SEAT DECK - CENTER SECTION	1		74	28586	ROD	1	
17	27602	RELEASE ROD - R.H.	1		75	28588	LEVER	1	
18	28571	GLASS - REAR	1		76	28630	SPRING	1	
19	28573	GLASS - SIDE	2		77	45378 X 210	WEATHER SEAL - 210 INCHES LONG	1	
20	28580	STRIKER PIN	2		78	46753	DOOR - R.H.	1	
21	28597	BLOCK - DOOR CATCH	2		79	46754	DOOR - L.H.	1	
22	28598	SHIM	4		80	13A-0212	COTTER PIN	1	
23	32416	GLASS - FRONT	2		81	52L-0803	MACHINE SCREW	2	
24	40097	SPLIT SEAT DECK SECTION - R.H.	1		82	14F-08	LOCKWASHER	2	
25	41370	SIDE PANEL - BOTTOM	2		83	50D-0408	BOLT	2	
26	46560	SPLIT SEAT DECK SECTION - L.H.	1		84	50A-0406	BOLT	3	
27	46751	STEP	2		85	14A-04	LOCKWASHER	4	
28	46775	CAB WELDED ASS'Y - COMPLETE CAB	1		86	14C-04	FLATWASHER	1	
29	46776	CAB WELDED ASS'Y - CAB SHELL	1		87	36D-04	NUT	5	
30	46781	CAB WELDED ASS'Y - AIR CONDITIONER	1				WINDSHIELD INSTALLATION		OPTIONAL
31	*48803	UPPER COVER PLATE	1						
32	*48788	LOWER COVER PLATE	1						
33	10A-0616	CLEVIS PIN	2		88	15388 X 168	LOCKING STRIP - 168 INCHES LONG	1	
34	10A-0622	CLEVIS PIN	2		89	19176 X 180	WEATHER STRIP - 180 INCHES LONG	1	
35	13A-0316	COTTER PIN	4		90	19784	ADJUSTING SLIDE	2	
36	13C-0416	ROLL PIN	2		91	19890	KNOB	2	
37	50A-0410	BOLT	4		92	23017 X 168	RUBBER CHANNEL - 168 INCHES LONG	1	
38	14J-04	LOCKWASHER	4		93	33280	WINDSHIELD FRAME	1	
39	14C-04	FLATWASHER	4		94	33281	GLASS	1	
40	50A-0506	BOLT	8		95	33284	SPACER	2	
41	50F-0508	BOLT	4		96	14C-06	FLATWASHER	4	
42	14A-05	LOCKWASHER	16		97	36D-06	NUT	2	
43	14C-05	FLATWASHER	18				MIRROR INSTALLATION		OPTIONAL
44	30A-05	NUT	6						
45	38A-0503	CAGENUT	4		98	8596A	MIRROR - OUTSIDE	1	
46	62A-1006	SCREW	8		99	8597A	MIRROR - INSIDE - INCLUDES ITEMS 104 & 105	1	
47	50A-0810	BOLT	4		100	28656-1	MOUNTING BAR	1	
48	14A-08	LOCKWASHER	4		101	28760-1	BRACKET	1	
49	14C-08	FLATWASHER	6		102	32323	BRACKET	2	
50	30D-08	NUT	4		103	32892	INSTALLATION KIT - C/W CLAMPS & HARDWARE	1	
		CAB MOUNTS			104	14A-05	LOCKWASHER	5	
51	11967	WASHER	2		105	30A-05	NUT	5	
52	11970	RUBBER MOUNT	4		106	62A-1006	SCREW	2	
53	30075	FLATWASHER	2				DOOR SAFETY CHAIN INSTALLATION		OPTIONAL
54	*49380	FLATWASHER	12		107	23257	LUG	4	
55	46800	SPACER	8		108	27217	SAFETY CHAIN	2	
56	50A-1232	BOLT	2		109	14A-06	LOCKWASHER	4	
57	50A-1236	BOLT	2		110	30A-06	NUT	8	
58	14A-12	LOCKWASHER	4						
59	30A-12	NUT	4		111	*46837	HANDLE - GRAB	2	REPAIR PART
60	50A-1836	BOLT	8		112	*46838	HANDLE - GRAB	2	
61	36N-18	NUT	8		113	*46874	HANDLE - GRAB	1	

CHAMPION ROAD MACHINERY

USE ONLY  CHAMPION ROAD MACHINERY APPROVED PARTS



ISSUE No.
N° D'ÉMISSION
N° DE EDICION **5 REVISION A**

COMPLETE CAB - R.O.P.S.

MAY 1989

FOR LIST OF PARTS - TURN THIS PAGE POUR LA LISTE DES PIÈCES - VOIR AU VERSO PARA LA LISTA DE LAS PIEZAS - VER AL VERSO

EFFECTIVE SERIAL NUMBER(S)
NUMERO(S) DE SÉRIE EFFECTIF(S)
NUMEROS) DE SERIE EFECTIVO(S)

700 SERIES
SERIE 700

SECTION 11
SECCION 11
PAGE 1
PAGINA 1

19431, 19458, 19565, 19566, 19568
to 19578, 19580 to 19589, 19591,
19592, 19594 to 19610, 19612 to
19614, 19616, 19618 & UP

SECTION	PAGE	ISSUE No.	REVISION A		COMPLETE CAB - R.O.P.S.				MAY 1989
SECCION	PAGINA	N° D'ÉMISSION	N° DE EDICION						
No. N°	PART No. N° DE PIÈCE N° DE PIEZA	DESCRIPTION DESCRIPTION	No. REQ. N° REQ.	REMARKS REMARQUES NOTAS	No. N°	PART No. N° DE PIECE N° DE PIEZA	DESCRIPTION DESCRIPTION	No. REQ. N° REQ.	REMARKS REMARQUES NOTAS
1	1412	YOKE	2						
2	8065	SPRING	2						
3	15386 X 148	RUBBER CHANNEL - 148 INCHES LONG	2		60	50A-1836	BOLT	8	
4	15386 X 180	RUBBER CHANNEL - 180 INCHES LONG	1		61	36N-18	NUT	8	
5	15388 X 120	LOCKING STRIP - 120 INCHES LONG	2				DOORS		OPTIONAL
6	15388 X 148	LOCKING STRIP - 148 INCHES LONG	2		62	15386 X 192	RUBBER CHANNEL - 192 INCHES LONG	1	
7	15388 X 180	LOCKING STRIP - 180 INCHES LONG	1		63	15388 X 192	LOCKING STRIP - 192 INCHES LONG	1	
8	16488	VENT DOOR	1		64	48556	KNOB	1	
9	48556	KNOB	2		65	17588	INSERT	1	
10	17588	INSERT	2		66	28630	SPRING	1	
11	23017 X 120	RUBBER CHANNEL - 120 INCHES LONG	2		67	28574	GLASS	1	
12	26019	DOOR BUMPER	4		68	28577	LATCH - R.H.	1	
13	26920	GROMMET	2		69	28578	LATCH - L.H.	1	
14	26921	RELEASE ROD - L.H.	1		70	28579	MOUNTING PLATE	1	
15	26938	LATCH	2		71	28581	HANDLE	1	
16	41250	SEAT DECK - CENTER SECTION	1		72	28582	LEVER - L.H.	1	
17	27602	RELEASE ROD - R.H.	1		73	28583	LEVER - R.H.	1	
18	28571	GLASS - REAR	1		74	28586	ROD	1	
19	28573	GLASS - SIDE	2		75	28588	LEVER	1	
20	28580	STRIKER PIN	2		76	28630	SPRING	1	
21	28597	BLOCK - DOOR CATCH	2		77	45378 X 210	WEATHER SEAL - 210 INCHES LONG	1	
22	28598	SHIM	4		78	46753	DOOR - R.H.	1	
23	32416	GLASS - FRONT	2		79	46754	DOOR - L.H.	1	
24	40097	SPLIT SEAT DECK SECTION - R.H.	1		80	13A-0212	COTTER PIN	1	
25	41370	SIDE PANEL - BOTTOM	2		81	52L-0803	MACHINE SCREW	2	
26	46560	SPLIT SEAT DECK SECTION - L.H.	1		82	14F-08	LOCKWASHER	2	
27	46751	STEP	2		83	50D-0408	BOLT	2	
	*51111	STEP L.H.	1	UP TO S/N 19518 S/N 19519 & UP	84	50A-0406	BOLT	3	
	*51112	STEP R.H.	1		85	14A-04	LOCKWASHER	4	
28	49774	CAB WELDED ASS'Y - COMPLETE CAB	1		86	14C-04	FLATWASHER	1	
29	49775	CAB WELDED ASS'Y - CAB SHELL	1		87	36D-04	NUT	5	
30	49780	CAB WELDED ASS'Y - AIR CONDITIONER	1				WINDSHIELD INSTALLATION		
31	48803	UPPER COVER PLATE	1		88	15388 X 168	LOCKING STRIP - 168 INCHES LONG	1	
32	48788	LOWER COVER PLATE	1		89	19176 X 180	WEATHER STRIP - 180 INCHES LONG	1	
33	10A-0616	CLEVIS PIN	2		90	19784	ADJUSTING SLIDE	2	
34	10A-0622	CLEVIS PIN	2		91	19890	KNOB	2	
35	13A-0316	COTTER PIN	4		92	23017 X 168	RUBBER CHANNEL - 168 INCHES LONG	1	
36	13C-0416	ROLL PIN	2		93	33280	WINDSHIELD FRAME	1	
37	50A-0410	BOLT	4		94	33281	GLASS	1	
38	14J-04	LOCKWASHER	4		95	33284	SPACER	2	
39	14C-04	FLATWASHER	4		96	14C-06	FLATWASHER	4	
40	50A-0506	BOLT	8		97	36D-06	NUT	2	
41	50F-0508	BOLT	4				MIRROR INSTALLATION		
42	14A-05	LOCKWASHER	16		98	8596A	MIRROR - OUTSIDE	1	
43	14C-05	FLATWASHER	18		99	8597A	MIRROR - INSIDE - INCLUDES ITEMS 104 & 105	1	
44	30A-05	NUT	6		00	28656-1	MOUNTING BAR	1	
45	38A-0503	CAGENUT	4		01	28760-1	BRACKET	1	
46	62A-1006	SCREW	8		02	*49792	BRACKET	2	
47	50A-0810	BOLT	4		03	32892	INSTALLATION KIT - C/W CLAMPS & HARDWARE	1	
48	14A-08	LOCKWASHER	4		04	14A-05	LOCKWASHER	5	
49	14C-08	FLATWASHER	6		05	30A-05	NUT	5	
50	30D-08	NUT	4		06	62A-1006	SCREW	2	
		CAB MOUNTS					DOOR SAFETY CHAIN INSTALLATION		
51	11967	WASHER	2		07	23257	LUG	4	
52	11970	RUBBER MOUNT	4		08	27217	SAFETY CHAIN	2	
53	30075	FLATWASHER	2		09	14A-06	LOCKWASHER	4	
54	*49380	FLATWASHER	12		10	30A-06	NUT	8	
55	*46800	SPACER	8		11	46837	HANDLE - GRAB	2	REPAIR PART
56	50A-1232	BOLT	2		12	46838	HANDLE - GRAB	2	
57	50A-1236	BOLT	2		13	46874	HANDLE - GRAB	1	
58	14A-12	LOCKWASHER	4						
59	30A-12	NUT	4						

MAY 1990

PARA LA LISTA DE LAS PIEZAS - VER AL VERSO

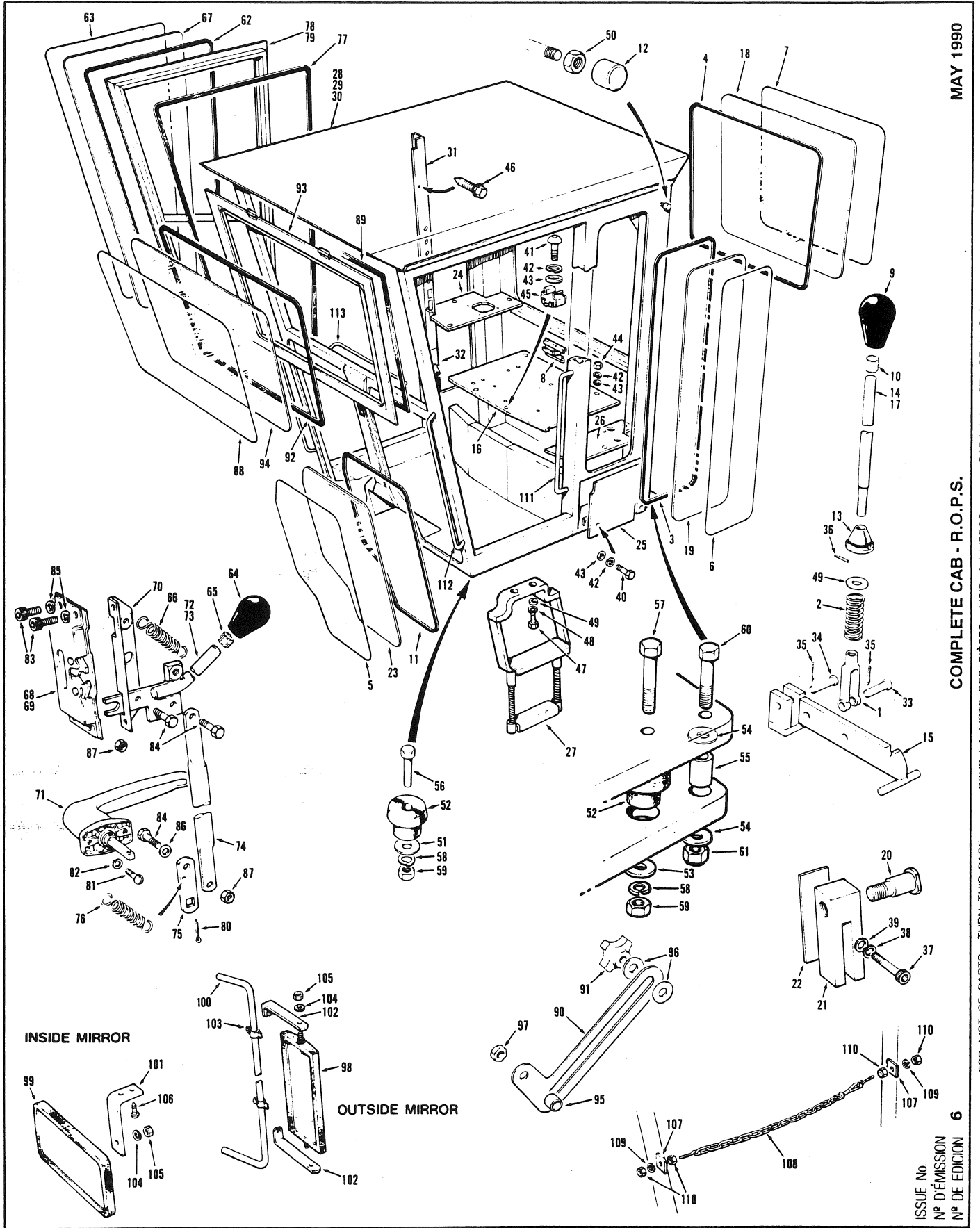
POUR LA LISTE DES PIÈCES - VOIR AU VERSO

FOR LIST OF PARTS - TURN THIS PAGE

COMPLETE CAB - R.O.P.S.

ISSUE No.
N° D'ÉMISSION
N° DE EDICIÓN 6

CHAMPION ROAD MACHINERY



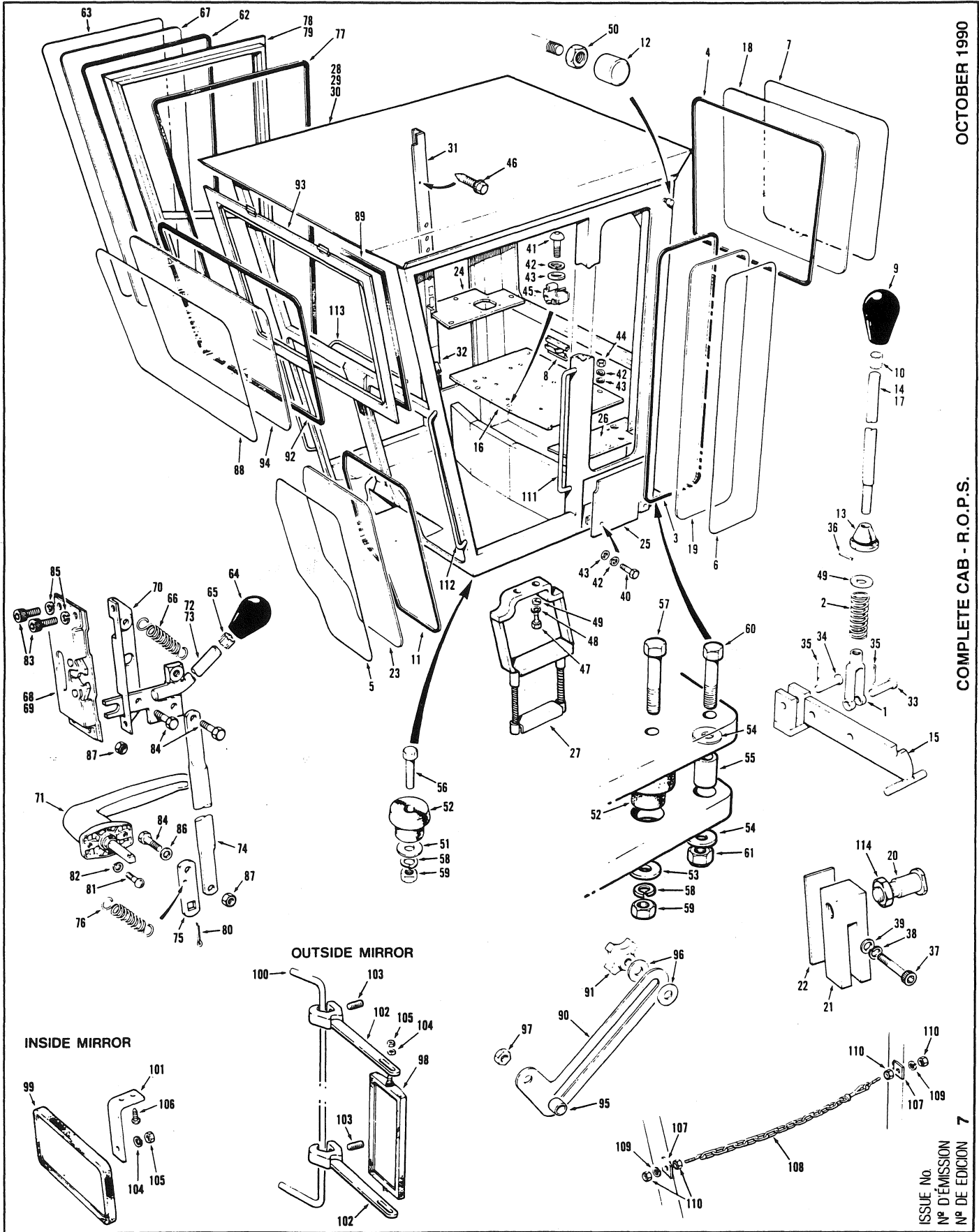
EFFECTIVE SERIAL NUMBER(S) 20606 & UP
 NUMERO(S) DE SÉRIE EFFECTIF(S)
 NUMERO(S) DE SERIE EFECTIVO(S)

700 SERIES
 SERIE 700

SECTION 11 PAGE 1
 SECCION 11 PAGINA 1

SECTION 11		PAGE 2	ISSUE No. 6	COMPLETE CAB - R.O.P.S.			MAY 1990		
SECCION 11		PAGINA 2	N° D'ÉMISSION N° DE EDICION 6						
No. N°	PART No. N° DE PIÈCE N° DE PIEZA	DESCRIPTION DÉSCRIPTION DESCRIPCION	No. REQ. N° REQ.	REMARKS REMARQUES NOTAS	No. N°	PART No. N° DE PIÈCE N° DE PIEZA	DESCRIPTION DÉSCRIPTION DESCRIPCION	No. REQ. N° REQ.	REMARKS REMARQUES NOTAS
1	1412	YOKE	2				DOORS		OPTIONAL
2	8065	SPRING	2						
3	15386 x 148	RUBBER CHANNEL - 148" LONG	2		62	15386 x 192	RUBBER CHANNEL - 192" LONG	1	
4	15386 x 180	RUBBER CHANNEL - 180" LONG	1		63	15386 x 192	LOCKING STRIP - 192" LONG	1	
5	15388 x 120	LOCKING STRIP - 120" LONG	2		64	48556	KNOB	1	
6	15388 x 148	LOCKING STRIP - 148" LONG	2		65	17588	INSERT	1	
7	15388 x 180	LOCKING STRIP - 180" LONG	1		66	28630	SPRING	1	
8	16488	VENT DOOR	1		67	28574	GLASS - SIDE	1	
9	48556	KNOB	2		68	28577	LATCH - R.H.	1	
10	17588	INSERT	2		69	28578	LATCH - L.H.	1	
11	23017 x 120	RUBBER CHANNEL - 120" LONG	2		70	28579	MOUNTING PLATE	1	
12	26019	DOOR BUMPER	4		71	28581	HANDLE	1	
13	26920	GROMMET	2		72	28582	LEVER - L.H.	1	
14	26921	RELEASE ROD - L.H.	1		73	28583	LEVER - R.H.	1	
15	26938	LATCH	2		74	28586	ROD	1	
16	*55236	SEAT DECK - CENTER SECTION	1		75	28588	LEVER	1	
17	27602	RELEASE ROD - R.H.	1		76	28630	SPRING	1	
18	28571	GLASS - REAR	1		77	45378 x 210	WEATHER SEAL - 210" LONG	1	
19	28573	GLASS - SIDE	2		78	46753	DOOR - R.H.	1	
20	28580	STRIKER PIN	2		79	46754	DOOR - L.H.	1	
21	28597	BLOCK - DOOR CATCH	2		80	13A-0212	COTTER PIN	1	
22	28598	SHIM	4		81	52L-0803	MACHINE SCREW	2	
23	32416	GLASS - FRONT	2		82	14F-08	LOCKWASHER	2	
24	*56703	SPLIT SEAT DECK SECTION - R.H.	1		83	50D-0408	BOLT	2	
25	41370	SIDE PANEL - BOTTOM	2		84	50A-0406	BOLT	2	
26	*54521	SPLIT SEAT DECK SECTION - L.H.	1		85	14A-04	LOCKWASHER	4	
27	51111	STEP - L.H.	1		86	14C-04	FLATWASHER	1	
	51112	STEP - R.H.	1		87	36D-04	NUT	5	
28	49774	CAB WELDED ASSEMBLY - COMPLETE CAB	1				WINDSHIELD INSTALLATION		
29	49775	CAB WELDED ASSEMBLY - CAB SHELL	1						
30	49780	CAB WELDED ASSEMBLY - AIR CONDITIONER	1		88	15388 x 168	LOCKING STRIP - 168" LONG	1	
31	48803	UPPER COVER PLATE	1		89	19176 x 180	WEATHER STRIP - 180" LONG	1	
32	48788	LOWER COVER PLATE	1		90	19784	ADJUSTING SLIDE	2	
33	10A-0616	CLEVIS PIN	2		91	19890	KNOB	2	
34	10A-0622	CLEVIS PIN	2		92	23017 x 168	RUBBER CHANNEL - 168" LONG	1	
35	13A-0316	COTTER PIN	4		93	33280	WINDSHIELD FRAME	1	
36	13C-0416	ROLL PIN	2		94	33281	GLASS - FRONT TOP	1	
37	50A-0410	BOLT	4		95	33284	SPACER	2	
38	14J-04	LOCKWASHER	4		96	14C-06	FLATWASHER	4	
39	14C-04	FLATWASHER	4		97	36D-06	NUT	2	
40	50A-0506	BOLT	8				MIRROR INSTALLATION		
41	50F-0508	BOLT	4						
42	14A-05	LOCKWASHER	16		98	8596A	MIRROR - OUTSIDE	1	
43	14C-05	FLATWASHER	18		99	8597A	MIRROR - INSIDE - INCLUDES ITEMS 104 & 105	1	
44	30A-05	NUT	6		100	28656-1	MOUNTING BAR	1	
45	38A-0503	CAGE NUT	4		101	28760-1	BRACKET	1	
46	62A-1006	SCREW	8		102	49792	BRACKET	2	
47	50A-0810	BOLT	4		103	32892	INSTALLATION KIT - C/W CLAMPS & HARDWARE	1	
48	14A-08	LOCKWASHER	4		104	14A-05	LOCKWASHER	5	
49	14C-08	FLATWASHER	6		105	30A-05	NUT	5	
50	30D-08	NUT	4		106	62A-1006	SCREW	2	
		CAB MOUNTS					DOOR SAFETY CHAIN INSTALLATION		
51	11967	WASHER	2		107	23257	LUG	4	
52	11970	RUBBER MOUNT	4		108	27217	SAFETY CHAIN	2	
53	30075	FLATWASHER	2		109	14A-06	LOCKWASHER	4	
54	49380	FLATWASHER	12		110	30A-06	NUT	8	
55	46800	SPACER	8		111	46837	HANDLE - GRAB	2	REPAIR PART
56	50A-1232	BOLT	2		112	46838	HANDLE - GRAB	2	
57	50A-1236	BOLT	2		113	46874	HANDLE - GRAM	1	
58	14A-12	LOCKWASHER	4						
59	30A-12	NUT	4						
60	*57005	BOLT	8						
61	*57004	NUT	8						

CHAMPION ROAD MACHINERY



ISSUE No.
N° D'ÉMISSION
N° DE EDICION

EFFECTIVE SERIAL NUMBER(S) 20719 TO 20892,
 NUMERO(S) DE SÉRIE EFFECTIF(S) EXCLUDING 20731
 NUMERO(S) DE SERIE EFECTIVO(S)

700 SERIES
 SERIE 700

SECTION 11 PAGE 1
SECCION 11 PAGINA 1

SECTION SECCION		PAGE PAGINA	ISSUE No. N° D'ÉMISSION N° DE EDICION	COMPLETE CAB - R.O.P.S.				OCTOBER 1990	
No. N°	PART No. N° DE PIÈCE N° DE PIEZA	DESCRIPTION DESCRIPTION DESCRIPCION	No. REQ. N° REQ. N° REQ.	REMARKS REMARQUES NOTAS	No. N°	PART No. N° DE PIÈCE N° DE PIEZA	DESCRIPTION DESCRIPTION DESCRIPCION	No. REQ. N° REQ. N° REQ.	REMARKS REMARQUES NOTAS
1	1412	YOKE	2						
2	8065	SPRING	2						
3	15386 x 148	RUBBER CHANNEL - 148" LONG	2		62	15386 x 192	RUBBER CHANNEL - 192" LONG	1	
4	15386 x 180	RUBBER CHANNEL - 180" LONG	1		63	15388 x 192	LOCKING STRIP - 192" LONG	1	
5	15388 x 120	LOCKING STRIP - 120" LONG	2		64	48556	KNOB	1	
6	15388 x 148	LOCKING STRIP - 148" LONG	2		65	17588	INSERT	1	
7	15388 x 180	LOCKING STRIP - 180" LONG	1		66	28630	SPRING	1	
8	16488	VENT DOOR	1		67	28574	GLASS - SIDE	1	
9	48556	KNOB	2		68	28577	LATCH - R.H.	1	
10	17588	INSERT	2		69	28578	LATCH - L.H.	1	
11	23017 x 120	RUBBER CHANNEL - 120" LONG	2		70	28579	MOUNTING PLATE	1	
12	26019	DOOR BUMPER	4		71	28581	HANDLE	1	
13	26920	GROMMET	2		72	28582	LEVER - L.H.	1	
14	26921	RELEASE ROD - L.H.	1		73	28583	LEVER - R.H.	1	
15	26938	LATCH	2		74	28586	ROD	1	
16	55236	SEAT DECK - CENTER SECTION	1		75	28588	LEVER	1	
17	27602	RELEASE ROD - R.H.	1		76	28630	SPRING	1	
18	28571	GLASS - REAR	1		77	45378 x 210	WEATHER SEAL - 210" LONG	1	
19	28573	GLASS - SIDE	2		78	46753	DOOR - R.H.	1	
20	28580	STRIKER PIN	2		79	46754	DOOR - L.H.	1	
21	28597	BLOCK - DOOR CATCH	2		80	13A-0212	COTTER PIN	1	
22	28598	SHIM	4		81	52L-0803	MACHINE SCREW	2	
23	32416	GLASS - FRONT	2		82	14F-08	LOCKWASHER	2	
24	56703	SPLIT SEAT DECK SECTION - R.H.	1		83	50D-0408	BOLT	2	
25	41370	SIDE PANEL - BOTTOM	2		84	50A-0406	BOLT	2	
26	*57258	SPLIT SEAT DECK SECTION - L.H.	1		85	14A-04	LOCKWASHER	4	
27	51111	STEP - L.H.	1		86	14C-04	FLATWASHER	1	
	51112	STEP - R.H.	1		87	36D-04	NUT	5	
28	49774	CAB WELDED ASSEMBLY - COMPLETE CAB	1						
29	49775	CAB WELDED ASSEMBLY - CAB SHELL	1						
30	49780	CAB WELDED ASSEMBLY - AIR CONDITIONER	1						
31	48803	UPPER COVER PLATE	1		88	15388 x 168	LOCKING STRIP - 168" LONG	1	
32	48788	LOWER COVER PLATE	1		89	19176 x 180	WEATHER STRIP - 180" LONG	1	
33	10A-0616	CLEVIS PIN	2		90	19784	ADJUSTING SLIDE	2	
34	10A-0622	CLEVIS PIN	2		91	19890	KNOB	2	
35	13A-0316	COTTER PIN	4		92	23017 x 168	RUBBER CHANNEL - 168" LONG	1	
36	13C-0416	ROLL PIN	2		93	33280	WINDSHIELD FRAME	1	
37	50A-0410	BOLT	4		94	33281	GLASS - FRONT TOP	1	
38	14J-04	LOCKWASHER	4		95	33284	SPACER	2	
39	14C-04	FLATWASHER	4		96	14C-06	FLATWASHER	4	
40	*50A-0506Z	BOLT	8		97	36D-06	NUT	2	
41	50F-0508	BOLT	4						
42	*14A-05Z	LOCKWASHER	16						
43	14C-05	FLATWASHER	18						
44	30A-05	NUT	6		98	8596A	MIRROR - OUTSIDE	1	
45	38A-0503	CAGE NUT	4		99	8597A	MIRROR - INSIDE - INCLUDES ITEMS 104 & 105	1	
46	62A-1006	SCREW	4		100	28656-1	MOUNTING BAR	1	
47	50A-0810	BOLT	8		101	28760-1	BRACKET	1	
48	14A-08	LOCKWASHER	4		102	*57325	BRACKET	2	
49	14C-08	FLATWASHER	6		103	*70E-0616	SET SCREW	2	
50	30D-08	NUT	4		104	14A-05	LOCKWASHER	5	
		CAB MOUNTS			105	30A-05	NUT	5	
51	11967	WASHER	2		106	*62A-1008	SCREW	2	
52	11970	RUBBER MOUNT	4						
53	30075	FLATWASHER	2						
54	49380	FLATWASHER	12		107	23257	LUG	4	
55	46800	SPACER	8		108	27217	SAFETY CHAIN	2	
56	50A-1232	BOLT	2		109	14A-06	LOCKWASHER	4	
57	50A-1236	BOLT	2		110	30A-06	NUT	8	
58	14A-12	LOCKWASHER	4		111	46837	HANDLE - GRAB	2	
59	30A-12	NUT	4		112	46838	HANDLE - GRAB	2	
60	57005	BOLT	8		113	46874	HANDLE - GRAB	1	
61	57004	NUT	8		114	*31D-08	LOCKNUT	2	Repair Part

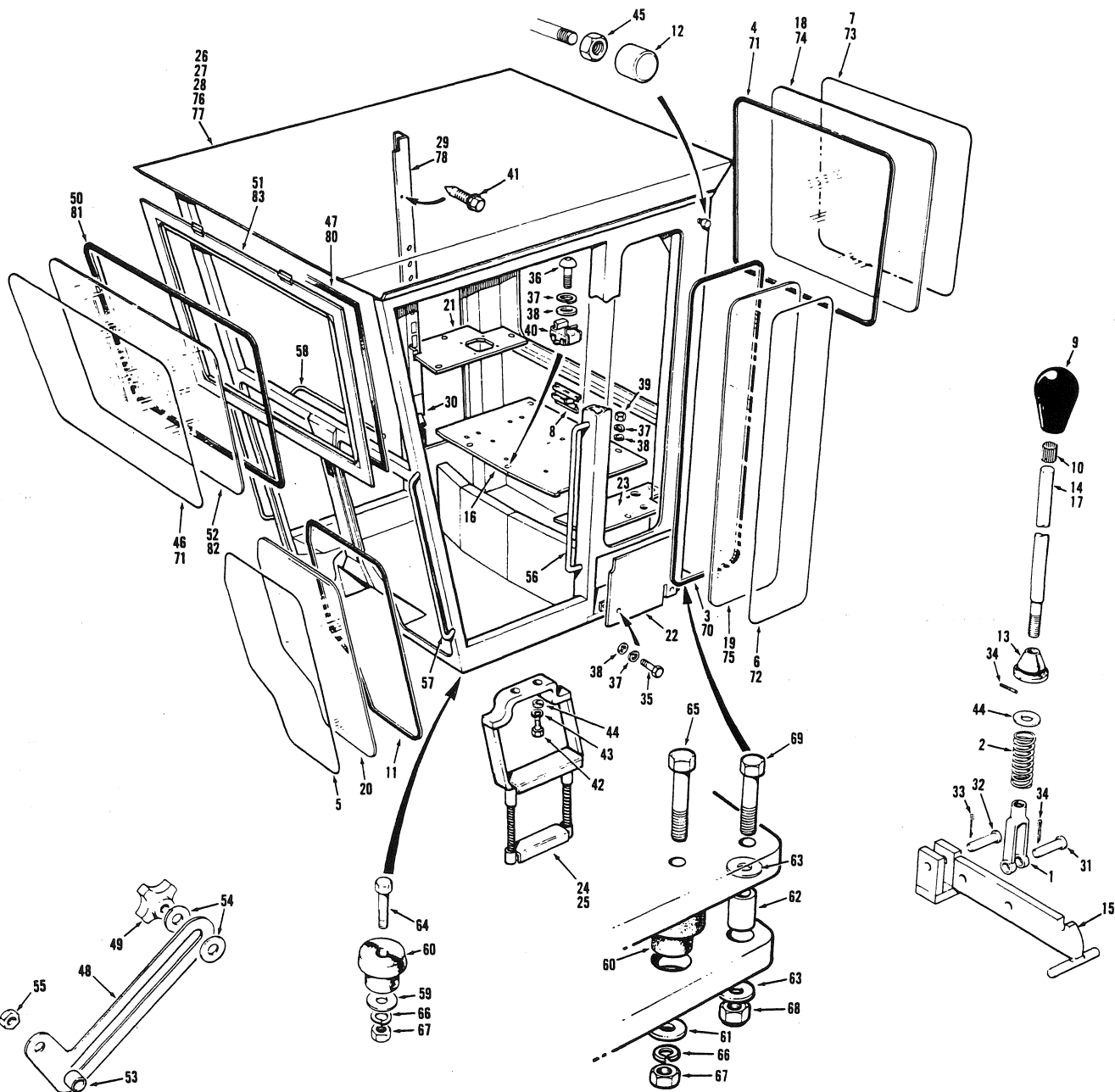
CHAMPION ROAD MACHINERY

COMPLETE CAB - R.O.P.S.

END LIST OF PARTS - THIERI THIS PAGE

8

ISSUE No.
N° D'ÉMISSION
N° DE EDICION



EFFECTIVE SERIAL NUMBER(S)
NUMERO(S) DE SÉRIE EFFECTIF(S)
NUMERO(S) DE SÉRIE EFECTIVO(S)

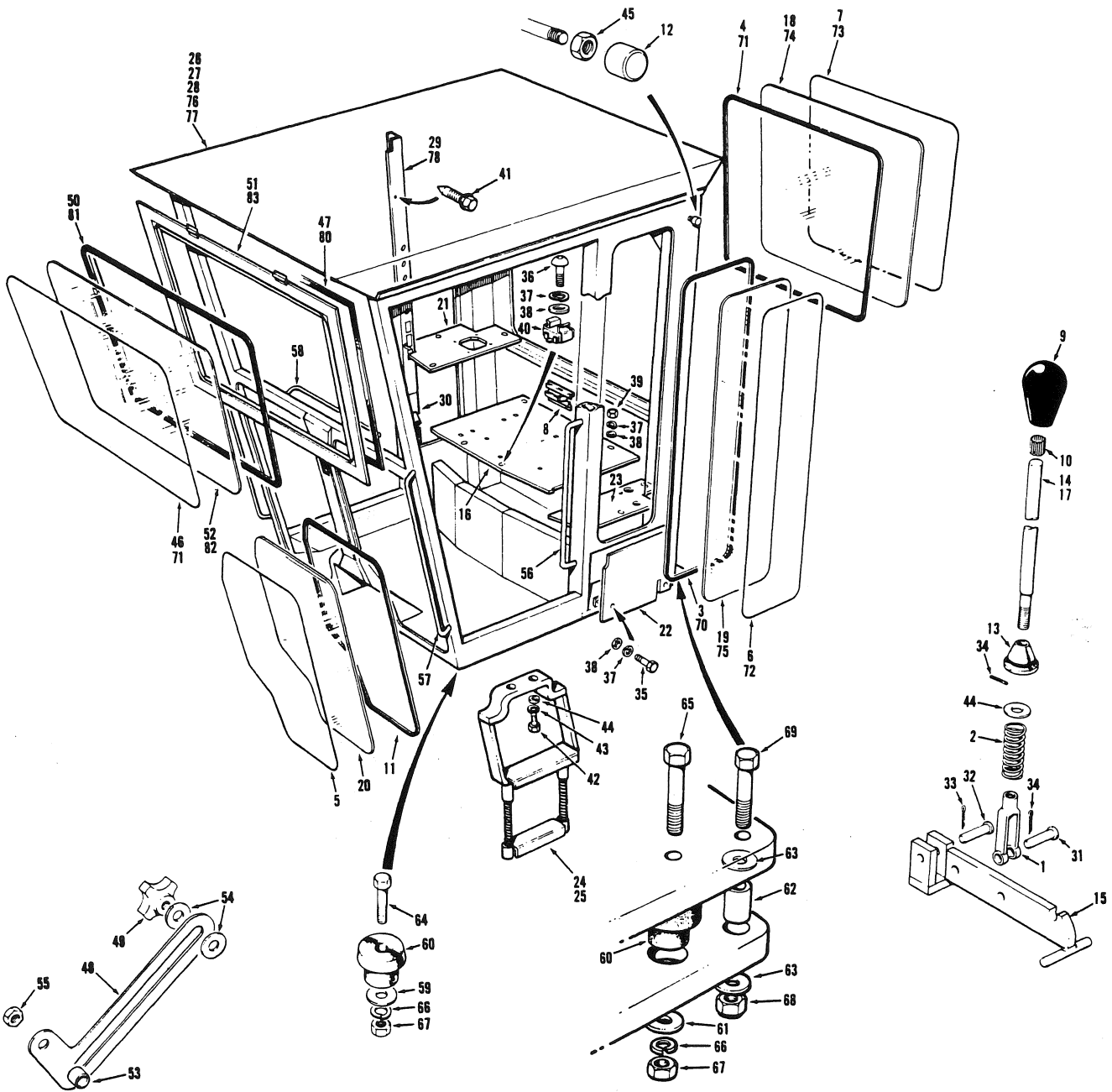
20893 TO 21077, 21079, 21081,
21083, 21085, 21087,
21089 TO 21091

700 SERIES
SERIE 700

SECTION 11 PAGE 1
SECCION 11 PAGINA 1

SECTION SECCION		PAGE PAGINA		ISSUE No. N° D'ÉMISSION N° DE EDICION		COMPLETE CAB - R.O.P.S.				NOVEMBER 1990	
No. N° N°	PART No. N° DE PIÈCE N° DE PIEZA	DESCRIPTION DESCRIPTION DESCRIPCION	No. REQ. N° REQ. N° REQ.	REMARKS REMARQUES NOTAS	No. N° N°	PART No. N° DE PIECE N° DE PIEZA	DESCRIPTION DESCRIPTION DESCRIPCION	No. REQ. N° REQ. N° REQ.	REMARKS REMARQUES NOTAS		
1	1412	YOKE	2		56	46837	HANDLE-GRAB	2			
2	8065	SPRING	2		57	46838	HANDLE-GRAB	2			
3	15386 x 148	RUBBER CHANNEL	2		58	46874	HANDLE-GRAB	1			
4	15386 x 180	RUBBER CHANNEL	1								
5	15388 x 120	LOCKING STRIP	2				CAB MOUNTS				
6	15388 x 148	LOCKING STRIP	2		59	11967	WASHER	2			
7	15388 x 180	LOCKING STRIP	1		60	11970	RUBBER MOUNTS	4			
8	16488	VENT DOOR	1		61	30075	FLAT WASHER	2			
9	48556	KNOB	2		62	46800	SPACER	8			
10	17588	INSERT	2		63	49380	FLAT WASHER	12			
11	23017 x 120	RUBBER CHANNEL	2		64	50A-1232	BOLT	2			
12	26019	DOOR BUMPER	4		65	50A-1236	BOLT	2			
13	26920	GROMMET	2		66	14A-12	LOCKWASHER	4			
14	26921	RELEASE ROD - L.H.	1		67	30A-12	NUT	4			
15	26938	LATCH	2		68	57004	NUT	8			
16	55236	SEAT DECK - CENTER SECTION	1		69	57005	BOLT	8			
17	27602	RELEASE ROD - R.H.	1								
18	28571	GLASS-REAR	1				LOW PROFILE CAB				
19	28573	GLASS-SIDE	2		70	* 15386 x 124	RUBBER CHANNEL	2			
20	32416	GLASS-FRONT	2		71	* 15386 x 156	RUBBER CHANNEL	1			
21	56703	SEAT DECK - R.H.	1		72	* 15388 x 124	LOCKING STRIP	2			
22	41370	SIDE PANEL-BOTTEM	2		73	* 15388 x 156	LOCKING STRIP	1			
23	57258	SPLIT SEAT DECK SECTION - L.H.	1		74	* 56502	GLASS-REAR	1			
24	51111	STEP - L.H.	1		75	* 56501	GLASS-SIDE	2			
25	51112	STEP - R.H.	1		76	* 56200	CAB WELDED ASSEMBLY	1			
26	* 57177	CAB WELDED ASSEMBLY - COMPLETE CAB	1		77	* 57412	CAB WELDED ASSEMBLY - AIR CONDITIONER	1			
27	* 57179	CAB WELDED ASSEMBLY - CAB SHELL	1		78	* 57608	UPPER COVER PLATE	1			
28	* 57181	CAB WELDED ASSEMBLY - AIR CONDITIONER	1		79	15388 x 144	LOCKING STRIP	1			
29	* 57519	UPPER COVER PLATE	1		80	19176 x 156	WEATHER STRIP	1			
30	* 57518	LOWER COVER PLATE	1		81	23017 x 144	RUBBER CHANEL	1			
31	10A-0616	CLEVIS PIN	2		82	56500	GLASS - FRONT TOP	1			
32	10A-0622	CLEVIS PIN	2		83	57338	WINDSHIELD FRAME	1			
33	13A-0316	COTTER PIN	4								
34	13C-0416	ROLL PIN	2								
35	50A-0506 Zi	BOLT	8								
36	50F-0508	BOLT	4								
37	14A-05 Zi	LOCKWASHER	16								
38	14C-05	FLATWASHER	18								
39	30A-05	NUT	6								
40	38A0503	CAGE NUT	4								
41	62A-1006	SCREW	8								
42	50A-0810	BOLT	4								
43	14A-08	LOCKWASHER	4								
44	14C-08	FLAT WASHER	6								
45	30D-08	NUT	4								
46	15388 x 168	LOCKING STRIP	1								
47	19176 x 180	WEATHER STRIP	1								
48	19784	ADJUSTING SLIDE	2								
49	19890	KNOB	2								
50	23017 x 168	RUBBER CHANEL	1								
51	33280	WINDSHIELD FRAME	1								
52	33281	GLASS-FRONT TOP	1								
52	33284	SPACER	2								
54	14C-06	FLATWASHER	4								
55	36D-06	NUT	2								

CHAMPION ROAD MACHINERY



COMPLETE CAB - R.O.P.S.

9 REVISION A

FOR LIST OF PARTS - TURN THIS PAGE POUR LA LISTE DES PIÈCES - VOIR AU VERSO PARA LA LISTA DE LAS PIEZAS - VER AL VERSO

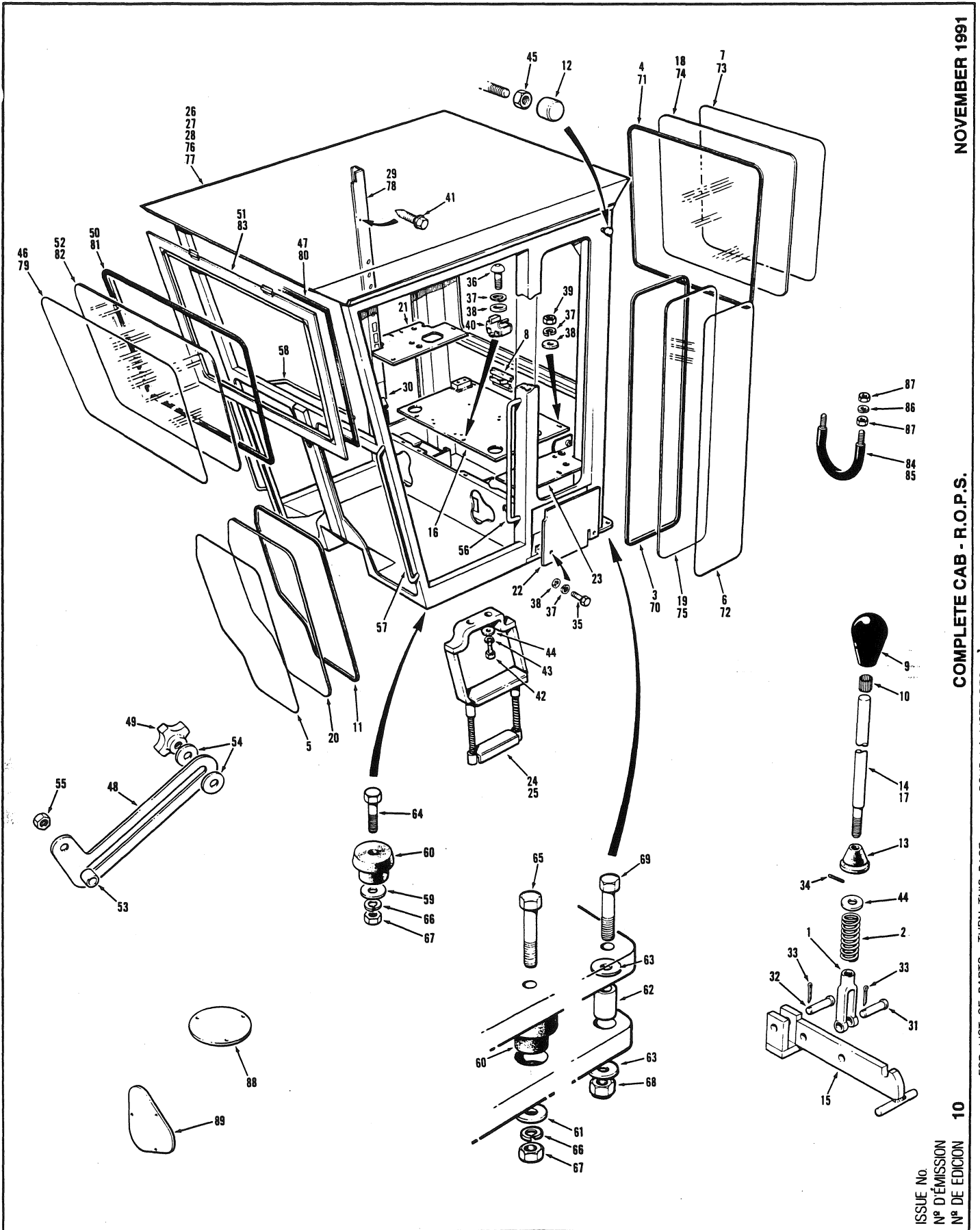
ISSUE No.
N° D'ÉMISSION
N° DE EDICIÓN

EFFECTIVE SERIAL NUMBER(S) 21078, 21080, 21082, 21084,
NUMERO(S) DE SÉRIE EFFECTIF(S) 21086, 21088, 21092 & UP
NUMERO(S) DE SERIE EFECTIVO(S)

700 SERIES
SERIE 700

SECTION 11 PAGE 1
SECCION 11 PAGINA 1

SECTION SECCION		PAGE PAGINA		ISSUE No. N° D'ÉMISSION N° DE EDICION		9 REVISION A		COMPLETE CAB - R.O.P.S.			JULY 1991	
No. N° N°	PART No. N° DE PIÈCE N° DE PIEZA	DESCRIPTION DESCRIPTION DESCRIPCION	No. REQ. N° REQ. N° REQ.	REMARKS REMARQUES NOTAS	No. N° N°	PART No. N° DE PIECE N° DE PIEZA	DESCRIPTION DESCRIPTION DESCRIPCION	No. REQ. N° REQ. N° REQ.	REMARKS REMARQUES NOTAS			
1	1412	YOKE	2		52	33284	SPACER	2				
2	8065	SPRING	2		54	14C-06	FLATWASHER	4				
3	15386 x 148	RUBBER CHANNEL	2		55	36D-06	NUT	2				
4	15386 x 180	RUBBER CHANNEL	1		56	46837	HANDLE-GRAB	2				
5	15388 x 120	LOCKING STRIP	2		57	46838	HANDLE-GRAB	2				
6	15388 x 148	LOCKING STRIP	2		58	46874	HANDLE-GRAB	1				
7	15388 x 180	LOCKING STRIP	1									
8	16488	VENT DOOR	1									
9	48556	KNOB	2									
10	17588	INSERT	2									
11	23017 x 120	RUBBER CHANNEL	2		59	11967	WASHER	2				
12	26019	DOOR BUMPER	4		60	11970	RUBBER MOUNTS	4				
13	26920	GROMMET	2		61	30075	FLAT WASHER	2				
14	26921	RELEASE ROD - L.H.	1		62	46800	SPACER	8				
15	26938	LATCH	2		63	49380	FLAT WASHER	12				
16	55236	SEAT DECK - CENTER SECTION	1		64	50A-1232	BOLT	2				
17	27602	RELEASE ROD - R.H.	1		65	50A-1236	BOLT	2				
18	28571	GLASS-REAR	1		66	14A-12	LOCKWASHER	4				
19	28573	GLASS-SIDE	2		67	30A-12	NUT	4				
20	32416	GLASS-FRONT	2		68	57004	NUT	8				
21	56703	SEAT DECK - R.H.	1		69	57005	BOLT	8				
22	41370	SIDE PANEL-BOTTEM	2									
23	57258	SPLIT SEAT DECK SECTION - L.H.	1									
24	51111	STEP - L.H.	1		70	15386 x 124	RUBBER CHANNEL	2				
	*58794	STEP - L.H. FOR L.H. MAST INSTALLATION	1	S/N 21563 & UP	71	15386 x 156	RUBBER CHANNEL	1				
25	51112	STEP - R.H.	1		72	15388 x 124	LOCKING STRIP	2				
26	57499	CAB WELDED ASSEMBLY - COMPLETE CAB	1		73	15388 x 156	LOCKING STRIP	1				
27	*57968	CAB WELDED ASSEMBLY - R.O.P.S. CANOPY	1		74	56502	GLASS-REAR	1				
	*65069	CAB WELDED ASSEMBLY - NON R.O.P.S. CANOPY	1		75	56501	GLASS-SIDE	2				
28	57501	CAB WELDED ASSEMBLY - AIR CONDITIONER	1		76	57498	CAB WELDED ASSEMBLY	1				
29	57519	UPPER COVER PLATE	1		77	57506	CAB WELDED ASSEMBLY - AIR CONDITIONER	1				
30	57518	LOWER COVER PLATE	1		78	57608	UPPER COVER PLATE	1				
31	10A-0616	CLEVIS PIN	2		79	15388 x 144	LOCKING STRIP	1				
32	10A-0622	CLEVIS PIN	2		80	57684 x 156	WEATHER STRIP	1				
33	13A-0316	COTTER PIN	4		81	23017 x 144	RUBBER CHANEL	1				
34	13C-0416	ROLL PIN	2		82	56500	GLASS - FRONT TOP	1				
35	50A-0506 ZI	BOLT	8		83	57338	WINDSHIELD FRAME	1				
36	50F-0508	BOLT	4									
37	14A-05 ZI	LOCKWASHER	16									
38	14C-05	FLATWASHER	18									
39	30A-05	NUT	6									
40	38A0503	CAGE NUT	4									
41	62A-1006	SCREW	8									
42	50A-0810	BOLT	4									
43	14A-08	LOCKWASHER	4									
44	14C-08	FLAT WASHER	6									
45	30D-08	NUT	4									
46	15388 x 168	LOCKING STRIP	1									
47	57684 x 180	WEATHER STRIP	1									
48	19784	ADJUSTING SLIDE	2									
49	19890	KNOB	2									
50	23017 x 168	RUBBER CHANEL	1									
51	33280	WINDSHIELD FRAME	1									
52	33281	GLASS-FRONT TOP	1									



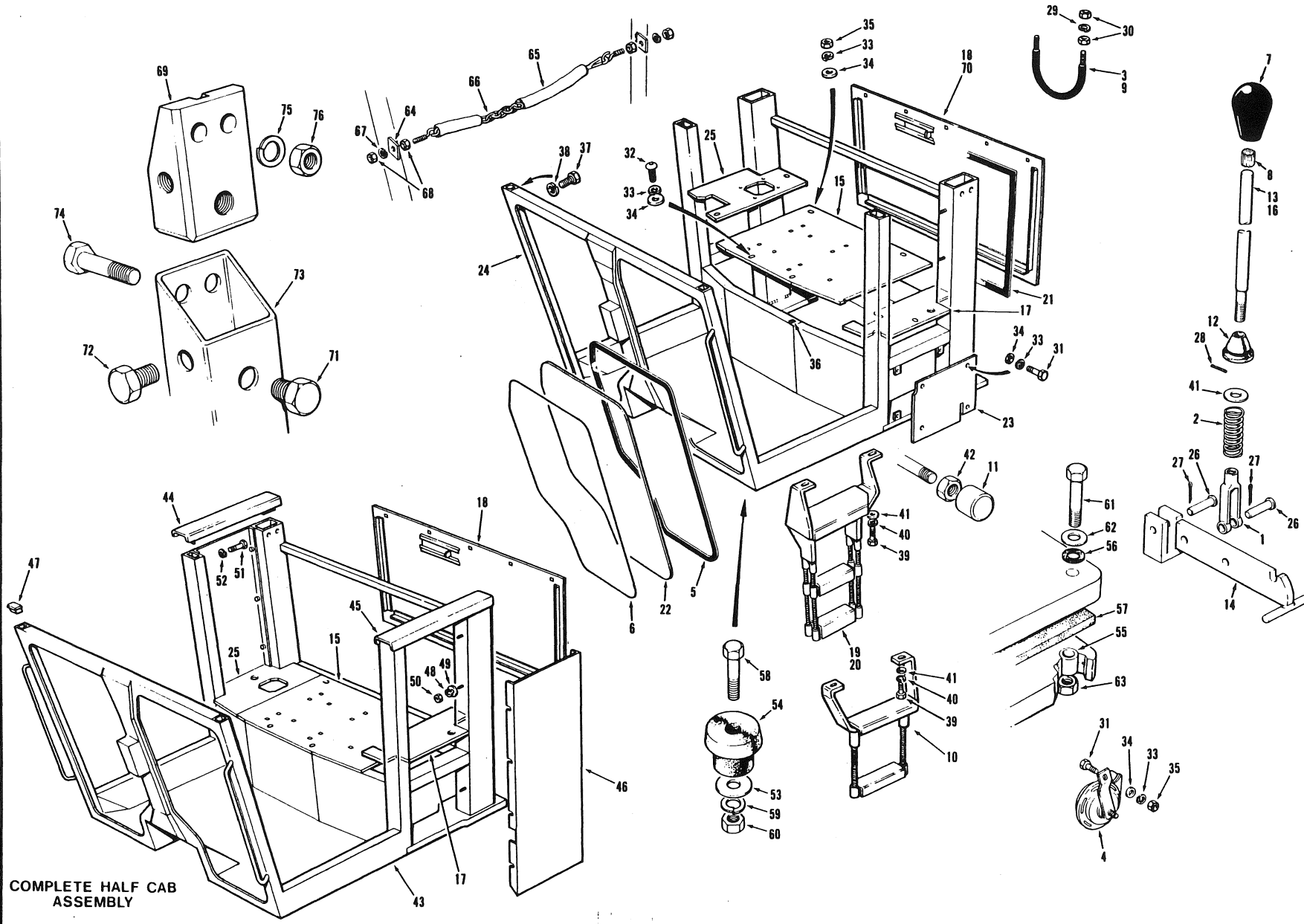
EFFECTIVE SERIAL NUMBER(S) 21911 & UP
 NUMERO(S) DE SÉRIE EFFECTIF(S)
 NUMERO(S) DE SERIE EFECTIVO(S)

700 SERIES
SERIE 700

SECTION 11 PAGE 1
SECCION 11 PAGINA 1

SECTION SECCION	11	PAGE PAGINA	2	ISSUE No. N° D'ÉMISSION N° DE EDICION	10	COMPLETE CAB - R.O.P.S.			NOVEMBER 1991
No. N° N°	PART No. N° DE PIÈCE N° DE PIEZA	DESCRIPTION DESCRIPTION DESCRIPCION	No. REQ. N° REQ. N° REQ.	REMARKS REMARQUES NOTAS	No. N° N°	PART No. N° DE PIECE N° DE PIEZA	DESCRIPTION DESCRIPTION DESCRIPCION	No. REQ. N° REQ. N° REQ.	REMARKS REMARQUES NOTAS
1	1412	YOKE	2		53	33284	SPACER	2	
2	8065	SPRING	2		54	14C-06	FLATWASHER	4	
3	15388 x 148	RUBBER CHANNEL	2		55	36D-06	NUT	2	
4	15388 x 180	RUBBER CHANNEL	1		56	46837	HANDLE - GRAB	2	} Repair Part
5	15388 x 120	LOCKING STRIP	2		57	46838	HANDLE - GRAB	2	
6	15388 x 148	LOCKING STRIP	2		58	46874	HANDLE - GRAB	1	
7	15388 x 180	LOCKING STRIP	1						
8	18488	VENT DOOR	1				CAB MOUNTS		
9	48556	KNOB	2		59	11967	WASHER	2	
10	17588	INSERT	2		60	11970	RUBBER MOUNTS	4	
11	23017 x 120	RUBBER CHANNEL	2		61	30075	FLATWASHER	2	
12	26019	DOOR BUMPER	4		62	46800	SPACER	8	
13	26920	GROMMET	2		63	49380	FLATWASHER	12	
14	26921	RELEASE ROD - L.H.	1		64	50A-1232	BOLT	2	
15	26938	LATCH	2		65	50A-1236	BOLT	2	
16	*65027	SEAT DECK - CENTER SECTION	1		66	14A-12	LOCKWASHER	4	
17	27602	RELEASE ROD - R.H.	1		67	30A-12	NUT	4	
18	28571	GLASS - REAR	1		68	57004	NUT	8	
19	28573	GLASS - SIDE	2		69	57005	BOLT	8	
20	32416	GLASS - FRONT	2				LOW PROFILE CAB		
21	*65031	SEAT DECK - R.H.	1		70	15388 x 124	RUBBER CHANNEL	2	
22	41370	SIDE PANEL-BOTTOM	2		71	15388 x 156	RUBBER CHANNEL	1	
23	*65035	SPLIT SEAT DECK SECTION - L.H.	1		72	15388 x 124	LOCKING STRIP	2	
24	51111	STEP - L.H.	1		73	15388 x 156	LOCKING STRIP	1	
25	58794	STEP - L.H. - FOR L.H. MAST INSTALLATION	1		74	56502	GLASS - REAR	1	
26	51112	STEP - R.H.	1		75	56501	GLASS - SIDE	2	
27	*65097	CAB WELDED ASSEMBLY - COMPLETE CAB	1		76	*65098	CAB WELDED ASSEMBLY	1	
28	*57968	CAB WELDED ASSEMBLY - R.O.P.S. CANOPY	1		77	*65092	CAB WELDED ASSEMBLY - AIR CONDITIONER	1	
29	*65069	CAB WELDED ASSEMBLY - NON R.O.P.S. CANOPY	1		78	57608	UPPER COVER PLATE	1	
30	*65095	CAB WELDED ASSEMBLY - AIR CONDITIONER	1		79	15388 x 144	LOCKING STRIP	1	
31	57519	UPPER COVER PLATE	1		80	57684 x 156	WEATHER STRIP	1	
32	57518	LOWER COVER PLATE	1		81	23017 x 144	RUBBER CHANNEL	1	
33	10A-0618	CLEVIS PIN	2		82	56500	GLASS - FRONT TOP	1	
34	10A-0622	CLEVIS PIN	2		83	57338	WINDSHIELD FRAME	1	
35	13A-0316	COTTER PIN	4		84	*9480 x 10.5	HOSE	1	
36	13C-0416	ROLL PIN	2		85	*57985	U-BOLT	1	
37	50A-0506 ZI	BOLT	4		86	*14A-04	LOCKWASHER	2	
38	50F-0508	BOLT	4		87	*30A-04	NUT	4	
39	14A-05 ZI	LOCKWASHER	16		88	*65121	COVER PLATE - SEAT DECK LOUVRE	3	
40	14C-05	FLATWASHER	18		89	*65122	COVER PLATE - SEAT DECK RISER LOUVRE	2	
41	30A-05	NUT	6						
42	38A-0503	CAGE NUT	4						
43	62A-1006	SCREW	8						
44	50A-0810	BOLT	4						
45	14A-08	LOCKWASHER	4						
46	14C-08	FLATWASHER	6						
47	30D-08	NUT	4						
48	15388 x 168	LOCKING STRIP	1						
49	57684 x 180	WEATHER STRIP	1						
50	19784	ADJUSTING SLIDE	2						
51	19890	KNOB	2						
52	23017 x 168	RUBBER CHANEL	1						
53	33280	WINDSHIELD FRAME	1						
54	33281	GLASS - FRONT TOP	1						

CHAMPION ROAD MACHINERY



COMPLETE HALF CAB ASSEMBLY

LOWER/HALF CAB

NOVEMBER 1984

FOR LIST OF PARTS - TURN THIS PAGE

POUR LA LISTE DES PIÈCES - VOIR AU VERSO

PARA LA LISTA DE LAS PIEZAS - VER AL VERSO

EFFECTIVE SERIAL NUMBERS) 16224, 16245 & UP
 NUMEROS) DE SERIE EFFECTIFS) 16224, 16245 & UP
 NUMEROS) DE SERIE EFECTIVOS) 16224, 16245 & UP

700 SERIES
 SERIE 700

SECTION 11
 SECCION 11
 PAGINA 3

ISSUE No.
 N° D'ÉMISSION
 N° DE EDICION 1

USE ONLY CHAMPION ROAD MACHINERY APPROVED PARTS

SECTION 11		PAGE 4		ISSUE No. 1		LOWER / HALF CAB				NOVEMBER 1984	
SECCION 11		PAGINA 4		N° D'ÉMISSION 1		N° DE EDICION					
No. N° N°	PART No. N° DE PIECE N° DE PIEZA	DESCRIPTION DÉSCRIPTION DESCRIPCION	No. REQ. N° REQ. N° REQ.	REMARKS REMARQUES NOTAS	No. N° N°	PART No. N° DE PIECE N° DE PIEZA	DESCRIPTION DÉSCRIPTION DESCRIPCION	No. REQ. N° REQ. N° REQ.	REMARKS REMARQUES NOTAS		
1	1412	YOKE	2				<u>COMPLETE HALF CAB</u>		OPTIONAL		
2	8065	SPRING	2								
3	9480 X 9.5	HOSE	1		43	28501	LOWER CAB WELDED ASSY.	1			
4	9685	HORN	1		44	32457	COVER PLATE - L.H.	1			
5	15386	RUBBER CHANNEL	A.R.		45	32458	COVER PLATE - R.H.	1			
6	15388	LOCKING STRIP	A.R.		46	32459	SIDE PANEL	2			
7	17587	KNOB	2		47	32461	PLUG	2			
8	17588	INSERT	2		48	14A-06	LOCKWASHER	16			
9	19265	U-BOLT	1		49	14C-06	FLATWASHER	16			
10	19678	STEP	2	OPTIONAL	50	30A-06	NUT	16			
11	26019	DOOR BUMPER	4		51	50A-0810	BOLT	6			
12	26920	GROMMET	2		52	14A-08	LOCKWASHER	6			
13	26921	RELEASE ROD - R.H.	1				<u>CAB MOUNTS</u>				
14	26938	LATCH	2								
15	27244	SEAT DECK - CENTER SECTION	1								
16	27602	RELEASE ROD - L.H.	1		53	11967	WASHER	2			
17	28501-10	SPLIT SEAT DECK SECTION - L.H.	1		54	11970	RUBBER MOUNT	2			
18	28552	LOWER BACK SHEET	1		55	19679	BUSHING	8			
19	28575	STEP - R.H.	1		56	19680	RUBBER WASHER	16			
20	28576	SEAT - L.H.	1		57	28595	SUPPORT PAD	2			
21	28804	SEALING TAPE	A.R.		58	50A-1232	BOLT	2			
22	32416	GLASS - FRONT	2		59	14A-12	LOCKWASHER	2			
23	32633	SIDE PANEL	2		60	30A-12	NUT	2			
24	33308	LOWER CAB WELDED ASSY.	1		61	50A-1636	BOLT	8			
25	40097	SPLIT SEAT DECK SECTION - R.H.	1		62	14C-16	FLATWASHER	16			
					63	36D-16	LOCKNUT	8			
26	10A-0618	CLEVIS PIN	4				<u>SAFETY CHAIN INSTALLATION</u>		OPTIONAL		
27	13A-0316	COTTER PIN	4								
28	13J-0416	ROLL PIN	2								
29	14A-04	LOCKWASHER	2		64	23257	LUG	A.R.			
30	30A-04	NUT	4		65	23258	LOOM	A.R.			
31	50A-0506	BOLT	10		66	27217	SAFETY CHAIN	2			
32	50F-0508	BOLT	4		67	14A-06	LOCKWASHER	4			
33	14A-05	LOCKWASHER	18		68	30A-06	NUT	8			
34	14C-05	FLATWASHER	18				<u>R.O.P.S. SPLIT CAB</u>		OPTIONAL		
35	30A-05	NUT	6								
36	38A-0504	CAGENUT	4		69	28729	BOTTOM JOINER	2			
37	50A-0608	BOLT	2		70	32488	BACK SHEET	1			
38	14A-06	LOCKWASHER	2		71	32492	BOLT	4			
39	50A-0810	BOLT	4		72	32493	BOLT	4			
40	14A-08	LOCKWASHER	4		73	33308	LOWER CAB WELDED ASSY. - R.O.P.S.	1			
41	14C-08	FLATWASHER	6		74	51A-2024	BOLT	4			
42	30D-08	NUT	4		75	14A-20	LOCKWASHER	4			
					76	37D-20	LOCKNUT	4			

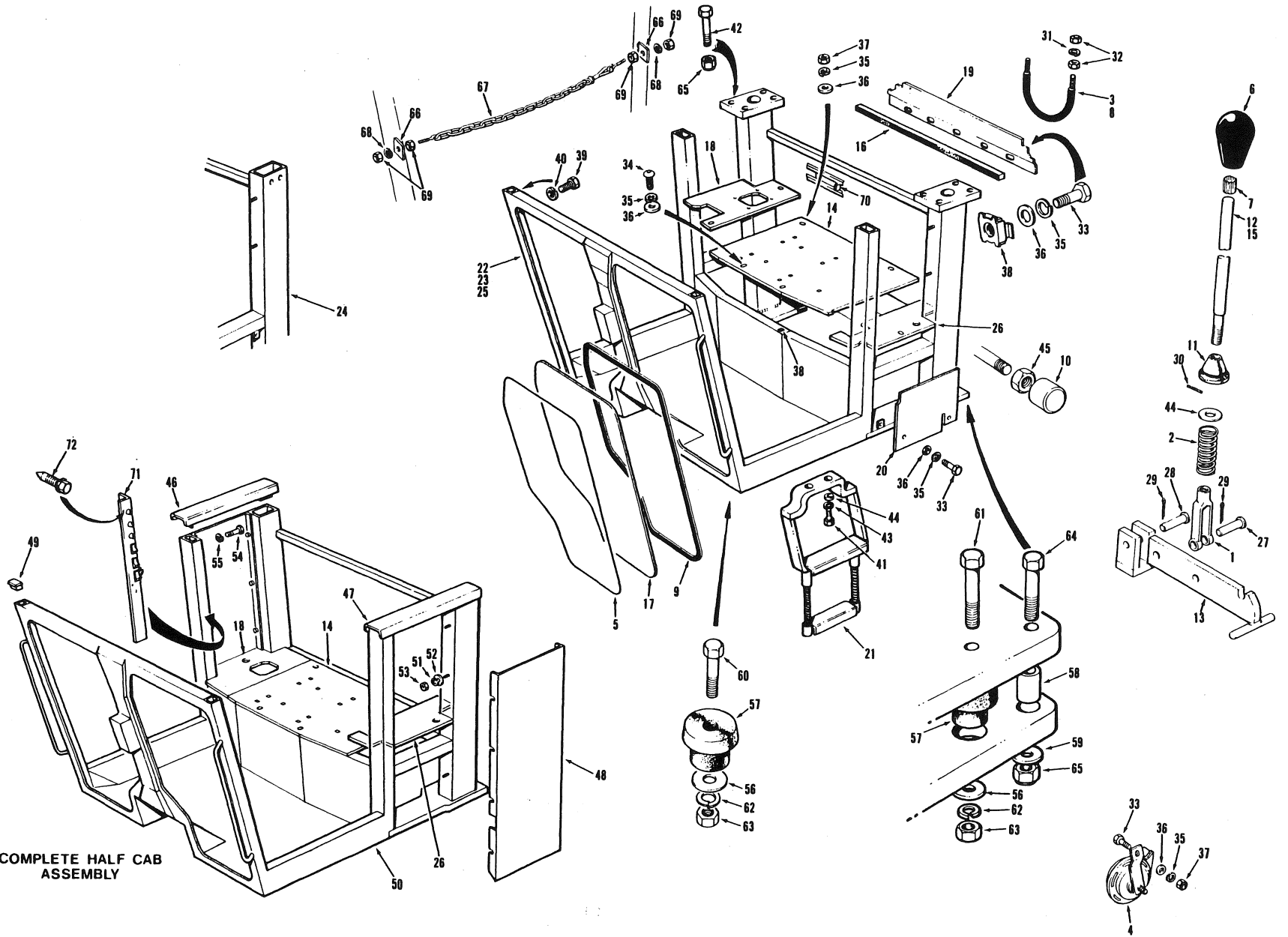
CHAMPION ROAD MACHINERY

EFFECTIVE SERIAL NUMBERS) 16883 TO 18801
 NUMEROS) DE SÉRIE EFFECTIFS)
 NUMEROS) DE SÉRIE EFFECTIVOS)
 U.S. 2595-2 & UP

700 SERIES
 SERIE 700

SECTION 11 PAGE 3
 SECCION 11 PAGINA 3

COMPLETE HALF CAB ASSEMBLY



USE ONLY CHAMPION APPROVED PARTS

ISSUE No.
 N° D'ÉMISSION
 N° DE EDICION 2 REVISION C

LOWER/HALF CAB

APRIL 1988

FOR LIST OF PARTS - TURN THIS PAGE

POUR LA LISTE DES PIÈCES - VOIR AU VERSO

PARA LA LISTA DE LAS PIEZAS - VER AL VERSO

SECTION SECCION 11		PAGE PAGINA 4	ISSUE No. N° D'ÉMISSION N° DE EDICION	2 REVISION C	LOWER / HALF CAB			APRIL 1988	
No. N° N°	PART No. N° DE PIÈCE N° DE PIEZA	DESCRIPTION DÉSCRIPTION DESCRIPCION	No. REQ. N° REQ. N° REQ.	REMARKS REMARQUES NOTAS	No. N° N°	PART No. N° DE PIÈCE N° DE PIEZA	DESCRIPTION DÉSCRIPTION DESCRIPCION	No. REQ. N° REQ. N° REQ.	REMARKS REMARQUES NOTAS
1	1412	YOKE	2				<u>COMPLETE HALF CAB</u>		OPTIONAL
2	8065	SFRING	2						
3	9480 X 9.5	HOSE - 9.5 INCHES LONG	1		46	32457	COVER PLATE - L.H.	1	
4	9685	HORN	1		47	32458	COVER PLATE - R.H.	1	
5	15388 X 120	LOCKING STRIP - 120 INCHES LONG	1		48	32459	SIDE PANEL	2	
6	17587	KNOB	2		49	32461	PLUG	2	
7	17588	INSERT	2		50	43125	LOWER CAB WELDED ASSY.	1	
8	19265	U-BOLT	1		51	14A-06	LOCKWASHER	20	
9	23017 X 120	RUBBER CHANNEL - 120 INCHES LONG	1		52	14C-06	FLATWASHER	20	
10	26019	DOOR BUMPER	4		53	30A-06	NUT	20	
11	26920	GROMMET	2		54	50A-0810	BOLT	10	
12	26921	RELEASE ROD - L.H.	1		55	14A-08	LOCKWASHER	10	
13	26938	LATCH	2				<u>CAB MOUNTS</u>		
14	41250	SEAT DECK - CENTER SECTION	1						
15	27602	RELEASE ROD - R.H.	1						
16	28804 X 18	SEALING TAPE - 18 INCHES LONG	1						
17	32416	GLASS - FRONT	2		56	11967	WASHER	2	
18	40097	SPLIT SEAT DECK SECTION - R.H.	1		57	11970	RUBBER MOUNT	4	
19	40676	BACK JOINER PLATE	1		58	43082	BUSHING	8	
20	41370	SIDE PANEL	2		59	43084	FLATWASHER	8	
21	41661	STEP	1		60	50A-1232	BOLT	2	
22	43123	LOWER CAB WELDED ASSY. - R.O.P.S.	1		61	50A-1236	BOLT	2	
23	43124	LOWER CAB WELDED ASSY. - R.O.P.S. SHELL	1		62	14A-12	LOCKWASHER	4	
24	43126	LOWER CAB WELDED ASSY. - SHELL	1		63	30A-12	NUT	4	
25	43143	LOWER CAB WELDED ASSY. - R.O.P.S. AIR.	1		64	50A-1636	BOLT	8	
26	43451	SPLIT SEAT DECK SECTION - L.H.	1		65	36D-16	NUT	16	
							<u>SAFETY CHAIN INSTALLATION</u>		OPTIONAL
27	10A-0616	CLEVIS PIN	2						
28	10A-0622	CLEVIS PIN	2		66	23257	LUG	4	
29	13A-0316	COTTER PIN	4		67	27217	SAFETY CHAIN	2	
30	13J-0416	ROLL PIN	2		68	14A-06	LOCKWASHER	4	
31	14A-04	LOCKWASHER	2		69	30A-06	NUT	8	
32	30A-04	NUT	4						
33	50A-0506	BOLT	10		70	16488	VENT DOOR	1	
34	50F-0508	BOLT	4						
35	14A-05	LOCKWASHER	5						
36	14C-05	FLATWASHER	15						
37	30A-05	NUT	6						
38	38A-0504	CAGENUT	10						
39	50A-0608	BOLT	2		71	*48203	SWITCH PANEL (SER. NO. 18713, 18715 TO	1	
40	14A-06	LOCKWASHER	2		72	*62A-1006	SCREW 18717, 18719 & UP)	2	
41	50A-0810	BOLT	4						
42	50A-1628	BOLT - R.O.P.S. SPLIT CAB	8						
43	14A-08	LOCKWASHER	4						
44	14C-08	FLATWASHER	4						
45	30D-08	NUT	4						

CHAMPION ROAD MACHINERY

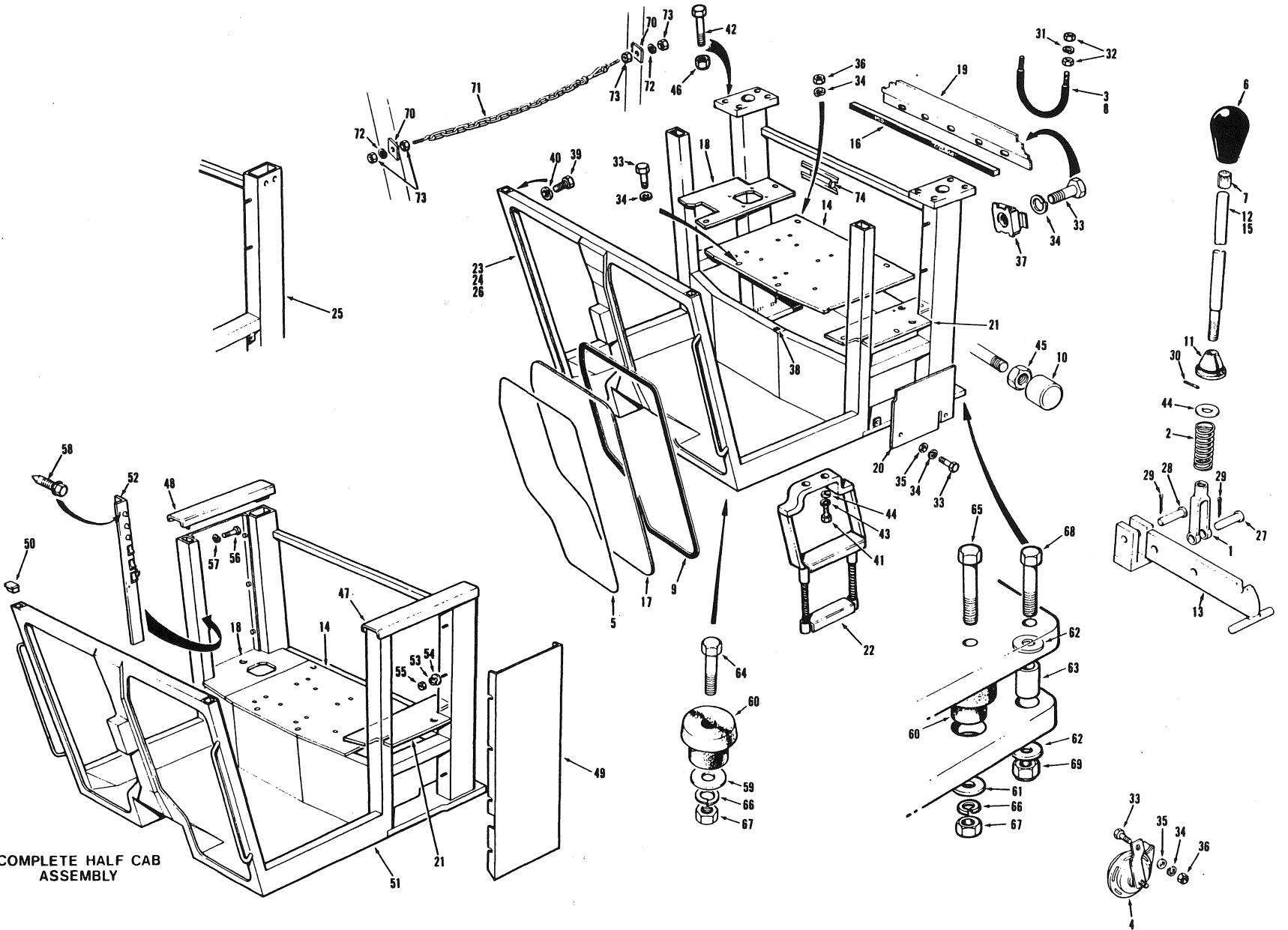
EFFECTIVE SERIAL NUMBERS) 18802, 18878 & UP
 NUMEROS) DE SERIE EFFECTIFS)
 NUMEROS) DE SERIE EFFECTIVOS)

700 SERIES
 SERIE 700

SECTION 11
 SECCION 11
 PAGINA
 PAGINA

3

COMPLETE HALF CAB
 ASSEMBLY



LOWER / HALF CAB

APRIL 1988

FOR LIST OF PARTS - TURN THIS PAGE

POUR LA LISTE DES PIÈCES - VOIR AU VERSO

PARA LA LISTA DE LAS PIEZAS - VER AL VERSO

USE ONLY CHAMPION ROAD MACHINERY APPROVED PARTS

SECTION SECCION 11		PAGE PAGINA 4	ISSUE No. N° D'ÉMISSION 3 N° DE EDICION	LOWER / HALF CAB		APRIL 1988			
No. N° N°	PART No. N° DE PIÈCE N° DE PIEZA	DESCRIPTION DÉSCRIPTION DESCRIPCION	No. REQ. N° REQ. N° REQ.	REMARKS REMARQUES NOTAS	No. N° N°	PART No. N° DE PIÈCE N° DE PIEZA	DESCRIPTION DÉSCRIPTION DESCRIPCION	No. REQ. N° REQ. N° REQ.	REMARKS REMARQUES NOTAS
1	1412	YOKE	2						
2	8065	SPRING	2						
3	9480 X 9.5	HOSE - 9.5 INCHES LONG	1						
4	9685	HORN	1		47	32457	COVER PLATE - L.H.	1	
5	15388 X 120	LOCKING STRIP - 120 INCHES LONG	2		48	32458	COVER PLATE - R.H.	1	
6	17587	KNOB	2		49	32459	SIDE PANEL	2	
7	17588	INSERT	2		50	32461	PLUG	2	
8	19265	U-BOLT	1		51	*46779	LOWER CAB WELDED ASSY.	1	
9	23017 X 120	RUBBER CHANNEL - 120 INCHES LONG	2		52	48203	SWITCH PANEL	1	
10	26019	DOOR BUMPER	4		53	14A-06	LOCKWASHER	20	
11	26920	GROMMET	2		54	14C-06	FLATWASHER	20	
12	26921	RELEASE ROD - L.H.	1		55	30A-06	NUT	20	
13	26938	LATCH	2		56	50A-0810	BOLT	10	
14	41250	SEAT DECK - CENTER SECTION	1		57	14A-08	LOCKWASHER	10	
15	27602	RELEASE ROD - R.H.	1		58	62A-1006	SCREW	2	
16	28804 X 18	SEALING TAPE - 18 INCHES LONG	1						
17	32416	GLASS - FRONT	2						
18	40097	SPLIT SEAT DECK SECTION - R.H.	1						
19	40676	BACK JOINER PLATE	1		59	*11967	WASHER	2	
20	41370	SIDE PANEL	2		60	11970	RUBBER MOUNT	4	
21	*46560	SPLIT SEAT DECK SECTION - L.H.	1		61	*30075	WASHER	2	
22	*46751	STEP	2		62	43084	FLATWASHER	12	
23	*46777	LOWER CAB WELDED ASSY. - R.O.P.S.	1		63	*46800	BUSHING	8	
24	*46778	LOWER CAB WELDED ASSY. - R.O.P.S. SHELL	1		64	50A-1232	BOLT	2	
25	*46780	LOWER CAB WELDED ASSY. - SHELL	1		65	50A-1236	BOLT	2	
26	*46782	LOWER CAB WELDED ASSY. - R.O.P.S. - AIR CONDITIONER	1		66	14A-12	LOCKWASHER	4	
					67	30A-12	NUT	4	
					68	*50A-1836	BOLT	8	
					69	*36N-18	NUT	8	
27	10A-0616	CLEVIS PIN	2						
28	10A-0622	CLEVIS PIN	2						
29	13A-0316	COTTER PIN	4						
30	13C-0416	ROLL PIN	2						
31	14A-04	LOCKWASHER	2		70	23257	LUG	4	
32	30A-04	NUT	4		71	27217	SAFETY CHAIN	2	
33	50A-0506	BOLT	14		72	14A-06	LOCKWASHER	4	
34	14A-05	LOCKWASHER	11		73	30A-06	NUT	8	
35	14C-05	FLATWASHER	5						
36	30A-05	NUT	7		74	16488	VENT DOOR	1	
37	*38A-0502	CAGENUT	5						
38	*38A-0503	CAGENUT	4						
39	50A-0608	BOLT	2						
40	14A-06	LOCKWASHER	2						
41	50A-0810	BOLT	6						
42	50A-1628	BOLT - R.O.P.S. SPLIT CAB	8						
43	14A-08	LOCKWASHER	6						
44	14C-08	FLATWASHER	6						
45	30D-08	NUT	4						
46	*36N-16	NUT	8						

COMPLETE HALF CAB

OPTIONAL

CAB MOUNTSSAFETY CHAIN INSTALLATION

OPTIONAL

CHAMPION ROAD MACHINERY

EFFECTIVE SERIAL NUMBERS)
 NUMEROS) DE SERIE EFFECTIFS)
 NUMEROS) DE SERIE EFFECTIVOIS)

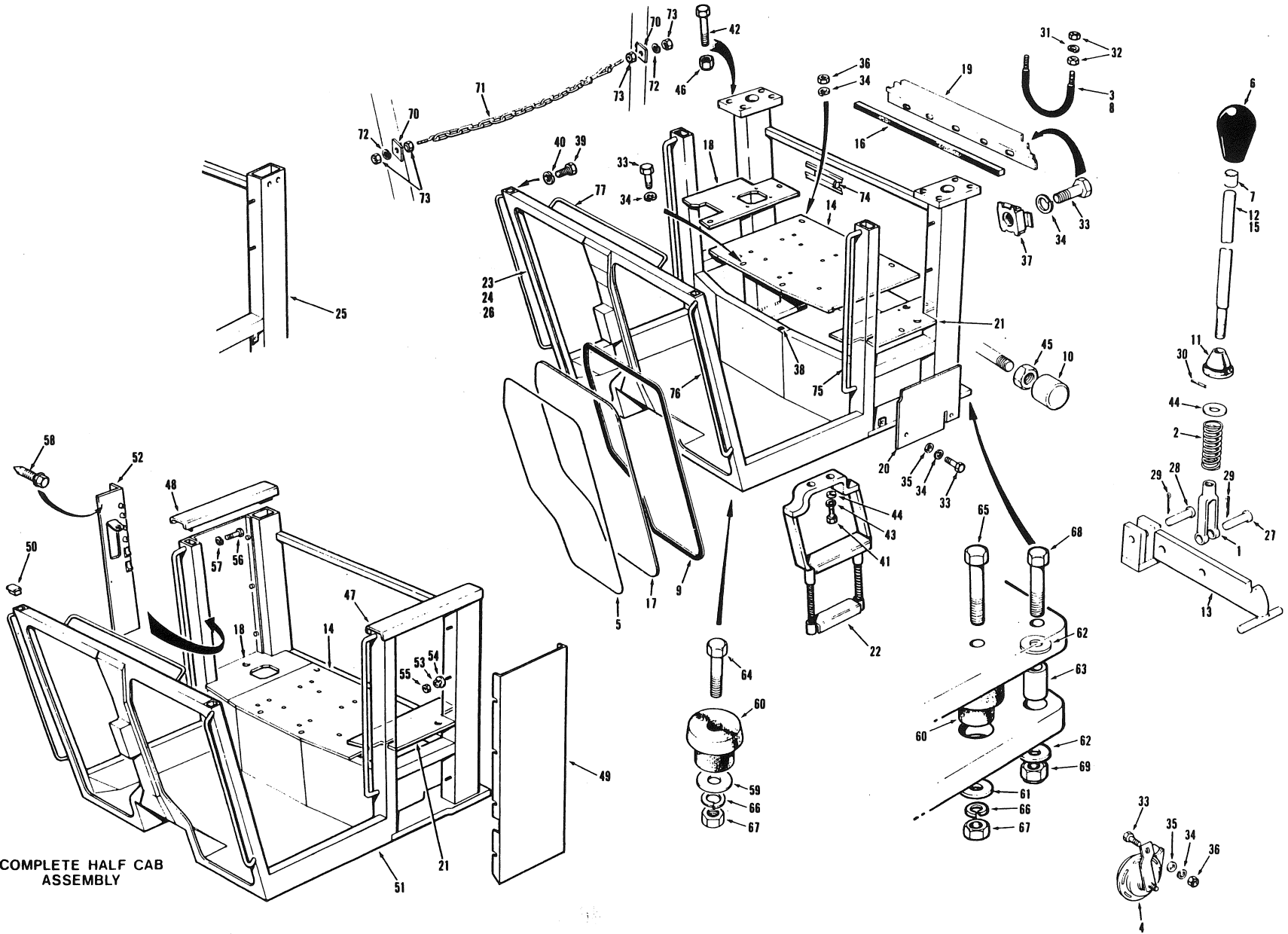
19133 & UP

700 SERIES
 SERIE 700

SECTION 11
 SECTION 11
 PAGE
 PAGINA

3

COMPLETE HALF CAB
 ASSEMBLY



LOWER/HALF CAB

SEPTEMBER 1988

END LIST OF PARTS - TURN THIS PAGE

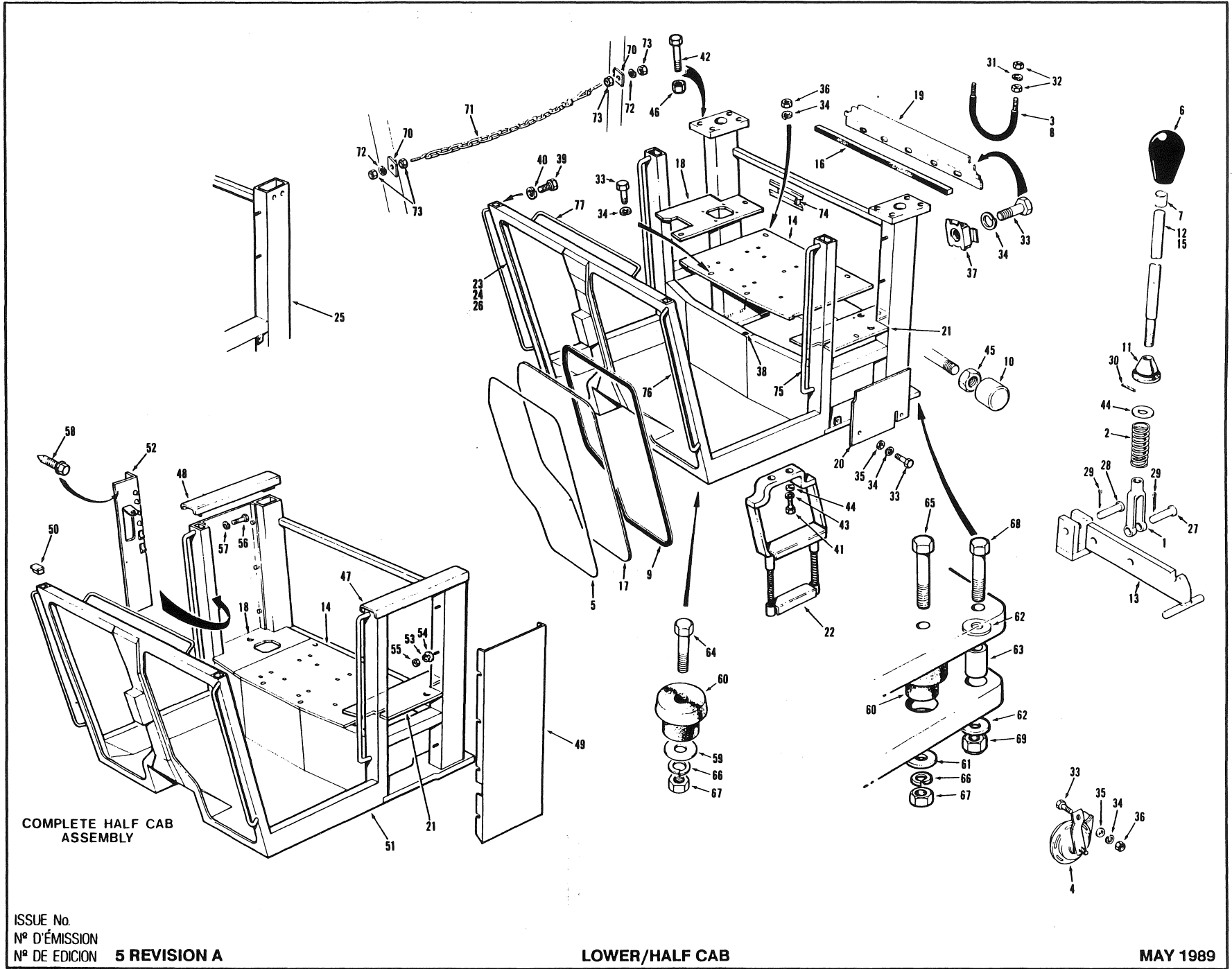
FIN DE LA LISTE DES PIÉCES - VOIR AU VERSO

DADA LA LISTA DE LAS PIEZAS - VER AL VERSO

USE ONLY CHAMPION ROAD MACHINERY APPROVED PARTS

SECTION SECCION 11		PAGE PAGINA 4		ISSUE No. N° D'ÉMISSION 4 N° DE EDICION		LOWER / HALF CAB			SEPTEMBER 1988	
No. N° N°	PART No. N° DE PIÈCE N° DE PIEZA	DESCRIPTION DESCRIPTION DESCRIPCION	No. REQ. N° REQ. N° REQ.	REMARKS REMARQUES NOTAS	No. N° N°	PART No. N° DE PIECE N° DE PIEZA	DESCRIPTION DESCRIPTION DESCRIPCION	No. REQ. N° REQ. N° REQ.	REMARKS REMARQUES NOTAS	
1	1412	YOKE	2				<u>COMPLETE HALF CAB</u>		OPTIONAL	
2	8065	SPRING	2							
3	9480 X 9.5	HOSE - 9.5 INCHES LONG	1		47	32457	COVER PLATE - L.H.	1		
4	9685	HORN	1		48	32458	COVER PLATE - R.H.	1		
5	15388 X 120	LOCKING STRIP - 120 INCHES LONG	2		49	32459	SIDE PANEL	2		
6	17587	KNOB	2		50	32461	PLUG	2		
7	17588	INSERT	2		51	46779	LOWER CAB WELDED ASSY.	1		
8	19265	U-BOLT	1		52	*48789	SWITCH PANEL	1		
9	23017 X 120	RUBBER CHANNEL - 120 INCHES LONG	2		53	14A-06	LOCKWASHER	20		
10	26019	DOOR BUMPER	4		54	14C-06	FLATWASHER	20		
11	26920	GROMMET	2		55	30A-06	NUT	20		
12	26921	RELEASE ROD - L.H.	1		56	50A-0810	BOLT	10		
13	26938	LATCH	2		57	14A-08	LOCKWASHER	10		
14	41250	SEAT DECK - CENTER SECTION	1		58	62A-1006	SCREW	2		
15	27602	RELEASE ROD - R.H.	1				<u>CAB MOUNTS</u>			
16	28804 X 18	SEALING TAPE - 18 INCHES LONG	1							
17	32416	GLASS - FRONT	2							
18	40097	SPLIT SEAT DECK SECTION - R.H.	1		59	11967	WASHER	2		
19	40676	BACK JOINER PLATE	1		60	11970	RUBBER MOUNT	4		
20	41370	SIDE PANEL	2		61	30075	WASHER	2		
21	46560	SPLIT SEAT DECK SECTION - L.H.	1		62	*49380	FLATWASHER	12		
22	46751	STEP	2		63	46800	BUSHING	8		
23	46777	LOWER CAB WELDED ASSY. - R.O.P.S.	1		64	50A-1232	BOLT	2		
24	46778	LOWER CAB WELDED ASSY. - R.O.P.S. SHELL	1		65	50A-1236	BOLT	2		
25	46780	LOWER CAB WELDED ASSY. - SHELL	1		66	14A-12	LOCKWASHER	4		
26	46782	LOWER CAB WELDED ASSY. - R.O.P.S. - AIR CONDITIONER	1		67	30A-12	NUT	4		
					68	50A-1836	BOLT	8		
					69	36N-18	NUT	8		
27	10A-0616	CLEVIS PIN	2				<u>SAFETY CHAIN INSTALLATION</u>		OPTIONAL	
28	10A-0622	CLEVIS PIN	2							
29	13A-0316	COTTER PIN	4							
30	13C-0416	ROLL PIN	2							
31	14A-04	LOCKWASHER	2		70	23257	LUG	4		
32	30A-04	NUT	4		71	27217	SAFETY CHAIN	2		
33	50A-0506	BOLT	14		72	14A-06	LOCKWASHER	4		
34	14A-05	LOCKWASHER	11		73	30A-06	NUT	8		
35	14C-05	FLATWASHER	5							
36	30A-05	NUT	7		74	16488	VENT DOOR	1		
37	38A-0502	CAGENUT	5							
38	38A-0503	CAGENUT	4		75	*46837	HANDLE - GRAB	2	REPAIR PART	
39	50A-0608	BOLT	2		76	*46838	HANDLE - GRAB	2		
40	14A-06	LOCKWASHER	2		77	*46874	HANDLE - GRAB	1		
41	50A-0810	BOLT	6							
42	50A-1628	BOLT - R.O.P.S. SPLIT CAB	8							
43	14A-08	LOCKWASHER	6							
44	14C-08	FLATWASHER	6							
45	30D-08	NUT	4							
46	36N-16	NUT	8							

CHAMPION ROAD MACHINERY



COMPLETE HALF CAB ASSEMBLY

LOWER/HALF CAB

ISSUE No.
 N° D'ÉMISSION
 N° DE EDICION **5 REVISION A**

MAY 1989

FOR LIST OF PARTS - TURN THIS PAGE

POUR LA LISTE DES PIÈCES - VOIR AU VERSO

PARA LA LISTA DE LAS PIEZAS - VER AL VERSO

EFFECTIVE SERIAL NUMBERS) 19431, 19458, 19565, 19566, 19568
 NUMEROS) DE SERIE EFFECTIFS) to 19578, 19580 to 19589, 19591,
 NUMEROS) DE SERIE EFECTIVOS) 19592, 19594 to 19610, 19612 to
 19614, 19616, 19618 & UP

700 SERIES
 SERIE 700

SECTION 11 PAGE 3
 SECTION 11 PAGINA 3

USE ONLY CHAMPION APPROVED PARTS

SECTION SECCION 11		PAGE PAGINA 4	ISSUE No. N° D'ÉMISSION N° DE EDICION 5	REVISION A	LOWER / HALF CAB			MAY 1989	
No. N° N°	PART No. N° DE PIÈCE N° DE PIEZA	DESCRIPTION DÉSCRIPTION DESCRIPCION	No. REQ. N° REQ. N° REQ.	REMARKS REMARQUES NOTAS	No. N° N°	PART No. N° DE PIECE N° DE PIEZA	DESCRIPTION DÉSCRIPTION DESCRIPCION	No. REQ. N° REQ. N° REQ.	REMARKS REMARQUES NOTAS
1	1412	YOKE	2				<u>COMPLETE HALF CAB</u>		OPTIONAL
2	8065	SPRING	2						
3	9480 X 9.5	HOSE - 9.5 INCHES LONG	1		47	32457	COVER PLATE - L.H.	1	
4	9685	HORN	1		48	32458	COVER PLATE - R.H.	1	
5	15388 X 120	LOCKING STRIP - 120 INCHES LONG	2		49	32459	SIDE PANEL	2	
6	48556	KNOB	2		50	32461	PLUG	2	
7	17588	INSERT	2		51	49778	LOWER CAB WELDED ASSY.	1	
8	19265	U-BOLT	1		52	48789	SWITCH PANEL	1	
9	23017 X 120	RUBBER CHANNEL - 120 INCHES LONG	2		53	14A-06	LOCKWASHER	20	
10	26019	DOOR BUMPER	4		54	14C-06	FLATWASHER	20	
11	26920	GROMMET	2		55	30A-06	NUT	20	
12	26921	RELEASE ROD - L.H.	1		56	50A-0810	BOLT	10	
13	26938	LATCH	2		57	14A-08	LOCKWASHER	10	
14	41250	SEAT DECK - CENTER SECTION	1		58	62A-1006	SCREW	2	
15	27602	RELEASE ROD - R.H.	1				<u>CAB MOUNTS</u>		
16	28804 X 18	SEALING TAPE - 18 INCHES LONG	1						
17	32416	GLASS - FRONT	2						
18	40097	SPLIT SEAT DECK SECTION - R.H.	1		59	11967	WASHER	2	
19	*53478	BACK JOINER PLATE	1		60	11970	RUBBER MOUNT	4	
20	41370	SIDE PANEL	2		61	30075	WASHER	2	
21	46560	SPLIT SEAT DECK SECTION - L.H.	1		62	49380	FLATWASHER	12	
22	46751	STEP	2	UP TO S/N 19518 S/N 19519 & UP	63	46800	SPACER	8	
	*51111	STEP L.H.	1		64	50A-1232	BOLT	2	
	*51112	STEP R.H.	1		65	50A-1236	BOLT	2	
23	49776	LOWER CAB WELDED ASSY. - R.O.P.S.	1		66	14A-12	LOCKWASHER	4	
24	49777	LOWER CAB WELDED ASSY. - R.O.P.S. SHELL	1		67	30A-12	NUT	4	
25	49779	LOWER CAB WELDED ASSY. - SHELL	1		68	50A-1836	BOLT	8	
26	49781	LOWER CAB WELDED ASSY. - R.O.P.S. - AIR CONDITIONER	1		69	36N-18	NUT	8	
27	10A-0616	CLEVIS PIN	2				<u>SAFETY CHAIN INSTALLATION</u>		OPTIONAL
28	10A-0622	CLEVIS PIN	2		70	23257	LUG	4	
29	13A-0316	COTTER PIN	4		71	27217	SAFETY CHAIN	2	
30	13C-0416	ROLL PIN	2		72	14A-06	LOCKWASHER	4	
31	14A-04	LOCKWASHER	2		73	30A-06	NUT	8	
32	30A-04	NUT	4						
33	50A-0506	BOLT	14		74	16488	VENT DOOR	1	
34	14A-05	LOCKWASHER	11						
35	14C-05	FLATWASHER	5		75	46837	HANDLE - GRAB	2	REPAIR PART
36	30A-05	NUT	7		76	46838	HANDLE - GRAB	2	
37	38A-0502	CAGENUT	5		77	46874	HANDLE - GRAB	1	
38	38A-0503	CAGENUT	4						
39	50A-0608	BOLT	2						
40	14A-06	LOCKWASHER	2						
41	50A-0810	BOLT	6						
42	50A-1628	BOLT - R.O.P.S. SPLIT CAB	8						
43	14A-08	LOCKWASHER	6						
44	14C-08	FLATWASHER	6						
45	30D-08	NUT	4						
46	36N-16	NUT	8						

CHAMPION ROAD MACHINERY

OCTOBER 1990

PARA LA LISTA DE LAS PIEZAS - VFR AL VFRSO

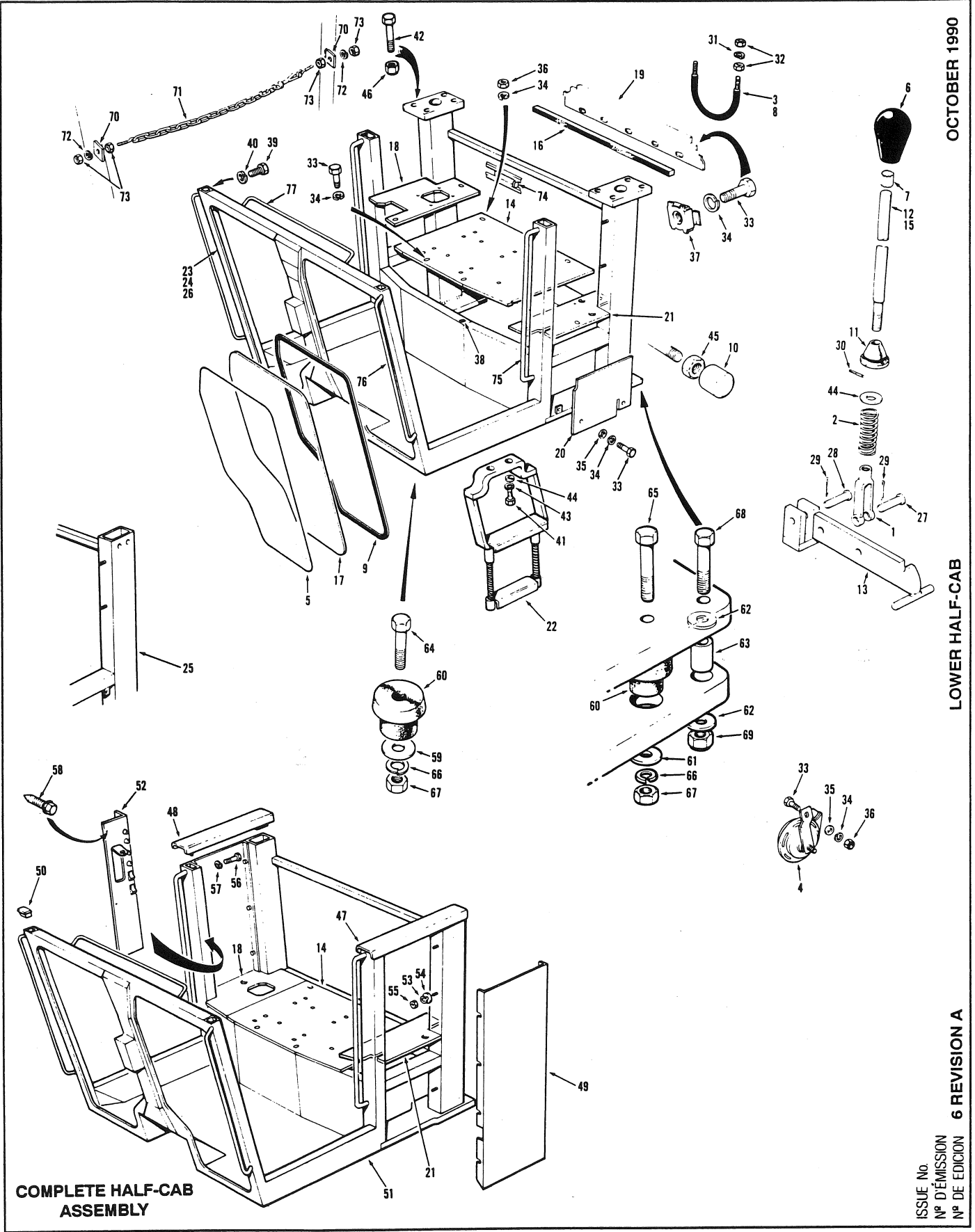
POUR LA LISTE DES PIÈCES - VOIR AU VFRSO

LOWER HALF-CAB

FOR LIST OF PARTS - TURN THIS PAGE

6 REVISION A

ISSUE No.
N° D'ÉMISSION
N° DE EDICIÓN



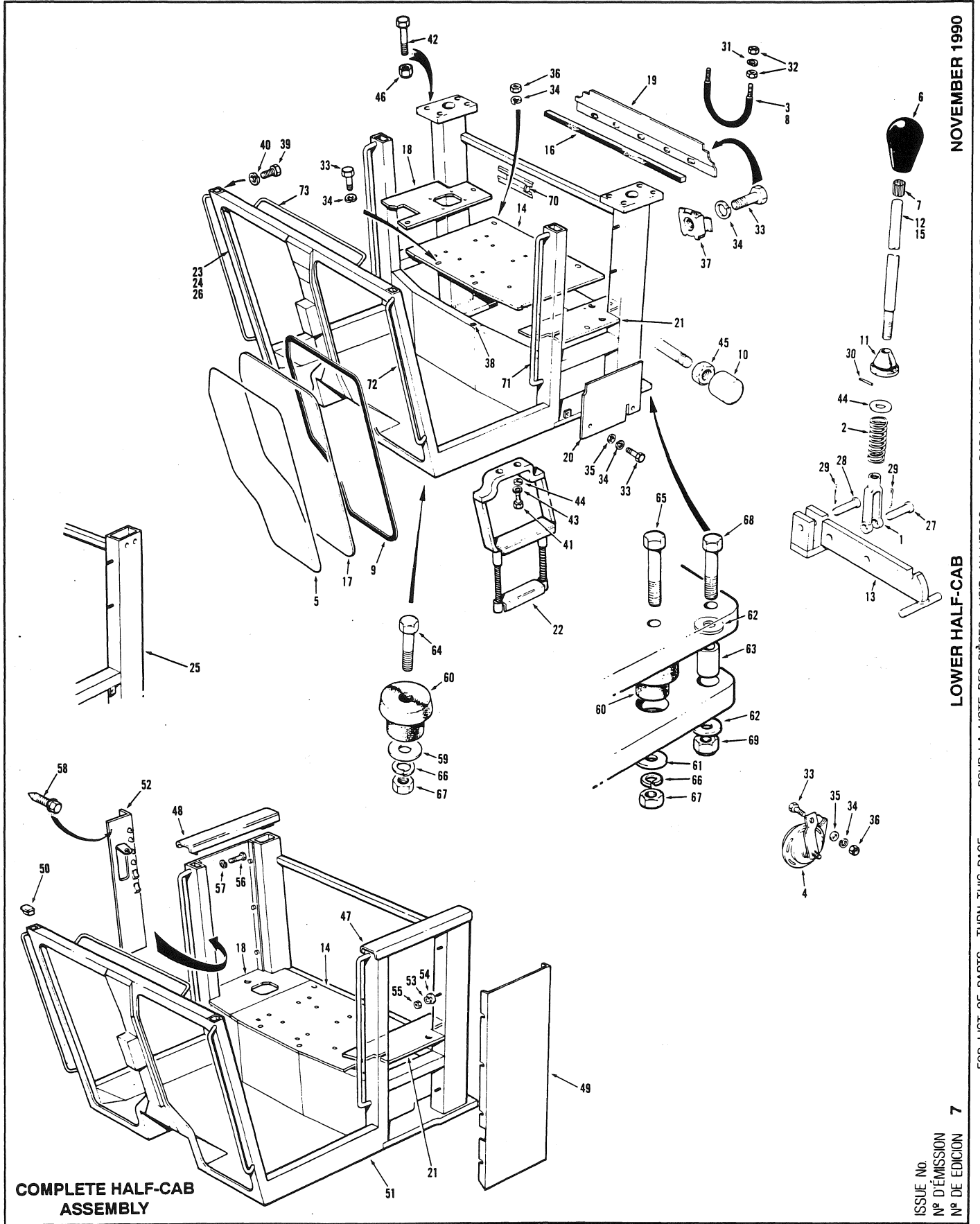
EFFECTIVE SERIAL NUMBER(S) 20606 TO 20892
 NUMERO(S) DE SÉRIE EFFECTIF(S)
 NUMERO(S) DE SÉRIE EFECTIVO(S)

700 SERIES
 SERIE 700

SECTION 11 PAGE 3
 SECCION 11 PAGINA 3

SECTION SECCION	11	PAGE PAGINA	4	ISSUE No. N° D'ÉMISSION N° DE EDICION	6 REVISION A	LOWER HALF-CAB			OCTOBER 1990
No. N° N°	PART No. N° DE PIÈCE N° DE PIEZA	DESCRIPTION DESCRIPTION DESCRIPCION	No. REQ. N° REQ. N° REQ.	REMARKS REMARQUES NOTAS	No. N° N°	PART No. N° DE PIECE N° DE PIEZA	DESCRIPTION DESCRIPTION DESCRIPCION	No. REQ. N° REQ. N° REQ.	REMARKS REMARQUES NOTAS
1	1412	YOKE	2				COMPLETE HALF CAB		OPTIONAL
2	8065	SPRING	2		47	32457	COVER PLATE - L.H.	1	
3	9480 x 9.5	HOSE - 9.5" LONG	1		48	32458	COVER PLATE - R.H.	1	
4	9685	HORN	1		49	32459	SIDE PANEL	2	
5	15388 x 120	LOCKING STRIP - 120" LONG	2		50	32461	PLUG	2	
6	48556	KNOB	2		51	49778	LOWER CAB WELDED ASSEMBLY	1	
7	17588	INSERT	2		52	48789	SWITCH PANEL	1	
8	52957	U-BOLT	1		53	14A-06	LOCKWASHER	20	
9	23017 x 120	RUBBER CHANNEL - 120" LONG	2		54	14C-06	FLATWASHER	20	
10	26019	DOOR BUMPER	4		55	30A-06	NUT	20	
11	26920	GROMMET	2		56	50A-0810	BOLT	10	
12	26921	RELEASE ROD - L.H.	1		57	14A-08	LOCKWASHER	10	
13	26938	LATCH	2		58	62A-1006	SCREW	2	
14	55236	SEAT DECK - CENTER SECTION	1						
15	27602	RELEASE ROD - R.H.	1				CAB MOUNTS		
16	28804 x 18	SEALING TAPE - 18" LONG	1						
17	32416	GLASS - FRONT	2		59	11967	WASHER	2	
18	56703	SPLIT SEAT DECK SECTION - R.H.	1		60	11970	RUBBER MOUNT	4	
19	53478	BACK JOINER PLATE	1		61	30075	WASHER	2	
20	41370	SIDE PANEL	2		62	49380	FLATWASHER	12	
21	*57258	SPLIT SEAT DECK SECTION - L.H.	1		63	46800	SPACER	8	
22	51111	STEP L.H.	1		64	50A-1232	BOLT	2	
	51112	STEP R.H.	1		65	50A-1236	BOLT	2	
23	49776	LOWER CAB WELDED ASSEMBLY - R.O.P.S.	1		66	14A-12	LOCKWASHER	4	
24	49777	LOWER CAB WELDED ASSEMBLY - R.O.P.S. SHELL	1		67	30A-12	NUT	4	
25	49779	LOWER CAB WELDED ASSEMBLY - SHELL	1		68	57005	BOLT	8	
26	49781	LOWER CAB WELDED ASSEMBLY - R.O.P.S. - AIR CONDITIONER	1		69	57004	NUT	8	
27	10A-0616	CLEVIS PIN	2				SAFETY CHAIN INSTALLATION		OPTIONAL
28	10A-0622	CLEVIS PIN	2		70	23257	LUG	4	
29	13A-0316	COTTER PIN	4		71	27217	SAFETY CHAIN	2	
30	13C-0416	ROLL PIN	2		72	14A-06	LOCKWASHER	4	
31	14A-04	LOCKWASHER	2		73	30A-06	NUT	8	
32	30A-04	NUT	4						
33	50A-0506	BOLT	14		74	16488	VENT DOOR	1	
34	14A-05	LOCKWASHER	11						
35	14C-05	FLATWASHER	5		75	46837	HANDLE - GRAB	2	} REPAIR PART
36	30A-05	NUT	7		76	46838	HANDLE - GRAB	2	
37	38A-0502	CAGE NUT	5		77	46874	HANDLE - GRAB	1	
38	38A-0503	CAGE NUT	4						
39	50A-0608	BOLT	2						
40	14A-08	LOCKWASHER	2						
41	50A-0810	BOLT	6						
42	57003	BOLT - R.O.P.S. SPLIT CAB	8						
43	14A-08	LOCKWASHER	6						
44	14C-08	FLATWASHER	6						
45	30D-08	NUT	4						
46	52002	NUT	8						

CHAMPION ROAD MACHINERY



COMPLETE HALF-CAB ASSEMBLY

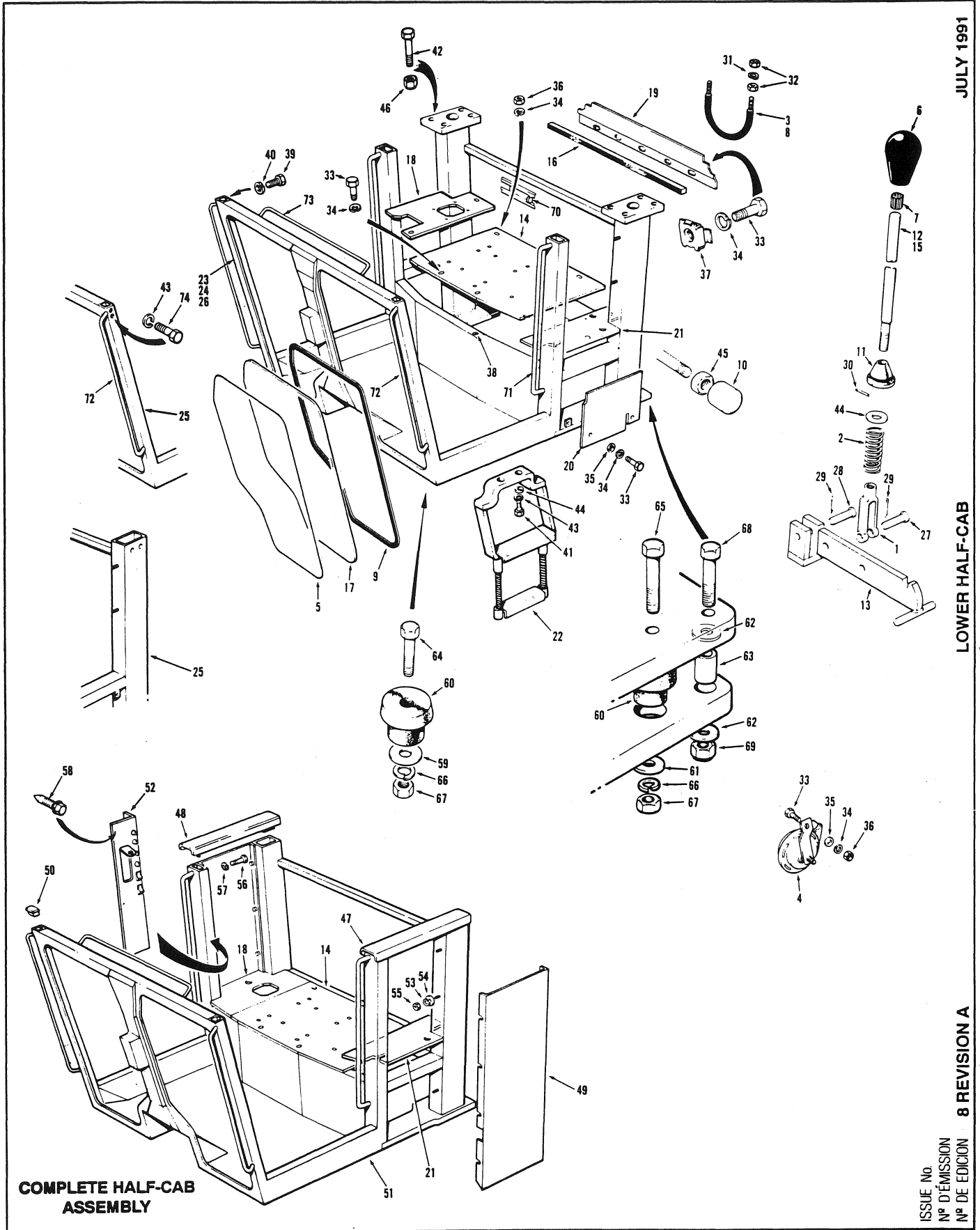
EFFECTIVE SERIAL NUMBER(S)
NUMERO(S) DE SÉRIE EFFECTIF(S)
NUMERO(S) DE SERIE EFECTIVO(S)

20893 TO 21077, 21079, 21083,
21085, 21087, 21089 TO 21091

700 SERIES
SERIE 700

SECTION 11 **PAGE 3**
SECCION 11 **PAGINA 3**

SECTION SECCION	PAGE PAGINA	ISSUE No. N° D'ÉMISSION N° DE EDICION	LOWER HALF-CAB		NOVEMBER 1990				
No. N° N°	PART No. N° DE PIÈCE N° DE PIEZA	DESCRIPTION DÉSCRIPTION DESCRIPCION	No. REQ. N° REQ. N° REQ.	REMARKS REMARQUES NOTAS	No. N° N°	PART No. N° DE PIECE N° DE PIEZA	DESCRIPTION DÉSCRIPTION DESCRIPCION	No. REQ. N° REQ. N° REQ.	REMARKS REMARQUES NOTAS
1	1412	YOKE	2				COMPLETE HALF CAB		OPTIONAL
2	8065	SPRING	2		47	32457	COVER PLATE - L.H.	1	
3	9480 x 9.5	HOSE	1		48	32458	COVER PLATE - R.H.	1	
4	9685	HORN	1		49	32459	SIDE PANEL	2	
5	15388 x 120	LOCKING STRIP	2		50	32461	PLUG	2	
6	48556	KNOB	2		51	* 57184	LOWER CAB WELDED ASSEMBLY	1	
7	17588	INSERT	2		52	48789	SWITCH PANEL	1	
8	52957	U-BOLT	1		53	14A-06	LOCKWASHER	20	
9	23017 x 120	RUBBER CHANNEL	2		54	14C-06	FLATWASHER	20	
10	26019	DOOR BUMPER	4		55	30A-06	NUT	20	
11	26920	GROMMET	2		56	50A-0810	BOLT	10	
12	26921	RELEASE ROD - L.H.	1		57	14A-08	LOCKWASHER	10	
13	26938	LATCH	2		58	62A-1006	SCREW	2	
14	55236	SEAT DECK - CENTER SECTION	1				CAB MOUNTS		
15	27602	RELEASE ROD - R.H.	1		59	11967	WASHER	2	
16	28804 x 18	SEALING TAPE	1		60	11970	RUBBER MOUNT	4	
17	32416	GLASS - FRONT	2		61	30075	WASHER	2	
18	56703	SPLIT SEAT DECK SECTION - R.H.	1		62	49380	FLATWASHER	12	
19	53478	BACK JOINER PLATE	1		63	46800	SPACER	8	
20	41370	SIDE PANEL	2		64	50A-1232	BOLT	2	
21	57258	SPLIT SEAT DECK SECTION - L.H.	1		65	50A-1236	BOLT	2	
22	51111	STEP L.H.	1		66	14A-12	LOCKWASHER	4	
	51112	STEP R.H.	1		67	30A-12	NUT	4	
23	* 57188	LOWER CAB WELDED ASSEMBLY - R.O.P.S.	1		68	57005	BOLT	8	
24	* 57192	LOWER CAB WELDED ASSEMBLY - R.O.P.S. SHELL	1		69	57004	NUT	8	
25	* 57219	LOWER CAB WELDED ASSEMBLY - SHELL	1		70	16488	VENT DOOR	1	
26	* 57196	LOWER CAB WELDED ASSEMBLY - R.O.P.S. - AIR CONDITIONER	1		71	46837	HANDLE - GRAB	2	} REPAIR PART
27	10A-0616	CLEVIS PIN	2		72	46838	HANDLE - GRAB	2	
28	10A-0622	CLEVIS PIN	2		73	46874	HANDLE - GRAB	1	
29	13A-0316	COTTER PIN	4						
30	13C-0416	ROLL PIN	2						
31	14A-04	LOCKWASHER	2						
32	30A-04	NUT	4						
33	50A-0506	BOLT	14						
34	14A-05	LOCKWASHER	11						
35	14C-05	FLATWASHER	5						
36	30A-05	NUT	7						
37	38A-0502	CAGE NUT	5						
38	38A-0503	CAGE NUT	4						
39	50A-0608	BOLT	2						
40	14A-06	LOCKWASHER	2						
41	50A-0810	BOLT	6						
42	57003	BOLT - R.O.P.S. SPLIT CAB	8						
43	14A-08	LOCKWASHER	6						
44	14C-08	FLATWASHER	6						
45	30D-08	NUT	4						
46	52002	NUT	8						



COMPLETE HALF-CAB ASSEMBLY

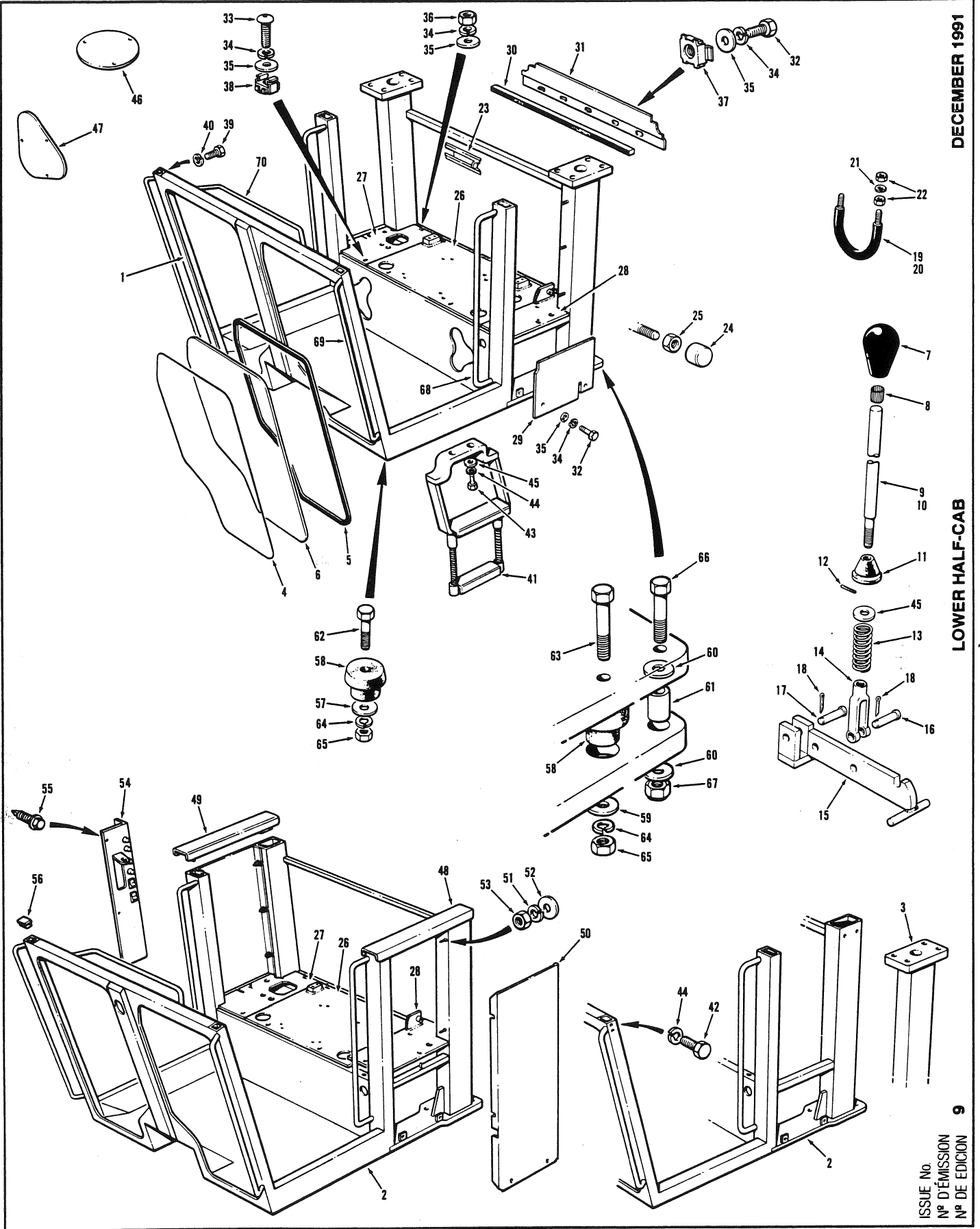
EFFECTIVE SERIAL NUMBER(S)
 NUMERO(S) DE SÉRIE EFFECTIF(S)
 NUMERO(S) DE SERIE EFECTIVO(S)

21078, 21080, 21082, 21084,
 21086, 21088, 21092 & UP

700 SERIES
SERIE 700

SECTION 11 PAGE 3
SECCION 11 PAGINA 3

SECTION SECCION	11	PAGE PAGINA	4	ISSUE No. N° D'ÉMISSION N° DE EDICION	8 REVISION A	LOWER HALF-CAB			JULY 1991
No. N° N°	PART No. N° DE PIÈCE N° DE PIEZA	DESCRIPTION DESCRIPTION DESCRIPCION	No. REQ. N° REQ. N° REQ.	REMARKS REMARQUES NOTAS	No. N° N°	PART No. N° DE PIÈCE N° DE PIEZA	DESCRIPTION DESCRIPTION DESCRIPCION	No. REQ. N° REQ. N° REQ.	REMARKS REMARQUES NOTAS
1	1412	YOKE	2				COMPLETE HALF CAB		OPTIONAL
2	8065	SPRING	2		47	32457	COVER PLATE - L.H.	1	
3	*9480 x 10.5	HOSE	1		48	32458	COVER PLATE - R.H.	1	
4	9685	HORN	1		49	32459	SIDE PANEL	2	
5	15388 x 120	LOCKING STRIP	2		50	32461	PLUG	2	
6	48556	KNOB	2		51	57497	LOWER CAB WELDED ASSEMBLY	1	
7	17588	INSERT	2		52	48789	SWITCH PANEL	1	
8	*57985	U-BOLT	1		53	14A-06	LOCKWASHER	20	
9	23017 x 120	RUBBER CHANNEL	2		54	14C-06	FLATWASHER	20	
10	26019	DOOR BUMPER	4		55	30A-06	NUT	20	
11	26920	GROMMET	2		56	50A-0810	BOLT	10	
12	26921	RELEASE ROD - L.H.	1		57	14A-08	LOCKWASHER	10	
13	26938	LATCH	2		58	62A-1006	SCREW	2	
14	55236	SEAT DECK - CENTER SECTION	1						
15	27602	RELEASE ROD - R.H.	1				CAB MOUNTS		
16	28804 x 18	SEALING TAPE	1						
17	32416	GLASS - FRONT	2		59	11967	WASHER	2	
18	56703	SPLIT SEAT DECK SECTION - R.H.	1		60	11970	RUBBER MOUNT	4	
19	53478	BACK JOINER PLATE	1		61	30075	WASHER	2	
20	41370	SIDE PANEL	2		62	49380	FLATWASHER	12	
21	57258	SPLIT SEAT DECK SECTION - L.H.	1		63	46800	SPACER	8	
22	51111	STEP L.H.	1		64	50A-1232	BOLT	2	
	51112	STEP R.H.	1		65	50A-1236	BOLT	2	
	*58794	STEP - L.H. - FOR L.H. MAST INSTALLATION	1	S/N 21563 & UP	66	14A-12	LOCKWASHER	4	
23	57507	LOWER CAB WELDED ASSEMBLY - R.O.P.S.	1		67	30A-12	NUT	4	
24	*65066	LOWER CAB WELDED ASSEMBLY - R.O.P.S. CANOPY	1		68	57005	BOLT	8	
25	*57965	LOWER CAB WELDED ASSEMBLY - CANOPY	1		69	57004	NUT	8	
	57511	LOWER CAB WELDED ASSEMBLY - R.O.P.S.	1						
26		- AIR CONDITIONER			70	16488	VENT DOOR	1	
	57502	LOWER CAB WELDED ASSEMBLY - SPLIT	1		71	46837	HANDLE - GRAB	2	} REPAIR PART
27	10A-0616	CLEVIS PIN	2		72	46838	HANDLE - GRAB	2	
28	10A-0622	CLEVIS PIN	2		73	46874	HANDLE - GRAB	1	
29	13A-0316	COTTER PIN	4						
30	13C-0416	ROLL PIN	2		74	*50A-0808	BOLT - CANOPY	4	
31	14A-04	LOCKWASHER	2						
32	30A-04	NUT	4						
33	50A-0506	BOLT	14						
34	14A-05	LOCKWASHER	11						
35	14C-05	FLATWASHER	5						
36	30A-05	NUT	7						
37	38A-0502	CAGE NUT	5						
38	38A-0503	CAGE NUT	4						
39	50A-0608	BOLT	2						
40	14A-06	LOCKWASHER	2						
41	50A-0810	BOLT	6						
42	57003	BOLT - R.O.P.S. SPLIT CAB	8						
43	14A-08	LOCKWASHER	10						
44	14C-08	FLATWASHER	6						
45	30D-08	NUT	4						
46	52002	NUT	8						



ISSUE No
N° D'ÉMISSION
N° DE EDICIÓN

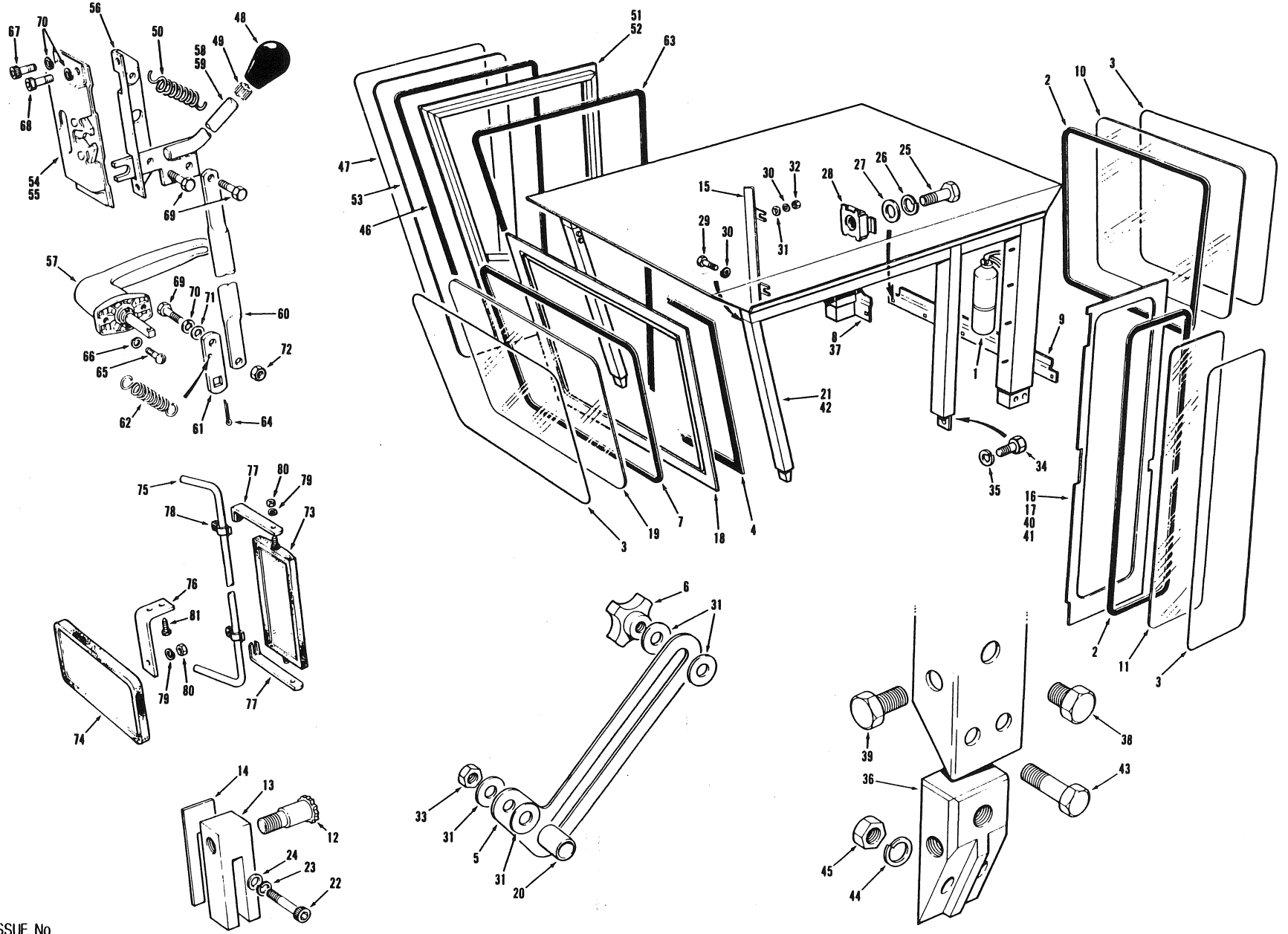
EFFECTIVE SERIAL NUMBERS)
NUMERO(S) DE SÉRIE EFFECTIF(S)
NUMERO(S) DE SERIE EFECTIVO(S)

21911 & UP

700 SERIES
SERIE 700

SECTION 11 PAGE 3
SECCION 11 PAGINA 3

SECTION SECCION		PAGE PAGINA		ISSUE No. N° D'ÉMISSION N° DE EDICION		LOWER HALF-CAB			DECEMBER1991	
No. N° N°	PART No. N° DE PIÈCE N° DE PIEZA	DESCRIPTION DESCRIPTION DESCRIPCION	No. REQ. N° REQ. N° REQ.	REMARKS REMARQUES NOTAS	No. N° N°	PART No. N° DE PIECE N° DE PIEZA	DESCRIPTION DESCRIPTION DESCRIPCION	No. REQ. N° REQ. N° REQ.	REMARKS REMARQUES NOTAS	
1	*65091	LOWER CAB WELDED ASSEMBLY - R.O.P.S.	1		42	50A-0808	BOLT - CANOPY	4		
	*65089	LOWER CAB WELDED ASSEMBLY - R.O.P.S. - AIR CONDITIONER	1		43	50A-0810	BOLT	4		
	*65094	LOWER CAB WELDED ASSEMBLY SPLIT	1		44	14A-08	LOCKWASHER	8		
2	57965	LOWER CAB WELDED ASSEMBLY - CANOPY	1		45	14C-08	FLATWASHER	6		
	65086	LOWER CAB WELDED ASSEMBLY - R.O.P.S. CANOPY	1		46	*65121	COVER PLATE - SEAT DECK LOUVRE	3		
3					47	*65122	COVER PLATE - SEAT RISER LOUVRE	2		
4	15388 x 120	LOCKING STRIP	2		2	57965	<u>COMPLETE HALF CAB</u> LOWER CAB WELDED ASSEMBLY - CANOPY	1		
5	23017 x 120	RUBBER CHANNEL	2		48	32457	COVER PLATE - L.H.	1		
6	32416	GLASS - FRONT	2		49	32458	COVER PLATE - R.H.	1		
7	48556	KNOB	2		50	65243	COVER	2		
8	17588	INSERT	2		51	14A-06Z	LOCKWASHER	20		
9	26921	RELEASE ROD - L.H.	1		52	14C-06Z	FLATWASHER	20		
10	27602	RELEASE ROD - R.H.	1		53	30A-06Z	NUT	20		
11	26920	GROMMET	2		54	48789	SWITCH PANEL	1		
12	13C-0416	ROLL PIN	2		55	62A-1006	SCREW	2		
13	8065	SPRING	2		56	32461	PLUG	2		
14	1412	YOKE	2				<u>CAB MOUNTS</u>			
15	26938	LATCH	2		57	11967	WASHER	2		
16	10A-0616	CLEVIS PIN	2		58	11970	RUBBER MOUNT	4		
17	10A-0822	CLEVIS PIN	2		59	30075	WASHER	2		
18	13A-0316	COTTER PIN	4		60	49380	FLATWASHER	16		
19	9480 x 10.5	HOSE	1		61	46800	SPACER	8		
20	57885	U-BOLT	1		62	50A-1232	BOLT	2		
21	14A-04Z	LOCKWASHER	2		63	50A-1236	BOLT	2		
22	30A-04Z	NUT	4		64	14A-12	LOCKWASHER	4		
23	16488	VENT DOOR	1		65	30A-12	NUT	4		
24	26019	DOOR BUMPER	4		66	57005	BOLT	8		
25	30D-08	NUT	4		67	57004	NUT	8		
26	*65027	SEAT DECK - CENTER	1							
27	*65031	SEAT DECK - R.H.	1		68	46837	HANDLE - GRAB	2	} Repair Part	
28	*65035	SEAT DECK - L.H.	1		69	46838	HANDLE - GRAB	2		
29	41370	SIDE PANEL	2		70	46874	HANDLE - GRAB	1		
30	28804 x 18	SEALING TAPE	1							
31	53478	BACK JOINER PLATE	1							
32	50A-0506Z	BOLT	9							
33	*50F-0508	BOLT	4							
34	14A-05Z	LOCKWASHER	19							
35	14C-05Z	FLATWASHER	19							
36	30A-05Z	NUT	6							
37	38A-0502	CAGE NUT	5							
38	38A-0503	CAGE NUT	4							
39	50A-0608	BOLT	2							
40	14A-08	LOCKWASHER	2							
41	51111	STEP - L.H.	1							
	51112	STEP - R.H.	1							
	58794	STEP - L.H. MAST INSTALLATION	1							



UPPER CAB

NOVEMBER 1984

FOR LIST OF PARTS - TURN THIS PAGE POUR LA LISTE DES PIÈCES - VOIR AU VERSO PARA LA LISTA DE LAS PIEZAS - VER AL VERSO

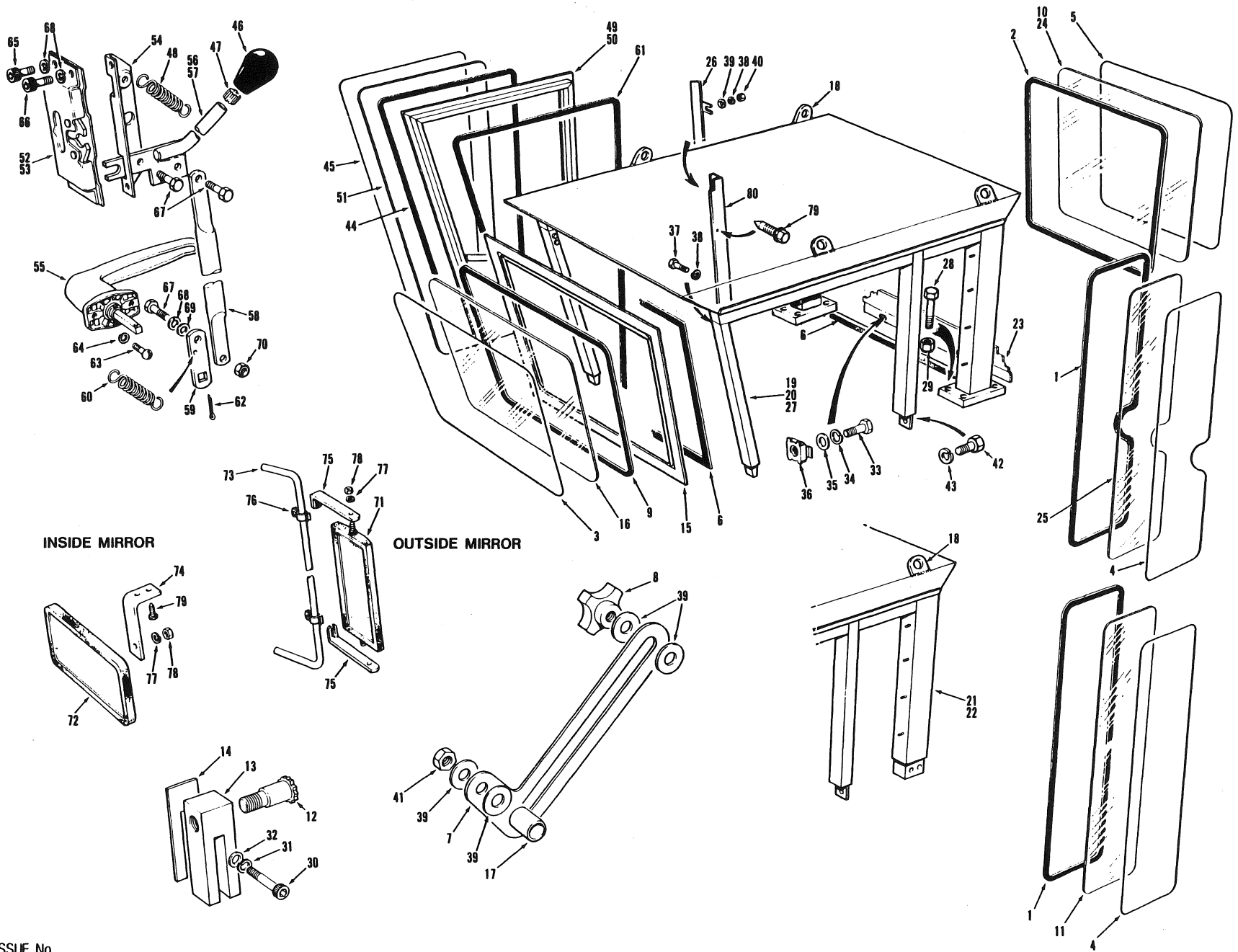
ISSUE No.
N° D'ÉMISSION
N° DE EDICION 1

EFFECTIVE SERIAL NUMBERS) 16224,16245 & UP
NUMEROS) DE SÉRIE EFFECTIFS)
NUMEROS) DE SERIE EFECTIVOS)
U.S. 2021-2 & UP

700 SERIES
SERIE 700

SECTION 11 PAGE 5
SECCION 11 PAGINA 5

SECTION SECCION 11		PAGE PAGINA 6	ISSUE No. N° D'ÉMISSION N° DE EDICION 1	UPPER CAB			NOVEMBER 1984		
No. N° N°	PART No. N° DE PIÈCE N° DE PIEZA	DESCRIPTION DÉSCRIPTION DESCRIPCION	No. REQ. N° REQ. N° REQ.	REMARKS REMARQUES NOTAS	No. N° N°	PART No. N° DE PIECE N° DE PIEZA	DESCRIPTION DÉSCRIPTION DESCRIPCION	No. REQ. N° REQ. N° REQ.	REMARKS REMARQUES NOTAS
1	2806	FIRE EXTINGUISHER	A.R.				<u>DOORS</u>		OPTIONAL
2	15386	RUBBER CHANNEL	A.R.						
3	15388	LOCKING STRIP	A.R.		46	15386	RUBBER CHANNEL	A.R.	
4	19176	WEATHER STRIP	A.R.		47	15388	LOCKING STRIP	A.R.	
5	19784	ADJUSTING SLIDE	2		48	17587	KNOB	1	
6	19890	KNOB	2		49	17588	INSERT	1	
7	23017	RUBBER CHANNEL	A.R.		50	23294	SPRING	1	
8	28531	WRAP SHEET	1		51	27617	DOOR - R.H.	1	
9	28535	JOINER	1		52	27618	DOOR - L.H.	1	
10	28571	GLASS - REAR	1		53	28574	GLASS - DOOR	1	
11	28573	GLASS - SIDE	2		54	28577	LATCH - R.H.	1	
12	28580	STRIKER PIN	2		55	28578	LATCH - L.H.	1	
13	28597	BLOCK - DOOR CATCH	2		56	28579	MOUNTING PLATE	1	
14	28598	SHIM	2		57	28581	HANDLE	1	
15	28908	COVER PLATE	1		58	28582	LEVER - L.H.	1	
16	32634	WINDOW FRAME- L.H.	1		59	28583	LEVER - R.H.	1	
17	32635	WINDOW FRAME - R.H.	1		60	28586	ROD	1	
18	33280	WINDSHIELD FRAME	1		61	28588	LEVER	1	
19	33281	GLASS - WINDSHIELD	1		62	28630	SPRING	1	
20	33284	SPACER	2		63	28709	WEATHER SEAL	A.R.	
21	33306	SPLIT CAB WELDED ASSY. - UPPER	1						
22	50D-0410	BOLT	4		64	13A-0212	COTTER PIN	1	
23	14A-04	LOCKWASHER	4		65	52L-0803	MACHINE SCREW	2	
24	14C-04	FLATWASHER	4		66	14F-08	LOCKWASHER	2	
25	50A-0506	BOLT	5		67	50D-0406	BOLT	2	
26	14A-05	LOCKWASHER	5		68	50D-0408	BOLT	2	
27	14C-05	FLATWASHER	5		69	51A-0406	BOLT	3	
28	38A-0504	CAGENUT	5		70	14A-04	LOCKWASHER	4	
29	50A-0608	BOLT	4		71	14C-04	FLATWASHER	1	
30	14A-06	LOCKWASHER	7		72	37D-04	LOCKNUT	3	
31	14C-06	FLATWASHER	11						
32	30A-06	NUT	3				<u>MIRROR INSTALLATION</u>		OPTIONAL
33	36D-06	LOCKNUT	2						
34	50A-0810	BOLT	6		73	8596A	MIRROR - OUTSIDE	1or2	
35	14A-08	LOCKWASHER	6		74	8597A	MIRROR - INSIDE - C/W ITEMS 79 & 80	1	
		<u>R.O.P.S.</u>			75	28656-1	MOUNTING BAR	1or2	
					76	28760-1	BRACKET	1	
					77	32323	BRACKET	2or4	
36	28728	JOINER	2		78	32892	INSTALLATION KIT - C/W CLAMPS & HARDWARE	2or4	
37	32487	WRAP SHEET	1		79	14A-05	LOCKWASHER	5	
38	32492	BOLT	4		80	30A-05	NUT	5	
39	32493	BOLT	4		81	62A-1006	SCREW	2	
40	32636	WRAP SHEET - R.H.	1						
41	32637	WRAP SHEET - L.H.	1						
42	33305	UPPER CAB WELDED ASSY. - R.O.P.S.	1						
43	51A-2024	BOLT	4						
44	14A-20	LOCKWASHER	4						
45	37D-20	LOCKNUT	4						



INSIDE MIRROR

OUTSIDE MIRROR

UPPER CAB

APRIL 1988

ISSUE No.
 N° D'ÉMISSION
 N° DE EDICION 2 REVISION C

FOR LIST OF PARTS - TURN THIS PAGE

POUR LA LISTE DES PIÈCES - VOIR AU VERSO

PARA LA LISTA DE LAS PIEZAS - VER AL VERSO

USE ONLY CHAMPION APPROVED PARTS



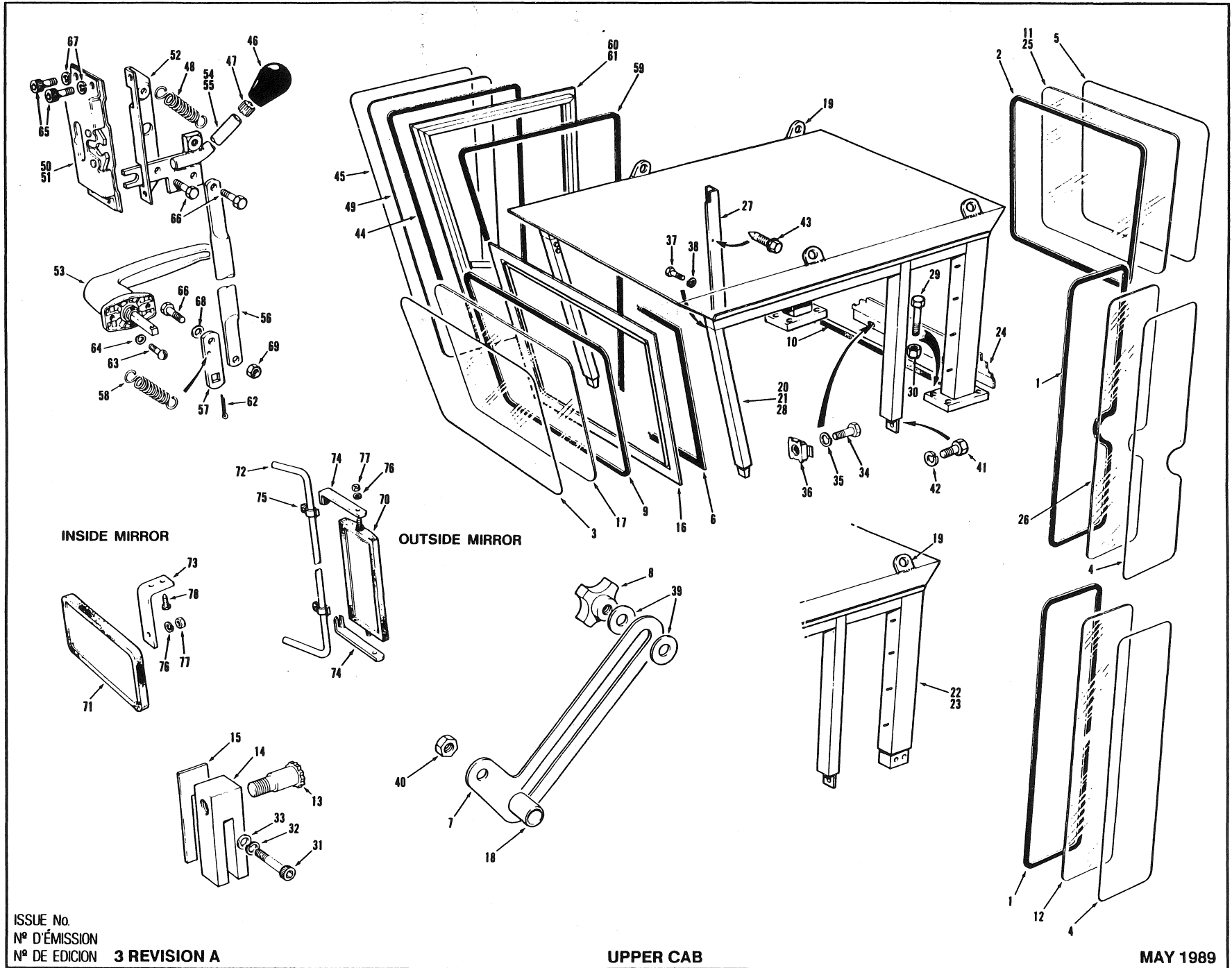
EFFECTIVE SERIAL NUMBER(S) 16883 TO 18801
 NUMERO(S) DE SERIE EFFECTIF(S)
 NUMERO(S) DE SERIE EFECTIVOS(S)
 U.S. 2595-2 & UP

700 SERIES
 SERIE 700

SECTION 11 PAGE 5
 SECTION 11 PAGINA 5

SECTION SECCION 11		PAGE PAGINA 6	ISSUE No. N° D'ÉMISSION N° DE EDICION	2 REVISION C		UPPER CAB				APRIL 1988
No. N° N°	PART No. N° DE PIÈCE N° DE PIEZA	DESCRIPTION DÉSCRIPTION DESCRIPCION	No. REQ. N° REQ. N° REQ.	REMARKS REMARQUES NOTAS	No. N° N°	PART No. N° DE PIÈCE N° DE PIEZA	DESCRIPTION DÉSCRIPTION DESCRIPCION	No. REQ. N° REQ. N° REQ.	REMARKS REMARQUES NOTAS	
1	15386 X 148	RUBBER CHANNEL - 148 INCHES LONG	1				<u>DOORS</u>		OPTIONAL	
2	15386 X 180	RUBBER CHANNEL - 180 INCHES LONG	1							
3	15388 X 168	LOCKING STRIP - 168 INCHES LONG	1		44	15386 X 192	RUBBER CHANNEL - 192 INCHES LONG	1		
4	15388 X 148	LOCKING STRIP - 148 INCHES LONG	1		45	15388 X 192	LOCKING STRIP - 192 INCHES LONG	1		
5	15388 X 180	LOCKING STRIP - 180 INCHES LONG	1		46	17587	KNOB	1		
6	19176 X 180	WEATHER STRIP - 180 INCHES LONG	1		47	17588	INSERT	1		
7	19784	ADJUSTING SLIDE	2		48	23294	SPRING	1		
8	19890	KNOB	2		49	27617	DOOR - R.H.	1		
9	23017 X 168	RUBBER CHANNEL - 168 INCHES LONG	1		50	27618	DOOR - L.H.	1		
10	28571	GLASS - REAR	1		51	28574	GLASS - DOOR	1		
11	28573	GLASS - SIDE	2		52	28577	LATCH - R.H.	1		
12	28580	STRIKER PIN	2		53	28578	LATCH - L.H.	1		
13	28597	BLOCK - DOOR CATCH	2		54	28579	MOUNTING PLATE	1		
14	28598	SHIM	2		55	28581	HANDLE	1		
15	33280	WINDSHIELD FRAME	1		56	28582	LEVER - L.H.	1		
16	33281	GLASS - WINDSHIELD	1		57	28583	LEVER - R.H.	1		
17	33284	SPACER	2		58	28586	ROD	1		
18	36493	CAB LIFTING EYE	4	REPAIR PART	59	28588	LEVER	1		
19	40543	UPPER CAB WELDED ASSY. - R.O.P.S.	1		60	28630	SPRING	1		
20	40544	UPPER CAB WELDED ASSY. - R.O.P.S.SHELL	1		61	28709 X 210	WEATHER SEAL - 210 INCHES LONG	1		
21	40549	UPPER CAB WELDED ASSY.	1		62	13A-0212	COTTER PIN	1		
22	40550	UPPER CAB WELDED ASSY. - SHELL	1		63	52L-0803	MACHINE SCREW	2		
23	40676	JOINER	1		64	14F-08	LOCKWASHER	2		
24	40690	GLASS - REAR - R.O.P.S.	1		65	50D-0406	BOLT	2		
25	40691	GLASS - SIDE - R.O.P.S.	1		66	50D-0408	BOLT	2		
26	42643	COVER PLATE (UP TO 18712, 18714, 18718)	1		67	51A-0406	BOLT	3		
27	50053	UPPER CAB WELDED ASSY. - AIR	1		68	14A-04	LOCKWASHER	5		
28	50A-1628	BOLT - R.O.P.S.	8		69	14C-04	FLATWASHER	1		
29	36D-16	LOCKNUT - R.O.P.S.	8		70	37D-04	LOCKNUT	3		
30	50D-0410	BOLT	4				<u>MIRROR INSTALLATION</u>		OPTIONAL	
31	14A-04	LOCKWASHER	4							
32	14C-04	FLATWASHER	4		71	8596A	MIRROR - OUTSIDE	1		
33	50A-0506	BOLT	5		72	8597A	MIRROR - INSIDE - C/W ITEMS 77 & 78	1		
34	14A-05	LOCKWASHER	5		73	28656-1	MOUNTING BAR	2		
35	14C-05	FLATWASHER	5		74	28760-1	BRACKET	1		
36	38A-0504	CAGENUT	5		75	32323	BRACKET	2		
37	50A-0608	BOLT	4		76	32892	INSTALLATION KIT - C/W CLAMPS & HARDWARE	2		
38	14A-06	LOCKWASHER	7		77	14A-05	LOCKWASHER	5		
39	14C-06	FLATWASHER	11		78	30A-05	NUT	5		
40	30A-06	NUT	3		79	62A-1006	SCREW	2		
41	36D-06	LOCKNUT	2							
42	50A-0810	BOLT	6							
43	14A-08	LOCKWASHER	6							
					80	*48091	UPPER COVER PLATE	1	SERIAL NO. 18713, 18715 TO 18717, 18719 & UP	

CHAMPION ROAD MACHINERY



EFFECTIVE SERIAL NUMBER(S)
 NUMEROS(S) DE SERIE EFFECTIFS(S)
 NUMEROS(S) DE SERIE EFFECTIVOS(S)

188021, 18878 & UP

700 SERIES
 SERIE 700

SECTION 11 PAGE 5
 SECTION 11 PAGINA 5

ISSUE No.
 N° D'ÉMISSION
 N° DE EDICION **3 REVISION A**

UPPER CAB

MAY 1989

FOR LIST OF PARTS - TURN THIS PAGE

POUR LA LISTE DES PIÈCES - VOIR AU VERSO

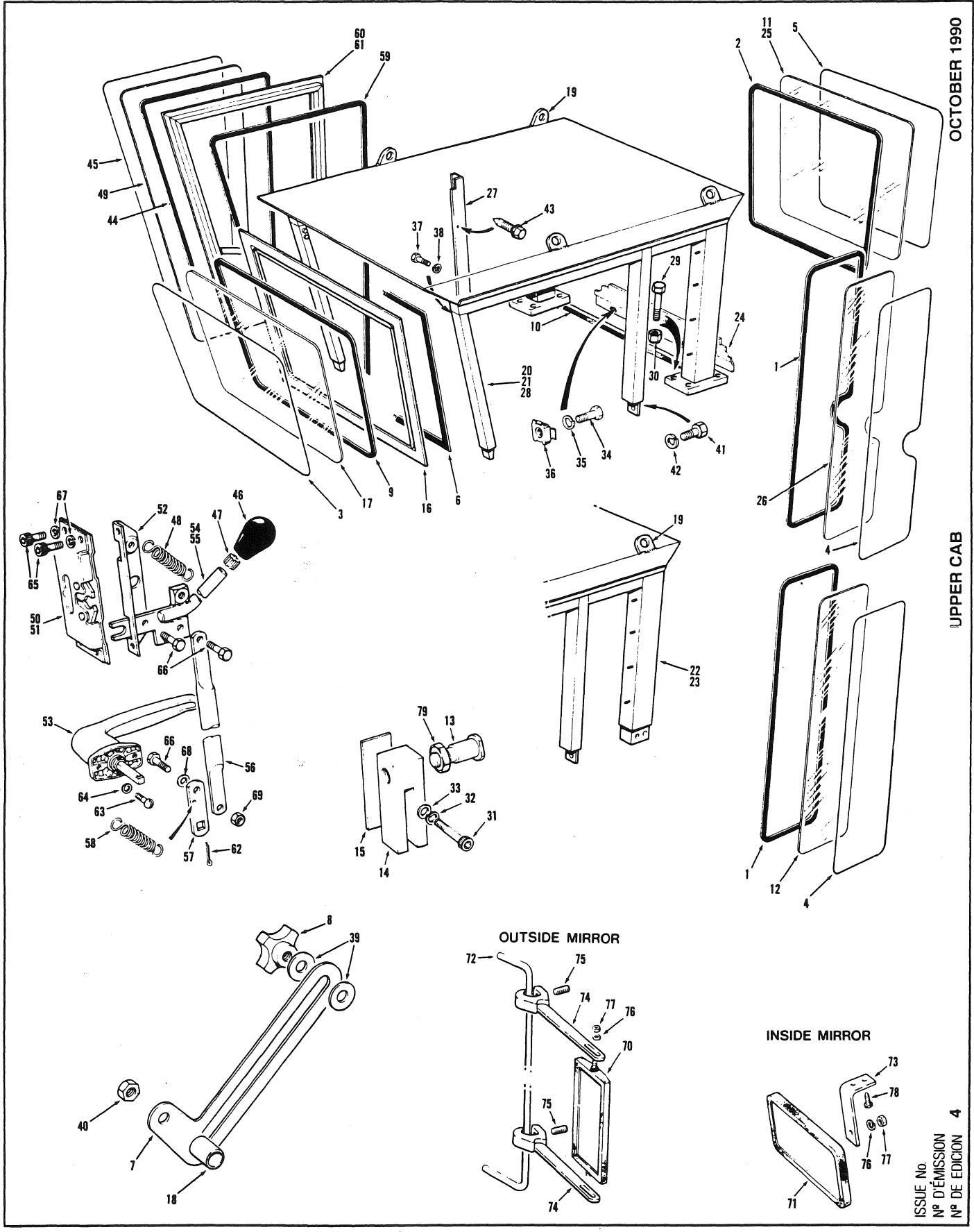
PARA LA LISTA DE LAS PIEZAS - VER AL VERSO

USE ONLY **CHAMPION** APPROVED PARTS
 ROAD MACHINERY

SECTION 11		PAGE 6	ISSUE No. N° D'ÉMISSION 3 REVISION A N° DE EDICION	UPPER CAB		MAY 1989			
No. N° N°	PART No. N° DE PIÈCE N° DE PIEZA	DESCRIPTION DÉSCRIPTION DESCRIPCION	No. REQ. N° REQ. N° REQ.	REMARKS REMARQUES NOTAS	No. N° N°	PART No. N° DE PIECE N° DE PIEZA	DESCRIPTION DÉSCRIPTION DESCRIPCION	No. REQ. N° REQ. N° REQ.	REMARKS REMARQUES NOTAS
1	15386 X 148	RUBBER CHANNEL - 148 INCHES LONG	2				<u>DOORS</u>		OPTIONAL
2	15386 X 180	RUBBER CHANNEL - 180 INCHES LONG	1						
3	15388 X 168	LOCKING STRIP - 168 INCHES LONG	1		44	15386 X 192	RUBBER CHANNEL - 192 INCHES LONG	1	
4	15388 X 148	LOCKING STRIP - 148 INCHES LONG	2		45	15388 X 192	LOCKING STRIP - 192 INCHES LONG	1	
5	15388 X 180	LOCKING STRIP - 180 INCHES LONG	1		46	*48556	KNOB	1	
6	19176 X 180	WEATHER STRIP - 180 INCHES LONG	1		47	17588	INSERT	1	
7	19784	ADJUSTING SLIDE	2		48	*28630	SPRING	1	
8	19890	KNOB	2		49	28574	GLASS - DOOR	1	
9	23017 X 168	RUBBER CHANNEL - 168 INCHES LONG	1		50	28577	LATCH - R.H.	1	
10	28804 X 18	TAPE - 18 INCHES LONG	2		51	28578	LATCH - L.H.	1	
11	28571	GLASS - REAR	1		52	28579	MOUNTING PLATE	1	
12	28573	GLASS - SIDE	2		53	28581	HANDLE	1	
13	28580	STRIKER PIN	2		54	28582	LEVER - L.H.	1	
14	28597	BLOCK - DOOR CATCH	2		55	28583	LEVER - R.H.	1	
15	28598	SHIM	4		56	28586	ROD	1	
16	33280	WINDSHIELD FRAME	1		57	28588	LEVER	1	
17	33281	GLASS - WINDSHIELD	1		58	28630	SPRING	1	
18	33284	SPACER	2		59	43578 X 210	WEATHER SEAL - 210 INCHES LONG	1	
19	36493	CAB LIFTING EYE	4	REPAIR PART	60	46753	DOOR - R.H.	1	
20	40543	UPPER CAB WELDED ASSY. - R.O.P.S.	1		61	46754	DOOR - L.H.	1	
21	40544	UPPER CAB WELDED ASSY. - R.O.P.S.SHELL	1						
22	40549	UPPER CAB WELDED ASSY.	1		62	13A-0212	COTTER PIN	1	
23	40550	UPPER CAB WELDED ASSY. - SHELL	1		63	52L-0803	MACHINE SCREW	2	
24	*53478	JOINER	1		64	14F-08	LOCKWASHER	2	
25	40690	GLASS - REAR - R.O.P.S.	1		65	50D-0408	BOLT	4	
26	40691	GLASS - SIDE - R.O.P.S.	1		66	50A-0406	BOLT	3	
27	*48803	UPPER COVER PLATE	1		67	14A-04	LOCKWASHER	4	
28	50053	UPPER CAB WELDED ASSY. - R.O.P.S. - AIR CONDITIONER	1		68	14C-04	FLATWASHER	1	
					69	36D-04	LOCKNUT	3	
29	50A-1628	BOLT - R.O.P.S.	8				<u>MIRROR INSTALLATION</u>		OPTIONAL
30	36N-16	LOCKNUT - R.O.P.S.	8						
31	50A-0410	BOLT	4		70	8596A	MIRROR - OUTSIDE	1	
32	14J-04	LOCKWASHER	4		71	8597A	MIRROR - INSIDE - C/W ITEMS 76 & 77	1	
33	14C-04	FLATWASHER	4		72	28656-1	MOUNTING BAR	2	
34	50A-0506	BOLT	5		73	28760-1	BRACKET	1	
35	14A-05	LOCKWASHER	5		74	*49792	BRACKET	2	
36	38A-0502	CAGENUT	5		75	32892	INSTALLATION KIT - C/W CLAMPS & HARDWARE	2	
37	50A-0608	BOLT	4		76	14A-05	LOCKWASHER	5	
38	14A-06	LOCKWASHER	4		77	30A-05	NUT	5	
39	14C-06	FLATWASHER	4		78	62A-1006	SCREW	2	
40	36D-06	LOCKNUT	2						
41	50A-0810	BOLT	6						
42	14A-08	LOCKWASHER	6						
43	62A-1006	SCREW	2						

CHAMPION ROAD MACHINERY

UPPER CAB



EFFECTIVE SERIAL NUMBER(S) 20719 TO 20892,
 NUMERO(S) DE SÉRIE EFFECTIF(S) EXCLUDING 20731
 NUMERO(S) DE SÉRIE EFECTIVO(S)

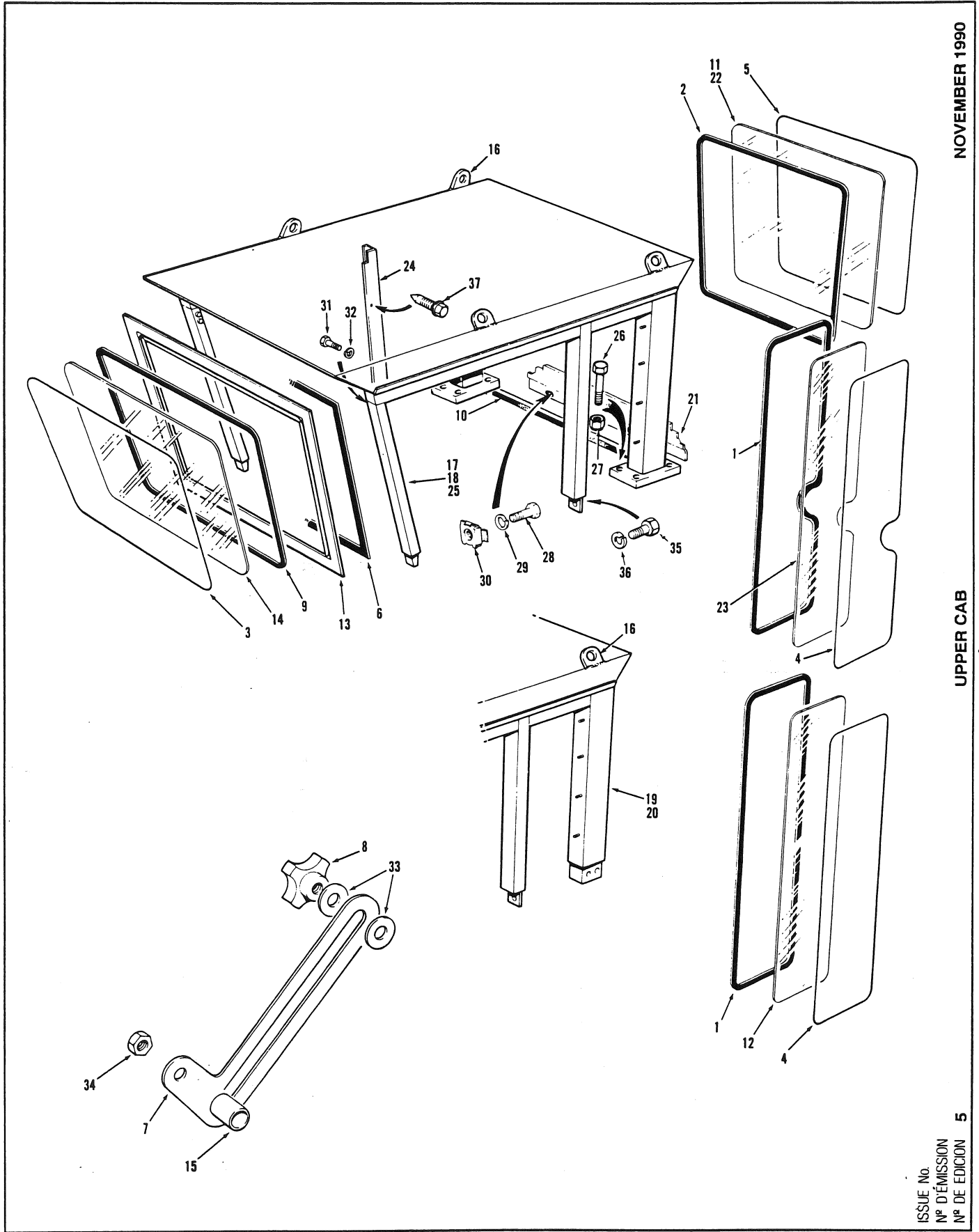
700 SERIES
SERIE 700

SECTION 11 **PAGE 5**
SECCION 11 **PAGINA 5**

ISSUE No.
 N° D'ÉMISSION
 N° DE EDICIÓN

SECTION SECCION		PAGE PAGINA		ISSUE No. N° D'ÉMISSION N° DE EDICION		UPPER CAB					OCTOBER 1990	
No. N° N°	PART No. N° DE PIÈCE N° DE PIEZA	DESCRIPTION DÉSCRIPTION DESCRIPCION	No. REQ. N° REQ. N° REQ.	REMARKS REMARQUES NOTAS	No. N° N°	PART No. N° DE PIECE N° DE PIEZA	DESCRIPTION DÉSCRIPTION DESCRIPCION	No. REQ. N° REQ. N° REQ.	REMARKS REMARQUES NOTAS			
1	15386 x 148	RUBBER CHANNEL - 148" LONG	2				DOORS		Optional			
2	15386 x 180	RUBBER CHANNEL - 180" LONG	1		44	15386 x 192	RUBBER CHANNEL - 192" LONG	1				
3	15388 x 168	LOCKING STRIP - 168" LONG	1		45	15388 x 192	LOCKING STRIP - 192" LONG	1				
4	15388 x 148	LOCKING STRIP - 148" LONG	2		46	48556	KNOB	1				
5	15388 x 180	LOCKING STRIP - 180" LONG	1		47	17588	INSERT	1				
6	19176 x 180	WEATHER STRIP - 180" LONG	1		48	28630	SPRING	1				
7	19784	ADJUSTING SLIDE	2		49	28574	GLASS - DOOR	1				
8	19890	KNOB	2		50	28577	LATCH - R.H.	1				
9	23017 x 168	RUBBER CHANNEL - 168" LONG	1		51	28578	LATCH - L.H.	1				
10	28804 x 18	TAPE - 18" LONG	2		52	28579	MOUNTING PLATE	1				
11	28571	GLASS - REAR	1		53	28581	HANDLE	1				
12	28573	GLASS - SIDE	2		54	28582	LEVER - L.H.	1				
13	28580	STRIKER PIN	2		55	28583	LEVER - R.H.	1				
14	28597	BLOCK - DOOR CATCH	2		56	28586	ROD	1				
15	28598	SHIM	4		57	28588	LEVER	1				
16	33280	WINDSHIELD FRAME	1		58	28630	SPRING	1				
17	33281	GLASS - WINDSHIELD	1		59	43578 x 210	WEATHER SEAL - 210" LONG	1				
18	33284	SPACER	2		60	46753	DOOR - R.H.	1				
19	36493	CAB LIFTING EYE	4	Repair Part	61	46754	DOOR - L.H.	1				
20	40543	UPPER CAB WELDED ASSEMBLY - R.O.P.S.	1		62	13A-0212	COTTER PIN	1				
21	40544	UPPER CAB WELDED ASSEMBLY - R.O.P.S. SHELL	1		63	52L-0803	MACHINE SCREW	2				
22	40549	UPPER CAB WELDED ASSEMBLY	1		64	14F-08	LOCKWASHER	2				
23	40550	UPPER CAB WELDED ASSEMBLY - SHELL	1		65	50D-0408	BOLT	4				
24	53478	JOINER	1		66	50A-0406	BOLT	3				
25	40690	GLASS - REAR - R.O.P.S.	1		67	14A-04	LOCKWASHER	4				
26	40691	GLASS - SIDE - R.O.P.S.	1		68	14C-04	FLATWASHER	1				
27	48803	UPPER COVER PLATE	1		69	36D-04	LOCKNUT	3				
28	50053	UPPER CAB WELDED ASSEMBLY - R.O.P.S. - AIR CONDITIONER	1				MIRROR INSTALLATION		Optional			
29	*57003	BOLT - R.O.P.S.	8		70	8596A	MIRROR - OUTSIDE	1				
30	*57002	LOCKNUT - R.O.P.S.	8		71	8597A	MIRROR - INSIDE - C/W ITEMS 76 & 77	1				
31	50A-0410	BOLT	4		72	28656-1	MOUNTING BAR	2				
32	14J-04	LOCKWASHER	4		73	28760-1	BRACKET	1				
33	14C-04	FLATWASHER	4		74	*57325	BRACKET	2				
34	50A-0506	BOLT	5		75	*70E-0616	SET SCREW	1				
35	14A-05	LOCKWASHER	5		76	14A-05	LOCKWASHER	5				
36	38A-0502	CAGENUT	5		77	30A-05	NUT	5				
37	50A-0608	BOLT	4		78	62A-1006	SCREW	2				
38	14A-06	LOCKWASHER	4		79	*31D-08	LOCKNUT	2				
39	14C-06	FLATWASHER	4									
40	36D-06	LOCKNUT	2									
41	50A-0810	BOLT	6									
42	14A-08	LOCKWASHER	6									
43	62A-1006	SCREW	2									

CHAMPION ROAD MACHINERY



NOVEMBER 1990

UPPER CAB

PARA LA LISTA DE LAS PIEZAS - VÉR AL VERSO

POUR LA LISTE DES PIÈCES - VOIR AU VERSO

FOR LIST OF PARTS - TURN THIS PAGE

5

ISSUE No.
N° D'ÉMISSION
N° DE EDICION

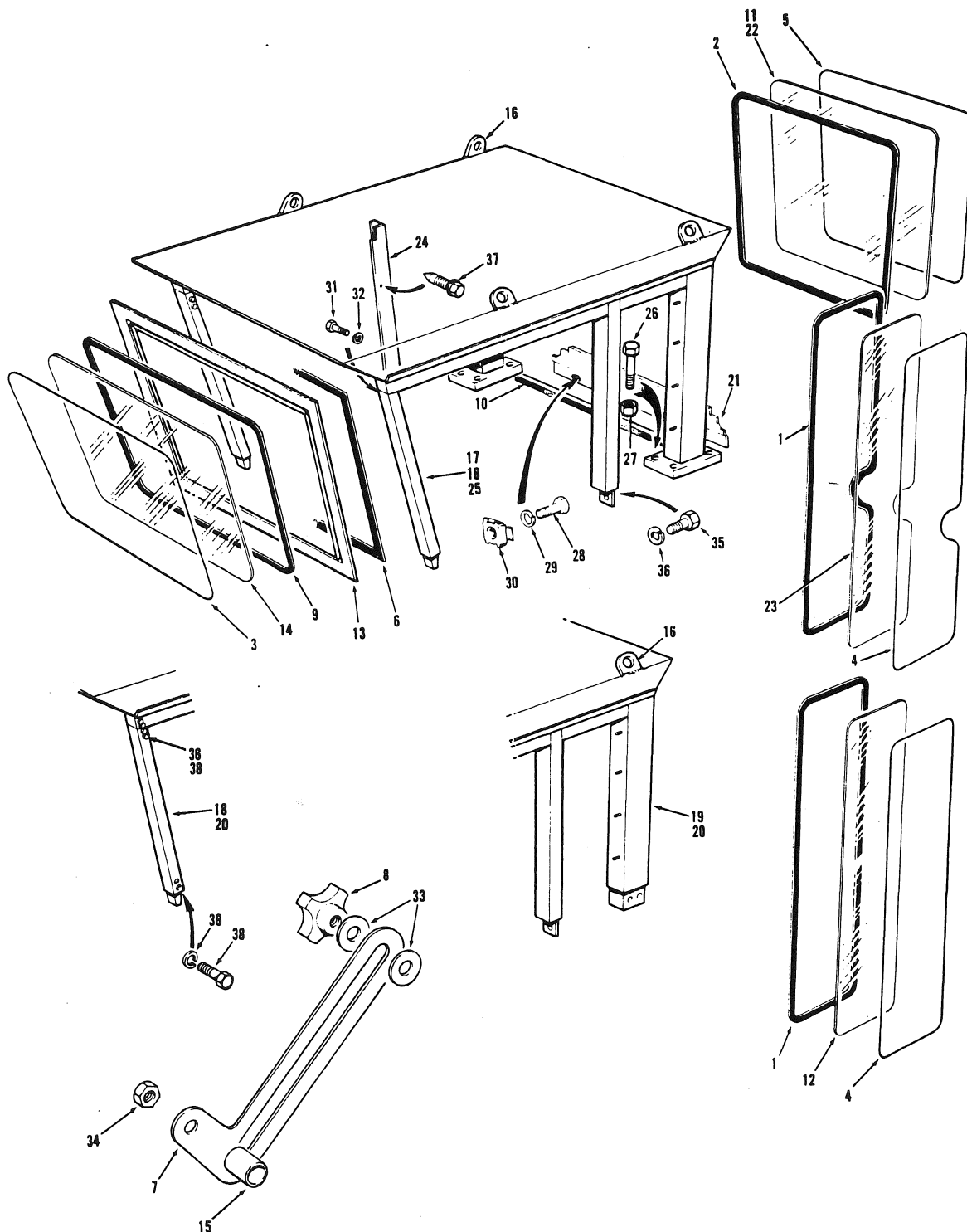
EFFECTIVE SERIAL NUMBER(S)
NUMERO(S) DE SÉRIE EFFECTIF(S)
NUMERO(S) DE SERIE EFECTIVO(S)

20893 TO 21077, 21079, 21083,
21085, 21087, 21089 TO 21091

700 SERIES
SERIE 700

SECTION 11 **PAGE 5**
SECCION 11 **PAGINA 5**

SECTION SECCION		PAGE PAGINA		ISSUE No. N° D'ÉMISSION N° DE EDICION		UPPER CAB			NOVEMBER 1990	
No. N° N°	PART No. N° DE PIÈCE N° DE PIEZA	DESCRIPTION DESCRIPTION DESCRIPCION	No. REQ. N° REQ. N° REQ.	REMARKS REMARQUES NOTAS	No. N° N°	PART No. N° DE PIECE N° DE PIEZA	DESCRIPTION DESCRIPTION DESCRIPCION	No. REQ. N° REQ. N° REQ.	REMARKS REMARQUES NOTAS	
1	15386 x 148	RUBBER CHANNEL	2							
2	15386 x 180	RUBBER CHANNEL	1							
3	15388 x 168	LOCKING STRIP	1							
4	15388 x 148	LOCKING STRIP	2							
5	15388 x 180	LOCKING STRIP	1							
6	* 57684 x 180	WEATHER STRIP	1							
7	19784	ADJUSTING SLIDE	2							
8	19890	KNOB	2							
9	23017 x 168	RUBBER CHANNEL	1							
10	28804 x 18	TAPE - 18" LONG	2							
11	28571	GLASS - REAR	1							
12	28573	GLASS - SIDE	2							
13	33280	WINDSHIELD FRAME	1							
14	33281	GLASS - WINDSHIELD	1							
15	33284	SPACER	2							
16	36493	CAB LIFTING EYE	4	Repair Part						
17	* 57189	UPPER CAB WELDED ASSEMBLY - R.O.P.S.	1							
18	* 57193	UPPER CAB WELDED ASSEMBLY - R.O.P.S. SHELL	1							
19	* 57185	UPPER CAB WELDED ASSEMBLY	1							
20	* 57220	UPPER CAB WELDED ASSEMBLY - SHELL	1							
21	53478	JOINER	1							
22	40690	GLASS - REAR - R.O.P.S.	1							
23	40691	GLASS - SIDE - R.O.P.S.	1							
24	48803	UPPER COVER PLATE	1							
25	* 57197	UPPER CAB WELDED ASSEMBLY - R.O.P.S. - AIR CONDITIONER	1							
26	57003	BOLT - R.O.P.S.	8							
27	57002	LOCKNUT - R.O.P.S.	8							
28	50A-0506	BOLT	5							
29	14A-05	LOCKWASHER	5							
30	38A-0502	CAGENUT	5							
31	50A-0608	BOLT	4							
32	14A-06	LOCKWASHER	4							
33	14C-06	FLATWASHER	4							
34	36D-06	LOCKNUT	2							
35	50A-0810	BOLT	6							
36	14A-08	LOCKWASHER	6							
37	62A-1006	SCREW	2							



ISSUE No.
N° D'ÉMISSION
N° DE EDICION

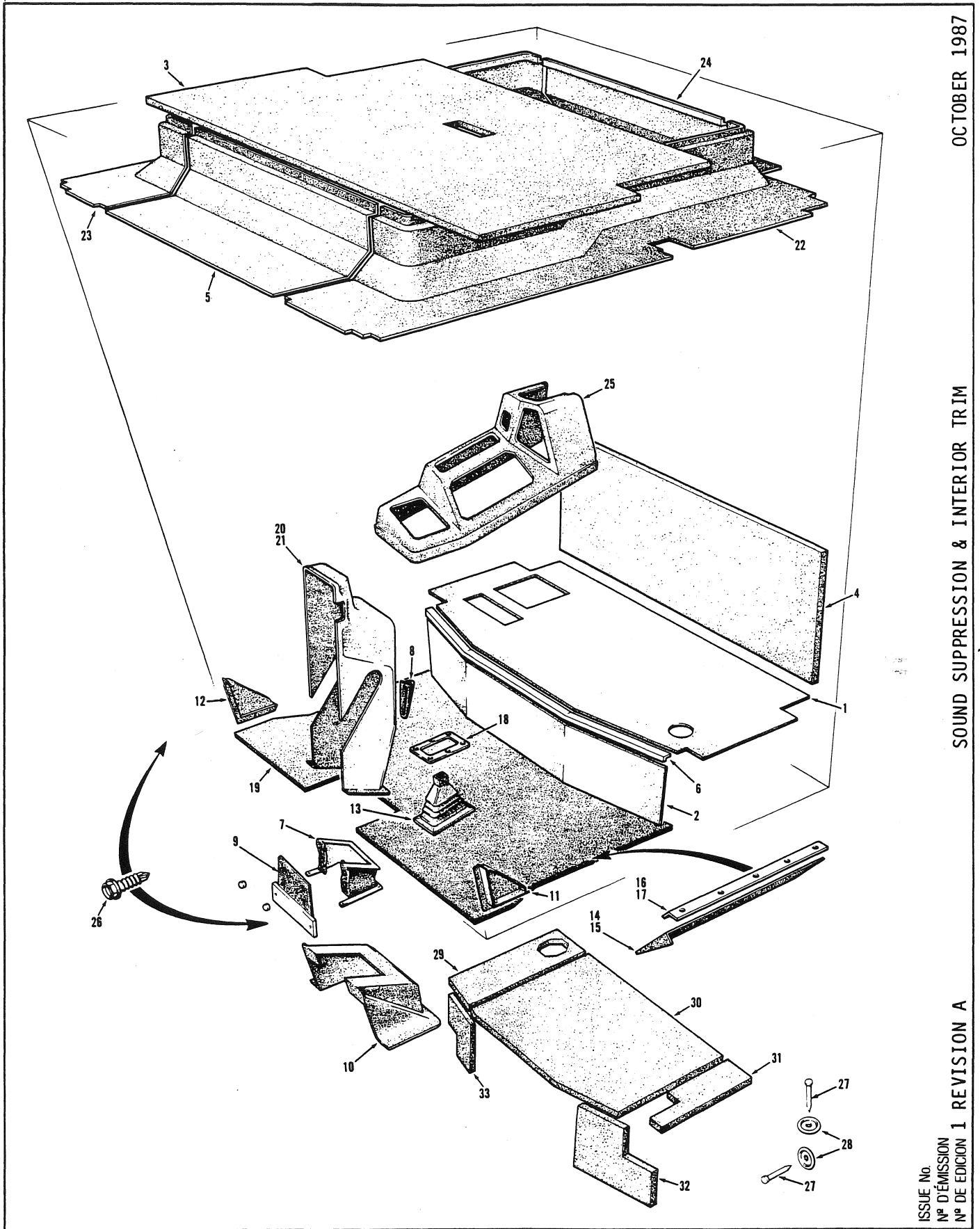
EFFECTIVE SERIAL NUMBER(S) 21078, 21080, 21082, 21084,
 NUMERO(S) DE SÉRIE EFFECTIF(S) 21086, 21088, 21092 & UP
 NUMERO(S) DE SERIE EFECTIVO(S)

700 SERIES
 SERIE 700

SECTION 11 PAGE 5
 SECCION 11 PAGINA 5

SECTION SECCION 11		PAGE PAGINA 6	ISSUE No. N° D'ÉMISSION N° DE EDICION	6 REVISION A	UPPER CAB			JULY 1991	
No. N° N°	PART No. N° DE PIÈCE N° DE PIEZA	DESCRIPTION DESCRIPTION DESCRIPCION	No. REQ N° REQ. N° REQ.	REMARKS REMARQUES NOTAS	No. N° N°	PART No. N° DE PIÈCE N° DE PIEZA	DESCRIPTION DESCRIPTION DESCRIPCION	No. REQ N° REQ. N° REQ.	REMARKS REMARQUES NOTAS
1	15386 x 148	RUBBER CHANNEL	2						
2	15386 x 180	RUBBER CHANNEL	1						
3	15388 x 168	LOCKING STRIP	1						
4	15388 x 148	LOCKING STRIP	2						
5	15388 x 180	LOCKING STRIP	1						
6	57684 x 180	WEATHER STRIP	1						
7	19784	ADJUSTING SLIDE	2						
8	19890	KNOB	2						
9	23017 x 168	RUBBER CHANNEL	1						
10	28804 x 18	TAPE - 18" LONG	2						
11	28571	GLASS - REAR	1						
12	28573	GLASS - SIDE	2						
13	33280	WINDSHIELD FRAME	1						
14	33281	GLASS - WINDSHIELD	1						
15	33284	SPACER	2						
16	36493	CAB LIFTING EYE	4	Repair Part					
17	57441	UPPER CAB WELDED ASSEMBLY - R.O.P.S.	1						
18	*65067	UPPER CAB WELDED ASSEMBLY - R.O.P.S. CANOPY	1						
19	57185	UPPER CAB WELDED ASSEMBLY	1						
20	*57966	UPPER CAB WELDED ASSEMBLY - CANOPY	1						
21	53478	JOINER	1						
22	40690	GLASS - REAR - R.O.P.S.	1						
23	40691	GLASS - SIDE - R.O.P.S.	1						
24	57519	UPPER COVER PLATE	1						
25	57445	UPPER CAB WELDED ASSEMBLY - R.O.P.S. - AIR CONDITIONER	1						
26	57003	BOLT - R.O.P.S.	8						
27	57002	LOCKNUT - R.O.P.S.	8						
28	50A-0506	BOLT	5						
29	14A-05	LOCKWASHER	5						
30	38A-0502	CAGENUT	5						
31	50A-0608	BOLT	4						
32	14A-06	LOCKWASHER	4						
33	14C-06	FLATWASHER	4						
34	36D-06	LOCKNUT	2						
35	50A-0810	BOLT	6						
36	14A-08	LOCKWASHER	18						
37	62A-1006	SCREW	2						
38	*50A-0808	BOLT - CANOPY	12						

CHAMPION ROAD MACHINERY



OCTOBER 1987

SOUND SUPPRESSION & INTERIOR TRIM

PARA LA LISTA DE LAS PIEZAS - VFR AL VERSO

POUR LA LISTE DES PIÈCES - VOIR AU VERSO

FOR LIST OF PARTS - TURN THIS PAGE

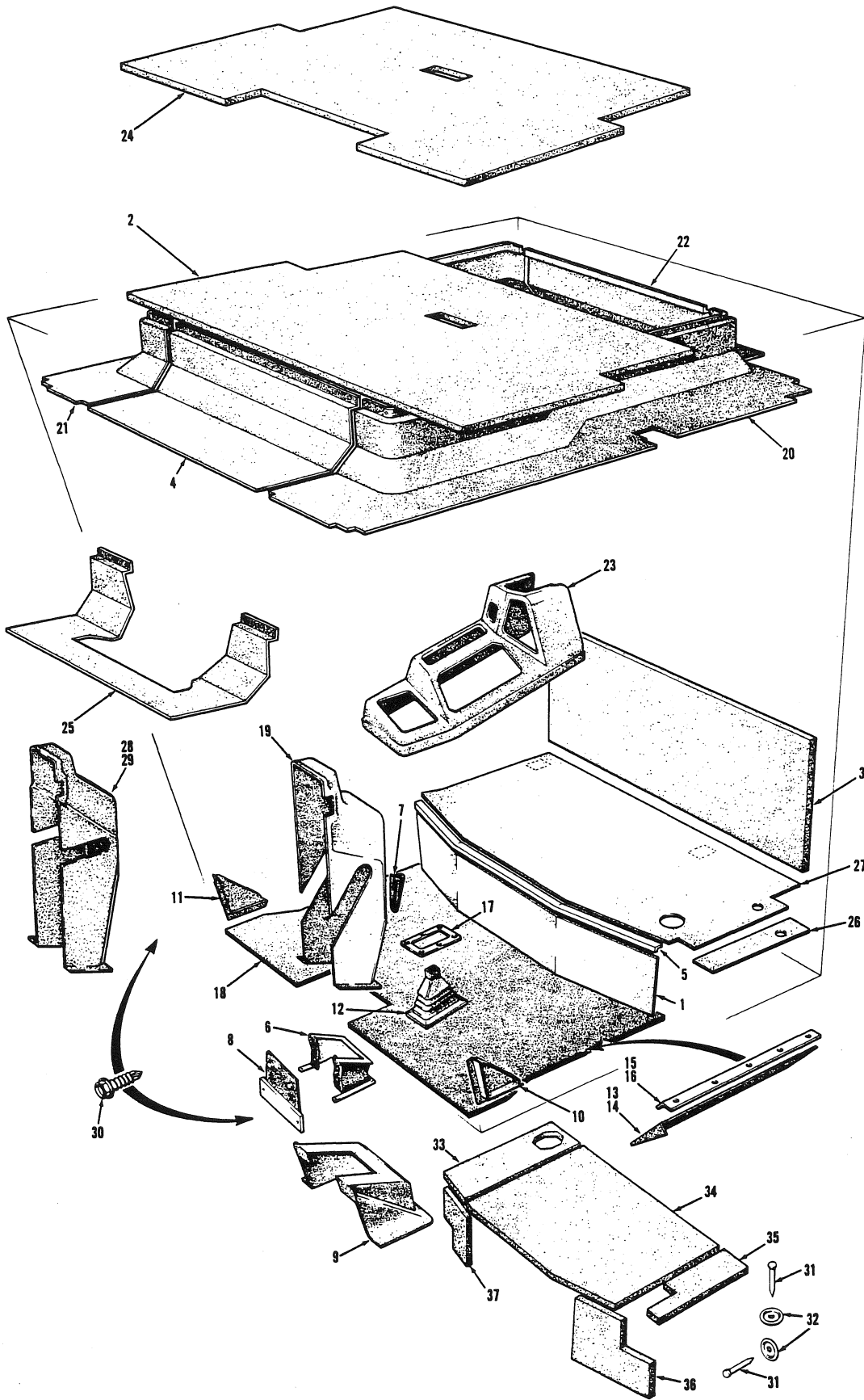
ISSUE No.
N° D'ÉMISSION
N° DE EDICION 1 REVISION A

EFFECTIVE SERIAL NUMBER(S) 16224, 16245 TO 16562
 NUMERO(S) DE SÉRIE EFFECTIF(S)
 NUMERO(S) DE SERIE EFECTIVO(S)
 U.S. 2021-2 TO 2246-2

700 SERIES
 SERIE 700

SECTION 11 PAGE 7
 SECCION 11 PAGINA 7

SECTION SECCION		PAGE PAGINA		ISSUE No. N° D'ÉMISSION N° DE EDICION		1 REVISION A			SOUND SUPPRESSION & INTERIOR TRIM			OCTOBER 1987	
No. N° N°	PART No. N° DE PIÉCE N° DE PIEZA	DESCRIPTION DESCRIPTION DESCRIPCION	No. REQ. N° REQ. N° REQ.	REMARKS REMARQUES NOTAS	No. N° N°	PART No. N° DE PIÉCE N° DE PIEZA	DESCRIPTION DESCRIPTION DESCRIPCION	No. REQ. N° REQ. N° REQ.	REMARKS REMARQUES NOTAS				
1	28671	SEAT DECK MAT	1										
2	28672	SEAT DECK RISER	1										
3	28673	SOUND SUPPRESSION - CEILING	1										
4	28674	SOUND SUPPRESSION - CAB REAR	1										
5	28676	HEADLINER - FRONT	1										
6	28736	GUARD - SEAT DECK RISER	1										
7	28794	PEDESTAL BOOT ASSY.	1										
8	28915	COVER - HAND THROTTLE	1										
9	*28966	COVER - LOWER PEDESTAL FRONT	1										
10	28969	COVER - LOWER PEDESTAL	1										
11	28970	COVER - DOOR LINKAGE - L.H.	1										
12	28971	COVER - DOOR LINKAGE - R.H.	1										
13	33186	BOOT - BRAKE & CLUTCH PEDAL	2										
14	33229	TREADWAY COVER - L.H.	1										
15	33230	TREADWAY COVER - R.H.	1										
16	33231	DOOR SILL CAP - L.H.	1										
17	33232	DOOR SILL CAP - R.H.	1										
18	33602	MOUNTING FLANGE - BOOT	2										
19	33956	FLOOR MAT	1										
20	40129	COVER - PEDESTAL	1	710A, 720A, 730A & 740A									
21	40130	COVER - PEDESTAL	1	710, 720, 730, 740 & 760									
22	40696	HEADLINER - L.H.	1										
23	40697	HEADLINER - R.H.	1										
24	40698	HEADLINER - REAR	1										
25	40906	CONSOLE - INSTRUMENT	1										
26	62A-1006	SCREW	40										
		<u>SOUND SUPPRESSION - UNDER SEAT DECK</u>											
27	*32357	PIN	36										
28	32358	CLIP	36										
29	41296	SOUND SUPPRESSION - SEAT DECK - R.H.	1										
30	41297	SOUND SUPPRESSION - CENTRE SEAT DECK	1										
31	41298	SOUND SUPPRESSION - SEAT DECK - L.H.	1										
32	41299	SOUND SUPPRESSION - SEAT DECK RISER - L.H.	1										
33	41300	SOUND SUPPRESSION - SEAT DECK RISER - R.H.	1										



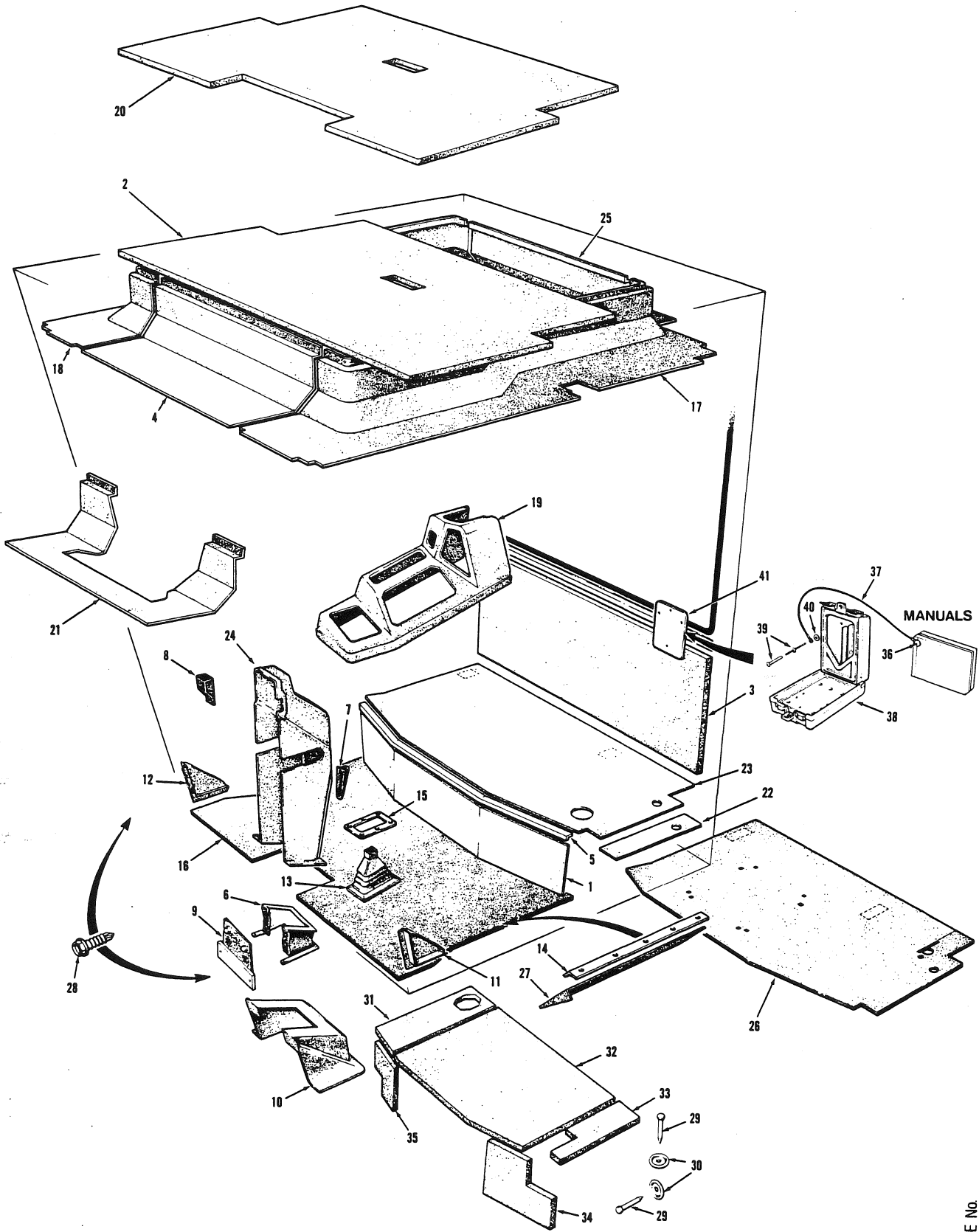
EFFECTIVE SERIAL NUMBER(S) 16536 & UP
 NUMERO(S) DE SÉRIE EFFECTIF(S)
 NUMERO(S) DE SERIE EFECTIVO(S)
 U.S. 2247-2 & UP

700 SERIES
 SERIE 700

SECTION 11 PAGE 7
 SECCION 11 PAGINA 7

SECTION SECCION		PAGE PAGINA		ISSUE No. N° D'ÉMISSION N° DE EDICION		SOUND SUPPRESSION & INTERIOR TRIM			JANUARY 1989	
No. N° N°	PART No. N° DE PIÈCE N° DE PIEZA	DESCRIPTION DÉSCRIPTION DESCRIPCION	No. REQ. N° REQ. N° REQ.	REMARKS REMARQUES NOTAS	No. N° N°	PART No. N° DE PIECE N° DE PIEZA	DESCRIPTION DÉSCRIPTION DESCRIPCION	No. REQ. N° REQ. N° REQ.	REMARKS REMARQUES NOTAS	
1	28672	SEAT DECK RISER	1							
2	28673	SOUND SUPPRESSION - CEILING	1							
3	28674	SOUND SUPPRESSION - CAB REAR	1							
4	28676	HEADLINER - FRONT	1							
5	28736	GUARD - SEAT DECK RISER	1							
6	28794	PEDESTAL BOOT ASSY.	1							
7	28915	COVER - HAND THROTTLE	1							
8	28966	COVER - LOWER PEDESTAL FRONT	1							
9	28969	COVER - LOWER PEDESTAL	1							
10	28970	COVER - DOOR LINKAGE - L.H.	1							
11	28971	COVER - DOOR LINKAGE - R.H.	1							
12	33186	BOOT - BRAKE & CLUTCH PEDAL	2							
13	33229	TREADWAY COVER - L.H.	1							
14	33230	TREADWAY COVER - R.H.	1							
15	33231	DOOR SILL CAP - L.H.	1							
16	33232	DOOR SILL CAP - R.H.	1							
17	33602	MOUNTING FLANGE - BOOT	2							
18	33956	FLOOR MAT	1							
19	40130	COVER - PEDESTAL	1	UP TO S/N 18712,18714 18718						
20	40696	HEADLINER - L.H.	1							
21	40697	HEADLINER - R.H.	1							
22	40698	HEADLINER - REAR	1							
23	40906	CONSOLE - INSTRUMENT	1							
24	41314	SOUND SUPPRESSION - AIR CONDITIONER	1	OPTION						
25	41316	HEADLINER - FRONT - AIR CONDITIONER	1	OPTION						
26	42433	SOUND SUPPRESSION - SEAT DECK	1							
27	*46555	SOUND SUPPRESSION - SEAT DECK	1							
28	48128	COVER - PEDESTAL	1	S/N 18713, 18715,18716 18717,18719 TO 19291						
29	*49467	COVER - PEDESTAL	1	S/N 19292 & UP						
30	62A-1006	SCREW	40							
		<u>SOUND SUPPRESSION - UNDER SEAT DECK</u>								
31	32357	PIN	36							
32	32358	CLIP	36							
33	41296	SOUND SUPPRESSION - SEAT DECK - R.H.	1							
34	41297	SOUND SUPPRESSION - CENTRE SEAT DECK	1							
35	41298	SOUND SUPPRESSION - SEAT DECK - L.H.	1							
36	41299	SOUND SUPPRESSION - SEAT DECK RISER - L.H.	1							
37	41300	SOUND SUPPRESSION - SEAT DECK RISER - R.H.	1							

CHAMPION ROAD MACHINERY



FEBRUARY 1990

SOUND SUPPRESSION, INTERIOR TRIM & MANUALS BOX

FOR LIST OF PARTS - TURN THIS PAGE
 POUR LA LISTE DES PIÈCES - VOIR AU VERSO
 PARA LA LISTA DE LAS PIEZAS - VER AL VERSO

ISSUE No
 N° D'ÉMISSION
 N° DE EDICION 3

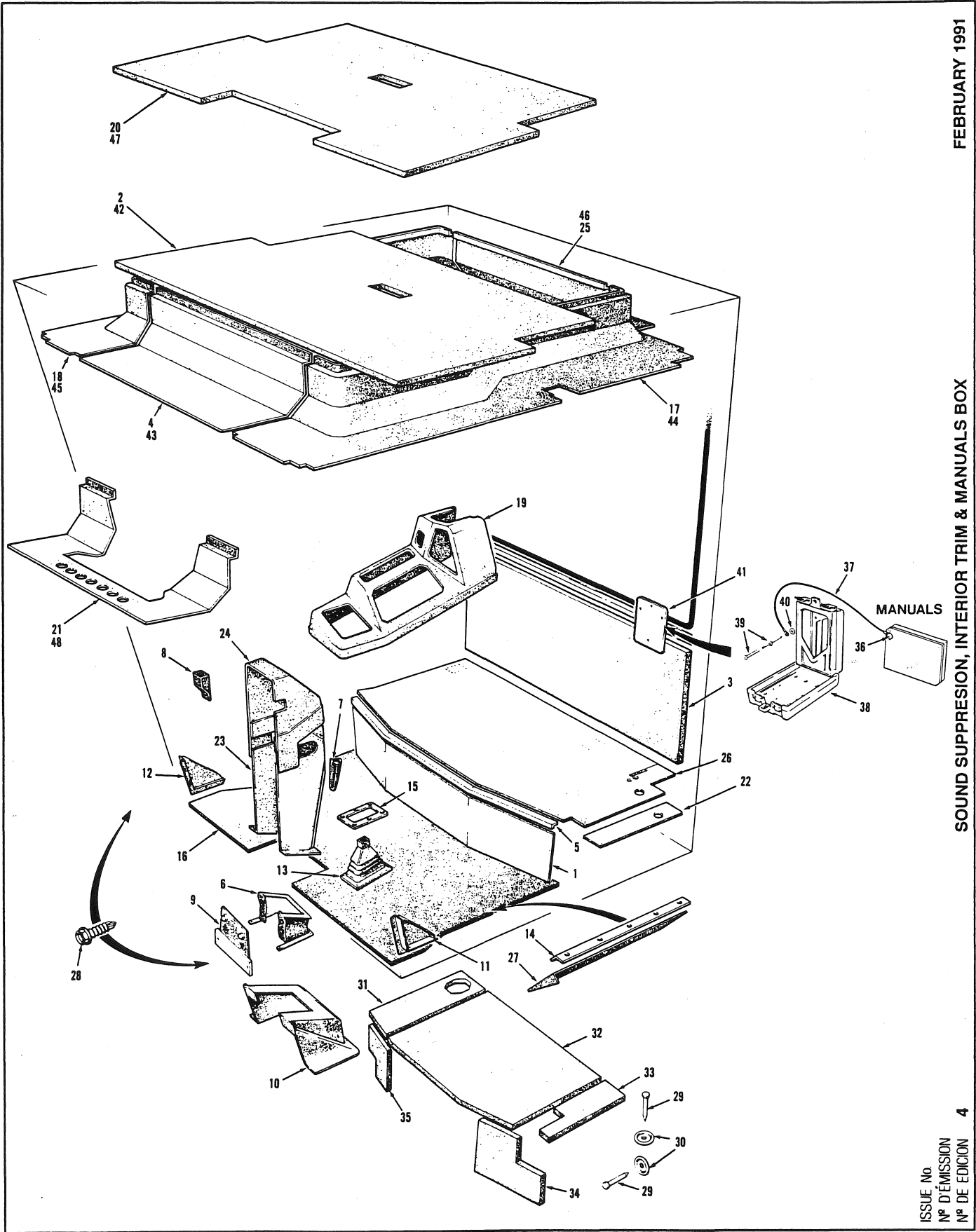
EFFECTIVE SERIAL NUMBER(S) 19850, 19855 to 19857,
 NUMERO(S) DE SÉRIE EFFECTIF(S) 19859 & UP
 NUMERO(S) DE SERIE EFECTIVO(S)

700 SERIES
 SERIE 700

SECTION 11 PAGE 7
 SECCION 11 PAGINA 7

SECTION SECCION		11	PAGE PAGINA	8	ISSUE No. N° D'ÉMISSION N° DE EDICION	3	SOUND SUPPRESSION, INTERIOR TRIM & MANUALS BOX			FEBRUARY 1990
No. N° N°	PART No. N° DE PIÈCE N° DE PIEZA	DESCRIPTION DÉSCRIPTION DESCRIPCION	No. REQ. N° REQ. N° REQ.	REMARKS REMARQUES NOTAS	No. N° N°	PART No. N° DE PIECE N° DE PIEZA	DESCRIPTION DÉSCRIPTION DESCRIPCION	No. REQ. N° REQ. N° REQ.	REMARKS REMARQUES NOTAS	
1	28672	SEAT DECK RISER	1				MANUALS BOX INSTALLATION			
2	28673	SOUND SUPPRESSION - CEILING	1		36	*52004	FASTENER	1		
3	28674	SOUND SUPPRESSION - CAB REAR	1		37	*52006	LANYARD	1		
4	28676	HEAD LINER - FRONT	1		38	*53064	MANUAL BOX	1		
5	28736	GUARD - SEAT DECK RISER	1		39	*77C-066	RIVET	4		
6	28794	PEDESTAL BOOT ASSEMBLY	1		40	*14E-0421	WASHER	4		
7	28915	COVER - HAND THROTTLE	1		41	*51995	MOUNTING PLATE	1	REPAIR PART	
8	*28962	COVER - ARTIC SWITCH	1							
9	28966	COVER - LOWER PEDESTAL - FRONT	1							
10	28969	COVER - LOWER PEDESTAL	1							
11	28970	COVER - DOOR LINKAGE - L.H.	1							
12	28971	COVER - DOOR LINKAGE - R.H.	1							
13	33186	BOOT - BRAKE & CLUTCH PEDAL	2							
14	33231	DOOR SILL CAP	2							
15	33602	MOUNTING FLANGE - BOOT	2							
16	33956	FLOOR MAT	1							
17	40696	HEADLINER - L.H.	1							
18	40697	HEADLINER - R.H.	1							
19	40906	CONSOLE - INSTRUMENT	1							
20	41314	SOUND SUPPRESSION - AIR CONDITIONER	1	OPTIONAL						
21	41316	HEADLINER - FRONT - AIR CONDITIONER	1	OPTIONAL						
22	42433	SOUND SUPPRESSION - SEAT DECK	1							
23	46555	SOUND SUPPRESSION - SEAT DECK	1	UP TO S/N 20076						
24	49467	COVER - PEDESTAL	1							
25	*51128	HEADLINER - REAR	1							
26	*53537	SOUND SUPPRESSION - SEAT DECK	1	S/N 20077 & UP						
27	*54224	TREADWAY COVER	2							
28	62A-1006	SCREW	40							
		SOUND SUPPRESSION - UNDER SEAT DECK								
28	32357	PIN	36							
30	32358	CLIP	36							
31	41296	SOUND SUPPRESSION - SEAT DECK - R.H.	1							
32	41297	SOUND SUPPRESSION - CENTRE SEAT DECK	1							
33	41298	SOUND SUPPRESSION - SEAT DECK - L.H.	1							
34	41299	SOUND SUPPRESSION - SEAT DECK RISER - L.H.	1							
35	41300	SOUND SUPPRESSION - SEAT DECK RISER - R.H.	1							

CHAMPION ROAD MACHINERY



FEBRUARY 1991

SOUND SUPPRESSION, INTERIOR TRIM & MANUALS BOX

PARA LA LISTA DE LAS PIEZAS - VER AL VERSO

POUR LA LISTE DES PIÈCES - VOIR AU VERSO

FOR LIST OF PARTS - TURN THIS PAGE

4

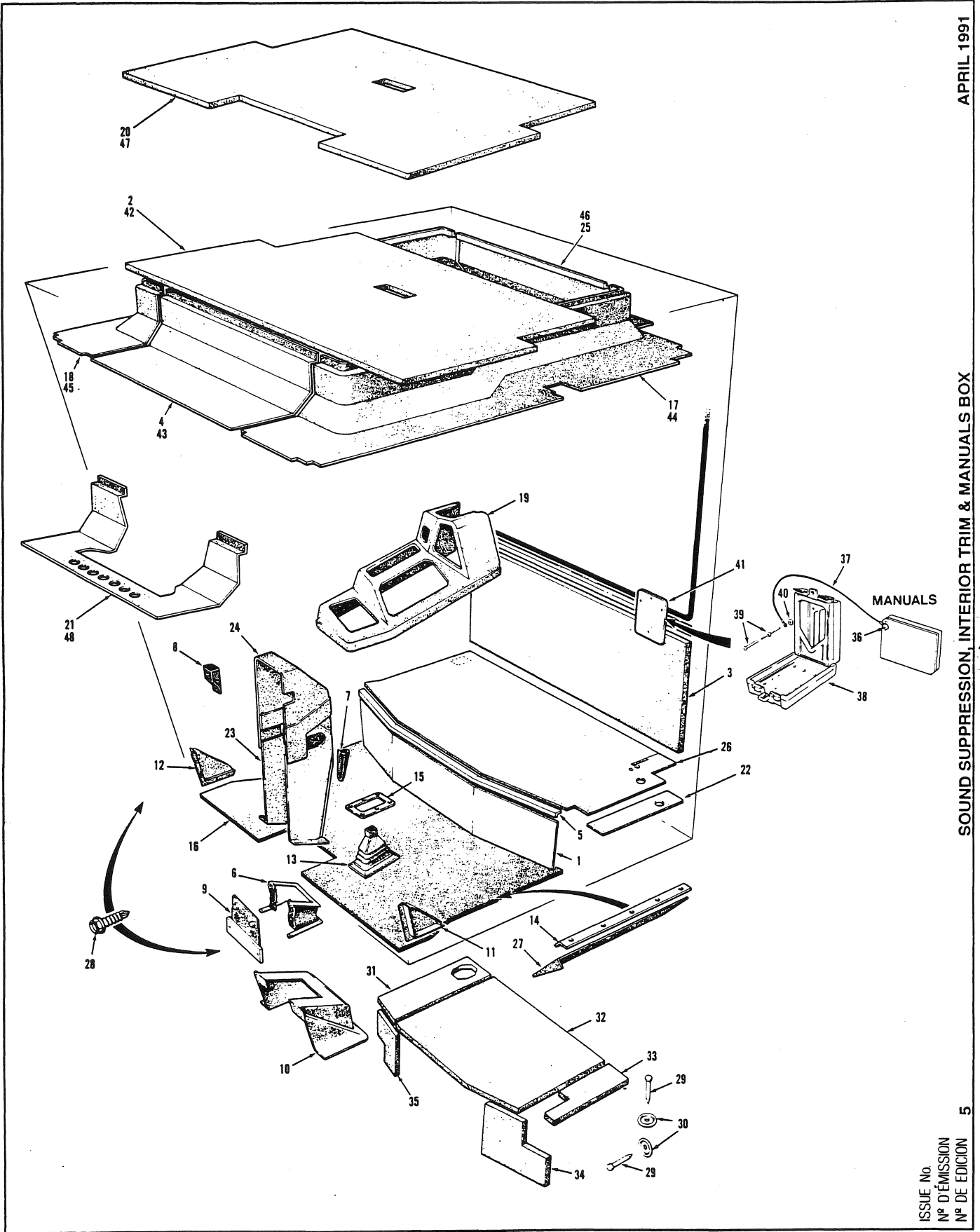
ISSUE No.
N° D'ÉMISSION
N° DE EDICION

EFFECTIVE SERIAL NUMBER(S) 21078, 21080, 21082, 21084,
 NUMERO(S) DE SÉRIE EFFECTIF(S) 21086, 21092 & UP
 NUMERO(S) DE SERIE EFECTIVO(S)

700 SERIES
SERIE 700

SECTION 11 PAGE
SECCION 11 PAGINA 7

SECTION SECCION		PAGE PAGINA		ISSUE No. N° D'ÉMISSION N° DE EDICION		SOUND SUPPRESSION, INTERIOR TRIM & MANUALS BOX			FEBRUARY 1991	
No. N° N°	PART No. N° DE PIÈCE N° DE PIEZA	DESCRIPTION DESCRIPTION DESCRIPCION	No. REQ. N° REQ. N° REQ.	REMARKS REMARQUES NOTAS	No. N° N°	PART No. N° DE PIECE N° DE PIEZA	DESCRIPTION DESCRIPTION DESCRIPCION	No. REQ. N° REQ. N° REQ.	REMARKS REMARQUES NOTAS	
1	28672	SEAT DECK RISER	1				MANUALS BOX INSTALLATION			
2	28673	SOUND SUPPRESSION - CEILING	1		36	52004	FASTENER	1		
3	28674	SOUND SUPPRESSION - CAB REAR	1		37	52006	LANYARD	1		
4	*57359	HEAD LINER - FRONT	1		38	53064	MANUAL BOX	1		
5	28736	GUARD - SEAT DECK RISER	1		39	77C-066	RIVET	4		
6	28794	PEDESTAL BOOT ASSEMBLY	1		40	14E-0421	WASHER	4		
7	28915	COVER - HAND THROTTLE	1		41	51995	MOUNTING PLATE	1	Repair Part	
8	28962	COVER - ARTIC SWITCH	1							
9	28966	COVER - LOWER PEDESTAL - FRONT	1				LOW PROFILE CAB			
10	28969	COVER - LOWER PEDESTAL	1		42	*57367	SOUND SUPPRESSION - CEILING	1		
11	28970	COVER - DOOR LINKAGE - L.H.	1		43	*57368	HEADLINER - FRONT	1		
12	28971	COVER - DOOR LINKAGE - R.H.	1		44	*57369	HEADLINER - L.H.	1		
13	33186	BOOT - BRAKE PEDAL	1		45	*57370	HEADLINER - R.H.	1		
14	33231	DOOR SILL CAP	2		46	*57371	HEADLINER - REAR	1		
15	33602	MOUNTING FLANGE - BOOT	2		47	*57415	SOUND SUPPRESSION - AIR CONDITIONER	1	OPTIONAL	
16	*54949	FLOOR MAT	1		48	*57409	HEADLINER - FRONT - AIR CONDITIONER	1	OPTIONAL	
17	40696	HEADLINER - L.H.	1							
18	40697	HEADLINER - R.H.	1							
19	40906	CONSOLE - INSTRUMENT	1							
20	41314	SOUND SUPPRESSION - AIR CONDITIONER	1	OPTIONAL						
21	*57358	HEADLINER - FRONT - AIR CONDITIONER	1	OPTIONAL						
22	42433	SOUND SUPPRESSION - SEAT DECK	1							
23	*57407	COVER - PEDESTAL - LOWER	1							
24	*57408	COVER - PEDESTAL - UPPER	1							
25	51128	HEADLINER - REAR	1							
26	53537	SOUND SUPPRESSION - SEAT DECK	1							
27	54224	TREADWAY COVER	2							
28	62A-1006	SCREW	40							
		SOUND SUPPRESSION - UNDER SEAT DECK								
28	32357	PIN	23							
30	32358	CLIP	23							
31	*57298	SOUND SUPPRESSION - SEAT DECK - R.H.	1							
32	*57299	SOUND SUPPRESSION - CENTRE SEAT DECK	1							
33	*57301	SOUND SUPPRESSION - SEAT DECK - L.H.	1							
34	41299	SOUND SUPPRESSION - SEAT DECK RISER - L.H.	1							
35	41300	SOUND SUPPRESSION - SEAT DECK RISER - R.H.	1							

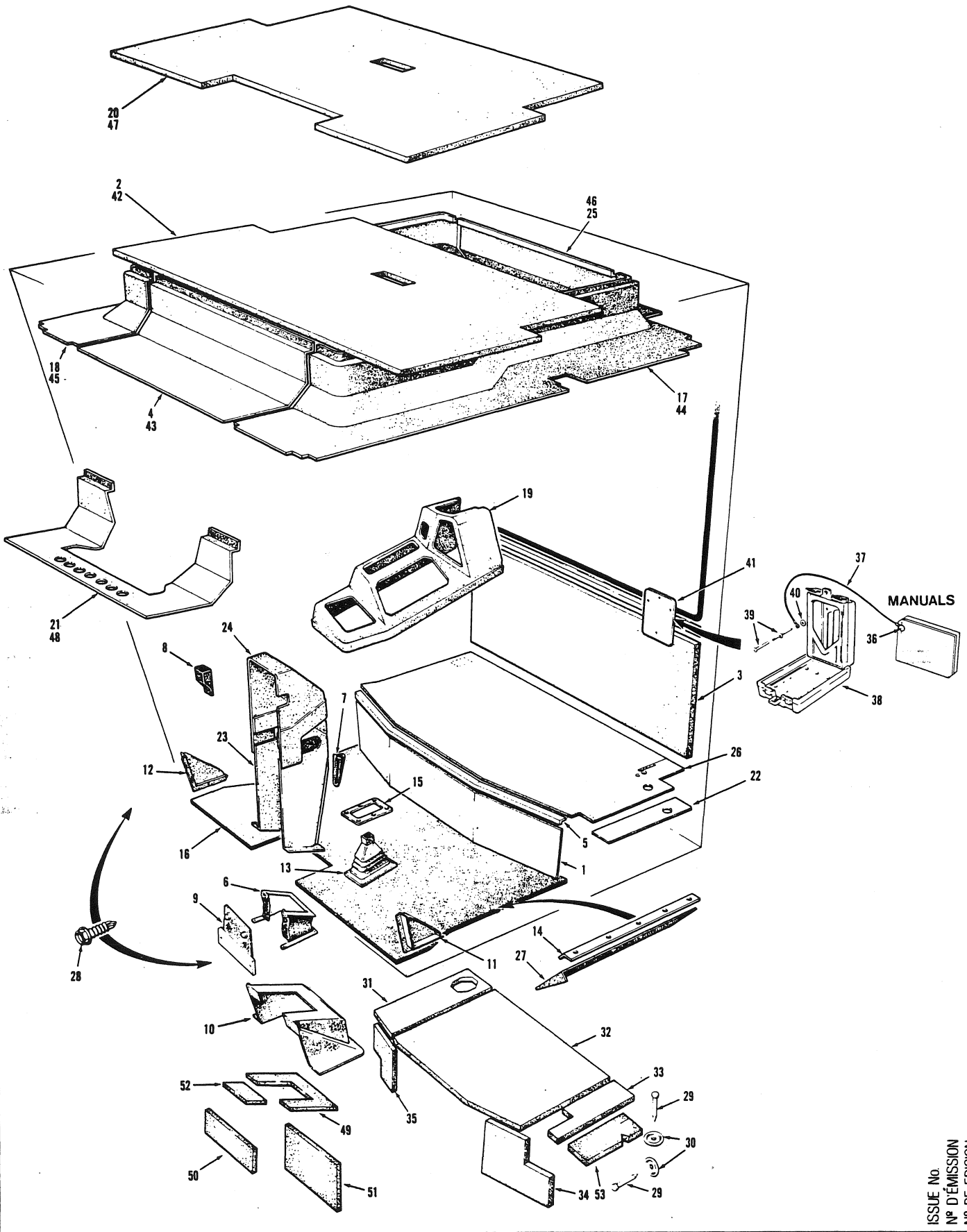


EFFECTIVE SERIAL NUMBER(S) 21450 to 21484, 21487, 21488,
 NUMERO(S) DE SÉRIE EFFECTIF(S) 21490 to 21492 & 21494
 NUMERO(S) DE SERIE EFECTIVO(S)

700 SERIES
SERIE 700

SECTION 11 **PAGE 7**
SECCION 11 **PAGINA 7**

SECTION 11		PAGE 8	ISSUE No. 5	SOUND SUPPRESSION, INTERIOR TRIM & MANUALS BOX				APRIL 1991	
SECCION 11		PAGINA 8	ISSUE No. 5	SOUND SUPPRESSION, INTERIOR TRIM & MANUALS BOX				APRIL 1991	
No. N° N°	PART No. N° DE PIÈCE N° DE PIEZA	DESCRIPTION DÉSCRIPTION DESCRIPCION	No. REQ. N° REQ. N° REQ.	REMARKS REMARQUES NOTAS	No. N° N°	PART No. N° DE PIECE N° DE PIEZA	DESCRIPTION DÉSCRIPTION DESCRIPCION	No. REQ. N° REQ. N° REQ.	REMARKS REMARQUES NOTAS
1	28672	SEAT DECK RISER	1				MANUALS BOX INSTALLATION		
2	28673	SOUND SUPPRESSION - CEILING	1		36	52004	FASTENER	1	
3	28674	SOUND SUPPRESSION - CAB REAR	1		37	52006	LANYARD	1	
4	57359	HEAD LINER - FRONT	1		38	53064	MANUAL BOX	1	
5	28738	GUARD - SEAT DECK RISER	1		39	77C-066	RIVET	4	
6	28794	PEDESTAL BOOT ASSEMBLY	1		40	14E-0421	WASHER	4	
7	28915	COVER - HAND THROTTLE	1		41	51995	MOUNTING PLATE	1	Repair Part
8	28962	COVER - ARTIC SWITCH	1						
9	28968	COVER - LOWER PEDESTAL - FRONT	1				LOW PROFILE CAB		
10	28969	COVER - LOWER PEDESTAL	1		42	57367	SOUND SUPPRESSION - CEILING	1	
11	28970	COVER - DOOR LINKAGE - L.H.	1		43	57368	HEADLINER - FRONT	1	
12	28971	COVER - DOOR LINKAGE - R.H.	1		44	57369	HEADLINER - L.H.	1	
13	33186	BOOT - BRAKE PEDAL	1		45	57370	HEADLINER - R.H.	1	
14	33231	DOOR SILL CAP	2		46	57371	HEADLINER - REAR	1	
15	33602	MOUNTING FLANGE - BOOT	2		47	57415	SOUND SUPPRESSION - AIR CONDITIONER	1	OPTIONAL
16	54949	FLOOR MAT	1		48	57409	HEADLINER - FRONT - AIR CONDITIONER	1	OPTIONAL
17	40698	HEADLINER - L.H.	1						
18	40697	HEADLINER - R.H.	1						
19	40906	CONSOLE	1						
	*57985	CONSOLE - TRANSMISSION GAUGE PACKAGE	1						
20	41314	SOUND SUPPRESSION - AIR CONDITIONER	1	OPTIONAL					
21	57358	HEADLINER - FRONT - AIR CONDITIONER	1	OPTIONAL					
22	42433	SOUND SUPPRESSION - SEAT DECK	1						
23	57407	COVER - PEDESTAL - LOWER	1						
24	57408	COVER - PEDESTAL - UPPER	1						
25	51128	HEADLINER - REAR	1						
26	53537	SOUND SUPPRESSION - SEAT DECK	1						
27	54224	TREADWAY COVER	2						
28	62A-1006	SCREW	40						
		SOUND SUPPRESSION - UNDER SEAT DECK							
29	32357	PIN	23						
30	32358	CLIP	23						
31	57298	SOUND SUPPRESSION - SEAT DECK - R.H.	1						
32	57299	SOUND SUPPRESSION - CENTRE SEAT DECK	1						
33	57301	SOUND SUPPRESSION - SEAT DECK - L.H.	1						
34	41299	SOUND SUPPRESSION - SEAT DECK RISER - L.H.	1						
35	41300	SOUND SUPPRESSION - SEAT DECK RISER - R.H.	1						



ISSUE No.
N° D'ÉMISSION
N° DE EDICION

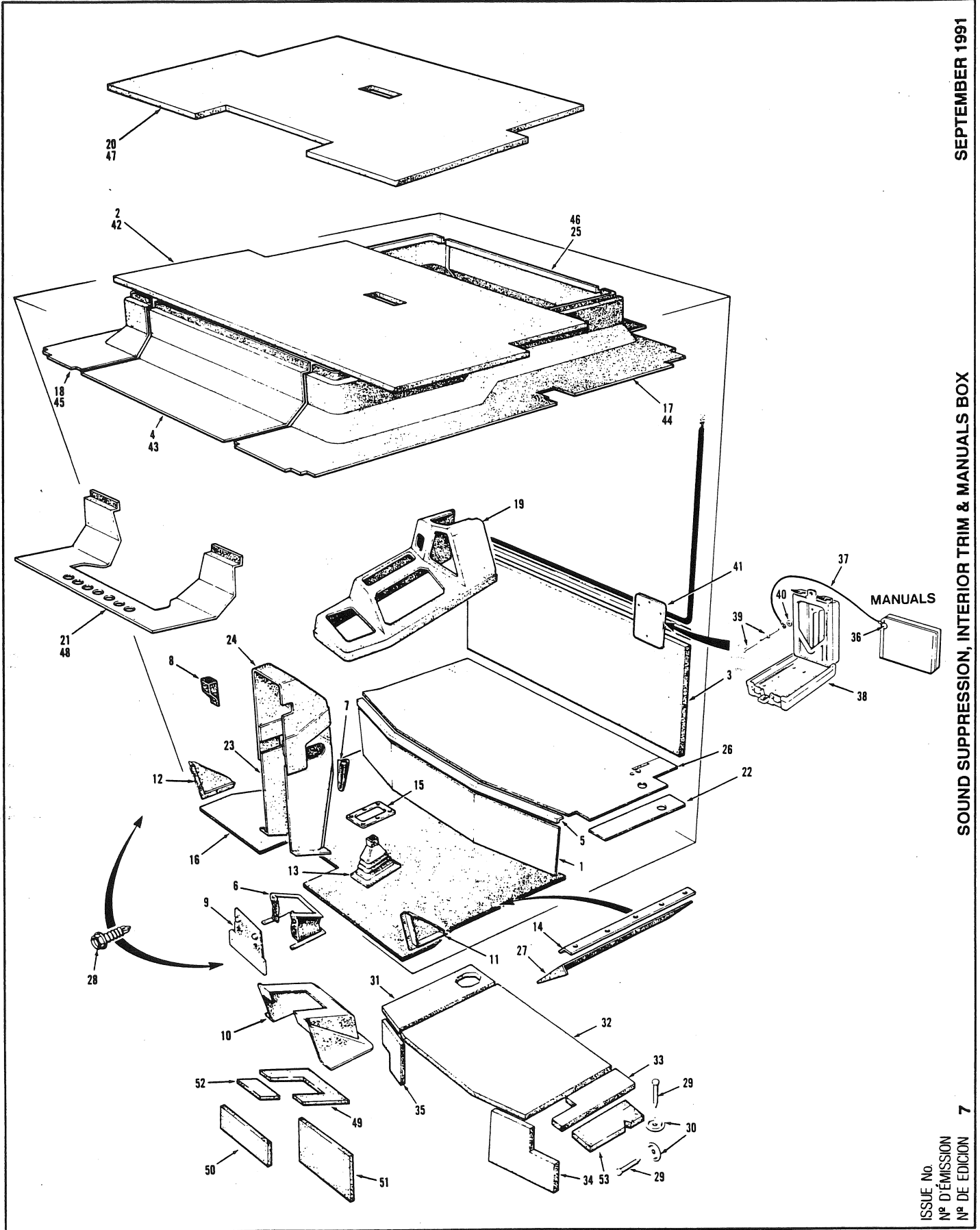
EFFECTIVE SERIAL NUMBER(S) 21485, 21486, 21489, 21493,
 NUMERO(S) DE SÉRIE EFFECTIF(S) 21495 to 21646
 NUMERO(S) DE SERIE EFECTIVO(S)

700 SERIES
SERIE 700

SECTION 11 PAGE 7
SECCION 11 PAGINA 7

SECTION 11		PAGE 8		ISSUE No. 6		SOUND SUPPRESSION, INTERIOR TRIM & MANUALS BOX			APRIL 1991	
No. N°	PART No. N° DE PIÈCE N° DE PIEZA	DESCRIPTION DÉSCRIPTION DESCRIPCION	No. REQ. N° REQ. N° REQ.	REMARKS REMARQUES NOTAS	No. N°	PART No. N° DE PIÈCE N° DE PIEZA	DESCRIPTION DÉSCRIPTION DESCRIPCION	No. REQ. N° REQ. N° REQ.	REMARKS REMARQUES NOTAS	
1	28672	SEAT DECK RISER	1							
2	28673	SOUND SUPPRESSION - CEILING	1							
3	28674	SOUND SUPPRESSION - CAB REAR	1							
4	57359	HEAD LINER - FRONT	1		36	52004	MANUALS BOX INSTALLATION FASTENER	1		
5	28736	GUARD - SEAT DECK RISER	1		37	52006	LANYARD	1		
6	28794	PEDESTAL BOOT ASSEMBLY	1		38	53064	MANUAL BOX	1		
7	28915	COVER - HAND THROTTLE	1		39	77C-066	RIVET	4		
8	28962	COVER - ARTIC SWITCH	1		40	14E-0421	WASHER	4		
9	28966	COVER - LOWER PEDESTAL - FRONT	1		41	51995	MOUNTING PLATE	1	Repair Part	
10	28969	COVER - LOWER PEDESTAL	1				LOW PROFILE CAB			
11	28970	COVER - DOOR LINKAGE - L.H.	1		42	57367	SOUND SUPPRESSION - CEILING	1		
12	28971	COVER - DOOR LINKAGE - R.H.	1		43	57368	HEADLINER - FRONT	1		
13	33186	BOOT - BRAKE PEDAL	1		44	57369	HEADLINER - L.H.	1		
14	33231	DOOR SILL CAP	2		45	57370	HEADLINER - R.H.	1		
15	33602	MOUNTING FLANGE - BOOT	2		46	57371	HEADLINER - REAR	1		
16	54949	FLOOR MAT	1		47	57415	SOUND SUPPRESSION - AIR CONDITIONER	1	OPTIONAL	
17	40696	HEADLINER - L.H.	1		48	57409	HEADLINER - FRONT - AIR CONDITIONER	1	OPTIONAL	
18	40697	HEADLINER - R.H.	1				PEDESTAL & HANDBRAKE SOUND SUPPRESSION			
19	40906	CONSOLE	1							
	57985	CONSOLE - TRANSMISSION GAUGE PACKAGE	1		49	*57806	SOUND SUPPRESSION - PEDESTAL	1		
20	41314	SOUND SUPPRESSION - AIR CONDITIONER	1	OPTIONAL	50	*57807	SOUND SUPPRESSION - PEDESTAL	1		
21	57358	HEADLINER - FRONT - AIR CONDITIONER	1	OPTIONAL	51	*57808	SOUND SUPPRESSION - PEDESTAL	1		
22	42433	SOUND SUPPRESSION - SEAT DECK	1		52	*57834	SOUND SUPPRESSION - PEDESTAL	1		
					53	*57819	SOUND SUPPRESSION - HANDBRAKE	1		
23	57407	COVER - PEDESTAL - LOWER	1							
24	*57733	COVER - PEDESTAL - UPPER	1							
25	51128	HEADLINER - REAR	1							
26	53537	SOUND SUPPRESSION - SEAT DECK	1							
27	54224	TREADWAY COVER	2							
28	62A-1006	SCREW	40							
		SOUND SUPPRESSION - UNDER SEAT DECK								
29	32357	PIN	20							
	*65063	PIN	5							
30	32358	CLIP	25							
31	57298	SOUND SUPPRESSION - SEAT DECK - R.H.	1							
32	57299	SOUND SUPPRESSION - CENTRE SEAT DECK	1							
33	57301	SOUND SUPPRESSION - SEAT DECK - L.H.	1							
34	41299	SOUND SUPPRESSION - SEAT DECK RISER - L.H.	1							
35	41300	SOUND SUPPRESSION - SEAT DECK RISER - R.H.	1							

CHAMPION ROAD MACHINERY



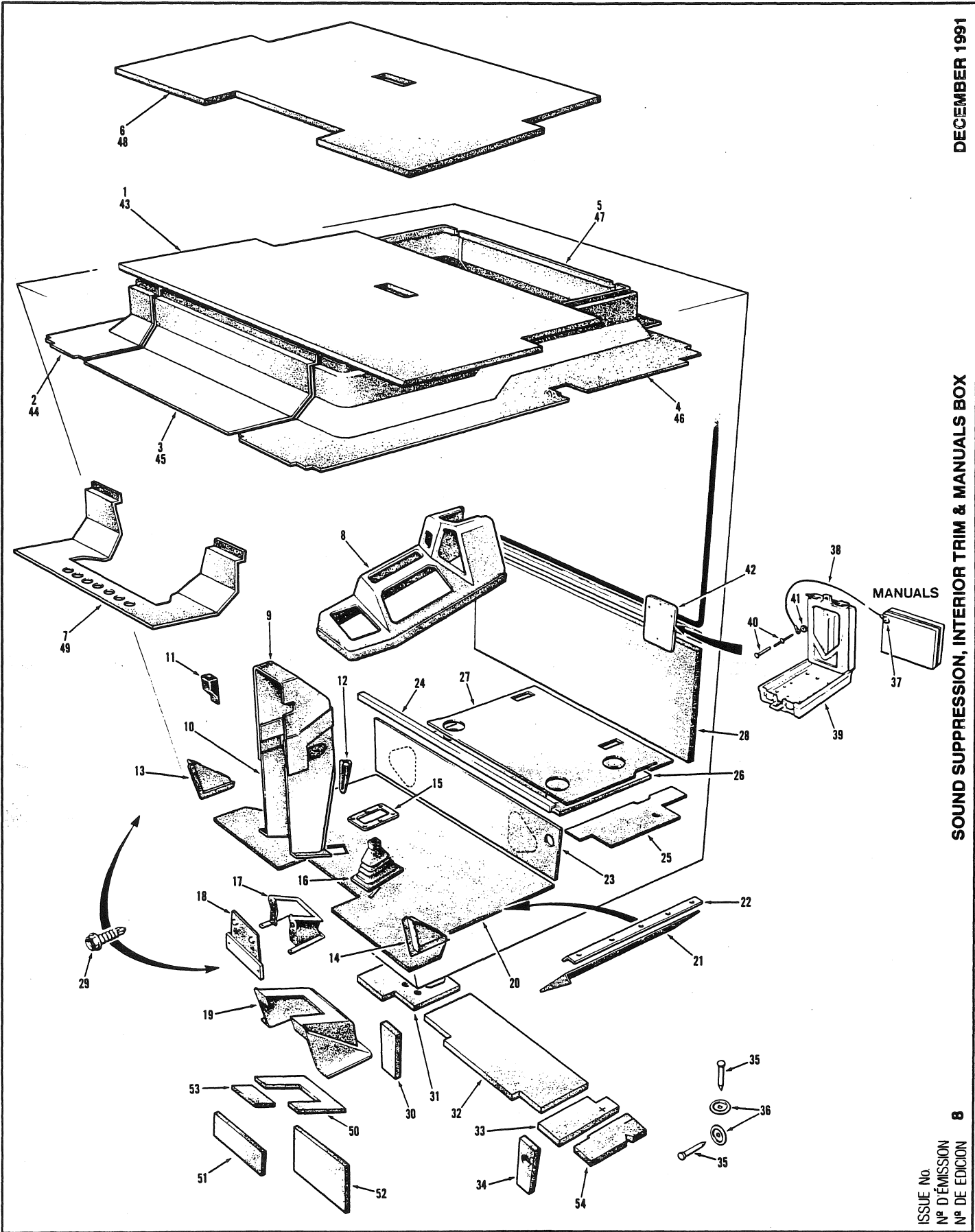
ISSUE No.
N° D'ÉMISSION
N° DE EDICION

EFFECTIVE SERIAL NUMBER(S) 21647 & UP
 NUMERO(S) DE SÉRIE EFFECTIF(S) EXCEPT 21649, 21687 & 21688
 NUMERO(S) DE SÉRIE EFECTIVO(S)

700 SERIES
SÉRIE 700

SECTION 11 PAGE
SECCION 11 PAGINA 7

SECTION SECCION		PAGE PAGINA		ISSUE No. N° D'ÉMISSION N° DE EDICION		SOUND SUPPRESSION, INTERIOR TRIM & MANUALS BOX			SEPTEMBER 1991	
No. N° N°	PART No. N° DE PIÈCE N° DE PIEZA	DESCRIPTION DÉSCRIPTION DESCRIPCION	No. REQ. N° REQ. N° REQ.	REMARKS REMARQUES NOTAS	No. N° N°	PART No. N° DE PIECE N° DE PIEZA	DESCRIPTION DÉSCRIPTION DESCRIPCION	No. REQ. N° REQ. N° REQ.	REMARKS REMARQUES NOTAS	
1	28872	SEAT DECK RISER	1				MANUALS BOX INSTALLATION			
2	28873	SOUND SUPPRESSION - CEILING	1		36	52004	FASTENER	1		
3	28874	SOUND SUPPRESSION - CAB REAR	1		37	52006	LANYARD	1		
4	57359	HEAD LINER - FRONT	1		38	53064	MANUAL BOX	1		
5	28736	GUARD - SEAT DECK RISER	1		39	77C-066	RIVET	4		
6	28794	PEDESTAL BOOT ASSEMBLY	1		40	14E-0421	WASHER	4		
7	28915	COVER - HAND THROTTLE	1		41	51995	MOUNTING PLATE	1	Repair Part	
8	28962	COVER - ARTIC SWITCH	1							
9	28966	COVER - LOWER PEDESTAL - FRONT	1				LOW PROFILE CAB			
10	28969	COVER - LOWER PEDESTAL	1		42	*65206	SOUND SUPPRESSION - CEILING	1		
11	28970	COVER - DOOR LINKAGE - L.H.	1		43	57368	HEADLINER - FRONT	1		
12	28971	COVER - DOOR LINKAGE - R.H.	1		44	57369	HEADLINER - L.H.	1		
13	33186	BOOT - BRAKE PEDAL	1		45	57370	HEADLINER - R.H.	1		
14	33231	DOOR SILL CAP	2		46	57371	HEADLINER - REAR	1		
15	33602	MOUNTING FLANGE - BOOT	2		47	*65207	SOUND SUPPRESSION - AIR CONDITIONER	1	OPTIONAL	
16	54949	FLOOR MAT	1		48	*57824	HEADLINER - FRONT - AIR CONDITIONER	1	OPTIONAL	
17	40696	HEADLINER - L.H.	1				PEDESTAL & HANDBRAKE SOUND SUPPRESSION			
18	40697	HEADLINER - R.H.	1		49	57806	SOUND SUPPRESSION - PEDESTAL	1		
19	*63002	CONSOLE - C/W WITH RIVNUTS	1		50	57807	SOUND SUPPRESSION - PEDESTAL	1		
	*63003	CONSOLE - TRANSMISSION GAUGE PACKAGE	1		51	57808	SOUND SUPPRESSION - PEDESTAL	1		
20	41314	SOUND SUPPRESSION - AIR CONDITIONER	1	OPTIONAL	52	57834	SOUND SUPPRESSION - PEDESTAL	1		
21	57358	HEADLINER - FRONT - AIR CONDITIONER	1	OPTIONAL	53	57819	SOUND SUPPRESSION - HANDBRAKE	1		
22	42433	SOUND SUPPRESSION - SEAT DECK	1							
23	57407	COVER - PEDESTAL - LOWER	1							
24	57733	COVER - PEDESTAL - UPPER	1							
25	51128	HEADLINER - REAR	1							
26	53537	SOUND SUPPRESSION - SEAT DECK	1							
27	54224	TREADWAY COVER	2							
28	62A-1006	SCREW	40							
		SOUND SUPPRESSION - UNDER SEAT DECK								
29	32357	PIN	20							
	65063	PIN	5							
30	32358	CLIP	25							
31	57298	SOUND SUPPRESSION - SEAT DECK - R.H.	1							
32	57299	SOUND SUPPRESSION - CENTRE SEAT DECK	1							
33	57301	SOUND SUPPRESSION - SEAT DECK - L.H.	1							
34	41299	SOUND SUPPRESSION - SEAT DECK RISER - L.H.	1							
35	41300	SOUND SUPPRESSION - SEAT DECK RISER - R.H.	1							



ISSUE No. 8
 N° D'ÉMISSION
 N° DE EDICION

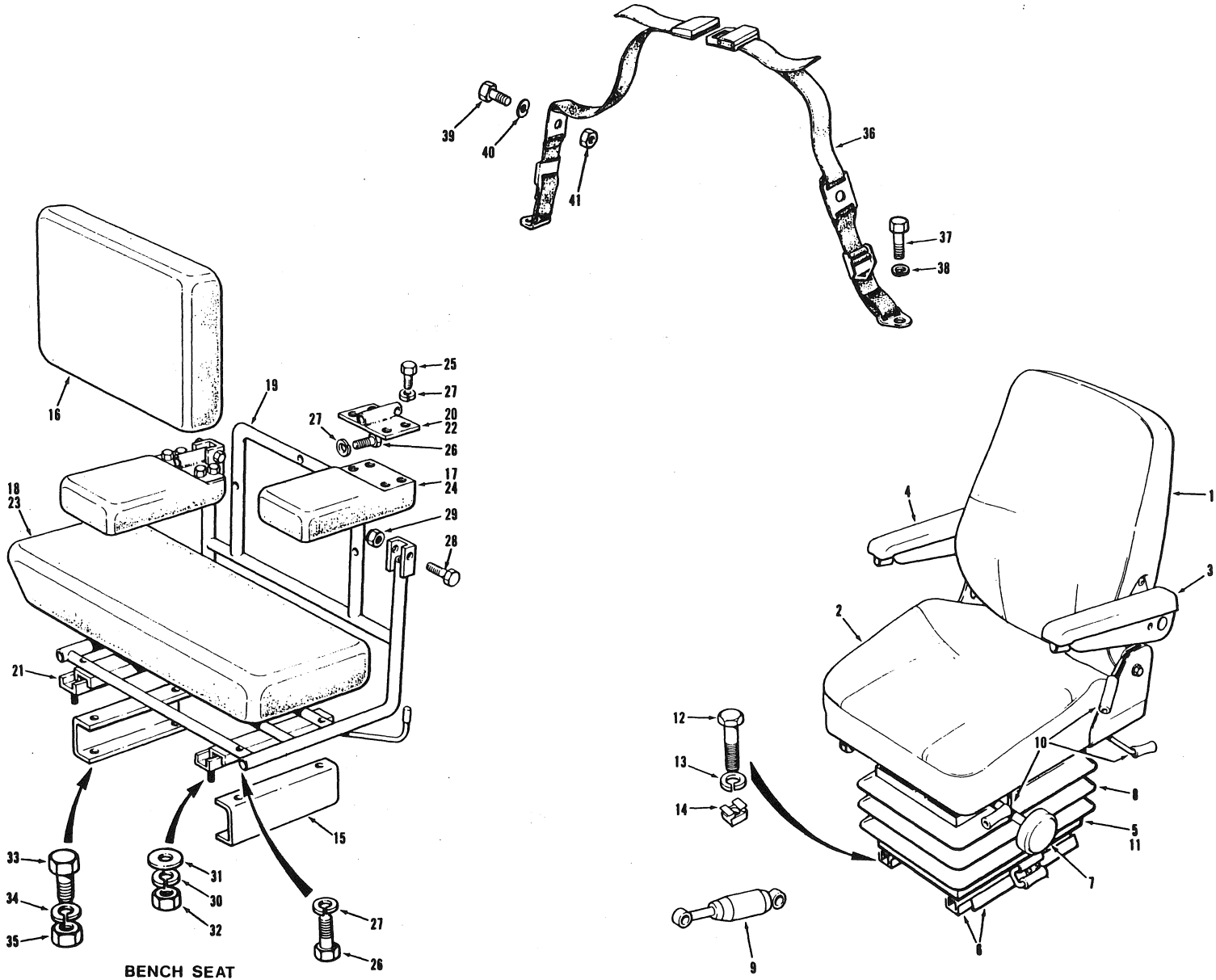
EFFECTIVE SERIAL NUMBER(S) 21911 & UP
 NUMERO(S) DE SÉRIE EFFECTIF(S)
 NUMERO(S) DE SERIE EFECTIVO(S)

700 SERIES
 SERIE 700

SECTION 11 PAGE 7
 SECCION 11 PAGINA 7

SECTION SECCION 11		PAGE PAGINA 8	ISSUE No. N° D'ÉMISSION N° DE EDICION 8	SOUND SUPPRESSION, INTERIOR TRIM & MANUALS BOX				DECEMBER 1991	
No. N° N°	PART No. N° DE PIÈCE N° DE PIEZA	DESCRIPTION DÉSCRIPTION DESCRIPCION	No. REQ. N° REQ. N° REQ.	REMARKS REMARQUES NOTAS	No. N° N°	PART No. N° DE PIECE N° DE PIEZA	DESCRIPTION DÉSCRIPTION DESCRIPCION	No. REQ. N° REQ. N° REQ.	REMARKS REMARQUES NOTAS
1	28673	SOUND SUPPRESSION - CEILING	1				MANUALS BOX INSTALLATION		
2	40697	HEADLINER - R.H.	1		37	52004	FASTENER	1	
3	57359	HEADLINER - FRONT	1		38	52006	LANYARD	1	
4	40696	HEADLINER - L.H.	1		39	53064	MANUAL BOX	1	
5	51128	HEADLINER - REAR	1		40	77C-066	RIVET	4	
6	41414	SOUND SUPPRESSION - AIR CONDITIONER	1	OPTIONAL	41	14E-0421	WASHER	4	
7	57358	HEAD LINER - FRONT - AIR CONDITIONER	1	OPTIONAL	42	51995	MOUNTING PLATE	1	Repair Part
8	63002	CONSOLE	1						
	63003	CONSOLE - TRANSMISSION GUAGE PACKAGE	1						
9	57733	COVER - PEDESTAL UPPER	1				LOW PROFILE CAB		
10	57407	COVER - PEDESTAL LOWER	1		43	65206	SOUND SUPPRESSION - CEILING	1	
11	65104	COVER - ARTIC SWITCH	1		44	57370	HEADLINER - R.H.	1	
12	28915	COVER - HAND THROTTLE	1		45	57368	HEADLINER - FRONT	1	
13	28971	COVER - DOOR LINKAGE - R.H.	1		46	57369	HEADLINER - L.H.	1	
14	28970	COVER - DOOR LINKAGE - L.H.	1		47	57371	HEADLINER - REAR	1	
15	33602	MOUNTING FLANGE - BOOT	2		48	65207	SOUND SUPPRESSION - AIR CONDITIONER	1	OPTIONAL
16	33186	BOOT - BRAKE PEDAL	1		49	57824	HEADLINER - FRONT - AIR CONDITIONER	1	OPTIONAL
17	28794	PEDESTAL BOOT ASSEMBLY	1						
18	28966	COVER - LOWER PEDESTAL - FRONT	1				PEDESTAL & HANDBRAKE SOUND SUPPRESSION		
19	28969	COVER - LOWER PEDESTAL	1		50	57806	SOUND SUPPRESSION - PEDESTAL	1	
20	*65172	FLOOR MAT	1		50	57807	SOUND SUPPRESSION - PEDESTAL	1	
	*65479	FLOOR MAT - CANOPY CAB	1		51	57808	SOUND SUPPRESSION - PEDESTAL	1	
21	54224	TREADWAY COVER	2		52	57834	SOUND SUPPRESSION - PEDESTAL	1	
22	33231	DOOR SILL CAP	2		53	*65689	SOUND SUPPRESSION - HANDBRAKE	1	
23	*65059	SOUND SUPPRESSION - SEAT DECK RISER	1						
24	*65201	TRIM STRIP - SEAT DECK RISER	1	Up to S/N 22094					
	*65721	TRIM STRIP - SEAT DECK RISER	1	S/N 22095 & Up					
25	*65041	SOUND SUPPRESSION - SEAT DECK - L.H.	1						
26	*65038	SEAL PAD - HEATER	1						
27	*65039	SOUND SUPPRESSION - SEAT DECK	1						
28	28674	SOUND SUPPRESSION - CAB REAR	1						
29	62A-1006	SCREW	40						
		SOUND SUPPRESSION - UNDER SEAT DECK							
30	*65112	SOUND SUPPRESSION - SEAT DECK RISER - R.H.	1						
31	*65114	SOUND SUPPRESSION - SEAT DECK - R.H.	1						
32	*65115	SOUND SUPPRESSION - CENTRE SEAT DECK	1						
33	*65116	SOUND SUPPRESSION - SEAT DECK - L.H.	1						
34	*65113	SOUND SUPPRESSION - SEAT DECK RISER - L.H.	1						
35	32357	PIN	20						
	65063	PIN	5						
36	32358	CLIP	25						

CHAMPION ROAD MACHINERY



ISSUE No.
N° D'ÉMISSION
N° DE EDICION

1 REVISION B

SEAT INSTALLATION

JULY 1989

FOR LIST OF PARTS - TURN THIS PAGE

POUR LA LISTE DES PIÈCES - VOIR AU VERSO

PARA LA LISTA DE LAS PIEZAS - VER AL VERSO

EFFECTIVE SERIAL NUMBER(S)
NUMEROS(S) DE SERIE EFFECTIF(S)
NUMEROS(S) DE SERIE EFFECTIVO(S)
U.S. 2021-2 to 2658-2

16224, 16245 to 20076

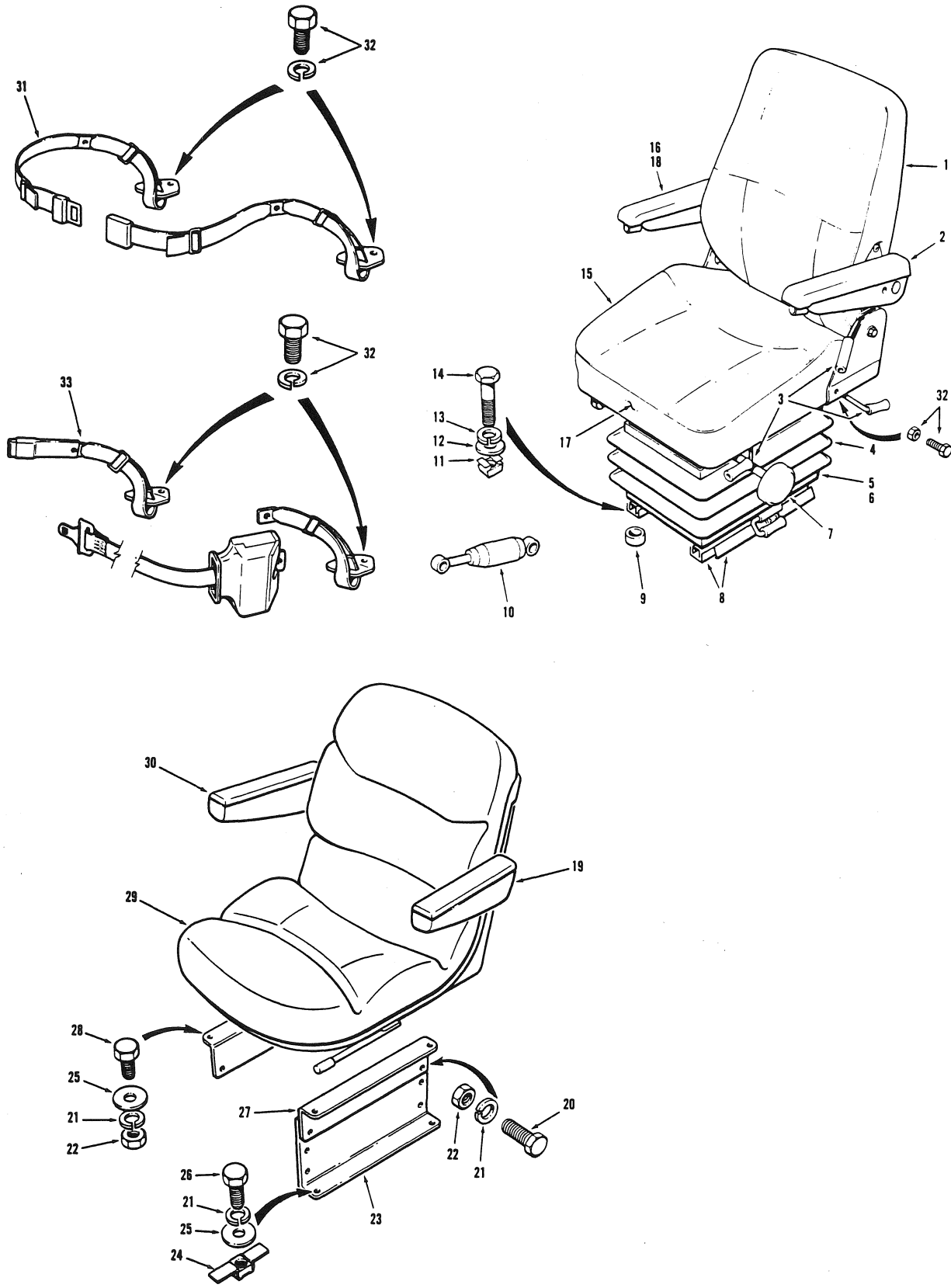
700 SERIES
SERIE 700

SECTION 11
SECCION 11
PAGINA

9

USE ONLY CHAMPION ROAD MACHINERY APPROVED PARTS

SECTION SECCION		PAGE PAGINA		ISSUE No. N° D'ÉMISSION N° DE EDICION		1 REVISION B		SEAT INSTALLATION			JULY 1989	
No. N° N°	PART No. N° DE PIÈCE N° DE PIEZA	DESCRIPTION DESCRIPTION DESCRIPCION	No. REQ. N° REQ. N° REQ.	REMARKS REMARQUES NOTAS	No. N° N°	PART No. N° DE PIÈCE N° DE PIEZA	DESCRIPTION DESCRIPTION DESCRIPCION	No. REQ. N° REQ. N° REQ.	REMARKS REMARQUES NOTAS			
	32530	BUCKET SEAT INSTALLATION SEAT - C/W ITEMS 1 TO 11	1				SEAT BELT INSTALLATION					
1	34637	BACK REST ASSEMBLY	1		36	35721	SEAT BELT ASSEMBLY	1				
2	34638	SEAT CUSHION	1		37	50A-0608	BOLT	2				
3	34639	ARM REST - L.H.	1		38	14A-06	LOCKWASHER	2				
4	34640	ARM REST - R.H.	1		39	51A-0712	BOLT	2				
5	34641	SUSPENSION ASSEMBLY - C/W ITEMS 6 TO 8	1		40	14A-07	LOCKWASHER	2				
6	34642	SLIDE SET	1		41	31A-07	NUT	2				
7	34643	HANDWHEEL ASSEMBLY	1									
8	34644	BOOT	1									
9	34645	SHOCK ABSORBER	1									
10	34646	HANDLE KIT	1									
11	*52482	SPRING	2									
12	50A-0510	BOLT	4									
13	14A-05	LOCKWASHER	4									
14	38A-0504	CAGE NUT	4									
	28675	BENCH SEAT INSTALLATION SEAT - C/W ITEMS 16 TO 29	1									
15	41844	SEAT RISER BRACKET	2									
16	19093	BACKREST CUSHION	1									
17	19094	ARMREST CUSHION - 4 1/2" CENTER TO CENTER	2									
18	19095	SEAT CUSHION - 21 1/2" CENTER TO CENTER	1									
19	19096	SEAT FRAME	1									
20	19098	PIVOT BRACKET - 4 1/2" CENTER TO CENTER	2									
21	19099	SLIDE RAIL ASSEMBLY	1									
22	34436	PIVOT BRACKET - 3" CENTER TO CENTER	2									
23	34437	SEAT CUSHION - 13 1/2" CENTER TO CENTER	1									
24	34438	ARMREST CUSHION - 3" CENTER TO CENTER	2									
25	50A-0408	BOLT	8									
26	50A-0412	BOLT	7									
27	14A-04	LOCKWASHER	15									
28	50A-0520	BOLT	2									
29	36D-05	LOCKNUT	2									
30	14A-05	LOCKWASHER	4									
31	14C-05	FLATWASHER	4									
32	30A-05	NUT	4									
33	50A-0610	BOLT	4									
34	14A-06	LOCKWASHER	4									
35	30A-06	NUT	4									



EFFECTIVE SERIAL NUMBER(S) 20077 & UP
 NUMERO(S) DE SÉRIE EFFECTIF(S)
 NUMERO(S) DE SERIE EFECTIVO(S)

700 SERIES
 SERIE 700

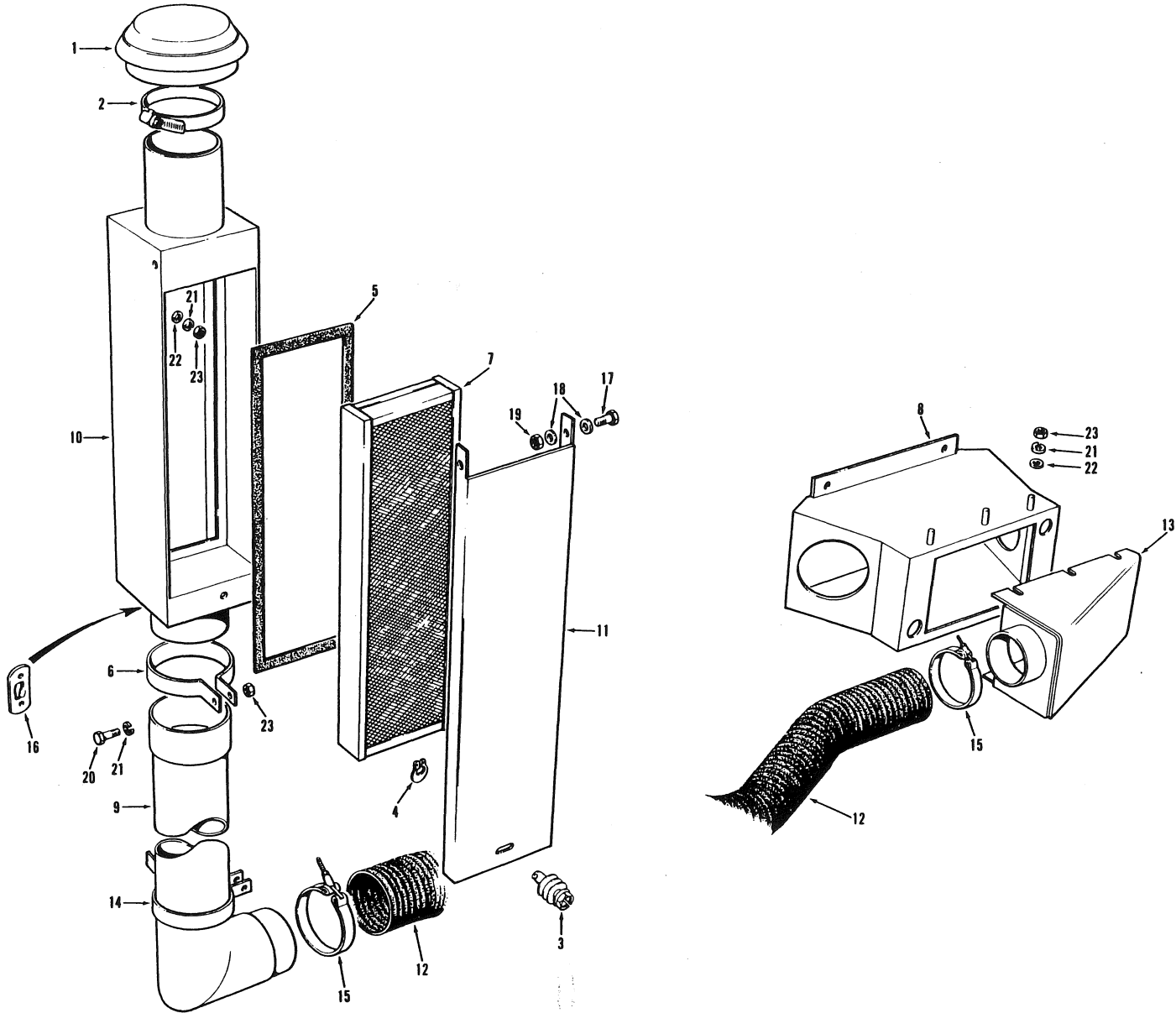
SECTION 11 PAGE 9
 SECCION 11 PAGINA 9

SECTION SECCION		11	PAGE PAGINA	10	ISSUE No. N° D'ÉMISSION N° DE EDICION	2 REVISION B	SEAT INSTALLATION			FEBRUARY 1991	
No. N° N°	PART No. N° DE PIÈCE N° DE PIEZA	DESCRIPTION DESCRIPTION DESCRIPCION			No. REQ. N° REQ. N° REQ.	REMARKS REMARQUES NOTAS	No. N° N°	PART No. N° DE PIECE N° DE PIEZA	DESCRIPTION DESCRIPTION DESCRIPCION	No. REQ. N° REQ. N° REQ.	REMARKS REMARQUES NOTAS
		<u>ISRINGHAUSEN SEAT INSTALLATION</u>									
	32530	SEAT - C/W ITEMS 1 to 8, 10, 15 & 17			1						
1	34637	BACK REST ASSEMBLY			1						
2	34639	ARM REST - L.H.			1						
3	34646	HANDLE KIT			1						
4	34644	BOOT			1						
5	34641	SUSPENSION ASSEMBLY - C/W ITEMS 4, 7 & 10			1						
6	52482	SPRING			2						
7	34643	HANDWHEEL ASSEMBLY			1						
8	34642	SLIDE SET			1						
9	12331-4	SPACER			4						
10	34645	SHOCK ABSORBER			1						
11	38A-0504	CAGE NUT			4						
12	14C-06	FLATWASHER			4						
13	14A-05	LOCKWASHER			4						
14	50A-0514	BOLT			4						
15	34638	SEAT CUSHION			1						
16	34640	ARM REST - R.H.			1						
17	*58288	SPRING			2						
18	*58082	ARM REST - 4" - PAIR			1						
		<u>STANDARD SEAT INSTALLATION</u>									
19	58000	ARM REST - L.H.			1						
20	57040	BOLT			4						
21	14A-05	LOCKWASHER			8						
22	30A-05	NUT			8						
23	57039	BRACKET - RISER - LOWER			2						
24	38B-05	NUT RETAINER			4						
25	14C-06	FLATWASHER			8						
26	50A-0510	BOLT			4						
27	57038	BRACKET - RISER - UPPER			2						
28	50A-0506	BOLT			4						
29	53176	SEAT			1						
30	58001	ARM REST - R.H.			1						
	53528	ARM REST KIT			1 per						
		<u>SEAT BELT INSTALLATION</u>									
31	*57700	SEAT BELT ASSEMBLY			1						
32	51957	BOLT KIT			1 or 2						
33	*51986	SEAT BELT - RETRACTABLE			1						

EFFECTIVE SERIAL NUMBERS) 16224, 16245 & UP
 NUMEROS) DE SERIE EFFECTIFS)
 NUMEROS) DE SERIE EFFECTIVOS)
 U.S. 2021-2 & UP

700 SERIES
 SERIE 700

SECTION 11 PAGE 11
 SECTION 11 PAGINA 11



ISSUE No.
 N° D'ÉMISSION
 N° DE EDICION 1

CAB PRESSURIZER INSTALLATION

NOVEMBER 1984

FOR LIST OF PARTS - TURN THIS PAGE

POUR LA LISTE DES PIÈCES - VOIR AU VERSO

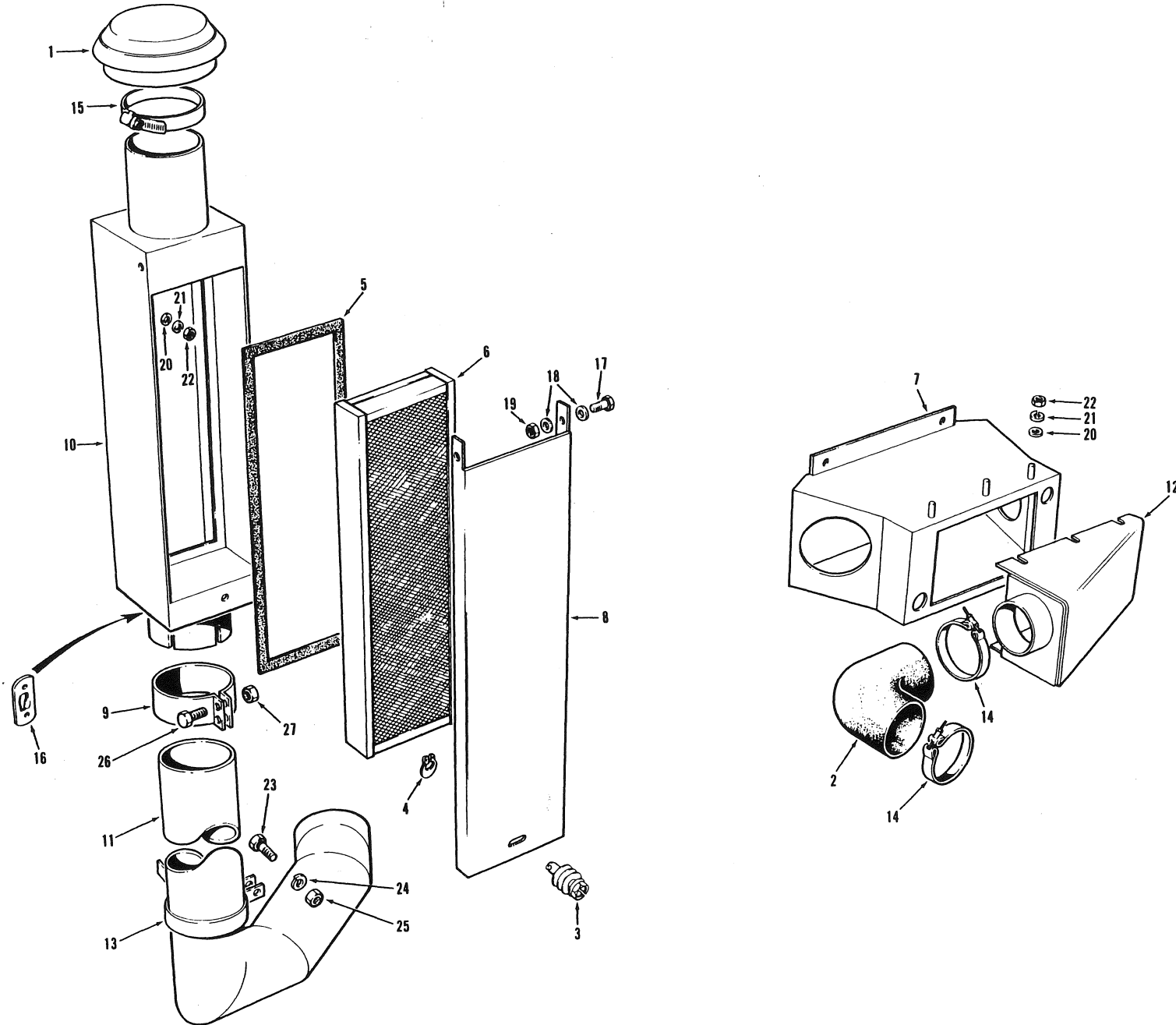
PARA LA LISTA DE LAS PIEZAS - VER AL VERSO

SECTION SECCION 11		PAGE PAGINA 12		ISSUE No. N° D'ÉMISSION 1 N° DE EDICION		CAB PRESSURIZER INSTALLATION			NOVEMBER 1984	
No. N° N°	PART No. N° DE PIÈCE N° DE PIEZA	DESCRIPTION DÉSCRIPTION DESCRIPCION	No. REQ. N° REQ. N° REQ.	REMARKS REMARQUES NOTAS	No. N° N°	PART No. N° DE PIECE N° DE PIEZA	DESCRIPTION DÉSCRIPTION DESCRIPCION	No. REQ. N° REQ. N° REQ.	REMARKS REMARQUES NOTAS	
1	7898	AIR INTAKE HOOD	1							
2	16601	CLAMP	1							
3	17042	FASTENER	1							
4	18799	GRIP RING	1							
5	19176	WEATHER STRIPPING	A.R.							
6	24411-1	CLAMP	1							
7	26866	FILTER	1							
8	28778	CAB HEATER BOX - MODIFIED	1							
9	28780	LOWER PIPE ASSY.	1							
10	28782	AIR FILTER BOX	1							
11	28788	DOOR	1							
12	28981	HOSE	1							
13	28983	HEATER EXTENSION	1							
14	32460	CLAMP - MODIFIED	1							
15	22A-475	CLAMP	2							
16	17044	CLIP	A.R.	REPAIR PART						
17	50A-0404	BOLT	2							
18	14C-04	FLATWASHER	4							
19	36D-04	LOCKNUT	2							
20	50A-0516	BOLT	2							
21	14A-05	LOCKWASHER	10							
22	14C-05	FLATWASHER	10							
23	30A-05	NUT	10							

EFFECTIVE SERIAL NUMBERS) 17513 & UP
 NUMÉRO(S) DE SÉRIE EFFECTIF(S)
 NUMEROS) DE SERIE EFFECTIVO(S)
 U.S. 2625-2 & UP

700 SERIES
 SERIE 700

SECTION 11 PAGE 11
 SECCION 11 PAGINA 11



USE ONLY CHAMPION APPROVED PARTS

ISSUE No.
 N° D'ÉMISSION
 N° DE EDICION 2

CAB PRESSURIZER INSTALLATION

JANUARY 1987

FOR LIST OF PARTS - TURN THIS PAGE

POUR LA LISTE DES PIÈCES - VOIR AU VERSO

PARA LA LISTA DE LAS PIEZAS - VER AL VERSO

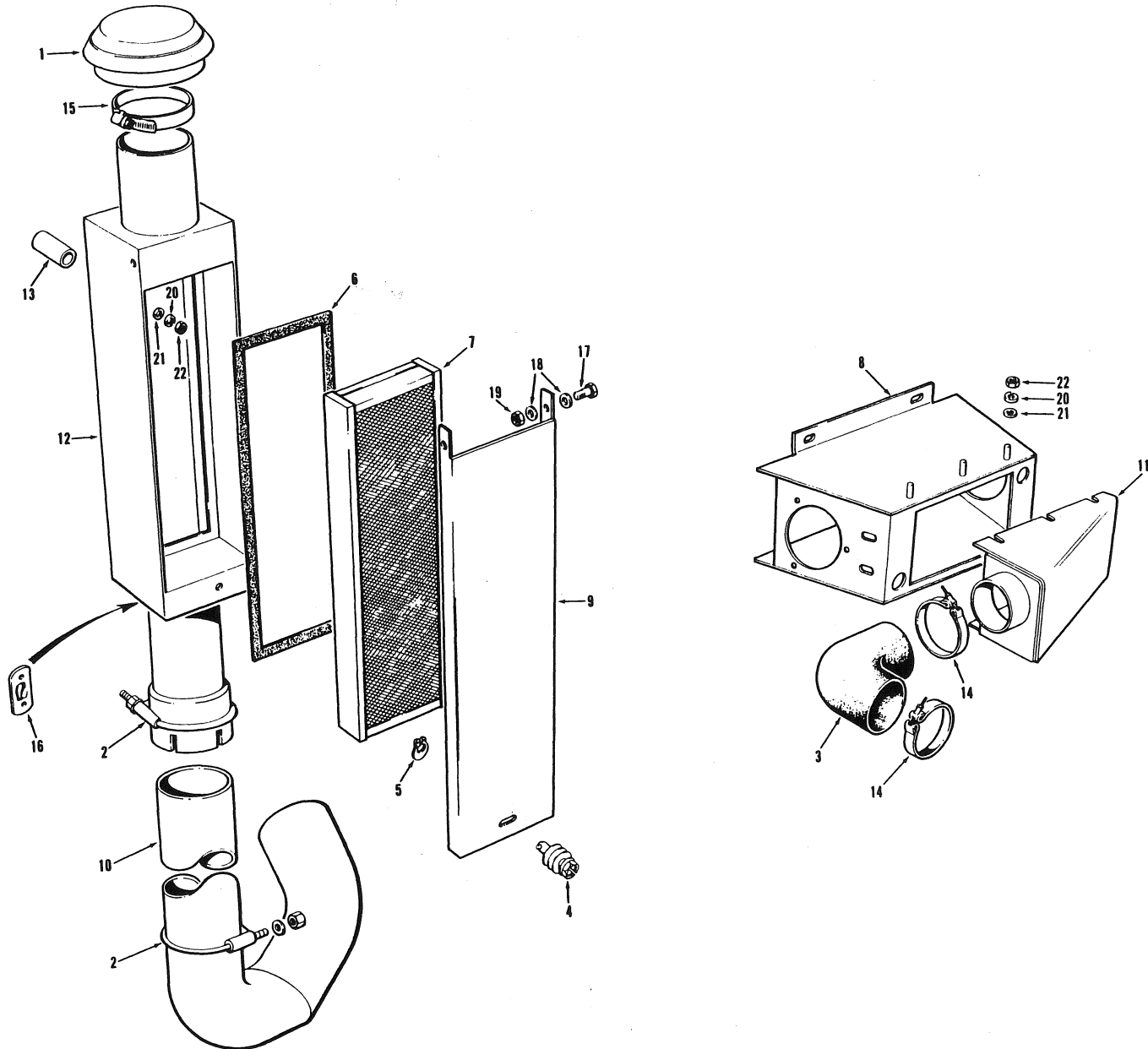
SECTION SECCION 11		PAGE PAGINA 12		ISSUE No. N° D'ÉMISSION 2 N° DE EDICION		CAB PRESSURIZER INSTALLATION			JANUARY 1987	
No. N° N°	PART No. N° DE PIÈCE N° DE PIEZA	DESCRIPTION DÉSCRIPTION DESCRIPCION	No. REQ. N° REQ. N° REQ.	REMARKS REMARQUES NOTAS	No. N° N°	PART No. N° DE PIECE N° DE PIEZA	DESCRIPTION DÉSCRIPTION DESCRIPCION	No. REQ. N° REQ. N° REQ.	REMARKS REMARQUES NOTAS	
1	7898	INTAKE HOOD	1							
2	*16280	ELBOW	1							
3	17042	FASTENER	1							
4	18799	GRIP RING	1							
5	*19176 X 77	WEATHER STRIPPING - 77 INCHES LONG	1							
6	26866	FILTER	1							
7	28778	CAB HEATER BOX - MODIFIED	1							
8	28788	DOOR	1							
9	*35097	CLAMP - C/W ITEMS 26 & 27	1							
10	*43167	AIR FILTER BOX	1							
11	*43168	LOWER PIPE ASSY.	1							
12	*43169	HEATER EXTENSION	1							
13	*44936	CLAMP	1							
14	*22A-450	CLAMP	2							
15	*22A-550	CLAMP	1							
16	17044	CLIP	1	REPAIR PART						
17	50A-0406	BOLT	2							
18	14C-04	LOCKWASHER	4							
19	36D-04	LOCKNUT	2							
20	14A-05	LOCKWASHER	8							
21	14C-05	FLATWASHER	8							
22	30A-05	NUT	8							
23	50A-0612	BOLT	1							
24	14A-06	LOCKWASHER	1							
25	30A-06	NUT	1							
26	*50A-0618	BOLT	2							
27	*30A-06	NUT	2							

CHAMPION ROAD MACHINERY

EFFECTIVE SERIAL NUMBERS) 18802 & 18878 & UP
 NUMEROS) DE SÉRIE EFFECTIFS)
 NUMEROS) DE SERIE EFFECTIVOS)

700 SERIES
 SERIE 700

SECTION 11 PAGE 11
 SECCION 11 PAGINA 11



ISSUE No.
 N° D'ÉMISSION
 N° DE EDICION 3

CAB PRESSURIZER INSTALLATION

AUGUST 1988

FOR LIST OF PARTS - TURN THIS PAGE

POUR LA LISTE DES PIÈCES - VOIR AU VERSO

PARA LA LISTA DE LAS PIEZAS - VER AL VERSO

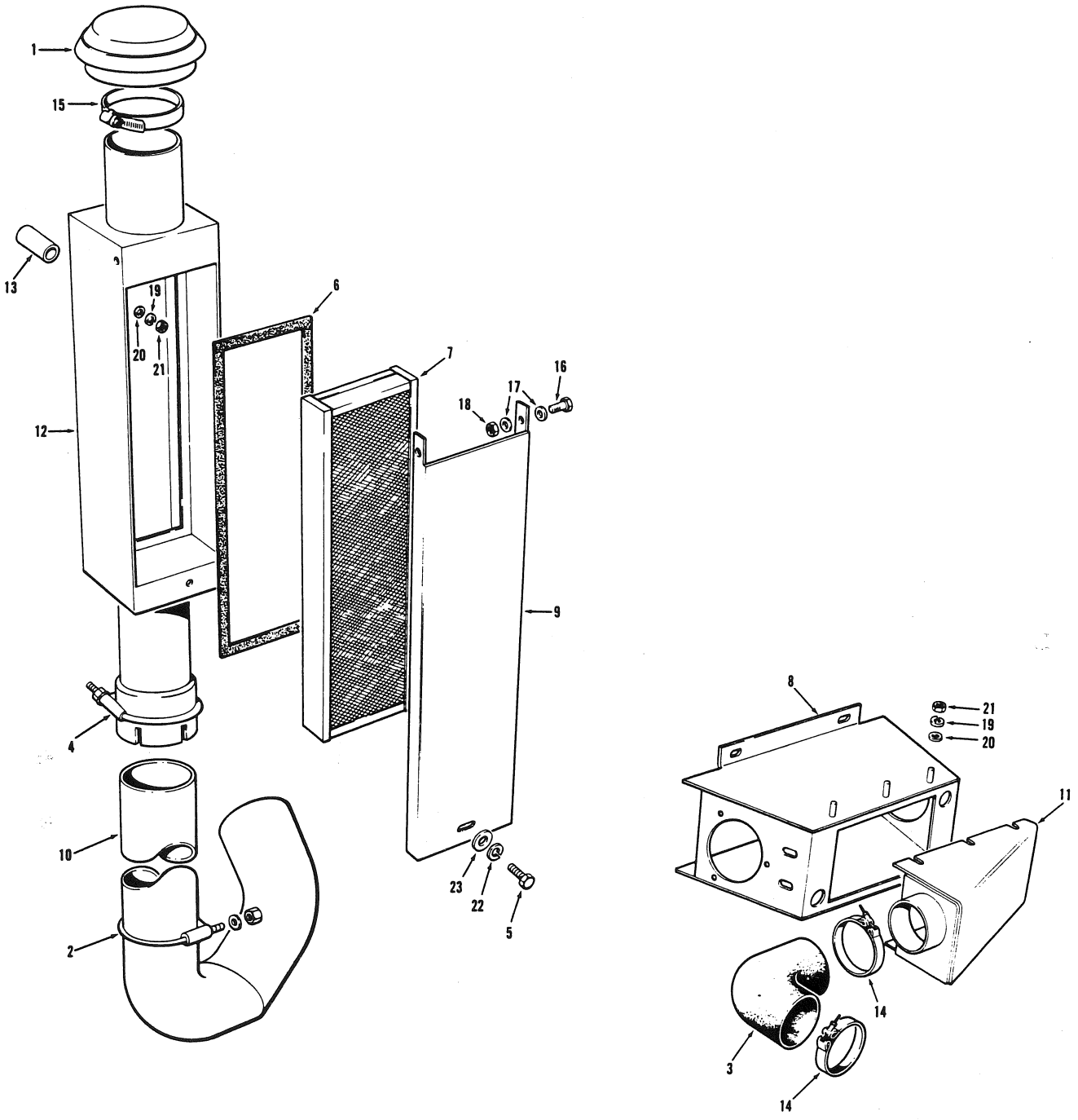
USE ONLY CHAMPION ROAD MACHINERY APPROVED PARTS

SECTION SECCION		PAGE PAGINA		ISSUE No. N° D'ÉMISSION N° DE EDICION		CAB PRESSURIZER INSTALLATION				AUGUST 1988	
No. N° N°	PART No. N° DE PIÈCE N° DE PIEZA	DESCRIPTION DÉSCRIPTION DESCRIPCION		No. REQ. N° REQ. N° REQ.	REMARKS REMARQUES NOTAS	No. N° N°	PART No. N° DE PIÈCE N° DE PIEZA	DESCRIPTION DÉSCRIPTION DESCRIPCION		No. REQ. N° REQ. N° REQ.	REMARKS REMARQUES NOTAS
1	7898	INTAKE HOOD		1							
2	*9840	CLAMP		2							
3	16280	ELBOW		1							
4	17042	FASTENER		1							
5	18799	GRIP RING		1							
6	19176 X 77	WEATHER STRIPPING - 77 INCHES LONG		1							
7	26866	FILTER		1							
8	28778	CAB HEATER BOX - MODIFIED		1							
9	28788	DOOR		1							
10	*48542	LOWER PIPE ASSY.		1							
11	*48543	HEATER EXTENSION		1							
12	*48718	AIR FILTER BOX		1							
13	*48885	SPACER		2							
14	22A-450	CLAMP		2							
15	*22B-104	CLAMP		1							
16	17044	CLIP		1	REPAIR PART						
17	50A-0406	BOLT		2							
18	14C-04	FLATWASHER		4							
19	36D-04	LOCKNUT		2							
20	14A-05	LOCKWASHER		8							
21	14C-05	FLATWASHER		8							
22	30A-05	NUT		8							

CHAMPION ROAD MACHINERY

CAB PRESSURIZER INSTALLATION

FOR LIST OF PARTS - TURN THIS PAGE
 PARA LA LISTA DE LAS PIEZAS - VFR AL VFRSO
 POUR LA LISTE DES PIÉCES - VOIR AU VFRSO



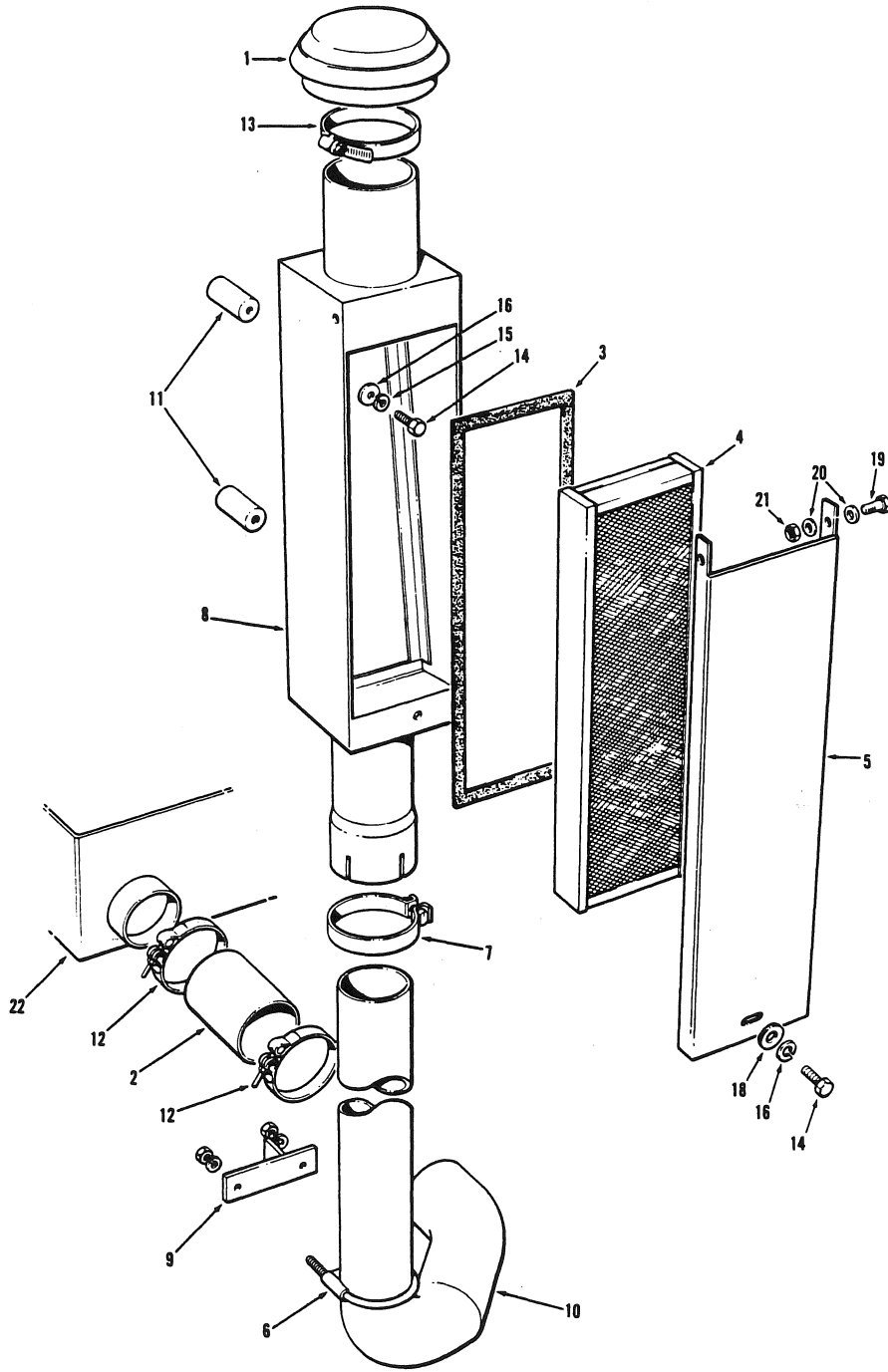
ISSUE No.
 N° D'ÉMISSION
 N° DE EDICION 4

EFFECTIVE SERIAL NUMBER(S) 21078, 21080, 21082, 21084,
 NUMERO(S) DE SÉRIE EFFECTIF(S) 21086, 21092 & UP
 NUMERO(S) DE SERIE EFECTIVO(S)

700 SERIES
 SERIE 700

SECTION 11 PAGE 11
 SECCION 11 PAGINA 11

SECTION SECCION		11	PAGE PAGINA	12	ISSUE No. N° D'ÉMISSION N° DE EDICION	4	CAB PRESSURIZER INSTALLATION			MARCH 1991
No. N° N°	PART No. N° DE PIÈCE N° DE PIEZA	DESCRIPTION DÉSCRIPTION DESCRIPCION	No. REQ. N° REQ. N° REQ.	REMARKS REMARQUES NOTAS	No. N° N°	PART No. N° DE PIÈCE N° DE PIEZA	DESCRIPTION DÉSCRIPTION DESCRIPCION	No. REQ. N° REQ. N° REQ.	REMARKS REMARQUES NOTAS	
1	7898	INTAKE HOOD	1							
2	9840	CLAMP	1							
3	16280	ELBOW	1							
4	*57284	CLAMP	1							
5	*50A-0508ZI	BOLT	1							
6	19176 x 77	WEATHER STRIPPING	1							
7	26866	FILTER	1							
8	28778	CAB HEATER BOX - MODIFIED	1							
9	28788	DOOR	1							
10	48542	LOWER PIPE ASSEMBLY	1							
	*38815	LOWER PIPE ASSEMBLY - LOW PROFILE CAB	1							
11	48543	HEATER EXTENTION	1							
12	*57448	AIR FILTER BOX	1							
	*38817	AIR FILTER BOX - LOW PROFILE CAB	1							
13	48885	SPACER	2	Repair Part						
14	22A-450	CLAMP	2							
15	22B-104	CLAMP	1							
16	50A-0406	BOLT	2							
17	14C-04	FLATWASHER	4							
18	36D-04	LOCKNUT	2							
19	14A-05	LOCKWASHER	8							
20	14C-05	FLATWASHER	8							
21	30A-05	NUT	8							
22	*14A-06ZI	LOCKWASHER	1							
23	*14C-05ZI	FLATWASHER	1							



DECEMBER 1991

CAB PRESSURIZER INSTALLATION

PARA LA LISTA DE LAS PIEZAS - VER AL VERSO

POUR LA LISTE DES PIÈCES - VOIR AU VERSO

FOR LIST OF PARTS - TURN THIS PAGE

5

ISSUE No.
N° D'ÉMISSION
N° DE EDICION

EFFECTIVE SERIAL NUMBER(S) 21911 & UP
NUMERO(S) DE SÉRIE EFFECTIF(S)
NUMERO(S) DE SERIE EFFECTIVO(S)

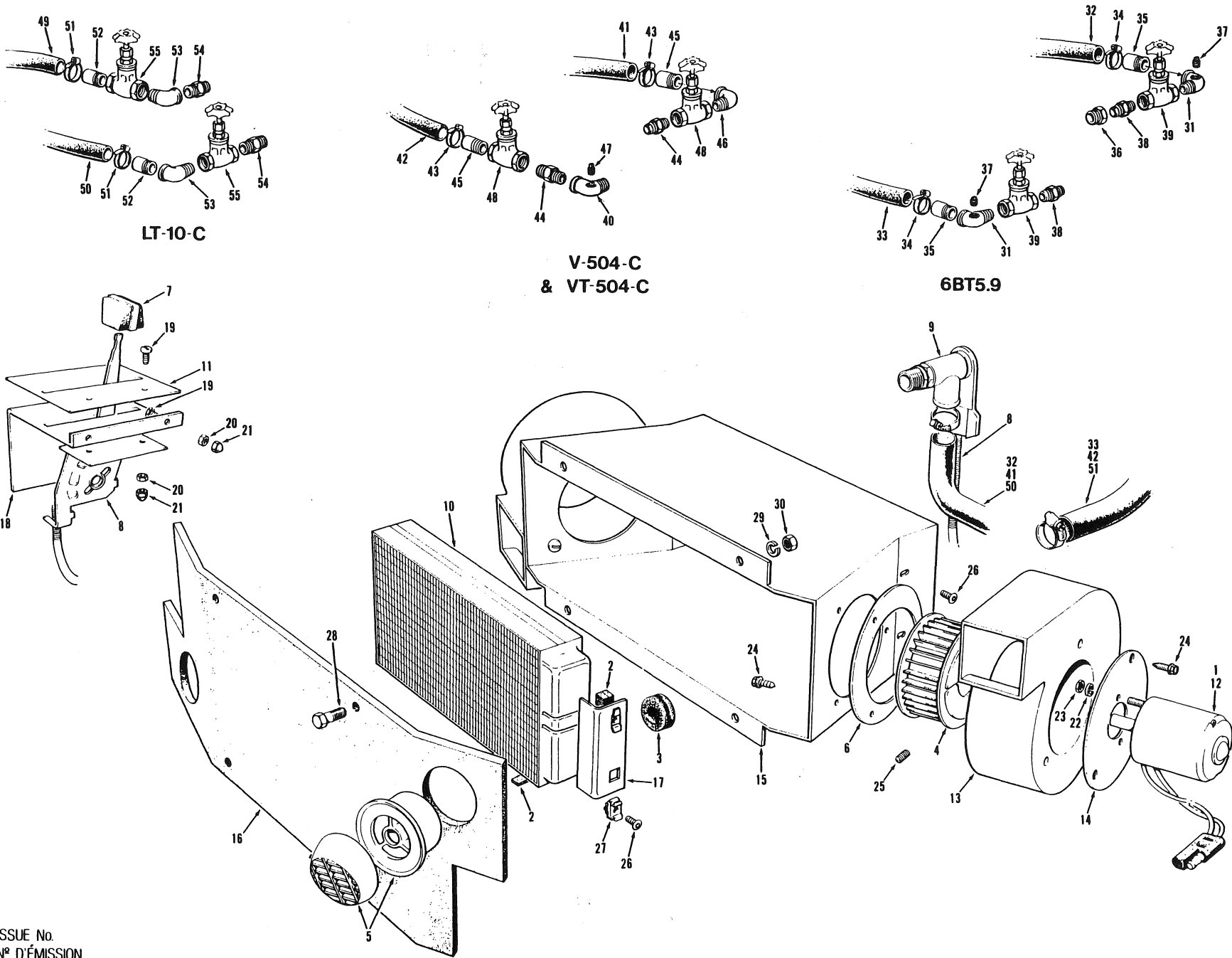
700 SERIES
SERIE 700

SECTION 11 PAGE 11
SECCION 11 PAGINA 11

SECTION SECCION		PAGE PAGINA		ISSUE No. N° D'ÉMISSION N° DE EDICION		CAB PRESSURIZER INSTALLATION			DECEMBER 1991	
No. N° N°	PART No. N° DE PIÈCE N° DE PIEZA	DESCRIPTION DESCRIPTION DESCRIPCION	No. REQ N° REQ. N° REQ.	REMARKS REMARQUES NOTAS	No. N° N°	PART No. N° DE PIÈCE N° DE PIEZA	DESCRIPTION DESCRIPTION DESCRIPCION	No. REQ N° REQ. N° REQ.	REMARKS REMARQUES NOTAS	
1	*10886	INTAKE HOOD	1							
2	*16877	HOSE	1							
3	19176 x 77	WEATHER STRIPPING	1							
4	26866	FILTER	1							
5	*28788-1	DOOR	1							
6	*43738	CLAMP	1							
7	*57285	CLAMP	1							
8	*57849	AIR FILTER BOX	1							
	*57881	AIR FILTER BOX - LOW PROFILE CAB	1							
9	*57902	SUPPORT BAR	1	Repair Part						
10	*65025	LOWER PIPE ASSEMBLY	1							
	*57880	LOWER PIPE ASSEMBLY - LOW PROFILE CAB	1							
11	*65839	SPACER	1	Repair Part						
12	*22A-550	CLAMP	2							
13	22B-104	CLAMP	1							
14	50A-0508Z1	BOLT	3							
15	14A-05	LOCKWASHER	1							
16	14A-05Z1	LOCKWASHER	1							
17	14C-05	FLATWASHER	2							
18	14C-05Z1	FLATWASHER	1							
19	50A-0408	BOLT	2							
20	14C-04	FLATWASHER	4							
21	30D-04	LOCKNUT	2							
22		HEATER BOX	Ref.	Sec 11 Pg 13						

CHAMPION ROAD MACHINERY

USE ONLY **CHAMPION** APPROVED PARTS
ROAD MACHINERY



LT-10-C

V-504-C
& VT-504-C

6BT5.9

CAB HEATER & PLUMBING

SEPTEMBER 1985

ISSUE No.
 N° D'ÉMISSION
 N° DE EDICION 1 REVISION A

FOR LIST OF PARTS - TURN THIS PAGE POUR LA LISTE DES PIÈCES - VOIR AU VERSO PARA LA LISTA DE LAS PIEZAS - VER AL VERSO

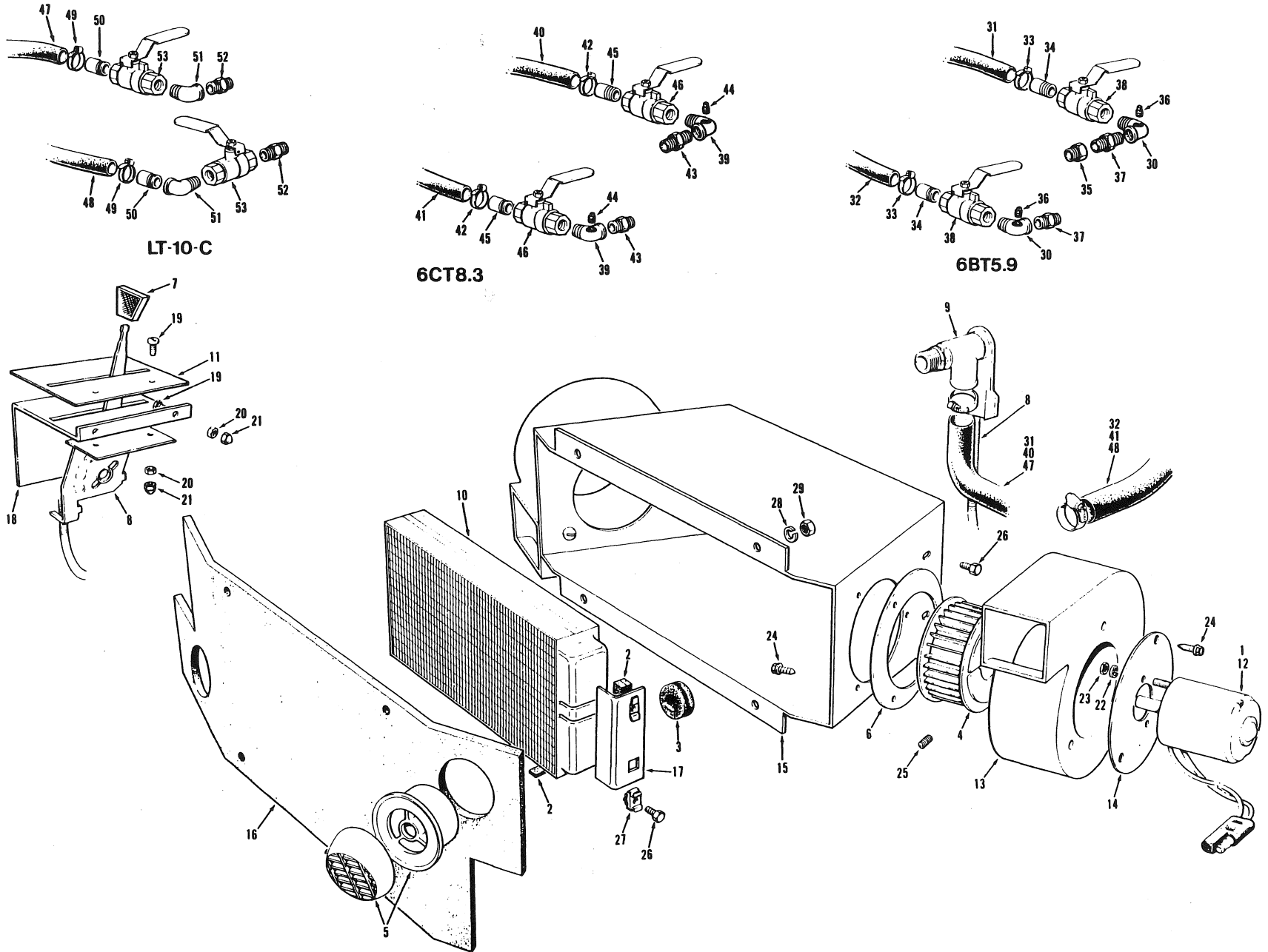
EFFECTIVE SERIAL NUMBER(S) 16224, 16245 TO 16805
 NUMEROS DE SERIE EFFECTIFS
 NUMEROS DE SERIE EFECTIVOS
 U.S. 2021-2 TO 2418-2

700 SERIES
 SERIE 700

SECTION 11 PAGE 13
 SECTION 11 PAGINA 13

SECTION SECCION 11		PAGE PAGINA 14	ISSUE No. N° D'ÉMISSION N° DE EDICION 1 REVISION A	CAB HEATER AND PLUMBING			SEPTEMBER 1985		
No. N° N°	PART No. N° DE PIÈCE N° DE PIEZA	DESCRIPTION DÉSCRIPTION DESCRIPCION	No. REQ. N° REQ. N° REQ.	REMARKS REMARQUES NOTAS	No. N° N°	PART No. N° DE PIECE N° DE PIEZA	DESCRIPTION DÉSCRIPTION DESCRIPCION	No. REQ. N° REQ. N° REQ.	REMARKS REMARQUES NOTAS
<u>CAB HEATER</u>					<u>PLUMBING INSTALLATION - V/VT-504-C</u>				
1	7319	MOTOR - 12 VOLT.	2						
2	11160	CORK	A.R.		40	41161	ELBOW	1	
3	11161	GROMMET	2		41	9513 X 82	HOSE	1	
4	17995	IMPELLER	2		42	9513 X 90	HOSE	1	
5	19530	SWIVEL OUTLET ASSY.	2		43	22B-16	CLAMP	4	
6	19644	INLET RING	2		44	115A-08	NIPPLE	2	
7	19792	KNOB	1		45	115AA-0804	NIPPLE	2	
8	19793	CONTROL & CABLE ASSY.	1		46	115J-0808	ELBOW	1	
9	23394	BALL VALVE	1		47	115E-04	PLUG	1	
10	23395	HEATER CORE	1		48	117A-08	GATE VALVE	2	
11	23420	DECAL	1						
12	23784	MOTOR - 24 VOLT	2	OPTIONAL					
13	24746	HOUSING	2						
14	24747	PLATE	2						
15	28547	BOX	1		49	9513 X 90	HOSE	1	
16	28548	GASKET	1		50	9513 X 110	HOSE	1	
17	28551	CORE CLAMP	2		51	22B-16	CLAMP	4	
18	32706	MOUNTING BRACKET	1		52	115AA-0804	NIPPLE	2	
19	52L-0604	SCREW	4		53	115J-0808	ELBOW	2	
20	32A-06	NUT	4		54	115A-08	NIPPLE	2	
21	32D-06	CROWN NUT	4		55	117A-08	GATE VALVE	2	
22	14F-10	LOCKWASHER	4						
23	33A-10	NUT	4						
24	62A-1006	SCREW	12						
25	70A-0406	SCREW	2						
26	50E-0504	SCREW	4						
27	38A-0503	CAGENUT	4						
28	50A-0612	BOLT	4						
29	14A-06	LOCKWASHER	4						
30	30A-06	NUT	4						
<u>PLUMBING INSTALLATION - 6BT5.9</u>									
31	41161	ELBOW	2						
32	9513 X 60	HOSE	1						
33	9513 X 100	HOSE	1						
34	22B-16	CLAMP	4						
35	115AA-0804	NIPPLE	2						
36	115B-1208	REDUCER	1						
37	115E-04	PLUG	2						
38	115A-08	NIPPLE	2						
39	117A-08	GATE VALVE	2						

CHAMPION ROAD MACHINERY



ISSUE No.
 N° D'ÉMISSION
 N° DE EDICION 2 REVISION A

CAB HEATER & PLUMBING

AUGUST 1988

FOR LIST OF PARTS - TURN THIS PAGE POUR LA LISTE DES PIÈCES - VOIR AU VERSO PARA LA LISTA DE LAS PIEZAS - VER AL VERSO

EFFECTIVE SERIAL NUMBERS 16806 & UP
 NUMEROS DE SERIE EFFECTIFS
 NUMEROS DE SERIE EFFECTIVOS
 U.S. 2419-2 & UP

700 SERIES
 SERIE 700

SECTION 11 PAGE 13
 SECCION 11 PAGINA 13

USE ONLY CHAMPION ROAD MACHINERY APPROVED PARTS

SECTION SECCION 11		PAGE PAGINA 14	ISSUE No. N° D'ÉMISSION N° DE EDICION 2 REVISION A	CAB HEATER AND PLUMBING			AUGUST 1988		
No. N° N°	PART No. N° DE PIÈCE N° DE PIEZA	DESCRIPTION DÉSCRIPTION DESCRIPCION	No. REQ. N° REQ. N° REQ.	REMARKS REMARQUES NOTAS	No. N° N°	PART No. N° DE PIECE N° DE PIEZA	DESCRIPTION DÉSCRIPTION DESCRIPCION	No. REQ. N° REQ. N° REQ.	REMARKS REMARQUES NOTAS
<u>CAB HEATER</u>					<u>PLUMBING INSTALLATION - 6CT8.3</u>				
1	7319	MOTOR - 12 VOLT	2						
2	11160	CORK	2		39	41161	ELBOW	2	
3	11161	GROMMET	2		40	9513 X 60	HOSE	1	
4	17995	IMPELLER	2		41	9513 X 100	HOSE	1	
5	19530	SWIVEL OUTLET ASSY.	2		42	*22B-12	CLAMP	4	
6	19644	INLET RING	2		43	115A-08	NIPPLE	2	
7	19792	KNOB	1		44	115E-04	PLUG	2	
8	19793	CONTROL & CABLE ASSY.	1		45	115AA-0804	NIPPLE	2	
9	23394	BALL VALVE	1		46	*117B-08	GATE VALVE	2	
10	23395	HEATER CORE	1						
11	23420	DECAL	1						
12	23784	MOTOR - 24 VOLT	2	OPTIONAL					
13	24746	HOUSING	2						
14	24747	PLATE	2		47	9513 X 90	HOSE	1	
15	28547	BOX	1		48	9513 X 110	HOSE	1	
16	28548	GASKET	1		49	*22B-12	CLAMP	4	
17	28551	CORE CLAMP	2		50	115AA-0804	NIPPLE	2	
18	32706	MOUNTING BRACKET	1		51	115J-0808	ELBOW	2	
19	52L-0604	SCREW	4		52	115A-08	NIPPLE	2	
20	32A-06	NUT	4		53	*117B-08	GATE VALVE	2	
21	32D-06	CROWN NUT	4						
22	14F-10	LOCKWASHER	4						
23	33A-10	NUT	4						
24	62A-1006	SCREW	12						
25	70A-0406	SCREW	2						
26	*50A-0504	BOLT	4						
27	*38A-0502	CAGENUT	4						
28	14A-06	LOCKWASHER	4						
29	30A-06	NUT	4						
<u>PLUMBING INSTALLATION - 6BT5.9</u>									
30	41161	ELBOW	2						
31	9513 X 60	HOSE	1						
32	9513 X 100	HOSE	1						
33	*22B-12	CLAMP	4						
34	115AA-0804	NIPPLE	2						
35	115B-1208	REDUCER	1						
36	115E-04	PLUG	2						
37	115A-08	NIPPLE	2						
38	*117B-08	GATE VALVE	2						

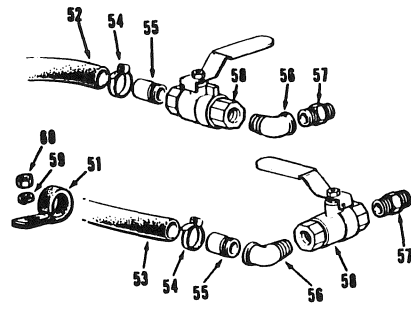
CHAMPION ROAD MACHINERY

EFFECTIVE SERIAL NUMBER(S)
 NUMEROSI DE SERIE EFFECTIV(S)
 NUMEROSI DE SERIE EFFECTIV(S)

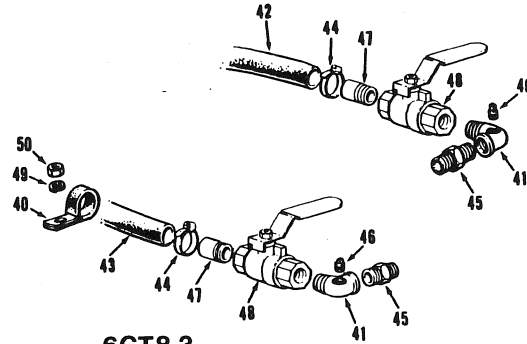
19843 & UP

700 SERIES
 SERIE 700

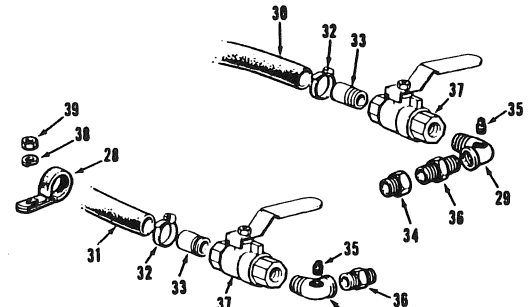
SECTION 11 PAGE 13
 SECCION 11 PAGINA 13



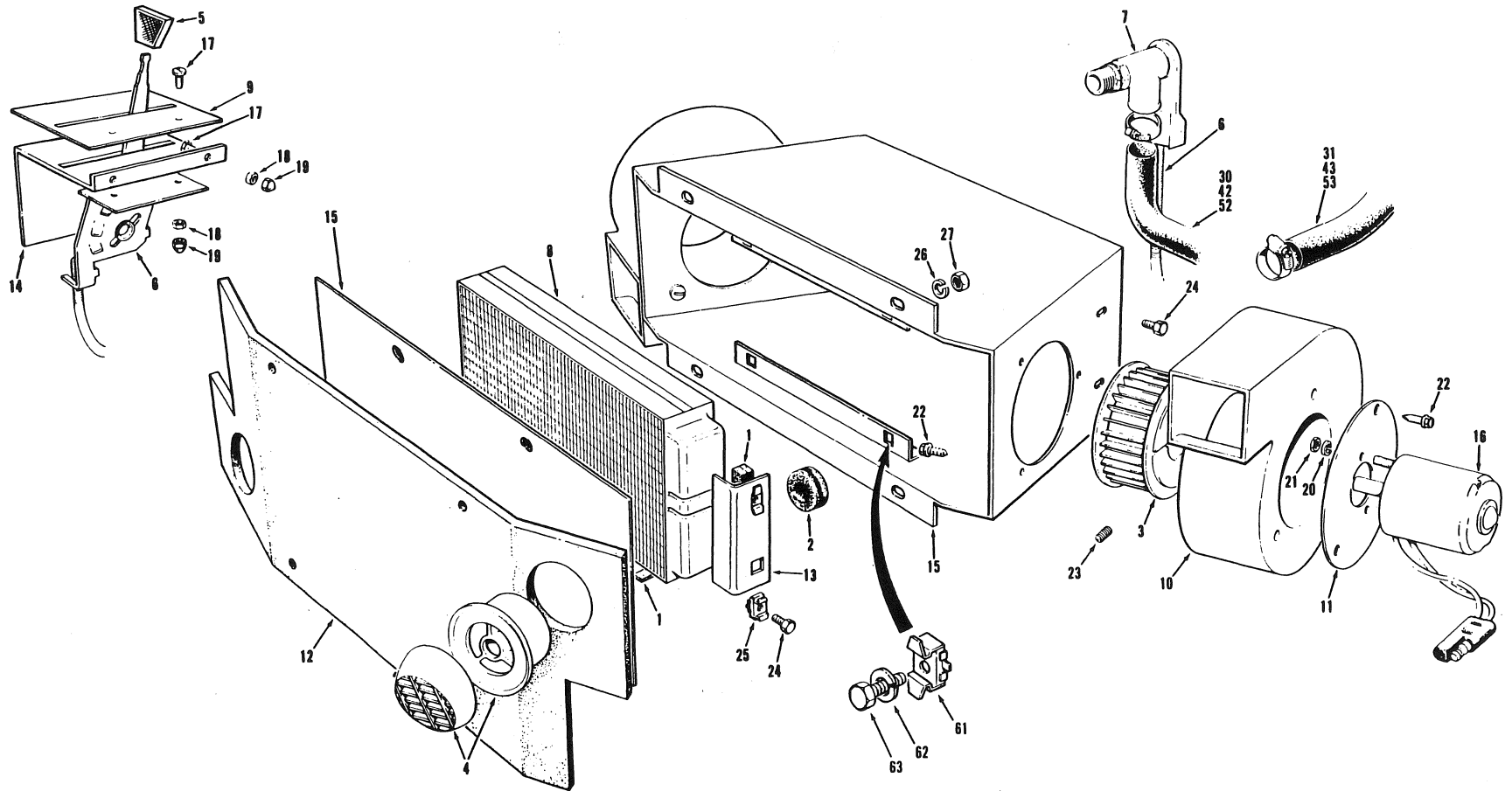
LT-10-C



6CT8.3



6BT5.9



CAB HEATER & PLUMBING

ISSUE No.
 N° D'ÉMISSION
 N° DE EDICION 3 REVISION A

APRIL 1990

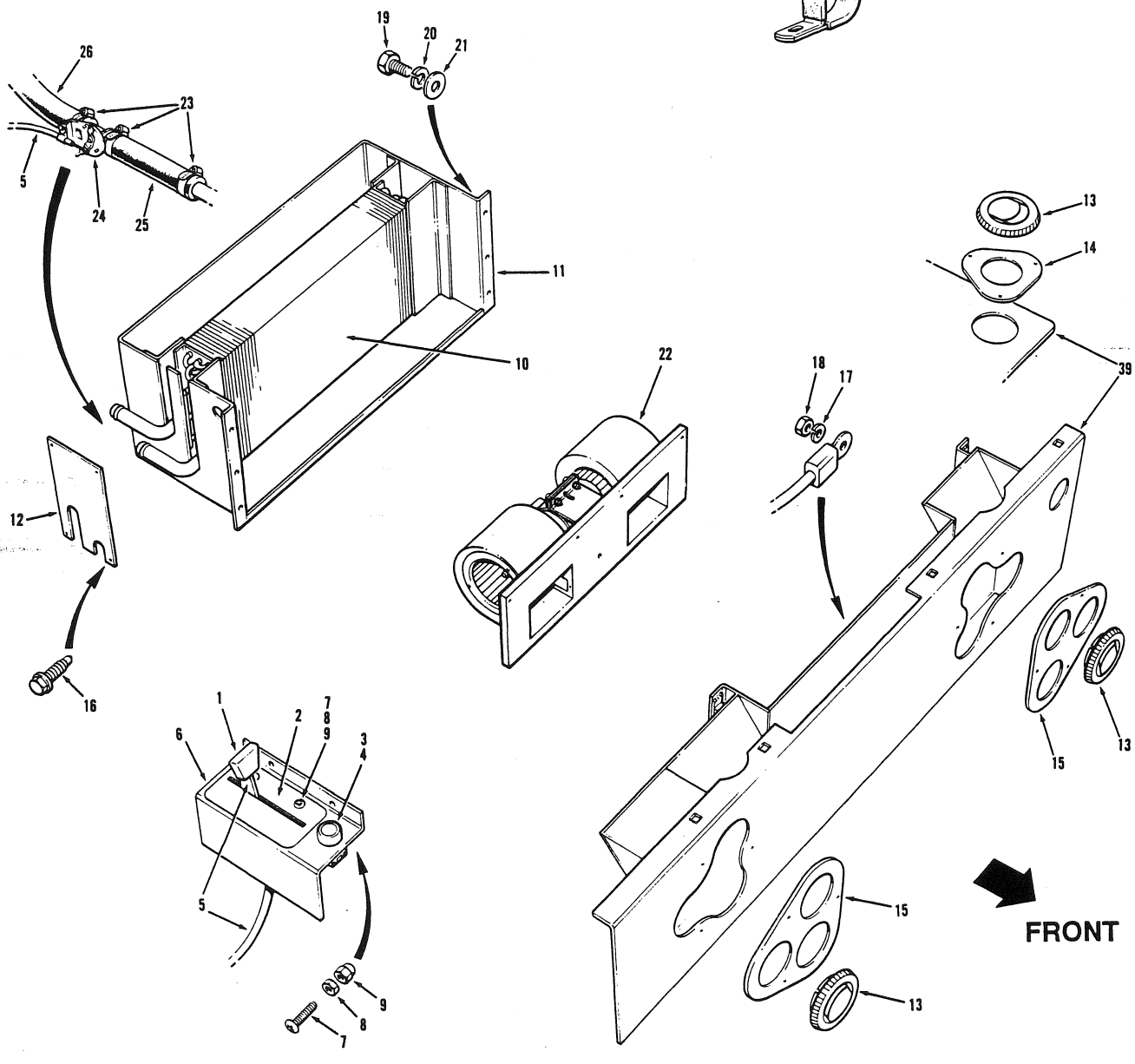
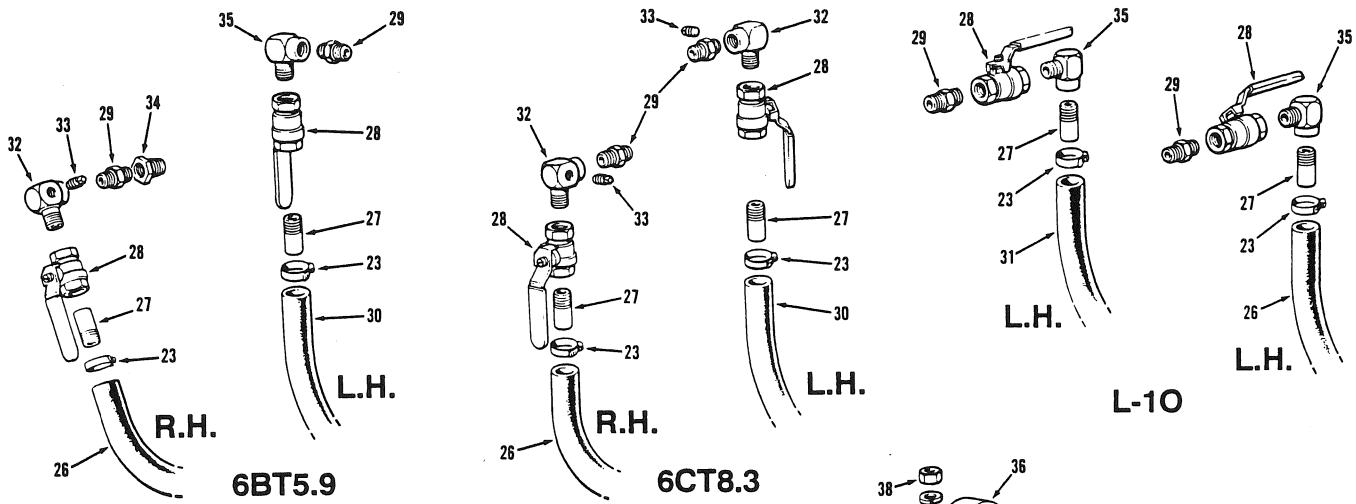
FOR LIST OF PARTS - TURN THIS PAGE

POUR LA LISTE DES PIÈCES - VOIR AU VERSO

PARA LA LISTA DE LAS PIEZAS - VER AL VERSO

USE ONLY CHAMPION ROAD MACHINERY APPROVED PARTS

SECTION 11		PAGE 14		ISSUE No. 3 REVISION A		CAB HEATER & PLUMBING			APRIL 1990	
SECCION 11		PAGINA 14		N° D'ÉMISSION 3 REVISION A		CAB HEATER & PLUMBING			APRIL 1990	
No. N° N°	PART No. N° DE PIÈCE N° DE PIEZA	DESCRIPTION DESCRIPTION DESCRIPCION	No. REQ. N° REQ. N° REQ.	REMARKS REMARQUES NOTAS	No. N° N°	PART No. N° DE PIECE N° DE PIEZA	DESCRIPTION DESCRIPTION DESCRIPCION	No. REQ. N° REQ. N° REQ.	REMARKS REMARQUES NOTAS	
1	11160	CORK	2				PLUMBING - 6CT8.3 - Models 720 thru 730A			
2	11161	GROMMET	2		40	32320	CLAMP	3		
3	17995	IMPELLER	2		41	41161	ELBOW	2		
4	19530	SWIVEL OUTLET ASSEMBLY	2		42	9513 x 60	HOSE	1		
5	19792	KNOB	1		43	9513 x 100	HOSE	1		
6	19793	CONTROL & CABLE ASSEMBLY	1		44	22B-12	CLAMP	2		
7	23394	BALL VALVE	1		45	115A-0808	NIPPLE	2		
8	*55221	HEATER CORE	1		46	115E-04	PLUG	2		
9	23420	DECAL	1		47	115AA-0804	NIPPLE	2		
10	24746	HOUSING	2		48	117B-08	GATE VALVE	2		
11	24747	PLATE	2		49	14A-06	LOCKWASHER	3		
12	28548	GASKET	1		50	30A-06	NUT	3		
13	28551	CORE CLAMP	2							
14	32706	MOUNTING BRACKET	1				PLUMBING - L-10 - Models 740 thru 780A			
15	*54406	BOX	1							
	*54408	BAFFLE PLATE	1		51	32320	CLAMP	2		
16	48925	MOTOR - 12 VOLT	2		52	9315 x 60	HOSE	1		
	*54081	MOTOR - 24 VOLT	2		53	9313 x 110	HOSE	1		
	*55123	HI-SPEED HEATER MOTOR KIT - INCLUDES: QTY. 2- 48925 MOTORS QTY. 1 - 53047 CIRCUIT BREAKER QTY. 1 - 32375 HARNESS	1		54	22B-12	CLAMP	4		
					55	115AA-0804	NIPPLE	2		
					56	115J-0808	ELBOW	2		
					57	115A-0808	NIPPLE	2		
17	52L-0604	SCREW	4		59	14A-06	LOCKWASHER	2		
18	32A-06	NUT	4		60	30A-06	NUT	2		
19	32D-06	CROWN NUT	4							
20	14F-10	LOCKWASHER	4							
21	33A-10	NUT	4							
22	62A-1006	SCREW	12							
23	70A-0406	SCREW	2							
24	50A-0504	BOLT	4							
25	38A-0502	CAGE NUT	4							
26	14A-06	LOCKNUT	4							
27	30A-06	NUT	4							
		PLUMBING - 6BT5.9 - Models 710/710A								
28	32320	CLAMP	2		61	*38A-0402	CAGE NUT	4		
29	41161	ELBOW	2		62	*14A-04	LOCKWASHER	4		
30	9513 x 60	HOSE	1		63	*50A-0406	BOLT	4		
31	9513 x 100	HOSE	1							
32	22B-12	CLAMP	4							
33	115AA-0804	NIPPLE	2							
34	115B-1208	REDUCER	1							
35	115E-04	PLUG	2							
36	115E-0808	NIPPLE	2							
37	117B-08	GATE VALVE	2							
38	14A-06	LOCKWASHER	2							
39	30A-06	NUT	2							



NOVEMBER 1991

CAB HEATER & PLUMBING

FOR LIST OF PARTS - TURN THIS PAGE POUR LA LISTE DES PIÈCES - VOIR AU VERSO PARA LA LISTA DE LAS PIEZAS - VER AL VERSO

ISSUE No.
N° D'ÉMISSION
N° DE EDICIÓN

EFFECTIVE SERIAL NUMBER(S) 21911 & UP
 NUMERO(S) DE SÉRIE EFFECTIF(S)
 NUMERO(S) DE SÉRIE EFECTIVO(S)

700 SERIES
 SERIE 700

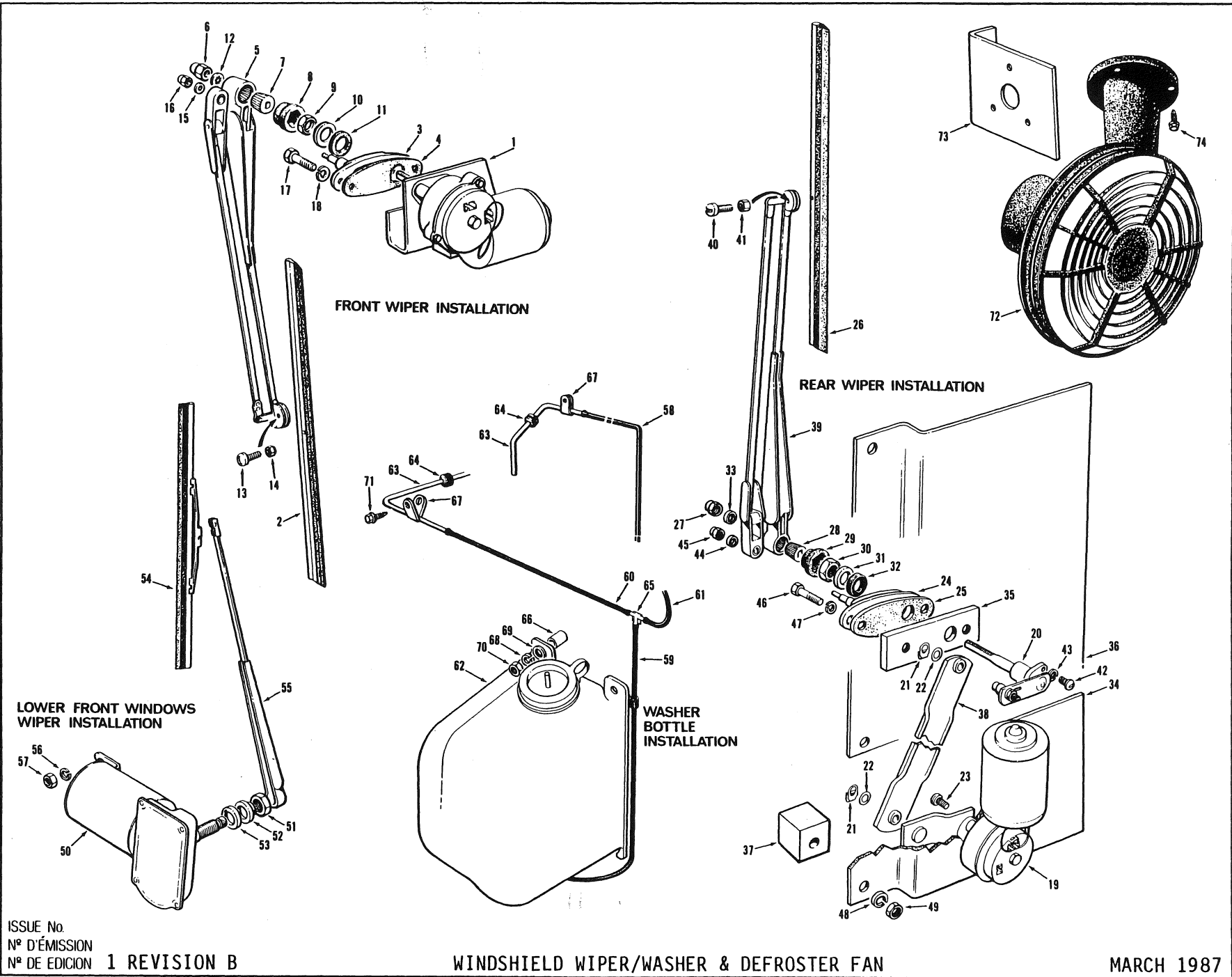
SECTION 11 PAGE 13
 SECCION 11 PAGINA 13

SECTION 11		PAGE 14		ISSUE No. 4		CAB HEATER & PLUMBING			NOVEMBER 1991		
SECCION 11		PAGINA 14		N° D'ÉMISSION 4							
No. N°	PART No. N° DE PIÈCE	DESCRIPTION DESCRIPTION	No. REQ. N° REQ.	REMARKS REMARQUES	No. N°	PART No. N° DE PIÈCE	DESCRIPTION DESCRIPTION	No. REQ. N° REQ.	REMARKS REMARQUES		
Nº	Nº DE PIEZA	DESCRIPCION	Nº REQ.	NOTAS	Nº	Nº DE PIEZA	DESCRIPCION	Nº REQ.	NOTAS		
1	19792	KNOB - HEATER CONTROL	1								
2	23420	DECAL	1								
3	65011	KNOB - HEATER SWITCH	1								
4	65012	SWITCH	1								
5	65013	CONTROL LEVER & CABLE ASSEMBLY	1								
6	65111	MOUNTING BRACKET	1								
7	52J-0604	SCREW	4								
8	32A-06	NUT	4								
9	32D-06	CROWN NUT	4								
10	65042	HEATER CORE	1								
11	65047	HEATER BOX	1								
12	65080	COVER	1								
13	65009	LOUVRE	9								
14	65441	SPACER	3								
15	65442	ADAPTER	2								
16	62A-1006	SCREW	21								
17	14A-04	LOCKWASHER	1								
18	30A-04	NUT	1								
19	50A-0508	BOLT	6								
20	14A-05	LOCKWASHER	6								
21	14C-05	FLATWASHER	6								
	65103	HARNES - HEATER MOTOR	1								
22	65024	FAN ASSEMBLY	1								
		PLUMBING INSTALLATIONS									
23	22B-12	CLAMP	6								
24	65014	VALVE	1								
25	9513X60	HOSE	1								
27	115AA-0804	NIPPLE	2								
28	117B-08	GATE VALVE	2								
29	115A-0808	NIPPLE	2								
30	9313x100	HOSE	1	710 thru 730A							
31	9313x110	HOSE	1	740 thru 780A							
32	41161	ELBOW	1	710/710A							
			2	720 thru 730A							
33	115E-04	PLUG	1	710/710A							
			2	720 thru 730A							
34	115B-1208	REDUCER	1	710/710A							
35	115J-0808	ELBOW	1	710/710A							
			2	740 thru 780A							
36	32320	CLAMP	1, 2 or 3								
37	14A-06	LOCKWASHER	1, 2 or 3								
38	30A-06	NUT	1, 2 or 3								
39		CAB ASSEMBLY	REF.	Sect 11 PgS 1 & 3							

EFFECTIVE SERIAL NUMBERS 16224, 16245 UP TO 16885
 NUMEROS DE SERIE EFFECTIFS 16888 TO 16893
 NUMEROS DE SERIE EFECTIVOS

700 SERIES
 SERIE 700

SECTION 11 PAGE 15
 SECTION 11 PAGINA 15



ISSUE No. 1 REVISION B
 N° D'ÉMISSION
 N° DE EDICION

WINDSHIELD WIPER/WASHER & DEFROSTER FAN

MARCH 1987

FOR LIST OF PARTS - TURN THIS PAGE POUR LA LISTE DES PIÈCES - VOIR AU VERSO PARA LA LISTA DE LAS PIEZAS - VER AL VERSO

USE ONLY CHAMPION ROAD MACHINERY APPROVED PARTS

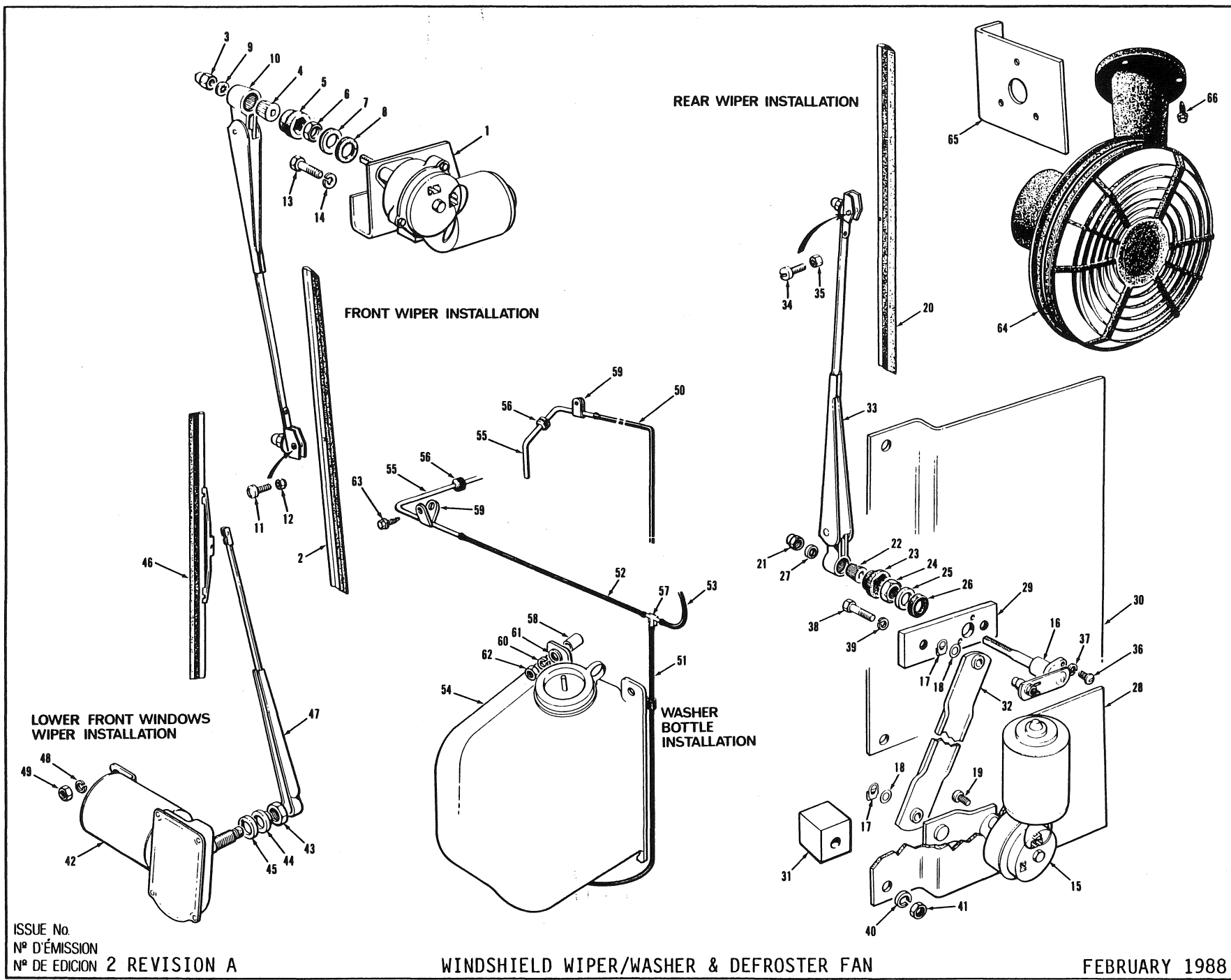
SECTION SECCION		PAGE PAGINA		ISSUE No. N° D'ÉMISSION N° DE EDICION		1 REVISION B		WINDSHIELD WIPER/WASHER & DEFROSTER FAN			MARCH 1987	
No. N° N°	PART No. N° DE PIÈCE N° DE PIEZA	DESCRIPTION DESCRIPTION DESCRIPCION	No. REQ. N° REQ. N° REQ.	REMARKS REMARQUES NOTAS	No. N° N°	PART No. N° DE PIECE N° DE PIEZA	DESCRIPTION DESCRIPTION DESCRIPCION	No. REQ. N° REQ. N° REQ.	REMARKS REMARQUES NOTAS			
<u>FRONT WIPER INSTALLATION</u>												
1	*28684	WIPER MOTOR - 12 VOLT - C/W ITEMS 6 TO 12	1		40	53N-0605	SCREW	1				
2	14394	WIPER BLADE - 20"	1		41	35B-06	LOCKNUT	1				
3	19888	PANTOGRAPH KIT - C/W ITEMS 4,15 & 16	1		42	52J-0803	SCREW	2				
4		GASKET	1		43	14F-08	LOCKWASHER	2				
5	19964	WIPER ARM - C/W ITEMS 13 & 14	1		44	14G-10	FLATWASHER	1				
6	23234	NUT	1		45	33D-10	NUT	1				
7	23235	ADAPTER	1		46	50A-0404	BOLT	2				
8	23236	GROMMET	1		47	14A-04	LOCKWASHER	2				
9	23238	JAM NUT	1		48	14A-05	LOCKWASHER	4				
10	23239	FLATWASHER	1		49	30A-05	NUT	4				
11	23240	GASKET	1		<u>FRONT LOWER WINDOW WIPER INSTALLATION</u>							
12	23715	WASHER	1		50	10829	WIPER MOTOR - 12 VOLT C/W ITEMS 51 TO 53	2				
13	53N-0605	SCREW	1		51	23241	JAM NUT	2				
14	35B-06	LOCKNUT	1		52	23242	WASHER	2				
15	14G-10	LOCKWASHER	1		53	23243	GASKET	2				
16	33D-10	NUT	1		54	23245	WIPER - BLADE	2				
17	51A-0408	BOLT	2		55	1163-1	WIPER - ARM	2				
18	14A-04	LOCKWASHER	2		56	14A-05	LOCKWASHER	2				
<u>REAR WIPER INSTALLATION</u>												
19	*26912	WIPER MOTOR - 12 VOLT - C/W ITEMS 20 TO 24 & 28 TO 33	1		57	30A-05	NUT	2				
20		PIVOT SHAFT ASSY. } NOT AVAILABLE SEPARATELY	1		<u>WASHER INSTALLATION</u>							
21		SPRING CLIP	2		58	23390 X 164	TUBE - FRONT INSTALLATION ONLY	1				
22		WASHER	2		59	18865 X 12	TUBE - FRONT/REAR INSTALLATION	1				
23		SCREW	3		60	23390 X 8	TUBE - FRONT/REAR INSTALLATION	1				
24	19888	PANTOGRAPH KIT - C/W ITEMS 25,44 & 45	1		61	23390 X 164	TUBE - FRONT/REAR INSTALLATION	1				
25		GASKET	1		62	19891	WASHER UNIT - 12 VOLT - C/W PUMP	1				
26	*19965	WIPER BLADE - 22"	1		63	23280	NOZZLE	1-2				
27	23234	NUT	1		64	23281	GROMMET	1-2				
28	23235	ADAPTER	1		65	23282	TEE	1				
29	23236	GROMMET	1		66	23290	SPACER	4				
30	23238	JAM NUT	1		67	23315	CLAMP	3				
31	23239	FLATWASHER	1		68	14A-04	LOCKWASHER	4				
32	23240	GASKET	1		69	14C-04	FLATWASHER	4				
33	23715	WASHER	1		70	30A-04	NUT	4				
34	26913-1	MOUNTING BRACKET	1		71	62A-1006	SCREW	3				
35	26913-2	MOUNTING PLATE	1		<u>DEFROSTER FAN INSTALLATION</u>							
36	32428-1	COVER PLATE	1		72	14141	DEFROSTER FAN - 12 VOLT	1				
37	32428-3	SPACER TUBE	1		73	28818	MOUNTING BRACKET	1	REPAIR PART			
38	32431	LINKAGE ARM	1		74	62A-1006	SCREW	2				
39	*19964	WIPER ARM - C/W ITEMS 40 & 41	1									

CHAMPION ROAD MACHINERY

EFFECTIVE SERIAL NUMBER(S) 16886, 16887 & 16894 & UP
 NUMEROS (S) DE SERIE EFFECTIF(S)
 NUMEROS (S) DE SERIE EFECTIVOS
 U.S. 2411-2 & UP

700 SERIES
 SERIE 700

SECTION 11 PAGE 15
 SECCION 11 PAGINA 15



ISSUE No.
 N° D'ÉMISSION
 N° DE EDICION 2 REVISION A

WINDSHIELD WIPER/WASHER & DEFROSTER FAN

FEBRUARY 1988

FOR LIST OF PARTS - TURN THIS PAGE

POUR LA LISTE DES PIÈCES - VOIR AU VERSO

PARA LA LISTA DE LAS PIEZAS - VER AL VERSO

USE ONLY CHAMPION ROAD MACHINERY APPROVED PARTS

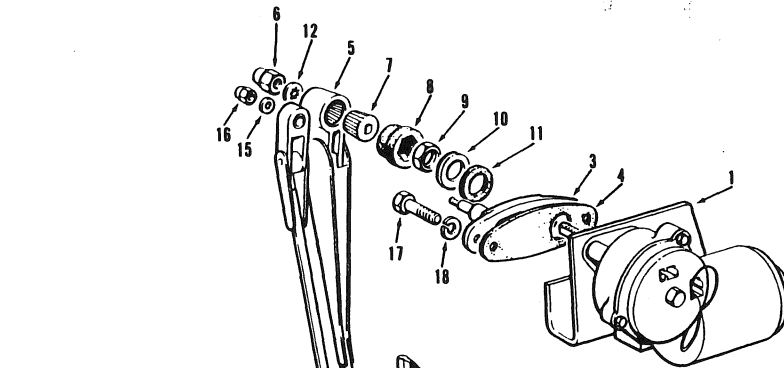
SECTION SECCION		PAGE PAGINA		ISSUE No. N° D'ÉMISSION N° DE EDICION		2 REVISION A		WINDSHIELD WIPER/WASHER & DEFROSTER FAN		FEBRUARY 1988	
No. N° N°	PART No. N° DE PIÈCE N° DE PIEZA	DESCRIPTION DÉSCRIPTION DESCRIPCION	No. REQ. N° REQ. N° REQ.	REMARKS REMARQUES NOTAS	No. N° N°	PART No. N° DE PIÈCE N° DE PIEZA	DESCRIPTION DÉSCRIPTION DESCRIPCION	No. REQ. N° REQ. N° REQ.	REMARKS REMARQUES NOTAS		
<u>FRONT WIPER INSTALLATION</u>											
1	42276	WIPER MOTOR - 12 VOLT - C/W ITEMS 3 TO 9	1		34	53N-0605	SCREW	1			
	*34285	WIPER MOTOR - 24 VOLT - C/W ITEMS 3 TO 9	1		35	35B-06	LOCKNUT	1			
2	14394	WIPER BLADE - 20"	1		36	52J-0803	SCREW	2			
3	23234	NUT	1		37	14F-08	LOCKWASHER	2			
4	23235	ADAPTER	1		38	50A-0404	BOLT	2			
5	23236	GROMMET	1		39	14A-04	LOCKWASHER	2			
6	23238	JAM NUT	1		40	14A-05	LOCKWASHER	4			
7	23239	FLATWASHER	1		41	30A-05	NUT	4			
8	23240	GASKET	1		<u>FRONT LOWER WINDOW WIPER INSTALLATION</u>						
9	23715	WASHER	1		42	10829	WIPER MOTOR - 12 VOLT C/W ITEMS 43 TO 45	2			
10	36752	WIPER ARM - C/W ITEMS 11 & 12	1		43	23241	JAM NUT	2			
11	53N-0605	SCREW	1		44	23242	WASHER	2			
12	35B-06	LOCKNUT	1		45	23243	GASKET	2			
13	51A-0404	BOLT	2		46	23245	WIPER - BLADE	2			
14	14A-04	LOCKWASHER	2		47	1163-1	WIPER - ARM	2			
<u>REAR WIPER INSTALLATION</u>											
15	42436	WIPER MOTOR - 12 VOLT - C/W ITEMS 16 TO 19 & 22 TO 27	1		48	14A-05	LOCKWASHER	2			
	*34287	WIPER MOTOR - 24 VOLT - C/W ITEMS 16 TO 19 & 22 TO 27	1		49	30A-05	NUT	2			
16		PIVOT SHAFT ASSY. } NOT AVAILABLE SEPARATELY	1		<u>WASHER INSTALLATION</u>						
17		SPRING CLIP	2		50	23390 X 164	TUBE - FRONT INSTALLATION ONLY	1			
18		WASHER	2		51	18865 X 12	TUBE - FRONT/REAR INSTALLATION	1			
19		SCREW	3		52	23390 X 8	TUBE - FRONT/REAR INSTALLATION	1			
20	14394	WIPER BLADE - 20"	1		53	23390 X 164	TUBE - FRONT/REAR INSTALLATION	1			
21	23234	NUT	1		54	19891	WASHER UNIT - 12 VOLT - C/W PUMP	1			
22	23235	ADAPTER	1			*34291	WASHER UNIT - 24 VOLT - C/W PUMP	1			
23	23236	GROMMET	1		55	23280	NOZZLE	1-2			
24	23238	JAM NUT	1		56	23281	GROMMET	1-2			
25	23239	FLATWASHER	1		57	23282	TEE	1			
26	23240	GASKET	1		58	23290	SPACER	4			
27	23715	WASHER	1		59	23315	CLAMP	3			
28	26913-1	MOUNTING BRACKET	1		60	14A-04	LOCKWASHER	4			
29	26913-2	MOUNTING PLATE	1		61	14C-04	FLATWASHER	4			
30	32428-1	COVER PLATE	1		62	30A-04	NUT	4			
31	32428-3	SPACER TUBE	1		63	62A-1006	SCREW	3			
32	32431	LINKAGE ARM	1		<u>DEFROSTER FAN INSTALLATION</u>						
33	36752	WIPER ARM - C/W ITEMS 34 & 35	1		64	14141	DEFROSTER FAN - 12 VOLT	1			
						*14259	DEFROSTER FAN - 24 VOLT	1			
					65	28818	MOUNTING BRACKET	1	REPAIR PART		
					66	62A-1006	SCREW	2			

EFFECTIVE SERIAL NUMBERS(S)
 NUMEROS(S) DE SÉRIE EFFECTIF(S)
 NUMEROS(S) DE SÉRIE EFECTIVOS(S)

19694 to 19923

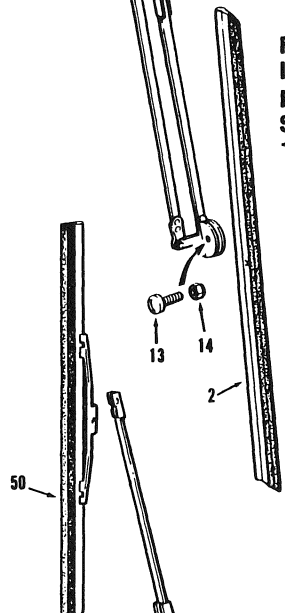
700 SERIES
 SERIE 700

SECTION 11 PAGE 15
 SECCION 11 PAGINA 15

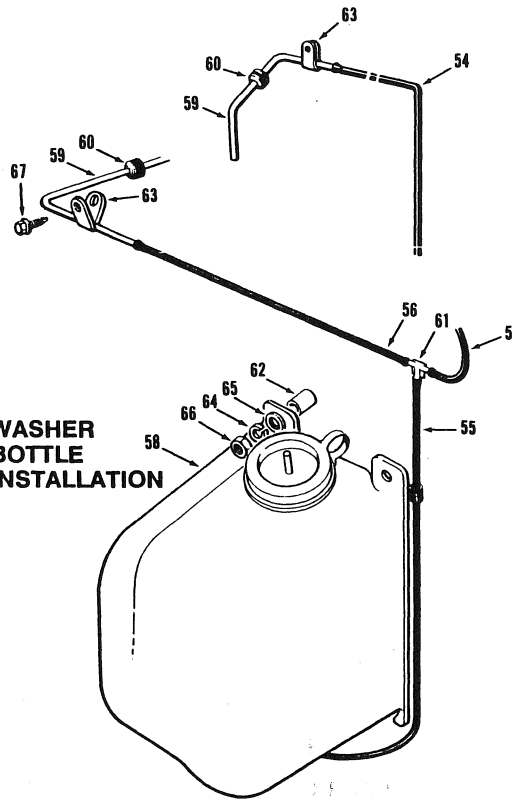
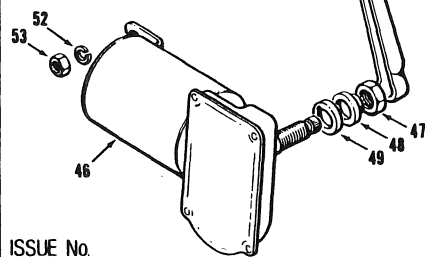


FRONT & REAR WIPER INSTALLATION

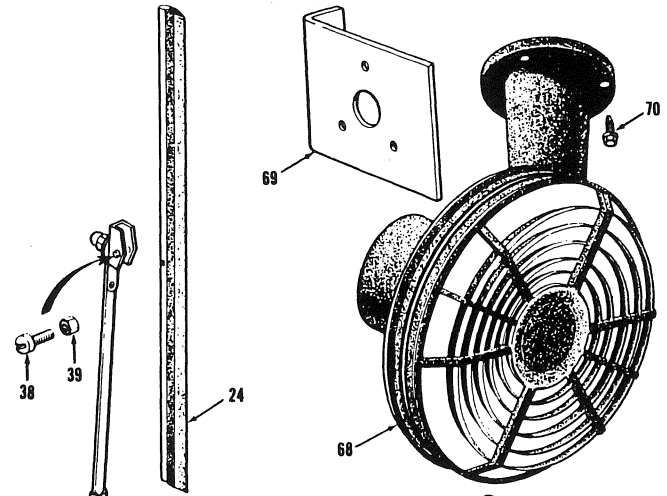
Rear Wiper Installation -
 S/N 19850, 19855 to 19857,
 19859 & UP



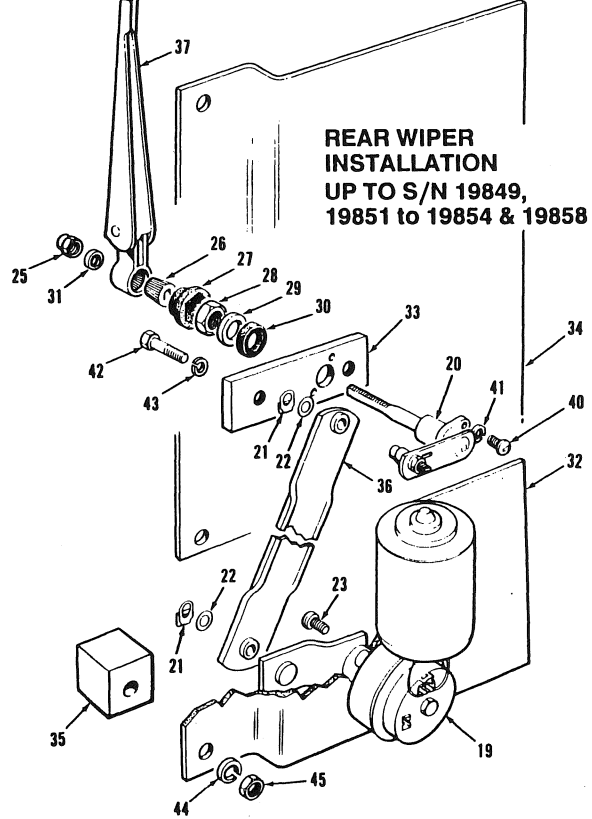
LOWER FRONT WINDOW WIPER INSTALLATION



WASHER BOTTLE INSTALLATION



REAR WIPER INSTALLATION UP TO S/N 19849, 19851 to 19854 & 19858



WINDSHIELD WIPER/WASHER & DEFROSTER FAN

ISSUE No.
 N° D'ÉMISSION
 N° DE EDICION 3

USE ONLY CHAMPION APPROVED PARTS

JUNE 1989

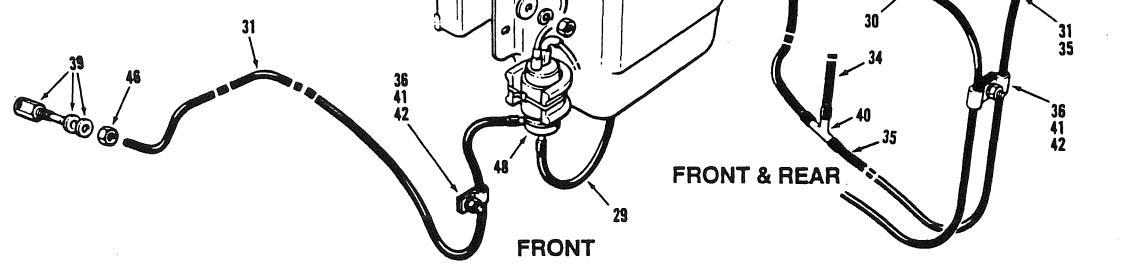
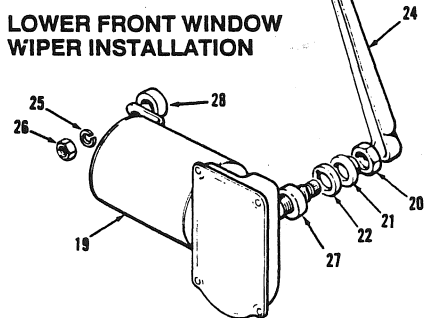
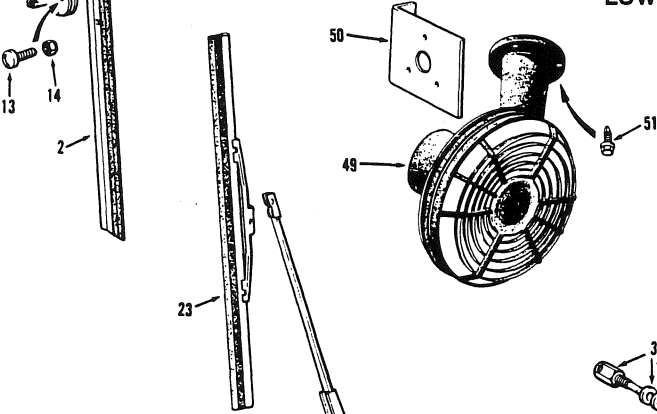
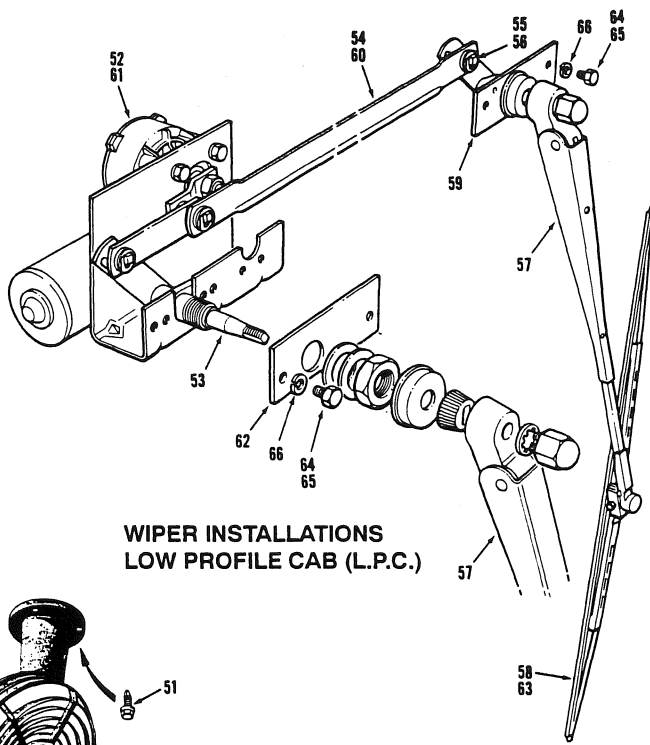
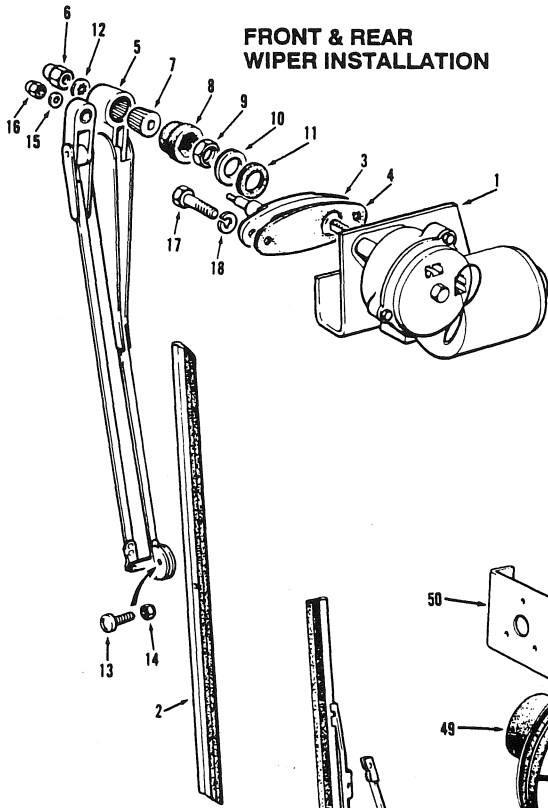
FOR LIST OF PARTS - TURN THIS PAGE

POUR LA LISTE DES PIÈCES - VOIR AU VERSO

PARA LA LISTA DE LAS PIEZAS - VER AL VERSO

SECTION SECCION	11	PAGE PAGINA	16	ISSUE No. N° D'ÉMISSION N° DE EDICION	3	WINDSHIELD WIPER/WASHER & DEFROSTER FAN				JUNE 1989
No. N° N°	PART No. N° DE PIÈCE N° DE PIEZA	DESCRIPTION DESCRIPTION DESCRIPCION	No. REQ. N° REQ. N° REQ.	REMARKS REMARQUES NOTAS	No. N° N°	PART No. N° DE PIÈCE N° DE PIEZA	DESCRIPTION DESCRIPTION DESCRIPCION	No. REQ. N° REQ. N° REQ.	REMARKS REMARQUES NOTAS	
		FRONT & REAR WIPER INSTALLATION		REAR WIPER			LOWER FRONT WINDOW WIPER INSTALLATION			
1	28684	WIPER MOTOR - 12 VOLT - C/W ITEMS 6 TO 12	1	INSTALLAT'N			NOTE: CONTROL LEVER PEDESTAL REQUIRES MODIFICATION FOR NEW INSTALLATIONS. SEE PRODUCT SUPPORT BULLETIN NO. 496			
	34285	WIPER MOTOR - 24 VOLT - C/W ITEMS 6 TO 12	1	S/N 19850,						
2	14394	WIPER BLADE - 20"	1	19855 to						
3	19888	PANTOGRAPH KIT - C/W ITEMS 4, 15 & 16	1	19857, 19859	46	10829	WIPER MOTOR - 12 VOLT C/W ITEMS 47 TO 49	2		
4		GASKET	1	& UP	47	23241	JAM NUT	2		
5	19964	WIPER ARM - C/W ITEMS 13 & 14	1		48	23242	WASHER	2		
6	23234	NUT	1		49	23242	WASHER	2		
7	23235	ADAPTER	1		50	23245	WIPER BLADE	2		
8	23236	GROMMET	1		51	1163-1	WIPER ARM	2		
9	23238	JAM NUT	1		52	14A-05	LOCKWASHER	2		
10	23239	FLATWASHER	1		53	30A-05	NUT	2		
11	23240	GASKET	1				WASHER BOTTLE INSTALLATION			
12	23715	WASHER	1				TUBE - FRONT INSTALLATION ONLY	1		
13	53N-0605	SCREW	1		54	23390 X 164	TUBE - FRONT/REAR INSTALLATION	1		
14	35B-06	LOCKNUT	1		55	18865 X 12	TUBE - FRONT/REAR INSTALLATION	1		
15	*14G-10	LOCKWASHER	1		56	23370 X 8	TUBE - FRONT/REAR	1		
16	*33D-10	NUT	1		57	23390 X 164	WASHER UNIT - 12 VOLT - C/W PUMP	1		
17	*51A-0406ZI	BOLT	2		58	19891	WASHER UNIT - 24 VOLT - C/W PUMP	1		
18	*14A-04ZI	LOCKWASHER	2		59	34291	NOZZLE	1-2		
		REAR WIPER INSTALLATION		UP TO S/N	60	23280	GROMMET	1-2		
19	42436	WIPER MOTOR - 12 VOLT - C/W ITEMS 20 TO 23, 26 TO 31	1	19849,19851	61	23281	TEE	1		
	34287	WIPER MOTOR - 24 VOLT C/W ITEMS 20 TO 23, 26 TO 31	1	to 19854, & 19858	62	23282	SPACER	4		
		PIVOT SHAFT ASSEMBLY	1		63	23290	CLAMP	3		
21		SPRING CLIP	2		64	23315	LOCKWASHER	4		
22		WASHER	2		65	14A-04	FLATWASHER	4		
23		SCREW	3		66	14C-04	NUT	4		
24	14394	WIPER BLADE - 20"	1		67	30A-04	NUT	4		
25	23234	NUT	1			62A-1006	SCREW	3		
26	23235	ADAPTER	1				DEFROSTER FAN INSTALLATION			
27	23236	GROMMET	1		68	14141	DEFROSTER FAN - 12 VOLT	1		
28	23238	JAM NUT	1			14259	DEFROSTER FAN - 24 VOLT	1		
29	23239	FLATWASHER	1		69	28818	MOUNTING BRACKET	1	REPAIR PART	
30	23240	GASKET	1		70	62A-1006	SCREW	2		
31	23715	WASHER	1							
32	26913-1	MOUNTING BRACKET	1							
33	26913-2	MOUNTING PLATE	1							
34	32428-1	COVER PLATE	1							
35	32428-3	SPACER	1							
36	32431	LINKAGE ARM	1							
37	36752	WIPER ARM - C/W ITEMS 38 & 39	1							
38	53N-0605	SCREW	1							
39	35B-06	LOCKNUT	1							
40	5AJ-0803	SCREW	2							
41	14F-08	LOCKWASHER	2							
42	50A-0404	LOCKWASHER	2							
43	14A-04	LOCKWASHER	4							
44	14A-05	LOCKWASHER	4							
45	30A-05	NUT	4							

NOT AVAILABLE
SEPARATELY



EFFECTIVE SERIAL NUMBER(S) 19924 & UP
 NUMERO(S) DE SÉRIE EFFECTIF(S)
 NUMERO(S) DE SERIE EFECTIVO(S)

700 SERIES
SERIE 700

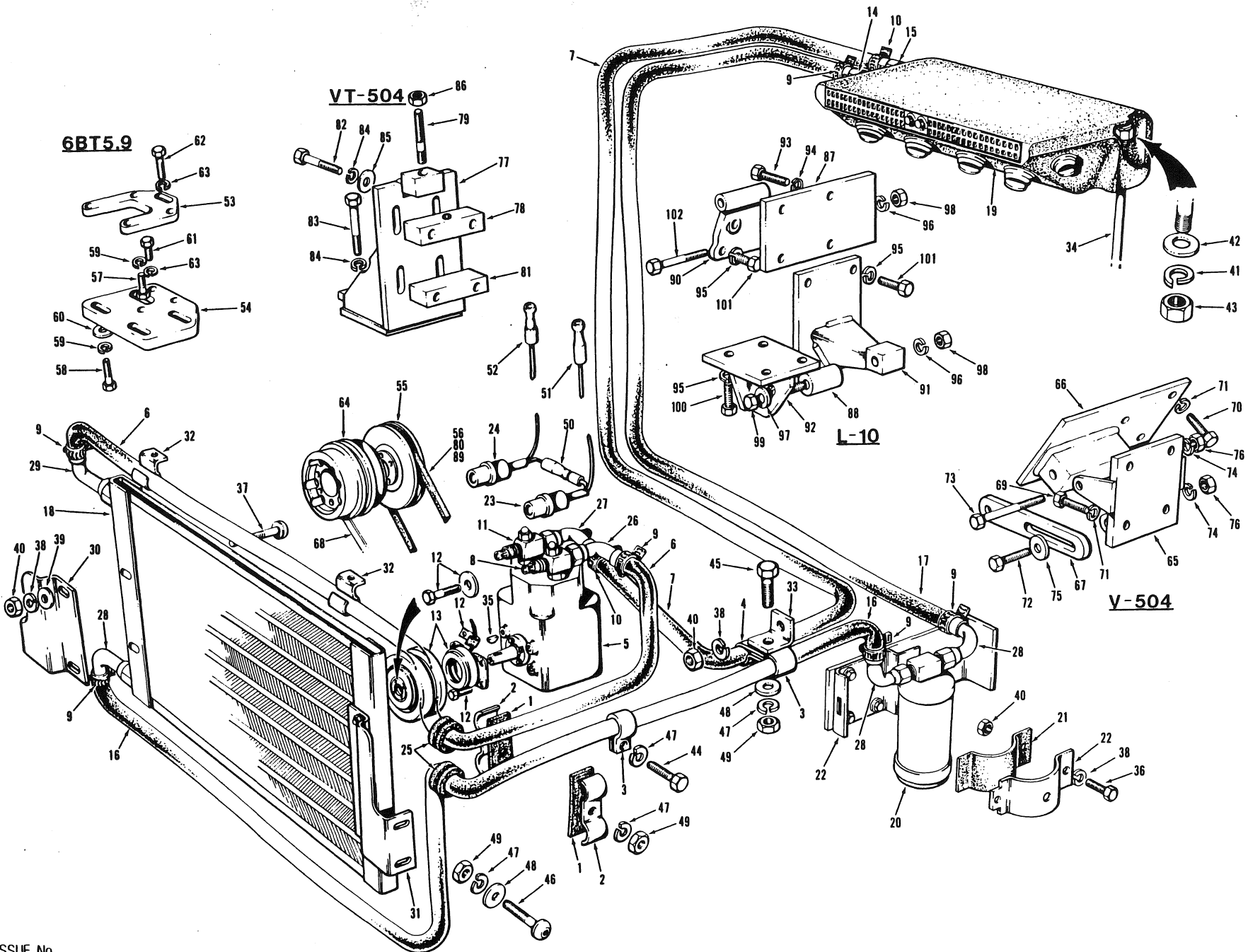
SECTION 11 PAGE 15
SECCION 11 PAGINA 15

SECTION SECCION		PAGE PAGINA		ISSUE No. N° D'ÉMISSION N° DE EDICION		4 REVISION D			WINDSHIELD WIPER/WASHER & DEFROSTER FAN			JULY1991		
No. N° N°	PART No. N° DE PIÈCE N° DE PIEZA	DESCRIPTION DÉSCRIPTION DESCRIPCION	No. REQ N° REQ. N° REQ.	REMARKS REMARQUES NOTAS	No. N° N°	PART No. N° DE PIÈCE N° DE PIEZA	DESCRIPTION DÉSCRIPTION DESCRIPCION	No. REQ N° REQ. N° REQ.	REMARKS REMARQUES NOTAS					
FRONT & REAR WIPER INSTALLATION										43	14A-05	LOCKWASHER	4	
1	28684	WIPER MOTOR - 12 VOLT - C/W ITEMS 6 to 12	1		44	14C-05	FLATWASHER	4						
	34285	WIPER MOTOR - 24 VOLT - C/W ITEMS 6 to 12	1		45	30A-05	NUT	4						
2	55259	WIPER BLADE - 20"	1		46	30A-06	NUT	4 - 6						
3	19888	PANTOGRAPH KIT - C/W ITEMS 4, 15 & 16	1		47	54631	CAP	1						
4		GASKET	1		48	54632	PUMP	1-2						
5	19964	WIPER ARM - C/W ITEMS 13 & 14	1		DEFROSTER FAN INSTALLATION									
6	23234	NUT	1		49	57984	DEFROSTER FAN - 12 VOLT	1						
7	23235	ADAPTER	1			14259	DEFROSTER FAN - 24 VOLT	1						
8	23236	GROMMET	1		50	28818	MOUNTING BRACKET	1	Repair Part					
9	23238	JAM NUT	1		51	62A-1006	SCREW	2						
10	23239	FLATWASHER	1		WIPER INSTALLATIONS									
11	23240	GASKET	1		LOW PROFILE CAB (L.P.C.)									
12	23715	WASHER	1		52	38446	WIPER MOTOR - FRONT	1						
13	53N-0605	SCREW	1		53	38447	SHAFT	2						
14	35B-06	LOCKNUT	1		54	38448	LINK - FRONT	1						
15	14G-10	LOCKWASHER	1		55	38449	WASHER	3						
16	33D-10	NUT	1		56	38450	SPRING CLIP	3						
17	51A-0406Zi	BOLT	2		57	38451	WIPER ARM - REAR	1						
18	14A-0421	LOCKWASHER	2			65001	WIPER ARM - FRONT	1						
LOWER FRONT WINDOW WIPER INSTALLATION														
NOTE: CONTROL LEVER PEDESTAL REQUIRES MODIFICATION FOR NEW INSTALLATIONS. SEE PRODUCT SUPPORT BULLETIN NO. 496														
19	10829	WIPER MOTOR - 12 VOLT C/W ITEMS 20 to 22	2		58	38452	WIPER BLADE - REAR	2						
20	23241	JAM NUT	2		59	57389	PLATE	1						
21	23242	WASHER	2		60	57484	LINK - REAR	1						
22	23243	GASKET	2		61	57485	WIPER MOTOR - REAR	1						
23	57001	WIPER - BLADE	2		62	57640	SPACER	1						
24	57000	WIPER - ARM	2		63	57789	WIPER BLADE - FRONT	2						
25	14A-05	LOCKWASHER	2		64	51A-0404Zi	BOLT - FRONT	4						
26	30A-05	NUT	2		65	51A-0406Zi	BOLT - REAR	4						
27	*52450	SPACER	1		66	14A-04Zi	LOCKWASHER	4						
28	*52451	SPACER	1		WASHER BOTTLE INSTALLATION									
29	18865 x 7	HOSE	1 - 2											
30	18865 x 252	HOSE - REAR	1											
31	18865 x 274	HOSE - FRONT	1											
32	*18865 x 36	HOSE - FRONT	2											
33	*18865 x 75	HOSE - FRONT	1											
34	*18865 x 136	HOSE - FRONT	1											
35	*18865 x 108	HOSE - FRONT	1											
36	32316	CLAMP	3 - 7											
37	53004	WASHER UNIT - FRONT - 12 VOLT - INCLUDES ITEMS 29, 47 & 48	1											
38	53005	WASHER UNIT - FRONT/REAR - 12 VOLT - INCLUDES ITEMS 29, 47 & 48	1											
39	53012	NOZZLE	1 - 2 - 4											
40	*56187	TEE	2											
41	14A-04	LOCKWASHER	3											
42	30A-04	NUT	3											

EFFECTIVE SERIAL NUMBER(S) 16224, 16245 TO 16806
 NUMERO(S) DE SERIE EFFECTIF(S)
 NUMERO(S) DE SERIE EFFECTIVO(S)
 U.S. 2021-2 TO 2418-2

700 SERIES
 SERIE 700

SECTION 11 PAGE
 SECTION 11 PAGINA 17



ISSUE No.
 N° D'ÉMISSION
 N° DE EDICION 1 REVISION A

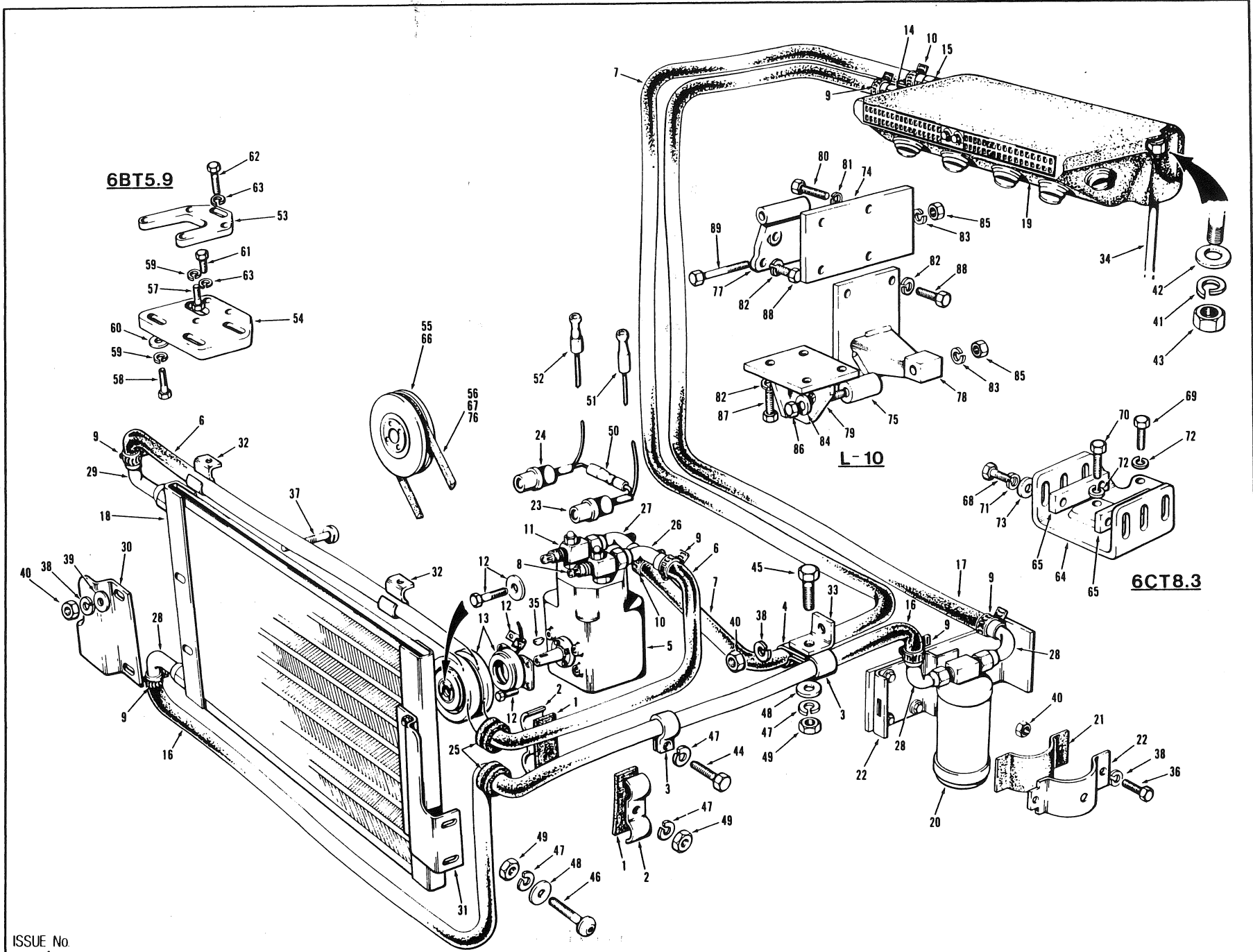
AIR CONDITIONER INSTALLATIONS

OCTOBER 1985

FOR LIST OF PARTS, TURN THIS PAGE. POUR LA LISTE DES PIÈCES, VOIR AU VERSO. PARA LA LISTA DE LAS PIEZAS, VEA AL VERSO.

USE ONLY CHAMPION ROAD MACHINERY APPROVED PARTS

SECTION SECCION 11		PAGE PAGINA 18	ISSUE No. N° D'EMISSION N° DE EDICION	1 REVISION A	AIR CONDITIONER INSTALLATIONS			OCTOBER 1985	
No. N°	PART No. N° DE PIECE N° DE PIEZA	DESCRIPTION DESCRIPTION DESCRIPCION	No. REQ. N° REQ. N° REQ.	REMARKS REMARQUES NOTAS	No. N°	PART No. N° DE PIECE N° DE PIEZA	DESCRIPTION DESCRIPTION DESCRIPCION	No. REQ. N° REQ. N° REQ.	REMARKS REMARQUES NOTAS
1	9298	RUBBER PAD	2				COMPRESSOR MOUNTINGS		
2	27756	HOSE CLAMP	4						
3	32318	HOSE CLAMP	2						
4	32319	HOSE CLAMP	1		53	41153	MOUNTING PLATE	1	
5	35782	COMPRESSOR	1		54	41154	BASE MOUNTING PLATE	1	
6	35787 X 70	REFRIGERATION HOSE	1		55	41155	ENGINE PULLEY	1	
7	35788 X 242	REFRIGERATION HOSE	1		56	41156	V-BELT	1	
8	35789	HIGH PRESSURE VALVE	1		57	50A-0608	BOLT	1	710, 710A
9	35790	HOSE CLAMP	4		58	50A-0612	BOLT	3	WITH
10	35791	HOSE CLAMP	2		59	14A-06	LOCKWASHER	4	6BT5.9
11	36030	LOW PRESSURE VALVE	1		60	14C-06	FLATWASHER	3	
12	37210	REPAIR KIT - INCLUDES BOLTS, WASHER & CLIP	A.R.		61	350A-10030	BOLT	2	
13	40916	CLUTCH PULLEY - INCLUDES ITEM 12	1		62	350A-10035	BOLT	1	
14	40990	STRAIGHT CONNECTOR	1		63	314A-10	LOCKWASHER	3	
15	40991	STRAIGHT CONNECTOR	1		64	40900	CRANKSHAFT ADAPTER	1	
16	40992 X 123	REFRIGERATION HOSE	1		65	40901	BRACKET	1	
17	40992 X 214	REFRIGERATION HOSE	1		66	40902	BRACKET	1	
18	40993	CONDENSOR CORE	1		67	40903	BRACKET	1	
19	40994	EVAPORATOR ASSEMBLY	1		68	41446	V-BELT	1	
20	40995	FILTER, RECEIVER DRYER	1		69	50A-0608	BOLT	4	
21	40996	RECEIVER INSULATOR	1		70	50A-0610	BOLT	4	720, 720A
22	40997	FILTER MOUNTING BRACKET	1		71	14A-06	LOCKWASHER	8	WITH V-504
23	40998	LOW PRESSURE SWITCH	1		72	50A-0812	BOLT	1	
24	40999	HIGH PRESSURE SWITCH	1		73	50A-0852	BOLT	1	
25	41000	RUBBER GROMMET	2		74	14A-08	LOCKWASHER	2	
26	41142	CONNECTOR	1		75	14C-08	FLATWASHER	1	
27	41143	CONNECTOR	1		76	30A-08	NUT	2	
28	41144	CONNECTOR	2		77	40919	BRACKET	1	
29	41145	CONNECTOR	2		78	40920	ADJUSTMENT BRACKET	1	
30	41149	BRACKET - L.H.	1		79	40922	ADJUSTMENT STUD	1	
31	41150	BRACKET - R.H.	1		80	41446	V-BELT	1	730, 730A
32	41157	CLIP	A.R.		81	41959	BAR	1	WITH
33	41521	BRACKET	1		82	50A-0620	BOLT	4	VT-504
34	50042 X 27	DRAIN HOSE	2		83	50A-0628	BOLT	4	
35	20J-0406	KEY - C/W ITEM 4	1		84	14A-06	LOCKWASHER	3	
36	50A-0404	BOLT	5		85	14C-06	FLATWASHER	4	
37	50F-0412	BOLT	4		86	30A-08	NUT	1	
38	14A-04	LOCKWASHER	10						
39	14C-04	FLATWASHER	A.R.		87	41158	PLATE	1	
40	30A-04	NUT	10		88	41159	SPACER	1	
41	14A-05	LOCKWASHER	4		89	41160	V-BELT	1	
42	14C-05	FLATWASHER	4		90	41241	BRACKET SUPPORT	1	
43	30A-05	NUT	4		91	41242	PI VOT BRACKET	1	
44	50A-0606	BOLT	1		92	41243	ADJUSTMENT BRACKET	1	
45	50A-0616	BOLT	1		93	50A-0608	BOLT	8	740, 740A
46	50F-0608	BOLT	4		94	14A-06	LOCKWASHER	8	760
47	14A-06	LOCKWASHER	A.R.		95	314A-10	LOCKWASHER	6	WITH L-10
48	14C-06	FLATWASHER	A.R.		96	314A-12	LOCKWASHER	2	
49	30A-06	NUT	A.R.		97	314C-12	FLATWASHER	1	
50	133B-00	CONNECTOR	1		98	330A-12	NUT	2	
51	134B-00	CONNECTOR	1		99	350A-12095	BOLT	1	
52	135B-00	CONNECTOR	1		100	350A-10025	BOLT	4	
					101	350A-10030	BOLT	2	
					102	350A-12120	BOLT	1	



EFFECTIVE SERIAL NUMBERS) 1681 7 TO 1713
 NUMEROSI DE SERIE EFFECTIFS)
 NUMEROSI DE SERIE EFFECTIVOIS)
 U.S. 2438-2 TO 2513-2

700 SERIES
 SERIE 700

SECTION 11 PAGE 17
 SECCION 11 PAGINA 17

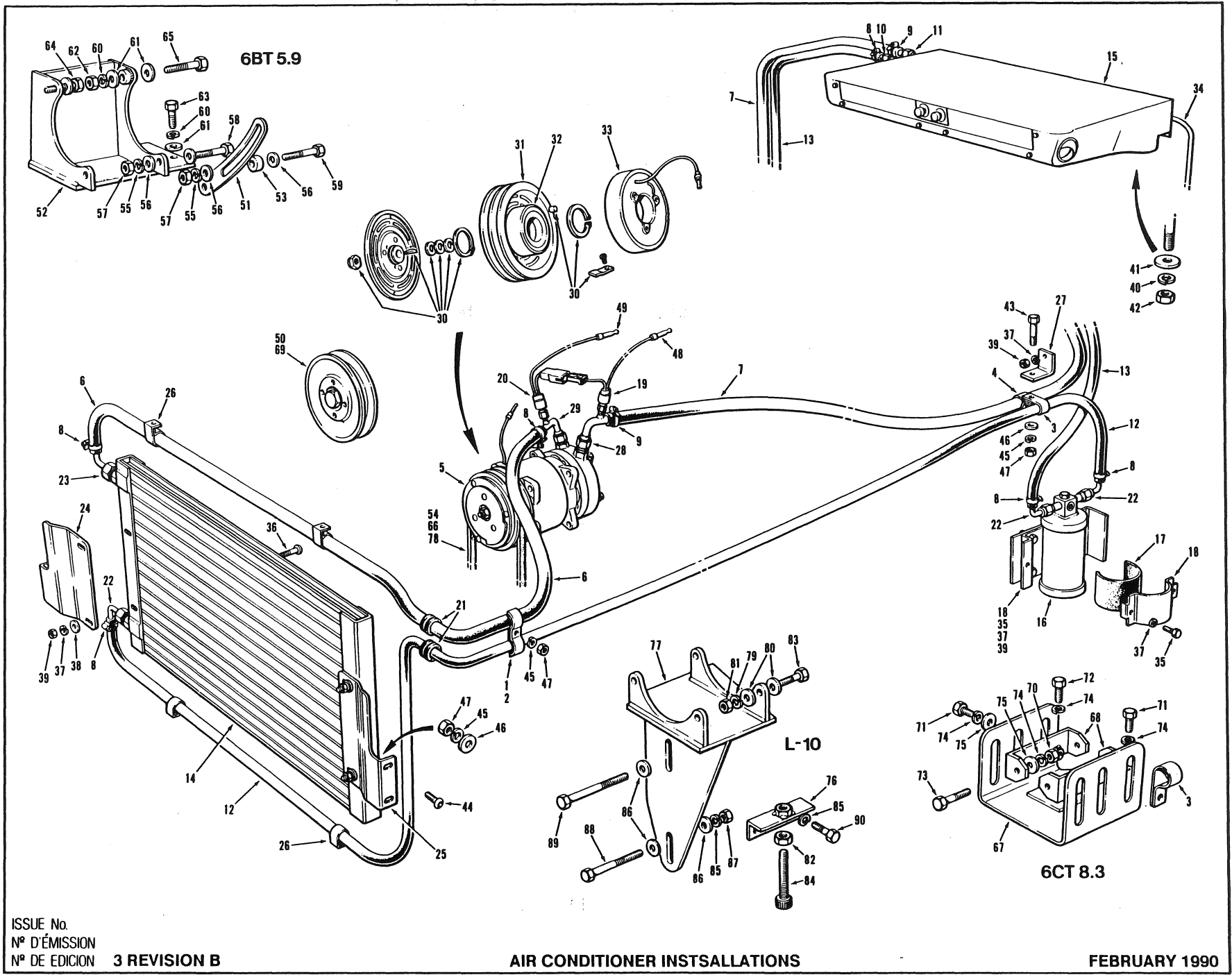
ISSUE No. 2 REVISION A
 N° D'ÉMISSION
 N° DE EDICION

AIR CONDITIONER INSTALLATIONS

JANUARY 1987

FOR LIST OF PARTS - TURN THIS PAGE POUR LA LISTE DES PIÈCES - VOIR AU VERSO PARA LA LISTA DE LAS PIEZAS - VER AL VERSO

USE ONLY CHAMPION ROAD MACHINERY APPROVED PARTS



EFFECTIVE SERIAL NUMBERS) 17158 to 19981, 19983,
 NUMEROS) DE SERIE EFFECTIFS) 19986 to 19995, 19997 to 20004,
 NUMEROS) DE SERIE EFFECTIVOS) 20006 to 20226, 20233 to 20264,
 20376 to 20382

700 SERIES
 SERIE 700

SECTION 11 PAGE 17
 SECCION 11 PAGINA 17

ISSUE No. 3 REVISION B
 N° D'ÉMISSION
 N° DE EDICION

AIR CONDITIONER INSTALLATIONS

FEBRUARY 1990

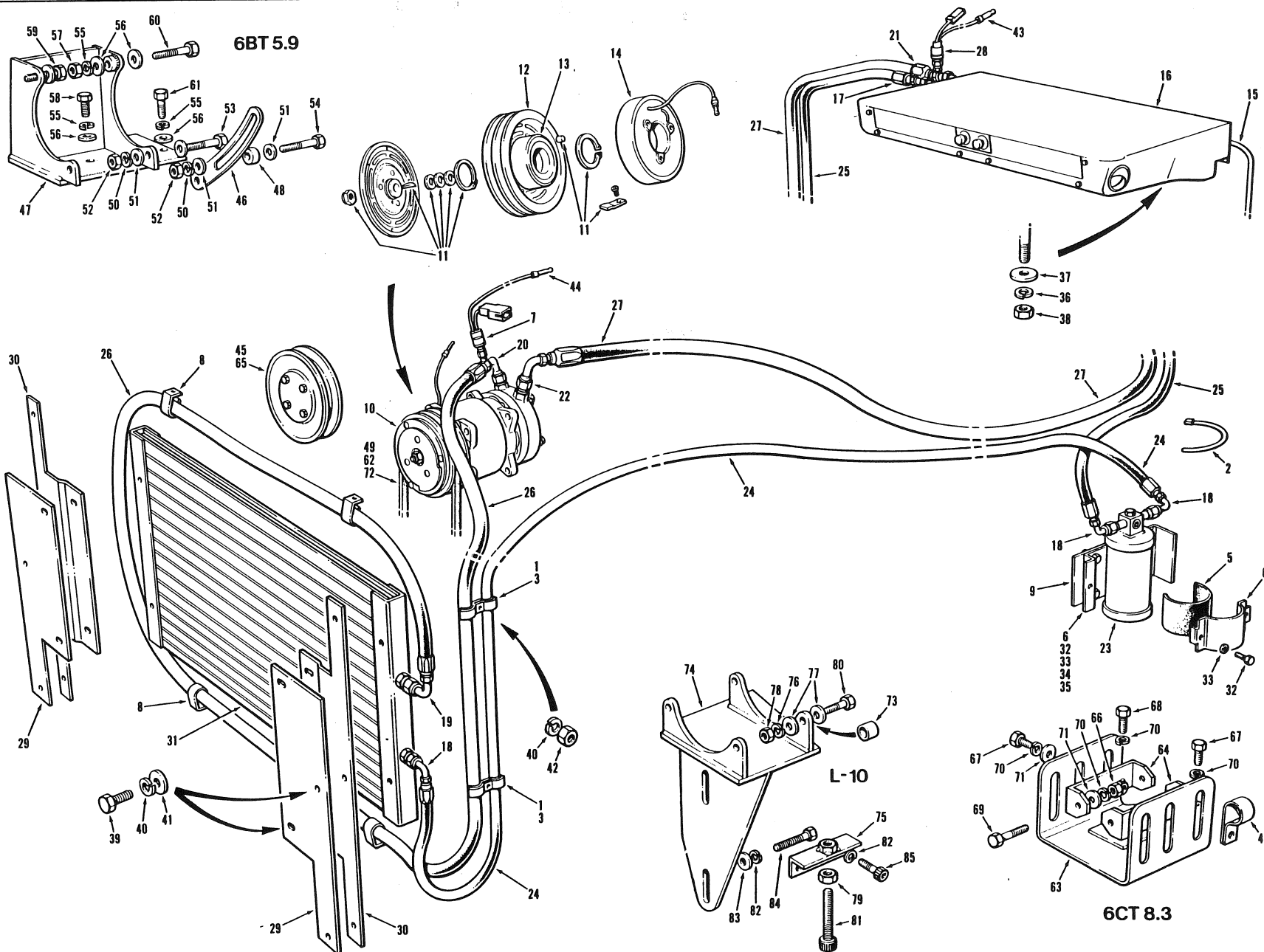
FOR LIST OF PARTS - TURN THIS PAGE

POUR LA LISTE DES PIÈCES - VOIR AU VERSO

PARA LA LISTA DE LAS PIEZAS - VER AL VERSO

USE ONLY CHAMPION APPROVED PARTS

SECTION SECCION		PAGE PAGINA		ISSUE No. N° D'ÉMISSION N° DE EDICION		3 REVISION B		AIR CONDITIONER INSTALLATIONS				FEBRUARY 1990	
No. N° N°	PART No. N° DE PIÈCE N° DE PIEZA	DESCRIPTION DESCRIPTION DESCRIPCION	No. REQ. N° REQ. N° REQ.	REMARKS REMARQUES NOTAS	No. N° N°	PART No. N° DE PIECE N° DE PIEZA	DESCRIPTION DESCRIPTION DESCRIPCION	No. REQ. N° REQ. N° REQ.	REMARKS REMARQUES NOTAS				
1	9298	RUBBER PAD	2				COMPRESSOR MOUNTINGS						
2	27756	HOSE CLAMP	2										
3	32318	HOSE CLAMP	A.R.		50	41155	DRIVE PULLEY	1					
4	32319	HOSE CLAMP	1		51	44023	ADJUSTING STRAP	2					
5	44021	COMPRESSOR - INCLUDES ITEM 30, 31, 32 & 33	1		52	44024	BRACKET	1					
6	35787 x 70	REFRIGERATION HOSE	1		53	44025	SPACER	2					
7	*35788 x 252	REFRIGERATION HOSE	1		54	44149	V-BELT	1					
8	*22B-12	HOSE CLAMP	6		55	14A-06	LOCKWASHER	4					
9	*22B-12	HOSE CLAMP	2		56	14C-06	FLATWASHER	8					
10	40990	STRAIGHT CONNECTOR - C/W ITEM 8	1		57	30A-06	NUT	4	6BT5.9				
11	40991	STRAIGHT CONNECTOR - C/W ITEM 9	1		58	50A-0612	BOLT	2	710/710A				
12	40992 x 123	REFRIGERATION HOSE	1		59	50A-0616	BOLT	2					
13	40992 x 214	REFRIGERATION HOSE	1		60	314A-10	LOCKWASHER	5					
14	40993	CONDENSER CORE	1		61	314C-10	FLATWASHER	7					
15	*52049	EVAPORATOR ASSEMBLY	REF.	SECT. 11 PAGE 24	62	330A-10	NUT	2					
16	40995	FILTER - RECEIVER DRYER	1		63	350A-10030	BOLT	3					
17	40996	RECEIVER INSULATOR	1		64	350A-10040	BOLT	1					
18	40997	FILTER MOUNTING BRACKET	1		65	350A-10045	BOLT	1					
19	40998	LOW PRESSURE SWITCH	1		66	41156	V-BELT	1					
20	40999	HIGH PRESSURE SWITCH	1		67	42110	BRACKET	1					
21	41000	RUBBER GROMMET	2		68	44148	SUPPORT BRACKET	2					
22	41144	CONNECTOR - C/W ITEM 8	3		69	42108	DRIVE PULLEY	1					
23	41145	CONNECTOR - C/W ITEM 8	1		70	330A-10	NUT	4	6CT8.3				
24	41149	BRACKET - L.H.	1		71	350A-10020	BOLT	6	720 thru 730A				
25	41150	BRACKET - R.H.	1		72	350A-10025	BOLT	2					
26	41157	CLIP	A.R.		73	350A-10035	BOLT	4					
27	41521	BRACKET	1		74	314A-10	LOCKWASHER	12					
28	44152	CONNECTOR - C/W ITEM 9	1		75	314C-10	FLATWASHER	8					
29	44153	CONNECTOR - C/W ITEM 8	1										
30	44415	ACCESSORY KIT - NUT, KEY, SHIMS, SNAP RINGS, COIL LEAD WIRE CLAMP C/W SCREWS	1		76	*53954	ADJUSTING BRACKET	1					
31	44416	ROTOR PULLEY	1		77	*53934	MOUNTING BRACKET	1					
32	44417	BEARING	1		78	44213	V-BELT	1					
33	44418	COIL, FIELD - 12 VOLT	1		79	14A-06	LOCKWASHER	4					
34	50042 x 27	DRAIN HOSE	2		80	14C-06	FLATWASHER	6					
35	50A-0404	BOLT	5		81	30A-06	NUT	4	L-10-C				
36	50F-0412	BOLT	4		82	31A-08	NUT	1	740 thru 780A				
37	14A-04	LOCKWASHER	10		83	50A-0614	BOLT	4					
38	14C-04	FLATWASHER	A.R.		84	51A-0828	BOLT	1					
39	30A-04	NUT	10		85	314A-10	LOCKWASHER	4					
40	14A-05	LOCKWASHER	4		86	314C-10	FLATWASHER	4					
41	14C-05	FLATWASHER	4		87	330A-10	NUT	2					
42	30A-05	NUT	4		88	350A-10075	BOLT	1					
43	50A-0616	BOLT	1										
44	50F-0608	BOLT	4										
45	14A-06	LOCKWASHER	A.R.										
46	14C-06	FLATWASHER	A.R.										
47	30A-06	NUT	A.R.										
48	134B-180	CONNECTOR	1										
49	135B-21	CONNECTOR	1										



6BT 5.9

L-10

6CT 8.3

4 REVISIONA

AIR CONDITIONER INSTALLATIONS

APRIL 1990

ISSUE No.
N° D'ÉMISSION
N° DE EDICION

FOR LIST OF PARTS - TURN THIS PAGE

POUR LA LISTE DES PIÈCES - VOIR AU VERSO

PARA LA LISTA DE LAS PIEZAS - VER AL VERSO

USE ONLY CHAMPION ROAD MACHINERY APPROVED PARTS

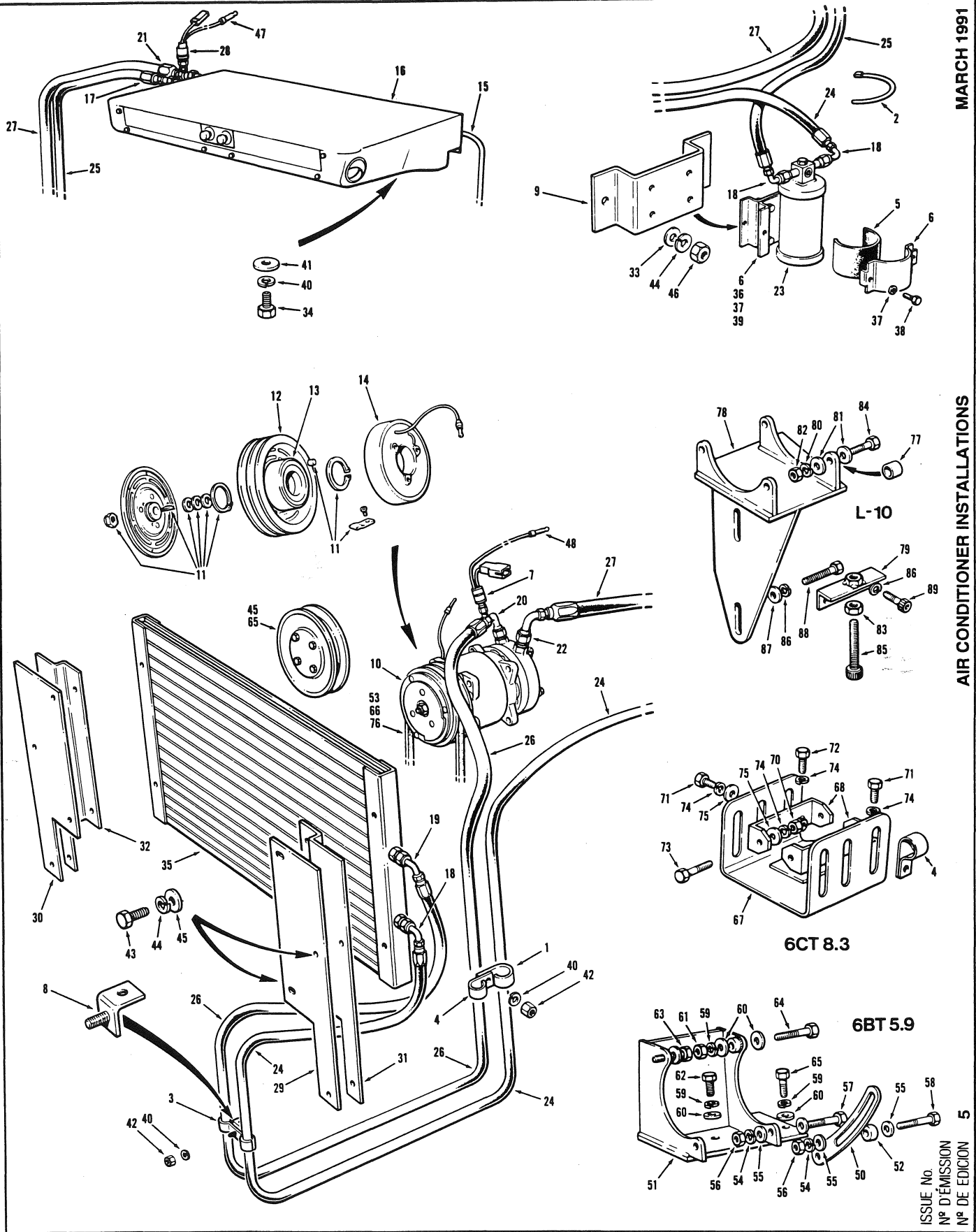
EFFECTIVE SERIAL NUMBERS:
NUMEROSI DE SERIE EFFETTIVI(S)
NUMEROSI DE SERIE EFFECTIV(S)
NUMEROSI DE SERIE EFECTIVOS(S)

19982, 19984, 19985, 19986,
19988, 20227 to 20232, 20265
to 20375, 20383 & UP

700 SERIES
SERIE 700

SECTION 11 PAGE 17
SECTION 11 PAGINA 17

SECTION SECCION 11		PAGE PAGINA 18	ISSUE No. N° D'ÉMISSION N° DE EDICION	4 REVISION A	AIR CONDITIONER INSTALLATIONS			APRIL 1990	
No. N° N°	PART No. N° DE PIÈCE N° DE PIEZA	DESCRIPTION DESCRIPTION DESCRIPCION	No. REQ N° REQ. N° REQ.	REMARKS REMARQUES NOTAS	No. N° N°	PART No. N° DE PIÈCE N° DE PIEZA	DESCRIPTION DESCRIPTION DESCRIPCION	No. REQ N° REQ. N° REQ.	REMARKS REMARQUES NOTAS
1	9298	RUBBER PAD	2				COMPRESSOR MOUNTINGS		
2	15774	TIE WRAP	7		45	41155	DRIVE PULLEY	1	
3	27756	HOSE CLAMP	2		46	44023	ADJUSTING STRAP	2	
4	32318	HOSE CLAMP	1		47	44024	BRACKET	1	
5	40996	RECEIVER INSULATOR	1		48	44025	SPACER	2	
6	40997	FILTER MOUNTING BRACKET	1		49	44149	V-BELT	1	
7	40999	HIGH PRESSURE SWITCH	1		50	14A-06	LOCKWASHER	4	
8	41157	CLIP	1		51	14C-06	FLATWASHER	8	
9	41448	BRACKET	1	REPAIR PART	52	30A-06	NUT	4	
10	44021	COMPRESSOR - 12 VOLT - INCLUDES ITEMS 11, 12, 13 & 14	1		53	50A-0612	BOLT	2	
	*55057	COMPRESSOR - 24 VOLT - INCLUDES ITEMS 11, 12, 13 & 14	1		54	50A-0616	BOLT	2	710/710A
11	44415	ACCESSORY KIT - NUT, KEY, SHIM, SNAP RINGS, COIL LEAD WIRE, CLAMP, C/W SCREWS	1		55	314A-10	LOCKWASHER	5	
		ROTOR PULLEY - 12 VOLT	1		56	314C-10	FLATWASHER	7	
12	44416	ROTOR PULLEY - 24 VOLT	1		57	330A-10	NUT	2	
	*56508	ROTOR PULLEY - 24 VOLT	1		58	350A-10030	BOLT	1	
13	44417	BEARING	1		59	350A-10040	BOLT	1	
14	44418	COIL, FIELD - 12 VOLT	1		60	350A-10045	BOLT	1	
	*56507	COIL, FIELD - 24 VOLT	1		61	350AA-10040	BOLT	2	
15	50042 x 27	DRAIN HOSE	1						
16	52049	EVAPORATOR ASSEMBLY	1	Sec. 11 Pg. 24	62	41156	V-BELT	1	
17	54820	CONNECTOR - C/W O-RING	1		63	42110	BRACKET	1	
18	54821	CONNECTOR	1		64	44148	SUPPORT BRACKET	2	
19	54822	CONNECTOR	1		65	42108	DRIVE PULLEY	1	
20	54823	CONNECTOR	1		66	330A-10	NUT	4	
21	54824	CONNECTOR - C/W O-RING	1		67	350A-10020	BOLT	6	720 thru 730A
22	54825	CONNECTOR	1		68	350A-10025	BOLT	2	
23	54826	FILTER - RECEIVER DRYER	1		69	350A-10035	BOLT	4	
24	54832 x 123	REFRIGERATOR HOSE	1		70	314A-10	LOCKWASHER	12	
25	54832 x 214	REFRIGERATOR HOSE	1		71	314C-10	FLATWASHER	8	
26	54832 x 160	REFRIGERATOR HOSE	1						
27	54834 x 252	REFRIGERATOR HOSE	1		72	44213	V-BELT	1	
28	54851	LOW PRESSURE SWITCH	1		73	53941	SPACER	2	
29	54863	BRACKET - SUCKER FAN	2		74	53934	MOUNTING BRACKET	1	
30	54864	BRACKET - BLOWER FAN	2		75	53954	ADJUSTING BRACKET	1	
31	57028	CONDENSOR CORE	1		76	14A-06	LOCKWASHER	4	
32	50A-0404	BOLT	5		77	14C-06	FLATWASHER	6	
33	14A-04	LOCKWASHER	4		78	30A-06	NUT	4	740 thru 780A
34	14C-04	FLATWASHER	4		79	31A-08	NUT	1	
35	30A-04	NUT	4		80	50A-0614	BOLT	4	
36	14A-05	LOCKWASHER	4		81	71F-0864	BOLT	1	
37	14C-05	FLATWASHER	4		82	314A-10	LOCKWASHER	4	
38	30A-05	NUT	4		83	314C-10	FLATWASHER	4	
39	50A-0608	BOLT	8		84	350A-10030	BOLT	2	
40	14A-06	LOCKWASHER	10		85	350D-10030	BOLT	2	
41	14C-06	FLATWASHER	8						
42	30A-06	NUT	2						
43	134B-180	CONNECTOR	1						
44	135B-21	CONNECTOR	1						



MARCH 1991

AIR CONDITIONER INSTALLATIONS

PARA LA LISTA DE LAS PIEZAS - VER AL VERSO

POUR LA LISTE DES PIÈCES - VOIR AU VERSO

FOR LIST OF PARTS - TURN THIS PAGE

5

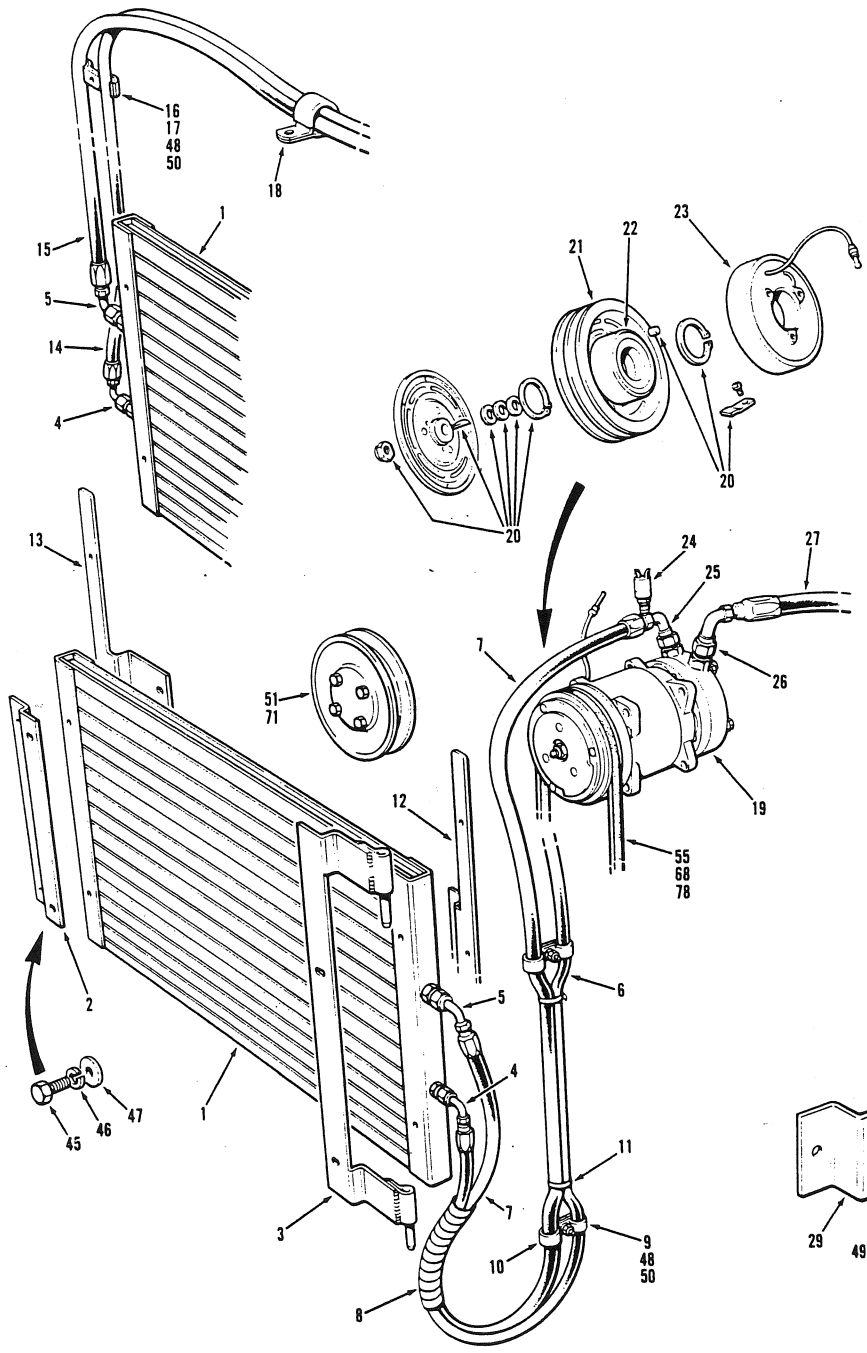
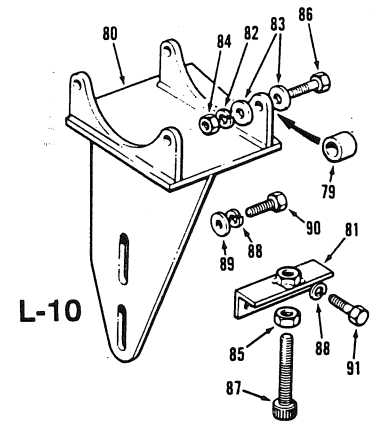
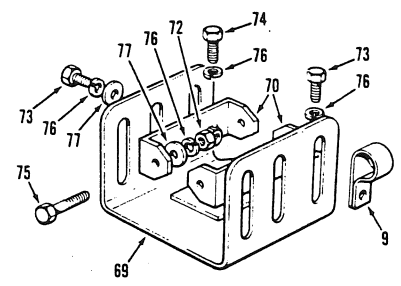
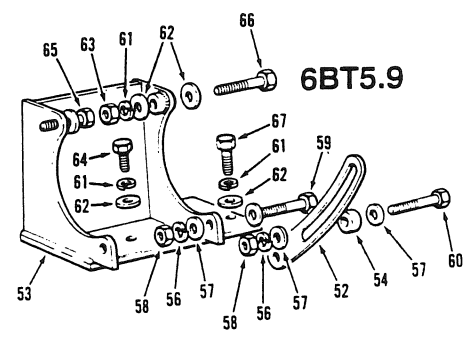
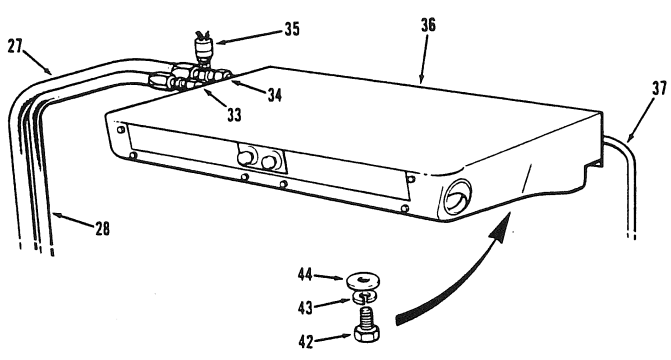
ISSUE No.
N° D'ÉMISSION
N° DE EDICIÓN

EFFECTIVE SERIAL NUMBER(S) 20719 & UP
 NUMERO(S) DE SÉRIE EFFECTIF(S) EXCLUDING 20731
 NUMERO(S) DE SERIE EFECTIVO(S)

700 SERIES
 SERIE 700

SECTION 11 PAGE 17
 SECCION 11 PAGINA 17

SECTION 11		PAGE 18		ISSUE No. 5		AIR CONDITIONER INSTALLATIONS				MARCH 1991	
SECCION 11		PAGINA 18		N° D'ÉMISSION 5		N° DE EDICION					
No. N° N°	PART No. N° DE PIÈCE N° DE PIEZA	DESCRIPTION DESCRIPTION DESCRIPCION	No. REQ. N° REQ. N° REQ.	REMARKS REMARQUES NOTAS	No. N° N°	PART No. N° DE PIECE N° DE PIEZA	DESCRIPTION DESCRIPTION DESCRIPCION	No. REQ. N° REQ. N° REQ.	REMARKS REMARQUES NOTAS		
1	*32319	HOSE CLAMP	2				COMPRESSOR MOUNTINGS				
2	15774	TIE WRAP	7		49	41155	DRIVE PULLEY	1			
3	*1008	HOSE CLAMP	2		50	44023	ADJUSTING STRAP	2			
4	32318	HOSE CLAMP	3		51	44024	BRACKET	1			
5	40996	RECEIVER INSULATOR	1		52	44025	SPACER	2			
6	40997	FILTER MOUNTING BRACKET	1		53	44149	V-BELT	1			
7	40999	HIGH PRESSURE SWITCH	1		54	14A-06	LOCKWASHER	4			
8	*57731	BRACKET	1		55	14C-06	FLATWASHER	8			
9	*57939	BRACKET	1		56	30A-06	NUT	4			
10	44021	COMPRESSOR - 12 VOLT- INCLUDES ITEMS 11, 12, 13 & 14	1		57	50A-0612	BOLT	2			
	55057	COMPRESSOR - 24 VOLT - INCLUDES ITEMS 11, 12, 13 & 14	1		58	50A-0616	BOLT	2	710/710A		
11	44415	ACCESSORY KIT - NUT, KEY, SHIM, SNAP RINGS, COIL LEAD WIRE, CLAMP, C/W SCREWS	1		59	314A-10	LOCKWASHER	5			
12	44416	ROTOR PULLEY - 12 VOLT	1		60	314C-10	FLATWASHER	7			
	56508	ROTOR PULLEY - 24 VOLT	1		61	330A-10	NUT	2			
13	44417	BEARING	1		62	350A-10030	BOLT	1			
14	44418	COIL, FIELD - 12 VOLT	1		63	350A-10040	BOLT	1			
	56507	COIL, FIELD - 24 VOLT	1		64	350A-10045	BOLT	1			
15	50042 x 27	DRAIN HOSE	1		65	350AA-10040	BOLT	2			
16	52049	EVAPORATOR ASSEMBLY	1	Sect 11 Pg 23	66	41156	V-BELT	1			
17	54820	CONNECTOR - C/W O-RING	1		67	42110	BRACKET	1			
18	54821	CONNECTOR	1		68	44148	SUPPORT BRACKET	2			
19	54822	CONNECTOR	1		69	42108	DRIVE PULLEY	1			
20	54823	CONNECTOR	1		70	330A-10	NUT	4			
21	54824	CONNECTOR - C/W O-RING	1		71	350A-10020	BOLT	6	720 thru 730A		
22	54825	CONNECTOR	1		72	350A-10025	BOLT	2			
23	54826	FILTER - RECEIVER DRYER	1		73	350A-10035	BOLT	4			
24	*54832 x 120	REFRIGERATOR HOSE	1		74	314A-10	LOCKWASHER	12			
25	54832 x 214	REFRIGERATOR HOSE	1		75	314C-10	FLATWASHER	8			
26	*54833 x 180	REFRIGERATOR HOSE	1								
27	54834 x 252	REFRIGERATOR HOSE	1		76	44213	V-BELT	1			
28	54851	LOW PRESSURE SWITCH	1		77	53941	SPACER	2			
29	*56050	BRACKET - R.H.	1	720 thru 780A	78	53934	MOUNTING BRACKET	1			
30	*56051	BRACKET - L.H.	1	720 thru 780A	79	53954	ADJUSTING BRACKET	1			
31	*56049	BRACKET - R.H.	1	710/710A	80	14A-06	LOCKWASHER	4			
32	*57055	BRACKET - L.H.	1	710/710A	81	14C-06	FLATWASHER	6			
33	*14D-06	FLATWASHER	2		82	30A-06	NUT	4	740 thru 780A		
34	*50A-0805Z1	BOLT	4		83	31A-08	NUT	1			
35	57028	CONDENSOR CORE	1		84	50A-0614	BOLT	4			
36	50A-0404	BOLT	4		85	71F-0864	BOLT	1			
37	14A-04	LOCKWASHER	6		86	314A-10	LOCKWASHER	4			
38	*50A-0410	BOLT	1		87	314C-10	FLATWASHER	4			
39	30A-04	NUT	6		88	350A-10030	BOLT	2			
40	14A-05	LOCKWASHER	4		89	350D-10030	BOLT	2			
41	14C-05	FLATWASHER	4								
42	30A-05	NUT	4								
43	50A-0608	BOLT	8								
44	14A-06	LOCKWASHER	10								
45	14C-06	FLATWASHER	8								
46	30A-06	NUT	4								
47	134B-180	CONNECTOR	1								
48	135B-21	CONNECTOR	1								



EFFECTIVE SERIAL NUMBER(S)
NUMERO(S) DE SÉRIE EFFECTIF(S) **21911 & UP**
NUMERO(S) DE SÉRIE EFECTIVO(S)

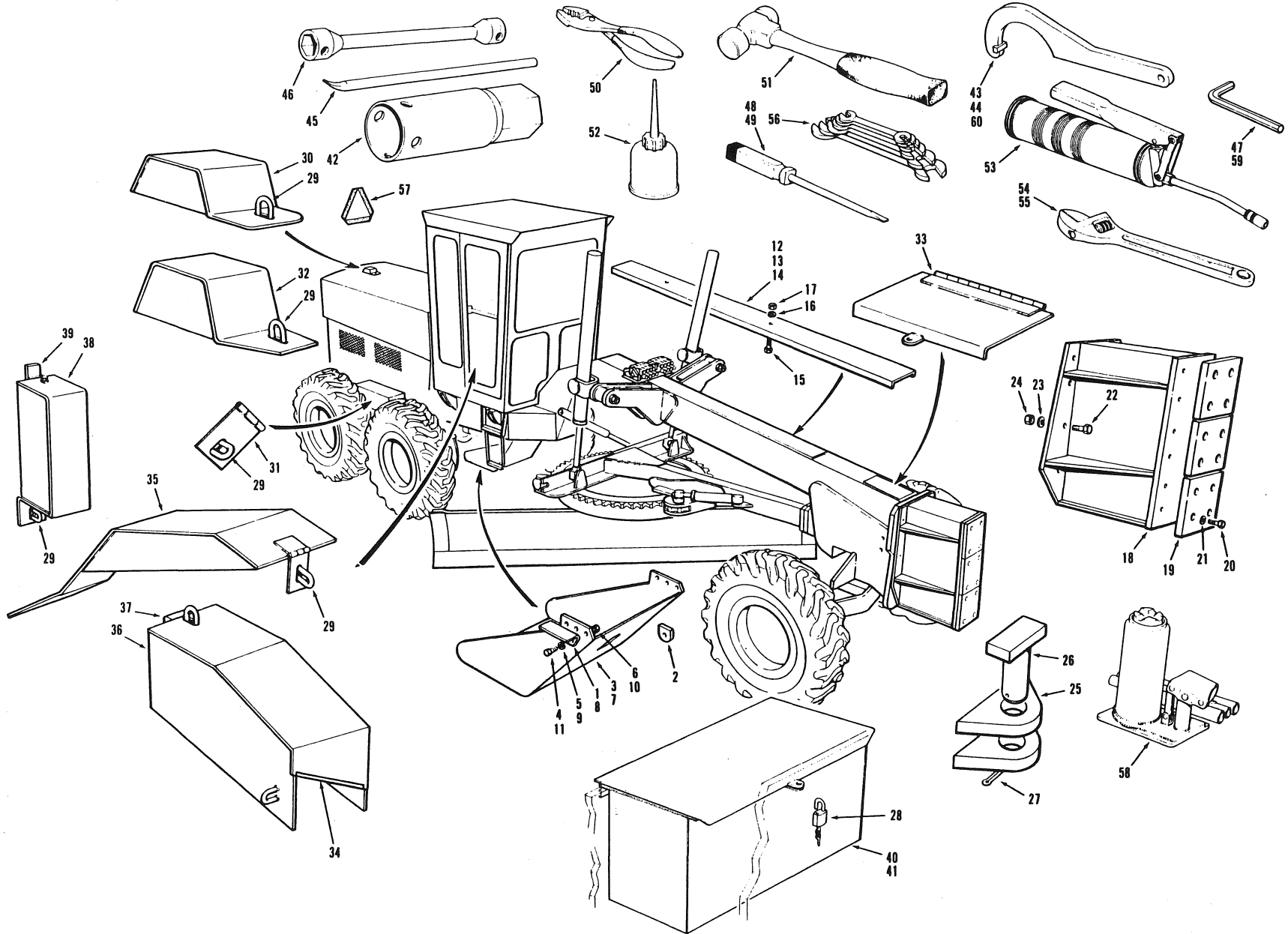
700 SERIES
SERIE 700

SECTION 11 **PAGE 17**
SECCION 11 **PAGINA 17**

SECTION 11		PAGE 18	ISSUE No. 6	AIR CONDITIONER INSTALLATIONS				JANUARY 1992	
SECCION 11		PAGINA 18	N° D'ÉMISSION 6						
No. N°	PART No. N° DE PIÉCE	DESCRIPTION DESCRIPTION	No. REQ. N° REQ.	REMARKS REMARQUES NOTAS	No. N°	PART No. N° DE PIÉCE	DESCRIPTION DESCRIPTION	No. REQ. N° REQ.	REMARKS REMARQUES NOTAS
1	*54815	CONDENSOR CORE	1		44	*14C-05zj	FLATWASHER	4	
2	*57829	BRACKET - L.H. - SUCKER FAN	1		45	*50A-0508	BOLT	4	
3	*65127	BRACKET - R.H. - SUCKER FAN	1		46	14A-05	LOCKWASHER	4	
				UP TO	47	14C-05	FLATWASHER	4	
				S/N 22094	48	14A-06	LOCKWASHER	6	
	*65657	BRACKET - R.H. - SUCKER FAN	1	S/N 22095 & UP	49	14C-06	FLATWASHER	4	
4	54721	CONNECTOR	3		50	30A-06	NUT	6	
5	54822	CONNECTOR	1						
6	*54832 x 126	REFRIGERATOR HOSE - SUCKER FAN	1						
7	*54833 x 96	REFRIGERATOR HOSE - SUCKER FAN	1						
8	*41647 x 15	HOSE WRAP - SUCKER FAN	1						
9	32318	CLAMP	2		51	41155	DRIVE PULLEY	1	
10	32319	CLAMP	2		52	44023	ADJUSTING STRAP	2	
11	15774	TIE WRAP	12		53	44024	BRACKET	1	
					54	44025	SPACER	2	
12	*57817	BRACKET - R.H.	1	BLOWER FAN	55	44149	V-BELT	1	
13	*57818	BRACKET - L.H.	1		56	14A-06	LOCKWASHER	4	
14	*54832 x 142	REFRIGERATOR HOSE	1		57	14C-06	FLATWASHER	8	
15	*54833 x 78	REFRIGERATOR HOSE	1		58	30A-06	NUT	4	
16	*9298	RUBBER PAD	1		59	50A-0612	BOLT	2	710/710A
17	*27756	CLAMP	1		60	50A-0616	BOLT	2	
18	*32320	CLAMP	1		61	314A-10	LOCKWASHER	5	
					62	314C-10	FLATWASHER	7	
19	44021	COMPRESSOR - 12 VOLT - INCLUDES ITEMS 20 TO 23	1	63	330A-10	NUT	2		
	55057	COMPRESSOR - 24 VOLT - INCLUDES ITEMS 20 TO 23	1	64	350A-10030	BOLT	1		
20	44415	ACCESSORY KIT - NUT, KEY, SHIM, SNAP RINGS, COIL LEAD WIRE, CLAMP, C/W SCREWS	1	65	350A-10040	BOLT	1		
				66	350A-10045	BOLT	1		
21	44416	ROTOR PULLEY - 12 VOLT	1	67	350AA-10040	BOLT	2		
	56508	ROTOR PULLEY - 24 VOLT	1						
22	44417	BEARING	1	68	41156	V-BELT	1	720 thru 730A	
23	44418	COIL, FIELD - 12 VOLT	1	69	42110	BRACKET	1		
	56507	COIL, FIELD - 24 VOLT	1	70	44148	SUPPORT BRACKET	2		
	55502	DUST SHIELD KIT - A/C COMPRESSOR - C/W 65328 DUST SHIELD & HARDWARE	1	71	42108	DRIVE PULLEY	1		
				72	330A-10	NUT	4		
				73	350A-10020	BOLT	6		
24	*65196	HIGH PRESSURE SWITCH	1	74	350A-10025	BOLT	2		
25	54823	CONNECTOR	1	75	350A-10035	BOLT	4		
26	54825	CONNECTOR	1	76	314A-10	LOCKWASHER	12		
27	*54834 x 225	REFRIGERATOR HOSE	1	77	314C-10	FLATWASHER	8		
28	*54834 x 185	REFRIGERATOR HOSE	1	78	44213	V-BELT	1		
29	57939	BRACKET	1	79	53941	SPACER	2		
30	40997	FILTER MOUNTING BRACKET	1	80	53934	MOUNTING BRACKET	1		
31	40996	INSULATOR	1	81	53954	ADJUSTING BRACKET	1		
32	54826	FILTER - RECEIVER DRYER	1	82	14A-06	LOCKWASHER	4		
33	54820	CONNECTOR - C/W O-RING	1	83	14C-06	FLATWASHER	6		
34	54824	CONNECTOR - C/W/ O-RING	1	84	30A-06	NUT	4		
35	54851	LOW PRESSURE SWITCH	1	85	31A-08	NUT	1		
36	52049	EVAPORATOR ASSEMBLY	1	86	50A-0614	BOLT	4		
37	50042 x 27	DRAIN HOSE	1	87	71F-0864	BOLT	1		
38	50A-0404	BOLT	4	88	314A-10	LOCKWASHER	4		
39	50A-0410	BOLT	1	89	314C-10	FLATWASHER	2		
40	14A-04	LOCKWASHER	5	90	350A-10030	BOLT	2		
41	30A-04	NUT	4	91	350D-10030	BOLT	2		
42	50A-0508zj	BOLT	4						
43	*14A-05zj	LOCKWASHER	4						

Sect 11 Pg 23

CHAMPION ROAD MACHINERY



EFFECTIVE SERIAL NUMBER(S) 16224, 16245 & UP
 NUMERO(S) DE SÉRIE EFFECTIF(S)
 NUMERO(S) DE SERIE EFECTIVOS)
 U.S. 2021-2 & UP

700 SERIES
 SERIE 700

SECTION 11 PAGE 19
 SECCION 11 PAGINA 19

ISSUE No.
 N° D'ÉMISSION
 N° DE EDICION 1 REVISION B

CHASSIS REMOVABLE ITEMS & ANTI-VANDALISM EQUIPMENT

APRIL 1987

FOR LIST OF PARTS - TURN THIS PAGE

POUR LA LISTE DES PIÈCES - VOIR AU VERSO

PARA LA LISTA DE LAS PIEZAS - VER AL VERSO

USE ONLY CHAMPION ROAD MACHINERY APPROVED PARTS

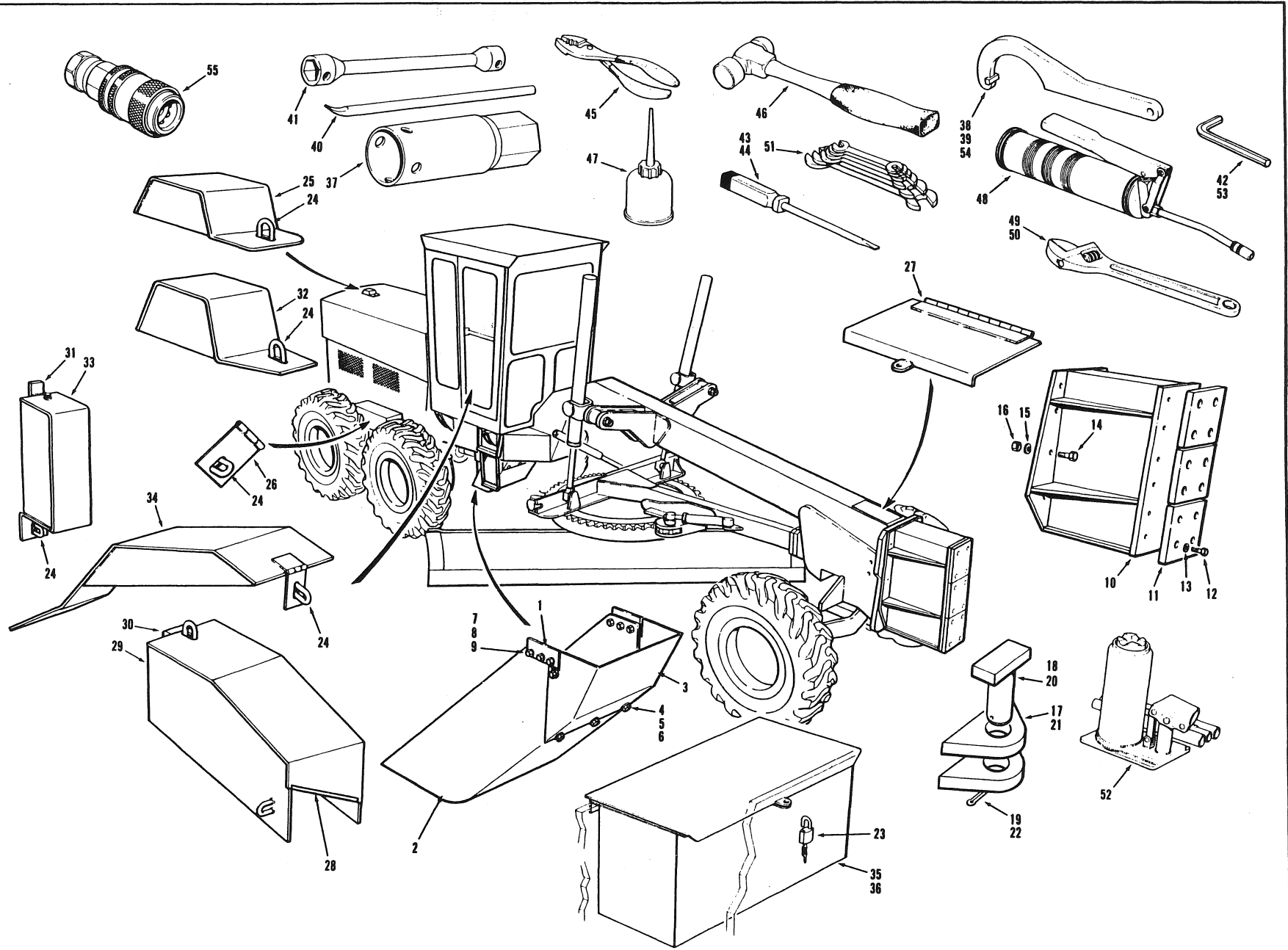
SECTION SECCION 11		PAGE PAGINA 20	ISSUE No. N° D'ÉMISSION N° DE EDICION	1 REVISION B	CHASSIS REMOVABLE ITEMS & ANTI-VANDALISM EQUIPMENT				APRIL 1987
No. N° N°	PART No. N° DE PIÈCE N° DE PIEZA	DESCRIPTION DESCRIPTION DESCRIPCION	No. REQ. N° REQ. N° REQ.	REMARKS REMARQUES NOTAS	No. N° N°	PART No. N° DE PIECE N° DE PIEZA	DESCRIPTION DESCRIPTION DESCRIPCION	No. REQ. N° REQ. N° REQ.	REMARKS REMARQUES NOTAS
<u>TRANSMISSION GUARD</u>					<u>ANTI-VANDALISM EQUIPMENT</u>				
1	18346	MOUNTING ANGLE - (REPAIR PART)	2		28	18968	PADLOCK	A.R.	
2	25286	LUG - (REPAIR PART)	1	UP TO S/N	29	18989	LATCH RING	A.R.	REPAIR PART
3	40096	GUARD	1	17408	30	19025	COVER - RADIATOR & FUEL CAP	2	
4	50A-1216	BOLT	6	UP TO U.S.	31	19082	HASP	A.R.	REPAIR PART
5	14A-12	LOCKWASHER	6	S/N 2570-2	32	30725	COVER - HYDRAULIC TANK	1	A.W.D.
6	30A-12	NUT	6		33	30922	COVER - MOTOR CONTROL VALVE	1	A.W.D.
<u>TRANSMISSION GUARD</u>					34	32576	TRIM LOCK - 9" LONG	1	
7	43770	GUARD	1	S/N 17409	35	33821	COVER - PEDESTAL	1	
8	43771	MOUNTING ANGLE - (REPAIR PART)	2	& UP	36	33823	COVER - CONSOLE	1	
9	14A-12	LOCKWASHER	6	U.S. S/N	37	33824	SUPPORT ANGLE	1	REPAIR PART
10	30A-12	NUT	6	2571-2	38	33826	COVER - SWITCH PANEL	1	
11	50A-1216	BOLT	6	& UP	39	33827	SUPPORT ANGLE	1	REPAIR PART
<u>FRONT FRAME COVER</u>					<u>TOOLBOXES</u>				
12	18002	COVER	1	MODEL 740	40	12749	TOOLBOX - C/W ITEM 28	1	
13	36843	COVER	1	THRU 780A	41	30626	TOOLBOX - NOT INCLUDING ITEM 28	1	A.W.D.
14	*43110	COVER	1	MODEL 710	<u>STANDARD TOOLS</u>				
15	50A-0620	BOLT	1	THRU 720A	42	27	HUB WRENCH	1	
16	14A-06	LOCKWASHER	1	MODEL 730	43	12261	CYLINDER WRENCH - 4"	1	
17	30A-06	NUT	1	& 730A	44	12327	CYLINDER WRENCH - 3"	1	
<u>PUSH BLOCK ASSEMBLY</u>					<u>OPTIONAL TOOLS</u>				
18	8523	PUSH BLOCK	1		45	821	TIRE WRENCH	1	
19	8524	WEAR PLATE	3		46	821A	SOCKET	1	
20	50A-1014	BOLT	12		47	2519-3	ALLEN WRENCH SET	1	
21	14A-10	LOCKWASHER	12		48	2519-4	SCREWDRIVER - SHORT	1	
22	51A-1624	BOLT	8		49	2519-5	SCREWDRIVER - LONG	1	
23	14A-16	LOCKWASHER	8		50	2519-6	PLIERS	1	
24	31A-16	NUT	8		51	2519-7	HAMMER	1	
<u>FRONT TOWING LUG</u>					52	2519-8	OIL CAN	1	
25	10533	TOWING LUG	2	REPAIR PART	53	2519-9	GREASE GUN - C/W HOSE	1	
26	10534	PIN	1		54	6505	ADJUSTABLE WRENCH - 15"	1	
27	13A-0848	COTTER PIN	1		55	6506	ADJUSTABLE WRENCH - 12"	1	
					56	6507	SPANNER SET	1	
					57	9349	SIGN - SLOW MOVING	1	
					58	9455	HYDRAULIC JACK - 20 TON	1	
					59	15608	ALLEN WRENCH - 5/16"	1	
					60	18275	CYLINDER WRENCH - 5"	1	

EFFECTIVE SERIAL NUMBERS)
 NUMEROSI DE SERIE EFFECTIVIS)
 NUMEROSI DE SERIE EFFECTIVOS)

18578, 18590, 18592 & UP

700 SERIES
 SERIE 700

SECTION 11 PAGE 19
 SECCION 11 PAGINA 19



USE ONLY CHAMPION ROAD MACHINERY APPROVED PARTS

ISSUE No.
 N° D'ÉMISSION
 N° DE EDICION 2

CHASSIS REMOVEABLE ITEMS & ANTI-VANDALISM EQUIPMENT

OCTOBER 1989

FOR LIST OF PARTS - TURN THIS PAGE

POUR LA LISTE DES PIÈCES - VOIR AU VERSO

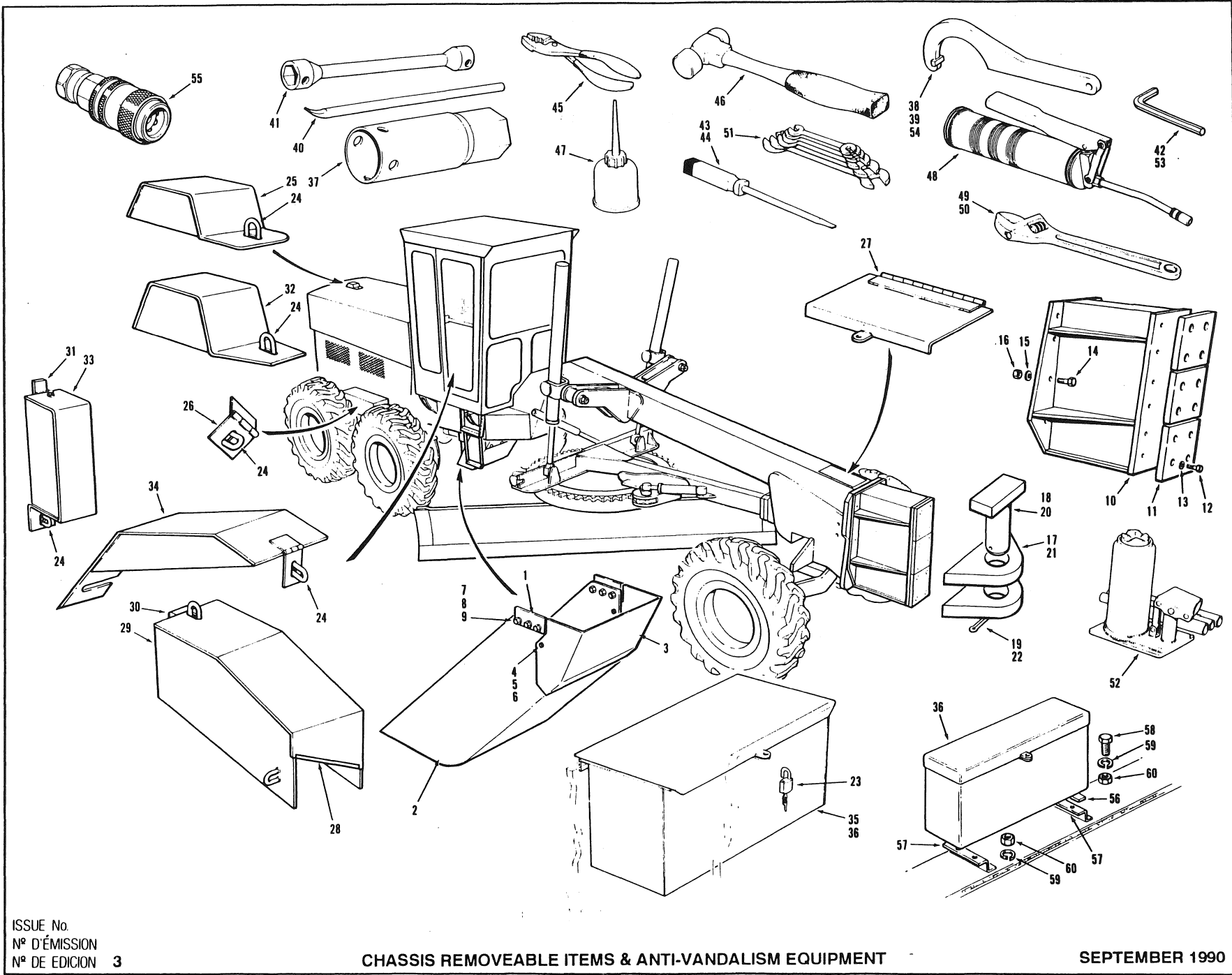
PARA LA LISTA DE LAS PIEZAS - VER AL VERSO

SECTION SECCION	11	PAGE PAGINA	20	ISSUE No. N° D'ÉMISSION N° DE EDICION	2	CHASSIS REMOVABLE ITEMS & ANTI-VANDALISM EQUIPMENT			OCTOBER 1989
No. N° N°	PART No. N° DE PIÈCE N° DE PIEZA	DESCRIPTION DESCRIPTION DESCRIPCION	No. REQ. N° REQ. N° REQ.	REMARKS REMARQUES NOTAS	No. N° N°	PART No. N° DE PIÈCE N° DE PIEZA	DESCRIPTION DESCRIPTION DESCRIPCION	No. REQ. N° REQ. N° REQ.	REMARKS REMARQUES NOTAS
<u>TRANSMISSION GUARD</u>					<u>TOOL BOXES</u>				
1	*43771	MOUNTING ANGLE	2	REPAIR PART	35	12749	TOOL BOX - C/W ITEM 23	1	
2	*45916	GUARD	1		36	30626	TOOL BOX - NOT INCLUDING ITEM 23	1	A.W.D.
3	*45917	COVER PLATE	1						
4	*14A-05	LOCKWASHER	5						
5	*14C-05	FLATWASHER	5						
6	*30A-05	NUT	5		37	27	HUB WRENCH	1	
7	50A-1216	BOLT	6		38	12261	CYLINDER WRENCH - 4"	1	
8	14A-12	LOCKWASHER	6		39	12327	CYLINDER WRENCH - 3"	1	
9	30A-12	NUT	6						
<u>PUSH BLOCK ASSEMBLY</u>					<u>STANDARD TOOLS</u>				
10	8523	PUSH BLOCK	1		40	821	TIRE WRENCH	1	
11	8524	WEAR PLATE	3		41	821A	SOCKET	1	
12	50A-1014	BOLT	12		42	2519-3	ALLEN WRENCH SET	1	
13	14A-10	LOCKWASHER	12		43	2519-4	SCREW DRIVER - SHORT	1	
14	*50A-1636	BOLT	8		44	2519-5	SCREW DRIVER - LONG	1	
15	14A-16	LOCKWASHER	8		45	2519-6	PLIERS	1	
16	*30A-16	NUT	8		46	2519-7	HAMMER	1	
					47	2519-8	OIL CAN	1	
					48	2519-9	GREASE GUN - C/W HOSE	1	
					49	6505	ADJUSTABLE WRENCH - 15"	1	
					50	6506	ADJUSTABLE WRENCH - 12"	1	
17	*49173	TOWING LUG	2	REPAIR PART	51	6507	SPANNER SET	1	
18	*49844	PIN	1		52	9455	HYDRAULIC JACK - 20 TON	1	
19	13A-0848	COTTER PIN	1		53	15608	ALLEN WRENCH - 5/16"	1	
					54	18275	CYLINDER WRENCH - 5"	1	
					55	*51287	QUICK DISCONNECT COUPLING - FEMALE	1	HYDRAULIC SYSTEM TEST PORTS
<u>FRONT TOWING LUG</u>					<u>OPTIONAL TOOLS</u>				
20	49173	TOWING LUG	2	REPAIR PART					
21	*49174	PIN	1						
22	13A-0848	COTTER PIN	1						
<u>REAR TOWING LUG</u>									
23	18968	PADLOCK	A.R.						
24	18989	LATCH RING	A.R.	REPAIR PART					
25	19025	COVER - RADIATOR & FUEL CAP	2						
26	19082	HASP	A.R.	REPAIR PART					
27	30922	COVER - MOTOR CONTROL VALVE	1	A.W.D.					
28	32576	TRIM LOCK - 9" LONG	1						
29	33823	COVER - CONSOLE	1						
30	33824	SUPPORT ANGLE	1	REPAIR PART					
31	33827	SUPPORT ANGLE	1	REPAIR PART					
32	*49381	COVER - HYDRAULIC TANK	1	A.W.D.					
33	*51625	COVER - SWITCH PANEL	1						
34	*51629	COVER - PEDESTAL	1						
<u>ANTI-VANDALISM EQUIPMENT</u>									

EFFECTIVE SERIAL NUMBER(S) 20719 & UP
 NUMEROS(S) DE SERIE EFFECTIFS EXCLUIND 20731
 NUMEROS(S) DE SERIE EFECTIVOS

700 SERIES
 SERIE 700

SECTION 11 PAGE 19
 SECCION 11 PAGINA 19



USE ONLY CHAMPION ROAD MACHINERY APPROVED PARTS

ISSUE No.
 N° D'ÉMISSION
 N° DE EDICION 3

CHASSIS REMOVEABLE ITEMS & ANTI-VANDALISM EQUIPMENT

SEPTEMBER 1990

FOR LIST OF PARTS - TURN THIS PAGE

POUR LA LISTE DES PIÈCES - VOIR AU VERSO

PARA LA LISTA DE LAS PIZAS - VER AL VERSO

SECTION SECCION		PAGE PAGINA		ISSUE No. N° D'ÉMISSION N° DE EDICION		CHASSIS REMOVABLE ITEMS & ANTI-VANDALISM EQUIPMENT				SEPTEMBER 1990	
No. N° N°	PART No. N° DE PIÈCE N° DE PIEZA	DESCRIPTION DESCRIPTION DESCRIPCION	No. REQ. N° REQ. N° REQ.	REMARKS REMARQUES NOTAS	No. N° N°	PART No. N° DE PIECE N° DE PIEZA	DESCRIPTION DESCRIPTION DESCRIPCION	No. REQ. N° REQ. N° REQ.	REMARKS REMARQUES NOTAS		
		TRANSMISSION GUARD					TOOL BOXES				
1	43771	MOUNTING ANGLE	2	REPAIR PART	35	12749	TOOL BOX - C/W ITEM 23	1			
2	*56509	GUARD	1		36	30626	TOOL BOX - NOT INCLUDING ITEM 23	1	A.W.D. UP TO S/N 20892		
3	*56497	COVER PLATE	1								
4	14A-05	LOCKWASHER	2			*57377	TOOL BOX - NOT INCLUDING ITEM 23	1	A.W.D.		
5	14C-05	FLATWASHER	2						S/N 20893 & UP		
6	*50A-0510	NUT	2								
7	50A-1216	BOLT	6								
8	14A-12	LOCKWASHER	6		37	27	STANDARD TOOLS HUB WRENCH	1			
9	30A-12	NUT	6		38	12261	CYLINDER WRENCH - 4"	1			
		PUSH BLOCK ASSEMBLY			39	12327	CYLINDER WRENCH - 3"	1			
10	8523	PUSH BLOCK	1				OPTIONAL TOOLS TIRE WRENCH	1			
11	8524	WEAR PLATE	3		40	821	SOCKET	1			
12	50A-1014	BOLT	12		41	821A	ALLEN WRENCH SET	1			
13	14A-10	LOCKWASHER	12		42	2519-3	SCREW DRIVER - SHORT	1			
14	50A-1636	BOLT	8		43	2519-4	SCREW DRIVER - LONG	1			
15	14A-16	LOCKWASHER	8		44	2519-5	PLIERS	1			
16	30A-16	NUT	8		45	2519-6	HAMMER	1			
		FRONT TOWING LUG			46	2519-7	OIL CAN	1			
17	49173	TOWING LUG	2	REPAIR PART	47	2519-8	GREASE GUN - C/W HOSE	1			
18	49844	PIN	1		48	2519-9	ADJUSTABLE WRENCH - 15"	1			
19	13A-0848	COTTER PIN	1		49	6505	ADJUSTABLE WRENCH - 12"	1			
		REAR TOWING LUG			50	6506	SPANNER SET	1			
20	49173	TOWING LUG	2	REPAIR PART	51	6507	HYDRAULIC JACK - 20 TON	1			
21	49174	PIN	1		52	9455	HYDRAULIC JACK - 7 TON	1			
22	13A-0848	COTTER PIN	1		53	*44568-1	ALLEN WRENCH - 5/16"	1			
		ANTI-VANDALISM EQUIPMENT			54	18275	CYLINDER WRENCH - 5"	1			
23	18968	PADLOCK	A.R.		55	51287	QUICK DISCONNECT COUPLING - FEMALE	1	HYDRAULIC SYSTEM TEST PORTS		
24	18989	LATCH RING	A.R.	REPAIR PART	56	*57307	SPACER - 24V	1			
25	19025	COVER - RADIATOR & FUEL CAP	2		57	*57308	MOUNTING BAR	2			
26	*57007	HASP	A.R.	REPAIR PART	58	*50A-0806 Zi	BOLT	4	A.W.D.		
27	30922	COVER - MOTOR CONTROL VALVE	1	A.W.D.	59	*14A-06 Zi	LOCKWASHER	4	S/N 20893 & UP		
28	32576	TRIM LOCK - 9" LONG	1		60	*30A-06 Zi	NUT	4			
29	33823	COVER - CONSOLE	1								
30	33824	SUPPORT ANGLE	1	REPAIR PART							
31	33827	SUPPORT ANGLE	1	REPAIR PART							
32	49381	COVER - HYDRAULIC TANK	1	A.W.D.							
33	51625	COVER - SWITCH PANEL	1								
34	*57006	COVER - PEDESTAL	1								

SECTION SECCION		PAGE PAGINA		ISSUE No. N° D'ÉMISSION N° DE EDICION		CHASSIS REMOVABLE ITEMS & ANTI-VANDALISM EQUIPMENT				JANUARY 1992	
No. N° N°	PART No. N° DE PIÈCE N° DE PIEZA	DESCRIPTION DÉSCRIPTION DESCRIPCION	No. REQ. N° REQ. N° REQ.	REMARKS REMARQUES NOTAS	No. N° N°	PART No. N° DE PIÈCE N° DE PIEZA	DESCRIPTION DÉSCRIPTION DESCRIPCION	No. REQ. N° REQ. N° REQ.	REMARKS REMARQUES NOTAS		
		TRANSMISSION GUARD			35	*76A-064	RIVET	3-6-7			
1	43771	MOUNTING ANGLE	2	REPAIR PART	36	*28344 x .75	FOAM TAPE	2			
2	56509	GUARD	1		37	*32576 x 21	TRIM LOCK	2			
3	56497	COVER PLATE	1		38	*57567	CATCH	1			
4	14A-05	LOCKWASHER	2		39	*57581	CATCH	1			
5	14C-05	FLATWASHER	2		40	*57805	COVER - SWITCH	1			
6	50A-0510	NUT	2		41	*28344 x 3	FOAM TAPE	2			
7	50A-1216	BOLT	6		42	*32576 x 6	TRIM LOCK	2			
8	14A-12	LOCKWASHER	6								
9	30A-12	NUT	6								
		PUSH BLOCK ASSEMBLY			43	*62083	TOOL BOXES TOOL BOX	1			
10	8523	PUSH BLOCK	1		44	57377	TOOL BOX	1	A.W.D.		
11	8524	WEAR PLATE	3								
12	50A-1014	BOLT	12		45	27	STANDARD TOOLS HUB WRENCH	1			
13	14A-10	LOCKWASHER	12		46	12261	CYLINDER WRENCH - 4"	1			
14	50A-1636	BOLT	8		47	12327	CYLINDER WRENCH - 3"	1			
15	14A-16	LOCKWASHER	8								
16	30A-16	NUT	8								
		FRONT TOWING LUG			48	821	OPTIONAL TOOLS TIRE WRENCH	1			
17	49173	TOWING LUG	2	REPAIR PART	49	*68288	SOCKET	1			
18	49844	PIN	1		50	2519-3	ALLEN WRENCH SET	1			
19	13A-0848	COTTER PIN	1		51	2519-4	SCREW DRIVER - SHORT	1			
		REAR TOWING LUG			52	2519-5	SCREW DRIVER - LONG	1			
20	49173	TOWING LUG	2	REPAIR PART	53	2519-6	PLIERS	1			
21	49174	PIN	1		54	2519-7	HAMMER	1			
22	13A-0848	COTTER PIN	1		55	2519-8	OIL CAN	1			
		ANTI-VANDALISM EQUIPMENT			56	2519-9	GREASE GUN - C/W HOSE	1			
23	18968	PADLOCK	A.R.		57	6505	ADJUSTABLE WRENCH - 15"	1			
24	18989	LATCH RING	A.R.	REPAIR PART	58	6506	ADJUSTABLE WRENCH - 12"	1			
25	19025	COVER - RADIATOR & FUEL CAP	2		59	6507	SPANNER SET	1			
26	57007	HASP	A.R.	REPAIR PART	60	9455	HYDRAULIC JACK - 20 TON	1			
27	30922	COVER - MOTOR CONTROL VALVE	1	A.W.D.		44568-1	HYDRAULIC JACK - 7 TON	1			
28	*32576 x 11	TRIM LOCK	1		61	15608	ALLEN WRENCH - 5/16"	1			
29	*57595	COVER - CONSOLE	1		62	18275	CYLINDER WRENCH - 5"	1			
30	49381	COVER - HYDRAULIC TANK	1	A.W.D.	63	51287	QUICK DISCONNECT COUPLING - FEMALE	1	HYDRAULIC SYSTEM TEST PORTS		
31	*57586	COVER - PEDESTAL	1		64	57307	SPACER - 24V	1			
32	*32576 x 25.5	TRIM LOCK	2		65	*58857	MOUNTING BAR	2			
33	*57592	CLIP	1	PANEL	66	50A-0806 ZI	BOLT	4	A.W.D.		
34	*57601	CATCH	1	BOX	67	14A-06 ZI	LOCKWASHER	4			
					68	30A-06 ZI	NUT	4			

EFFECTIVE SERIAL NUMBERS) 1 6224, 1 6245 & UP
 NUMEROS) DE SERIE EFFECTIFS)
 NUMEROS) DE SERIE EFFECTIVOS)
 U.S. 2021-2 & UP

700 SERIES
 SERIE 700

SECTION 11 PAGE 21
 SECTION 11 PAGINA 21



10
11
12
13
14
15
16

WARNING

1 READ AND UNDERSTAND ALL CONTROLS AND SAFETY PROCEDURES IN THE OPERATOR'S MANUAL BEFORE OPERATING GRADE.

2 DO NOT SELECT NEUTRAL FREE WHEEL OR OVERSPEED GRADE WHILE GOING DOWNHILL.

3 NEVER LEAVE THE ALL WHEEL DRIVE OR WHEN PERFORMING MAINTENANCE OR LEAVING THE OPERATOR'S STATION.

ALL WHEEL DRIVE - OPERATING INSTRUCTIONS

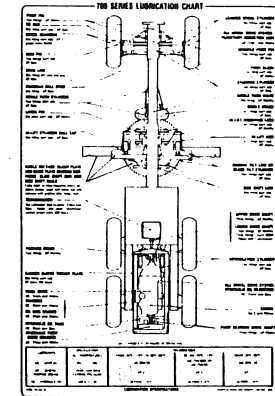
1 IF COLD STARTED WARNING LIGHT FLICKS, MAKE UP SYSTEM BY TIGHTENING DOWN WHEEL BEARING, OPERATING GRADE.

2 FROM CLEAR POSITION, PRESSURE TO HOLD THE POINT (WARNING LIGHT IS REQUIRED).

3 **WARNING** - PRESSURE WARNING LIGHT WILL FLASH WHEN DISCONNECTED.

4 BE CAREFUL - NEVER OPERATE SYSTEM WITH LOW OIL LEVEL. IN CASE OF OIL OR PRESSURE PROBLEMS, STOP ENGINE IMMEDIATELY. DO NOT RESTART ENGINE UNTIL PROBLEM IS CORRECTED.

5 BEFORE REPAIR WORK, DO OPERATOR MANUAL FOR LOCKING SYSTEM.



made in CANADA

fabriqué au CANADA

WARNING

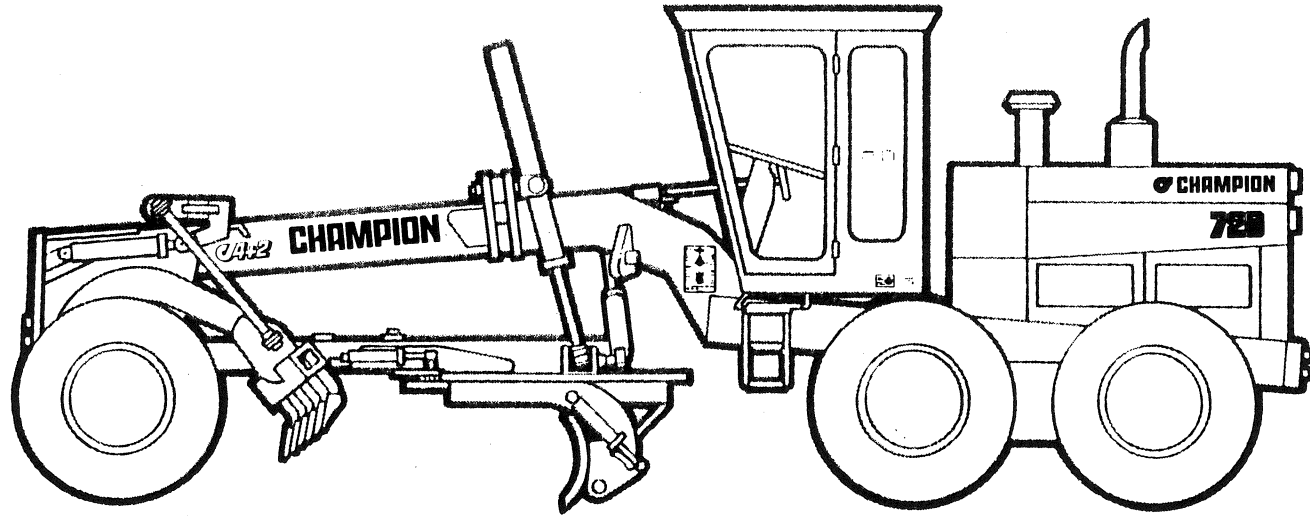
STAY CLEAR OF THE ARTICULATION HINGE AREA WHILE THE ENGINE IS RUNNING.

CHAMPION



ORMCO.

720



DECALS

ISSUE No. 1
 N° D'ÉMISSION 1
 N° DE EDICION 1

FOR LIST OF PARTS - TURN THIS PAGE

POUR LA LISTE DES PIÈCES - VOIR AU VERSO

PARA LA LISTA DE LAS PIEZAS - VER AL VERSO

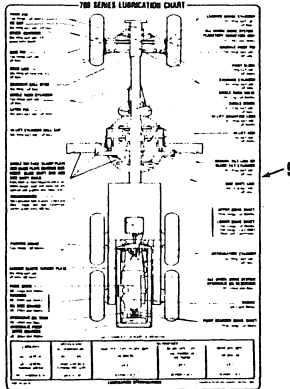
NOVEMBER 1984

USE ONLY CHAMPION ROAD MACHINERY APPROVED PARTS

SECTION SECCION		PAGE PAGINA		ISSUE No. N° D'ÉMISSION N° DE EDICION		DECALS				NOVEMBER 1984	
No. N° N°	PART No. N° DE PIÉCE N° DE PIEZA	DESCRIPTION DESCRIPTION DESCRIPCION	No. REQ. N° REQ. N° REQ.	REMARKS REMARQUES NOTAS	No. N° N°	PART No. N° DE PIÉCE N° DE PIEZA	DESCRIPTION DESCRIPTION DESCRIPCION	No. REQ. N° REQ. N° REQ.	REMARKS REMARQUES NOTAS		
1	23069	"710"	2								
	24881	"710A"	2								
	23339	"720"	2								
	23340	"720A"	2								
	36938	"730"	2								
	36939	"730A"	2								
	23341	"740"	2								
	23342	"740A"	2								
	23343	"760"	2								
	2	17783	D.R.M.C.O. - RADIATOR	1							
3	17785	D.R.M.C.O. - FRAME	2								
4	19543	ARTICULATION WARNING - ENGLISH	2								
	24842	ARTICULATION WARNING - FRENCH	2								
5	23333	CHAMPION - FRAME	2								
6	23369	CHAMPION - REAR GRILLE	1								
7	24177	CHAMPION - HOOD	2								
8	37146	LUBRICATION CHART - ENGLISH	1								
	37147	LUBRICATION CHART - FRENCH	1								
	37148	LUBRICATION CHART - SPANISH	1								
9	25747	"MADE IN CANADA"	2								
10	30774	"4 + 2" - FRAME	4	} ALL WHEEL DRIVE							
11	30775	"4 + 2" - CONTROLS	1								
12	30776	BOOST	1								
13	30791	"ZERO"	1								
14	30792	"MAX."	1								
15	30900	WARNING	1								
16	30901	OPERATING INSTRUCTIONS	1								

EFFECTIVE SERIAL NUMBER(S) 16806 & UP
 NUMEROS(S) DE SERIE EFFECTIF(S)
 NUMEROS(S) DE SERIE EFFETIVOIS
 U.S. 2419-2

700 SERIES
 SERIE 700
 SECTION 11 PAGE 21
 SECCION 11 PAGINA 21



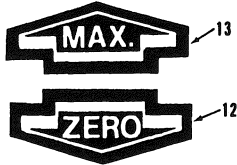
CHAMPION



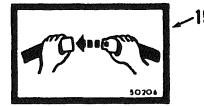
ORMCO.

720

WARNING
 NEVER EXCEED MAXIMUM OPERATING SPEED FOR EACH GEAR SELECTED BY MEANS OF DISENGAGING THE CLUTCH OR BY SELECTING NEUTRAL.
 SEE OPERATOR'S MANUAL FOR TOWING INSTRUCTIONS.
 ALWAYS DISCHARGE CLUTCH AND APPLY BRAKES BEFORE SELECTING FORWARD OR REVERSE MODE TO AVOID UNEXPECTED MACHINE MOVEMENT.



WARNING
 ALWAYS PLACE THE TRANSMISSION MODE LEVER IN NEUTRAL AND APPLY THE PARKING BRAKE WHENEVER THE GRADER IS NOT IN MOTION.
 DO NOT SERVICE THE TRANSMISSION CONTROL SYSTEM WHEN THE ENGINE IS RUNNING.



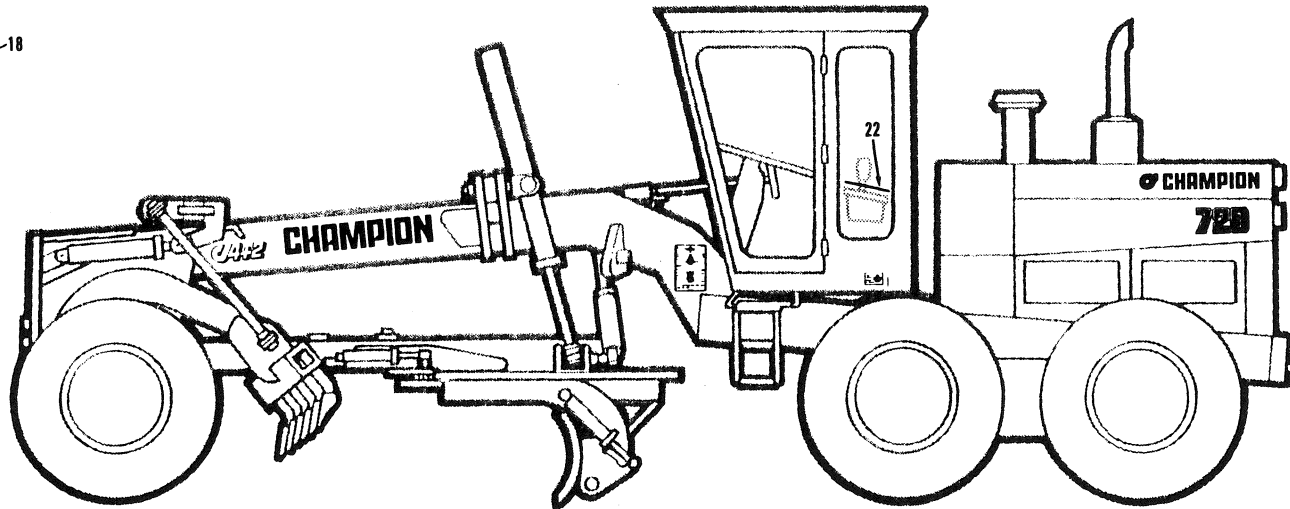
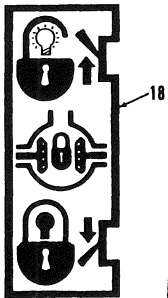
WARNING
 1. READ AND UNDERSTAND ALL CONTROLS AND SAFETY PROCEDURES IN THE OPERATOR'S MANUAL BEFORE OPERATING GRADER.
 2. DO NOT SELECT NEUTRAL FREE WHEEL OR OVERSPEED GRADER WHILE GOING DOWNHILL.
 3. NEVER LEAVE THE ALL WHEEL DRIVE ON WHEN PERFORMING MAINTENANCE OR LEAVING THE OPERATOR'S STATION.

ALL WHEEL-DRIVE OPERATING INSTRUCTIONS
 1. SUSTAINED HOODING IS RECOMMENDED WITH PLANTAINS DISCONNECTED.
 2. OIL LEVEL - NEVER OPERATE VEHICLE WITH LOW OIL LEVEL. CHECK OIL LEVEL ON CHANGE PRESURE COLORS. BRING GRADER TO A SAFE STOP AND SHUT ENGINE OFF IMMEDIATELY. DO NOT RESTART UNTIL FUEL IS COMPLETELY.
 3. BEFORE TOWING GRADER - SEE OPERATOR'S MANUAL FOR TOWING INSTRUCTIONS.



WARNING
 STAY CLEAR OF THE ARTICULATION HINGE AREA WHILE THE ENGINE IS RUNNING.

NOTICE / AVISO
 This page lists the location of the parts that are shown in the exploded view. It is intended to help you identify the parts in the machine.
 Cette page indique l'emplacement des pièces qui sont montrées dans la vue éclatée. Elle est destinée à vous aider à identifier les pièces dans la machine.



ISSUE No.
 N° D'ÉMISSION
 N° DE EDICION 2 REVISION A

DECALS

DECEMBER 1986

FOR LIST OF PARTS - TURN THIS PAGE

POUR LA LISTE DES PIÈCES - VOIR AU VERSO

PARA LA LISTA DE LAS PIEZAS - VER AL VERSO

USE ONLY CHAMPION ROAD MACHINERY APPROVED PARTS

SECTION SECCION		PAGE PAGINA		ISSUE No. N° D'ÉMISSION N° DE EDICION		2 REVISION A		DECALS		DECEMBER 1986	
No. N° N°	PART No. N° DE PIÈCE N° DE PIEZA	DESCRIPTION DÉSCRIPTION DESCRIPCION		No. REQ. N° REQ. N° REQ.	REMARKS REMARQUES NOTAS	No. N° N°	PART No. N° DE PIECE N° DE PIEZA	DESCRIPTION DÉSCRIPTION DESCRIPCION	No. REQ. N° REQ. N° REQ.	REMARKS REMARQUES NOTAS	
1	11559	ENGINE COOLANT NOTICE - TRILINGUAL		1							
	23069	"710"		2							
	24881	"710A"		2							
	23339	"720"		2							
	23340	"720A"		2							
	36938	"730"		2							
2	36939	"730A"		2							
	23341	"740"		2							
	23342	"740A"		2							
	23343	"760"		2							
	42313	"760A"		2							
	*44520	"780"		2							
	*44521	"780A"		2							
3	17783	D.R.M.C.O. - RADIATOR		1							
	17785	D.R.M.C.O. - FRAME		2							
	19543	ARTICULATION WARNING - ENGLISH		2							
4	24842	ARTICULATION WARNING - FRENCH		2							
	42462	ARTICULATION WARNING - SPANISH		2							
5	23333	CHAMPION - FRAME		2							
6	23369	CHAMPION - REAR GRILLE		1							
7	24177	CHAMPION - HOOD		2							
8	25747	"MADE IN CANADA"		2							
	*43531	LUBRICATION CHART - ENGLISH		1							
9	*43533	LUBRICATION CHART - FRENCH		1							
	*43532	LUBRICATION CHART - SPANISH		1							
10	30774	"4 + 2" - FRAME		4							
11	30775	"4 + 2" - CONTROLS		1							
12	30791	"ZERO"		1							
13	30792	"MAX."		1							
	30900	WARNING - ENGLISH		1	} ALL WHEEL DRIVE						
14	42378	WARNING - FRENCH		1							
	42379	WARNING - SPANISH		1							
	41857	OPERATING INSTRUCTIONS		1							
15	42102	OPERATING INSTRUCTIONS - FRENCH		1							
	42103	OPERATING INSTRUCTIONS - SPANISH		1							
	41566	CLUTCH WARNING - ENGLISH		1							
16	41567	CLUTCH WARNING - SPANISH		1							
	41568	CLUTCH WARNING - FRENCH		1							
	42063	TRANSMISSION WARNING - ENGLISH		1							
17	42064	TRANSMISSION WARNING - FRENCH		1							
	42065	TRANSMISSION WARNING - SPANISH		1							
18	*43666	DIFFERENTIAL LOCK/UNLOCK		1							
19	50206	SEATBELT DECAL		1							
20	*45072	D.R.M.C.O. DECAL KIT - ITEMS 3, 4, 8 & 9		A.R.	} ENGLISH ONLY						
21	*45073	CHAMPION DECAL KIT - ITEMS 4 THRU 9		A.R.							
22		TRANSMISSION CONTROLS DECAL		REF.	SECT. 6 PAGE 1/2						

EFFECTIVE SERIAL NUMBERS)
NUMÉROS(S) DE SÉRIE EFFECTIFS)
NUMÉROS(S) DE SÉRIE EFFECTIVOS)

18464 & UP

700 SERIES
SÉRIE 700

SECTION 11 PAGE
SECTION 11 PAGINA 21



WARNING

Power essential for braking and steering only operates when engine is running. If engine stalls push brake pedal hard and/or use hand brake to stop grader.

SAFETY INSTRUCTIONS

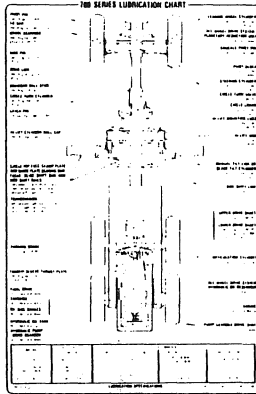
- 1 Shift transmission to a low gear and use clutch pedal to shift grader moving.
- 2 Use foot brake to stop and hold grader when transmission is in gear.
- 3 Set hand brake and lower moldboard and attachments before dismounting from grader. Leaving transmission in gear will not hold grader.
- 4 Release hand brake before moving grader.
- 5 Keep hand brake adjusted and check lever tension daily.
- 6 Do not coast down hills.



WARNING

Do not operate this machine unless you have read and understood the instructions and warnings in the Champion Operator's Manual and the Grader Safety Manual. Failure to follow the instructions or heed the warnings could result in injury or death. Proper care is your responsibility.

Contact your Champion distributor for replacement manuals.



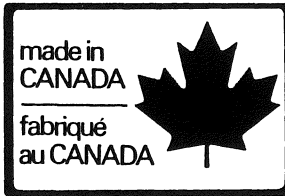
WARNING

- 1 READ AND UNDERSTAND ALL CONTROLS AND SAFETY PROCEDURES IN THE OPERATOR'S MANUAL BEFORE OPERATING GRADER.
- 2 DO NOT SELECT NEUTRAL, FREE WHEEL OR OVER-GEAR GRADER WHILE GOING DOWNHILL.
- 3 NEVER LEAVE THE ALL WHEEL DRIVE ON WHEN PERFORMING MAINTENANCE OR LEAVING THE OPERATOR'S STATION.

ALL-WHEEL-DRIVE OPERATING INSTRUCTIONS

SUSTAINED ROADING - Recommended and intended for use on roads.

DI LEVEL - When operating on low grades, the level is set on the ground. The level is set on the ground. The level is set on the ground. The level is set on the ground.



WARNING

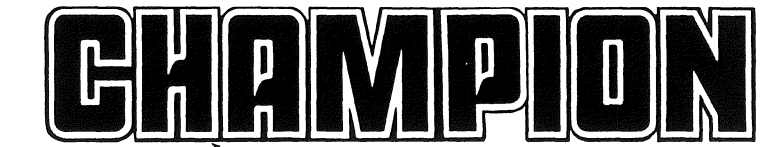
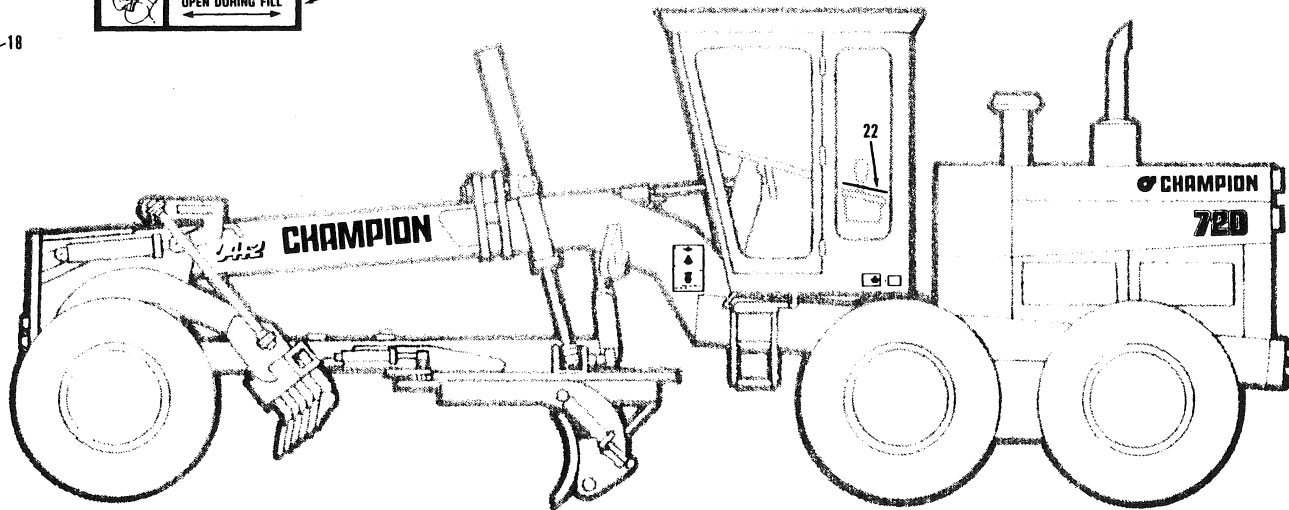
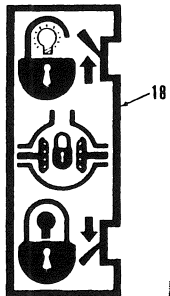
STAY CLEAR OF THE ARTICULATION HINGE AREA WHILE THE ENGINE IS RUNNING.



NOTICE / AVISO

The engine and fuel system of this grader has been checked and is safe to use.

El sistema de combustible del motor de este manipulador ha sido verificado y es seguro para su uso.



ISSUE No.
N° D'ÉMISSION
N° DE EDICION 3

DECALS

NOVEMBER 1987

FOR LIST OF PARTS - TURN THIS PAGE

POUR LA LISTE DES PIÈCES - VOIR AU VERSO

PARA LA LISTA DE LAS PIEZAS - VER AL VERSO

USE ONLY CHAMPION APPROVED PARTS

SECTION SECCION		PAGE PAGINA		ISSUE No. N° D'ÉMISSION N° DE EDICION		DECALS			NOVEMBER 1987	
No. N° N°	PART No. N° DE PIÈCE N° DE PIEZA	DESCRIPTION DÉSCRIPTION DESCRIPCION	No. REQ. N° REQ. N° REQ.	REMARKS REMARQUES NOTAS	No. N° N°	PART No. N° DE PIECE N° DE PIEZA	DESCRIPTION DÉSCRIPTION DESCRIPCION	No. REQ. N° REQ. N° REQ.	REMARKS REMARQUES NOTAS	
1	11559	ENGINE COOLANT NOTICE - TRILINGUAL	1							
	23069	"710"	2							
	24881	"710A"	2							
	23339	"720"	2							
	23340	"720A"	2							
	36938	"730"	2							
2	36939	"730A"	2							
	23341	"740"	2							
	23342	"740A"	2							
	*46247	"750"	2							
	*46248	"750A"	2							
	44520	"780"	2							
	44521	"780A"	2							
3	17783	D.R.M.C.O. - RADIATOR	1							
	17785	D.R.M.C.O. - FRAME	2							
4	19543	ARTICULATION WARNING - ENGLISH	2							
	24842	ARTICULATION WARNING - FRENCH	2							
	42462	ARTICULATION WARNING - SPANISH	2							
5	23333	CHAMPION - FRAME	2							
6	23369	CHAMPION - REAR GRILLE	1							
7	24177	CHAMPION - HOOD	2							
8	25747	"MADE IN CANADA"	1							
9	43531	LUBRICATION CHART - ENGLISH	1							
	43533	LUBRICATION CHART - FRENCH	1							
	43532	LUBRICATION CHART - SPANISH	1							
10	30774	"4 + 2" - FRAME	4							
11	30775	"4 + 2" - CONTROLS	1							
12	30791	"ZERO"	1							
13	30792	"MAX."	1							
14	30900	WARNING - ENGLISH	1	} ALL WHEEL DRIVE						
	42378	WARNING - FRENCH	1							
	42379	WARNING - SPANISH	1							
15	41857	OPERATING INSTRUCTIONS - ENGLISH	1							
	42102	OPERATING INSTRUCTIONS - FRENCH	1							
	42103	OPERATING INSTRUCTIONS - SPANISH	1							
16	*46499	OPERATORS MANUAL - ENGLISH	1							
	*46500	OPERATORS MANUAL - FRENCH	1							
	*46501	OPERATORS MANUAL - SPANISH	1							
	*46502	WARNING - SAFETY INSTRUCTIONS - ENGLISH	1							
17	*46503	WARNING - SAFETY INSTRUCTIONS - SPANISH	1							
	*46504	WARNING - SAFETY INSTRUCTIONS - FRENCH	1							
18	43666	DIFFERENTIAL LOCK/UNLOCK	1							
19	45072	D.R.M.C.O. DECAL KIT - ITEMS 3, 4, 8 & 9	A.R.	} ENGLISH ONLY						
20	45073	CHAMPION DECAL KIT - ITEMS 4 THRU 9	A.R.							
21	*46629	ENGINE DE-AERATING - DECAL	1	720 THRU 730A						
22		TRANSMISSION CONTROLS DECAL	REF.	SECT. 6 PAGE 1/2						

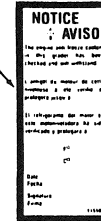
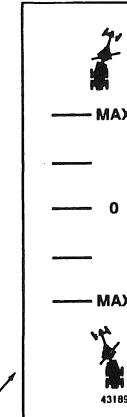
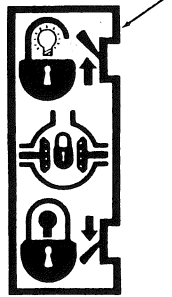
SECTION SECCION		PAGE PAGINA		ISSUE No. N° D'ÉMISSION N° DE EDICION		DECALS				JUNE 1989	
No. N° N°	PART No. N° DE PIÈCE N° DE PIEZA	DESCRIPTION DÉSCRIPTION DESCRIPCION	No. REQ. N° REQ. N° REQ.	REMARKS REMARQUES NOTAS	No. N° N°	PART No. N° DE PIECE N° DE PIEZA	DESCRIPTION DÉSCRIPTION DESCRIPCION	No. REQ. N° REQ. N° REQ.	REMARKS REMARQUES NOTAS		
1	11559	ENGINE COOLANT NOTICE - TRILINGUAL	1								
	23069	*710*	2								
	24881	*710A*	2								
	23339	*720*	2								
	23340	*720A*	2								
	36938	*730*	2								
2	36939	*730A*	2								
	23341	*740*	2								
	23342	*740A*	2								
	46247	*750*	2								
	46248	*750A*	2								
	44520	*780*	2								
	44521	*780A*	2								
3	23333	CHAMPION - FRAME	2								
4	23369	CHAMPION - REAR GRILLE	1								
5	24177	CHAMPION - HOOD	2								
6	25747	*MADE IN CANADA*	1								
	*51569	LUBRICATION CHART - ENGLISH	1								
7	*53468	LUBRICATION CHART - FRENCH	1								
	*53030	LUBRICATION CHART - SPANISH	1								
8	30774	*4 + 2* - FRAME	4								
9	30775	*4 + 2* - CONTROLS	1	ALL WHEEL DRIVE							
10	30791	*ZERO*	1								
11	30792	*MAX*	1								
12	43666	DIFFERENTIAL LOCK/UNLOCK	1								
13	46629	ENGINE DE-AERTING - DECAL	1	720 thru 730A							
14	*49569	12 VOLT	1								
15		TRANSMISSION CONTROLS DECAL	REF.	SECTION 6							
	45073	CHAMPION DECAL KIT - ITEMS 3 THRU 7	A.R.	PAGE 2 ENGLISH ONLY							

CHAMPION 8

CHAMPION 9

730 A 10
Series III

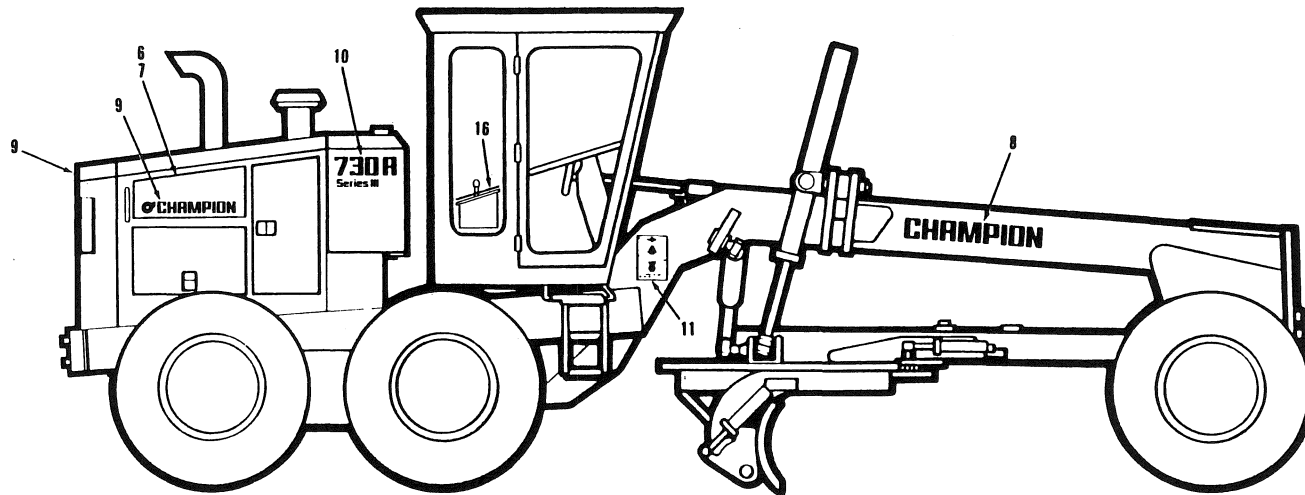
4+2 12 13



700 SERIES LUBE CHART

Component	Oil Type	Quantity
Engine	SAE 15W-40	10.5 L (2.8 gal)
Hydraulic System	SAE 46	15.0 L (4.0 gal)
Transmission	SAE 90	1.5 L (0.4 gal)
Final Drive	SAE 90	1.5 L (0.4 gal)
Wheel Bearings	SAE 30	0.5 L (0.1 gal)
Grease Points	SAE 2	As specified

12 VOLT 4959



DECALS

JANUARY 1990

EFFECTIVE SERIAL NUMBER(S)
NUMEROS (S) DE SERIE EFFECTIF(S)
NUMEROS (S) DE SERIE EFECTIVO(S)

19982, 19984, 19985, 19996,
20005, 20104, 20106, 20120
& UP

700 SERIES
SERIE 700

SECTION 11 PAGE
SECTION 11 PAGINA
21

ISSUE No.
N° D'ÉMISSION
N° DE EDICION 5

FOR LIST OF PARTS - TURN THIS PAGE

POUR LA LISTE DES PIÈCES - VOIR AU VERSO

PARA LA LISTA DE LAS PIEZAS - VER AL VERSO

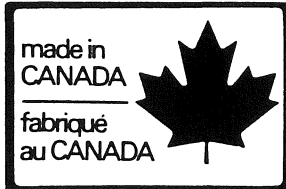
USE ONLY CHAMPION APPROVED PARTS

SECTION SECCION		PAGE PAGINA		ISSUE No. N° D'ÉMISSION N° DE EDICION		DECALS				JANUARY 1990	
No. N° N°	PART No. N° DE PIÈCE N° DE PIEZA	DESCRIPTION DESCRIPTION DESCRIPCION	No. REQ. N° REQ. N° REQ.	REMARKS REMARQUES NOTAS	No. N° N°	PART No. N° DE PIÈCE N° DE PIEZA	DESCRIPTION DESCRIPTION DESCRIPCION	No. REQ. N° REQ. N° REQ.	REMARKS REMARQUES NOTAS		
1	11559	ENGINE COOLANT NOTICE - TRILINGUAL	1								
2	25747	"MADE IN CANADA"	1								
3	43666	DIFFERENTIAL LOCK/UNLOCK	1								
4	46629	ENGINE DE-AERTING	1	720 thru 730A							
5	49569	12 VOLT	1								
6	*52902	PIN STRIPE - L.H.	1								
7	*52903	PIN STRIPE - R.H.	1								
8	54710	CHAMPION - FRAME	2								
9	*54711	CHAMPION - REAR GRILLE & SIDE	3	SEE NOTE 1							
	*54712	"710A" SERIES III	2								
	*54713	"720A" SERIES III	2								
	*54714	"730A" SERIES III	2	SEE NOTE 2							
10	*54715	"740A" SERIES III	2								
	*54716	"750A" SERIES III	2								
	*54717	"780A" SERIES III	2								
	*54923	LUBRICATION CHART - ENGLISH	1								
11	*54924	LUBRICATION CHART - SPANISH	1								
	*54925	LUBRICATION CHART - FRENCH	1								
12	30775	"4 + 2" - CONTROLS	1								
13	*55306	"4 + 2" - FRAMES	4	ALL WHEEL DRIVE							
14	30791	"ZERO"	1								
15	30792	"MAX"	1								
16		TRANSMISSION CONTROLS	REF.	SECTION 6 PAGE 2							
17	*43189	ARTICULATION INDICATOR	1	SECTION 1 PAGE 22							
	NOTE 1:	FOR REAR GRILLE REMOVE GEAR SYMBOL									
	NOTE 2:	FOR RIGID MACHINES REMOVE LETTER A									

CHAMPION

CHAMPION

730 A Series III



U4+2

LUBRICATION CHART

1. Fuel Filter - One thing each season.	13. Drive Shaft Oil - One thing each season.	23. Engine Oil - See section on Engine Oil.
2. Air Filter - One thing each season.	14. Upper and Lower Drive Shafts - One thing each season.	24. Hydraulic Oil - See section on Hydraulic Oil.
3. Water Pump Oil - One thing each season.	15. Transmission Oil - One thing each season.	25. Final Drive Oil - One thing each season.
4. Hydraulic Pump Oil - One thing each season.	16. Hydraulic Pump Drive Shaft - One thing each season.	26. Final Drive Oil - One thing each season.
5. Hydraulic Pump Drive Shaft - One thing each season.	17. Hydraulic Pump Drive Shaft - One thing each season.	27. Final Drive Oil - One thing each season.
6. Steering Oil - One thing each season.	18. A.W.D. Pump Drive Shaft - One thing each season.	28. Final Drive Oil - One thing each season.
7. Steering Oil - One thing each season.	19. A.W.D. Pump Drive Shaft - One thing each season.	29. Final Drive Oil - One thing each season.
8. Drive Train Oil - One thing each season.	20. A.W.D. Pump Drive Shaft - One thing each season.	30. Final Drive Oil - One thing each season.
9. Drive Train Oil - One thing each season.	21. A.W.D. Pump Drive Shaft - One thing each season.	31. Final Drive Oil - One thing each season.
10. Drive Train Oil - One thing each season.	22. A.W.D. Pump Drive Shaft - One thing each season.	32. Final Drive Oil - One thing each season.

ADDITIONAL POINTS - SEE SECTION ON ENGINE OIL

1. Fuel Filter - One thing each season.
2. Air Filter - One thing each season.
3. Water Pump Oil - One thing each season.
4. Hydraulic Pump Oil - One thing each season.
5. Hydraulic Pump Drive Shaft - One thing each season.
6. Steering Oil - One thing each season.
7. Steering Oil - One thing each season.
8. Drive Train Oil - One thing each season.
9. Drive Train Oil - One thing each season.
10. Drive Train Oil - One thing each season.
11. Drive Train Oil - One thing each season.
12. Drive Train Oil - One thing each season.
13. Drive Shaft Oil - One thing each season.
14. Upper and Lower Drive Shafts - One thing each season.
15. Transmission Oil - One thing each season.
16. Hydraulic Pump Drive Shaft - One thing each season.
17. Hydraulic Pump Drive Shaft - One thing each season.
18. A.W.D. Pump Drive Shaft - One thing each season.
19. A.W.D. Pump Drive Shaft - One thing each season.
20. A.W.D. Pump Drive Shaft - One thing each season.
21. A.W.D. Pump Drive Shaft - One thing each season.
22. A.W.D. Pump Drive Shaft - One thing each season.
23. Engine Oil - See section on Engine Oil.
24. Hydraulic Oil - See section on Hydraulic Oil.
25. Final Drive Oil - One thing each season.
26. Final Drive Oil - One thing each season.
27. Final Drive Oil - One thing each season.
28. Final Drive Oil - One thing each season.
29. Final Drive Oil - One thing each season.
30. Final Drive Oil - One thing each season.
31. Final Drive Oil - One thing each season.
32. Final Drive Oil - One thing each season.

Refer to 730 SERIES GRADER Operator's Manual for detailed information.

LUBRICANT SPECIFICATIONS	
MIN. TEMPERATURE RANGE	GRADE
-18 to -22	SAE 15W-40
-12 to -18	SAE 10W-30
-6 to -12	SAE 10W-30
0 to -6	SAE 10W-30
6 to 12	SAE 10W-30
12 to 18	SAE 10W-30
18 to 24	SAE 10W-30
24 to 30	SAE 10W-30
30 to 36	SAE 10W-30
36 to 42	SAE 10W-30
42 to 48	SAE 10W-30
48 to 54	SAE 10W-30
54 to 60	SAE 10W-30
60 to 66	SAE 10W-30
66 to 72	SAE 10W-30
72 to 78	SAE 10W-30
78 to 84	SAE 10W-30
84 to 90	SAE 10W-30
90 to 96	SAE 10W-30
96 to 102	SAE 10W-30
102 to 108	SAE 10W-30
108 to 114	SAE 10W-30
114 to 120	SAE 10W-30
120 to 126	SAE 10W-30
126 to 132	SAE 10W-30
132 to 138	SAE 10W-30
138 to 144	SAE 10W-30
144 to 150	SAE 10W-30
150 to 156	SAE 10W-30
156 to 162	SAE 10W-30
162 to 168	SAE 10W-30
168 to 174	SAE 10W-30
174 to 180	SAE 10W-30
180 to 186	SAE 10W-30
186 to 192	SAE 10W-30
192 to 198	SAE 10W-30
198 to 204	SAE 10W-30
204 to 210	SAE 10W-30
210 to 216	SAE 10W-30
216 to 222	SAE 10W-30
222 to 228	SAE 10W-30
228 to 234	SAE 10W-30
234 to 240	SAE 10W-30
240 to 246	SAE 10W-30
246 to 252	SAE 10W-30
252 to 258	SAE 10W-30
258 to 264	SAE 10W-30
264 to 270	SAE 10W-30
270 to 276	SAE 10W-30
276 to 282	SAE 10W-30
282 to 288	SAE 10W-30
288 to 294	SAE 10W-30
294 to 300	SAE 10W-30
300 to 306	SAE 10W-30
306 to 312	SAE 10W-30
312 to 318	SAE 10W-30
318 to 324	SAE 10W-30
324 to 330	SAE 10W-30
330 to 336	SAE 10W-30
336 to 342	SAE 10W-30
342 to 348	SAE 10W-30
348 to 354	SAE 10W-30
354 to 360	SAE 10W-30
360 to 366	SAE 10W-30
366 to 372	SAE 10W-30
372 to 378	SAE 10W-30
378 to 384	SAE 10W-30
384 to 390	SAE 10W-30
390 to 396	SAE 10W-30
396 to 402	SAE 10W-30
402 to 408	SAE 10W-30
408 to 414	SAE 10W-30
414 to 420	SAE 10W-30
420 to 426	SAE 10W-30
426 to 432	SAE 10W-30
432 to 438	SAE 10W-30
438 to 444	SAE 10W-30
444 to 450	SAE 10W-30
450 to 456	SAE 10W-30
456 to 462	SAE 10W-30
462 to 468	SAE 10W-30
468 to 474	SAE 10W-30
474 to 480	SAE 10W-30
480 to 486	SAE 10W-30
486 to 492	SAE 10W-30
492 to 498	SAE 10W-30
498 to 504	SAE 10W-30
504 to 510	SAE 10W-30
510 to 516	SAE 10W-30
516 to 522	SAE 10W-30
522 to 528	SAE 10W-30
528 to 534	SAE 10W-30
534 to 540	SAE 10W-30
540 to 546	SAE 10W-30
546 to 552	SAE 10W-30
552 to 558	SAE 10W-30
558 to 564	SAE 10W-30
564 to 570	SAE 10W-30
570 to 576	SAE 10W-30
576 to 582	SAE 10W-30
582 to 588	SAE 10W-30
588 to 594	SAE 10W-30
594 to 600	SAE 10W-30
600 to 606	SAE 10W-30
606 to 612	SAE 10W-30
612 to 618	SAE 10W-30
618 to 624	SAE 10W-30
624 to 630	SAE 10W-30
630 to 636	SAE 10W-30
636 to 642	SAE 10W-30
642 to 648	SAE 10W-30
648 to 654	SAE 10W-30
654 to 660	SAE 10W-30
660 to 666	SAE 10W-30
666 to 672	SAE 10W-30
672 to 678	SAE 10W-30
678 to 684	SAE 10W-30
684 to 690	SAE 10W-30
690 to 696	SAE 10W-30
696 to 702	SAE 10W-30
702 to 708	SAE 10W-30
708 to 714	SAE 10W-30
714 to 720	SAE 10W-30
720 to 726	SAE 10W-30
726 to 732	SAE 10W-30
732 to 738	SAE 10W-30
738 to 744	SAE 10W-30
744 to 750	SAE 10W-30
750 to 756	SAE 10W-30
756 to 762	SAE 10W-30
762 to 768	SAE 10W-30
768 to 774	SAE 10W-30
774 to 780	SAE 10W-30
780 to 786	SAE 10W-30
786 to 792	SAE 10W-30
792 to 798	SAE 10W-30
798 to 804	SAE 10W-30
804 to 810	SAE 10W-30
810 to 816	SAE 10W-30
816 to 822	SAE 10W-30
822 to 828	SAE 10W-30
828 to 834	SAE 10W-30
834 to 840	SAE 10W-30
840 to 846	SAE 10W-30
846 to 852	SAE 10W-30
852 to 858	SAE 10W-30
858 to 864	SAE 10W-30
864 to 870	SAE 10W-30
870 to 876	SAE 10W-30
876 to 882	SAE 10W-30
882 to 888	SAE 10W-30
888 to 894	SAE 10W-30
894 to 900	SAE 10W-30
900 to 906	SAE 10W-30
906 to 912	SAE 10W-30
912 to 918	SAE 10W-30
918 to 924	SAE 10W-30
924 to 930	SAE 10W-30
930 to 936	SAE 10W-30
936 to 942	SAE 10W-30
942 to 948	SAE 10W-30
948 to 954	SAE 10W-30
954 to 960	SAE 10W-30
960 to 966	SAE 10W-30
966 to 972	SAE 10W-30
972 to 978	SAE 10W-30
978 to 984	SAE 10W-30
984 to 990	SAE 10W-30
990 to 996	SAE 10W-30
996 to 1002	SAE 10W-30

OCTOBER 1990

PARA LA LISTA DE LAS PIEZAS - VER AL VERSO

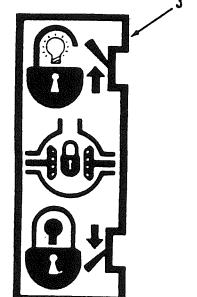
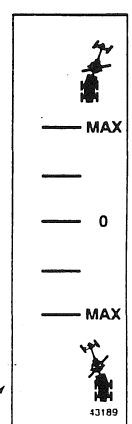
POUR LA LISTE DES PIÈCES - VOIR AU VERSO

DECALS

FOR LIST OF PARTS - TURN THIS PAGE

ISSUE NO. N° D'ÉMISSION N° DE EDICIÓN 6

CHAMPION ROAD MACHINERY



NOTICE / AVISO

The engine oil level should be checked before starting the engine and after every 2 hours of operation.

1. Check the oil level before starting the engine.

2. Check the oil level after every 2 hours of operation.

3. Check the oil level before stopping the engine.

4. Check the oil level after every 2 hours of operation.

5. Check the oil level before starting the engine.

6. Check the oil level after every 2 hours of operation.

7. Check the oil level before stopping the engine.

8. Check the oil level after every 2 hours of operation.

9. Check the oil level before starting the engine.

10. Check the oil level after every 2 hours of operation.

11. Check the oil level before stopping the engine.

12. Check the oil level after every 2 hours of operation.

13. Check the oil level before starting the engine.

14. Check the oil level after every 2 hours of operation.

15. Check the oil level before stopping the engine.

16. Check the oil level after every 2 hours of operation.

17. Check the oil level before starting the engine.

18. Check the oil level after every 2 hours of operation.

19. Check the oil level before stopping the engine.

20. Check the oil level after every 2 hours of operation.

21. Check the oil level before starting the engine.

22. Check the oil level after every 2 hours of operation.

23. Check the oil level before stopping the engine.

24. Check the oil level after every 2 hours of operation.

25. Check the oil level before starting the engine.

26. Check the oil level after every 2 hours of operation.

27. Check the oil level before stopping the engine.

28. Check the oil level after every 2 hours of operation.

29. Check the oil level before starting the engine.

30. Check the oil level after every 2 hours of operation.

31. Check the oil level before stopping the engine.

32. Check the oil level after every 2 hours of operation.

33. Check the oil level before starting the engine.

34. Check the oil level after every 2 hours of operation.

35. Check the oil level before stopping the engine.

36. Check the oil level after every 2 hours of operation.

37. Check the oil level before starting the engine.

38. Check the oil level after every 2 hours of operation.

39. Check the oil level before stopping the engine.

40. Check the oil level after every 2 hours of operation.

41. Check the oil level before starting the engine.

42. Check the oil level after every 2 hours of operation.

43. Check the oil level before stopping the engine.

44. Check the oil level after every 2 hours of operation.

45. Check the oil level before starting the engine.

46. Check the oil level after every 2 hours of operation.

47. Check the oil level before stopping the engine.

48. Check the oil level after every 2 hours of operation.

49. Check the oil level before starting the engine.

50. Check the oil level after every 2 hours of operation.

51. Check the oil level before stopping the engine.

52. Check the oil level after every 2 hours of operation.

53. Check the oil level before starting the engine.

54. Check the oil level after every 2 hours of operation.

55. Check the oil level before stopping the engine.

56. Check the oil level after every 2 hours of operation.

57. Check the oil level before starting the engine.

58. Check the oil level after every 2 hours of operation.

59. Check the oil level before stopping the engine.

60. Check the oil level after every 2 hours of operation.

61. Check the oil level before starting the engine.

62. Check the oil level after every 2 hours of operation.

63. Check the oil level before stopping the engine.

64. Check the oil level after every 2 hours of operation.

65. Check the oil level before starting the engine.

66. Check the oil level after every 2 hours of operation.

67. Check the oil level before stopping the engine.

68. Check the oil level after every 2 hours of operation.

69. Check the oil level before starting the engine.

70. Check the oil level after every 2 hours of operation.

71. Check the oil level before stopping the engine.

72. Check the oil level after every 2 hours of operation.

73. Check the oil level before starting the engine.

74. Check the oil level after every 2 hours of operation.

75. Check the oil level before stopping the engine.

76. Check the oil level after every 2 hours of operation.

77. Check the oil level before starting the engine.

78. Check the oil level after every 2 hours of operation.

79. Check the oil level before stopping the engine.

80. Check the oil level after every 2 hours of operation.

81. Check the oil level before starting the engine.

82. Check the oil level after every 2 hours of operation.

83. Check the oil level before stopping the engine.

84. Check the oil level after every 2 hours of operation.

85. Check the oil level before starting the engine.

86. Check the oil level after every 2 hours of operation.

87. Check the oil level before stopping the engine.

88. Check the oil level after every 2 hours of operation.

89. Check the oil level before starting the engine.

90. Check the oil level after every 2 hours of operation.

91. Check the oil level before stopping the engine.

92. Check the oil level after every 2 hours of operation.

93. Check the oil level before starting the engine.

94. Check the oil level after every 2 hours of operation.

95. Check the oil level before stopping the engine.

96. Check the oil level after every 2 hours of operation.

97. Check the oil level before starting the engine.

98. Check the oil level after every 2 hours of operation.

99. Check the oil level before stopping the engine.

100. Check the oil level after every 2 hours of operation.

In case of difficulty in obtaining Parts or Service for your motor grader, please contact Champion Road Machinery, Goderich, Ontario, Canada.

Telephone: 519-524-2601
Telex: 519-524-5175
Telefax: 069-55175 CHAMPARTS GDCH

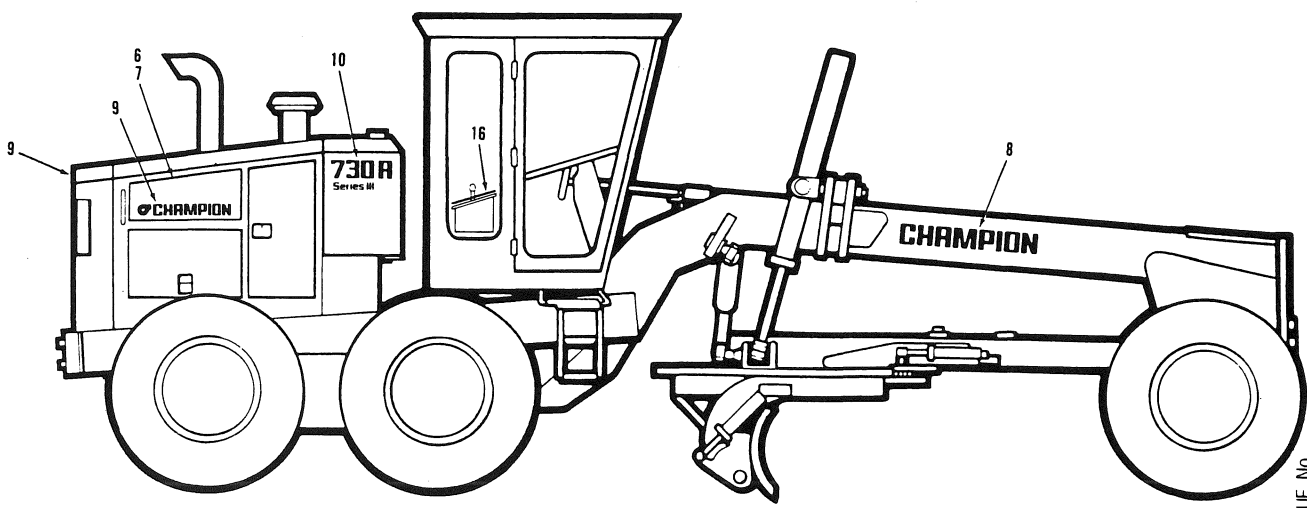
Si des difficultés surgissent durant l'action de procurer des pièces de rechange ou de service pour votre niveleuse, S.V.P. adressez-vous à Champion Road Machinery, Goderich, Ontario, Canada.

Telephone: 519-524-2601
Telecopieur: 519-524-5175
Télex: 069-55175 CHAMPARTS GDCH

En el caso de las dificultades cuando Usted obtiene los repuestos o el servicio para su motoniveladora, los números para ponerse en contacto con Champion Road Machinery, Goderich, Ontario, Canada, son:

Teléfono: 519-524-2601
Teléfono: 519-524-5175
Teléx: 069-55175 CHAMPARTS GDCH

57163



EFFECTIVE SERIAL NUMBER(S) 21078 & UP
NUMERO(S) DE SÉRIE EFFECTIF(S)
NUMERO(S) DE SÉRIE EFECTIVO(S)

700 SERIES
SERIE 700

SECTION 11 PAGE 21
SECCION 11 PAGINA 21

SECTION 11 SECCION		PAGE 22 PAGINA	ISSUE No. N° D'ÉMISSION N° DE EDICION	6	DECALS			OCTOBER 1990	
No. N° N°	PART No. N° DE PIÈCE N° DE PIEZA	DESCRIPTION DESCRIPTION DESCRIPCION	No. REQ. N° REQ. N° REQ.	REMARKS REMARQUES NOTAS	No. N° N°	PART No. N° DE PIECE N° DE PIEZA	DESCRIPTION DESCRIPTION DESCRIPCION	No. REQ. N° REQ. N° REQ.	REMARKS REMARQUES NOTAS
1	11559	ENGINE COOLANT NOTICE - TRILINGUAL	1						
2	25747	"MADE IN CANADA"	1						
3	43666	DIFFERENTIAL LOCK/UNLOCK	1						
4	46629	ENGINE DE-AERATING	1	720 thru 730A					
5	49569	12 VOLT	1						
6	52902	PIN STRIPE - L.H.	1						
7	52903	PIN STRIPE - R.H.	1						
8	54710	CHAMPION - FRAME	2						
9	54711	CHAMPION - REAR GRILLE & SIDE	3	SEE NOTE 1					
10	54712	"710A" SERIES III	2	SEE NOTE 2					
	54713	"720A" SERIES III	2						
	54714	"730A" SERIES III	2						
	54715	"740A" SERIES III	2						
	54716	"750A" SERIES III	2						
11	54717	"780A" SERIES III	2						
	*38648	LUBRICATION CHART - ENGLISH	1						
	*38649	LUBRICATION CHART - FRENCH	1						
	*38650	LUBRICATION CHART - SPANISH	1						
12	30775	"4 + 2" - CONTROLS	1	ALL WHEEL DRIVE					
13	55306	"4 + 2" - FRAMES	4						
14	30791	"ZERO"	1						
15	30792	"MAX"	1						
16.		TRANSMISSION CONTROLS	REF.	Sect 6 Pg 1					
17	43189	ARTICULATION INDICATOR	1	Sect 1 Pg 21					
18	*57163	CHAMPION PHONE NUMBER DECAL	1						
	NOTE 1:	FOR REAR GRILLE REMOVE GEAR SYMBOL							
	NOTE 2:	FOR RIGID MACHINES REMOVE LETTER A							

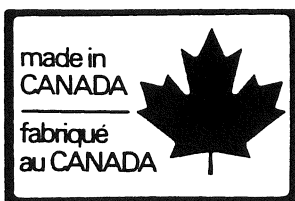
CHAMPION



CHAMPION

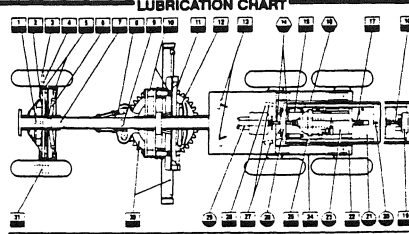
730A

Series III



U4+2

LUBRICATION CHART



SEARCH SYMBOLS

1. Motor and Lower Drive Shafts
2. Drive Shafts and Axles
3. Wheel Bearings
4. Front and Rear Axle Hubs
5. Front and Rear Axle Bearings
6. Front and Rear Axle Seals
7. Front and Rear Axle U-Bolts
8. Front and Rear Axle Lock Washers
9. Front and Rear Axle Nuts
10. Front and Rear Axle Spacers
11. Front and Rear Axle Shims
12. Front and Rear Axle Washers
13. Front and Rear Axle Spacers
14. Front and Rear Axle Shims
15. Front and Rear Axle Washers
16. Front and Rear Axle Spacers
17. Front and Rear Axle Shims

SEARCH SYMBOLS

1. Motor and Lower Drive Shafts
2. Drive Shafts and Axles
3. Wheel Bearings
4. Front and Rear Axle Hubs
5. Front and Rear Axle Bearings
6. Front and Rear Axle Seals
7. Front and Rear Axle U-Bolts
8. Front and Rear Axle Lock Washers
9. Front and Rear Axle Nuts
10. Front and Rear Axle Spacers
11. Front and Rear Axle Shims
12. Front and Rear Axle Washers
13. Front and Rear Axle Spacers
14. Front and Rear Axle Shims
15. Front and Rear Axle Washers
16. Front and Rear Axle Spacers
17. Front and Rear Axle Shims

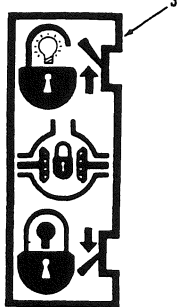
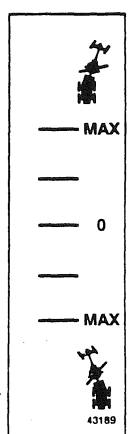
LUBRICANT SPECIFICATIONS

LUBRICANT	TEMPERATURE RANGE (°C)									
	-30	-20	-10	0	10	20	30	40	50	60
Motor and Lower Drive Shafts										
Drive Shafts and Axles										
Wheel Bearings										
Front and Rear Axle Hubs										
Front and Rear Axle Bearings										
Front and Rear Axle Seals										
Front and Rear Axle U-Bolts										
Front and Rear Axle Lock Washers										
Front and Rear Axle Nuts										
Front and Rear Axle Spacers										
Front and Rear Axle Shims										
Front and Rear Axle Washers										
Front and Rear Axle Spacers										
Front and Rear Axle Shims										
Front and Rear Axle Washers										
Front and Rear Axle Spacers										
Front and Rear Axle Shims										
Front and Rear Axle Washers										

NOTICE + AVISO

The engine oil level must be checked and set correctly at the top of the oil level indicator.

El nivel de aceite del motor debe chequearse y ajustarse en la parte superior de la escala de nivel de aceite.



12 VOLT

ATTENTION OPEN DURING FILL

In case of difficulty in obtaining Parts or Service for your motor grader please contact Champion Road Machinery, Goderich, Ontario, Canada

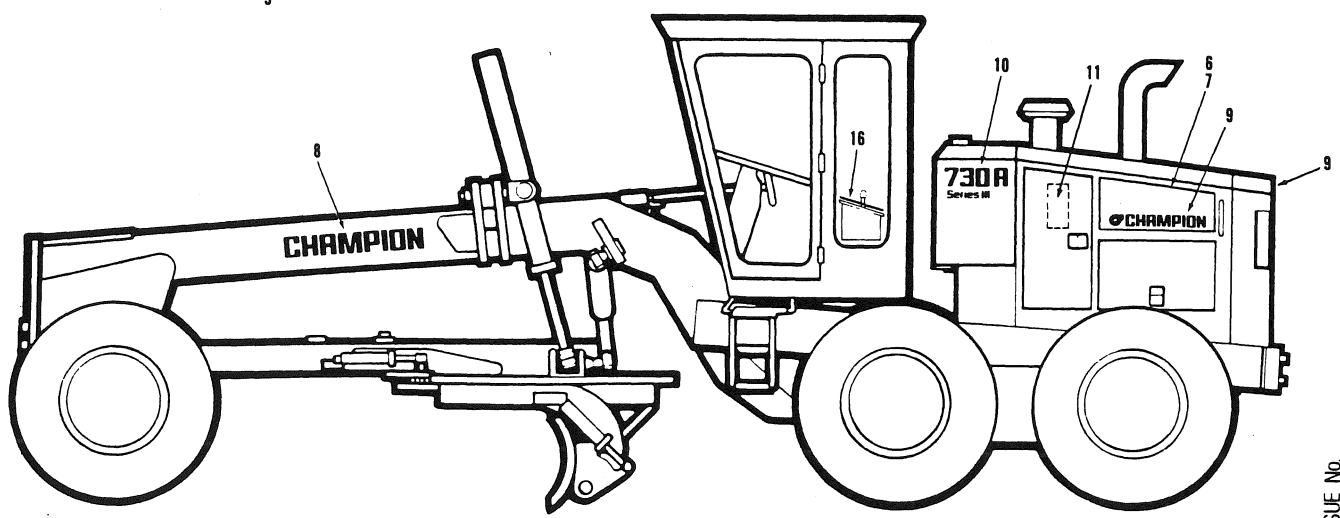
Telephone: 519-524-2601
Telex: 519-524-5175
Telefax: 069-55175-CHAMPARTS GDCH

Si des difficultés surviennent durant l'action de procurer des pièces de rechange ou de service pour votre niveleuse, S.V.P. adressez-vous à Champion Road Machinery, Goderich, Ontario, Canada.

Telephone: 519-524-2601
Telephonogram: 519-524-5175
Telefax: 069-55175-CHAMPARTS GDCH

En el caso de las dificultades cuando Usted obtiene los repuestos o el servicio para su motoniveladora los números para ponerse en contacto con Champion Road Machinery, Goderich, Ontario, Canada, son:

Telefono: 519-524-2601
Telefax: 519-524-5175
Telefax: 069-55175-CHAMPARTS GDCH



EFFECTIVE SERIAL NUMBER(S)
NUMERO(S) DE SÉRIE EFFECTIF(S)
NUMERO(S) DE SERIE EFECTIVO(S)

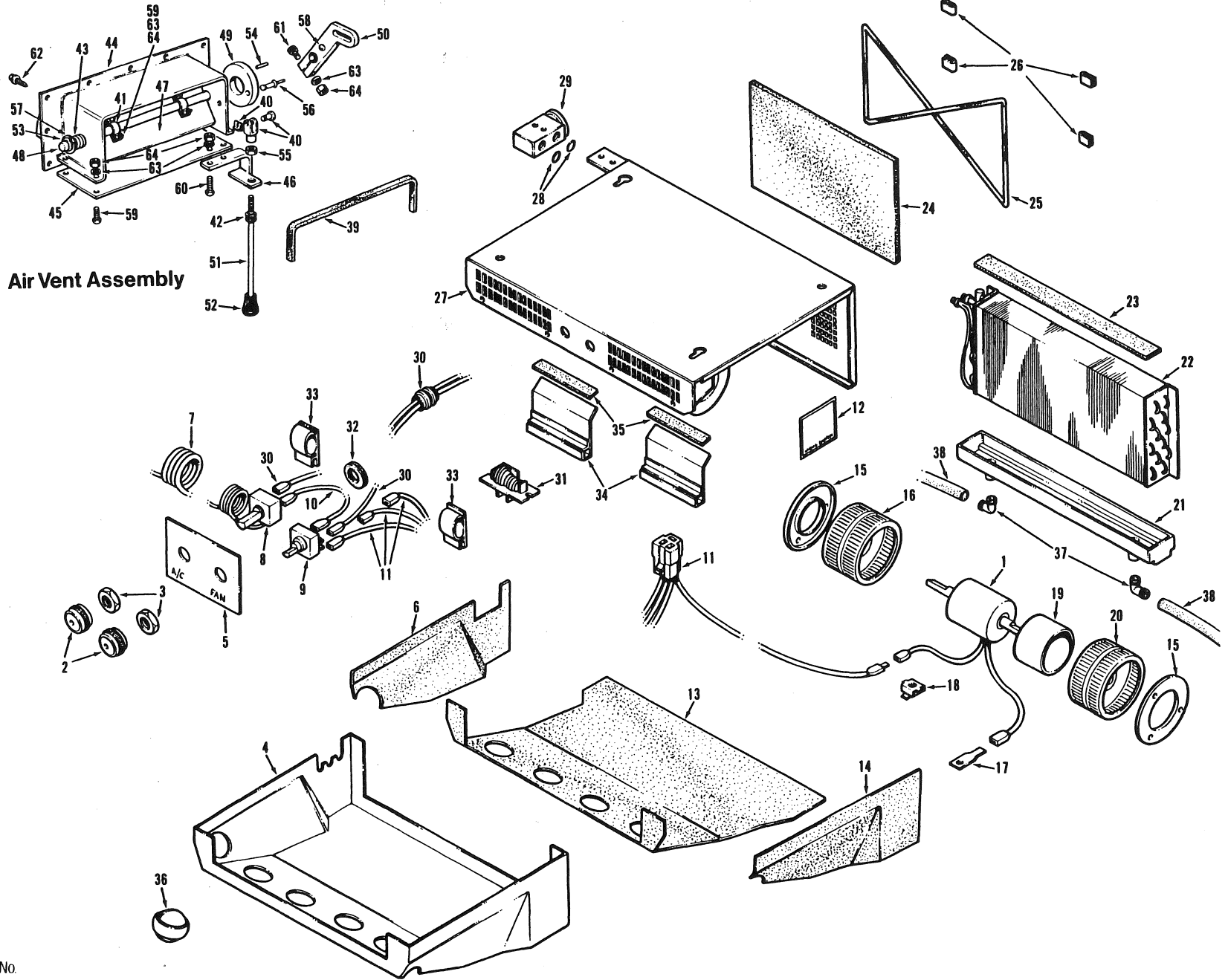
Models 710 thru 740A
21134 & UP

Models 750 thru 780A
21386 & UP

700 SERIES
SERIE 700

SECTION 11 PAGE 21
SECCION 11 PAGINA 21

SECTION SECCION		PAGE PAGINA		ISSUE No. N° D'ÉMISSION N° DE EDICION		DECALS			FEBRUARY 1991	
No. N°	PART No. N° DE PIÈCE N° DE PIEZA	DESCRIPTION DESCRIPTION DESCRIPCION	No. REQ. N° REQ. N° REQ.	REMARKS REMARQUES NOTAS	No. N°	PART No. N° DE PIÈCE N° DE PIEZA	DESCRIPTION DESCRIPTION DESCRIPCION	No. REQ. N° REQ. N° REQ.	REMARKS REMARQUES NOTAS	
1	11559	ENGINE COOLANT NOTICE - TRILINGUAL	1							
2	25747	"MADE IN CANADA"	1							
3	43666	DIFFERENTIAL LOCK/UNLOCK	1							
4	46629	ENGINE DE-AERATING	1	720 thru 730A						
5	49569	12 VOLT	1							
6	52902	PIN STRIPE - L.H.	1							
7	52903	PIN STRIPE - R.H.	1							
8	54710	CHAMPION - FRAME	2							
9	54711	CHAMPION - REAR GRILLE & SIDE	3	SEE NOTE 1						
10	54712	*710A* SERIES III	2	SEE NOTE 2						
	54713	*720A* SERIES III	2							
	54714	*730A* SERIES III	2							
	54715	*740A* SERIES III	2							
	54716	*750A* SERIES III	2							
11	54717	*780A* SERIES III	2							
	*57685	LUBRICATION CHART - ENGLISH	1							
	*57686	LUBRICATION CHART - FRENCH	1							
	*57687	LUBRICATION CHART - SPANISH	1							
12	30775	*4 + 2* - CONTROLS	1	ALL WHEEL DRIVE						
13	55306	*4 + 2* - FRAMES	4							
14	30791	*ZERO*	1							
15	30792	*MAX*	1							
16		TRANSMISSION CONTROLS	REF.	Sect 6 Pg 1						
17	43189	ARTICULATION INDICATOR	1	Sect 1 Pg 21						
18	57163	CHAMPION PHONE NUMBER DECAL	1							
	NOTE 1:	FOR REAR GRILLE REMOVE GEAR SYMBOL								
	NOTE 2:	FOR RIGID MACHINES REMOVE LETTER A								



Air Vent Assembly

ISSUE No.
N° D'ÉMISSION
N° DE EDICION

1 REVISION A

AIR CONDITIONER & AIR VENT ASSEMBLY

APRIL 1990

FOR LIST OF PARTS - TURN THIS PAGE

POUR LA LISTE DES PIÈCES - VOIR AU VERSO

PARA LA LISTA DE LAS PIEZAS - VER AL VERSO

U.S. 2021-2 to 2658-2

EFFECTIVE SERIAL NUMBER(S)
NUMEROSI DE SERIE EFFETTIVI(SI)
NUMEROSI DE SERIE EFFECTIVOS(S)

16224, 16245 & UP

700 SERIES
SERIE 700

SECTION 11
SECCION 11
PAGINA 23

23

SECTION SECCION		PAGE PAGINA		ISSUE No. N° D'ÉMISSION N° DE EDICION		1 REVISION A		AIR CONDITIONER & AIR VENT ASSEMBLY			APRIL 1990	
No. N° N°	PART No. N° DE PIÈCE N° DE PIEZA	DESCRIPTION DESCRIPTION DESCRIPCION	No. REQ N° REQ. N° REQ.	REMARKS REMARQUES NOTAS	No. N° N°	PART No. N° DE PIECE N° DE PIEZA	DESCRIPTION DESCRIPTION DESCRIPCION	No. REQ N° REQ. N° REQ.	REMARKS REMARQUES NOTAS			
	*52049	AIR CONDITIONER - 12 VOLT - INCLUDES ITEMS 1 TO 38					AIR VENT INSTALLATION					
	*55056	AIR CONDITIONER - 24 VOLT - INCLUDES ITEMS 1 TO 38			39	19176	WEATHER STRIP	1				
	37327	MOTOR - 12 VOLT	1		40	23544	CLEVIS ASSEMBLY C/W PIN AND CLIP RING	1				
1	*56863	MOTOR - 24 VOLT	1		41	23657	CLAMP	2				
2	37328	CONTROL KNOB	2		42	27846	GROMMET	1				
3	37329	CONTROL NUT	2		43	34561	SPRING	1				
4	37330	COVER	1		44	41386	AIR VENT HOUSING	1				
5	37331	CONTROL DECAL	1		45	41387	COVER PLATE	1				
6	37332	GASKET - COVER SIDE	1		46	41388	CONTROL ROD LOCATOR	1				
7	37333	INSULATION TUBING	1		47	41389	AIR VENT LOUVER	1				
8	37334	COLD CONTROL	1		48	41390	LOWER PIVOT ROD	1				
9	37335	SWITCH - FAN	1		49	41391	LOCATING RING	1				
10	37336	WIRE ASSEMBLY	1		50	41392	PIVOT ARM	1				
11	37337	WIRE HARNESS	1		51	41393	CONTROL ROD	1				
12	37339	WIRE DIAGRAM	1		52	41395	KNOB	1				
13	37340	COVER GASKET	1		53	19A-037	RETAINING RING	1				
14	37341	GASKET - SIDE COVER	1		54	13C-0416	ROLL PIN	2				
15	37342	FOIL	1		55	31A-04	NUT	1				
16	37343	WHEEL - BLOWER	1		56	75A-068	POP RIVET	2				
17	37344	TERMINAL	1		57	14C-06	FLATWASHER	1				
18	37345	CAGE NUT	1		58	55A-0803	DRIVE SCREW	1				
19	37346	INSULATOR - MOTOR	1		59	52L-1004	SCREW	7				
20	37347	WHEEL - BLOWER	1		60	52L-1006	SCREW	2				
21	37348	PAN, DRAIN ASSEMBLY	1		61	52D-1008	BOLT	1				
22	37349	COIL	1		62	62A-1006	SCREW	9				
23	37350	GASKET - COIL	1		63	14F-10	LOCKWASHER	8				
24	37351	FILTER	1		64	32A-10	NUT	8				
25	37352	CORD - FILTER	1									
26	37353	CLIP - CORD	4									
27	37354	WELDMENT - CASE	1									
28	37355	O RING	2									
29	37356	BLOCK VALVE	1									
30	37357	WIRE HARNESS	1									
31	37358	RESISTOR	1									
32	37359	GROMMET	1									
33	37360	CLIP - WIRE	2									
34	37361	WELDMENT - DEFLECTOR	2									
35	37362	GASKET - DEFLECTOR	2									
36	37363	BALL LOUVER	6									
37	37364	90° ELBOW	2									
38	50042 x 27	DRAIN HOSE	2									

CHAMPION ROAD MACHINERY

▲WARNING
Power assist for braking and steering only operates when engine is running. If engine stalls push brake pedal hard and/or use hand brake to stop grader.

SAFETY INSTRUCTIONS

- 1 Shift transmission to a low gear and use clutch pedal to start grader moving.
- 2 Use foot brake to stop and hold grader when transmission is in gear.
- 3 Set hand brake and lower moldboard and attachments before dismounting from grader. Lowering transmission in gear will not hold grader.
- 4 Release hand brake before moving grader.
- 5 Keep hand brake adjusted and check lever tension daily.
- 6 Do not coast down hills.

▲WARNING

Crush zone. Keep clear when engine is running.

▲WARNING

Accumulator contents under pressure. Service by qualified personnel only.

▲WARNING

Rotating fan, driveshaft and belts. Keep hands away when engine is running.

▲WARNING

Hot pressurized coolant. Remove cap only when engine is cool.

▲WARNING

Wear seat belt when operating the grader.

▲WARNING

Do not operate this machine until you have read and understood the instructions and warnings in the Champion Operator's Manual and the OMS Grader Safety Manual. Failure to follow the instructions of these warnings could result in injury or death. Proper care is your responsibility. Contact your distributor or Champion for replacement.

▲WARNING

Keep clear when engine is running or moldboard is off ground.

SAFETY INSTRUCTIONS

Use handholds and steps. Maintain 3 points of support.

▲WARNING

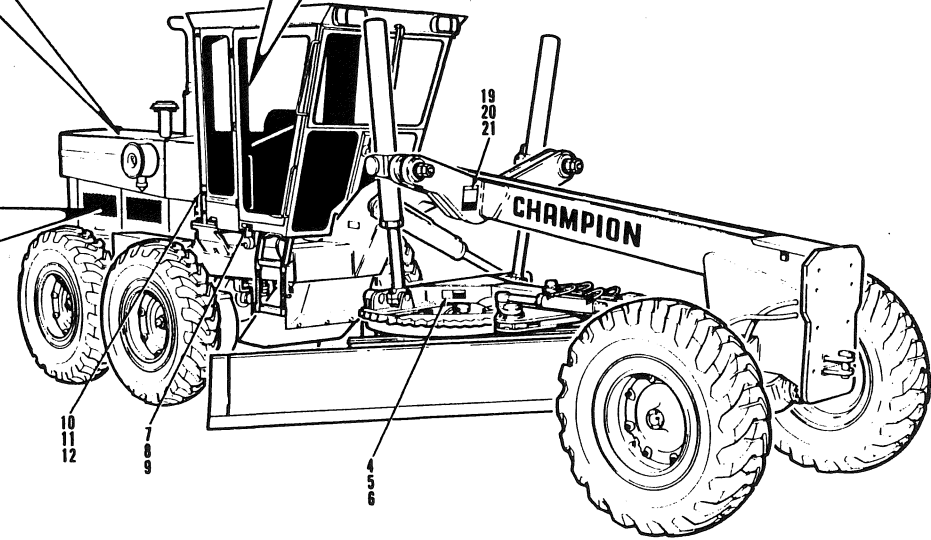
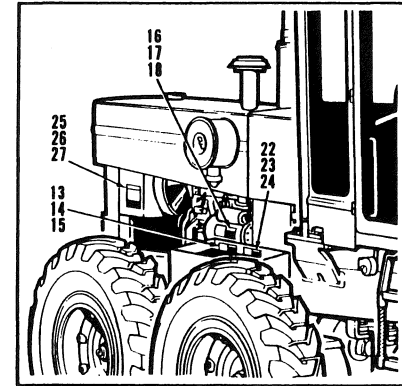
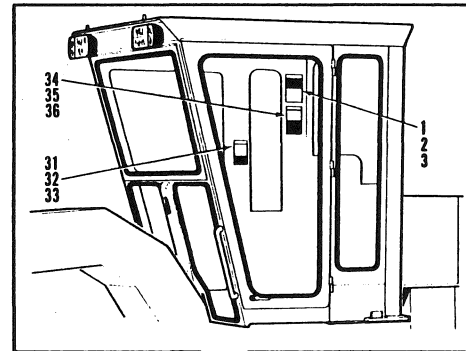
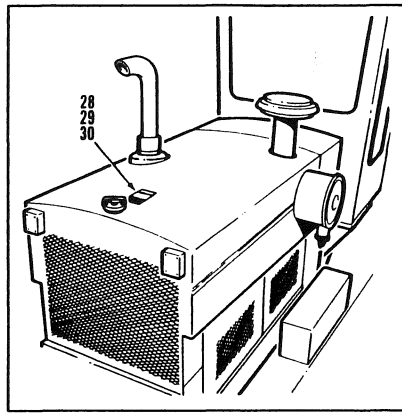
Equipped with 12/24 volt start system. Do not jump start. See Operator's Manual.

▲WARNING

Never short across starter terminals. Grader could move unexpectedly. See Operator's Manual.

▲WARNING

Explosive gases. No smoking. Keep sparks and flames away from batteries.



EFFECTIVE SERIAL NUMBERS) 19084 & UP
 NUMEROS) DE SERIE EFFECTIFS)
 NUMEROS) DE SERIE EFFECTIVOS)

700 SERIES
 SERIE 700

SECTION 11 PAGE 25
 SECCION 11 PAGINA 25

ISSUE No.
 N° D'ÉMISSION
 N° DE EDICION 1

SAFETY SIGN LABELS

JUNE 1988

FOR LIST OF PARTS - TURN THIS PAGE

POUR LA LISTE DES PIÈCES - VOIR AU VERSO

PARA LA LISTA DE LAS PIEZAS - VEDA AL VERSO

USE ONLY CHAMPION ROAD MACHINERY APPROVED PARTS

SECTION SECCION		PAGE PAGINA		ISSUE No. N° D'ÉMISSION N° DE EDICION		SAFETY SIGN LABELS				JUNE 1988	
No. N° N°	PART No. N° DE PIÈCE N° DE PIEZA	DESCRIPTION DESCRIPTION DESCRIPCION	No. REQ. N° REQ. N° REQ.	REMARKS REMARQUES NOTAS	No. N° N°	PART No. N° DE PIÈCE N° DE PIEZA	DESCRIPTION DESCRIPTION DESCRIPCION	No. REQ. N° REQ. N° REQ.	REMARKS REMARQUES NOTAS		
1	46502	WARNING - SAFETY INSTRUCTIONS - ENGLISH	1								
2	46503	WARNING - SAFETY INSTRUCTIONS - SPANISH	1								
3	46504	WARNING - SAFETY INSTRUCTIONS - FRENCH	1								
4	*48620	WARNING - CIRCLE & MOLDBOARD - ENGLISH	3								
5	*48820	WARNING - CIRCLE & MOLDBOARD - FRENCH	3								
6	*48831	WARNING - CIRCLE & MOLDBOARD - SPANISH	3								
7	*48621	SAFETY INSTRUCTIONS - USE HANDHOLDS - ENG.	2								
8	*48821	SAFETY INSTRUCTIONS - USE HANDHOLDS - FR.	2								
9	*48832	SAFETY INSTRUCTIONS - USE HANDHOLDS - SP.	2								
10	*48622	WARNING - CRUSH ZONE - ENGLISH	2								
11	*48824	WARNING - CRUSH ZONE - FRENCH	2								
12	*48835	WARNING - CRUSH ZONE - SPANISH	2								
13	*48623	WARNING - EQUIPPED WITH 12/24 VOLT - ENG.	2								
14	*48822	WARNING - EQUIPPED WITH 12/24 VOLT - FR.	2								
15	*48833	WARNING - EQUIPPED WITH 12/24 VOLT - SP.	2								
16	*48624	WARNING - NEVER SHORT STARTER - ENGLISH	1								
17	*48823	WARNING - NEVER SHORT STARTER - FRENCH	1								
18	*48834	WARNING - NEVER SHORT STARTER - SPANISH	1								
19	*48625	WARNING - ACCUMULATOR - ENGLISH	A.R.								
20	*48827	WARNING - ACCUMULATOR - FRENCH	A.R.								
21	*48838	WARNING - ACCUMULATOR - SPANISH	A.R.								
22	*48626	WARNING - EXPLOSIVE GASES - ENGLISH	A.R.								
23	*48828	WARNING - EXPLOSIVE GASES - FRENCH	A.R.								
24	*48839	WARNING - EXPLOSIVE GASES - SPANISH	A.R.								
25	*48627	WARNING - ROTATING FAN - ENGLISH	2								
26	*48829	WARNING - ROTATING FAN - FRENCH	2								
27	*48840	WARNING - ROTATING FAN - SPANISH	2								
28	*48628	WARNING - HOT PRESSURIZED COOLANT - ENG.	1								
29	*48830	WARNING - HOT PRESSURIZED COOLANT - FR.	1								
30	*48841	WARNING - HOT PRESSURIZED COOLANT - SP.	1								
31	*48629	WARNING - WEAR SEAT BELT - ENGLISH	1								
32	*48825	WARNING - WEAR SEAT BELT - FRENCH	1								
33	*48836	WARNING - WEAR SEAT BELT - SPANISH	1								
34	*48630	WARNING - DO NOT OPERATE - ENGLISH	1								
35	*48826	WARNING - DO NOT OPERATE - FRENCH	1								
36	*48837	WARNING - DO NOT OPERATE - SPANISH	1								
	*49830	SAFETY SIGN LABEL KIT - ENGLISH	1								
	*49831	SAFETY SIGN LABEL KIT - FRENCH	1								
	*49832	SAFETY SIGN LABEL KIT - SPANISH	1								

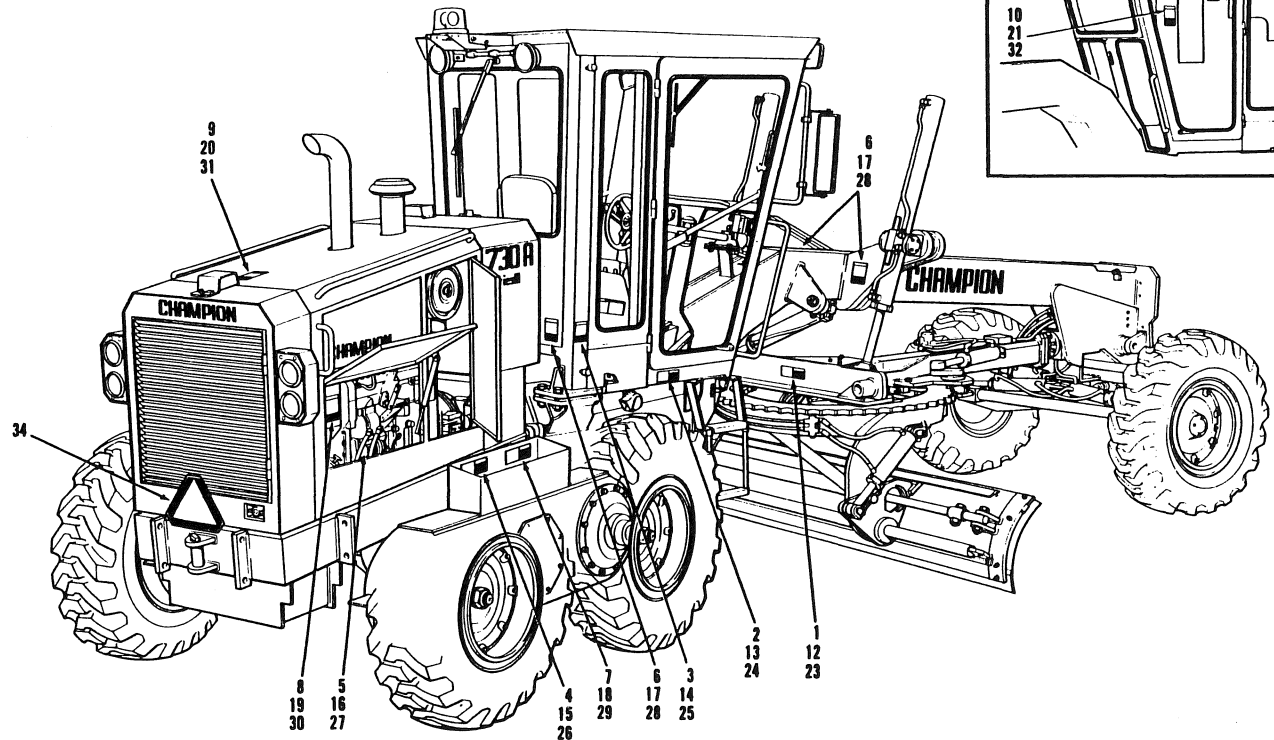
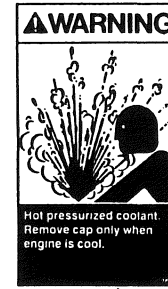
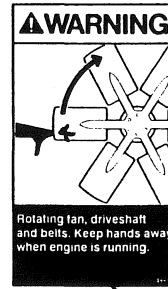
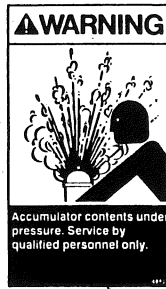
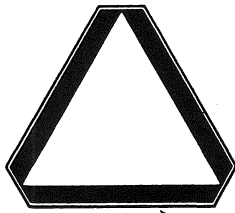
CHAMPION ROAD MACHINERY

EFFECTIVE SERIAL NUMBER(S)
NUMEROS DE SERIE EFFECTIFS
NUMEROS DE SERIE EFFECTIVOS

20265 & UP

700 SERIES
SERIE 700

SECTION 11 PAGE 25
SECTION 11 PAGINA 25



ISSUE No.
N° D'ÉMISSION
N° DE EDICION 2

SAFETY SIGNS

FEBRUARY 1990


FOR LIST OF PARTS - TURN THIS PAGE

POUR LA LISTE DES PIÈCES - VOIR AU VERSO


PARA LA LISTA DE LAS PIEZAS - VER AL VERSO

USE ONLY CHAMPION APPROVED PARTS


SECTION SECCION		PAGE PAGINA		ISSUE No. N° D'ÉMISSION N° DE EDICION		SAFETY SIGNS			FEBRUARY 1990	
No. N° N°	PART No. N° DE PIÈCE N° DE PIEZA	DESCRIPTION DÉSCRIPTION DESCRIPCION	No. REQ. N° REQ. N° REQ.	REMARKS REMARQUES NOTAS	No. N° N°	PART No. N° DE PIECE N° DE PIEZA	DESCRIPTION DÉSCRIPTION DESCRIPCION	No. REQ. N° REQ. N° REQ.	REMARKS REMARQUES NOTAS	
ENGLISH										
1	48620	WARNING - CIRCLE & MOLDBOARD	3							
2	48621	SAFETY INSTRUCTIONS - USE HANDHOLDS	2							
3	48622	WARNING - CRUSH ZONE	2							
4	48623	WARNING - EQUIPPED WITH 12/24 VOLT	2							
5	48624	WARNING - NEVER SHORT STARTER	1							
6	48625	WARNING - ACCUMULATOR	2, 4, or 5							
7	48626	WARNING - EXPLOSIVE GASES	1 or 2							
8	48627	WARNING - ROTATING FAN	2							
9	48628	WARNING - HOT PRESSURIZED COOLANT	1							
10	48629	WARNING - WEAR SEAT BELT	1							
11	48630	WARNING - DO NOT OPERATE	1							
ENGLISH/FRENCH										
12	53728	WARNING - CIRCLE & MOLDBOARD	3							
13	53729	SAFETY INSTRUCTIONS - USE HANDHOLDS	2							
14	53730	WARNING - CRUSH ZONE	2							
15	53731	WARNING - EQUIPPED WITH 12/24 VOLT	2							
16	53732	WARNING - NEVER SHORT STARTER	1							
17	53733	WARNING - ACCUMULATOR	2, 4, or 5							
18	53734	WARNING - EXPLOSIVE GASES	1 or 2							
19	53735	WARNING - ROTATING FAN	2							
20	53736	WARNING - HOT PRESSURIZED COOLANT	1							
21	53737	WARNING - WEAR SEAT BELT	1							
22	53738	WARNING - DO NOT OPERATE	1							
ENGLISH/SPANISH										
23	53739	WARNING - CIRCLE & MOLDBOARD	3							
24	53740	SAFETY INSTRUCTIONS - USE HANDHOLDS	2							
25	53741	WARNING - CRUSH ZONE	2							
26	53742	WARNING - EQUIPPED WITH 12/24 VOLT	2							
27	53743	WARNING - NEVER SHORT STARTER	1							
28	53744	WARNING - ACCUMULATOR	2, 4, or 5							
29	53745	WARNING - EXPLOSIVE GASES	1 or 2							
30	53746	WARNING - ROTATING FAN	2							
31	53747	WARNING - HOT PRESSURIZED COOLANT	1							
32	53748	WARNING - WEAR SEAT BELT	1							
33	53749	WARNING - DO NOT OPERATE	1							
34	*51484	SLOW MOVING VEHICLE SIGN	1							
	*38292	SAFETY SIGN KIT - ENGLISH	1							
	*38293	SAFETY SIGN KIT - ENGLISH/FRENCH	1							
	*38294	SAFETY SIGN KIT - ENGLISH/SPANISH	1							




▲WARNING
Keep clear when engine is running or moldboard is off ground.




▲WARNING
Crush zone. Keep clear when engine is running.




▲WARNING
Rotating fan, driveshaft and belts. Keep hands away when engine is running.




▲WARNING
Hot pressurized coolant. Remove cap only when engine is cool.




▲WARNING
Wear seat belt when operating the grader.




▲WARNING
Do not operate this machine unless you have read and understood the instructions and warnings in the Champion Operator's Manual and the CIMA Grader Safety Manual. Failure to follow the instructions or heed the warnings could result in injury or death. Proper care is your responsibility. Contact your distributor or Champion for replacement literature and parts.




SAFETY INSTRUCTIONS
Use handholds and steps. Maintain 3 points of support.




▲WARNING
Equipped with 12/24 volt start system. Do not jump start. See Operator's Manual.



▲WARNING
Never short across starter terminals. Grader could move unexpectedly. See Operator's Manual.



▲WARNING
Explosive gases. No smoking. Keep sparks and flames away from batteries.



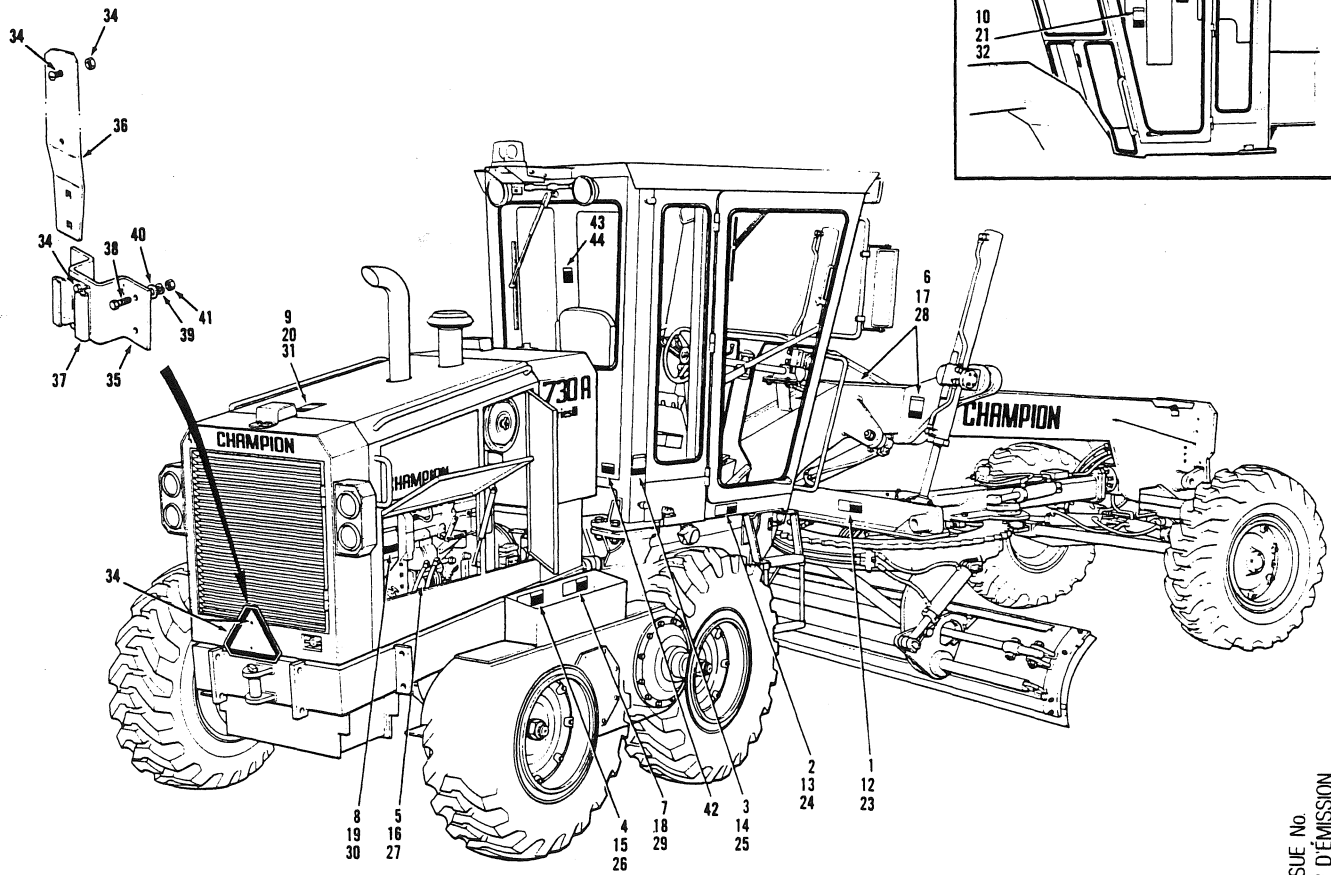
▲WARNING
Accumulator contents under pressure. Service by qualified personnel only.

SAFETY INSTRUCTIONS
This vehicle is equipped with **OIL DISC BRAKES**. See Lubrication instructions for important service information.

SAFETY INSTRUCTIONS
This vehicle is equipped with **DRUM BRAKES**. See Lubrication instructions for important service information.

▲WARNING
Use only petroleum base fluid in the brake reservoir. Other liquids may cause brake failure. Severe personal injury or death could result. See Operator's Manual for fluid options.

CHAMPION ROAD MACHINERY



EFFECTIVE SERIAL NUMBER(S)
 NUMERO(S) DE SÉRIE EFFECTIF(S)
 NUMERO(S) DE SÉRIE EFECTIVO(S)

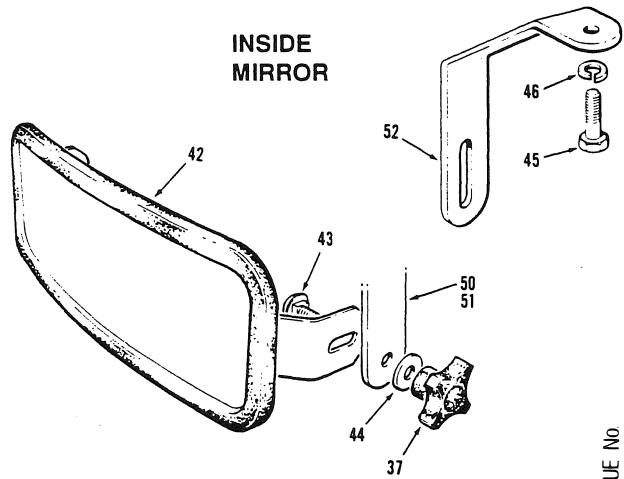
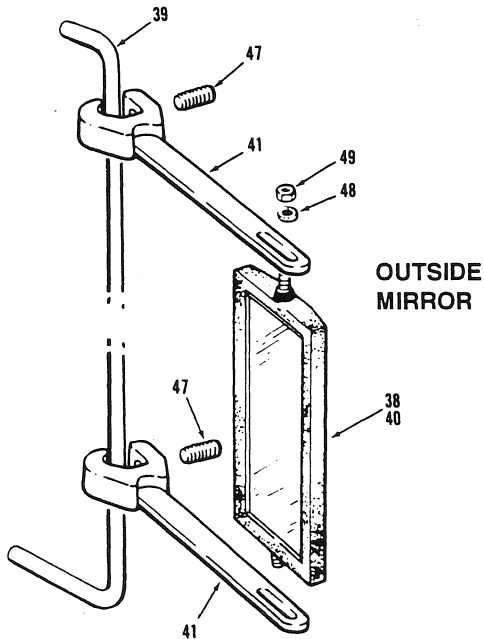
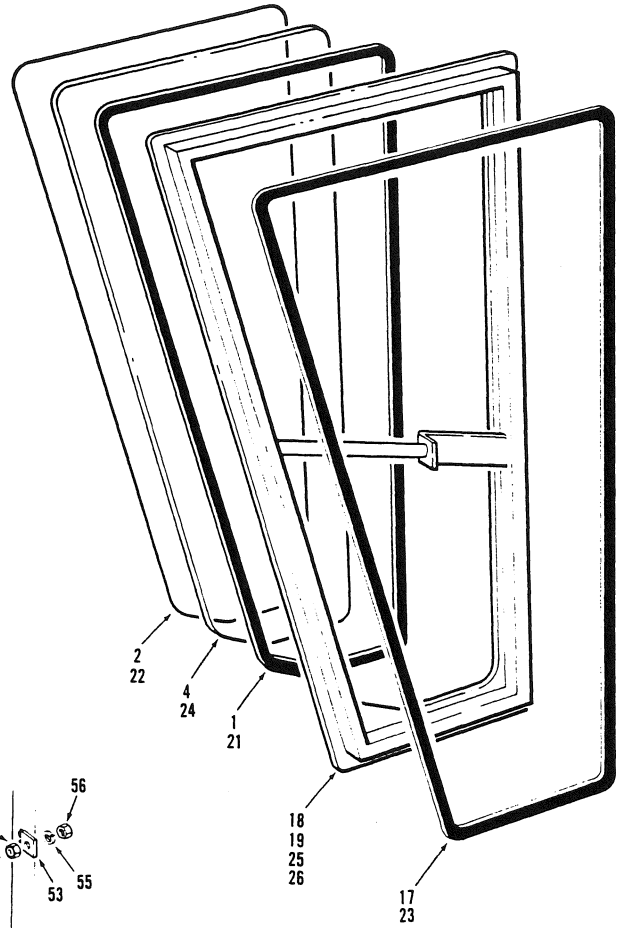
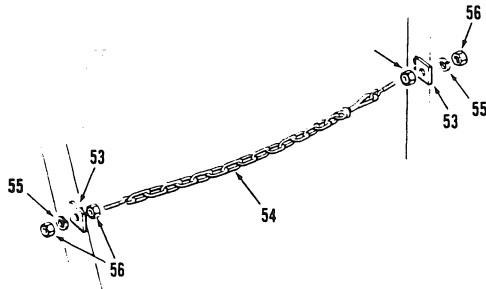
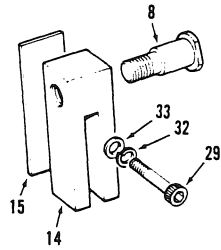
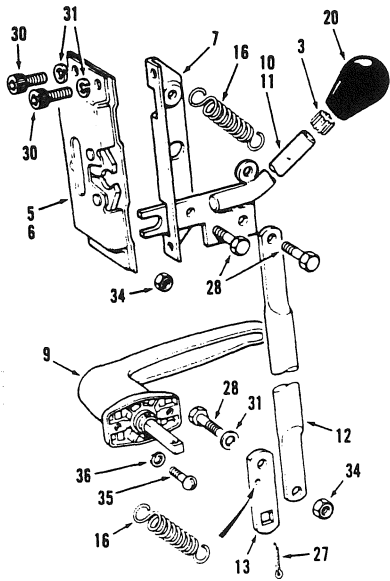
Models 710 thru 740A
 21134 & UP
 Models 750 thru 780A
 21386 & UP

700 SERIES
SERIE 700

SECTION 11 **PAGE 25**
SECCION 11 **PAGINA 25**

SECTION 11		PAGE 26	ISSUE No. N° D'ÉMISSION N° DE EDICION	3 REVISION A	SAFETY SIGNS			JUNE 1991	
No. N° N°	PART No. N° DE PIÈCE N° DE PIEZA	DESCRIPTION DÉSCRIPTION DESCRIPCION	No. REQ N° REQ. N° REQ.	REMARKS REMARQUES NOTAS	No. N° N°	PART No. N° DE PIECE N° DE PIEZA	DESCRIPTION DÉSCRIPTION DESCRIPCION	No. REQ N° REQ. N° REQ.	REMARKS REMARQUES NOTAS
ENGLISH									
1	48620	WARNING - CIRCLE & MOLDBOARD	3		42	58441	WARNING - OIL DISC BRAKES - ENGLISH	1	
2	48621	SAFETY INSTRUCTIONS - USE HANDHOLDS	2			58442	WARNING - OIL DISC BRAKES - FRENCH	1	
3	48622	WARNING - CRUSH ZONE	2			58443	WARNING - OIL DISC BRAKES - SPANISH	1	
4	48623	WARNING - EQUIPPED WITH 12/24 VOLT	2		43	58616	SAFETY INSTRUCTIONS - OIL DISC BRAKES - ENGLISH	2	
5	48624	WARNING - NEVER SHORT STARTER	1			58617	SAFETY INSTRUCTIONS - OIL DISC BRAKES - FRENCH	2	
6	48625	WARNING - ACCUMULATOR	2 or 3			58618	SAFETY INSTRUCTIONS - OIL DISC BRAKES - SPANISH	2	
7	48626	WARNING - EXPLOSIVE GASES	1 or 2		44	58619	SAFETY INSTRUCTIONS - DRUM BRAKES - ENGLISH	2	
8	48627	WARNING - ROTATING FAN	2			58620	SAFETY INSTRUCTIONS - DRUM BRAKES - FRENCH	2	
9	48628	WARNING - HOT PRESSURIZED COOLANT	1			58621	SAFETY INSTRUCTIONS - DRUM BRAKES - SPANISH	2	
10	48629	WARNING - WEAR SEAT BELT	1			38292	SAFETY SIGN KIT - ENGLISH	1	
11	48630	WARNING - DO NOT OPERATE	1			38293	SAFETY SIGN KIT - ENGLISH/FRENCH	1	
						38294	SAFETY SIGN KIT - ENGLISH/SPANISH	1	
ENGLISH/FRENCH									
12	53728	WARNING - CIRCLE & MOLDBOARD	3						
13	53729	SAFETY INSTRUCTIONS - USE HANDHOLDS	2						
14	53730	WARNING - CRUSH ZONE	2						
15	53731	WARNING - EQUIPPED WITH 12/24 VOLT	2						
16	53732	WARNING - NEVER SHORT STARTER	1						
17	53733	WARNING - ACCUMULATOR	2 or 3						
18	53734	WARNING - EXPLOSIVE GASES	1 or 2						
19	53735	WARNING - ROTATING FAN	2						
20	53736	WARNING - HOT PRESSURIZED COOLANT	1						
21	53737	WARNING - WEAR SEAT BELT	1						
22	53738	WARNING - DO NOT OPERATE	1						
ENGLISH/SPANISH									
23	53739	WARNING - CIRCLE & MOLDBOARD	3						
24	53740	SAFETY INSTRUCTIONS - USE HANDHOLDS	2						
25	53741	WARNING - CRUSH ZONE	2						
26	53742	WARNING - EQUIPPED WITH 12/24 VOLT	2						
27	53743	WARNING - NEVER SHORT STARTER	1						
28	53744	WARNING - ACCUMULATOR	2 or 3						
29	53745	WARNING - EXPLOSIVE GASES	1 or 2						
30	53746	WARNING - ROTATING FAN	2						
31	53747	WARNING - HOT PRESSURIZED COOLANT	1						
32	53748	WARNING - WEAR SEAT BELT	1						
33	53749	WARNING - DO NOT OPERATE	1						
34	51484	SLOW MOVING VEHICLE SIGN	1						
35	*38715	BRACKET	1						
36	*57043	BRACKET	1						
37	*57044	SOCKET	1						
38	*50A-0404	BOLT	4						
39	*14A-04	LOCKWASHER	4						
40	*14C-04	FLATWASHER	4						
41	*30A-04	NUT	4						

CHAMPION ROAD MACHINERY



DECEMBER 1991

CAB DOORS & MIRRORS

FOR LIST OF PARTS - TURN THIS PAGE

1 REVISION A

PARA LA LISTA DE LAS PIEZAS - VEA AL VERSO

POUR LA LISTE DES PIÈCES - VOIR AU VERSO

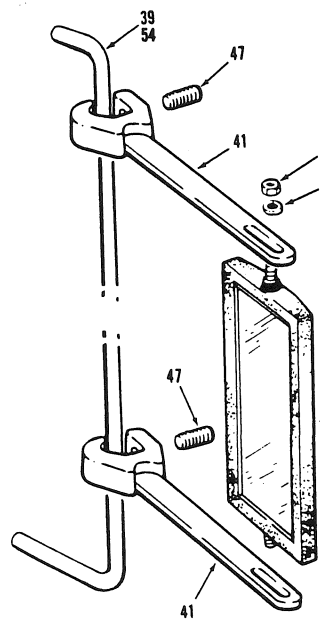
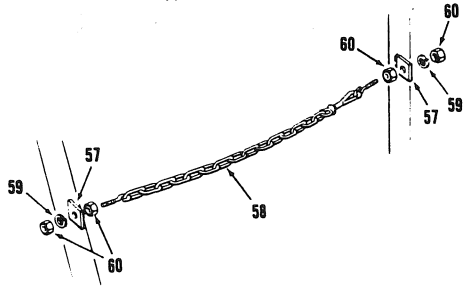
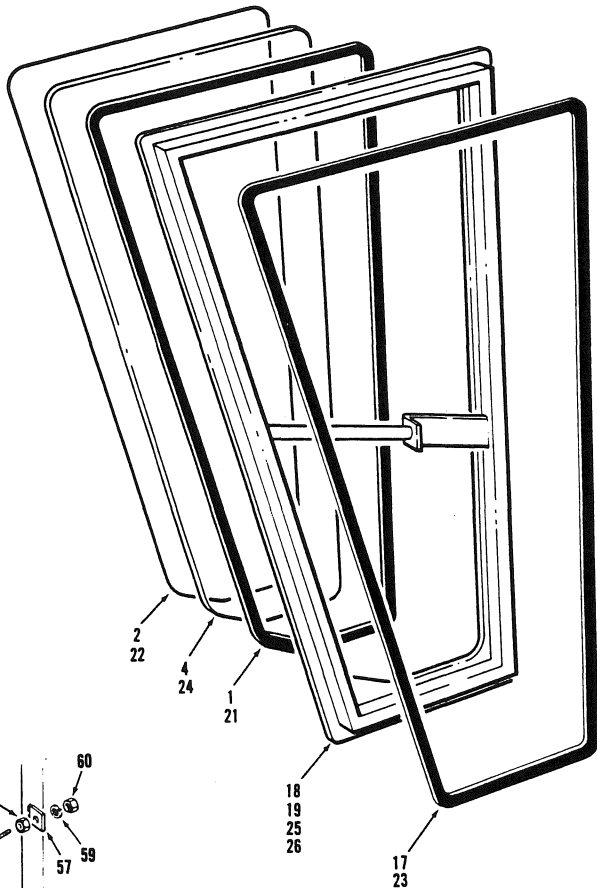
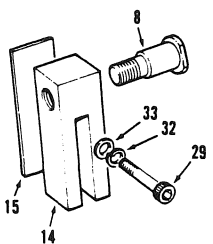
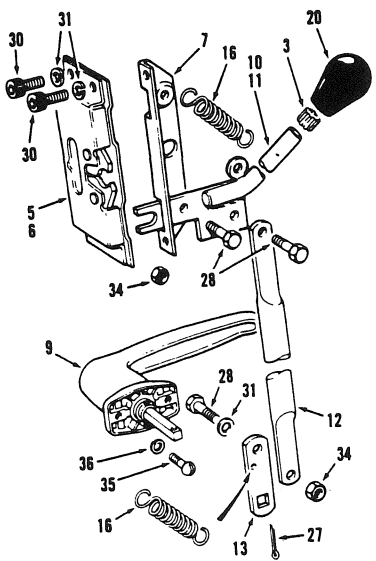
ISSUE NO.
N° D'ÉMISSION
N° DE EDICIÓN

EFFECTIVE SERIAL NUMBER(S) 21003 TO21272,
NUMERO(S) DE SÉRIE EFFECTIF(S) 21277 TO21280 & 21282
NUMERO(S) DE SERIE EFECTIVO(S)

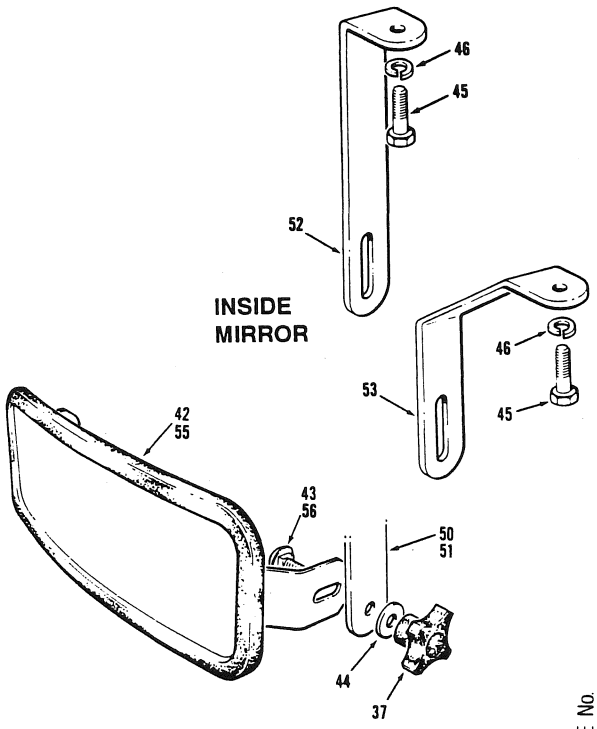
700 SERIES
SERIE 700

SECTION 11 PAGE 27
SECCION 11 PAGINA 27

SECTION SECCION		PAGE PAGINA		ISSUE No. N° D'ÉMISSION N° DE EDICION		1 REVISION A		CAB DOORS & MIRRORS		DECEMBER 1991	
No. N° Nº	PART No. N° DE PIÈCE N° DE PIEZA	DESCRIPTION DÉSCRIPTION DESCRIPCION	No. REQ. N° REQ. N° REQ.	REMARKS REMARQUES NOTAS	No. N° Nº	PART No. N° DE PIECE N° DE PIEZA	DESCRIPTION DÉSCRIPTION DESCRIPCION	No. REQ. N° REQ. N° REQ.	REMARKS REMARQUES NOTAS		
CAB DOORS					MIRROR INSTALLATIONS						
1	15388 x 192	RUBBER CHANNEL	2		37	19890	KNOB	2			
2	15388 x 192	LOCKING STRIP	2		38	8596A	MIRROR - OUTSIDE	1 or 2			
3	17588	INSERT	2		39	28656-1	BRACKET	2			
4	28574	GLASS	2		40	32757	MIRROR - OUTSIDE - DEFROSTER	1 or 2			
5	28577	LATCH - R.H.	1		41	57325	BRACKET - OUTSIDE - C/W ITEM 47	2			
6	28578	LATCH - L.H.	1		42	57357	MIRROR - INSIDE	1			
7	28579	MOUNTING PLATE	2		43	57374	BOLT	2			
8	28580	STRIKER PIN	2		44	14C-06 Zi	WASHER	2			
9	28581	HANDLE	2		45	50A-0606 Zi	BOLT - LOW PROFILE CAB	2			
10	28582	LEVER - L.H.	1		46	14A-06 Zi	LOCKWASHER - LOW PROFILE CAB	2			
11	28583	LEVER - R.H.	1		47	70F-0616	SET SCREW	4			
12	28586	ROD	2		48	14A-05	LOCKWASHER	4			
13	28588	LEVER	2		49	30A-05	NUT	4			
14	28597	BLOCK - DOOR LATCH	2								
15	28598	SHIM	4		50	57356	BRACKET	2			
16	28630	SPRING	4		51	57373	BRACKET - AIR CONDITIONER	2			
17	45378 x 210	WEATHER SEAL	2		52	57679	BRACKET - LOW PROFILE CAB	2			
18	46753	DOOR - R.H.	1								
19	46754	DOOR - L.H.	1								
20	48556	KNOB	2								
21	15386 x 168	RUBBER CHANNEL - LOW PROFILE CAB	2		53	23257	LUG	4			
22	15388 x 168	LOCKING STRIP - LOW PROFILE CAB	2		54	27217	SAFETY CHAIN	2			
23	45378 x 186	WEATHER SEAL - LOW PROFILE CAB	2		55	14A-06	LOCKWASHER	4			
24	56503	GLASS - LOW PROFILE CAB	2		56	30A-06	NUT	8			
25	57056	DOOR - R.H. - LOW PROFILE CAB	1								
26	57057	DOOR - L.H. - LOW PROFILE CAB	1								
27	13A-0212	COTTER PIN	2								
28	50A-0406	BOLT	6								
29	50A-0410	BOLT	4								
30	50D-0408	BOLT	4								
31	14A-04	LOCKWASHER	6								
32	14C-04	FLATWASHER	4								
33	14J-04	LOCKWASHER	4								
34	36D-04	LOCKNUT	6								
35	52L-0803	MACHINE SCREW	4								
36	14F-08	LOCKWASHER	4								



OUTSIDE MIRROR



INSIDE MIRROR

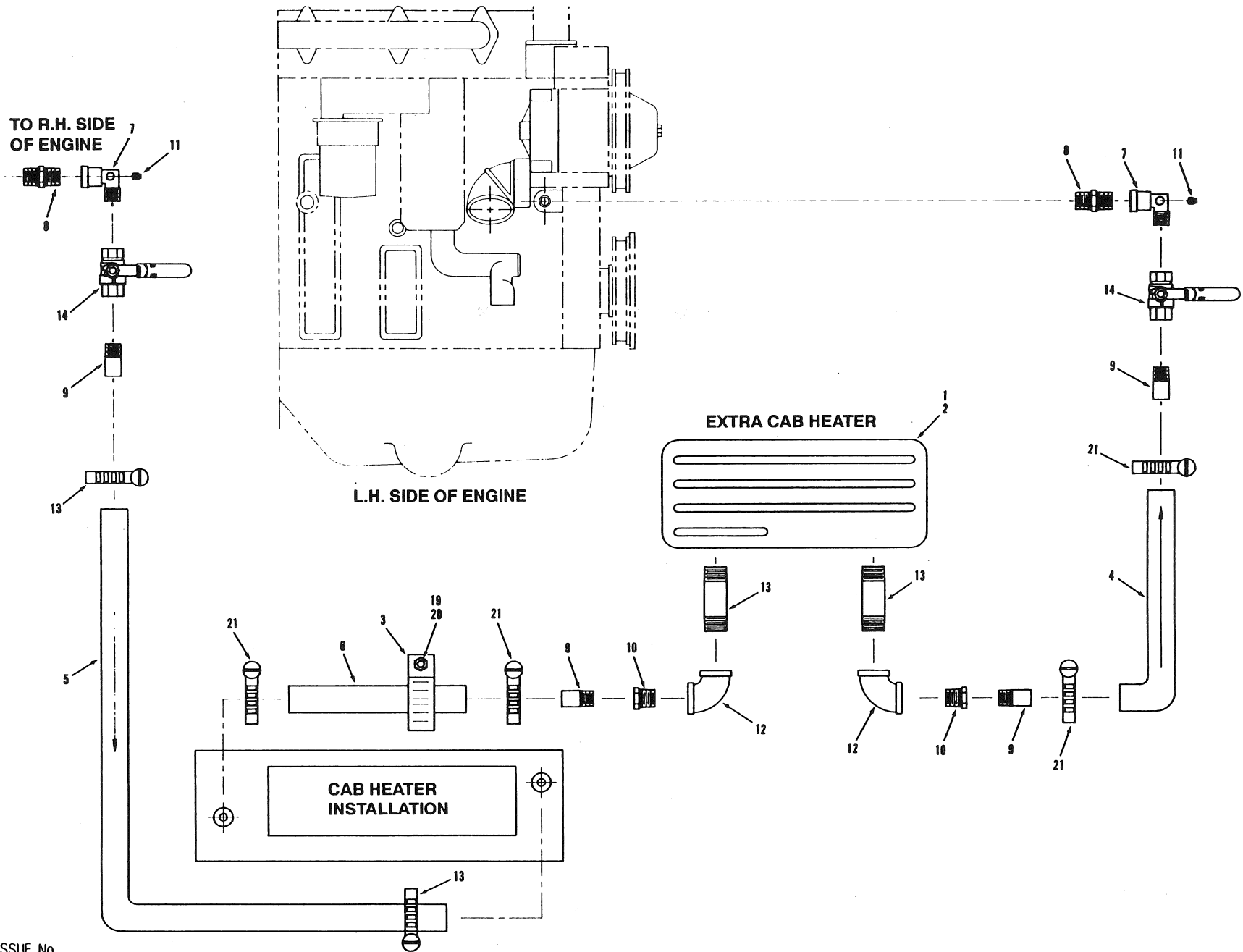
EFFECTIVE SERIAL NUMBER(S) 21273 & UP
 NUMERO(S) DE SÉRIE EFFECTIF(S) EXCLUDING 21277 to 21280
 NUMERO(S) DE SERIE EFECTIVO(S) & 21282

700 SERIES
 SERIE 700

SECTION 11 PAGE 27
 SECCION 11 PAGINA 27

ISSUE No.
 N° D'ÉMISSION
 N° DE EDICION

SECTION SECCION		PAGE PAGINA		ISSUE No. N° D'ÉMISSION N° DE EDICION		CAB DOORS & MIRRORS			JUNE 1991	
No. N° N°	PART No. N° DE PIÈCE N° DE PIEZA	DESCRIPTION DÉSCRIPTION DESCRIPCION	No. REQ N° REQ. N° REQ.	REMARKS REMARQUES NOTAS	No. N° N°	PART No. N° DE PIÈCE N° DE PIEZA	DESCRIPTION DÉSCRIPTION DESCRIPCION	No. REQ N° REQ. N° REQ.	REMARKS REMARQUES NOTAS	
CAB DOORS					MIRROR INSTALLATIONS					
1	15386 x 192	RUBBER CHANNEL	2		37	19890	KNOB	2		
2	15388 x 192	LOCKING STRIP	2		38	8596A	MIRROR - OUTSIDE	1 or 2		
3	17588	INSERT	2		39	28656-1	BRACKET	2		
4	28574	GLASS	2		40	32757	MIRROR - OUTSIDE - DEFROSTER	1 or 2		
5	28577	LATCH - R.H.	1		41	57325	BRACKET - OUTSIDE - C/W ITEM 47	2		
6	28578	LATCH - L.H.	1		42	57357	MIRROR - INSIDE	1		
7	28579	MOUNTING PLATE	2		43	57374	BOLT	2		
8	28580	STRIKER PIN	2		44	14C-06 Zi	WASHER	2		
9	28581	HANDLE	2		45	50A-0606 Zi	BOLT - LOW PROFILE CAB	2		
10	28582	LEVER - L.H.	1		46	14A-06 Zi	LOCKWASHER - LOW PROFILE CAB	2		
11	28583	LEVER - R.H.	1		47	70F-0616	SET SCREW	4		
12	28586	ROD	2		48	14A-05	LOCKWASHER	4		
13	28588	LEVER	2		49	30A-05	NUT	4		
14	28597	BLOCK - DOOR LATCH	2							
15	28598	SHIM	4		50	57356	BRACKET	2		
16	28630	SPRING	4		51	57373	BRACKET - AIR CONDITIONER	2		
17	45378 x 210	WEATHER SEAL	2		52	*65192	BRACKET - LOW PROFILE CAB	2		
18	46753	DOOR - R.H.	1		53	*65193	BRACKET - LOW PROFILE CAB - AIR CONDITIONER	2		
19	46754	DOOR - L.H.	1		54	*57776	BRACKET - LOW PROFILE CAB	2		
20	48556	KNOB	2		55	*65171	MIRROR - INSIDE - LOW PROFILE CAB	1		
21	15386 x 168	RUBBER CHANNEL - LOW PROFILE CAB	2		56	*40G-0672Zi	BOLT - LOW PROFILE CAB	2		
22	15388 x 168	LOCKING STRIP - LOW PROFILE CAB	2							
23	45378 x 186	WEATHER SEAL - LOW PROFILE CAB	2							
24	56503	GLASS - LOW PROFILE CAB	2							
25	57056	DOOR - R.H. - LOW PROFILE CAB	1		57	23257	LUG	4		
26	57057	DOOR - L.H. - LOW PROFILE CAB	1		58	27217	SAFETY CHAIN	2		
					59	14A-06	LOCKWASHER	4		
					60	30A-06	NUT	8		
27	13A-0212	COTTER PIN	2							
28	50A-0406	BOLT	6							
29	50A-0410	BOLT	4							
30	50D-0408	BOLT	4							
31	14A-04	LOCKWASHER	6							
32	14C-04	FLATWASHER	4							
33	14J-04	LOCKWASHER	4							
34	36D-04	LOCKNUT	6							
35	52L-0803	MACHINE SCREW	4							
36	14F-08	LOCKWASHER	4							
DOOR SAFETY CHAIN INSTALLATION										



ISSUE No.
 N° D'ÉMISSION
 N° DE EDICION 1

CAB HEATER - EXTRA

JUNE 1991

FOR LIST OF PARTS - TURN THIS PAGE

POUR LA LISTE DES PIÈCES - VOIR AU VERSO

PARA LA LISTA DE LAS PIEZAS - VER AL VERSO

USE ONLY CHAMPION ROAD MACHINERY APPROVED PARTS

EFFECTIVE SERIAL NUMBER(S)
 NUMEROS DE SERIE EFFETIFS(S)
 NUMEROS DE SERIE EFECTIVOS(S)

20602 & UP

700 SERIES
 SERIE 700

SECTION 11 PAGE
 SECCION 11 PAGINA
 29

SECTION SECCION 11		PAGE PAGINA 30	ISSUE No. N° D'ÉMISSION N° DE EDICION 1	CAB HEATER - EXTRA			JUNE 1991		
No. N° N°	PART No. N° DE PIÈCE N° DE PIEZA	DESCRIPTION DÉSCRIPTION DESCRIPCION	No. REQ. N° REQ. N° REQ.	REMARKS REMARQUES NOTAS	No. N° N°	PART No. N° DE PIECE N° DE PIEZA	DESCRIPTION DÉSCRIPTION DESCRIPCION	No. REQ. N° REQ. N° REQ.	REMARKS REMARQUES NOTAS
1	35586	HEATER	1						
2	46799	CORE - HEATER	1						
3	32320	CLAMP	3						
4	34749 x 120	HOSE	1						
5	34749 x 20	HOSE	1						
6	34749 x 60	HOSE	1						
7	41161	ELBOW	2						
8	115A-0808	CONNECTOR	2						
9	115AA-0804	HALF NIPPLE	4						
10	115B-1208	BUSHING	2						
11	115E-04	PLUG	2						
12	115K-12	ELBOW	2						
13	115Z-1204	NIPPLE	2						
14	117B-08	GATE VALVE	2						
15	50A-0412	BOLT	4						
16	14A-04	LOCKWASHER	4						
17	14C-04	FLATWASHER	4						
18	30A-04	NUT	4						
19	14A-05	LOCKWASHER	3						
20	30A-06	NUT	3						
21	22C-10	CLAMP	6						